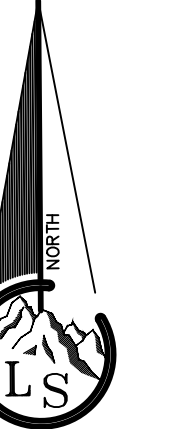


Landmark Surveying, Inc.
A Complete Land Surveying Service
www.LandmarkSurveyUtah.com
4646 South 3500 West - #A-3
West Haven, UT 84401
801-731-4075

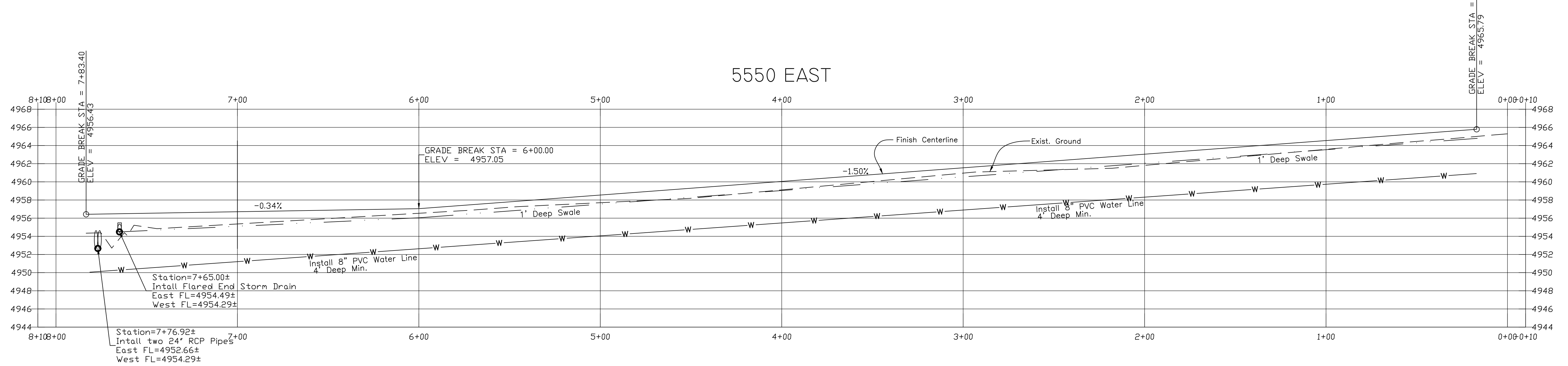
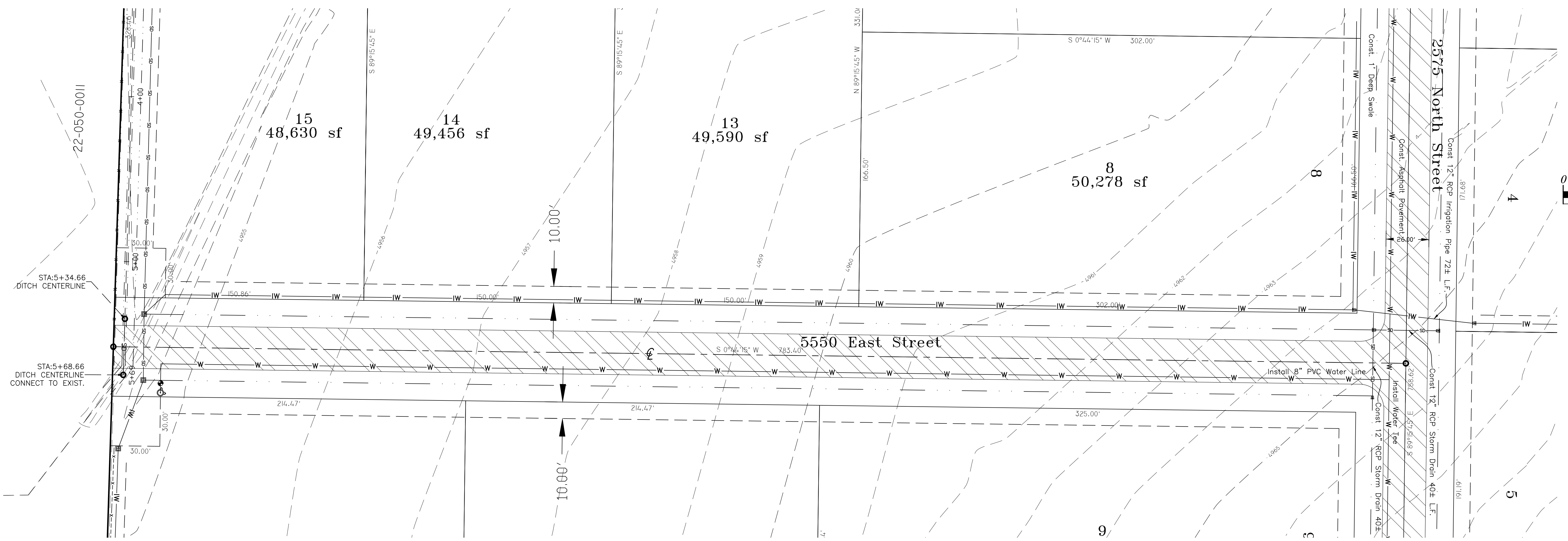
CLIENT: Dog and Bone LLC
Contractor:
Address:
SUBDIVISION
Part of the NW 1/4 of Section 35, T7N, R1E, SLB&M
Eden, Weber Co, UT
ROAD PROFILE

Revisions	CHECKED BY: XX	DATE: 9/15/2023
	DRAWN BY: TK	PROJ: 4413

This plot and associated documents are "PRELIMINARY NOT FINAL" and subject to change without a valid signature and date across the Professional Engineer's seal in accordance with R156-22-601 of the Utah Administrative Code of the Utah Department of Commerce, Division of Occupational and Professional Licensing. If this document is unsigned it is a Preliminary document(s) and is not intended for and shall not be used in Construction, nor to be Recorded or Filed, nor implemented or used as a Final Product.



Scale ~ 1" = 30'
0 30 60



Landmark Surveying, Inc.
A Complete Land Surveying Service
www.LandmarkSurveyUtah.com

4646 South 3500 West - #A-3
West Haven, UT 84401
801-731-4075

CLIENT: Dog and Bone LLC
Contractor:
Address:

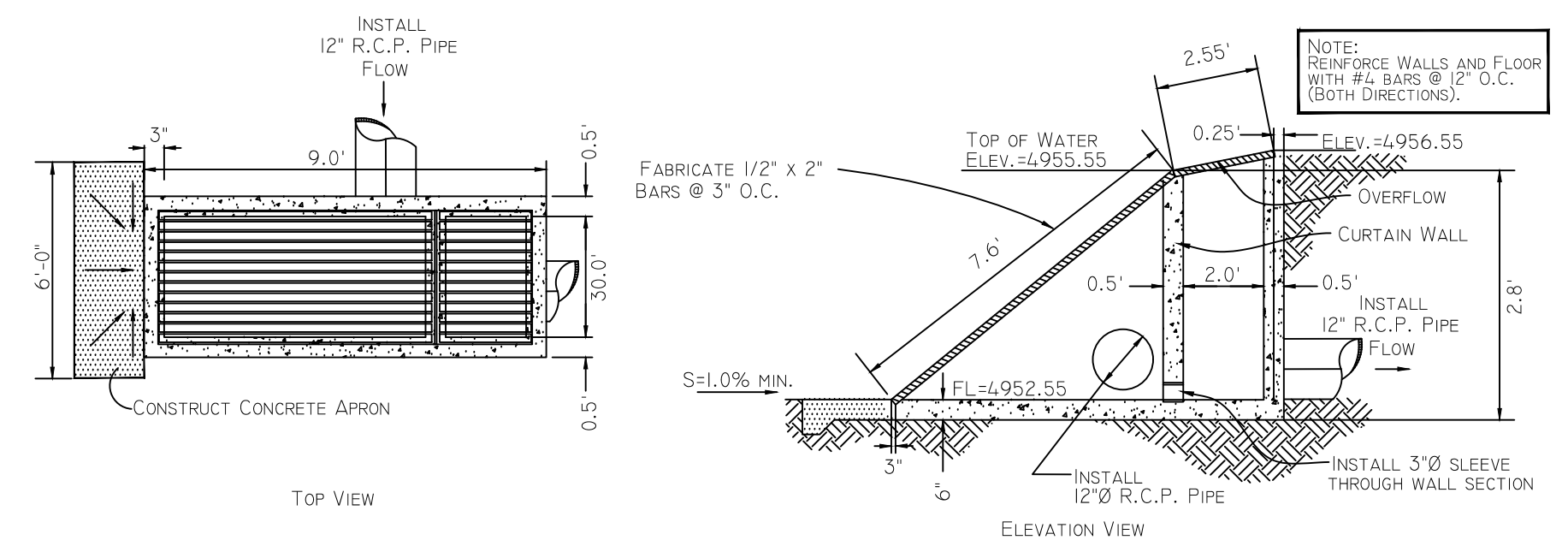
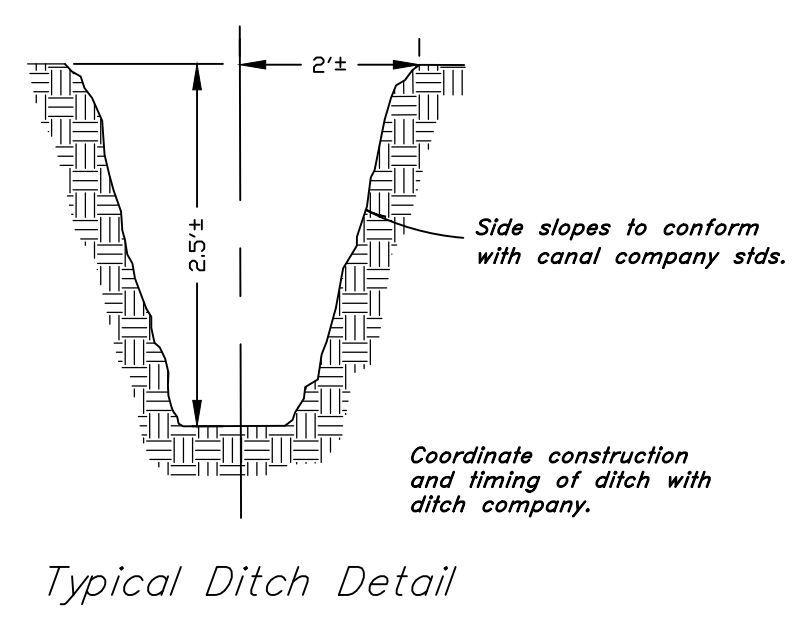
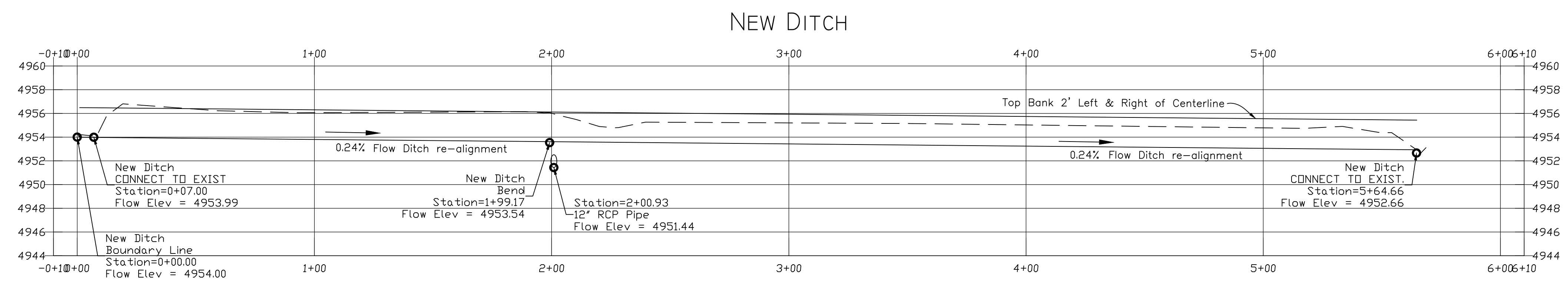
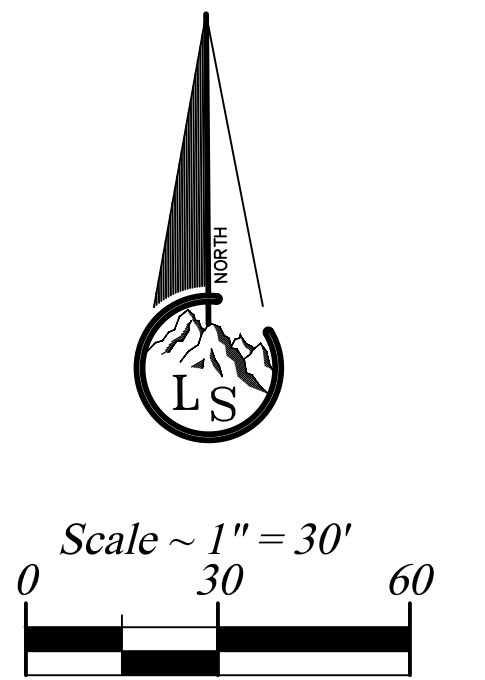
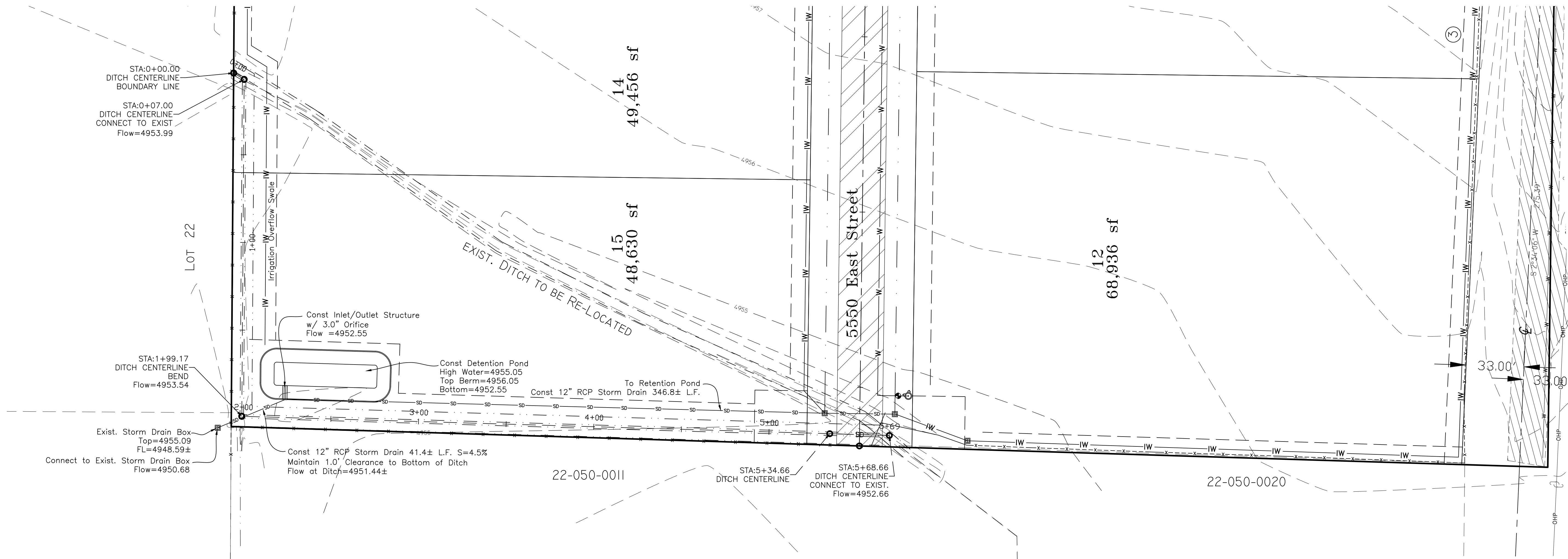
2 of 4

SUBDIVISION
Part of the NW 1/4 of Section 35, T7N, R1E, SLB&M
Eden, Weber Co, UT

ROAD PROFILE

Revisions
CHECKED BY: XX DATE: 9/15/2023
DRAWN BY: TK PROJ: 4413

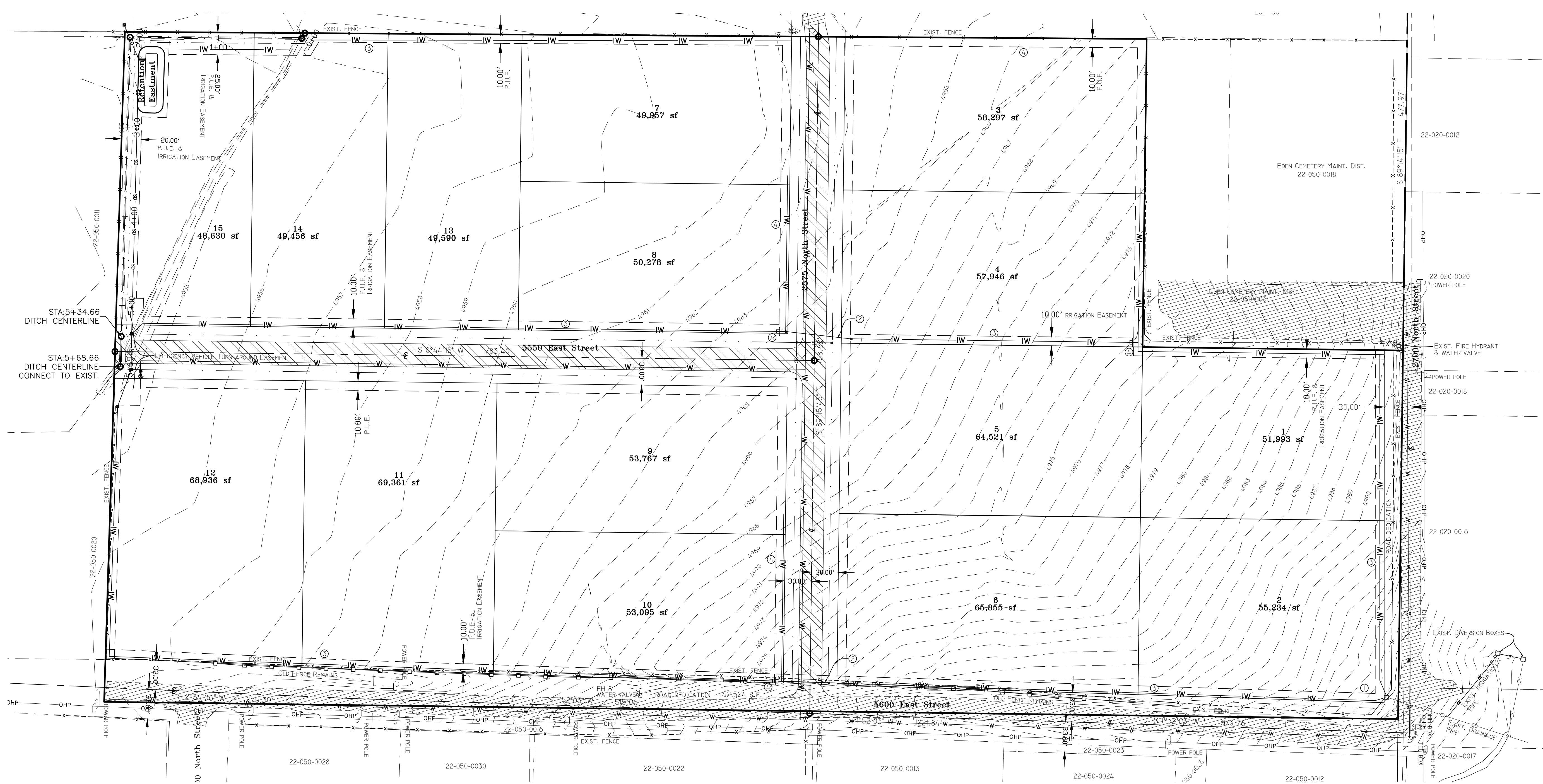
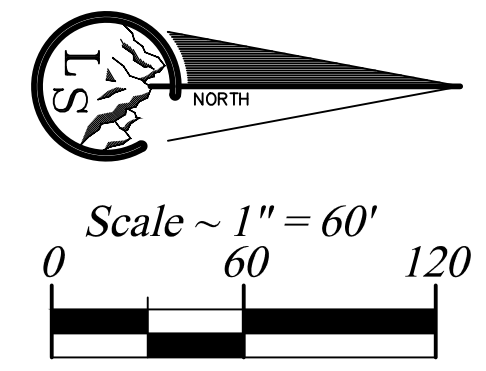
This plot and associated documents are "PRELIMINARY NOT FINAL" and subject to change without a valid signature and date across the Professional Engineer's seal in accordance with R156-22-601 of the Utah Administrative Code of the Utah Department of Commerce, Division of Occupational and Professional Licensing. If this document is unsigned it is a Preliminary document(s) and is not intended for and shall not be used in Construction, nor to be Recorded or Filed, nor implemented or used as a Final Product.



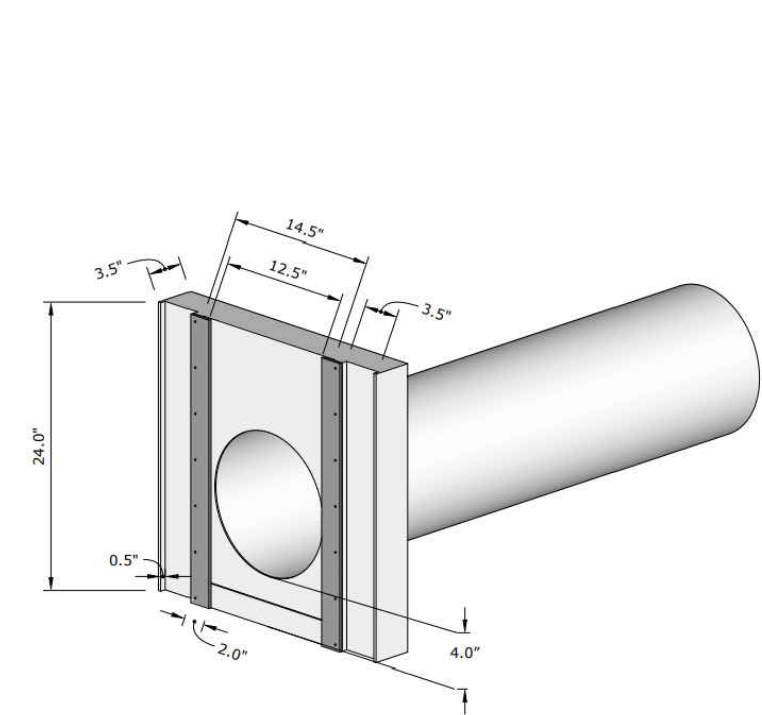
Landmark Surveying, Inc.
 A Complete Land Surveying Service
 www.LandmarkSurveyUtah.com

4646 South 3500 West - #A-3
 West Haven, UT 84401
 801-731-4075

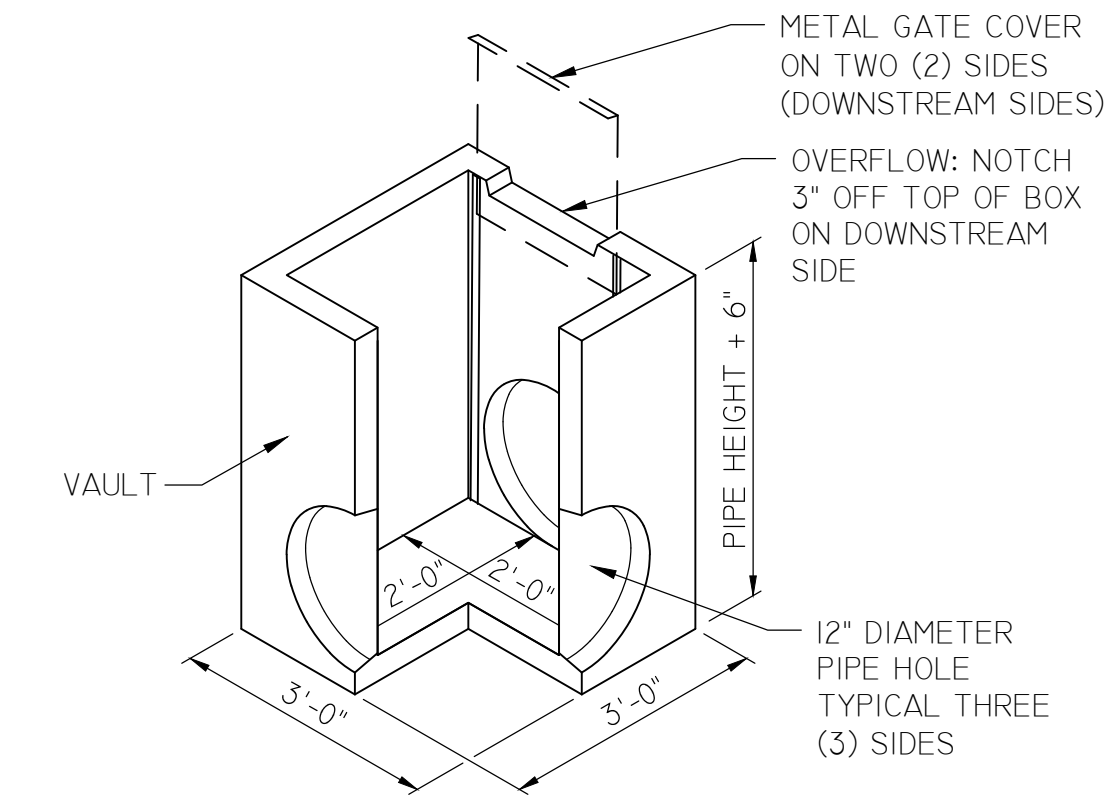
CLIENT: Dog and Bone LLC		3 of 4
Contractor: Address:		
SUBDIVISION Part of the NW 1/4 of Section 35, T7N, R1E, SLB&M Eden, Weber Co, UT		DITCH PROFILE
Revisions	CHECKED BY: XX DRAWN BY: TK	DATE: 3/7/2024 PROJ: 4413
<small> This plot and associated documents are "PRELIMINARY NOT FINAL" and subject to change without a valid signature and date across the Professional Engineer's seal in accordance with R156-22-601 of the Utah Administrative Code of the Utah Department of Commerce, Division of Occupational and Professional Licensing. If this document is unsigned it is a Preliminary document(s) and is not intended for and shall not be used in Construction, nor to be Recorded or Filed, nor implemented or used as a Final Product. </small>		



- NOTES**
1. INSTALL IRRIGATION DIVERSION BOX WITH GATES ON THREE SIDES.
 2. SEE DETAILS THIS PAGE.
 3. INSTALL 12" R.C.P. IRRIGATION PIPE 120' L.F.
 4. CONSTRUCT 2' WIDE IRRIGATION DITCHES 1-2 FEET DEEP.
 5. INSTALL DITCH GATE.



Ditch Gate Detail



Diversion Box Detail

Landmark Surveying, Inc.
 A Complete Land Surveying Service
 www.LandmarkSurveyUtah.com
 4646 South 3500 West - #A-3
 West Haven, UT 84401
 801-731-4075

CLIENT: Dog and Bone LLC
 Contractor:
 Address:
 SUBDIVISION
 Part of the NW 1/4 of Section 35, T7N, R1E, SLB&M
 Eden, Weber Co, UT
 Irrigation Ditch
 Site Plan

Revisions	CHECKED BY: XX	DATE: 3/7/2024
	DRAWN BY: TK	PROJ: 4413

This plot and associated documents are "PRELIMINARY NOT FINAL" and subject to change without a valid signature and date across the Professional Engineer's seal in accordance with R156-22-601 of the Utah Administrative Code of the Utah Department of Commerce, Division of Occupational and Professional Licensing. If this document is unsigned it is a Preliminary document(s) and is not intended for and shall not be used in Construction, nor to be Recorded or Filed, nor implemented or used as a Final Product.