



# Land Use Permit

## Weber County Planning Commission

2380 Washington Blvd. STE 240  
Ogden, UT 84401  
Phone: (801) 399-8791 FAX: (801) 399-8862  
webercountyutah.gov/planning

**Permit Number: LUP366-2023**

Permit Type: Structure  
Permit Date: 10/24/2023

### Applicant

**Name:** Jason Doman  
**Business:**  
**Address:**  
, UT  
**Phone:** 801-391-2196

### Owner

**Name:** Same  
**Business:**  
**Address:** 7191 E 900 S  
Huntsville, UT 84317  
**Phone:**

### Parcel

**Parcel:** 210310035  
**Zoning:** FV-3 **Area:** 4.51 **Sq Ft:** 5  
**Address:** 7191 E 900 S Huntsville, UT 84317

**Lot(s):** **Subdivision:**  
**T - R - S - QS:** 6N - 2E - 19 -

### Proposal

**Proposed Structure:** Ag Bldg  
**Proposed Structure Height:** 25  
**# of Dwelling Units:** 0  
**# Off Street Parking Reqd:**

**Building Footprint:** 4000  
**Max Structure Height in Zone:** 35  
**# of Accessory Bldgs:** 2  
**\*Is Structure > 1,000 Sq. Ft?** Yes  
**\*If True Need Certif. Statement**

### Permit Checklist

**Access Type:** Public  
**Greater than 4218 ft above sea level?** Yes  
**Additional Setback Reqd. ?** Yes  
**> 200 ft from paved Road?** No  
**Culinary Water District:**

**Alternative Access File #**  
**Wetlands/Flood Zone?** No  
**Meet Zone Area Frontage?** Yes  
**Hillside Review Reqd?** No  
**Waste Water System:**

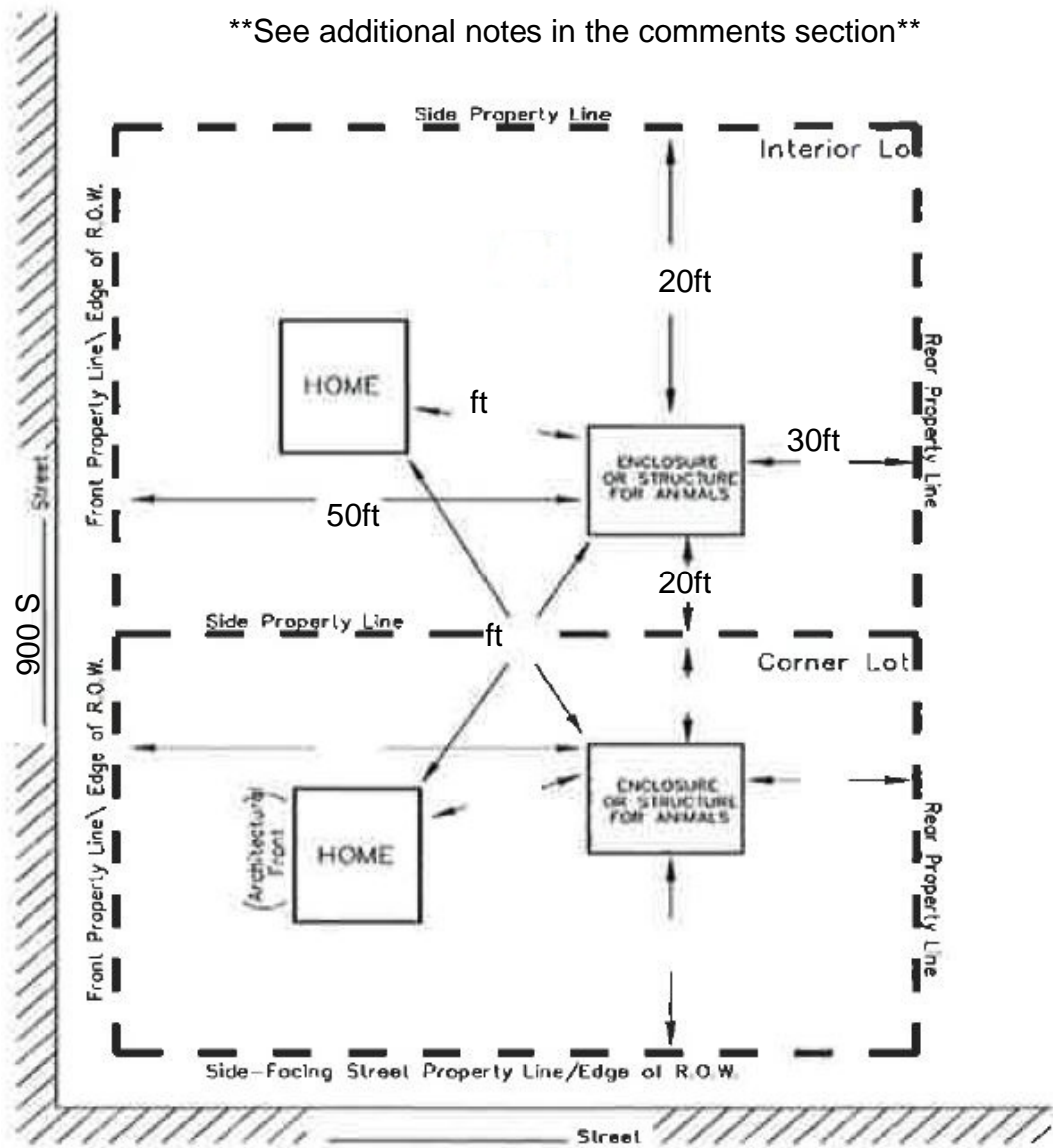
### Comments

This land use permit is issued after the owner has submitted building plans and a site plan that conforms with zoning requirements. The owner has signed the ag exemption form for a structure exclusively used for agricultural-related uses.

# Land Use Permit

## Structure Setback Graphic: Barn, Corral, or Stable

**\*\*See additional notes in the comments section\*\***



### MINIMUM YARD SETBACKS Barn, Corral, or Stable

**NOTICE FOR APPLICANT (Please Read Before Signing)**

Proposals for the installation of an individual water supply and for a sanitary waste disposal system (septic tank) for any structure designed for human occupation must be approved by Weber County Health Department prior to installation.

Felix Lleverino

10/24/2023

Planning Dept. Signature of Approval

Date

I hereby certify that I have read and examined this application and know the same to be true and correct. All provisions of laws and ordinances governing this land use will be complied with whether specified herein or not. I make this statement under penalty of perjury.

Contractor/Owner Signature of Approval

Date