

# ROPER BUILDINGS

## ROGER BUHRLEY BLDG.

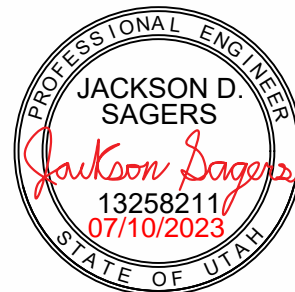


### DRAWING INDEX

A0	Title Page
A1	Foundation Plan
A2	First Floor Plan
A3	Framing Plans
A4	Roof Plan
A5	Elevations
A6	Panel Layouts
A7	Details 1
A8	Details 2
A9	Engineering Notes

### BUILDING INFORMATION

<b>BUILDING INFORMATION:</b>	<b>SITE INFORMATION:</b>	<b>USAGE:</b>
DIMENSIONS: 30' x 50'	ADDRESS: 1417 S. 8000 E. Hunstville, UT 84317	Agricultural
TOTAL SQUARE FOOTAGE: 1,500 Sq. Ft.		

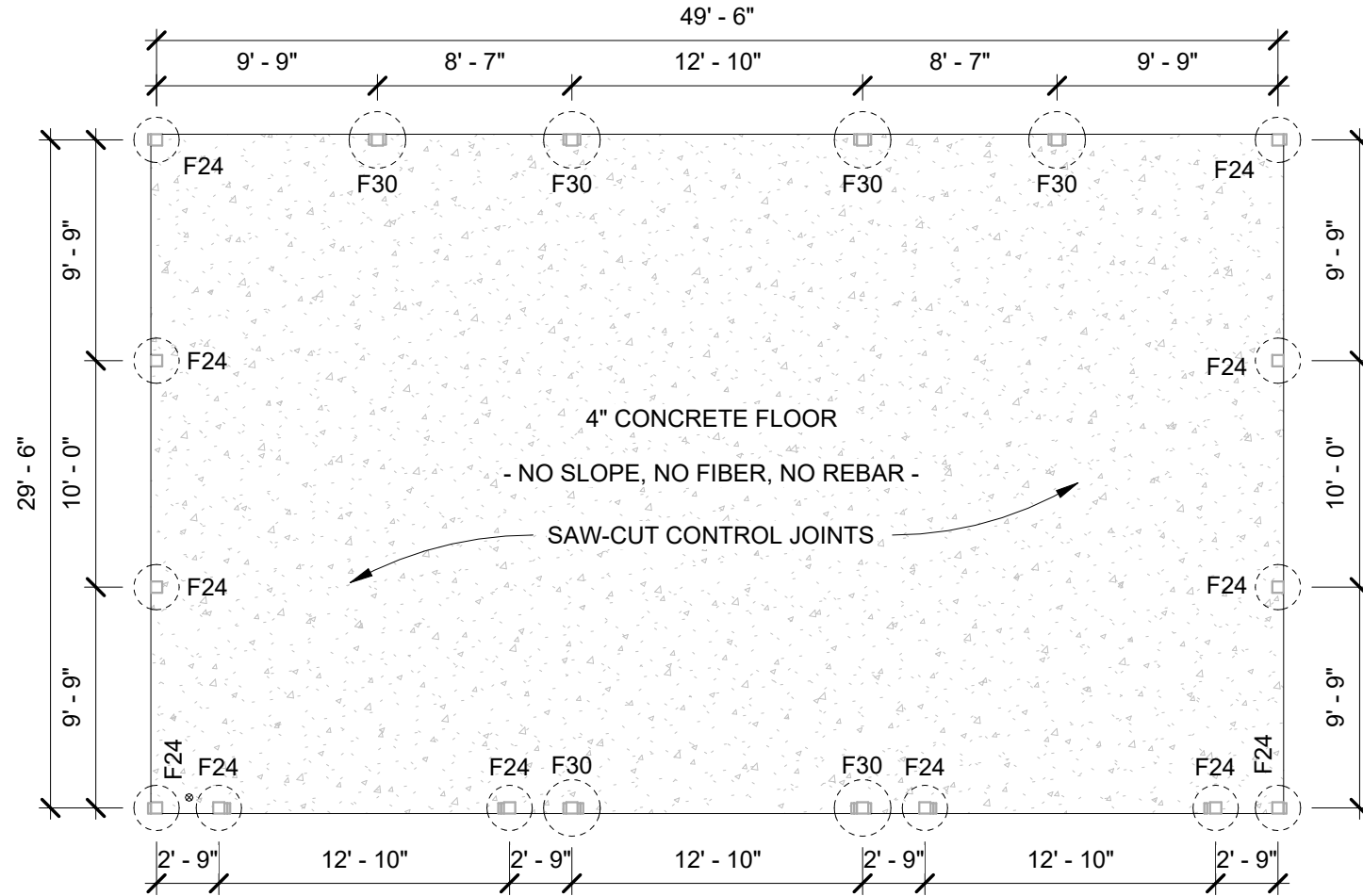


DATE:  
7/10/2023

ROPER BUILDINGS /  
DMLP RESOURCES  
PHONE: (801) 689-3630

SOUTH

WEST



NORTH  
(FRONT OF BUILDING)

# ROGER BUHRLEY BLDG.

1417 S. 8000 E.  
Hunsville, UT 84317

ROPER BUILDINGS /  
DMLP RESOURCES  
(801) 689-3630

FOUNDATION PLAN  
1/8" = 1'-0"

EAST



Date: 7/10/2023

Scale: 1/8" = 1'-0"

Drawn by: JDJ

Job: BUHRLEY

Sheet Size: B  
17" x 11"

Foundation Plan

PIERS			
Count	Type	Diameter	Depth
12	F24	24"	43"
6	F30	30"	40"

# A1

DOORS				
Mark	Count	Type	Width	Height
1	3	O.H.D.	12' - 0"	12' - 0"
2	1	M.D.	3' - 0"	6' - 8"

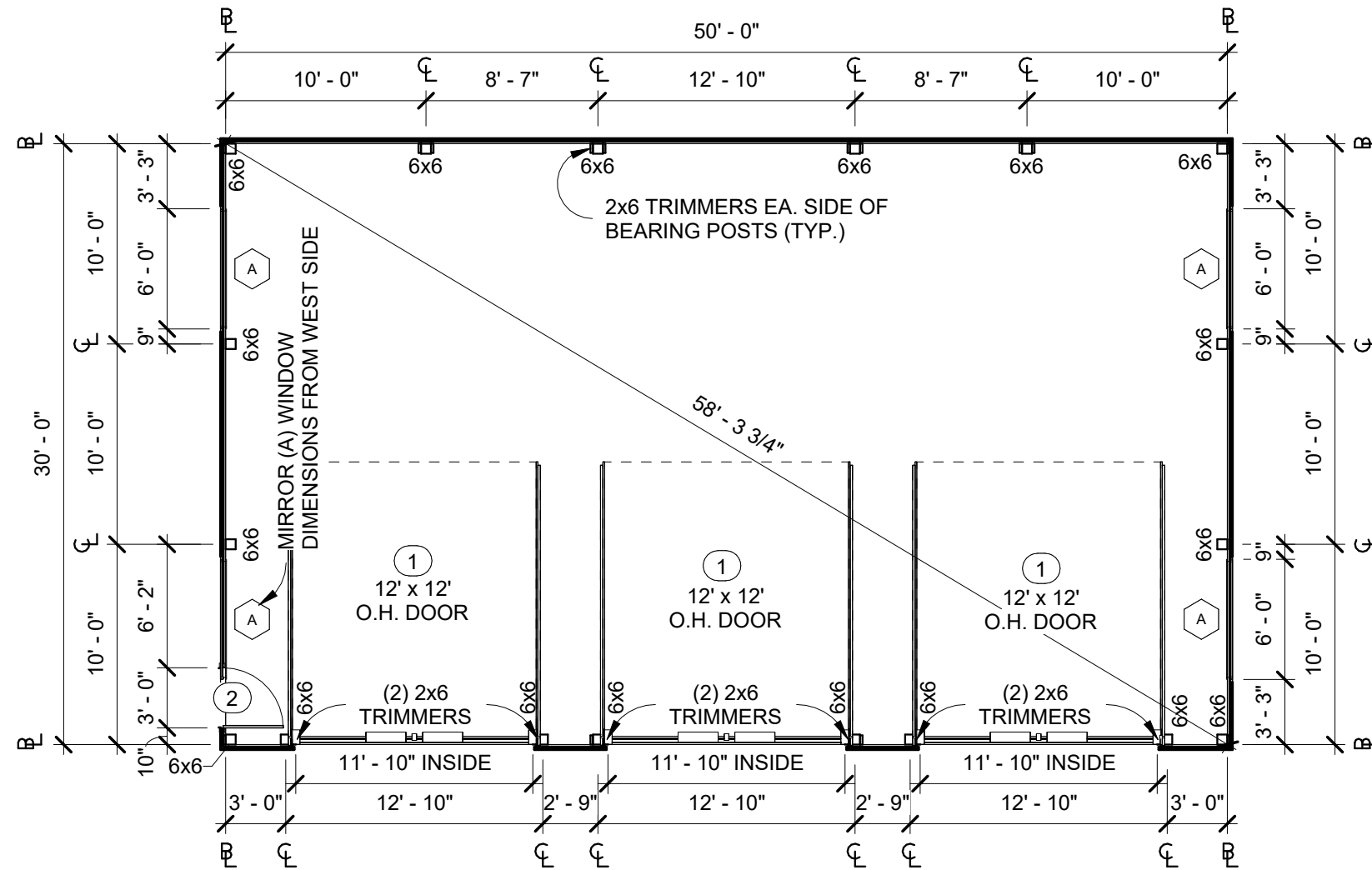
WINDOWS					
Mark	Count	Type	Width	Height	Sill Height
A	4	PICTURE ABOVE	6' - 0"	2' - 0"	10' - 0"

WEST

INSULATION		
ROOF	WALLS	ROLLS
FELT	-	-

ROPER BUILDINGS /  
DMLP RESOURCES  
(801) 689-3630

ROGER BUHRLEY BLDG.  
1417 S. 8000 E.  
Hunsville, UT 84317



SOUTH

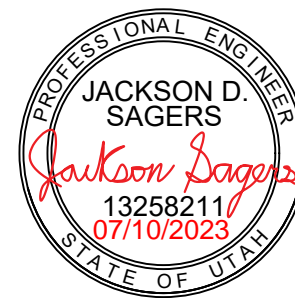
NORTH

EAST  
(FRONT OF BUILDING)

POSTS	
Quantity	Description
18	6x6 HF

POST TABLE	
SAWN	LAMINATED TRIAD OPTION
6x6 HF #1	3-PLY 2x8

- NOTES:**
- EMBED POST INTO CONCRETE PIER. SEE DETAIL 8/A7.
  - WALLS: STANDARD GIRTS, 29 GA. STEEL PANEL.
  - ALL POSTS ARE TREATED HF #1 UNLESS OTHERWISE SPECIFIED.



FLOOR PLAN  
1/8" = 1'-0"

Date: 7/10/2023  
Scale: 1/8" = 1'-0"  
Drawn by: JDJ  
Job: BUHRLEY  
Sheet Size: B  
17" x 11"

First Floor Plan

A2

Date: 7/10/2023

Scale: 1/8" = 1'-0"

Drawn by: JDJ

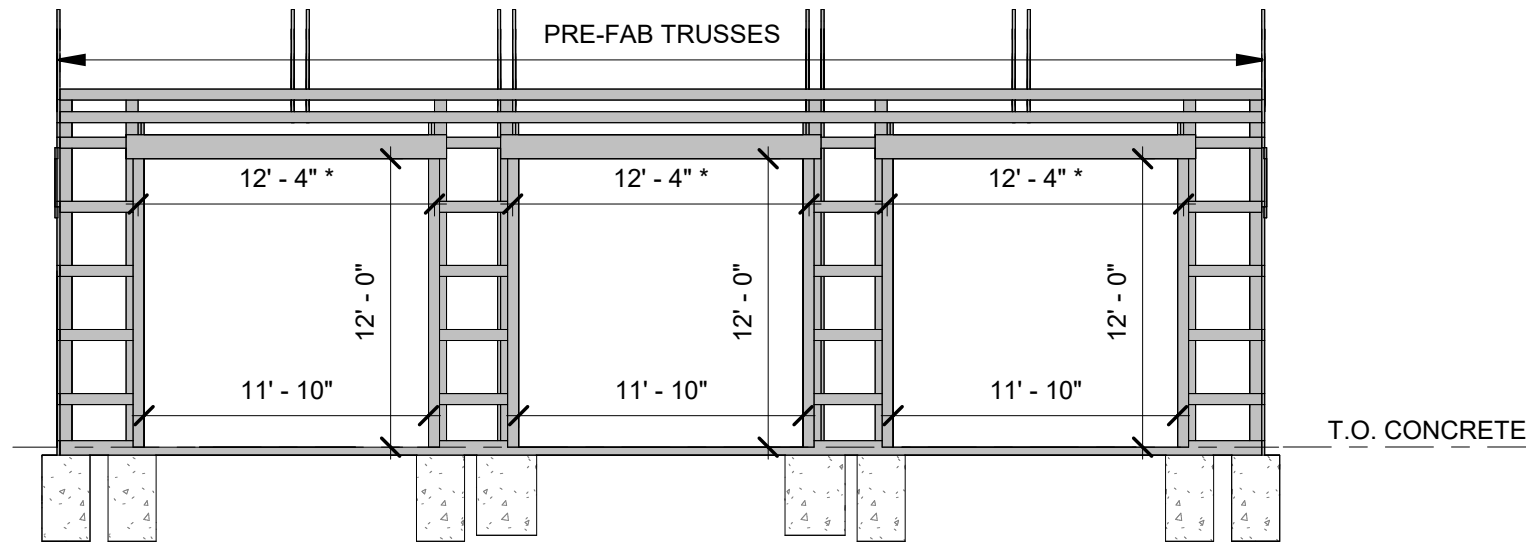
Job: BUHRLEY

Sheet Size: B  
17" x 11"

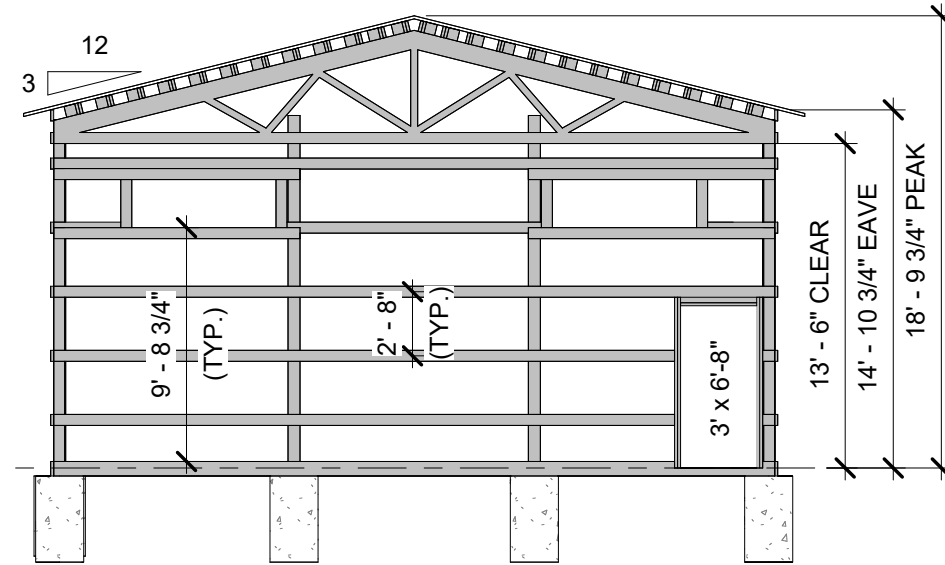
Framing Plans

A3

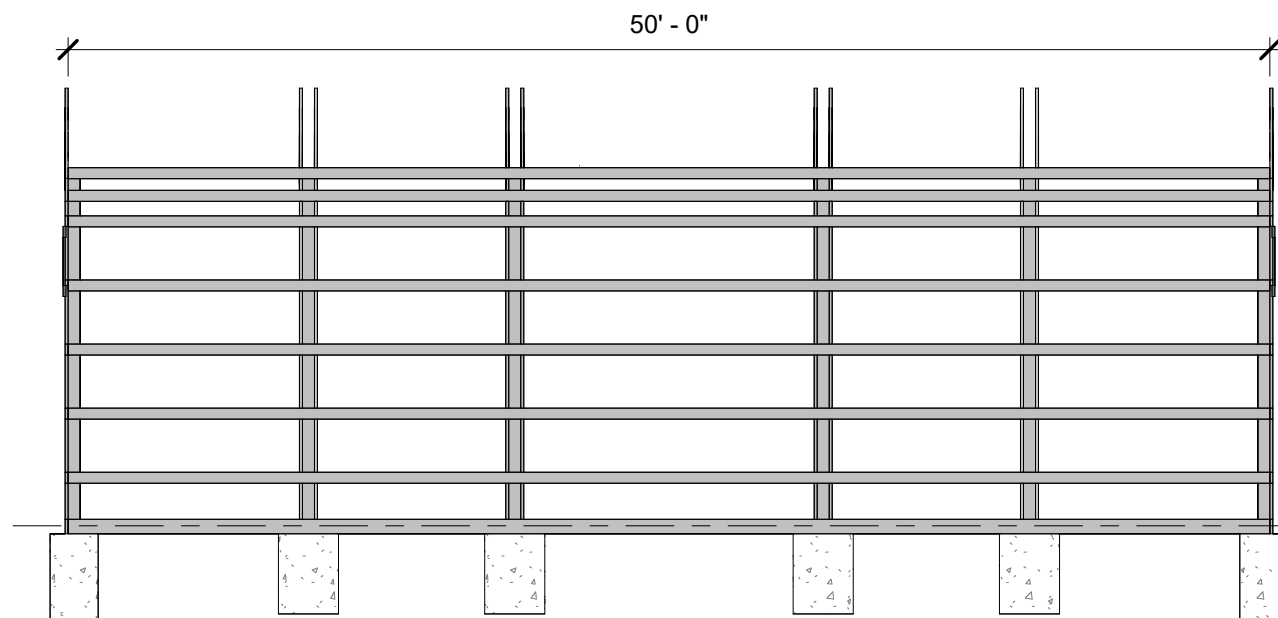
\* = POLE CENTER  
TO POLE CENTER



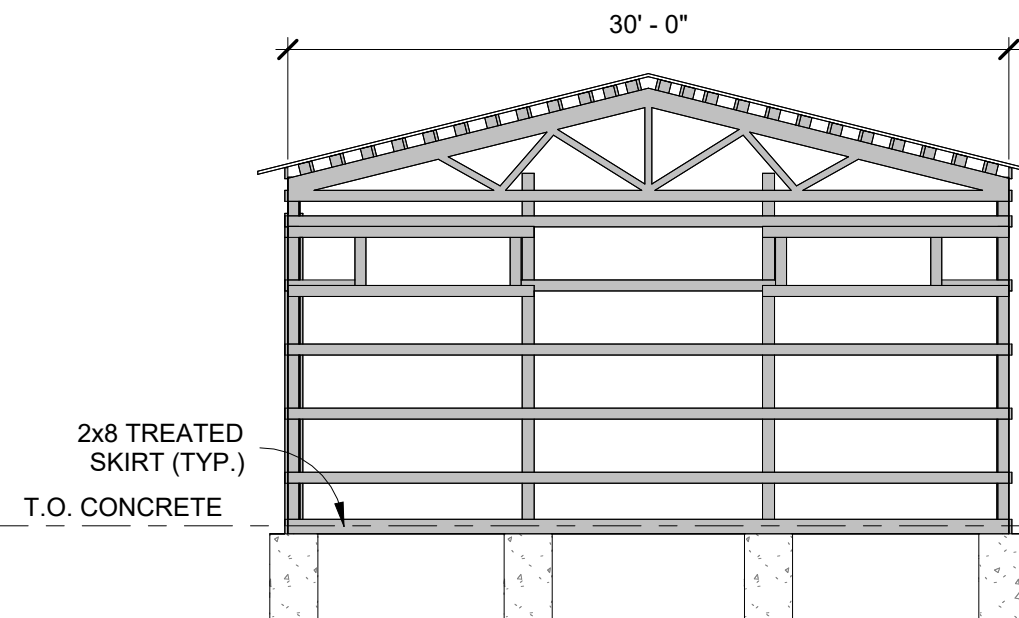
1 EAST GIRT  
1/8" = 1'-0"



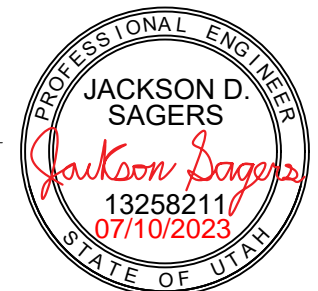
2 SOUTH GIRT  
1/8" = 1'-0"



3 WEST GIRT  
1/8" = 1'-0"

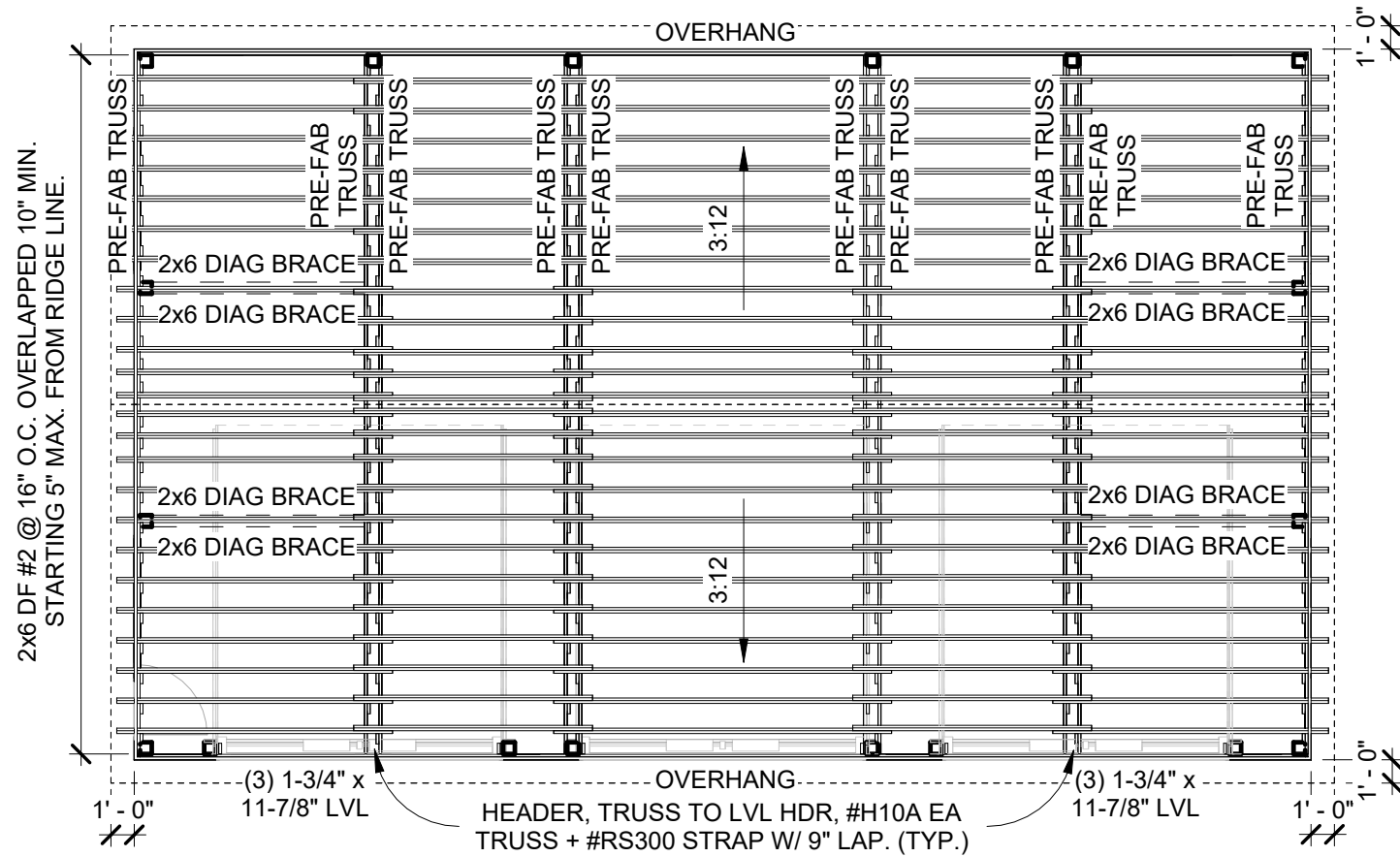


4 NORTH GIRT  
1/8" = 1'-0"



SOUTH

WEST



**ROOF PLAN**  
1/8" = 1'-0"

EAST

NORTH

**ROGER BUHRLEY BLDG.**

1417 S. 8000 E.  
Hunsville, UT 84317

**ROPER BUILDINGS /  
DMLP RESOURCES**  
(801) 689-3630

Date: 7/10/2023

Scale: 1/8" = 1'-0"

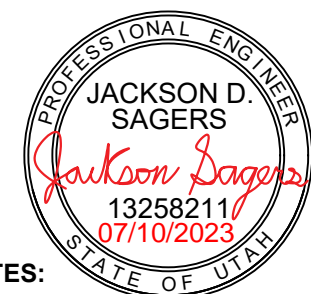
Drawn by: JDJ

Job: BUHRLEY

Sheet Size: B  
17" x 11"

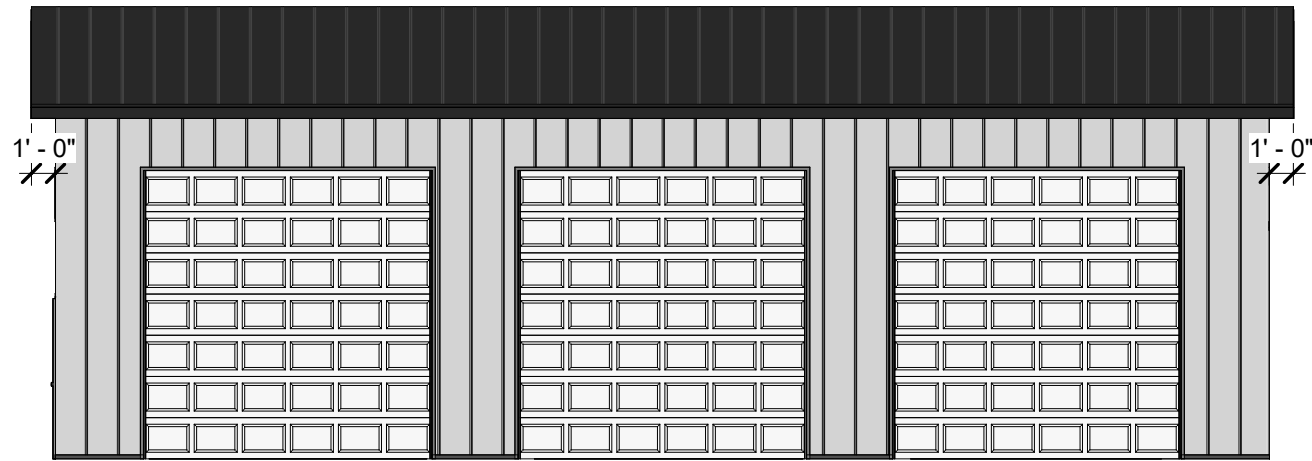
Roof Plan

**A4**

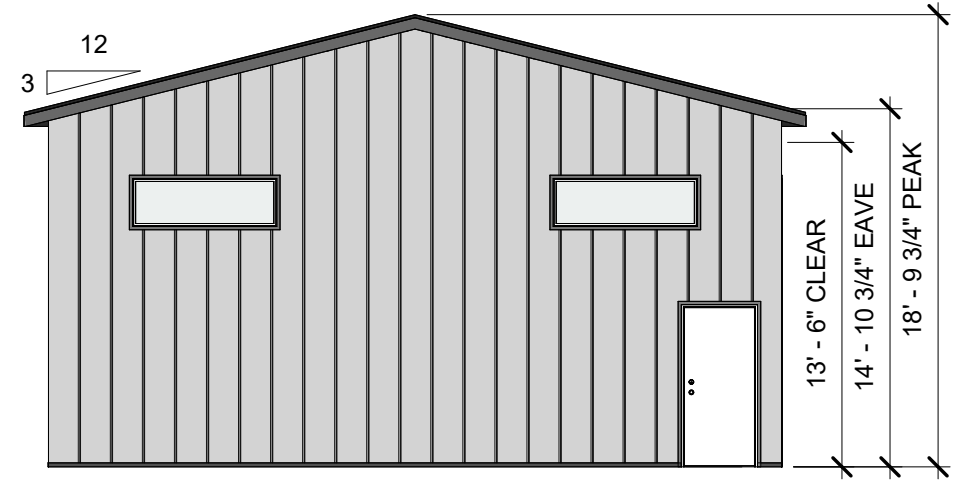


**ROOF FRAMING NOTES:**  
3:12 ROOF PITCH

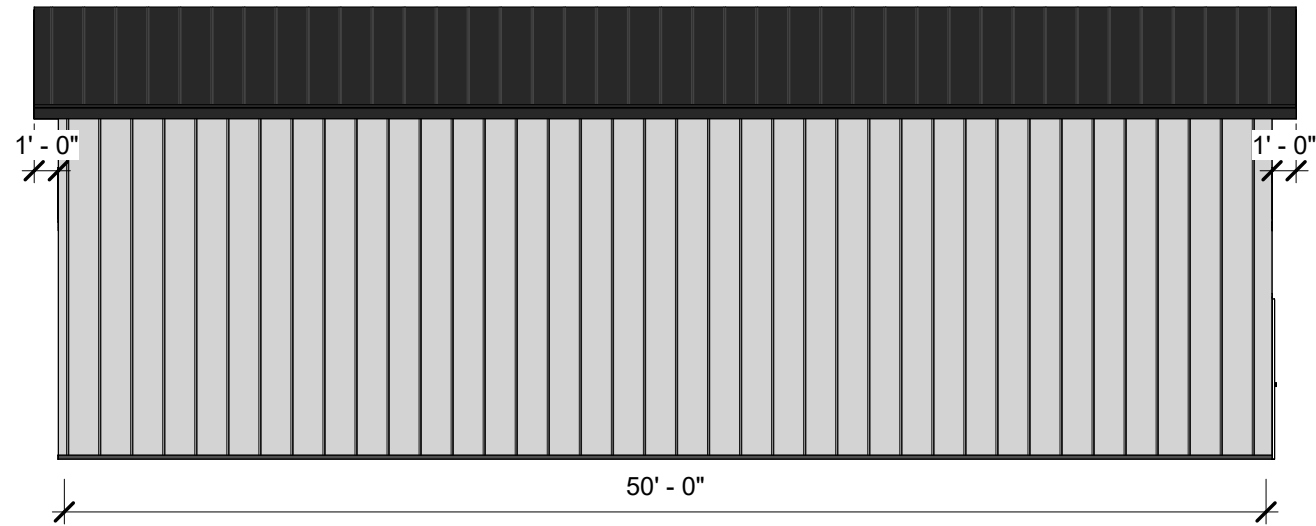
PURLINS: 2x6 DF #2 @ 16" O.C. OVERLAPPED 10" MIN. STARTING 5" MAX. FROM RIDGE LINE.



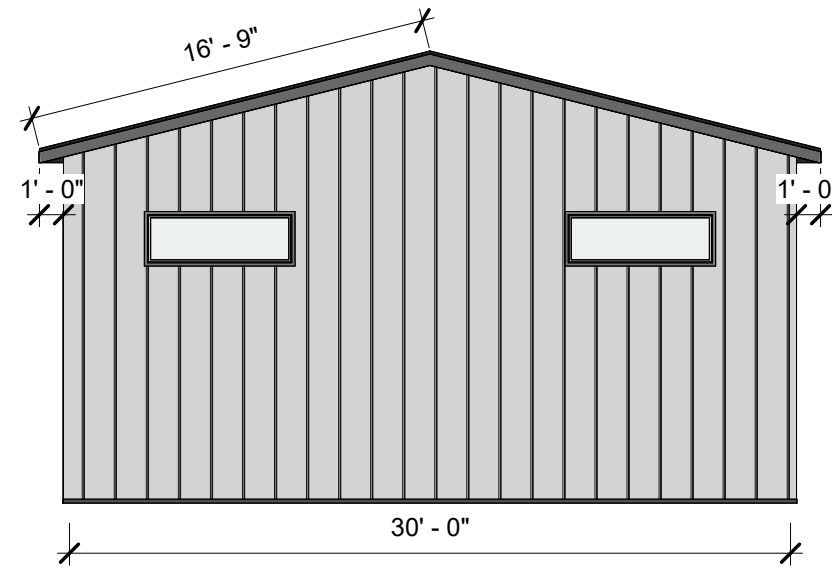
① EAST ELEVATION  
1/8" = 1'-0"



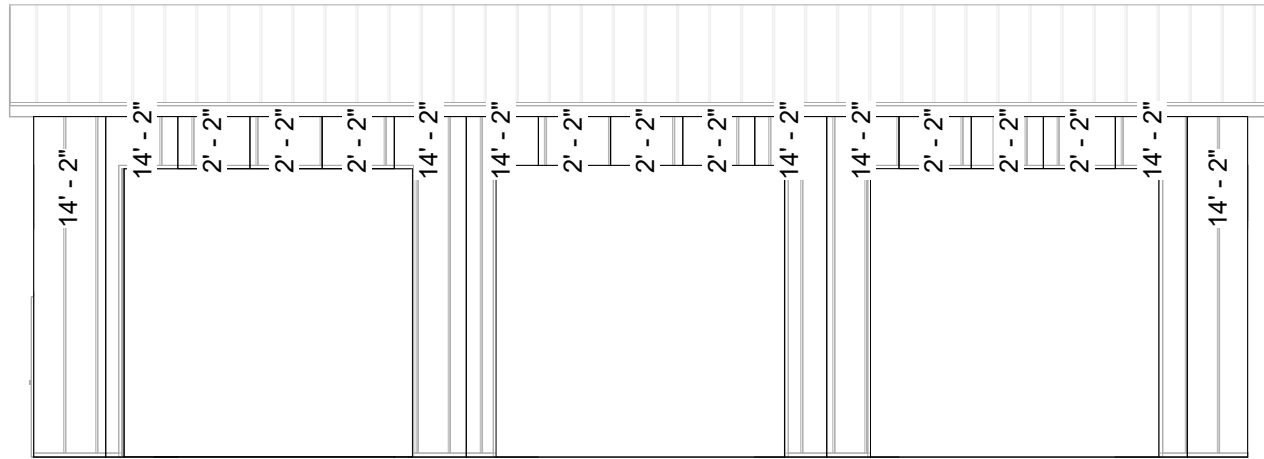
② SOUTH ELEVATION  
1/8" = 1'-0"



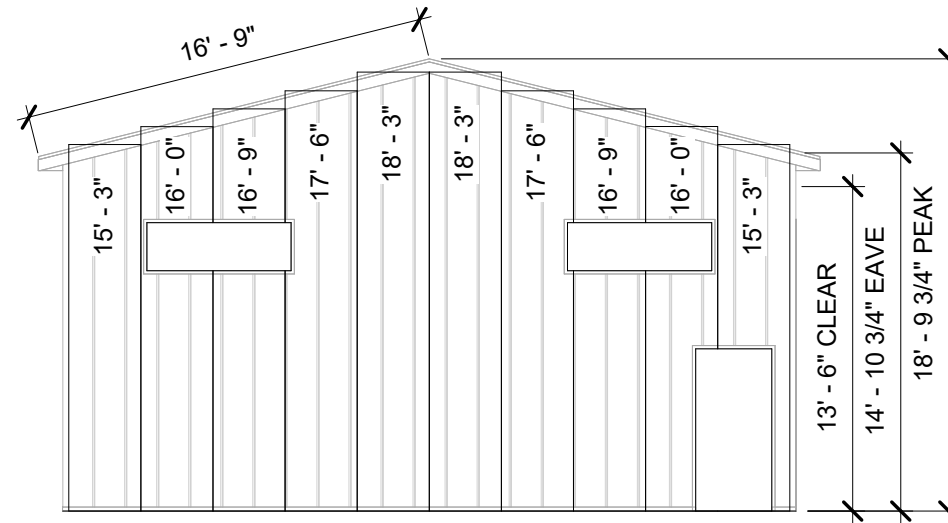
③ WEST ELEVATION  
1/8" = 1'-0"



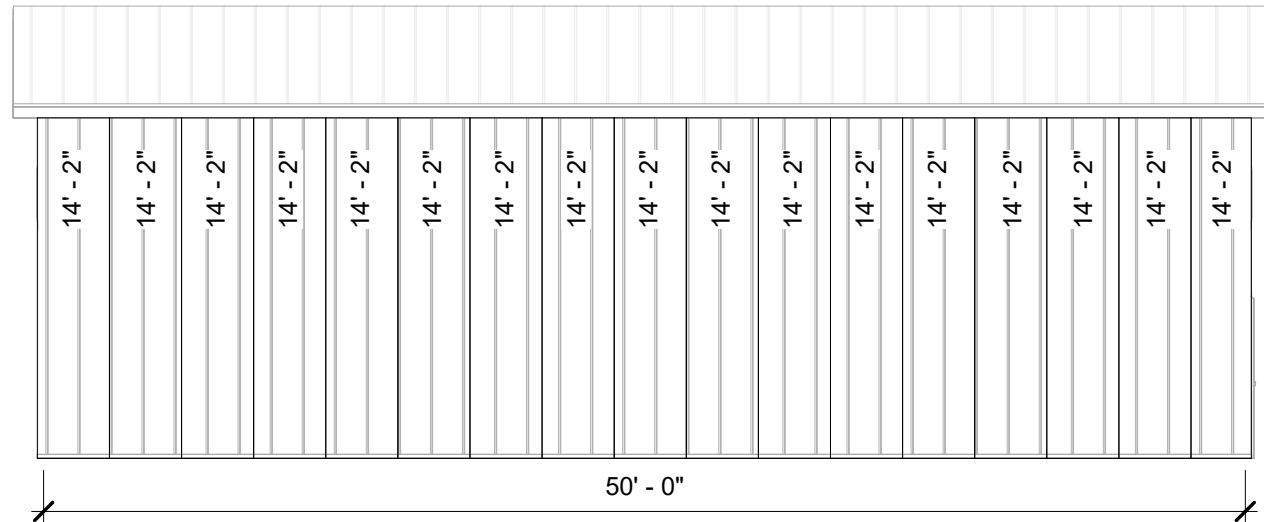
④ NORTH ELEVATION  
1/8" = 1'-0"



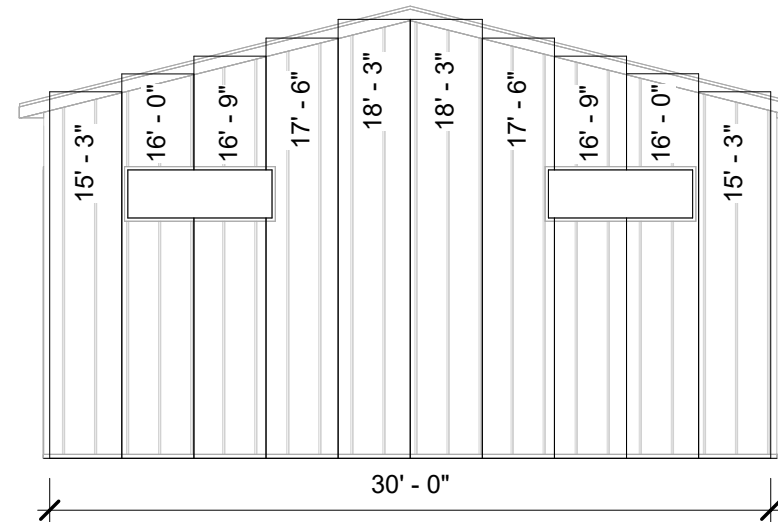
1 EAST PANEL  
1/8" = 1'-0"



2 SOUTH PANEL  
1/8" = 1'-0"



3 WEST PANEL  
1/8" = 1'-0"



4 NORTH PANEL  
1/8" = 1'-0"

PANEL SCHEDULE

Quantity	Panel Height
9	2' - 2"
25	14' - 2"
4	15' - 3"
2	15' - 11 7/8"
2	16' - 0"
4	16' - 8 3/4"
4	17' - 5 7/8"
4	18' - 3 1/8"

ROPER BUILDINGS /  
DMLP RESOURCES  
(801) 689-3630

ROGER BUHRLEY BLDG.

1417 S. 8000 E.  
Hunsville, UT 84317

Date: 7/10/2023

Scale: 1/8" = 1'-0"

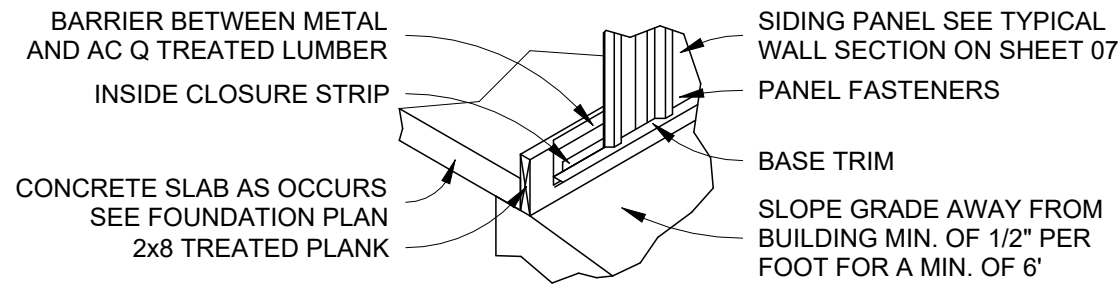
Drawn by: JDJ

Job: BUHRLEY

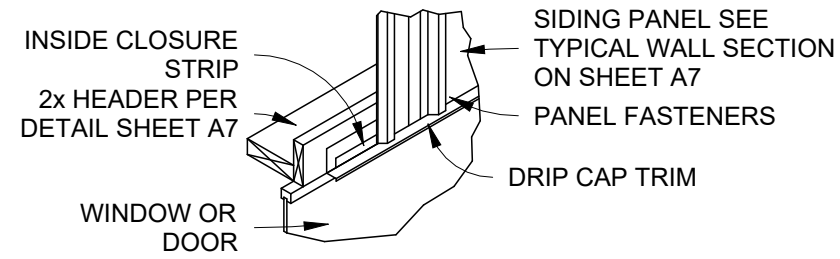
Sheet Size: B  
17" x 11"

Panel Layouts

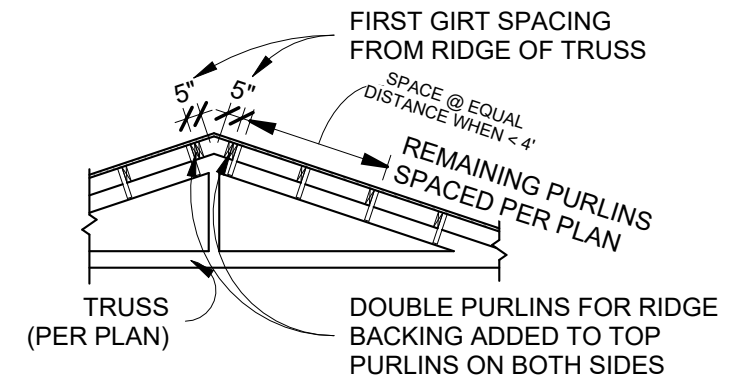
A6



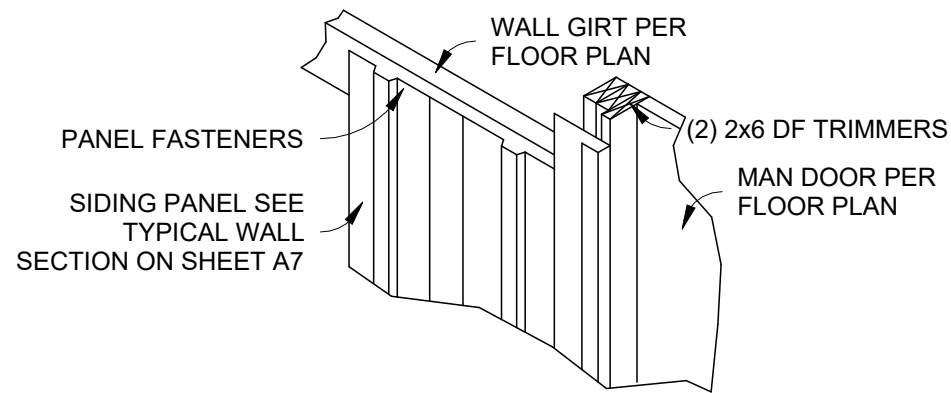
1 BASE GUARD FLASHING  
N.T.S.



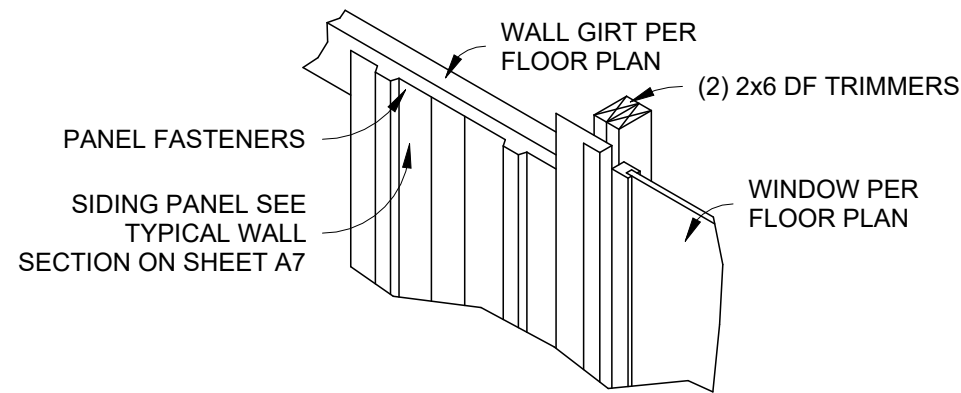
2 WINDOW/DOOR HEADER FLASHING  
N.T.S.



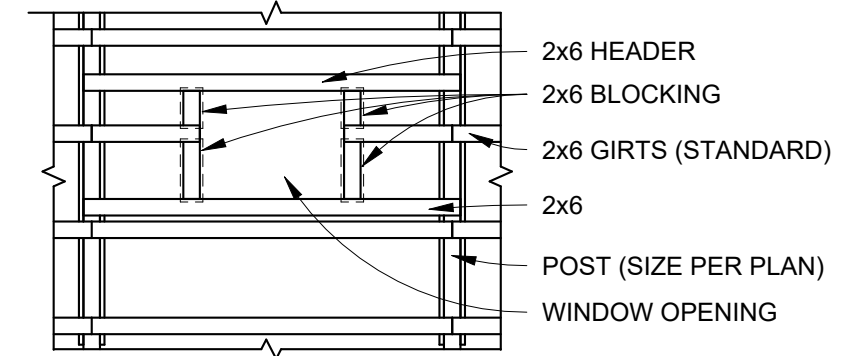
3 T.O. ROOF DETAIL  
N.T.S.



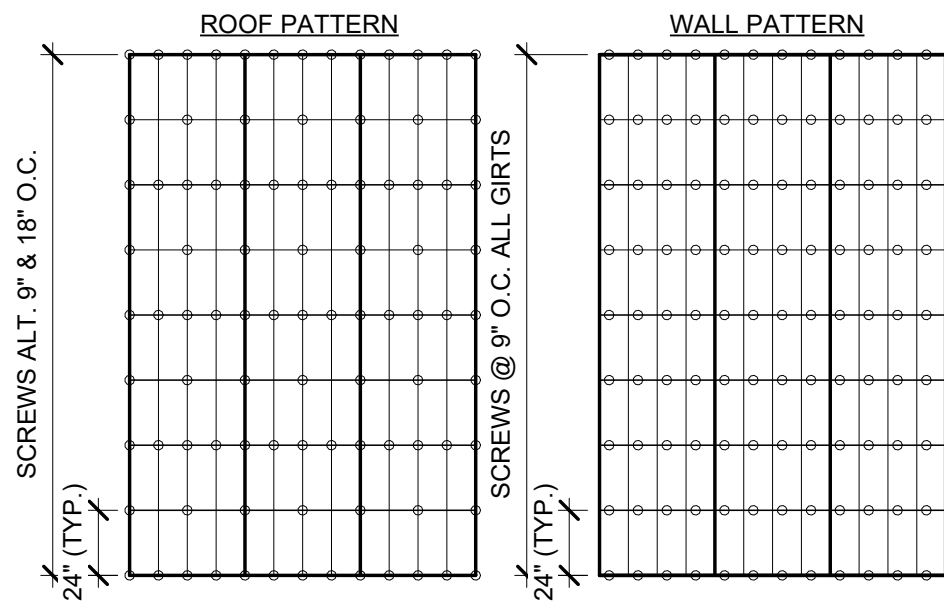
4 MAN DOOR JAMB FLASHING  
N.T.S.



5 WINDOW JAMB FLASHING  
N.T.S.

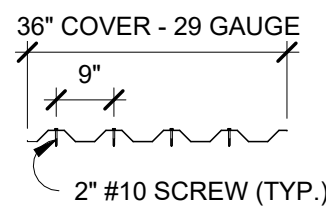


6 WINDOW OPENING (STANDARD GIRTS)  
N.T.S.

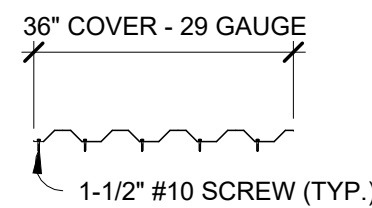


7 ROPER BUILDINGS SCREW PATTERNS  
N.T.S.

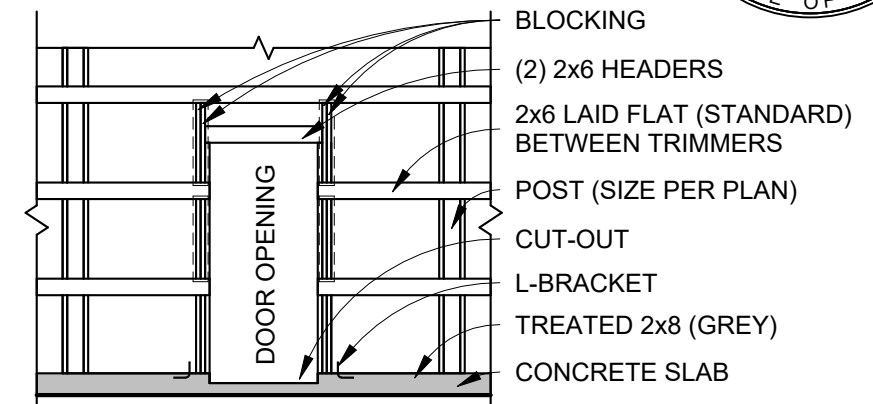
ROOF & WALL PANELS: 29 GA. AG PANELS  
FABRAL NAME: GRAND RIB 3 - 3' COVER  
TRI-STATE NAME: TUFF RIB - 3' COVER



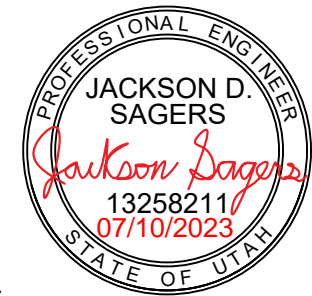
ROOF PATTERN



WALL PATTERN



8 MD OPENING  
N.T.S.



ROPER BUILDINGS /  
DMLP RESOURCES  
(801) 689-3630

ROGER BUHRLEY BLDG.  
1417 S. 8000 E.  
Hunsville, UT 84317

Date: 7/10/2023

Scale: As indicated

Drawn by: JDJ

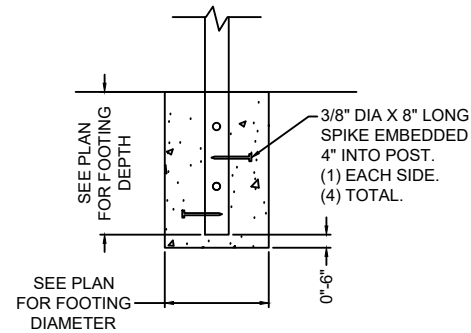
Job: BUHRLEY

Sheet Size: B  
17" x 11"

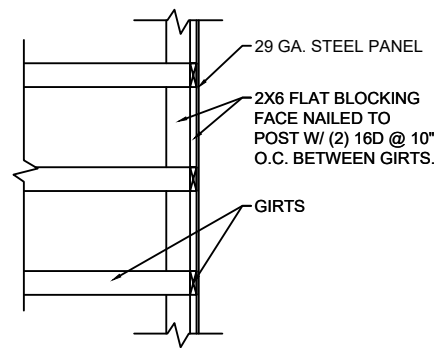
Details 1

A7

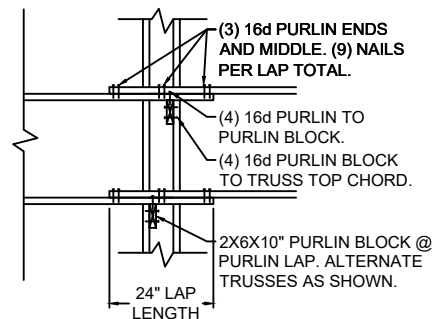




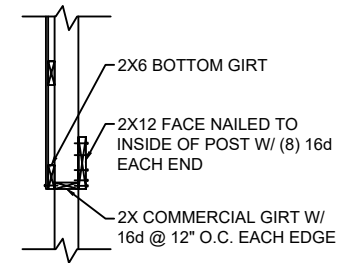
1 24"-30" DIA FOOTING  
A8 NTS



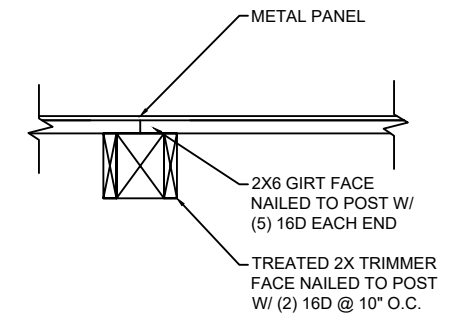
2 CORNER BLOCKING  
A8 NTS



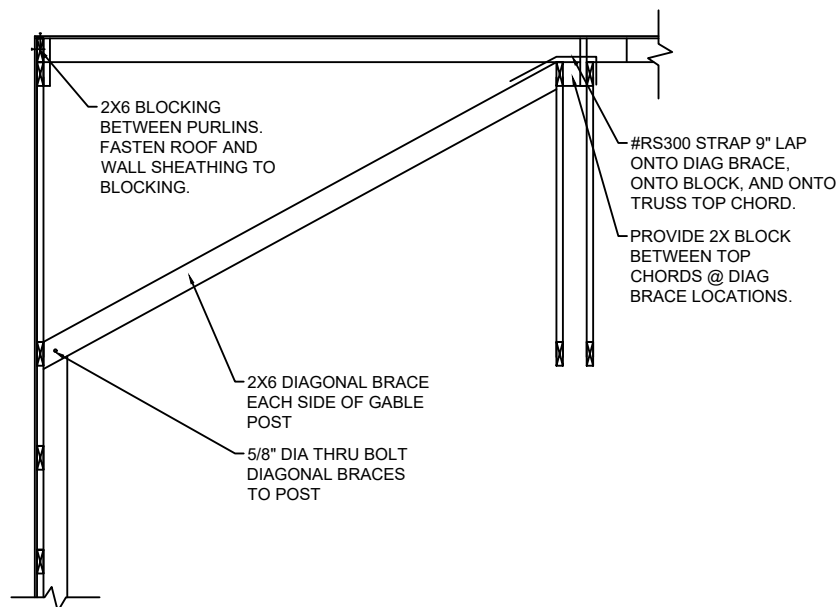
3 PURLIN LAP  
A8 NTS



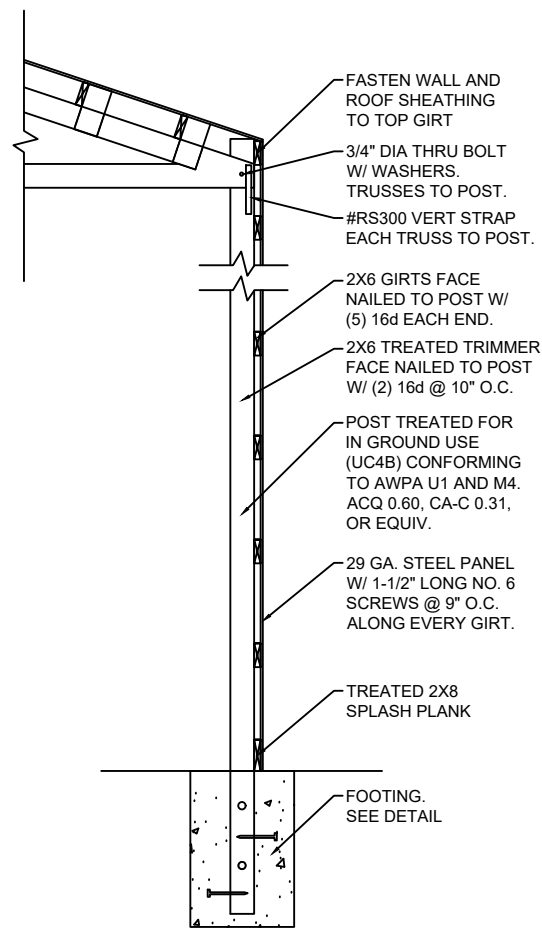
4 NON BEARING GARAGE HDR  
A8 NTS



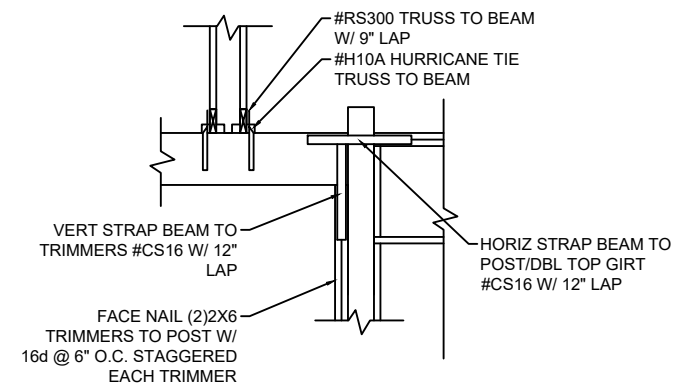
5 SECTION AT POST  
A8 NTS



6 DIAGONAL BRACE  
A8 NTS



7 WALL SECTION  
A8 NTS



8 BEARING GARAGE HDR  
A8 NTS

ROPER BUILDINGS /  
DMLP RESOURCES

(801) 689-3630

ROGER BUHRLEY BLDG.

1417 S. 8000 E.  
Hunstville, UT 84317

Date: 7/10/2023

Scale:

Drawn by: JDJ

Job: BUHRLEY

Sheet Size: B  
17" x 11"

Details 2

A8

