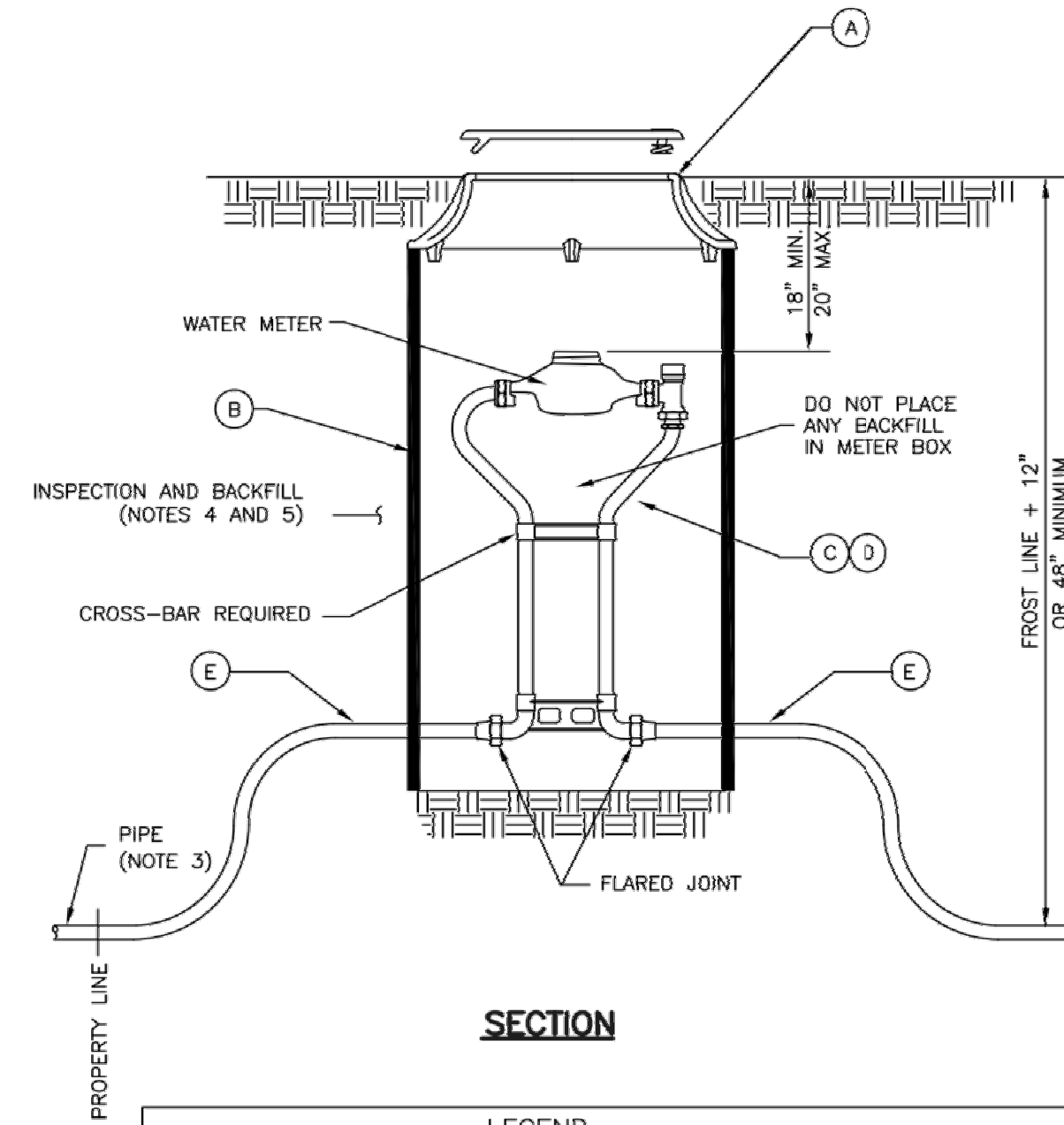


**3/4" and 1" meter**

- METER PLACEMENT:**
  - In new construction, install meter at center of lot or per agency requirements.
  - All meters are to be installed in the park strip or within 7 feet of the property line (street side).
  - Do not install meters under driveway approaches, sidewalks, or curb and gutter.
- METER BOX:**
  - In landscaped areas and driveway approaches, set box so grade of the frame and cover matches the grade of the surrounding surface.
  - In street surfaces or other vehicular traffic areas, provide the same type of meter box as required for 1 1/2" and 2" service meters. See Plan 522.
- PIPE:** Coordinate with utility agency or property owner for type of pipe to be used outside of right-of-way.
- INSPECTION:** Prior to backfilling around meter box, secure inspection of installation by ENGINEER.
- BACKFILL:** Provide and place per APWA Section 33 05 20. Compact per APWA Section 31 23 26 to a modified proctor density of 95 percent or greater. Maximum lift thickness is 8 inches before compaction.
- CASTING:** Grey iron class 35 minimum per ASTM A 48.

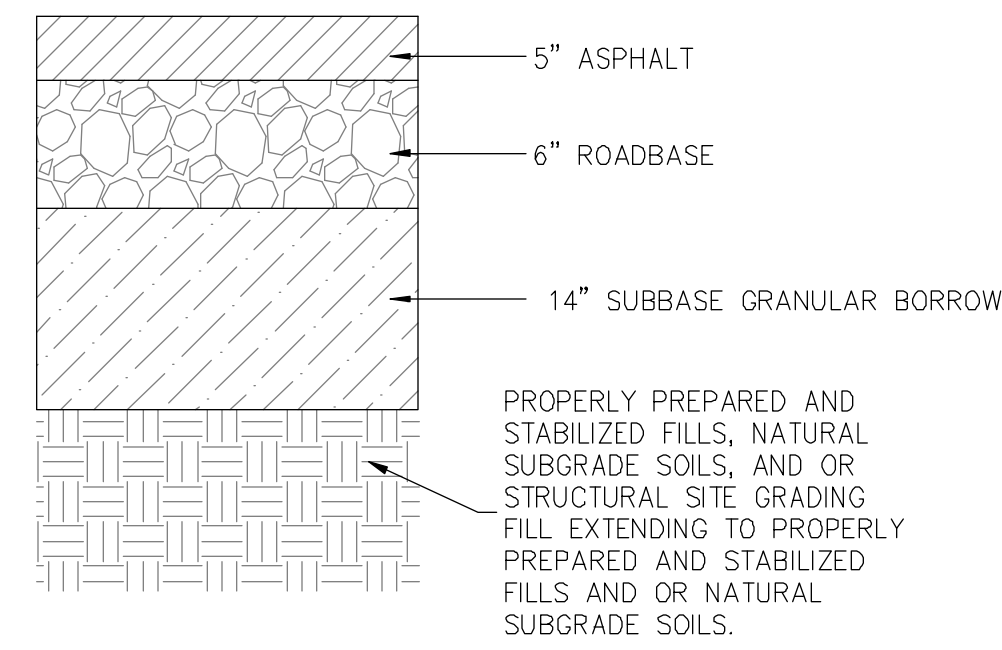


No.	*	ITEM	DESCRIPTION
(A)		FRAME AND COVER	CAST IRON COVER (grass) DUCTILE IRON COVER (highway)
(B)		METER BOX (18" TO 21" DIAMETER) (30" TO 36" DEEP)	CORRUGATED PE, PVC, CMP OR MATERIAL ACCEPTABLE TO AGENCY
(C)		3/4" METER YOKE	OPTIONAL BACKFLOW PROTECTION PER AGENCY REQUIREMENTS
(D)		1" METER YOKE	OPTIONAL BACKFLOW PROTECTION PER AGENCY REQUIREMENTS
(E)		COPPER PIPE	TYPE K (SOFT)

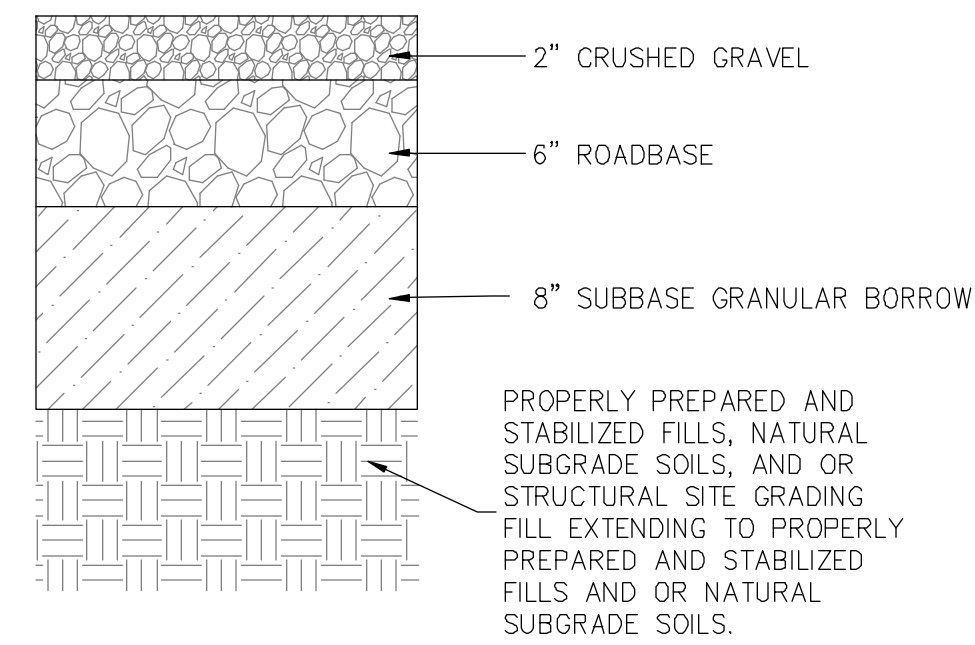
\* FURNISHED BY UTILITY AGENCY

**3/4" and 1" meter**

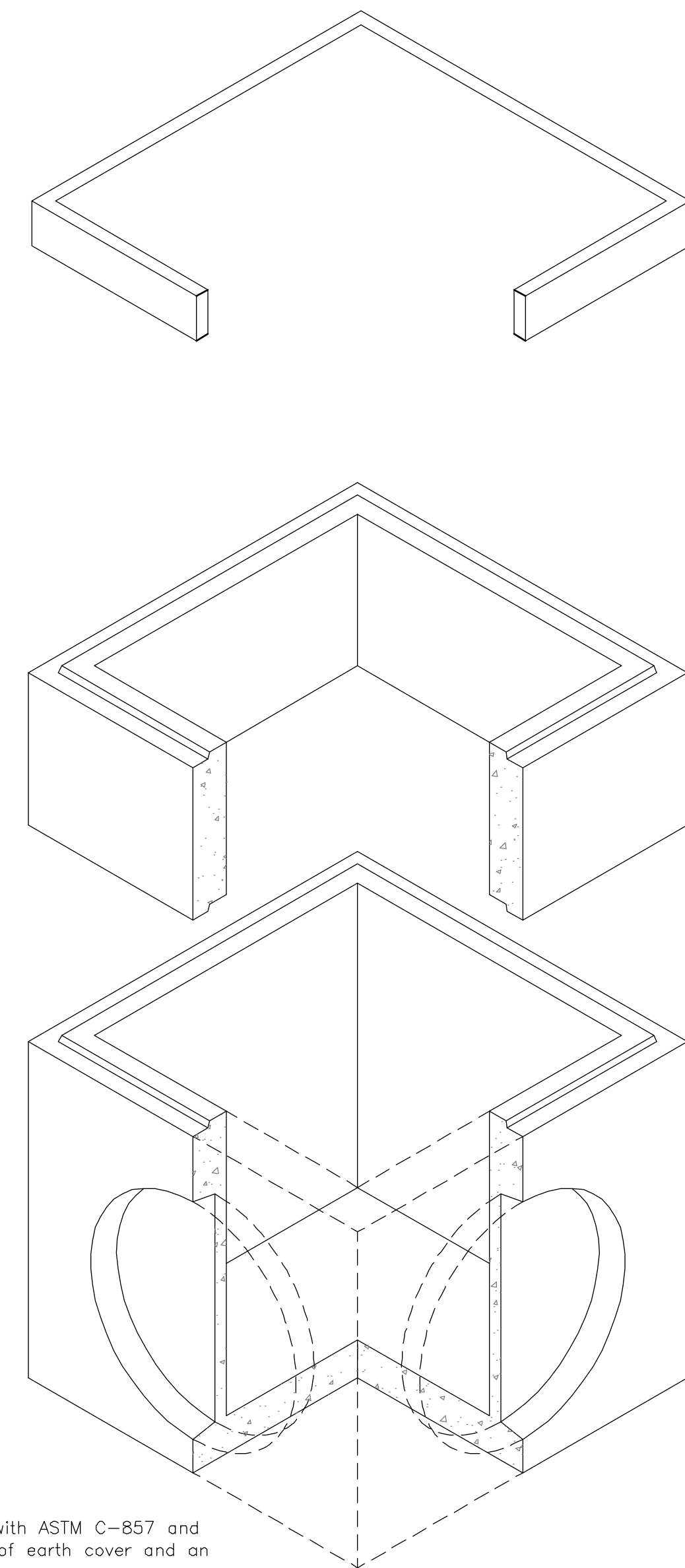
APWA #521 3/4" AND 1" METER  
NTS



SECTION ONE  
ROADWAY PAVEMENT

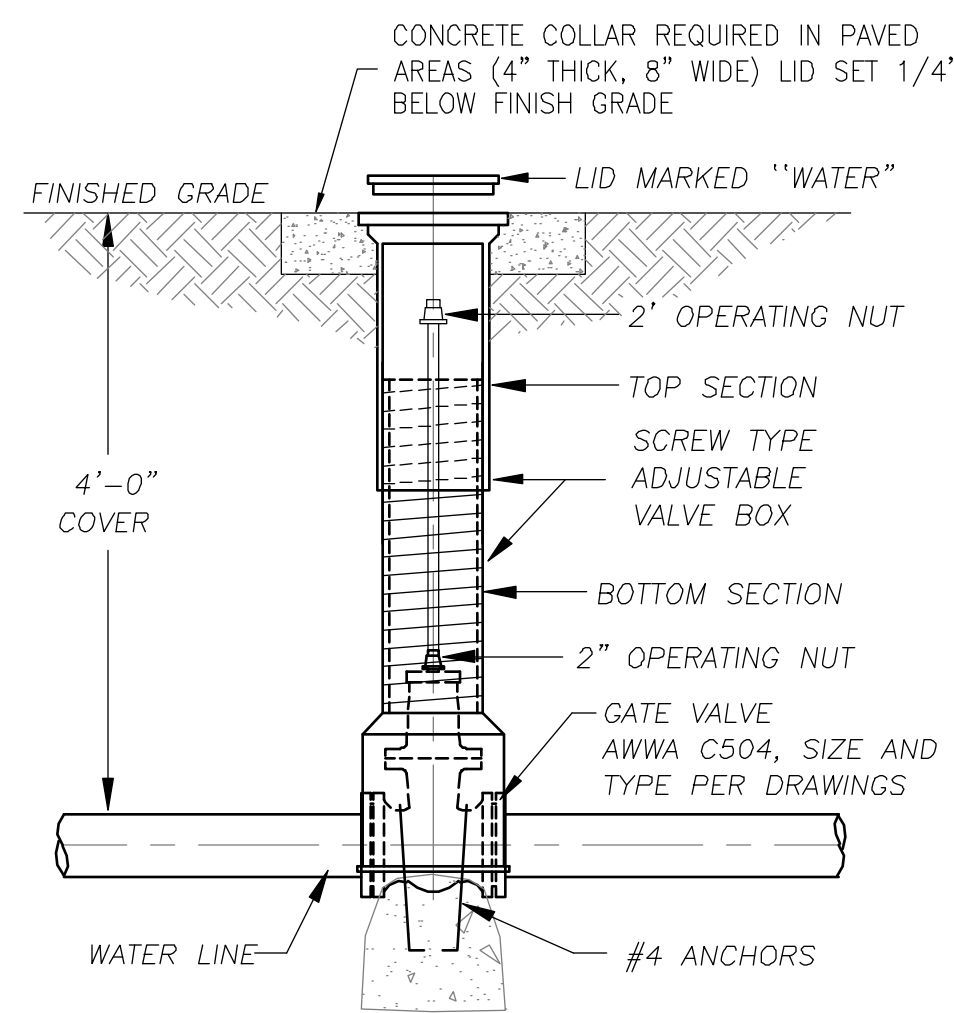


SECTION TWO  
GRAVEL SHOULDERS  
ROAD STRUCTURAL SECTION  
N.T.S.

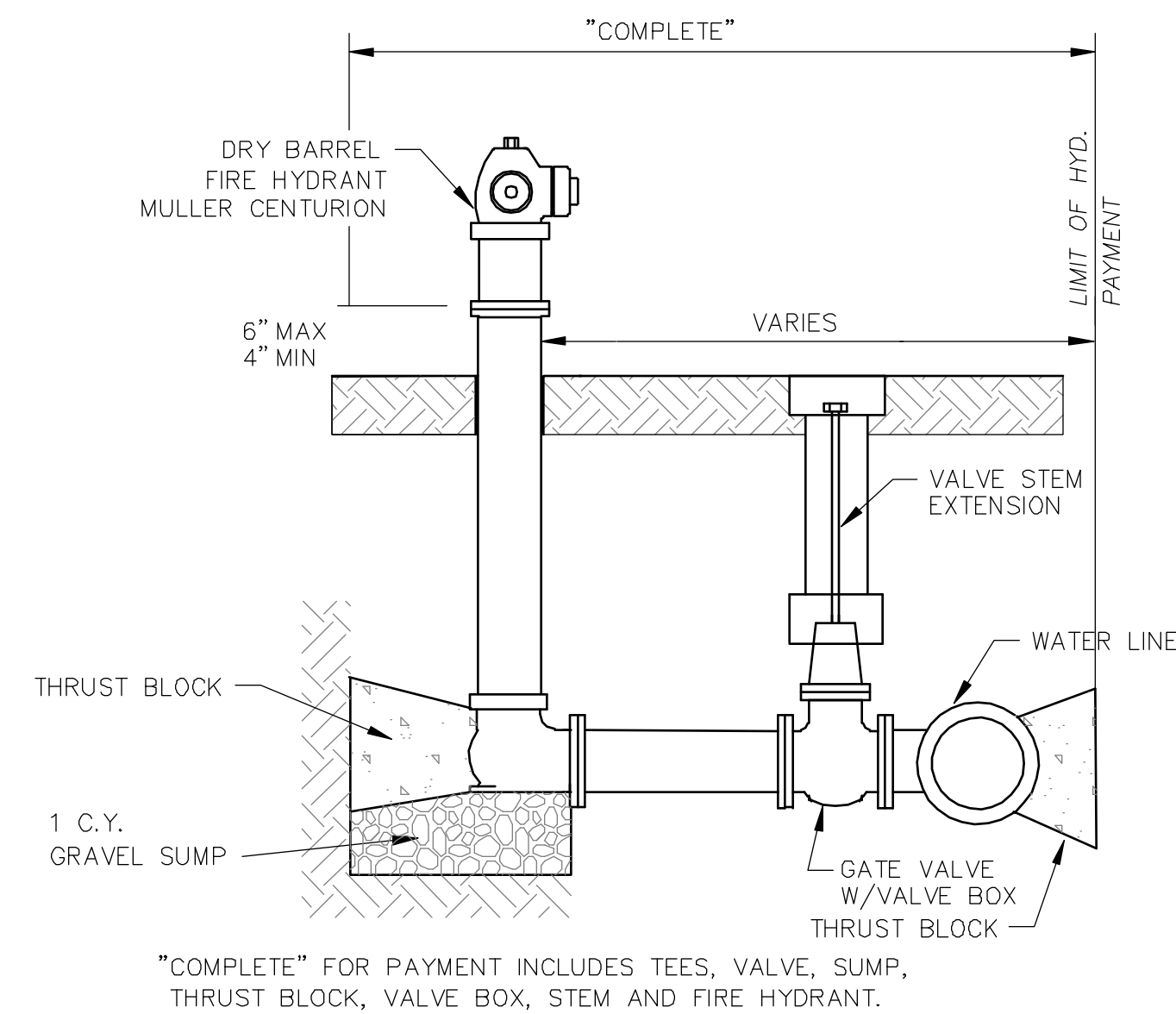


- NOTES:
- Vault design complies with ASTM C-857 and C-858 with less than 2' of earth cover and an AASHTO HS-20 loading.
  - Lifting insert type and location may change without notice.

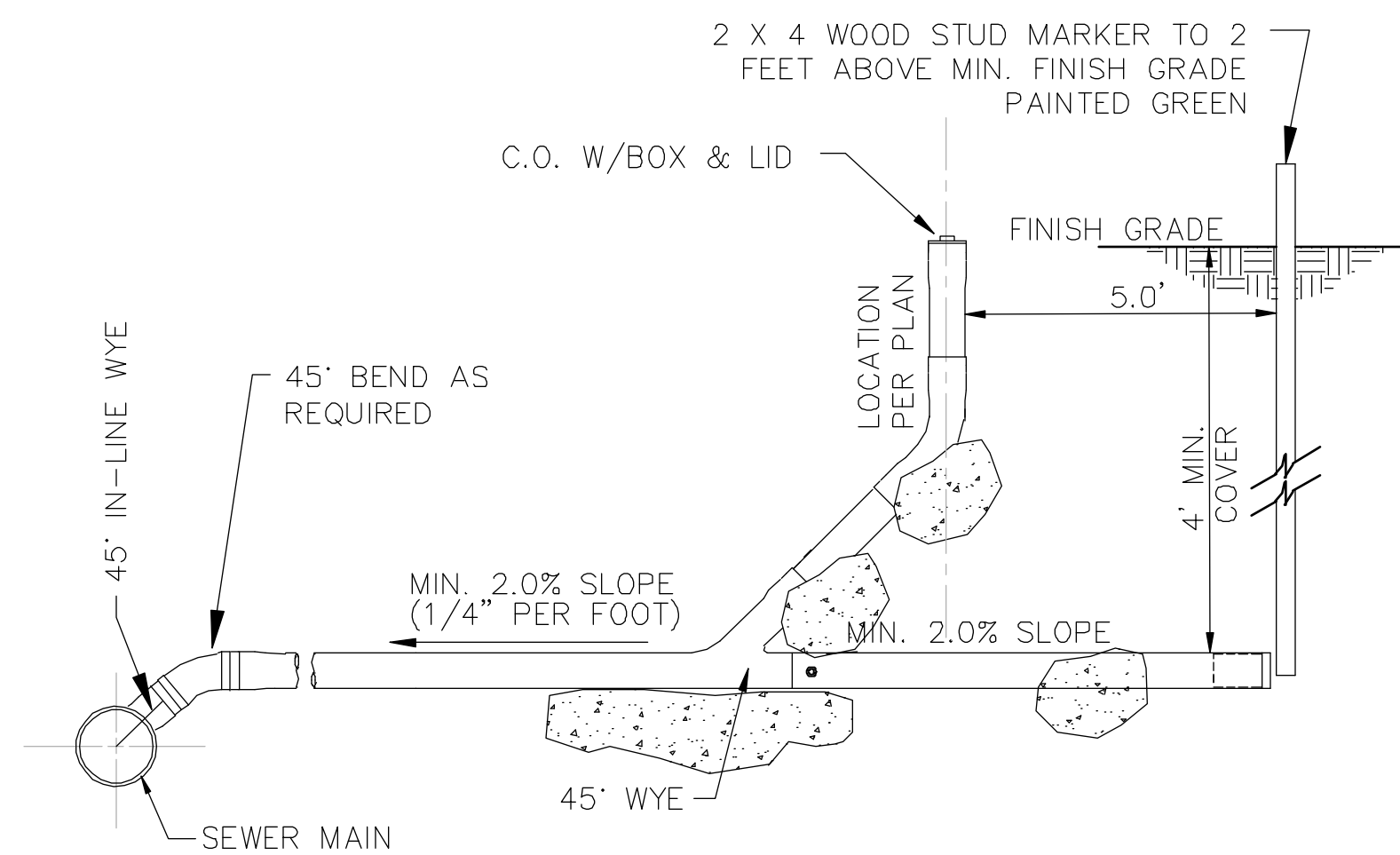
4x4 or 3x3 CATCH BASIN DETAIL  
NOT TO SCALE



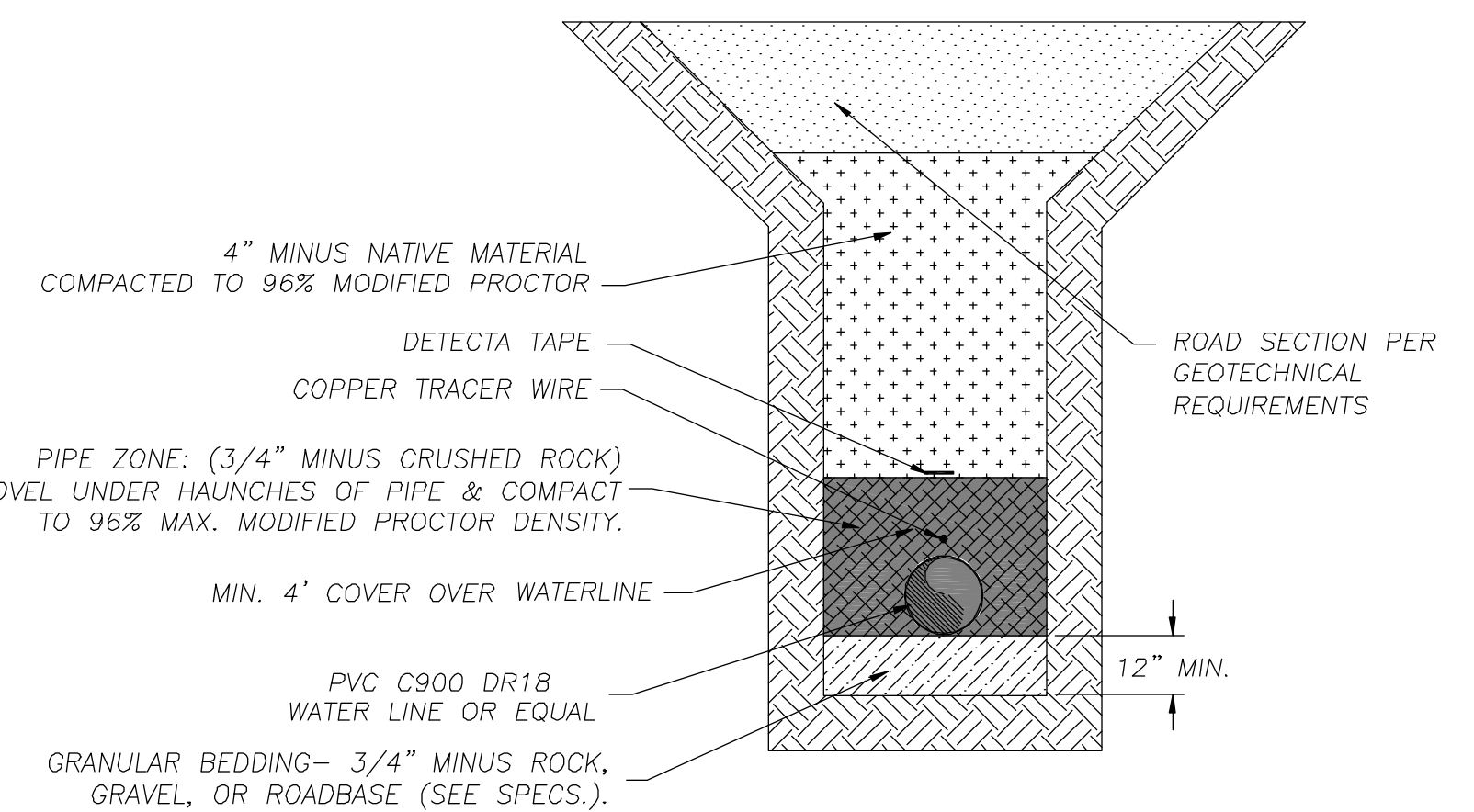
TYPICAL VALVE BOX DETAIL  
NTS



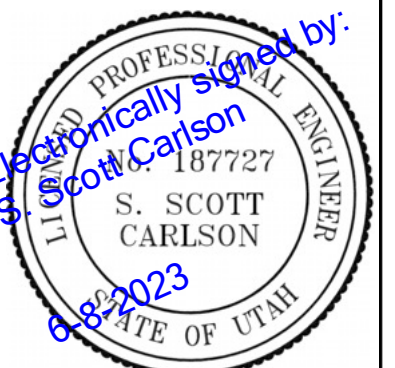
TYPICAL FIRE HYDRANT INSTALLATION  
NOT TO SCALE



SERVICE CONNECTION TO EXISTING SEWER MAIN  
NOT TO SCALE



TYPICAL WATER TRENCH DETAIL  
NOT TO SCALE



HOWARD INDUSTRIAL  
DETAILS  
WEBER COUNTY, UTAH



DWG DATE: June 2023  
PLOT DATE: 07 June 2023

SHEET