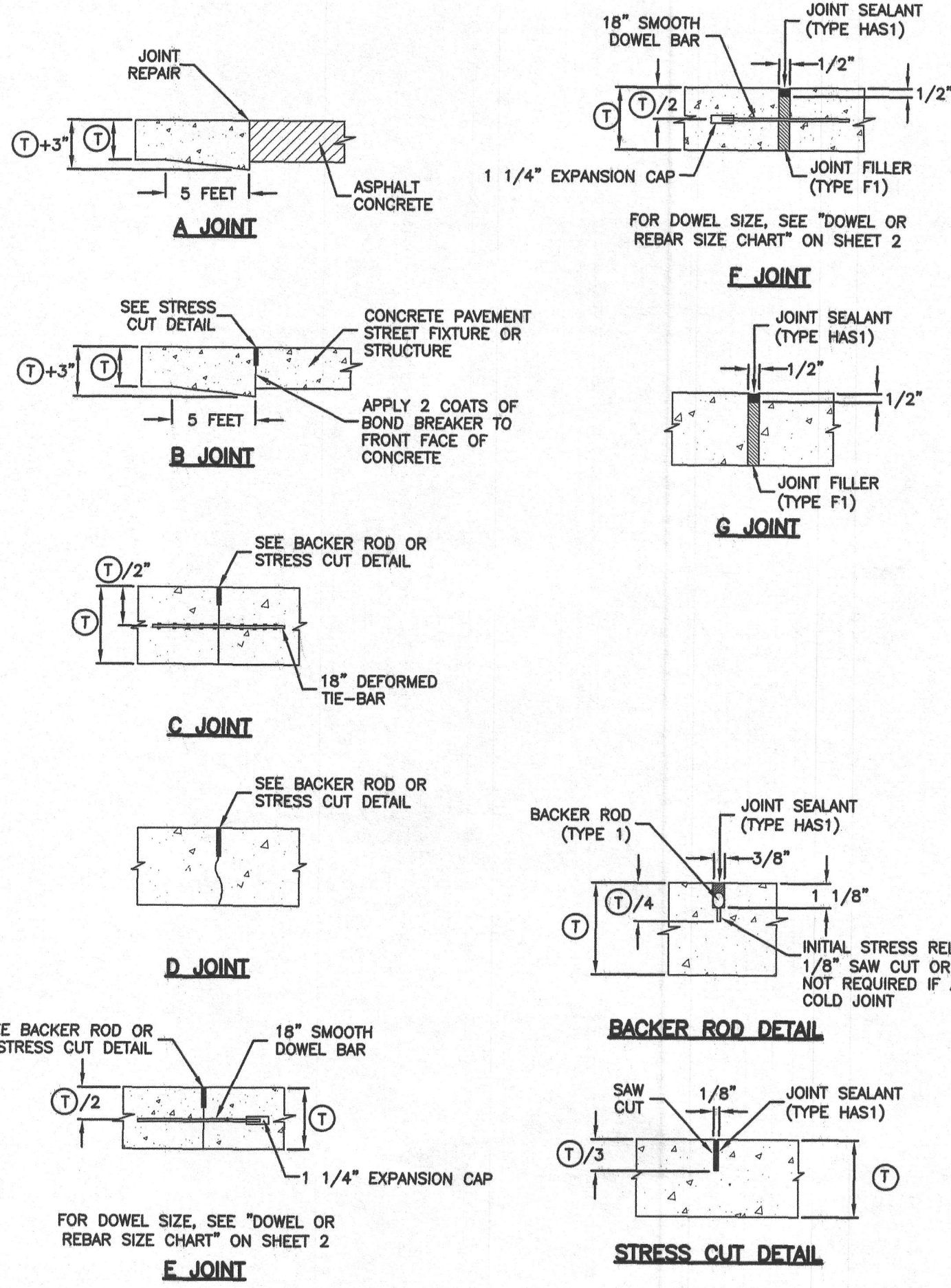
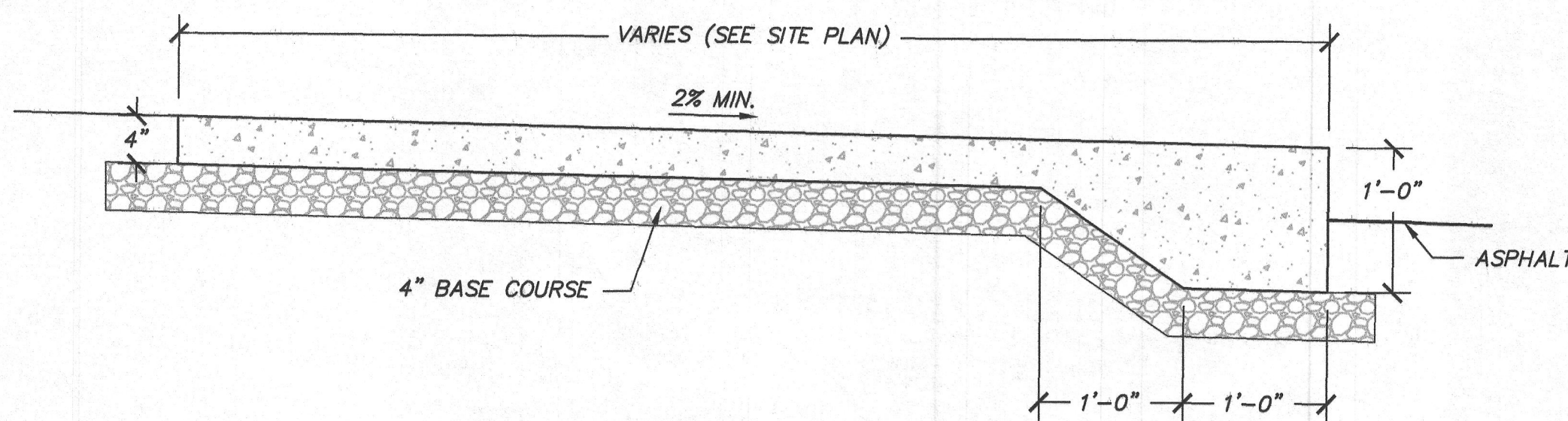


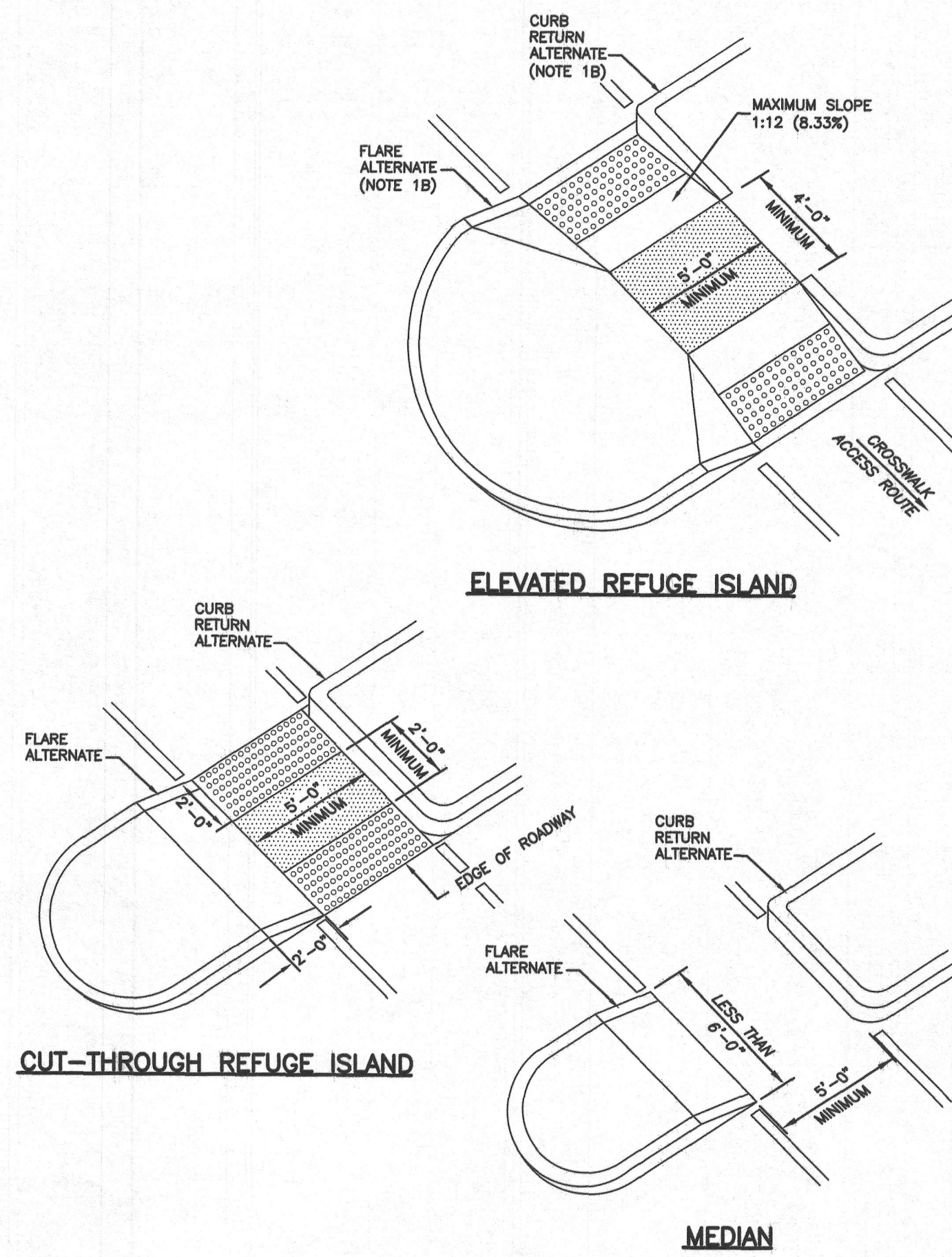
10 **SIDEWALK ENTERANCE DETAIL**
SCALE: N.T.S.



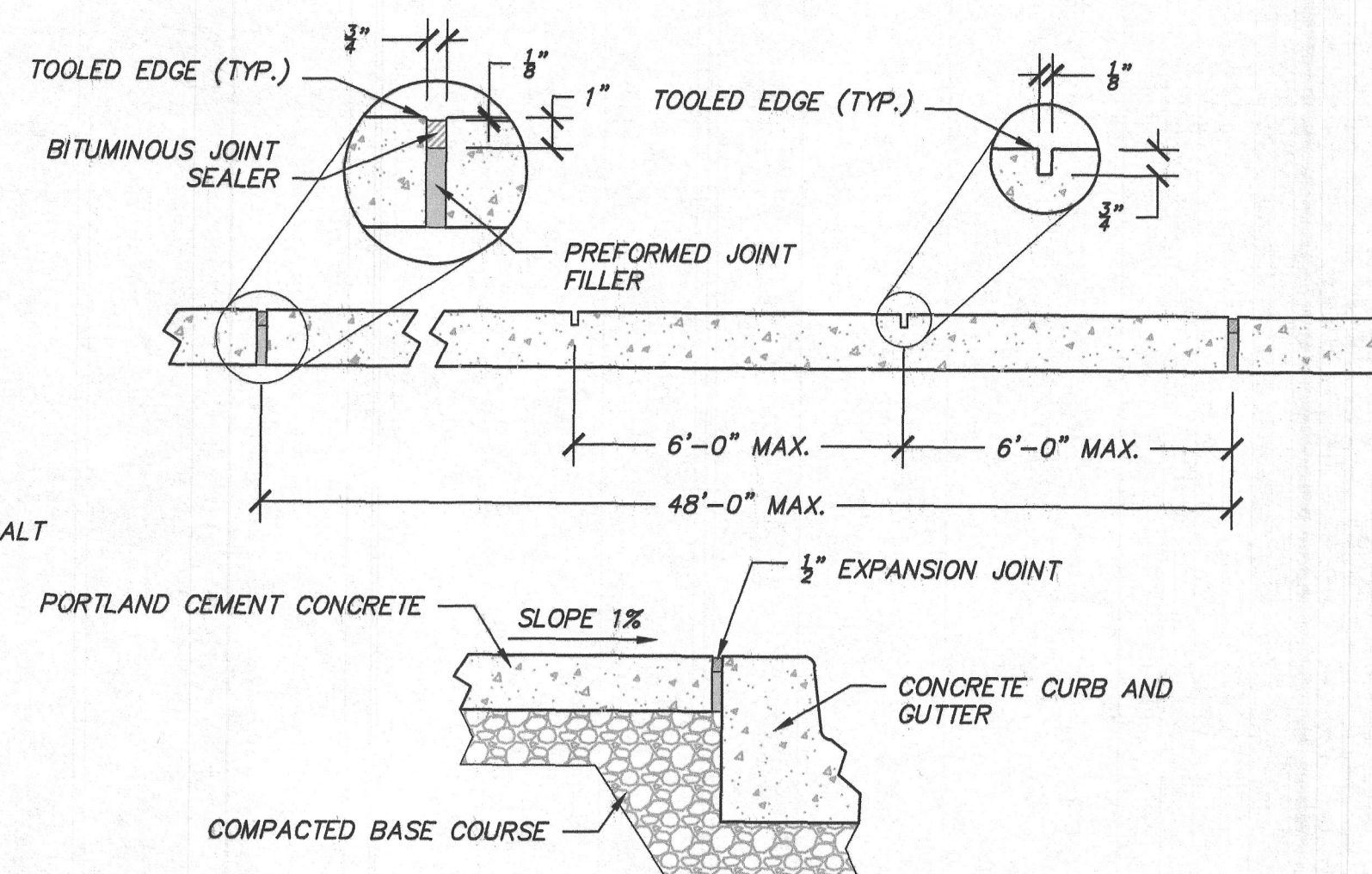
8 **CONCRETE PAVEMENT JOINTS**
SCALE: N.T.S.



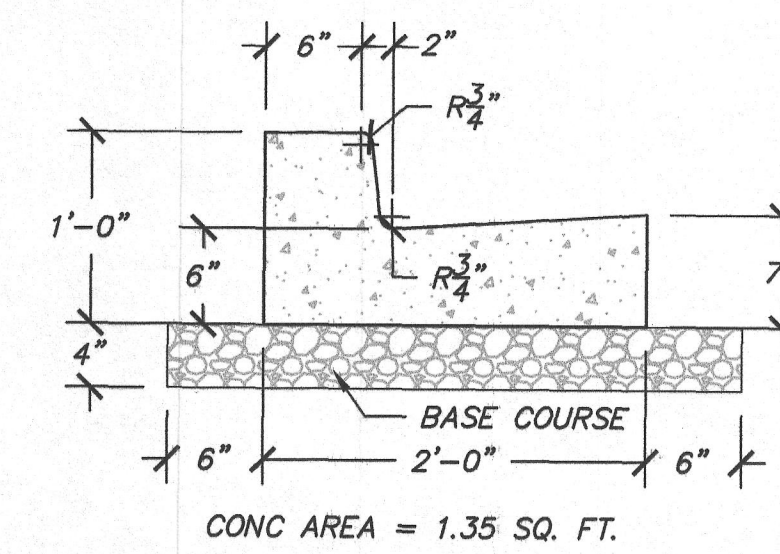
7 **SIDEWALK AT PARKING**
SCALE: N.T.S.



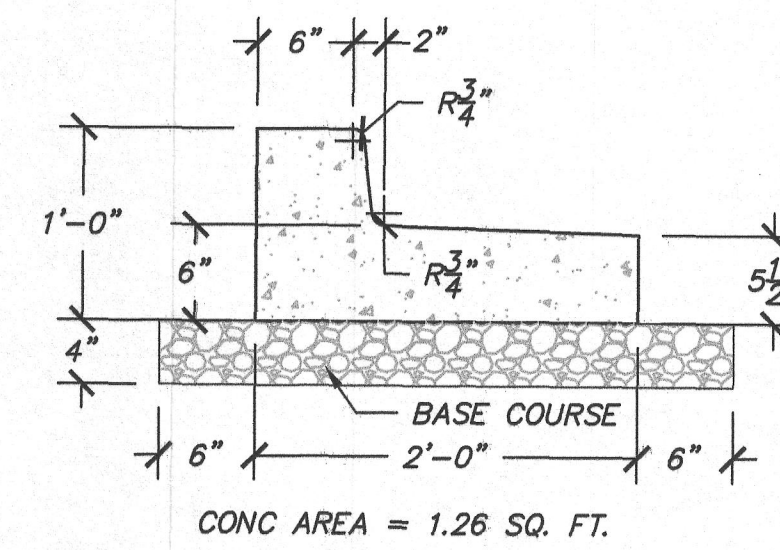
9 **ISLANDS AND MEDIAN**
SCALE: N.T.S.



6 **CONCRETE SIDEWALK**
SCALE: N.T.S.

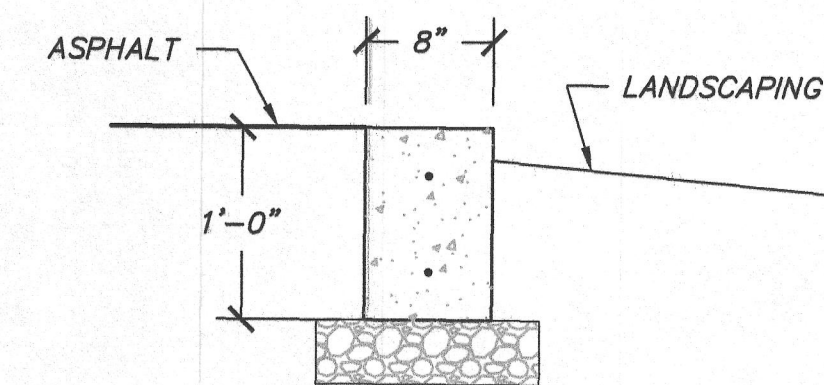


2 **24" STANDARD**
SCALE: N.T.S.



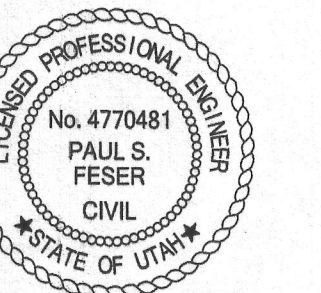
3 **24" TIP-OUT**
SCALE: N.T.S.

4 **NOT USED**
SCALE: N.T.S.



5 **8" CONCRETE BAND**
SCALE: N.T.S.

©2011 MHTN ARCHITECTS, INC.
Changes, verbal, manual, and design concepts shall not be used or reproduced in whole or part in any form or format without prior written consent of MHTN Architects, Inc. Do not scale drawings. Use given dimensions only. If not shown, verify correct dimensions with the Architect. Contractor shall check and verify all dimensions and conditions at job site.



MHTN PROJECT NO. 2012545.00
DRAWN BY: BP CHECKED BY: PF

ISSUED:	NO.	DATE	DESCRIPTION
	1	10/29/14	CONSTRUCTION DOCUMENTS
CONTRACTOR TO VERIFY DRAWINGS IN FIELD USE REFLECT LAST REVISION DATE:			
	NO.	DATE	DESCRIPTION

SHEET NAME
SITE DETAILS

CONSTRUCTION DOCUMENTS

SHEET NUMBER

CE-601

DATE: 1/28/14 TIME: 8:26:15 AM DRAWING NAME: CE-601.DWG
USER: PEF-520-25612 - CIVIL - CIVIL
APP: 14.10.2014 10:40:43 PLOT: 14.10.2014 10:40:43