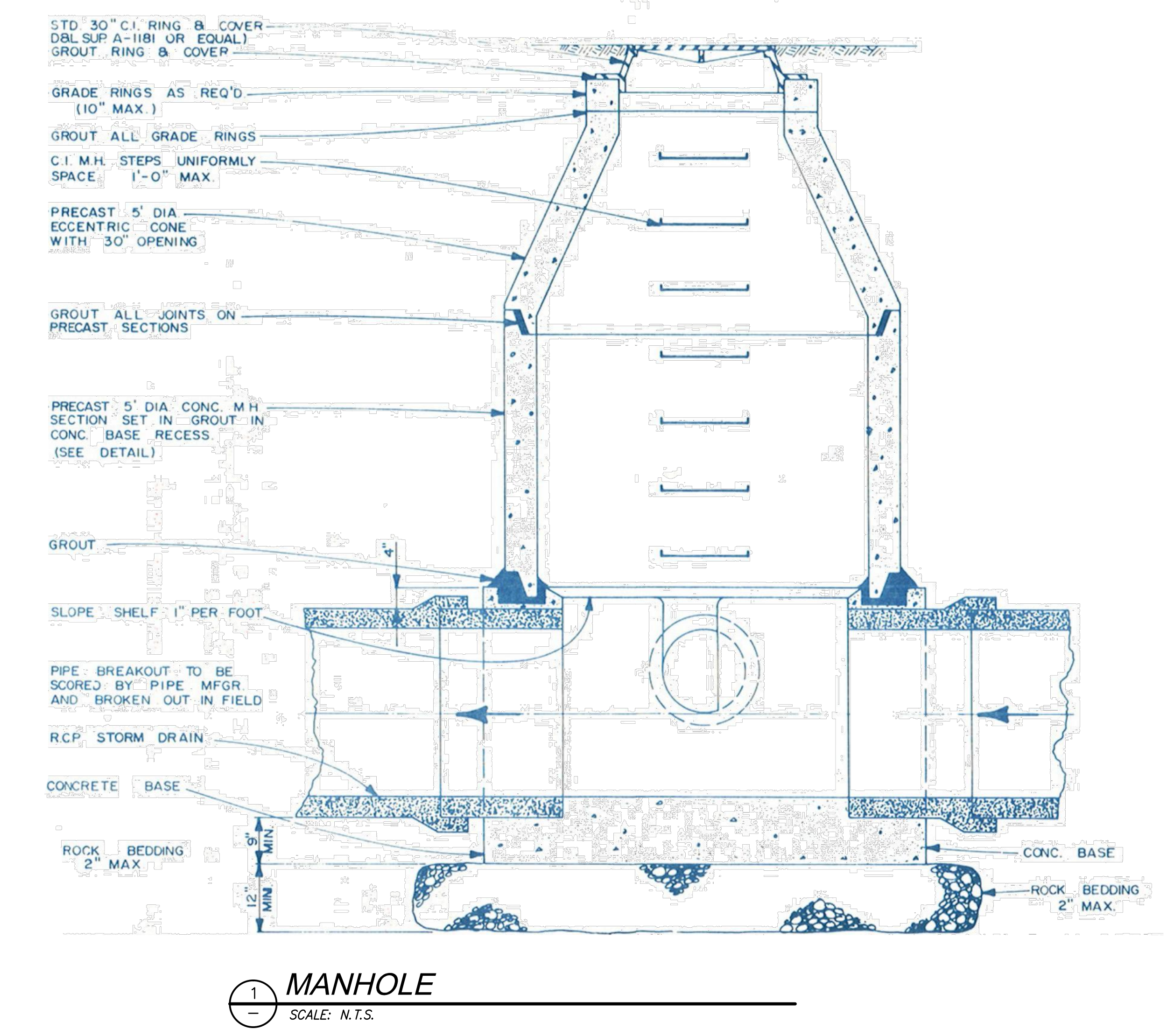
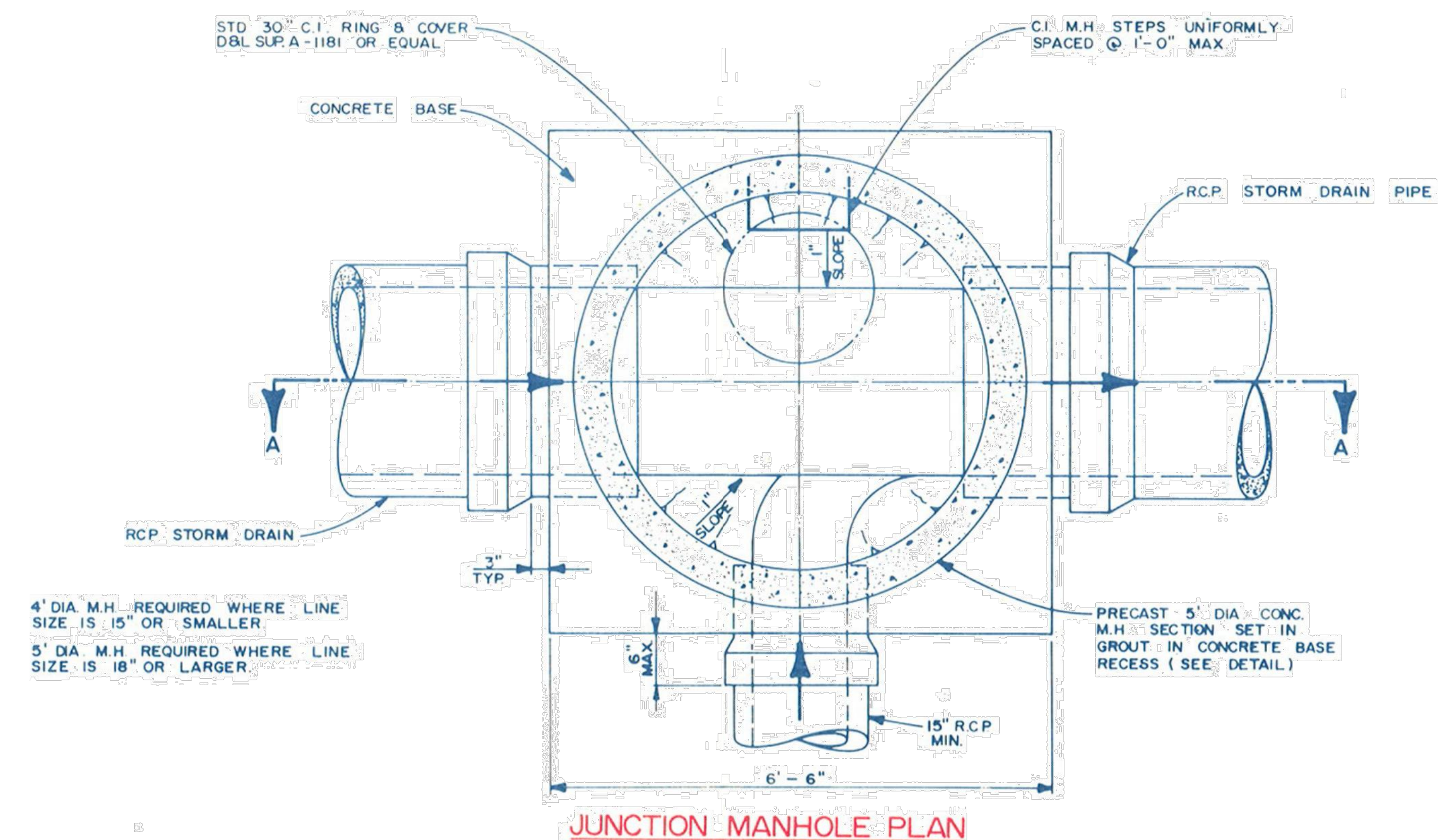
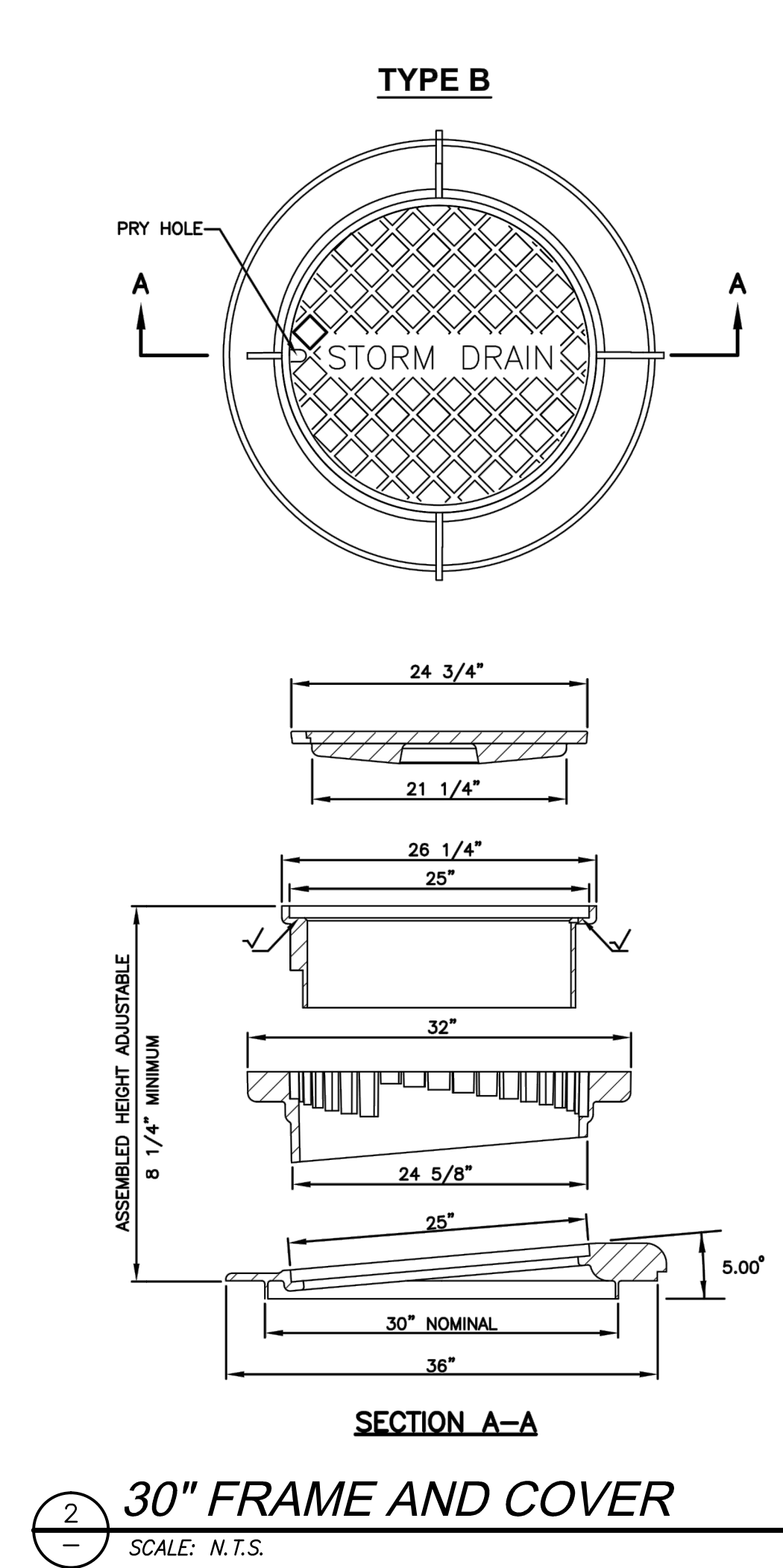


DATE: 12/21/23 TIME: 11:16:02 AM DRAWING NAME: CE-605.RWG  
SERVER: \\KUS06S01\DWG\PROJECTS\2023\12\21\23\111602\_111602.MXD  
PLOT DATE: 12/21/23 11:16:02 AM PLOT TIME: 11:16:02 AM

BP  
XREFS: MNTN - 3042, ZMVA, EXPN, IPNOTES, EDIT, PRRW



©2011 MHTN ARCHITECTS, INC.  
Drawings, written material, and design concepts shall not be used or reproduced in whole or in part in any form or by any means, without prior written consent of MHTN ARCHITECTS, INC. All dimensions are in feet unless otherwise specified. If not shown, verify correct dimensions with the Architect. Contractor shall check and verify all dimensions and conditions at job site.

MHTN PROJECT NO. 2012545.00  
DRAWN BY: Author CHECKED BY: Checker

ISSUED:

NO.	DATE	DESCRIPTION

CONTRACTOR TO VERIFY DRAWINGS IN FIELD USE REFLECT LAST REVISION DATE.

NO.	DATE	DESCRIPTION