

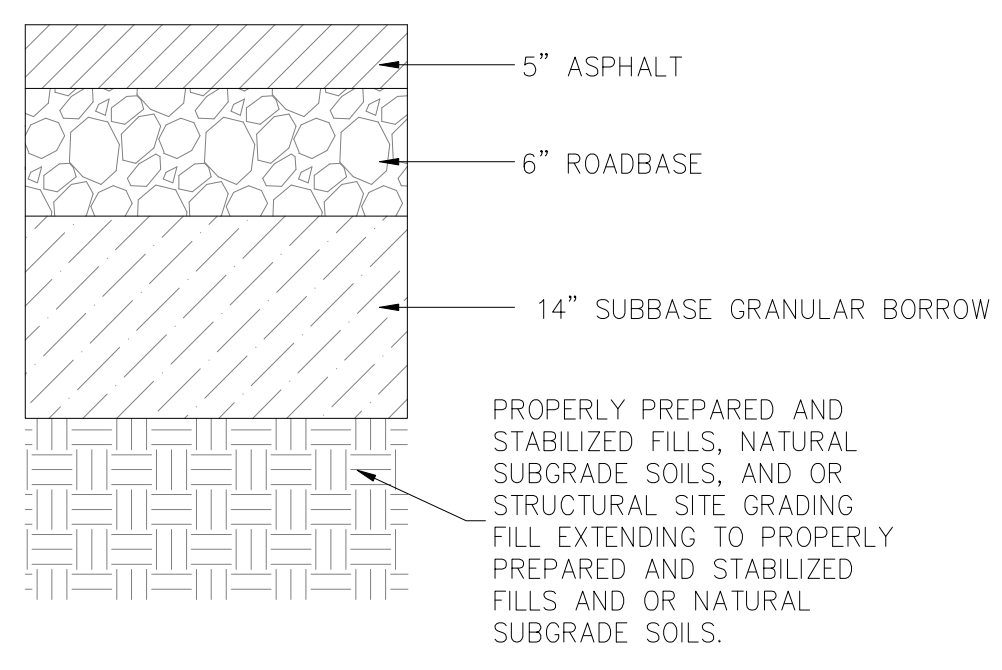


HOWARD INDUSTRIAL
DETAILS
WEBER COUNTY, UTAH

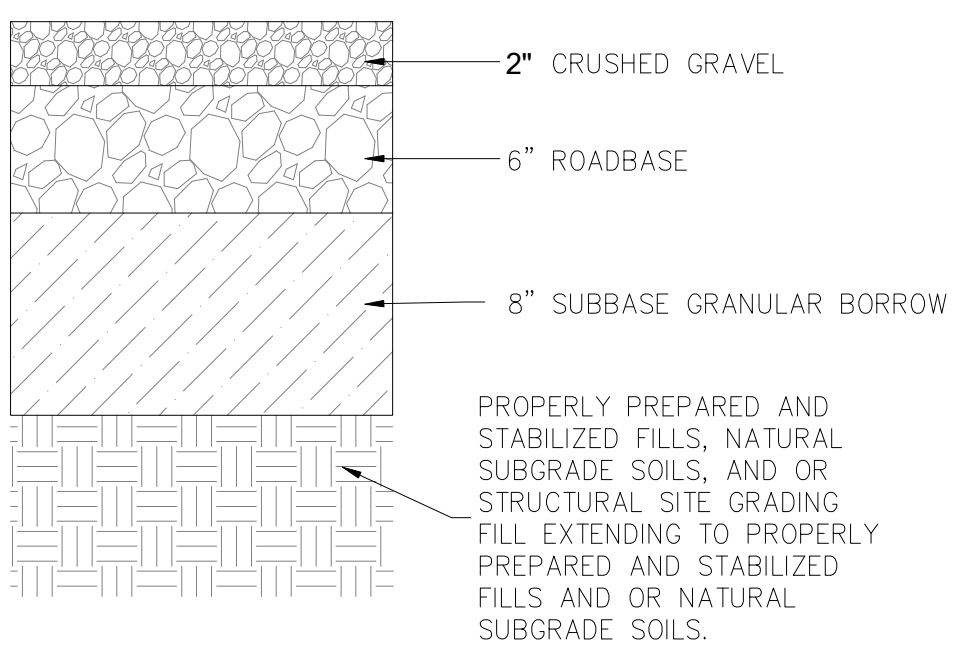
TWIN PEAKS
Engineering & Land Surveying
2264 NORTH 1450 EAST LEHI, UTAH 84043
(801) 450-3511

DWG DATE: March 2023
PLOT DATE: 16 March 2023

SHEET
4

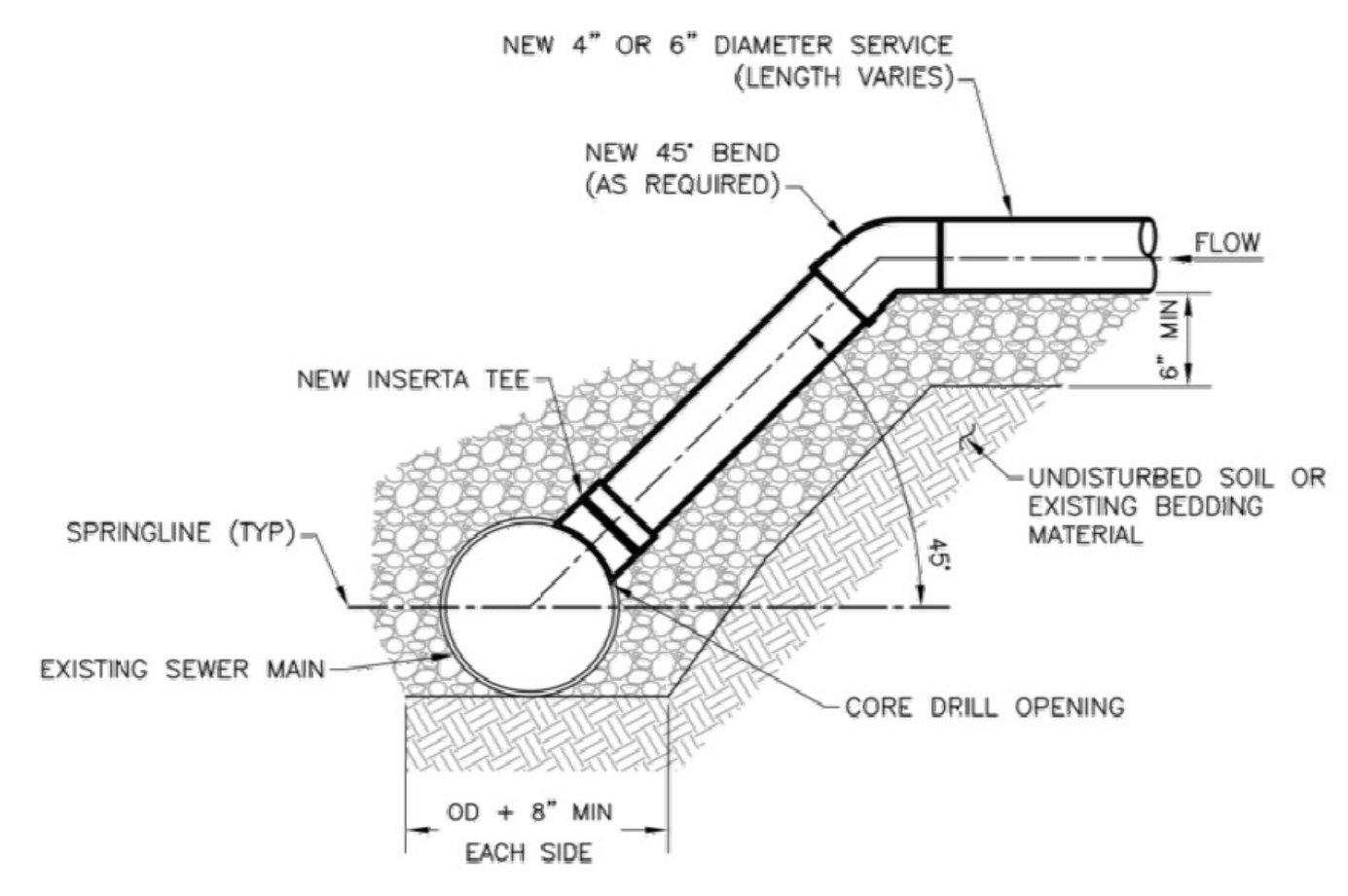


SECTION ONE

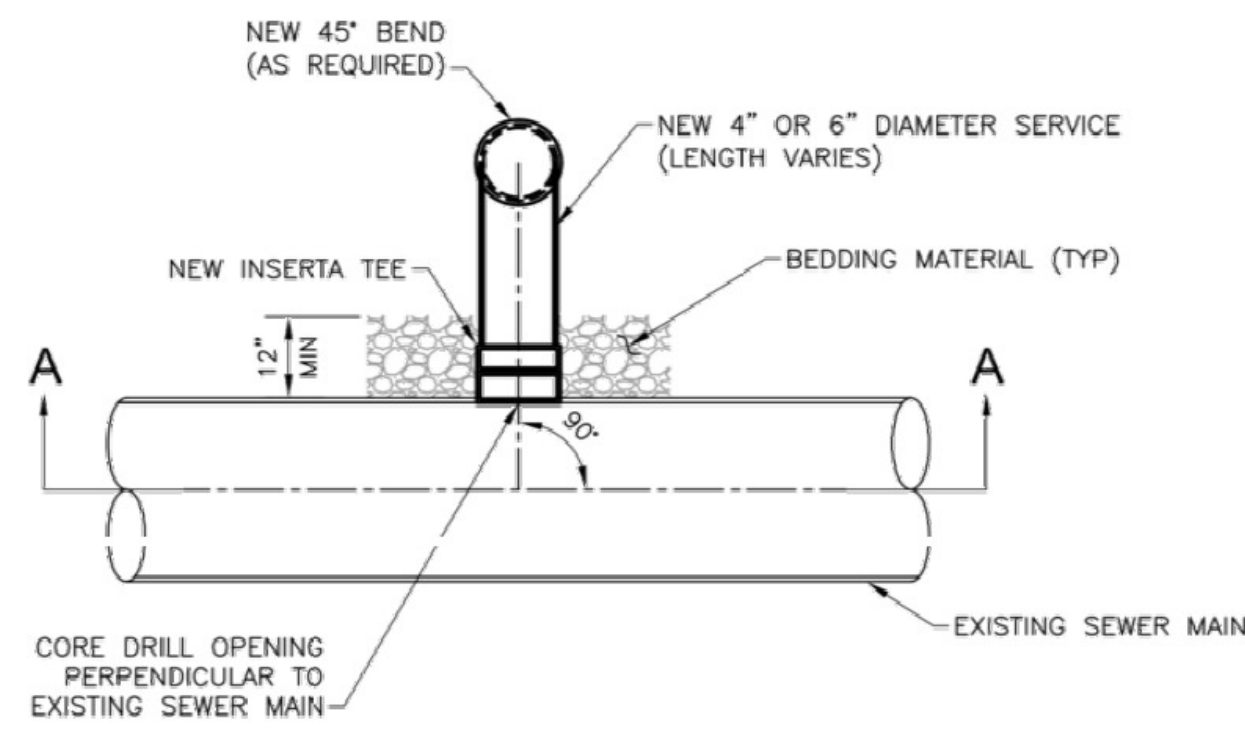


SECTION TWO

ROAD STRUCTURAL SECTION
N.T.S.



SECTION AA

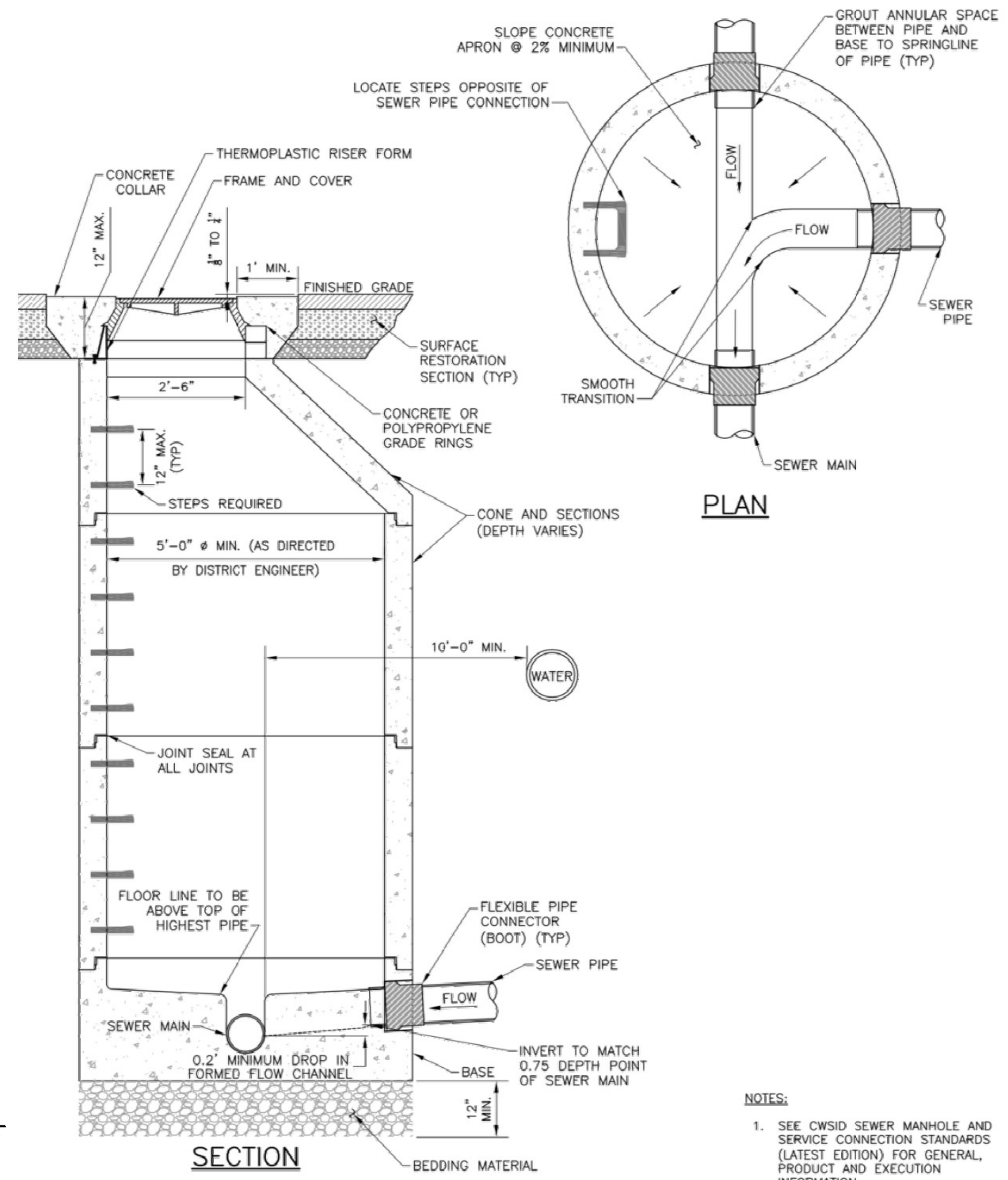


PLAN

NOTES:
1. SEE CWSID SEWER MANHOLE AND SERVICE CONNECTION STANDARD (LATEST EDITION) FOR GENERAL PRODUCT AND EXECUTION INFORMATION.

SERVICE CONNECTION TO EXISTING SEWER MAIN LINE

NTS



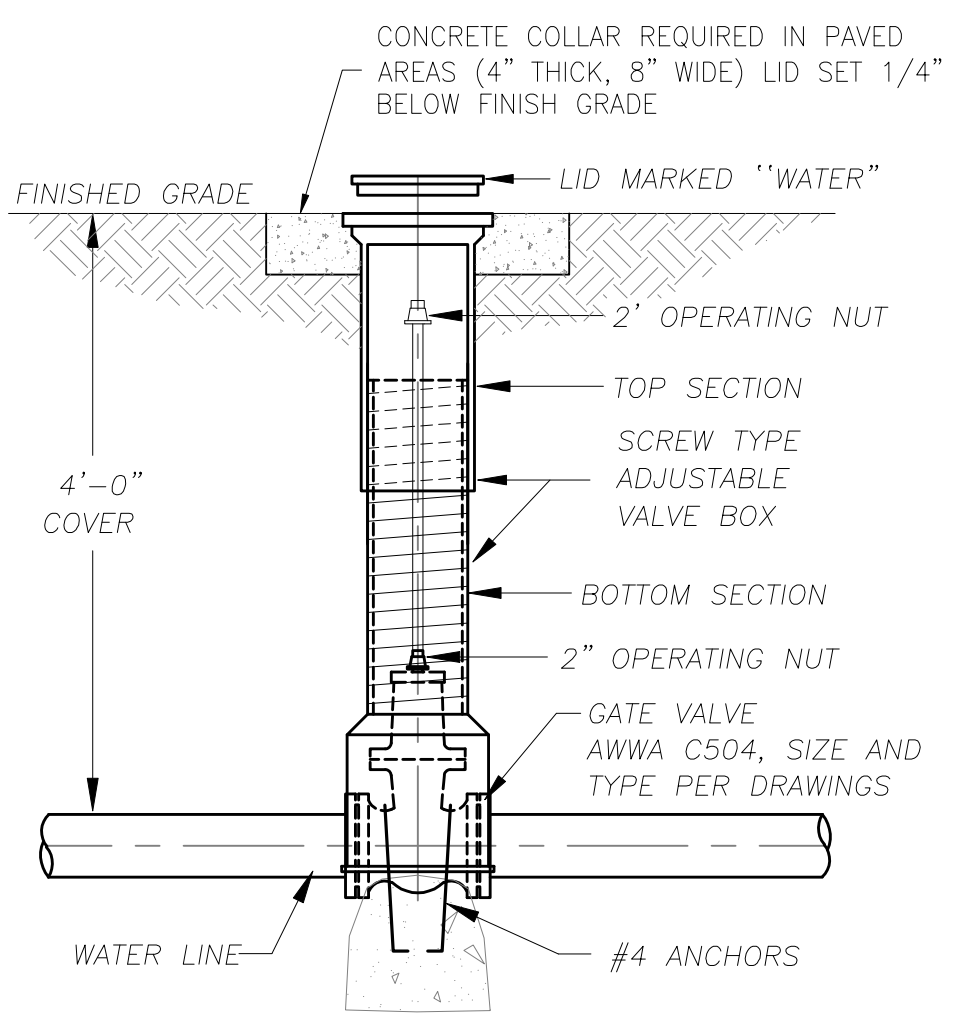
SECTION

PLAN

NOTES:
1. SEE CWSID SEWER MANHOLE AND SERVICE CONNECTION STANDARDS (LATEST EDITION) FOR GENERAL PRODUCT AND EXECUTION INFORMATION.

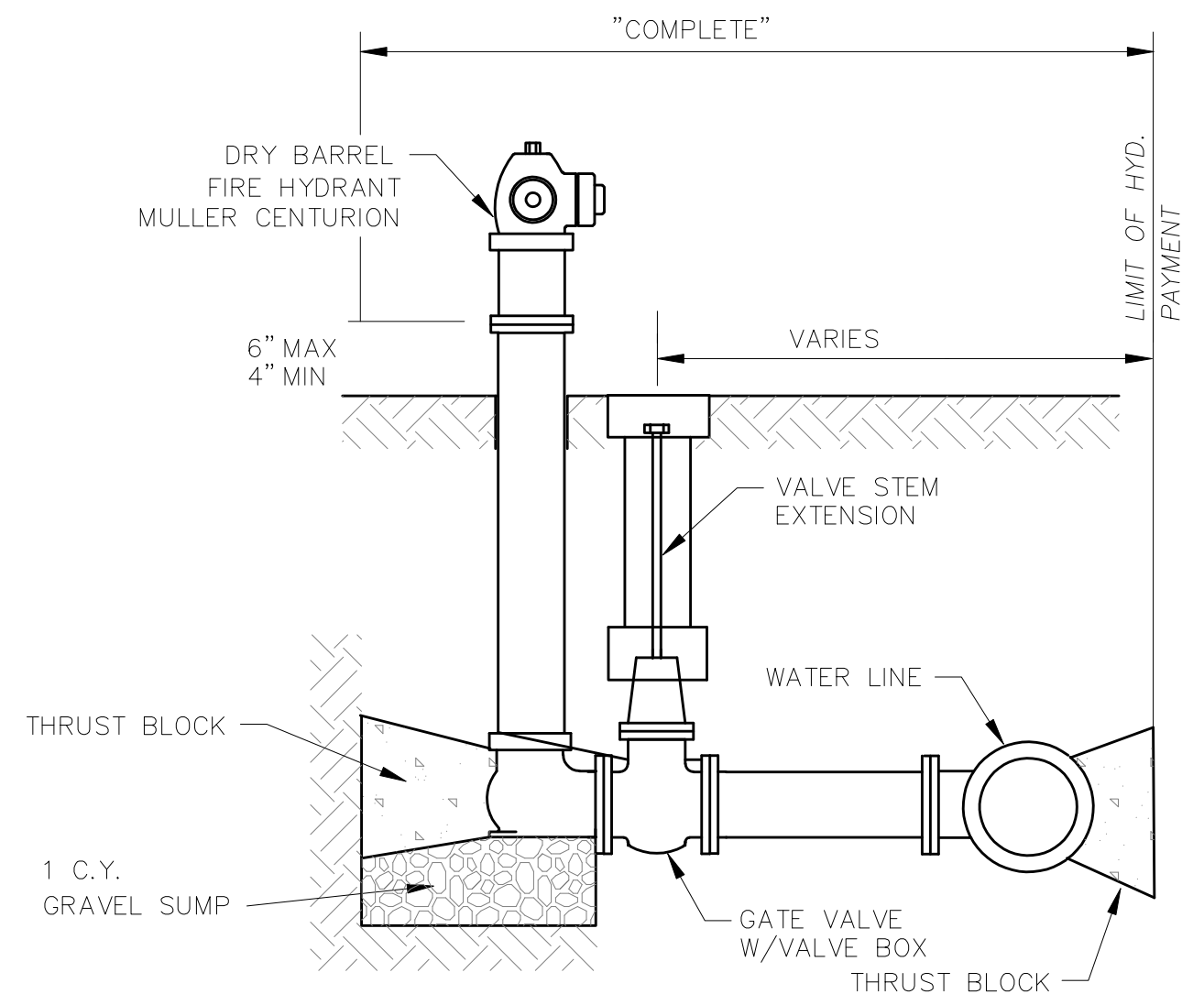
STANDARD MANHOLE DETAIL

NTS



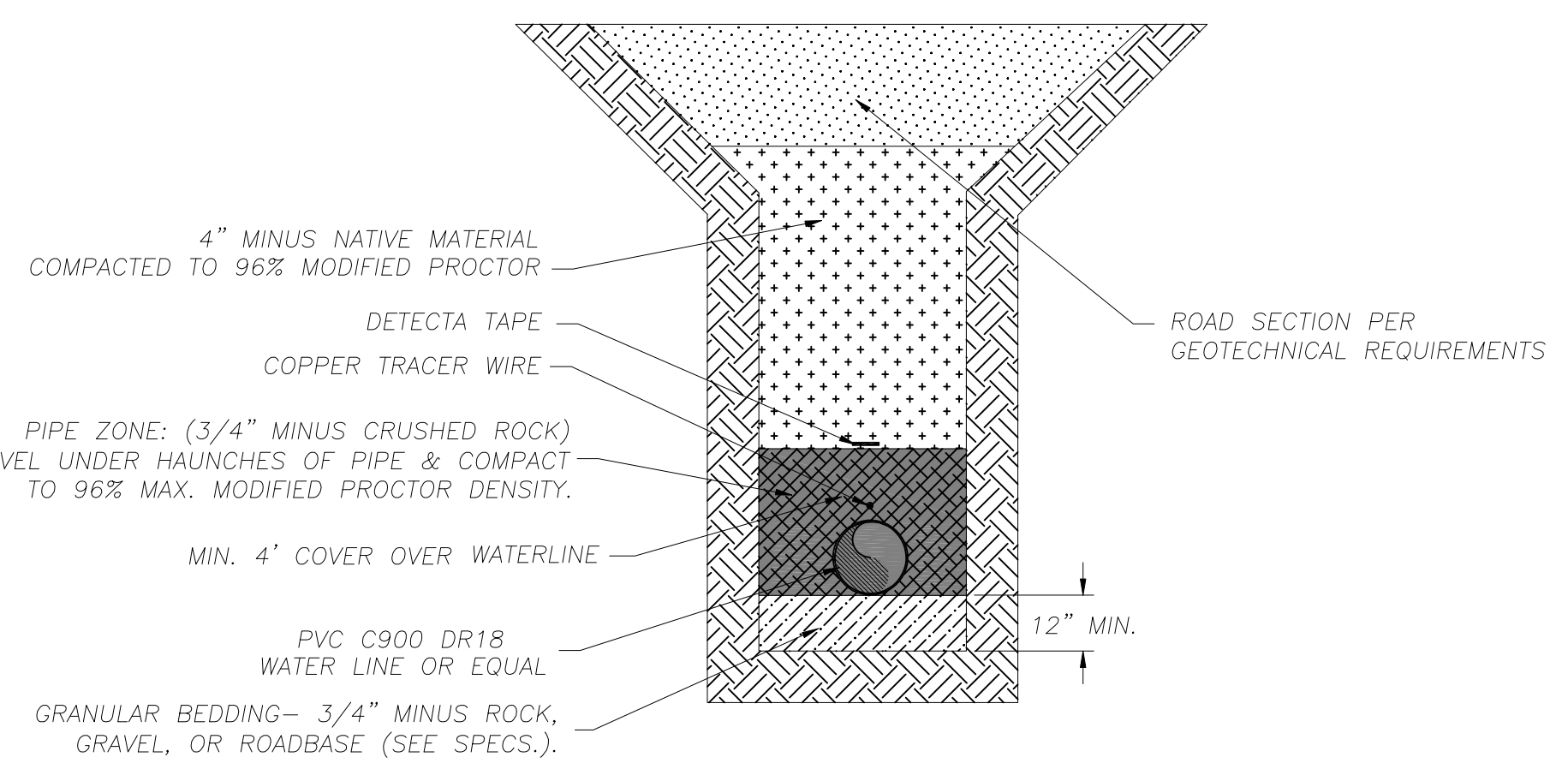
TYPICAL VALVE BOX DETAIL

NTS



TYPICAL FIRE HYDRANT INSTALLATION

NOT TO SCALE



TYPICAL WATER TRENCH DETAIL

NOT TO SCALE