

ROPELATO ESTATES SUBDIVISION

WEBER COUNTY, UTAH
 A PART OF THE NORTHWEST QUARTER OF SECTION 21,
 TOWNSHIP 6 NORTH, RANGE 2 WEST, SALT LAKE BASE & MERIDIAN
 DECEMBER 2022

SUGGESTION ONLY:
 THERE IS A "ROPELATO SUBDIVISION" RECORDED. THIS NAME WILL WORK HOWEVER THE (ESTATES) WILL NEED TO STAY IN THE TITLE (NAME) OF THIS SUBDIVISION.

AGRICULTURAL NOTE

AGRICULTURE IS THE PREFERRED USE IN THE AGRICULTURE ZONES. AGRICULTURE OPERATIONS AS SPECIFIED IN THE ZONING ORDINANCE FOR A PARTICULAR ZONE ARE PERMITTED AT ANY TIME INCLUDING THE OPERATION OF FARM MACHINERY AND NO ALLOWED AGRICULTURE USE SHALL BE SUBJECT TO RESTRICTION ON THAT IT INTERFERES WITH ACTIVITIES OF FUTURE RESIDENTS OF THIS SUBDIVISION

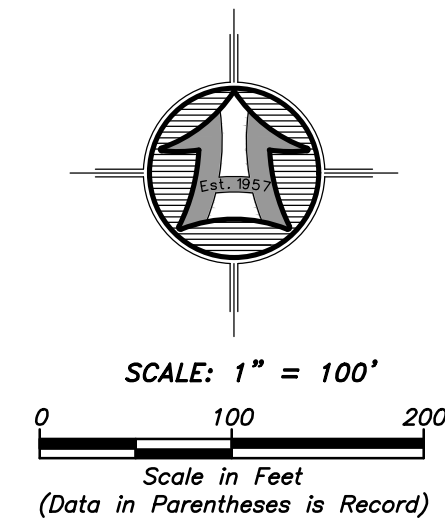
NOTES:

1 - ALL PUBLIC UTILITY EASEMENTS (P.U.E.) ARE 10.0 FOOT WIDE UNLESS OTHERWISE NOTED.

NARRATIVE

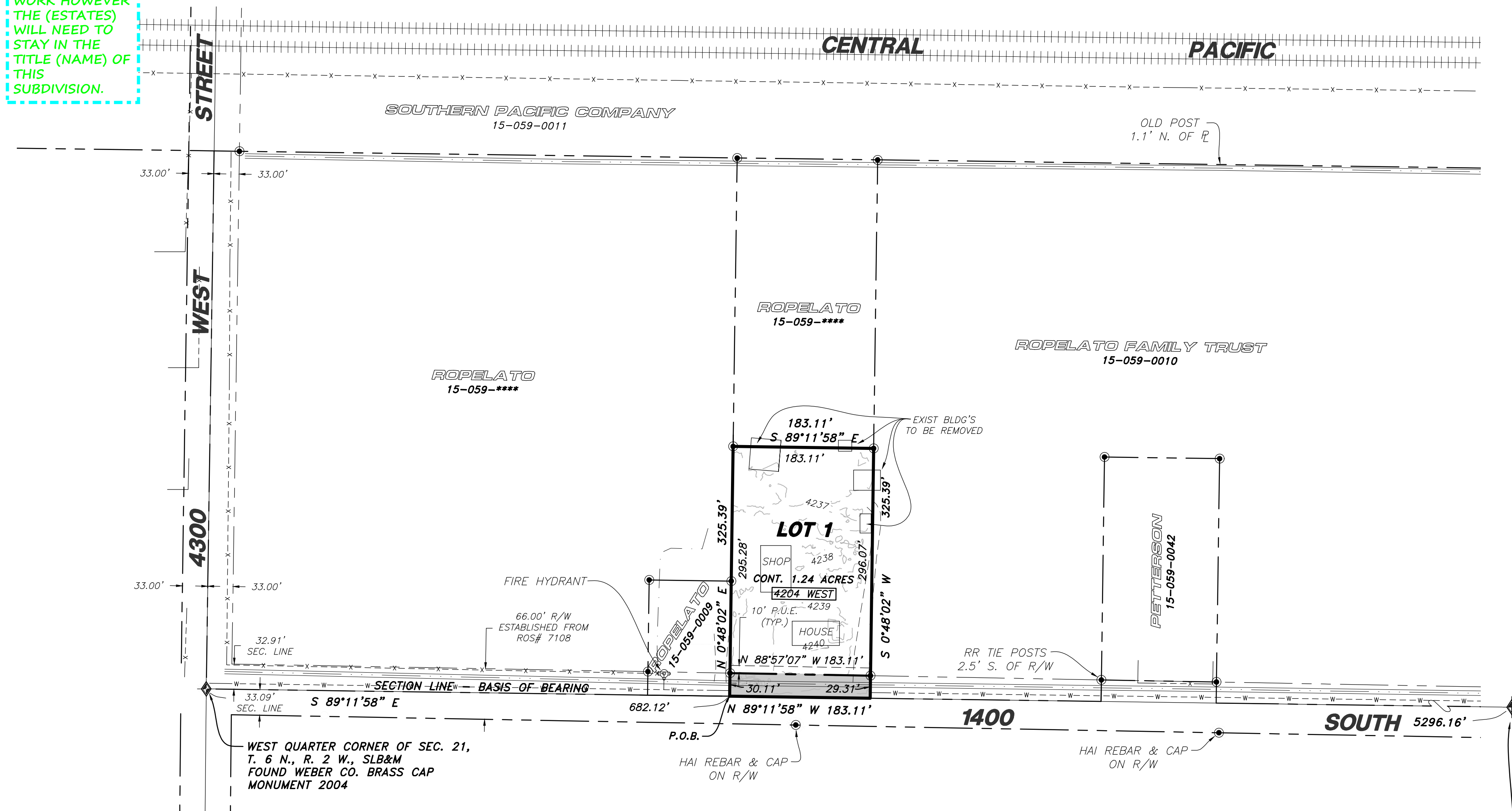
THE PURPOSE OF THIS SURVEY WAS TO ESTABLISH AND SET THE PROPERTY CORNERS OF THE ONE LOT SUBDIVISION AS SHOWN AND DESCRIBED HEREON. THIS SURVEY WAS ORDERED BY RICK ROPELATO. THE CONTROL USED TO ESTABLISH THE PROPERTY CORNERS WAS THE EXISTING WEBER COUNTY SURVEY MONUMENTATION SURROUNDING SECTION 21, T6N, R2W, SLB&M.

THE BASIS OF BEARING IS THE EAST / WEST CENTER SECTION LINE OF SAID SECTION WHICH BEARS SOUTH 89°11'58" EAST, UTAH NORTH, STATE PLANE, CALCULATED N.A.D.83 BEARING.



LEGEND

- SUBJECT PROPERTY LINE
- - - ADJOINING SUBDIVISION
- ADJOINING PROPERTY LINE
- CENTERLINE
- - - PUBLIC UTILITY EASEMENT (PUE)
- - - FENCE LINE
- - - DITCH
- - - TOP BANK
- - - EDGE OF GRAVEL
- - - EXISTING WATER
- - - EXISTING 5.0' CONTOUR
- - - EXISTING 1.0' CONTOUR
- - - ROADWAY DEDICATION
- FOUND REBAR SET BY HAI
- SET 5/8"x24" REBAR WITH CAP
- SECTION CORNER

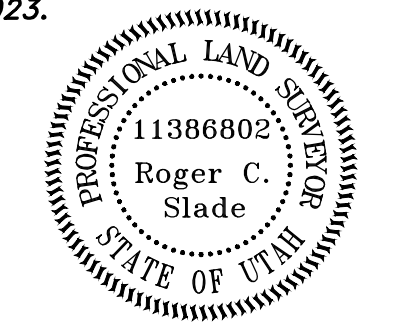


SURVEYOR'S CERTIFICATE

I, ROGER C. SLADE, DO HEREBY CERTIFY THAT I AM A REGISTERED PROFESSIONAL LAND SURVEYOR IN THE STATE OF UTAH IN ACCORDANCE WITH TITLE 58, CHAPTER 22, PROFESSIONAL ENGINEERS AND PROFESSIONAL LAND SURVEYORS ACT; AND I HAVE COMPLETED A SURVEY OF THE PROPERTY DESCRIBED ON THIS PLAT IN ACCORDANCE WITH SECTION 17-23-17, AND HAVE VERIFIED ALL MEASUREMENTS, AND HAVE PLACED MONUMENTS AS REPRESENTED ON THIS PLAT, AND HAVE HEREBY SUBDIVIDED SAID TRACT INTO ONE (1) LOT, KNOWN HEREAFTER AS ROPELATO ESTATES SUBDIVISION IN WEBER COUNTY, UTAH, AND HAS BEEN CORRECTLY DRAWN TO THE DESIGNATED SCALE AND IS TRUE AND CORRECT REPRESENTATION OF THE HEREIN DESCRIBED LANDS INCLUDED IN SAID SUBDIVISION, BASED UPON DATA COMPILED FROM RECORDS IN THE WEBER COUNTY RECORDER'S OFFICE AND FROM SAID SURVEY MADE BY ME OR UNDER MY SUPERVISION ON THE GROUND, I FURTHER HEREBY CERTIFY THAT THE REQUIREMENTS OF ALL APPLICABLE STATUTES AND ORDINANCES OF WEBER COUNTY CONCERNING ZONING REQUIREMENTS REGARDING LOT MEASUREMENTS HAVE BEEN COMPLIED WITH.

SIGNED THIS _____ DAY OF _____, 2023.

ROGER C. SLADE, P.L.S.
 UTAH LAND SURVEYOR LICENCE NO. 11386802



SUBDIVISION BOUNDARY DESCRIPTION

A PART OF THE NORTHWEST QUARTER OF SECTION 21, TOWNSHIP 6 NORTH, RANGE 2 WEST OF THE SALT LAKE BASE AND MERIDIAN.

BEGINNING AT A POINT ON THE SOUTH LINE OF SAID NORTHWEST QUARTER LOCATED 682.12 FEET SOUTH 89°11'58" EAST ALONG SAID SOUTH LINE FROM THE WEST QUARTER CORNER OF SAID SECTION 21;

RUNNING THENCE NORTH 00°48'02" EAST 325.39 FEET; THENCE SOUTH 89°11'58" EAST 183.11 FEET; THENCE SOUTH 00°48'02" WEST 325.39 FEET TO THE SOUTH LINE OF SAID NORTHWEST QUARTER; THENCE NORTH 89°11'58" WEST 183.11 FEET ALONG SAID SOUTH LINE TO THE POINT OF BEGINNING. CONTAINING 1.368 ACRES.

OWNER'S DEDICATION AND CERTIFICATION

WE THE UNDERSIGNED OWNERS OF THE HEREIN DESCRIBED TRACT OF LAND, DO HEREBY SET APART AND SUBDIVIDE THE SAME INTO LOTS AND STREETS AS SHOWN HERON AND NAME SAID TRACT ROPELATO ESTATES SUBDIVISION, AND DO HEREBY DEDICATE TO PUBLIC USE ALL THOSE PARTS OR PORTIONS OF SAID TRACT OF LAND DESIGNATED AS STREETS, THE SAME TO BE USED AS PUBLIC THOROUGHFARES. WE ALSO GRANT AND DEDICATE A PERPETUAL RIGHT AND EASEMENT OVER, UPON AND UNDER THE LANDS DESIGNATED HEREOF AS PUBLIC UTILITY, STORM WATER DETENTION PONDS DRAINAGE EASEMENTS AND CANAL MAINTENANCE EASEMENT, THE SAME TO BE USED FOR THE INSTALLATION MAINTENANCE AND OPERATION OF PUBLIC UTILITY SERVICE LINE, STORM DRAINAGE FACILITIES, IRRIGATION CANALS OR FOR THE PERPETUAL PRESERVATION OF WATER CHANNELS IN THEIR NATURAL STATE WHICHEVER IS APPLICABLE AS MAY BE AUTHORIZED BY THE GOVERNING AUTHORITY, WITH NO BUILDINGS OR STRUCTURES BEING ERRECTED WITHIN SUCH EASEMENTS.

SIGNED THIS _____ DAY OF _____, 2023.

CHARLES AND LOUISE ROPELATO FAMILY LIVING TRUST DATED OCTOBER 28, 2004

WEBER COUNTY ATTORNEY

I HAVE EXAMINED THE FINANCIAL GUARANTEE AND OTHER DOCUMENTS ASSOCIATED WITH THIS SUBDIVISION PLAT, AND IN MY OPINION THEY CONFORM WITH THE COUNTY ORDINANCE APPLICABLE THERETO AND NOW IN FORCE AND AFFECT SIGNED THIS _____ DAY OF _____, 20__.

 WEBER COUNTY ATTORNEY

WEBER COUNTY ENGINEER

I HEREBY CERTIFY THAT THE REQUIRED PUBLIC IMPROVEMENT STANDARDS AND DRAWINGS FOR THIS SUBDIVISION CONFORM WITH THE COUNTY STANDARDS AND THE AMOUNT OF THE FINANCIAL GUARANTEE IS SUFFICIENT FOR THE INSTALLATION OF THESE IMPROVEMENTS. SIGNED THIS _____ DAY OF _____, 20__.

 WEBER COUNTY ENGINEER

WEBER COUNTY PLANNING COMMISSION APPROVAL

THIS IS TO CERTIFY THAT THIS SUBDIVISION PLAT WAS DULY APPROVED BY THE WEBER COUNTY PLANNING COMMISSION. SIGNED THIS _____ DAY OF _____, 20__.

 CHAIRMAN, WEBER COUNTY PLANNING COMMISSION

WEBER-MORGAN HEALTH DEPARTMENT

I HEREBY CERTIFY THAT THE SOILS, PERCOLATION RATES, AND SITE CONDITIONS FOR THIS SUBDIVISION HAVE BEEN INVESTIGATED BY THIS OFFICE AND ARE APPROVED FOR ON-SITE WASTEWATER DISPOSAL SYSTEMS. SIGNED THIS _____ DAY OF _____, 20__.

 WEBER-MORGAN HEALTH DEPARTMENT

BONA VISTA WATER APPROVAL

THIS IS TO CERTIFY THAT THIS SUBDIVISION PLAT WAS DULY APPROVED BY BONA VISTA WATER. SIGNED THIS _____ DAY OF _____, 20__.

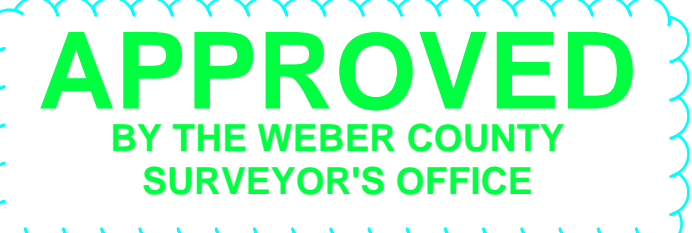
 BONA VISTA WATER

WEBER COUNTY SURVEYOR

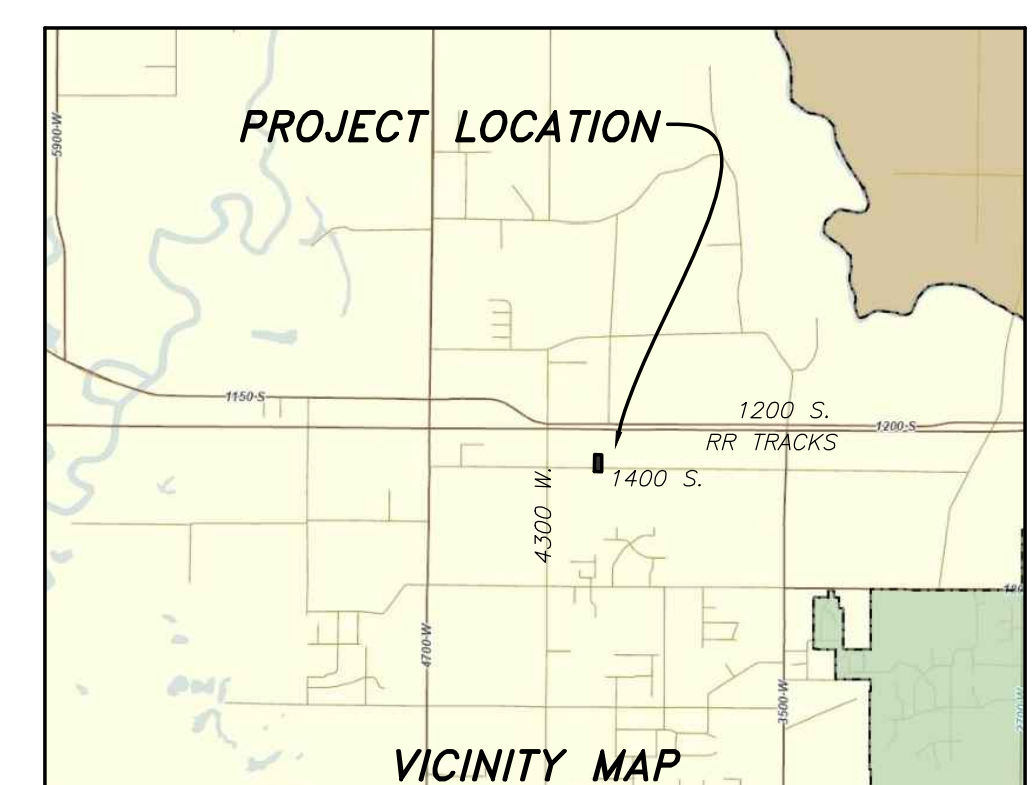
I HEREBY CERTIFY THAT THE WEBER COUNTY SURVEYOR'S OFFICE HAS REVIEWED THIS PLAT AND ALL CONDITIONS FOR APPROVAL BY THIS OFFICE HAVE BEEN SATISFIED. THE APPROVAL OF THIS PLAT BY THE WEBER COUNTY SURVEYOR DOES NOT RELIEVE THE LICENSED LAND SURVEYOR WHO EXECUTED THIS PLAT FROM THE RESPONSIBILITIES AND/OR LIABILITIES ASSOCIATED THEREWITH. SIGNED THIS _____ DAY OF _____, 20__.

 WEBER COUNTY SURVEYOR

 RECORD OF SURVEY NO.



DEVELOPER:
 RICK ROPELATO
 4002 WEST 1400 SOUTH
 OGDEN, UTAH 84401
 (801) 389-8042



WEBER COUNTY RECORDER

ENTRY NO. _____ FEE PAID _____
 FILED FOR RECORD AND RECORDED _____
 IN BOOK _____ OF OFFICIAL RECORDS, PAGE _____ RECORDED FOR _____
 COUNTY RECORDER _____
 BY: _____ DEPUTY