



# Land Use Permit

## Weber County Planning Commission

2380 Washington Blvd. STE 240  
Ogden, UT 84401  
Phone: (801) 399-8791 FAX: (801) 399-8862  
webercountyutah.gov/planning

**Permit Number: LUP388-2022**

Permit Type: Structure  
Permit Date: 10/13/2022

### Applicant

**Name:** Lyonel Gammon  
**Business:**  
**Address:** 267 S. 7900 W.  
West Warren, UT 84404  
**Phone:** 801-870-2100

### Owner

**Name:** Same as applicant  
**Business:**  
**Address:** , UT  
**Phone:**

### Parcel

**Parcel:** 101200001  
**Zoning:** A-2 **Area:** 4.43 **Sq Ft:**  
**Address:** 267 S 7900 W OGDEN, UT 84404

**Lot(s):** 1 **Subdivision:** Fall Widow Subdivision  
**T - R - S - QS:** 6N - 3W - 15 - N

### Proposal

**Proposed Structure:** Pole Barn  
**Proposed Structure Height:** 26  
**# of Dwelling Units:**  
**# Off Street Parking Reqd:**

**Building Footprint:** 8400  
**Max Structure Height in Zone:** 35  
**# of Accessory Bldgs:** 1  
**\*Is Structure > 1,000 Sq. Ft?** Yes  
**\*If True Need Certif. Statement**

### Permit Checklist

**Access Type:** Front lot line  
**Greater than 4218 ft above sea level?** Yes  
**Additional Setback Reqd. ?** N/A  
**> 200 ft from paved Road?** N/A

**Alternative Access File #**  
**Wetlands/Flood Zone?** No  
**Meet Zone Area Frontage?** Yes  
**Hillside Review Reqd?** N/A

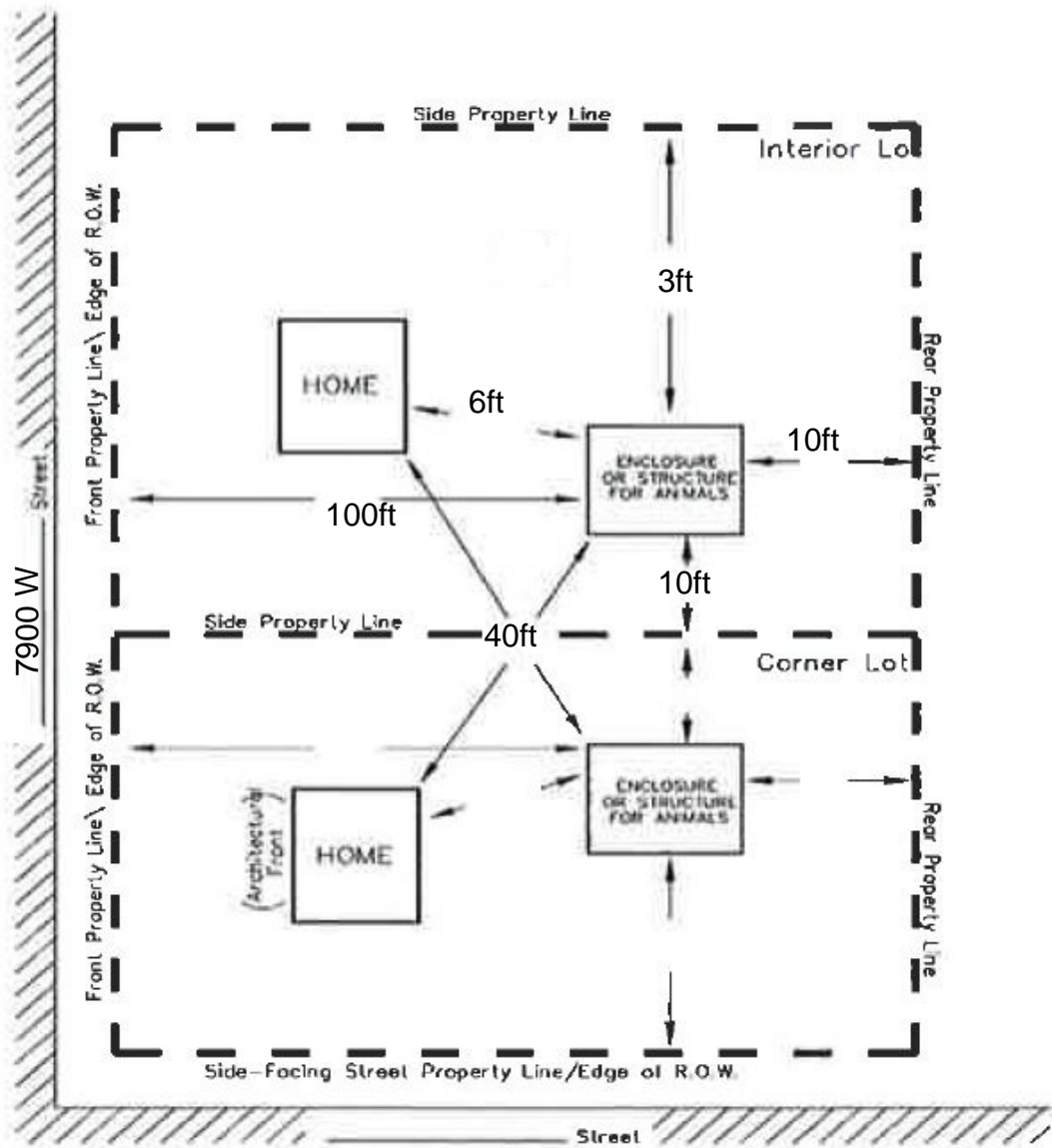
**Culinary Water District:** West Warren-Warren Water **Waste Water System:** West Warren-Warren Water

### Comments

There is a 10 ft. utility easement on right side yard. rear setback is 10 ft. because it rears a side yard.

# Land Use Permit

## Structure Setback Graphic: Barn, Corral, or Stable



## MINIMUM YARD SETBACKS Barn, Corral, or Stable

### NOTICE FOR APPLICANT (Please Read Before Signing)

Proposals for the installation of an individual water supply and for a sanitary waste disposal system (septic tank) for any structure designed for human occupation must be approved by Weber County Health Department prior to installation.

Marta Borchert

10/13/2022

Planning Dept. Signature of Approval

Date

I hereby certify that I have read and examined this application and know the same to be true and correct. All provisions of laws and ordinances governing this land use will be complied with whether specified herein or not. I make this statement under penalty of perjury.

Contractor/Owner Signature of Approval

Date