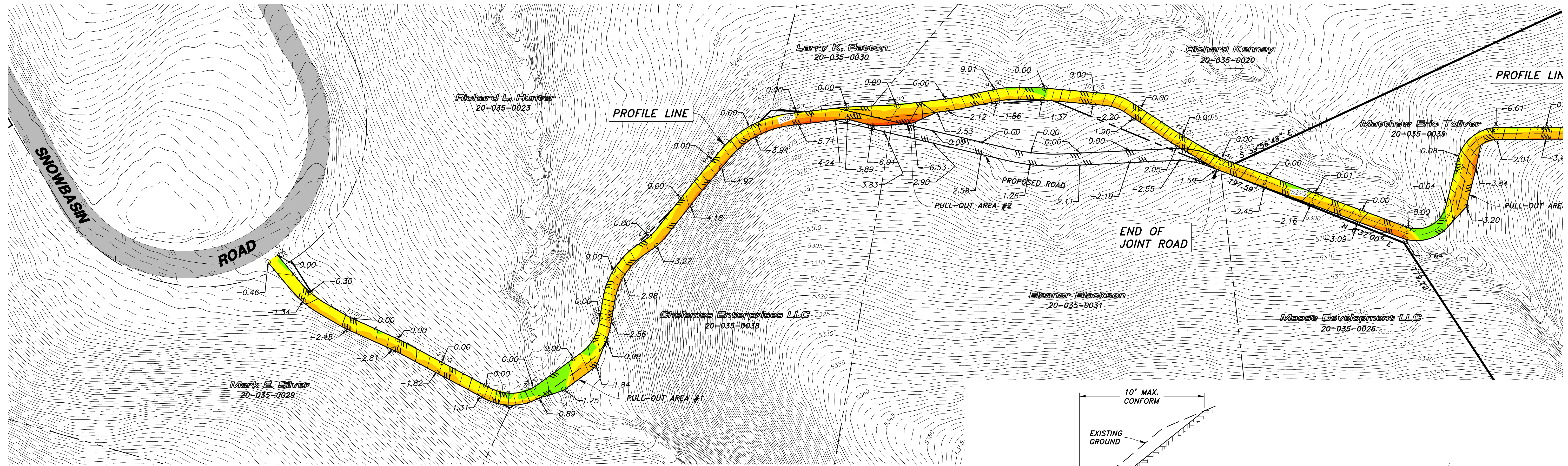
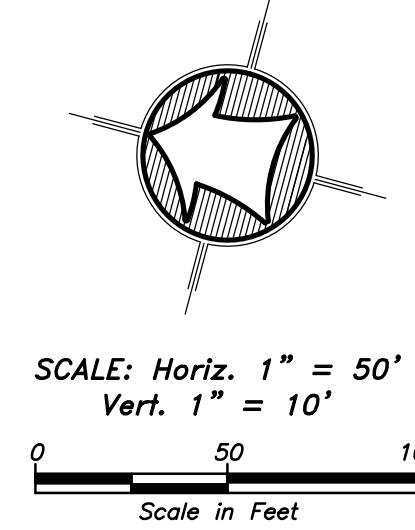
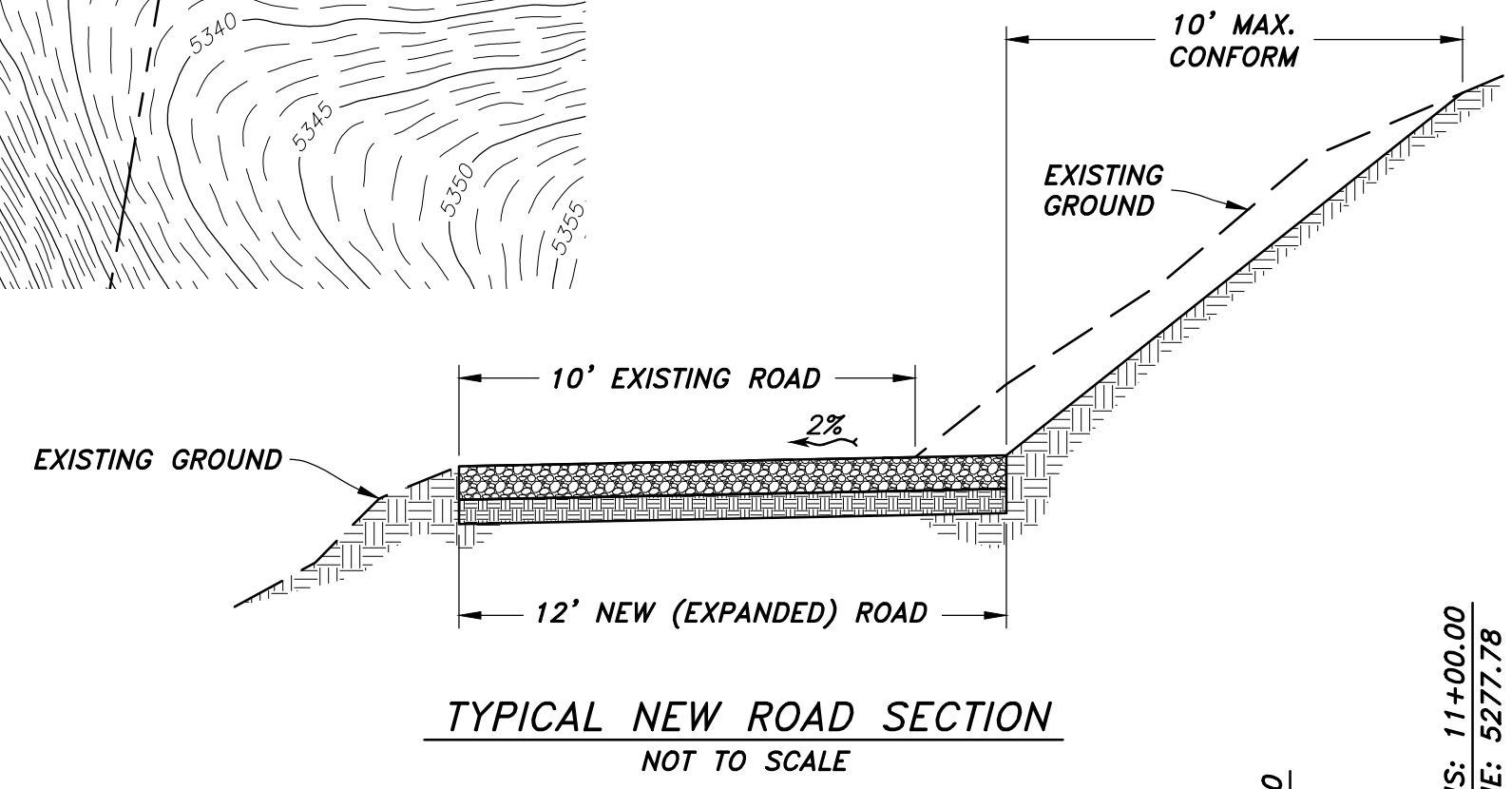
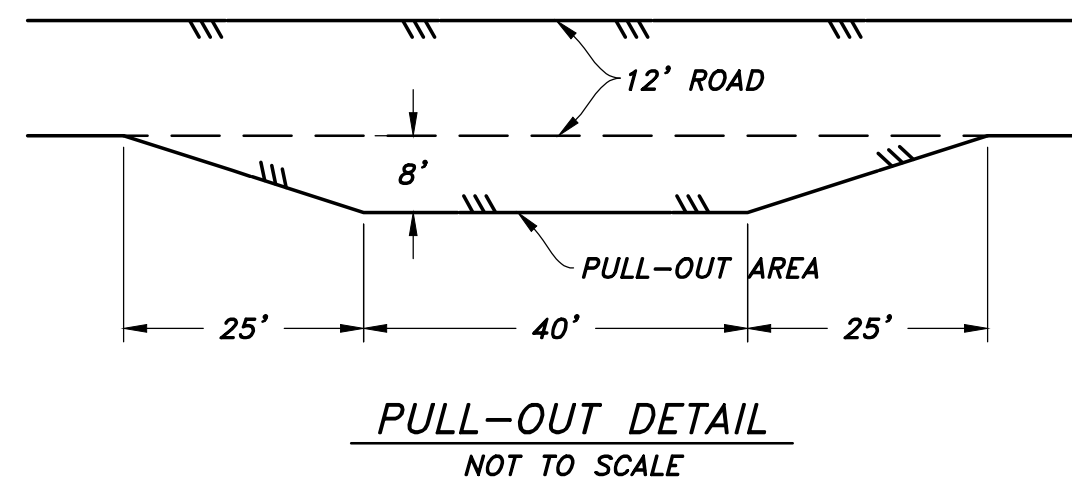


MATT TOLIVER OFF-SITE COMMON ROAD



ROAD CUT/PULL ELEVATIONS DATA			
NUMBER	MINIMUM ELEVATION	MAXIMUM ELEVATION	COLOR
1	-20.00	-10.00	Red
2	-10.00	-5.00	Orange
3	-5.00	-3.00	Yellow
4	-3.00	-1.00	Light Green
5	-1.00	0.00	Green
6	0.00	6.00	Dark Green



LEGEND

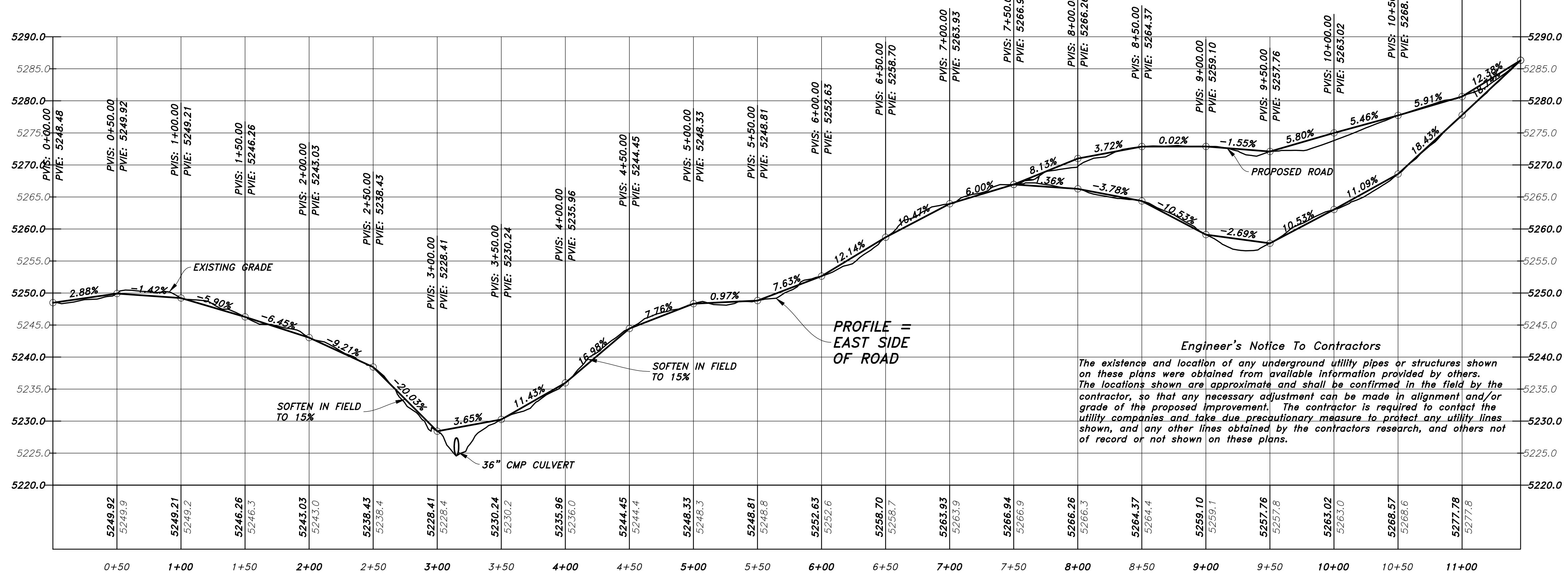
- Subject Property Line
- Adjoining Property Line
- Centerline
- Ditch/Flowline
- Existing 3.0' Contour
- Existing 1.0' Contour

NOTICE!

EXISTING UTILITIES ARE SHOWN ON PLANS FOR THE CONVENIENCE OF THE CONTRACTOR ONLY. THE CONTRACTOR IS RESPONSIBLE FOR THE PROTECTION OF ALL UTILITIES. THE ENGINEER BEARS NO RESPONSIBILITY FOR UTILITIES NOT SHOWN OR SHOWN INCORRECTLY.

Call Digs BEFORE YOU

1-800-662-4111
UNDERGROUND SERVICE



Engineer's Notice To Contractors

The existence and location of any underground utility pipes or structures shown on these plans were obtained from available information provided by others. The locations shown are approximate and shall be confirmed in the field by the contractor, so that any necessary adjustment can be made in alignment and/or grade of the proposed improvement. The contractor is required to contact the utility companies and take due precautionary measure to protect any utility lines shown, and any other lines obtained by the contractor's research, and others not of record or not shown on these plans.

Drawn By: MTH	Date: 12/13/16
Designed By:	
Checked By:	
Approved By:	
Scale: 1" = 50'	
Drawing File: 15-12415pp.DWG	
JOB NUMBER: 15-124	

PLAN AND PROFILE FOR

MATT TOLIVER

ADDRESS
HUNTSVILLE DISTRICT
A Part of the Southeast Quarter of Section 23
Township 6 North, Range 1 East, S.L.B.&M.

Sheet
1
of
2
Sheets

HANSEN & ASSOCIATES, INC.
Consulting Engineers and Land Surveyors
538 North Main Street, Brigham, Utah 84302
Visit us at www.hansen.net
Brigham City, Ogden
(435) 723-3491 (801) 399-4905 (435) 752-8272



No.	Date	By	Revision