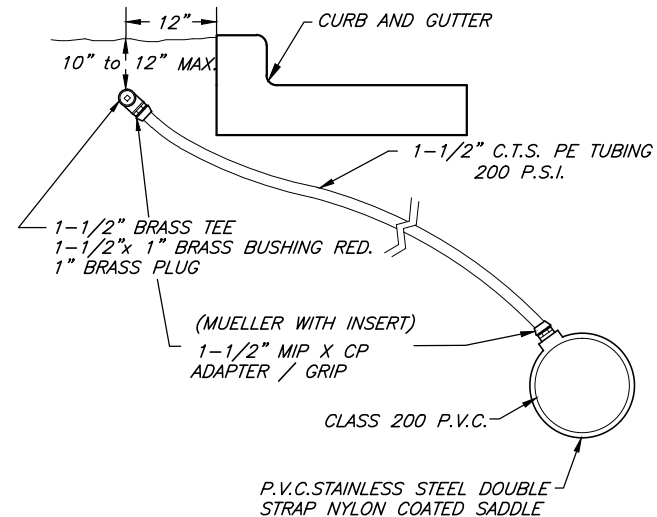
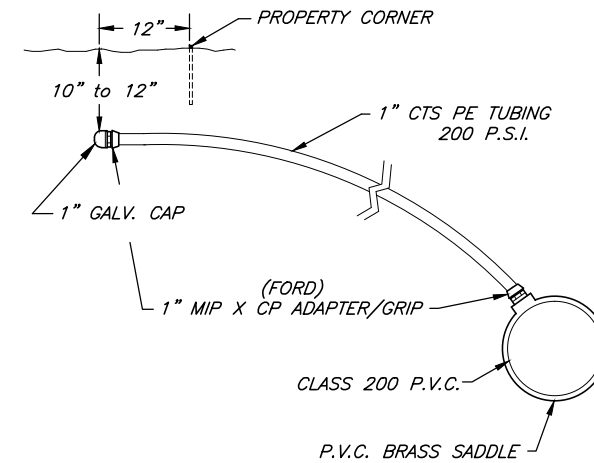


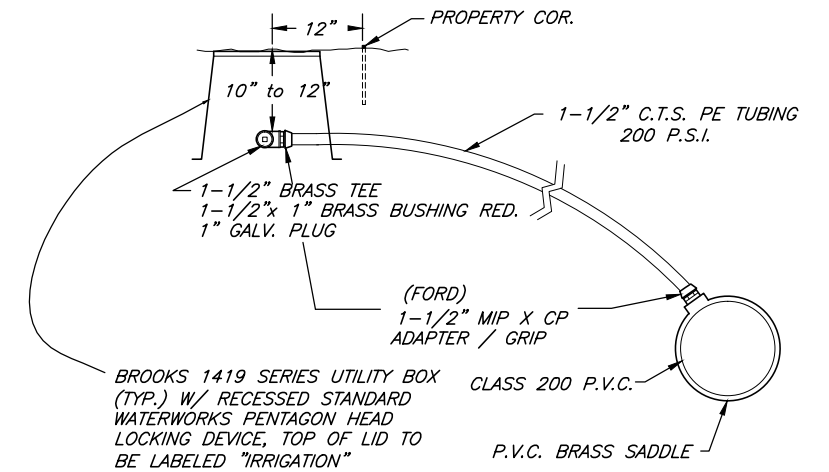
TYPICAL SINGLE SERVICE LATERAL



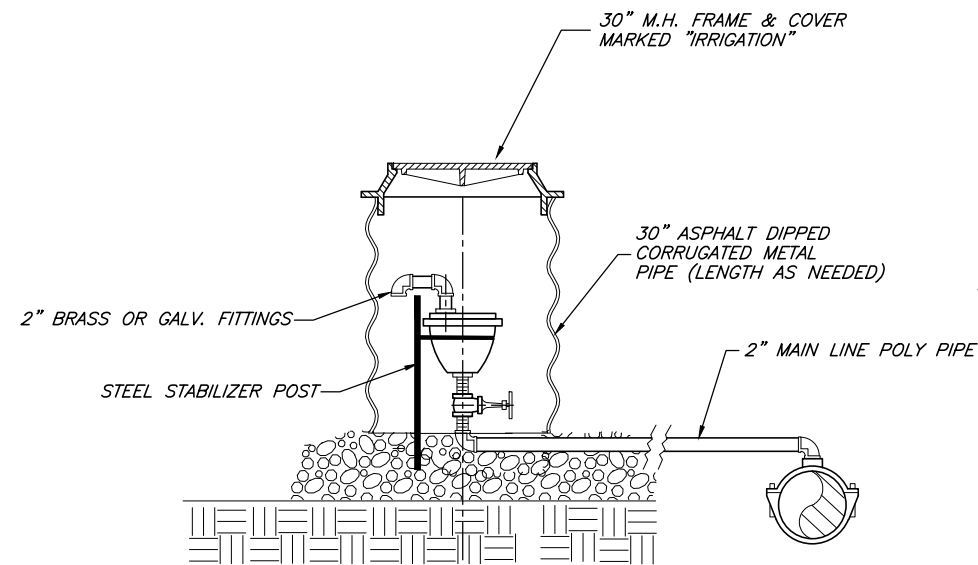
TYPICAL DOUBLE SERVICE LATERAL



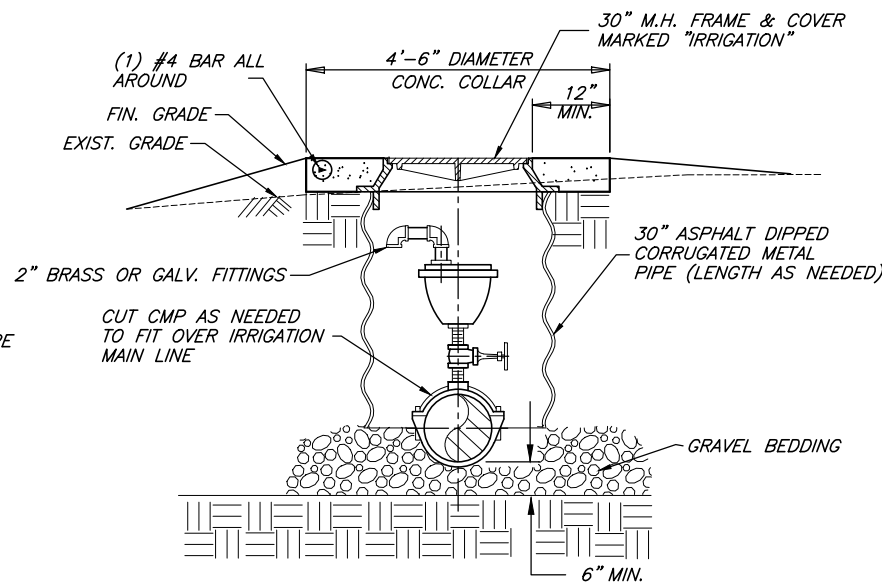
TYPICAL SINGLE SERVICE LATERAL



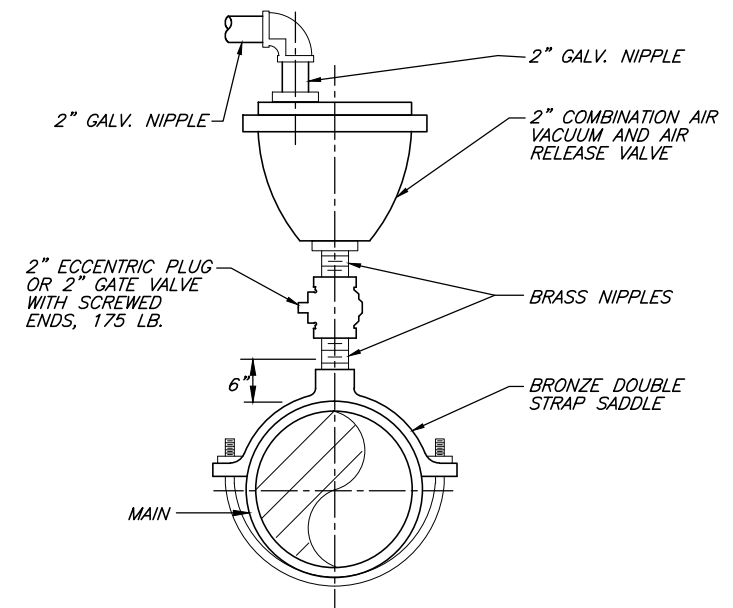
TYPICAL DOUBLE SERVICE LATERAL



AIR VACUUM & AIR RELEASE VALVE PARK STRIP OR SHOULDER INSTALLATION



AIR VACUUM & AIR RELEASE VALVE STREET INSTALLATION



AIR-VACUUM AND AIR-RELEASE VALVE



Chris L. Brenholt
PROJECT ENGINEER
9/04/12
DATE

1 12/04 G.L.S. INCLUDED IN PUBLIC WORKS STANDARDS		
REV.	DATE	APPR.

SCALE:
N. T.S.

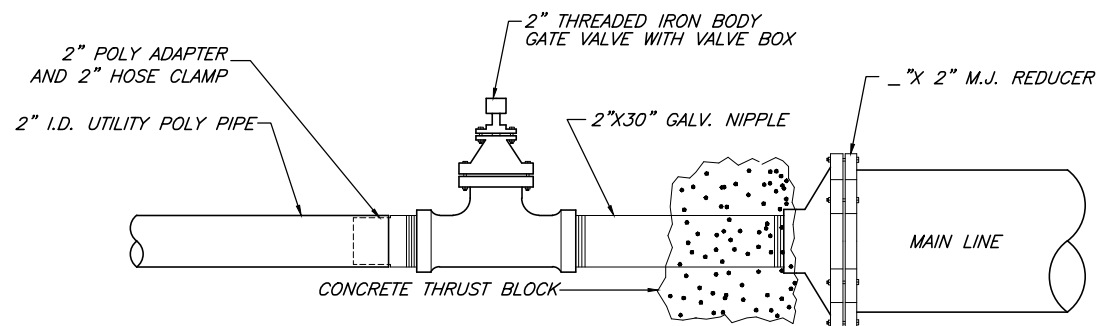
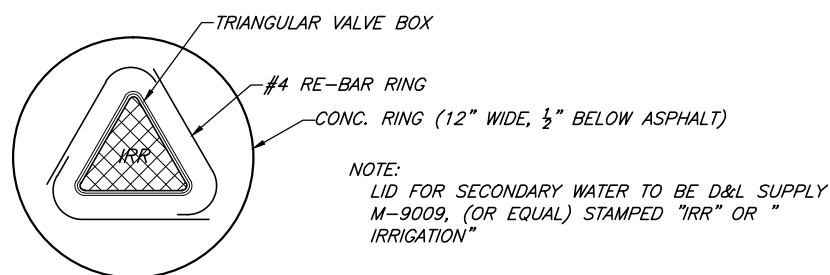
DESIGNED BEB
DRAWN BEB
CHECKED CLB



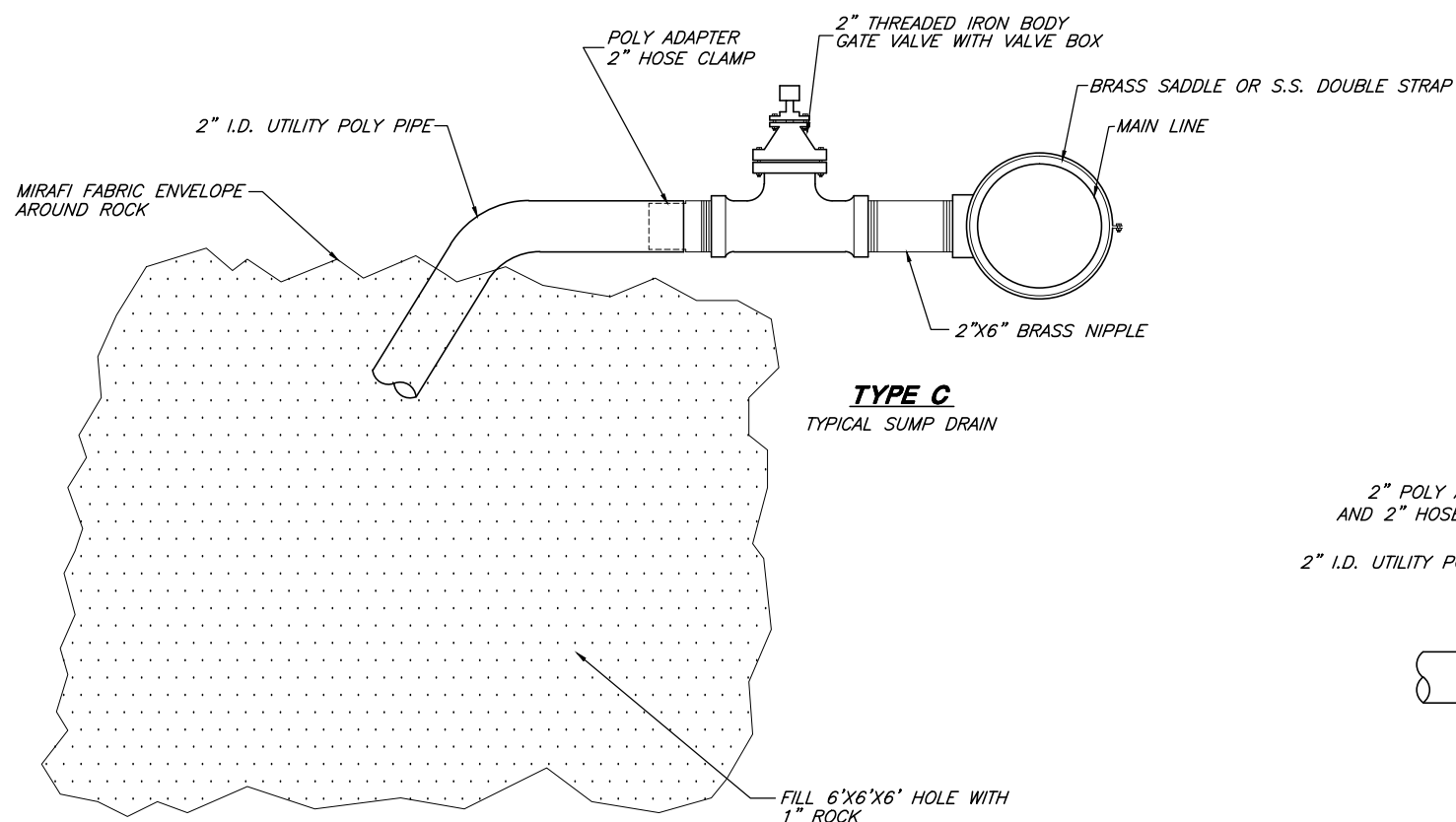
CONSULTING ENGINEERS
1716 East 5600 South
Ogden, Utah 84403 (801) 476-9767

MARRIOTT-SLATERVILLE CITY CORPORATION
PUBLIC WORKS STANDARDS
SECONDARY WATER LATERAL & AIR VAC DETAILS

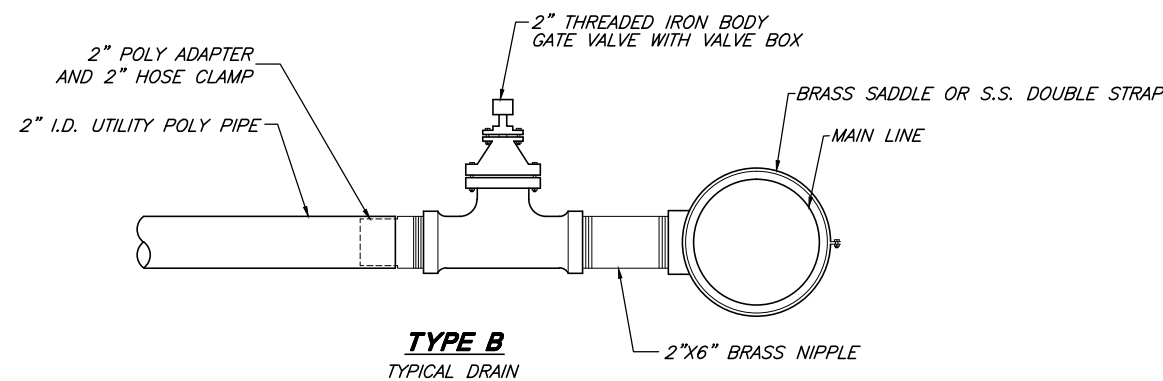
SHEET:
12
OF 20 SHEETS
0



TYPE A
 TYPICAL M.J. REDUCER AND BLOW-OFF DRAIN



TYPE C
 TYPICAL SUMP DRAIN



TYPE B
 TYPICAL DRAIN

DRAIN VALVE DETAILS



Chris L. Brenholt
 PROJECT ENGINEER
 9/04/12
 DATE

1	12/04	G.L.S.	INCLUDED IN PUBLIC WORKS STANDARDS

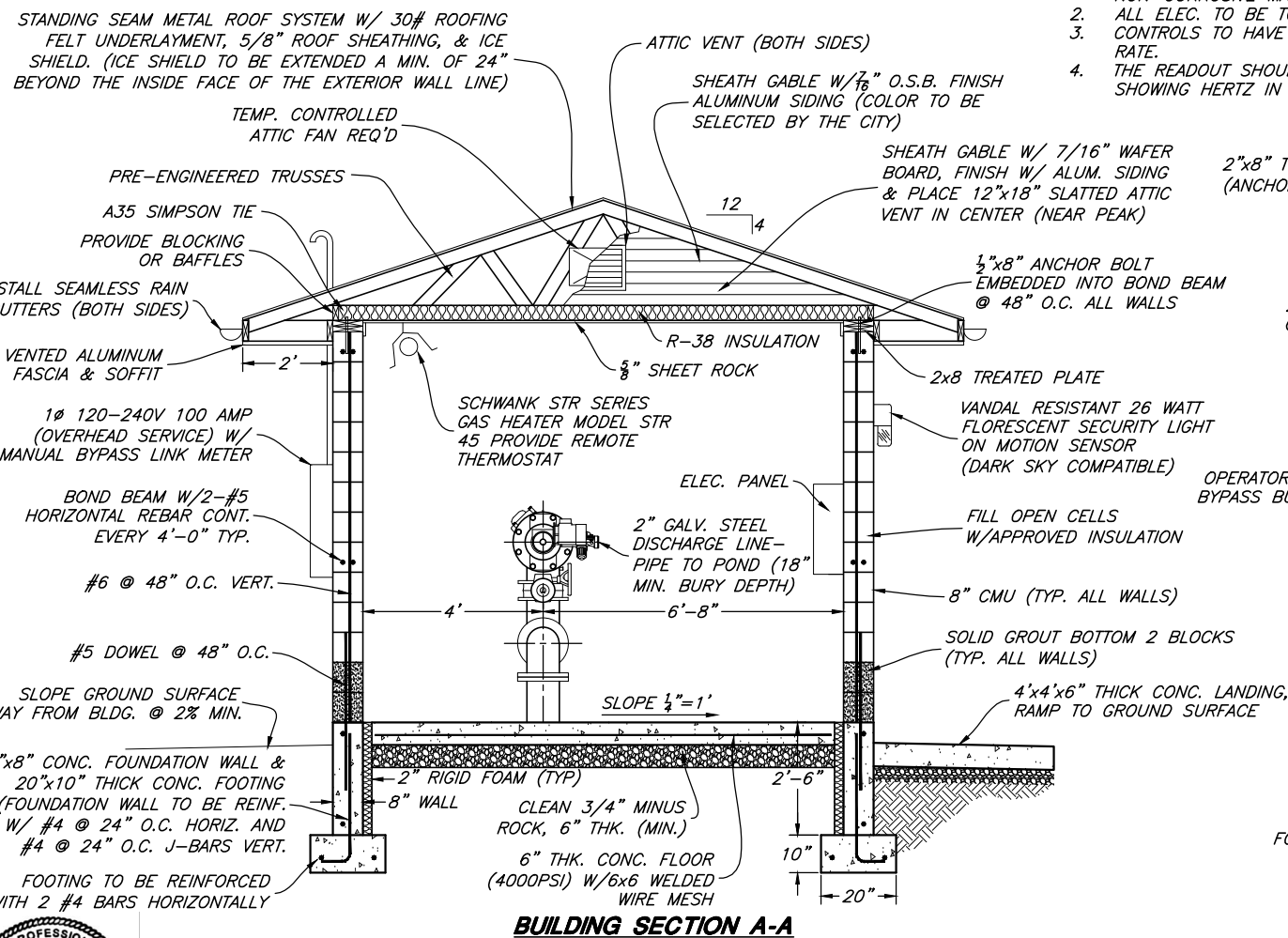
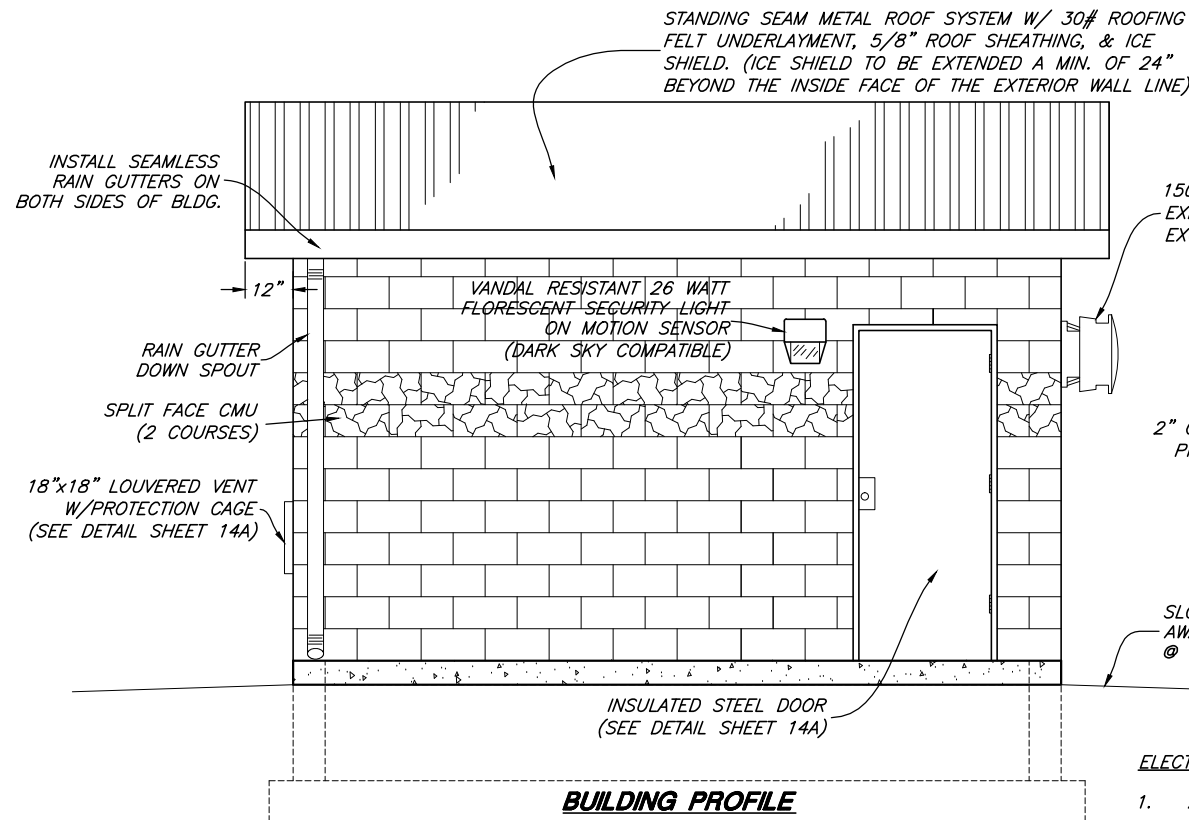
SCALE:
 N. T.S.

DESIGNED BEB
 DRAWN BEB
 CHECKED CLB

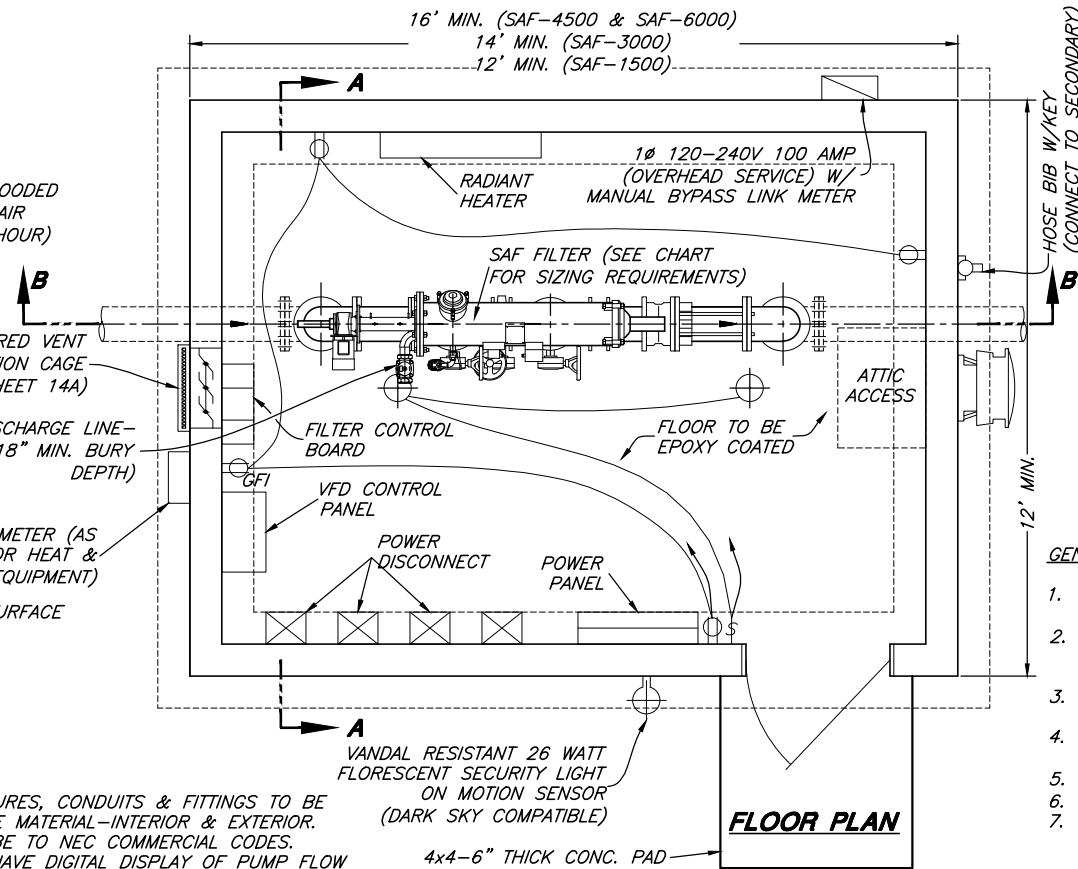
JA
JONES & ASSOCIATES
 CONSULTING ENGINEERS
 1716 East 5600 South
 Ogden, Utah 84403 (801) 476-9767

MARRIOTT-SLATERVILLE CITY CORPORATION
 PUBLIC WORKS STANDARDS

SECONDARY WATER VALVE & DRAIN DETAILS



BUILDING SECTION A-A



ELECTRICAL NOTES:

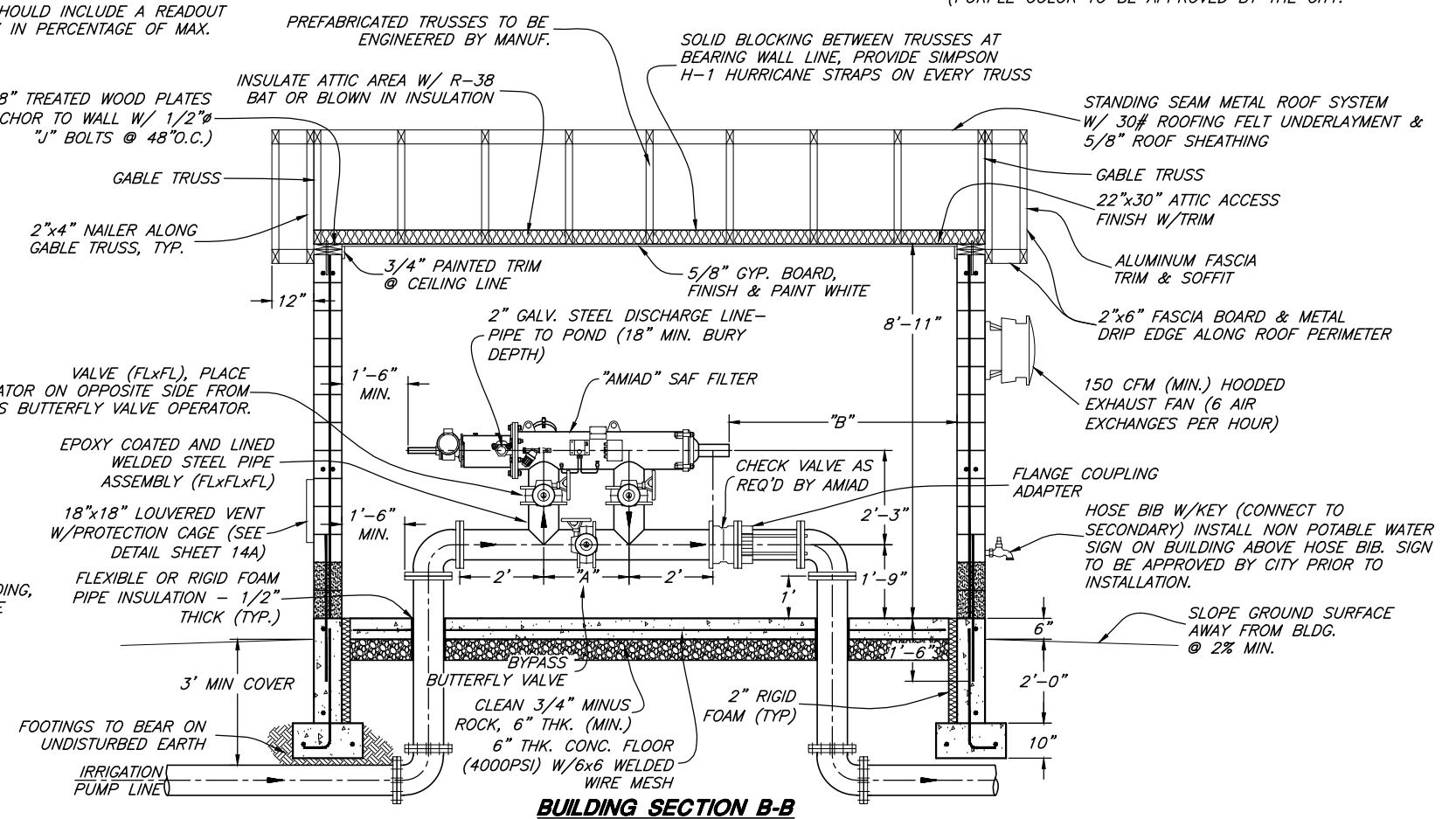
1. ALL ELEC. FIXTURES, CONDUITS & FITTINGS TO BE NON-CORROSIVE MATERIAL-INTERIOR & EXTERIOR.
2. ALL ELEC. TO BE TO NEC COMMERCIAL CODES.
3. CONTROLS TO HAVE DIGITAL DISPLAY OF PUMP FLOW RATE.
4. THE READOUT SHOULD INCLUDE A READOUT SHOWING HERTZ IN PERCENTAGE OF MAX.

AMIID MODEL "SAF" FILTER				
MODEL	MIN. LINE SIZE	MAX. FLOW	DM "A"	DM "B" MIN.
2" SAF-1500	3"	100 GPM	13.8"	2.66'
3" SAF-1500	4"	200 GPM	13.8"	2.66'
4" SAF-1500	6"	350 GPM	13.8"	2.66'
4" SAF-3000	6"	400 GPM	24.4"	3.94'
6" SAF-3000	8"	660 GPM	24.4"	3.94'
6" SAF-4500	10"	880 GPM	24.4"	4.92'
8" SAF-4500	10"	1100 GPM	24.4"	4.92'
8" SAF-6000	12"	1400 GPM	24.4"	4.26'
10" SAF-6000	12"	1760 GPM	24.4"	4.26'

- AMIID FILTER NOTES:**
1. SCREEN TO BE 200 MICRON
 2. CONTROL TO BE STAINLESS STEEL
 3. FILTER LID TO BE EPOXY COATED STEEL
 4. CLEANING MECHANISM TO BE STAINLESS STEEL
 5. EXHAUST VALVE TO BE EPOXY COATED CAST IRON.

GENERAL NOTES

1. ALL PIPE SHALL BE DUCTILE IRON CLASS 50 UNLESS OTHERWISE NOTED.
2. ALL STRUCTURAL CONSTRUCTION SHALL COMPLY W/CURRENT UBC & LOCAL BUILDING CODES & SHALL BE CONSISTENT WITH COMMAND CONSTRUCTION PRACTICES OF THE TRADES.
3. EARTH TONE CMU BLOCK COLOR TO BE SELECTED BY THE CITY.
4. METAL ROOF, FASCIA TRIM & SOFFIT, & METAL DRIP EDGE COLOR TO BE SELECTED BY THE CITY.
5. IRRIGATION LINE IS TO HAVE 3" MINIMUM COVER.
6. ALL FLANGES TO BE ANSI CLASS 150/125
7. ALL PIPING, VALVES, FITTINGS, METERS, AND OTHER MISC. PARTS OF THE PIPING SYSTEM SHALL BE PAINTED W/1 COAT OF PRIMER AND 2 COATS OF ACRYLIC ENAMEL PAINT (PURPLE COLOR TO BE APPROVED BY THE CITY).



BUILDING SECTION B-B



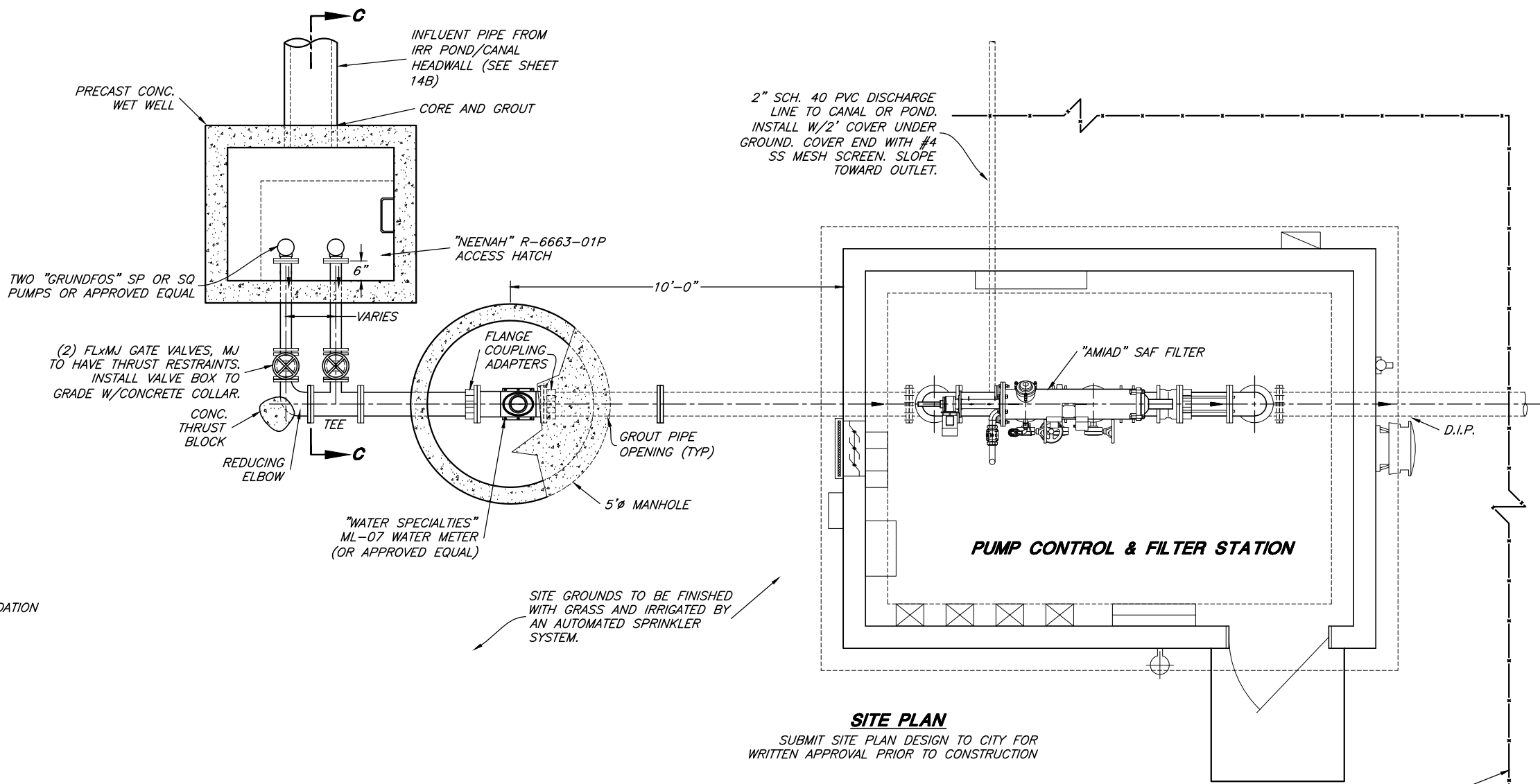
1	12/04	GLS	INCLUDED IN PUBLIC WORKS STANDARDS
2	8/09	CLB	ADDED EXHAUST FAN AND LOUVERED VENT

SCALE: N.T.S.
 DESIGNED: BEB
 DRAWN: BEB
 CHECKED: CLB

JA CONSULTING ENGINEERS
 1716 East 5600 South
 Ogden, Utah 84403 (801) 476-9767

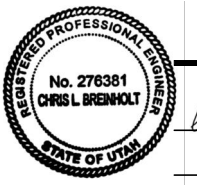
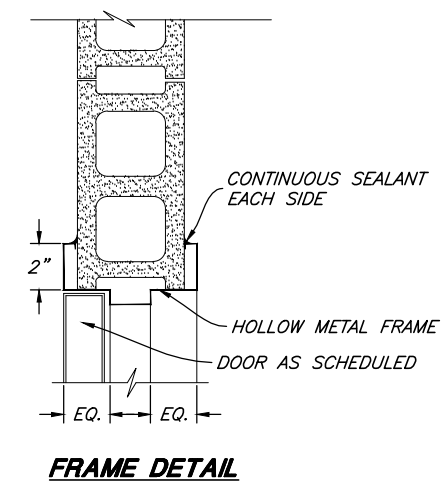
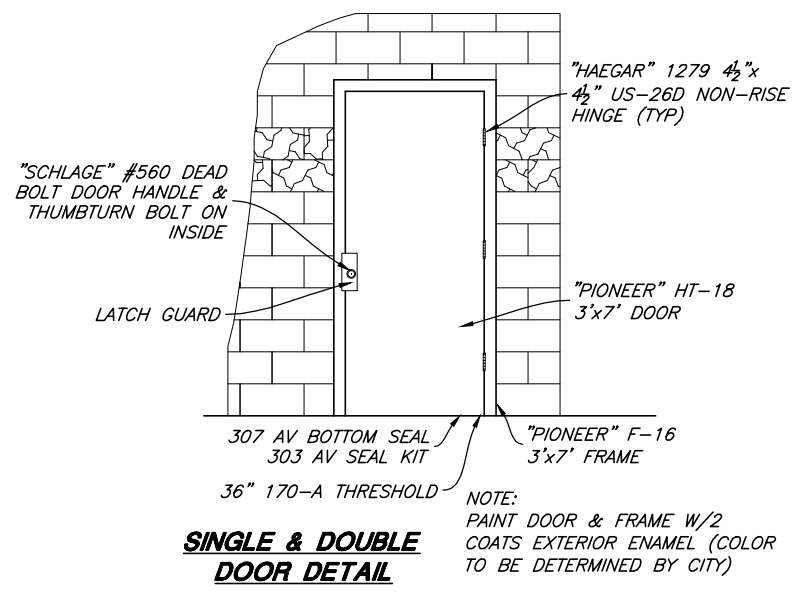
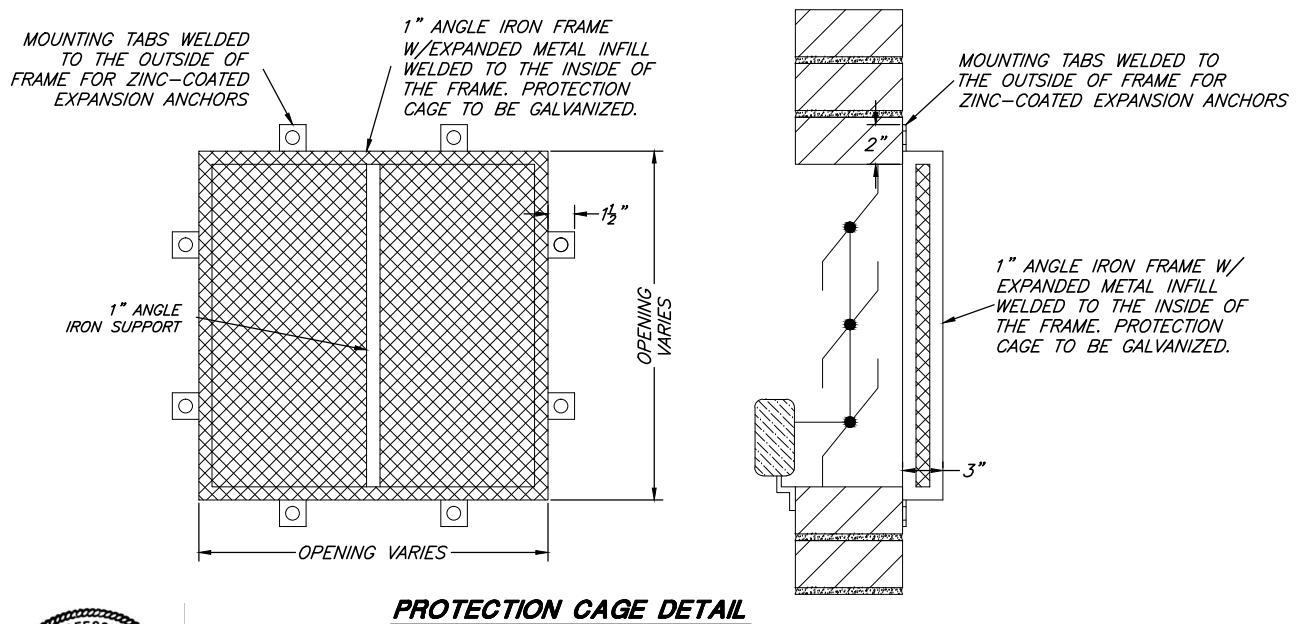
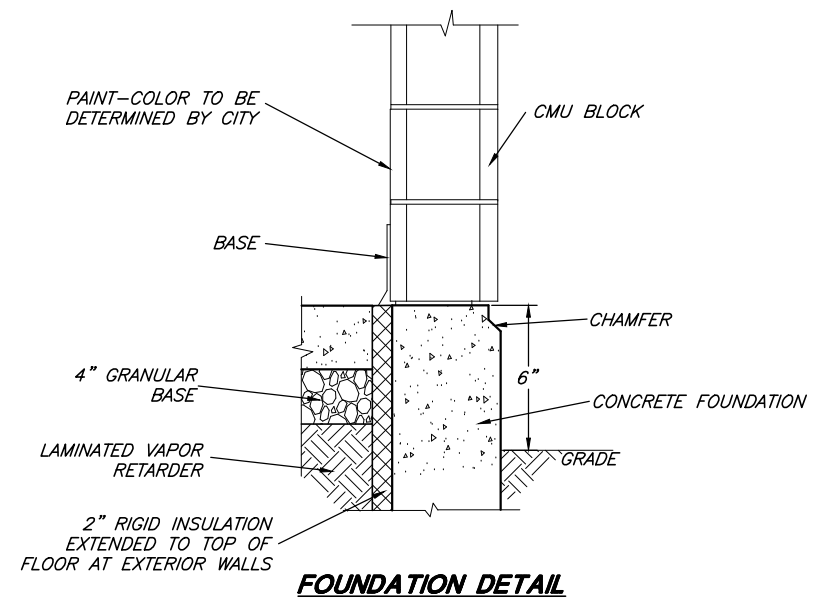
MARRIOTT-SLATERVILLE CITY CORPORATION
PUBLIC WORKS STANDARDS
SECONDARY WATER PUMP CONTROL & FILTER STATION

- NOTES:
1. ALL MANHOLE OR VAULT PIPE JUNCTIONS ARE TO HAVE RUBBER BOOT OR OTHER APPROVED WATERTIGHT SEAL.
 2. COORDINATE INSTALLATION OF POWER TRANSFORMER & POWER LINE W/UP&L SIZE & CONST. TRANSFORMER PAD PER UP&L SPECS. TRANSFORMER TO BE SIZED FOR PUMPS & FILTER REQUIREMENTS.
 3. ALL D.I.P. IN CONTACT W/EARTH IS TO BE POLYETHYLENE ENCASED.



SITE PLAN
 SUBMIT SITE PLAN DESIGN TO CITY FOR WRITTEN APPROVAL PRIOR TO CONSTRUCTION

CONST. 6' HIGH CHAIN LINK PROPERTY FENCE W/ 15' WIDE ROLL-STYLE ACCESS GATE



Chris L. Brenholt
 PROJECT ENGINEER
 9/04/12
 DATE

REV.	DATE	APPR.	DESCRIPTION
1	12/04	GLS	INCLUDED IN PUBLIC WORKS STANDARDS
2	8/09	CLB	ADDED EXHAUST FAN AND LOUVERED VENT

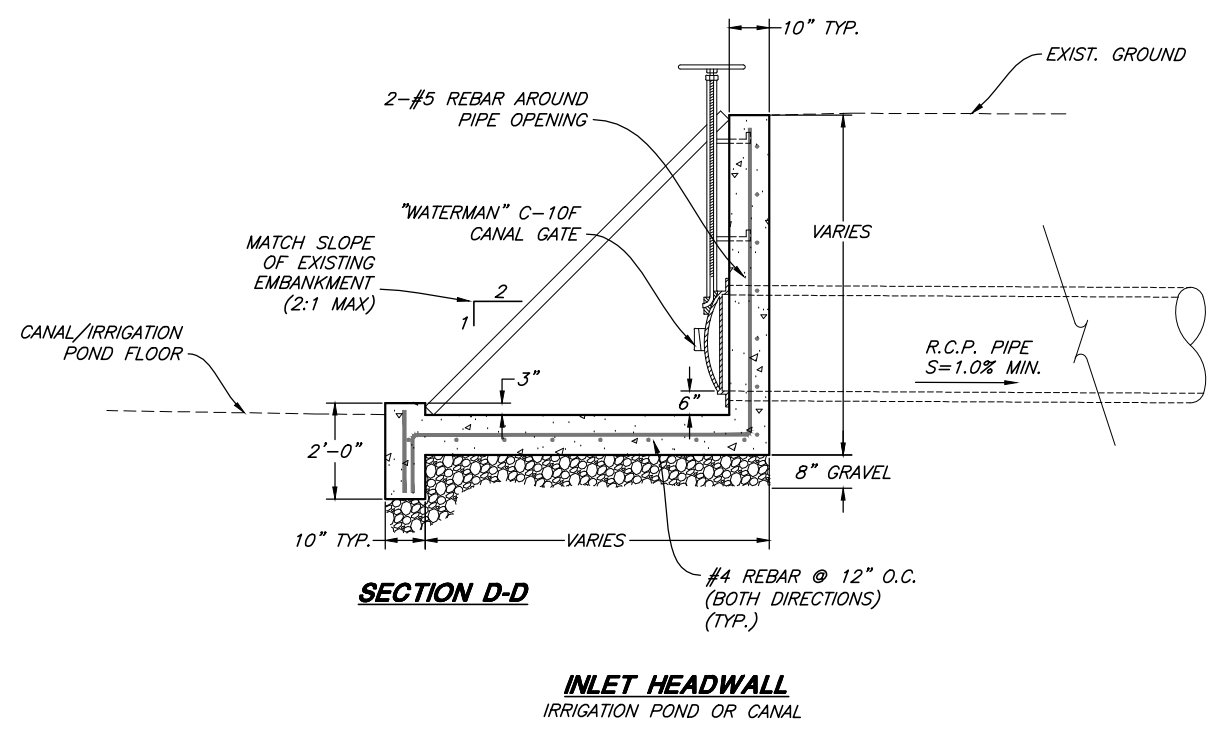
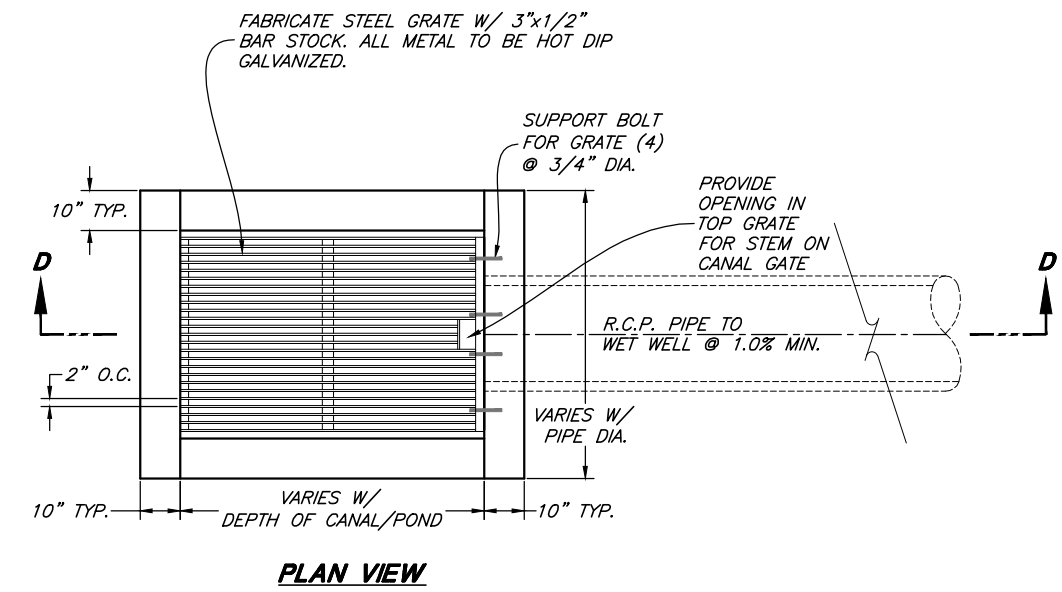
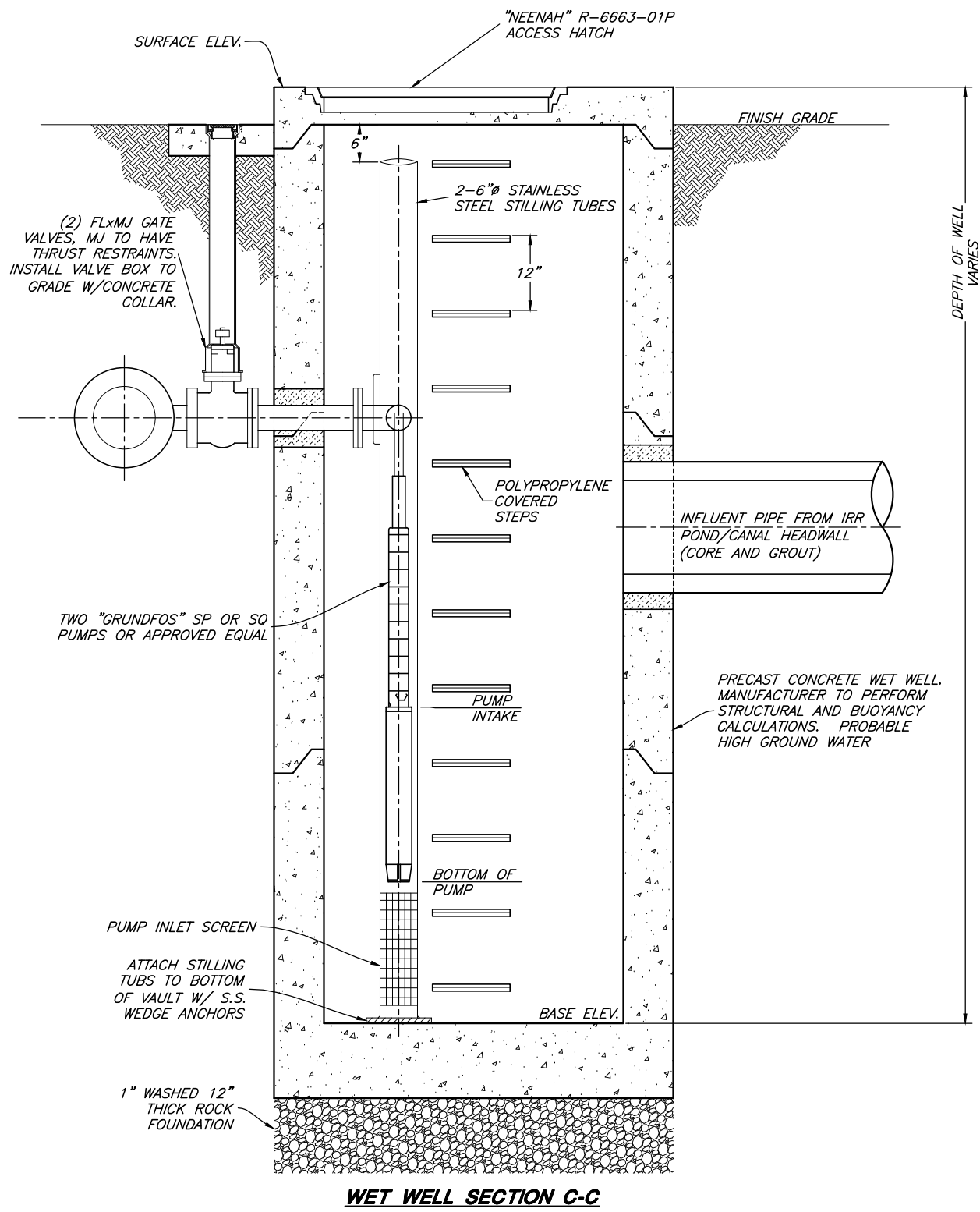
SCALE:
 N. T.S.

DESIGNED BER
 DRAWN BER
 CHECKED CLB

JA CONSULTING ENGINEERS
 1716 East 5600 South
 Ogden, Utah 84403 (801) 476-9767

MARRIOTT-SLATERVILLE CITY CORPORATION
 PUBLIC WORKS STANDARDS

SECONDARY WATER PUMP CONTROL & FILTER STATION



Chris L. Brenholt
PROJECT ENGINEER
9/04/12
DATE

1	12/04	GLS	INCLUDED IN PUBLIC WORKS STANDARDS
2	8/09	CLB	ADDED EXHAUST FAN AND LOUVERED VENT

SCALE:
N. T.S.
DESIGNED BEB
DRAWN BEB
CHECKED CLB

JA
JONES & ASSOCIATES
CONSULTING ENGINEERS
1716 East 5600 South
Ogden, Utah 84403 (801) 476-9767

MARRIOTT-SLATERVILLE CITY CORPORATION
PUBLIC WORKS STANDARDS
SECONDARY WATER PUMP CONTROL & FILTER STATION

SHEET:
14B
OF 20 SHEETS
0