

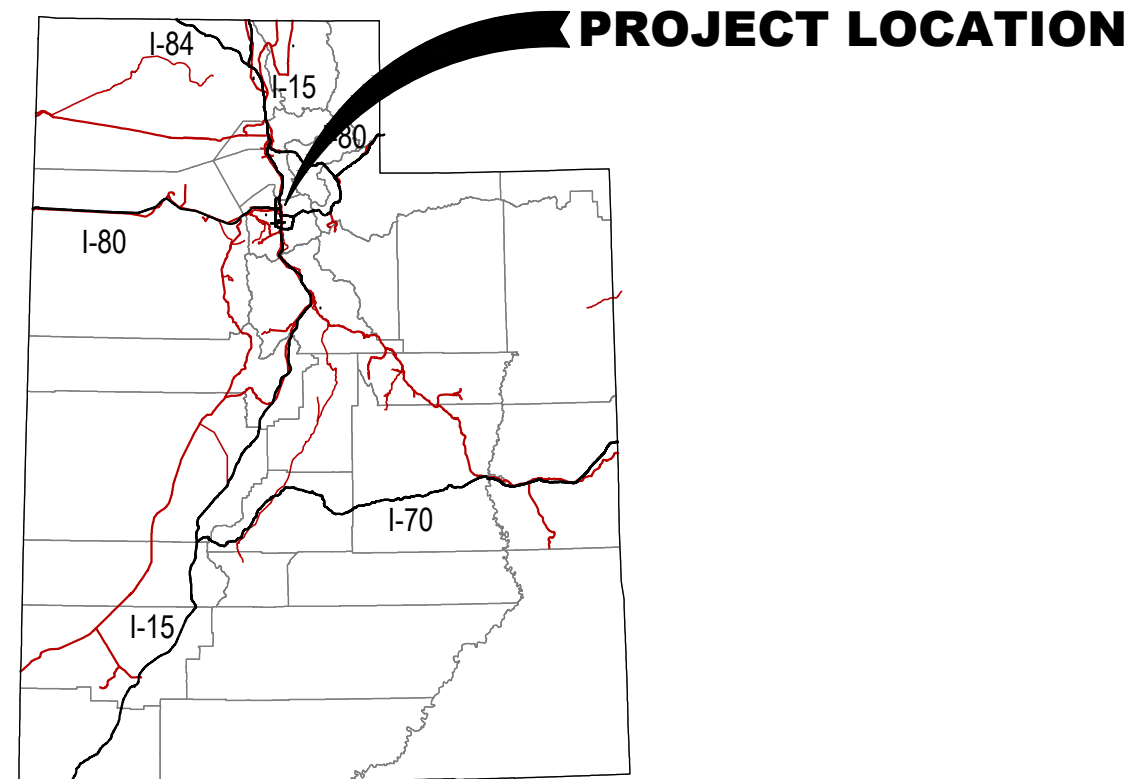
# SNOWBASIN RESORT SNOWBASIN GLAMPING DESIGN 90% DESIGN

3925 SNOWBASIN ROAD  
HUNTSVILLE, UT 84317

ISSUE DATE: SEPTEMBER 24, 2021

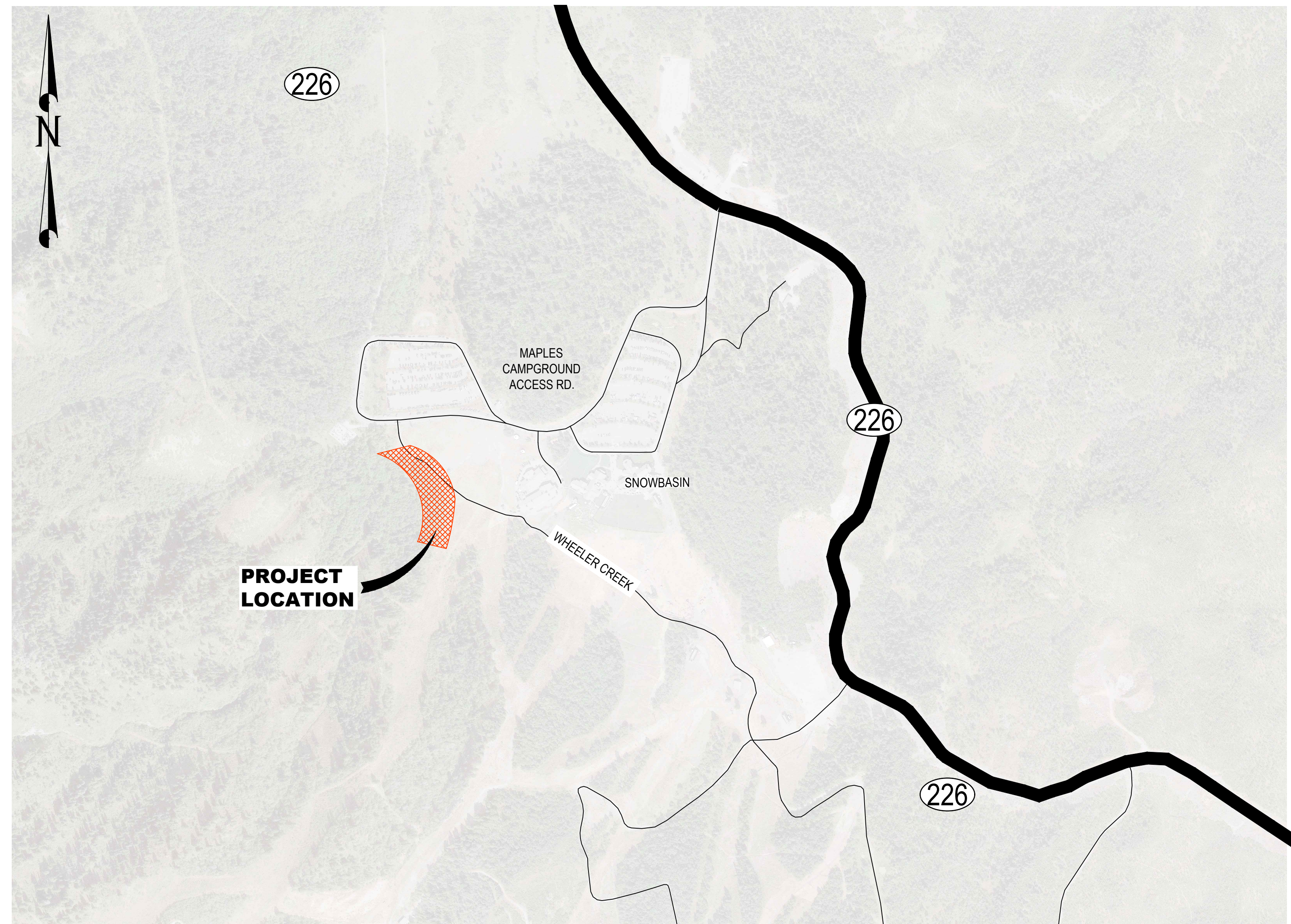
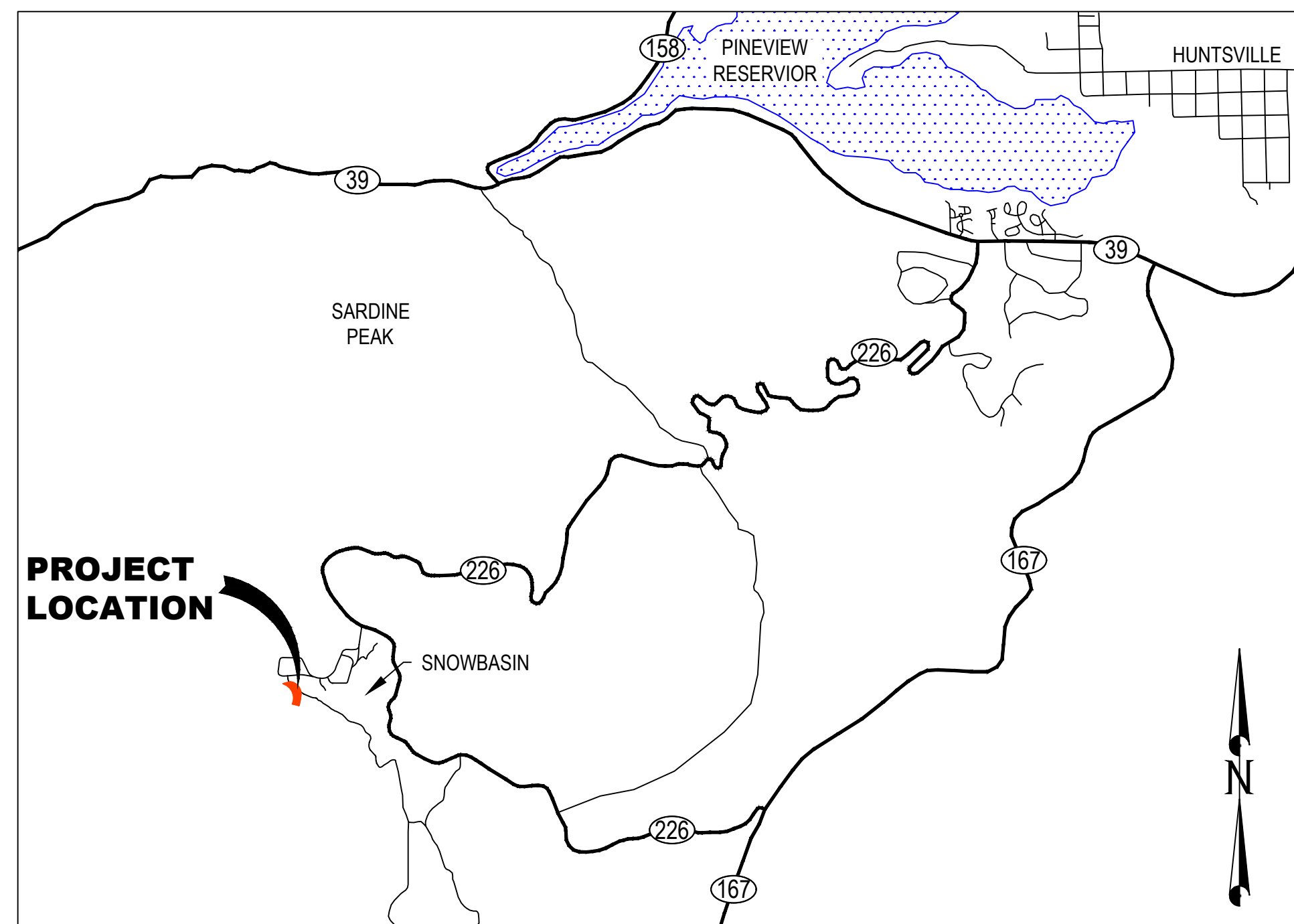
SHEET LIST TABLE		
SHEET NUMBER	SHEET TITLE	DESCRIPTION
1	G001	TITLE SHEET
2	G002	GENERAL NOTES
3	CS101	EXISTING CONDITIONS
4	CD101	DEMOLITION PLAN
5	CP101	SITE PLAN
6	CG101	SITE GRADING
7	CU101	UTILITY PLAN
8	CU301	UTILITY PROFILES AND DETAILS
9	CE101	SWPP PLAN
10	CE201	SWPP DETAILS

### STATE OF UTAH



### LEGEND

- RAILROAD
- MAJOR HIGHWAY
- COUNTY LINE



**PROJECT VICINITY MAP**  
N.T.S.

**PRELIMINARY**  
**NOT FOR CONSTRUCTION**

File Path: P:\2021-07-16 snowbasin-glamping concept design\Drawings\SHEETS\G002.dwg Sep 24, 2021 - 2:21 pm

NO.	DATE	BY	DESCRIPTION

IF THE ABOVE SCALE BAR DOES NOT MEASURE 1-INCH IN LENGTH, DO NOT USE THIS DRAWING FOR SCALING PURPOSES. DIMENSIONS AND MEASUREMENTS SPECIFIED IN THE DRAWING TAKE PRECEDENCE TO SCALED MEASUREMENTS.

THE INFORMATION CONTAINED IN THIS DRAWING IS THE PROPERTY OF CRS ENGINEERS AND IS NOT TO BE REPRODUCED, MODIFIED OR USED FOR ANY OTHER PROJECT OR EXTENSION OF THIS PROJECT EXCEPT BY AGREEMENT WITH CRS ENGINEERS.

PRINCIPAL: D. EYRE, PE  
PROJECT MANAGER: G. NELSON, PE  
CHECKED BY: D. EYRE, PE  
DRAWN BY: K. BAILEY  
DRAWING SCALE: NONE  
ISSUE DATE: SEPTEMBER 24, 2021

**CRS ENGINEERS**  
Answers to Infrastructure®

PO Box 280 | 160 S Main, Ste 200 | Farmington, UT 84025 | P: 801.939.5565 | www.crsengineers.com

SNOWBASIN RESORT  
SNOWBASIN GLAMPING DESIGN  
TITLE SHEET

3925 SNOWBASIN ROAD  
HUNTSVILLE, UT 84317

PROJECT NUMBER 2021-0176	
SHEET 1	OF 10
SHEET NUMBER G001	

PROJECT NUMBER 2021-0176	
SHEET 1	OF 10
SHEET NUMBER G001	

THE CONTRACTOR SHALL CAREFULLY READ ALL OF THE NOTES AND SPECIFICATIONS. THE CONTRACTOR SHALL BE SATISFIED AS TO THEIR TRUE MEANING AND INTENT AND SHALL BE RESPONSIBLE FOR COMPLYING WITH EACH.

GENERAL NOTES:

- 1) ALL IMPROVEMENTS SHALL BE CONSTRUCTED IN STRICT ACCORDANCE WITH ALL JURISDICTIONAL AUTHORITIES.
2) CONTRACTOR SHALL COMPLY WITH THE STANDARDS INDICATED ABOVE AND WITHIN THE CONSTRUCTION DOCUMENTS. THE CONTRACTOR SHALL NOTIFY ALL AGENCIES, OWNERS, ENGINEERS, AND UTILITY COMPANIES 5 DAYS PRIOR TO A PRE-CONSTRUCTION MEETING:
OWNER: SNOWBASIN RESORT
ENGINEER: CRS ENGINEERS
3) IT IS INTENDED THAT THESE PLANS AND SPECIFICATIONS REQUIRE ALL LABOR AND MATERIALS NECESSARY AND PROPER FOR THE WORK CONTEMPLATED AND THAT THE WORK BE COMPLETED IN ACCORDANCE WITH THEIR TRUE INTENT AND PURPOSE. THE CONTRACTOR SHALL NOTIFY THE ENGINEER IMMEDIATELY REGARDING ANY DISCREPANCIES OR AMBIGUITIES WHICH MAY EXIST IN THE PLANS OR SPECIFICATIONS. THE ENGINEER'S INTERPRETATION THEREOF SHALL BE CONCLUSIVE.
4) WHERE THE PLANS OR SPECIFICATIONS DESCRIBE PORTIONS OF THE WORK IN GENERAL TERMS BUT NOT IN COMPLETE DETAIL, IT IS UNDERSTOOD THAT ONLY THE BEST GENERAL PRACTICE IS TO PREVAIL AND THAT ONLY MATERIALS AND WORKMANSHIP OF THE FIRST QUALITY ARE TO BE USED.
5) THE CONTRACTOR SHALL BE SKILLED AND REGULARLY ENGAGED IN THE GENERAL CLASS AND TYPE OF WORK CALLED FOR IN THE PROJECT PLANS AND SPECIFICATIONS. THEREFORE, THE OWNER IS RELYING UPON THE EXPERIENCE AND EXPERTISE OF THE CONTRACTOR. IT SHALL BE EXPECTED THAT PRICES PROVIDED WITHIN THE CONTRACT DOCUMENTS SHALL INCLUDE ALL LABOR AND MATERIALS NECESSARY AND PROPER FOR THE WORK CONTEMPLATED AND THAT THE WORK BE COMPLETED IN ACCORDANCE WITH THEIR TRUE INTENT AND PURPOSE.
6) THE CONTRACTOR SHALL BE COMPETENT, KNOWLEDGEABLE, AND HAVE SPECIAL SKILLS ON THE NATURE, EXTENT, AND INHERENT CONDITIONS OF THE WORK TO BE PERFORMED. CONTRACTOR SHALL ALSO ACKNOWLEDGE THAT THERE ARE CERTAIN PECULIAR AND INHERENT CONDITIONS EXISTENT IN CONSTRUCTION OF PARTICULAR FACILITIES, WHICH MAY CREATE, DURING THE CONSTRUCTION PROGRAM, UNUSUAL OR PECULIAR SAFETY CONDITIONS, WHICH CONDITIONS COULD BE HAZARDOUS TO PERSONS, PROPERTY AND THE ENVIRONMENT. CONTRACTOR SHALL BE AWARE OF SUCH PECULIAR RISKS AND HAVE THE SKILL AND EXPERIENCE TO FORESEE AND TO ADOPT PROTECTIVE MEASURES TO ADEQUATELY AND SAFELY PERFORM THE CONSTRUCTION WORK WITH RESPECT TO SUCH HAZARDS.
7) THE CONTRACTOR SHALL BE RESPONSIBLE FOR ALL PERMITS AND LICENSES REQUIRED FOR THE CONSTRUCTION AND COMPLETION OF THE PROJECT, AND SHALL PERFORM ALL WORK IN ACCORDANCE WITH THE REQUIREMENTS AND CONDITIONS OF ALL PERMITS AND APPROVALS APPLICABLE TO THIS PROJECT. THE CONTRACTOR SHALL ENSURE THAT THE NECESSARY RIGHTS-OF-WAY, EASEMENTS, AND/OR PERMITS ARE SECURED PRIOR TO CONSTRUCTION.
8) CONTRACTOR SHALL OBTAIN AN ENCROACHMENT PERMIT WHERE APPLICABLE FOR ANY WORK DONE WITHIN RIGHTS-OF-WAY OR EASEMENTS FROM HUNTSVILLE CITY. CONTRACTOR SHALL NOTIFY CITY, COUNTY, AND/OR STATE, 24 HOURS IN ADVANCE OF COMMENCING THE WORK, OR AS REQUIRED BY SAID PERMITS.
9) THE CONTRACTOR SHALL, AT THE TIME OF BIDDING, AND, THROUGHOUT THE PERIOD OF THE CONTRACT, BE LICENSED IN THE STATE OF UTAH AND SHALL BE BONDABLE FOR AN AMOUNT EQUAL TO OR GREATER THAN THE AMOUNT BID AND TO DO THE TYPE OF WORK CONTEMPLATED IN THE PLANS AND SPECIFICATIONS.
10) CONTRACTOR SHALL INSPECT THE SITE OF THE WORK PRIOR TO BIDDING TO SATISFY THEMSELVES BY PERSONAL EXAMINATION OR BY SUCH OTHER MEANS AS THEY MAY PREFER, OF THE LOCATION OF THE PROPOSED WORK, AND OF THE ACTUAL CONDITIONS OF, AND AT, THE SITE OF WORK. IF, DURING THE COURSE OF THEIR EXAMINATION, A BIDDER FINDS FACTS OR CONDITIONS WHICH APPEAR TO THEM TO BE IN CONFLICT WITH THE LETTER OR SPIRIT OF THE PROJECT PLANS AND SPECIFICATIONS, THEY SHALL CONTACT THE ENGINEER FOR ADDITIONAL INFORMATION AND EXPLANATION BEFORE SUBMITTING THEIR BID. SUBMISSION OF A BID BY THE CONTRACTOR SHALL CONSTITUTE ACKNOWLEDGMENT THAT, IF AWARDED THE CONTRACT,

- THEY HAVE RELIED AND ARE RELYING ON THEIR OWN EXAMINATION OF (1) THE SITE OF THE WORK, (2) ACCESS TO THE SITE, AND (3) ALL OTHER DATA AND MATTERS REQUISITE TO THE FULFILLMENT OF THE WORK AND ON THEIR OWN KNOWLEDGE OF EXISTING FACILITIES ON AND IN THE VICINITY OF THE SITE OF THE WORK TO BE CONSTRUCTED UNDER THIS CONTRACT. THE INFORMATION PROVIDED BY THE OWNER OR THE ENGINEER IS NOT INTENDED TO BE A SUBSTITUTE FOR, OR A SUPPLEMENT TO THE INDEPENDENT VERIFICATION BY THE CONTRACTOR TO THE EXTENT SUCH INDEPENDENT INVESTIGATION OF SITE CONDITIONS IS DEEMED NECESSARY OR DESIRABLE BY THE CONTRACTOR. CONTRACTOR SHALL ACKNOWLEDGE THAT THEY HAVE NOT RELIED SOLELY UPON OWNER OR ENGINEER FURNISHED INFORMATION REGARDING SITE CONDITIONS IN PREPARING AND SUBMITTING THEIR BID.
11) THE CONTRACTOR SHALL PROVIDE ALL LIGHTS, BARRICADES, SIGNS, FLAGMEN OR OTHER DEVICES NECESSARY FOR PUBLIC SAFETY.
12) THE CONTRACTOR SHALL BE RESPONSIBLE TO PROVIDE ALL WATER, POWER, SANITARY FACILITIES AND TELEPHONE SERVICES AS REQUIRED FOR THE CONTRACTORS USE DURING CONSTRUCTION.
13) THE CONTRACTOR SHALL BE HELD RESPONSIBLE FOR ANY FIELD CHANGES MADE WITHOUT PRIOR WRITTEN AUTHORIZATION FROM THE OWNER AND/OR ENGINEER.
14) THE CONTRACTOR SHALL EXERCISE DUE CAUTION AND SHALL CAREFULLY PRESERVE BENCH MARKS, CONTROL POINTS, SECTION CORNERS, REFERENCE POINTS AND ALL SURVEY STAKES, AND SHALL BEAR ALL EXPENSES FOR REPLACEMENT AND/OR ERRORS CAUSED BY UNNECESSARY LOSS OR DISTURBANCE.
15) THE CONTRACTOR AGREES THAT:
A) THEY SHALL BE RESPONSIBLE TO CLEAN THE JOB SITE AT THE END OF EACH DAY.
B) THEY SHALL BE RESPONSIBLE TO REMOVE AND DISPOSE OF ALL TRASH, SCRAP AND UNUSED MATERIAL AT THEIR OWN EXPENSE IN A TIMELY MANNER.
C) THEY SHALL BE RESPONSIBLE TO MAINTAIN THE SITE IN A NEAT, SAFE AND ORDERLY MANNER AT ALL TIMES.
D) THEY SHALL BE RESPONSIBLE TO KEEP MATERIALS, EQUIPMENT, AND TRASH OUT OF THE WAY OF OTHER CONTRACTORS SO AS NOT TO DELAY THE JOB. FAILURE TO DO SO WILL RESULT IN A DEDUCTION FOR THE COST OF CLEAN UP FROM THE FINAL PAYMENT.
E) THEY SHALL BE RESPONSIBLE FOR THEIR OWN SAFETY, TRAFFIC CONTROL, PERMITS, RETESTING AND RE-INSPECTIONS AT THEIR OWN EXPENSE.
16) THE CONTRACTOR SHALL ASSUME SOLE AND COMPLETE RESPONSIBILITY FOR JOBSITE CONDITIONS DURING THE COURSE OF CONSTRUCTION OF THIS PROJECT, INCLUDING SAFETY OF ALL PERSONS AND PROPERTY. THIS REQUIREMENT SHALL APPLY CONTINUOUSLY AND NOT BE LIMITED TO NORMAL WORKING HOURS. THE CONTRACTOR SHALL DEFEND, INDEMNIFY AND HOLD THE OWNER AND ENGINEER HARMLESS FROM ANY AND ALL LIABILITY, REAL OR ALLEGED, IN CONNECTION WITH THE PERFORMANCE OF WORK ON THIS PROJECT, EXCEPTING FOR LIABILITY ARISING FROM THE SOLE AND GROSS NEGLIGENCE OF THE OWNER OR THE ENGINEER.
17) DUST CONTROL SHALL BE PROVIDED AT ALL TIMES, AT THE CONTRACTOR'S EXPENSE, TO MINIMIZE ANY DUST NUISANCE AND SHALL BE IN ACCORDANCE WITH THE REQUIREMENTS OF HUNTSVILLE CITY.
18) WHEN CONSTRUCTION STAKING IS REQUIRED THE CONTRACTOR SHALL NOTIFY THE ENGINEER/LAND SURVEYOR 1 WEEK IN ADVANCE OF THE NEED FOR STAKING. ANY STAKING REQUESTED BY THE CONTRACTOR OR THEIR SUBCONTRACTORS THAT IS ABOVE AND BEYOND STANDARD STAKING NEEDS, INCLUDING RE-STAKING WILL BE SUBJECT TO A CONTRACTOR CHANGE ORDER AND THE IMPACT COSTS OF WORK PERFORMED
19) FOR ALL WORK WITHIN PUBLIC RIGHTS-OF-WAYS OR EASEMENTS, THE CONTRACTOR SHALL PRESERVE THE INTEGRITY AND LOCATION OF ANY AND ALL PUBLIC UTILITIES AND PROVIDE THE NECESSARY CONSTRUCTION TRAFFIC CONTROL. CONTRACTOR SHALL, THROUGH THE ENCROACHMENT PERMIT PROCESS, VERIFY WITH THE NECESSARY REGULATORY AGENCIES, THE NEED FOR ANY TRAFFIC ROUTING PLAN. IF PLAN IS REQUIRED, CONTRACTOR SHALL PROVIDE PLAN AND RECEIVE PROPER APPROVALS PRIOR TO BEGINNING CONSTRUCTION.
20) THE CONTRACTOR SHALL BE RESPONSIBLE FOR ADEQUATELY SCHEDULING INSPECTION AND TESTING OF ALL FACILITIES CONSTRUCTED UNDER THIS CONTRACT. ALL TESTING SHALL CONFORM TO THE REGULATORY AGENCY'S STANDARD SPECIFICATIONS. ALL RE-TESTING AND/OR RE-INSPECTION SHALL BE PAID FOR BY THE CONTRACTOR.
21) IF EXISTING FEATURES NEED TO BE DISTURBED AND/OR REMOVED FOR THE PROPER PLACEMENT OF IMPROVEMENTS TO BE CONSTRUCTED BY THESE PLANS, THE CONTRACTOR SHALL BE RESPONSIBLE FOR PROTECTING EXISTING FEATURES FROM DAMAGE. COST OF REPLACING OR REPAIRING EXISTING FEATURES SHALL BE INCLUDED IN THE BID PRICE FOR ITEMS REQUIRING REMOVAL AND/OR REPLACEMENT.
22) THE CONTRACTOR SHALL MAINTAIN A NEATLY MARKED SET OF

- FULL-SIZE AS-BUILT DRAWINGS SHOWING THE FINAL LOCATION AND LAYOUT OF ALL FACILITIES. AS-BUILT DRAWINGS SHALL REFLECT CHANGE ORDERS, ACCOMMODATIONS, AND ADJUSTMENTS TO ALL IMPROVEMENTS CONSTRUCTED. WHERE NECESSARY, SUPPLEMENTAL DRAWINGS SHALL BE PREPARED AND SUBMITTED BY THE CONTRACTOR. PRIOR TO ACCEPTANCE OF THE PROJECT, THE CONTRACTOR SHALL DELIVER TO THE ENGINEER, ONE SET OF NEATLY MARKED AS-BUILT DRAWINGS SHOWING THE INFORMATION REQUIRED ABOVE. AS-BUILT DRAWINGS SHALL BE REVIEWED AND THE COMPLETE AS-BUILT DRAWING SET SHALL BE CURRENT WITH ALL CHANGES AND DEVIATIONS REDLINED AS A PRECONDITION TO THE FINAL PROGRESS PAYMENT APPROVAL AND/OR FINAL ACCEPTANCE.
23) WORK IN EASEMENT AND/OR RIGHTS-OF-WAY IS SUBJECT TO THE APPROVAL AND ACCEPTANCE OF THE REGULATORY AGENCY RESPONSIBLE FOR OPERATION AND/OR MAINTENANCE OF SAID EASEMENT AND/OR RIGHTS-OF-WAY.
24) NO ALLOWANCE WILL BE MADE FOR DISCREPANCIES OR OMISSIONS THAT CAN BE EASILY OBSERVED. VERIFY ALL EXISTING CONDITIONS BEFORE BIDDING, AND ANSWER ANY QUESTIONS BEFORE CONSTRUCTION.
25) FURNISH, MAINTAIN, AND RESTORE ALL MONUMENTS AND MONUMENT REFERENCE MARKS WITHIN THE PROJECT SITE. CONTACT THE CITY OR COUNTY SURVEYOR FOR MONUMENT LOCATIONS AND CONSTRUCTION DETAILS.
26) PROVIDE A CONSTRUCTION SCHEDULE IN ACCORDANCE WITH CITY, COUNTY, AND STATE REGULATIONS FOR WORKING IN THE PUBLIC WAY.
27) FURNISH ALL MATERIALS TO COMPLETE THE PROJECT.
28) TRAFFIC CONTROL IS TO CONFORM TO THE CURRENT MUTCD AND UDOT STANDARDS.
29) CONTRACTOR SHALL BE RESPONSIBLE FOR ANY DAMAGE TO ADJACENT SURFACE IMPROVEMENTS.
30) ALL EXISTING ASPHALT WILL BE SAW CUT IN NEAT STRAIGHT LINES BY THE CONTRACTOR PRIOR TO EXCAVATION.
31) STRIPING WILL BE PER THE PLANS AND/OR AS DIRECTED BY THE OWNER'S REPRESENTATIVE. STRIPING TO INCLUDE HANDICAP INSIGNIAS, SIGNS, CROSS-HATCHING, DIRECTION ARROWS, ETC. AS SHOWN OR AS DIRECTED.

GENERAL CLEARING AND GRADING NOTES:

- 1) CLEARING, GRUBBING AND DISPOSAL OF VEGETATIVE MATERIAL NEEDS TO BE IN ACCORDANCE WITH STATE AND COUNTY REGULATIONS, WHICH APPLY TO SOLID WASTE.
2) CONTRACTOR SHALL PERFORM EARTHWORK IN ACCORDANCE WITH HUNTSVILLE STANDARD SPECIFICATIONS AND CONSTRUCTION STANDARDS, EROSION, SEDIMENT, RE-VEGETATION REQUIREMENTS, AND THE SWPP PLAN AS REQUIRED BY THE STATE OF UTAH, DEPARTMENT OF ENVIRONMENTAL QUALITY AND DIVISION OF AIR QUALITY.
3) THE CONTRACTOR WILL PERFORM EARTHWORK IN ACCORDANCE WITH TECHNICAL SPECIFICATIONS OUTLINED IN THE CONSTRUCTION STANDARDS AND THE RECOMMENDED EARTHWORK SPECIFICATIONS FOUND IN THE GEOTECHNICAL REPORT PROVIDED BY INTERMOUNTAIN GEOENVIRONMENTAL SERVICES INC. (2021, MAY) GEOTECHNICAL INVESTIGATION MAPLES PARKING LOT AND SNOWBASIN RESORT (IGES JOB NO. 02284-002).
4) SEDIMENTATION BMP'S SHOWN ON THE EROSION CONTROL AND SEDIMENT CONTROL PLANS (STORM WATER POLLUTION PREVENTION PLAN) TO BE INSTALLED WITHIN THE SAME WORKING DAY THE LAND DISTURBANCE OCCURS.
5) DUST CONTROL BMP'S ARE TO BE ON SITE AND IMPLEMENTED AS SOON AS LAND DISTURBANCE OCCURS.
6) THE EXISTING TOPOGRAPHY SHOWN ON THESE PLANS IS BASED ON DRAWINGS AND A TOPOGRAPHIC SURVEY PERFORMED BY CRS ENGINEERS. IF THE EXISTING GRADE IS DIFFERENT FROM WHAT IS SHOWN ON THE GRADING PLAN, STOP WORK AND CONTACT CRS ENGINEERS. WORK IS TO REMAIN STOPPED UNTIL THE ENGINEER PROVIDES A WRITTEN NOTICE TO RESUME WORK.
7) THE CONTRACTOR IS RESPONSIBLE FOR MAINTAINING THE STREETS, STORM DRAINS, CHANNELS, DITCHES, AND SWALES FREE FROM DEBRIS, SOIL, MUD, OR OTHER MATERIAL THAT WOULD CAUSE A PUBLIC SAFETY CONCERN OR VIOLATE ANY CITY, STATE, OR FEDERAL LAWS.
8) BMP'S ARE TO BE IN PLACE AND MAINTAINED UNTIL WRITTEN NOTIFICATION IS RECEIVED FROM HUNTSVILLE CITY.
9) IF DISTURBANCE OCCURS OUTSIDE THE LIMITS OF DISTURBANCE, WORK WILL STOP AND REMAIN STOPPED UNTIL A WRITTEN RESPONSE IS RECEIVED FROM THE ENGINEER.
10) THE CONTRACTOR SHALL REMOVE ALL VEGETATION AND DELETERIOUS MATERIALS FROM THE SITE UNLESS NOTED OTHERWISE.
11) NATURAL VEGETATION AND SOIL COVER SHALL NOT BE DISTURBED PRIOR TO ACTUAL CONSTRUCTION OF A REQUIRED FACILITY OR IMPROVEMENT. MASS CLEARING OF THE SITE IN ANTICIPATION OF CONSTRUCTION SHALL BE AVOIDED. CONSTRUCTION TRAFFIC SHALL BE LIMITED TO ONE APPROACH TO SITE. THE APPROACH SHALL BE DESIGNATED BY THE OWNER.

GENERAL UTILITY NOTES

- 1) THE LOCATIONS OF UNDERGROUND FACILITIES SHOWN ON THESE PLANS ARE BASED ON FIELD SURVEYS AND LOCAL UTILITY COMPANY RECORDS. IT SHALL BE THE CONTRACTORS FULL RESPONSIBILITY TO CONTACT THE VARIOUS UTILITY COMPANIES TO LOCATE THEIR FACILITIES PRIOR TO PROCEEDING WITH CONSTRUCTION. NO ADDITIONAL COMPENSATION SHALL BE PAID TO THE CONTRACTOR FOR DAMAGE AND REPAIR TO THESE FACILITIES CAUSED BY CONTRACTORS WORK FORCE.
2) START AT THE LOW END OF ALL GRAVITY FED LINES AND WORK UPHILL. FAILURE TO COMPLY WITH THIS NOTE SHALL RELEASE THE CIVIL ENGINEER OF ALL LIABILITY.
3) CONTRACTOR SHALL LAYOUT AND POTHOLE FOR ALL POTENTIAL CONFLICTS WITH UTILITY LINES ON OR OFF SITE AS REQUIRED PRIOR TO ANY CONSTRUCTION.
4) STORM DRAIN - SEE WEBER COUNTY STANDARDS & SPECIFICATIONS FOR ALL DETAILS & SPECIFICATIONS GOVERNING THE CONSTRUCTION & INSPECTION OF THE STORM DRAIN & APPURTENANCES WITHIN THE PUBLIC RIGHT-OF-WAY AS SHOWN ON THIS PLAN. SEE THE DETAILS PROVIDED ON THIS SET OF DRAWINGS FOR ALL OTHER STORM DRAIN CONSTRUCTION. APWA STANDARDS WILL BE USED IN THE ABSENCE OF ANY STANDARDS AND DETAILS.
5) ALL DIMENSIONS AND GRADES OF EXISTING STORM DRAIN PIPES, BOX CULVERTS, STRUCTURES, ETC. SHOWN ON THE PLANS SHALL BE VERIFIED BY THE CONTRACTOR PRIOR TO CONSTRUCTION. NOTIFY THE ENGINEER IF ANY DISCREPANCIES EXIST, PRIOR TO PROCEEDING WITH CONSTRUCTION FOR NECESSARY PLAN OR GRADE CHANGES. NO EXTRA COMPENSATION SHALL BE PAID TO THE CONTRACTOR FOR WORK HAVING TO BE REDONE DUE TO THE DIMENSIONS OR GRADES SHOWN INCORRECTLY ON THESE PLANS, IF SUCH NOTIFICATION HAS NOT BEEN GIVEN.
6) THESE PLANS SHOW THE LOCATION OF POWER, NATURAL GAS, AND COMMUNICATIONS UTILITIES, BUT ARE NOT DESIGN DRAWINGS FOR THE RELOCATION OR REMOVAL OF EXISTING DRY UTILITIES, NOR FOR ANY NEW DRY UTILITY STUBS. CONTRACTOR IS TO SUBMIT SITE PLAN TO DRY UTILITIES FOR DESIGN OF SERVICE CONNECTIONS TO BUILDING. ACTUAL CONSTRUCTION OF SAID SERVICES TO BE DONE BY RESPECTIVE UTILITY PROVIDERS.
7) VERIFY DEPTHS OF UTILITIES IN THE FIELD BY POT HOLING A MINIMUM OF 300 FEET AHEAD OF PIPELINE CONSTRUCTION TO AVOID CONFLICTS WITH DESIGNED PIPELINE GRADE AND ALIGNMENT. IF A CONFLICT ARISES RESULTING FROM THE CONTRACTOR'S NEGLIGENCE TO POT HOLE UTILITIES THE CONTRACTOR WILL BE REQUIRED TO RESOLVE THE CONFLICT WITHOUT ADDITIONAL COST OR CLAIM TO THE OWNER OR ENGINEER.
8) ALL DIMENSIONS, GRADES, AND UTILITY DESIGNS SHOWN ON THE PLANS SHALL BE VERIFIED BY THE CONTRACTOR PRIOR TO CONSTRUCTION. NOTIFY THE ENGINEER IF ANY DISCREPANCIES EXIST, PRIOR TO PROCEEDING WITH CONSTRUCTION FOR NECESSARY PLAN OR GRADE CHANGES. NO EXTRA COMPENSATION SHALL BE PAID TO THE CONTRACTOR FOR WORK HAVING TO BE REDONE DUE TO THE DIMENSIONS OR GRADES SHOWN INCORRECTLY ON THESE PLANS, IF SUCH NOTIFICATION HAS NOT BEEN GIVEN.
9) NO CHANGE IN DESIGN LOCATION OR GRADE WILL BE MADE BY THE CONTRACTOR WITHOUT THE WRITTEN APPROVAL OF THE PROJECT ENGINEER.
10) ALL EXISTING MANHOLES, WATER VALVES, CLEAN OUTS, ETC., ARE TO BE RAISED OR LOWERED TO GRADE.

ABBREVIATIONS

Table with 2 columns: Abbreviation and Full Name. Includes entries for APPROX, ANSI, APWA, AWWA, BF, BLDG, C, C TO C, CB, CI, CL, CLR, CMP, CO, CONC, DI, DIM, DWG, E, EA, EG, EL, ELEV, EP, EW, EX, FG, FH, FL, FLG, FT, HDPE, HORIZ, HP, ID, IE, INV, IRR, LT, L, LBS, LIN, LP, MAX, MEG, MIN, MJ, N, N/A, NIC, NO, NTS, OC, OD, OSHA, PE, PG, PI, PJDI, PSF, PSI, PUE, PVC, RCP, R, RT, RJ, S, SEC, SS, STA, STD, T, TB, TBA, TBC, TC, TYP, UDOT, VERT, W, WCPW, W, WWF, LINEAR FEET, LINEAR, LOW POINT, MAXIMUM, MATCH EXISTING GRADE, MINIMUM, MECHANICAL JOINT, NORTH, NOT APPLICABLE, NOT IN CONTACT, NUMBER, NOT TO SCALE, ON CENTER, OUTSIDE DIAMETER, OCCUPATIONAL SAFETY & HEALTH ADMINISTRATION, PLAIN END, PAGE, POINT OF INTERSECTION, PUSH-ON JOINT, DUCTILE IRON, POUNDS PER FOOT, POUNDS PER SQUARE INCH, PUBLIC UTILITY, EASEMENT, POLYVINYL CHLORIDE, REINFORCED CONCRETE PIPE, RADIUS, RIGHT, RESTRAINED JOINT, SOUTH, SECTION, SANITARY SEWER, STATION, STANDARD, TOP, THRUST BLOCK, TO BE ABANDONED, TOP BACK CURB, TOP OF CONCRETE, TYPICAL, UTAH DEPARTMENT OF TRANSPORTATION, VERTICAL, WATER, WEST, WEBER COUNTY PUBLIC WORKS, WITH, WELDED WIRE FABRIC.

PRELIMINARY
NOT FOR CONSTRUCTION

File Path: P:\2021-0176 snowbasin-glamping concept design\Drawings\SHEETS\G002.dwg Sep 24, 2021 - 2:21 pm

RECORD OF REVISIONS table with columns for revision number, description, and date.

IF THE ABOVE SCALE BAR DOES NOT MEASURE 1-INCH IN LENGTH, DO NOT USE THIS DRAWING FOR SCALING PURPOSES. DIMENSIONS AND MEASUREMENTS SPECIFIED IN THE DRAWING TAKE PRECEDENCE TO SCALED MEASUREMENTS.
THE INFORMATION CONTAINED IN THIS DRAWING IS THE PROPERTY OF CRS ENGINEERS AND IS NOT TO BE REPRODUCED, MODIFIED OR USED FOR ANY OTHER PROJECT OR EXTENSION OF THIS PROJECT EXCEPT BY AGREEMENT WITH CRS ENGINEERS.

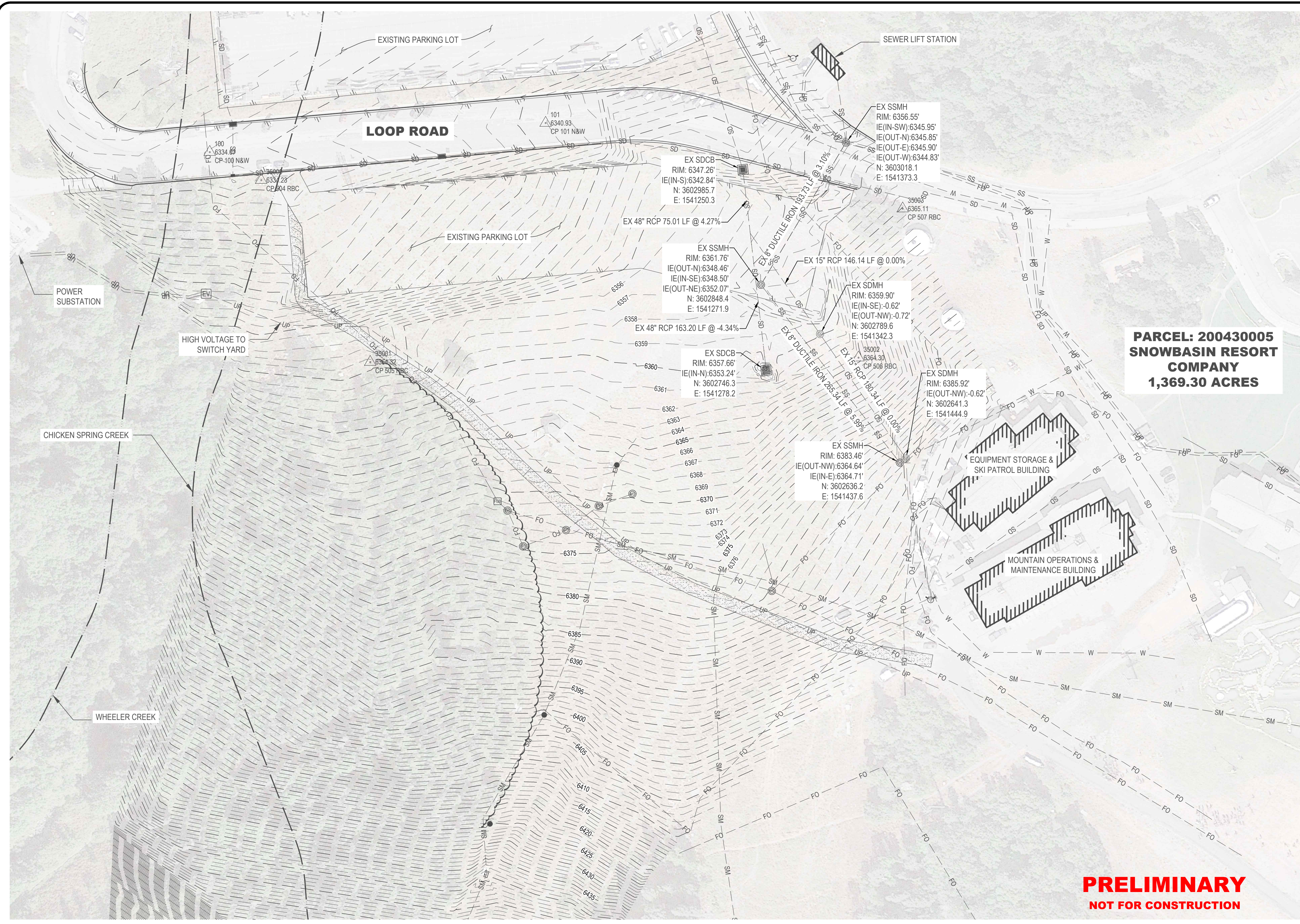
PROJECT MANAGER: D. EYRE, PE
PROJECT MANAGER: G. NELSON, PE
CHECKED BY: D. EYRE, PE
DRAWN BY: K. BAILEY
DRAWING SCALE: NONE
ISSUE DATE: SEPTEMBER 24, 2021

CRS ENGINEERS logo and contact information: 4246 S Riverboat Rd, Ste 200 | Salt Lake City, UT 84123 | P: 801.359.5565 | www.crsengineers.com

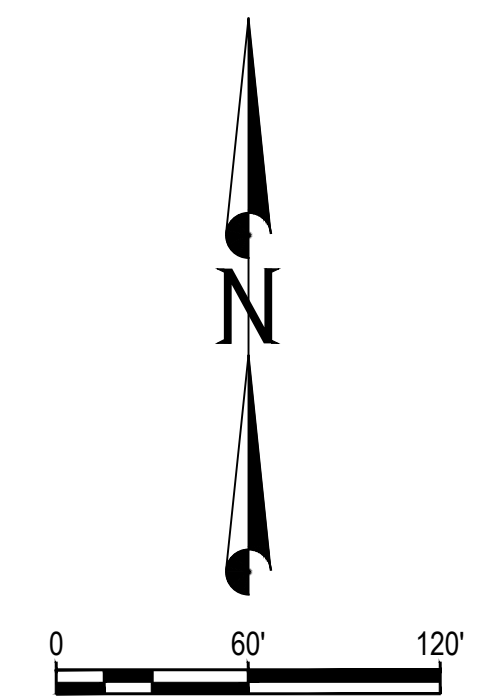
SNOWBASIN RESORT
SNOWBASIN GLAMPING DESIGN
GENERAL NOTES
3925 SNOWBASIN ROAD

Project information table: PROJECT NUMBER: 2021-0176, SHEET: 2 OF 10, SHEET NUMBER: G002, HUNTSVILLE, UT 84317

File Path: P:\2021-01-176 snowbasin-glamping concept design\Drawings\Sheet\CS101.dwg Sep 24, 2021 - 2:21 pm



**PARCEL: 200430005  
SNOWBASIN RESORT  
COMPANY  
1,369.30 ACRES**



**EXISTING CONDITIONS LEGEND**

- EX BUILDING
- EX DIRT ROAD
- EX FIBER OPTIC BOX
- EX ELECTRICAL UTILITY
- EX UTILITY MANHOLE
- EX FIRE HYDRANT
- EX STORM CATCH BASIN
- EX SNOWMAKING STRUCTURE
- EX EDGE OF ASPHALT
- EX SANITARY SEWER LINE
- EX STORM DRAIN LINE
- EX CULINARY WATERLINE
- EX SNOWMAKING WATERLINE
- EX OVERHEAD POWER
- EX UNDERGROUND POWER
- EX FIBER OPTIC
- EXISTING TREE LINE

**SURVEY CONTROL TABLE**

POINT #	PROJECT COORDINATES (MEAS.)			DESCRIPTION
	NORTHING	EASTING	ELEVATION	
100	3603006.69	1540614.40	6334.07	CP 100 N&W
101	3603041.37	1541015.02	6340.93	CP 101 N&W
35000	3602973.30	1540675.81	6334.23	CP 504 RBC
35001	3602756.21	1540805.83	6354.32	CP 505 RBC
35002	3602761.46	1541388.21	6364.30	CP 506 RBC
35003	3602939.27	1541440.96	6365.11	CP 507 RBC

**SHEET NOTES**

- THE ENGINEER HAS MADE A PRELIMINARY EFFORT TO LOCATE EXISTING UTILITY LINES FROM RECORDS PROVIDED BY OTHERS\* AND EVIDENCE IN THE FIELD.  
\*STANTEC, (2000, NOVEMBER 16), SNOWBASIN SKI AREA, AS-BUILT DRAWINGS, WASTEWATER FACILITIES MASTER PLAN - PHASE I (PROJECT NUMBER 86200191) [CONSTRUCTION DRAWING].  
\*STANTEC, (2009, JUNE 19), SNOWBASIN RESORT - INFRASTRUCTURE MASTER PLAN.  
[HTTP://WWW.CO.WEBER.UT.US/MEDIA/WIKI/IMAGES/5/5E/EXHIBIT\\_1\\_STANTEC\\_MASTER\\_PLAN\\_20090619.PDF](http://www.co.weber.ut.us/MEDIA/WIKI/IMAGES/5/5E/EXHIBIT_1_STANTEC_MASTER_PLAN_20090619.PDF)
- FIRE PROTECTION TBD BY WEBER COUNTY.
- 

**PRELIMINARY  
NOT FOR CONSTRUCTION**

NO.	DATE	DESCRIPTION

IF THE ABOVE SCALE BAR DOES NOT MEASURE 1-INCH IN LENGTH, DO NOT USE THIS DRAWING FOR SCALING PURPOSES. DIMENSIONS AND MEASUREMENTS SPECIFIED IN THE DRAWING TAKE PRECEDENCE TO SCALED MEASUREMENTS.

THE INFORMATION CONTAINED IN THIS DRAWING IS THE PROPERTY OF CRS ENGINEERS AND IS NOT TO BE REPRODUCED, MODIFIED OR USED FOR ANY OTHER PROJECT OR EXTENSION OF THIS PROJECT EXCEPT BY AGREEMENT WITH CRS ENGINEERS.

PRINCIPAL  
**D. EYRE, PE**

PROJECT MANAGER  
**G. NELSON, PE**

CHECKED BY  
**D. EYRE, PE**

DRAWN BY  
**K. BAILEY**

DRAWING SCALE  
**1" = 60'**

ISSUE DATE  
**SEPTEMBER 24, 2021**

**CRS ENGINEERS**  
Answers to Infrastructure®

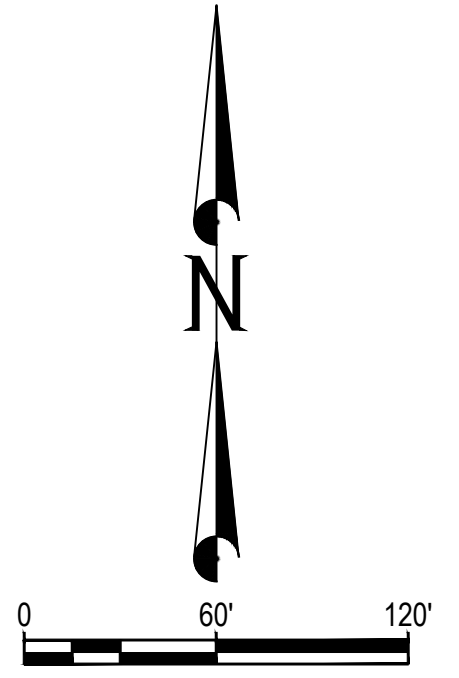
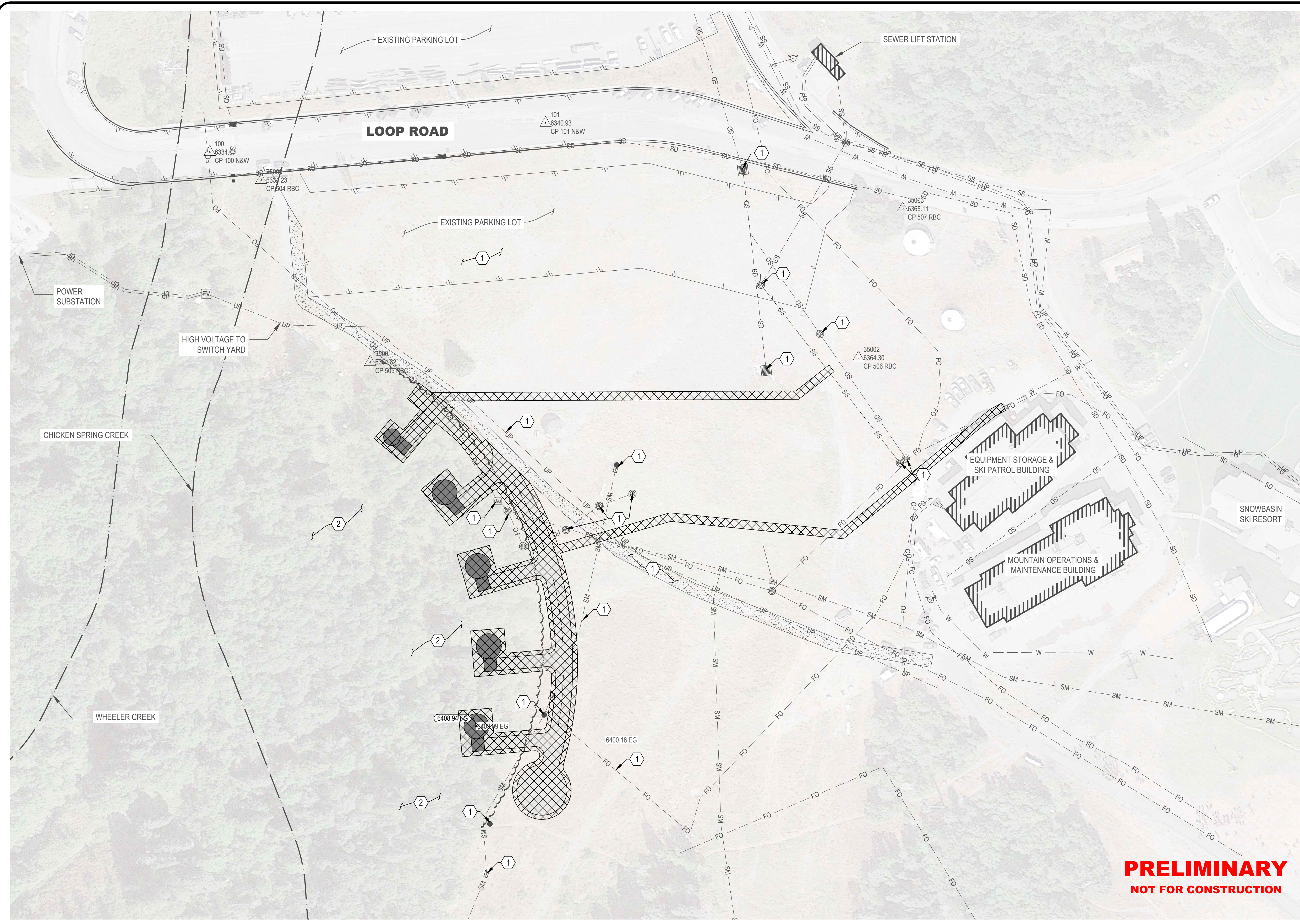
4246 S Riverboat Rd, Ste 200 | Salt Lake City, UT 84123 | P: 801.359.5565 | www.crsengineers.com

SNOWBASIN RESORT  
SNOWBASIN GLAMPING DESIGN  
EXISTING CONDITIONS

3925 SNOWBASIN ROAD  
HUNTSVILLE, UT 84317

PROJECT NUMBER 2021-0176	
SHEET 3	OF 10
SHEET NUMBER <b>CS101</b>	

File Path: P:\2021-01-176 snowbasin-glamping concept design\Drawings\SHEETS\CD101.dwg Sep 24, 2021 - 2:27 pm



**EXISTING CONDITIONS LEGEND**

- EX BUILDING
- EX DIRT ROAD
- EX FIBER OPTIC BOX
- EX ELECTRICAL UTILITY
- EX UTILITY MANHOLE
- EX FIRE HYDRANT
- EX STORM CATCH BASIN
- EX SNOWMAKING STRUCTURE
- EX EDGE OF ASPHALT
- EX SANITARY SEWER LINE
- EX STORM DRAIN LINE
- EX CULINARY WATERLINE
- EX SNOWMAKING WATERLINE
- EX OVERHEAD POWER
- EX UNDERGROUND POWER
- EX FIBER OPTIC
- EXISTING TREE LINE
- DEMOLITION AREA

**DEMOLITION KEYED NOTES**

- 1 PROTECT IN PLACE
- 2 PRESERVE ALL VEGETATION OUTSIDE OF CONSTRUCTION LIMITS

**SHEET NOTES**

1. THE ENGINEER HAS MADE A PRELIMINARY EFFORT TO LOCATE EXISTING UTILITY LINES FROM RECORDS PROVIDED BY OTHERS\* AND EVIDENCE IN THE FIELD.  
 \*STANTEC, (2000, NOVEMBER 16). SNOWBASIN SKI AREA, AS-BUILT DRAWINGS, WASTEWATER FACILITIES MASTER PLAN - PHASE I (PROJECT NUMBER 86200191) [CONSTRUCTION DRAWING].  
 \*STANTEC, (2009, JUNE 19). SNOWBASIN RESORT - INFRASTRUCTURE MASTER PLAN.  
[HTTP://WWW.CO.WEBSTER.UT.US/MEDIA/WIKI/IMAGES/5/5E/EXHIBIT\\_1\\_STANTEC\\_MASTER\\_PLAN\\_20090619.PDF](http://www.co.webster.ut.us/MEDIA/WIKI/IMAGES/5/5E/EXHIBIT_1_STANTEC_MASTER_PLAN_20090619.PDF)
2. POT HOLE EXISTING UTILITIES TO VERIFY HORIZONTAL, VERTICAL LOCATION AND SIZE PRIOR TO COMMENCING ALL CONSTRUCTION

PRELIMINARY  
NOT FOR CONSTRUCTION

RECORD OF REVISIONS

IF THE ABOVE SCALE BAR DOES NOT MEASURE 1-INCH IN LENGTH, DO NOT USE THIS DRAWING FOR SCALING PURPOSES. DIMENSIONS AND MEASUREMENTS SPECIFIED IN THE DRAWING TAKE PRECEDENCE TO SCALED MEASUREMENTS.

THE INFORMATION CONTAINED IN THIS DRAWING IS THE PROPERTY OF CRS ENGINEERS AND IS NOT TO BE REPRODUCED, MODIFIED OR USED FOR ANY OTHER PROJECT OR EXTENSION OF THIS PROJECT EXCEPT BY AGREEMENT WITH CRS ENGINEERS.

PRINCIPAL  
**D. EYRE, PE**

PROJECT MANAGER  
**G. NELSON, PE**

CHECKED BY  
**D. EYRE, PE**

DRAWN BY  
**K. BAILEY**

DRAWING SCALE  
**1" = 60'**

ISSUE DATE  
**SEPTEMBER 24, 2021**

CRS ENGINEERS

Answers to Infrastructure®

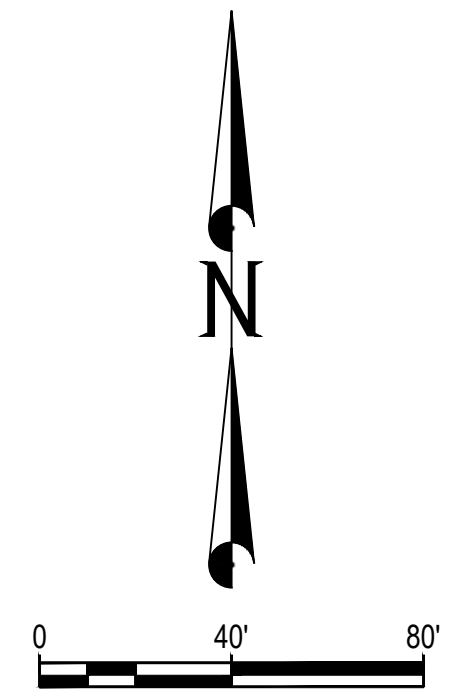
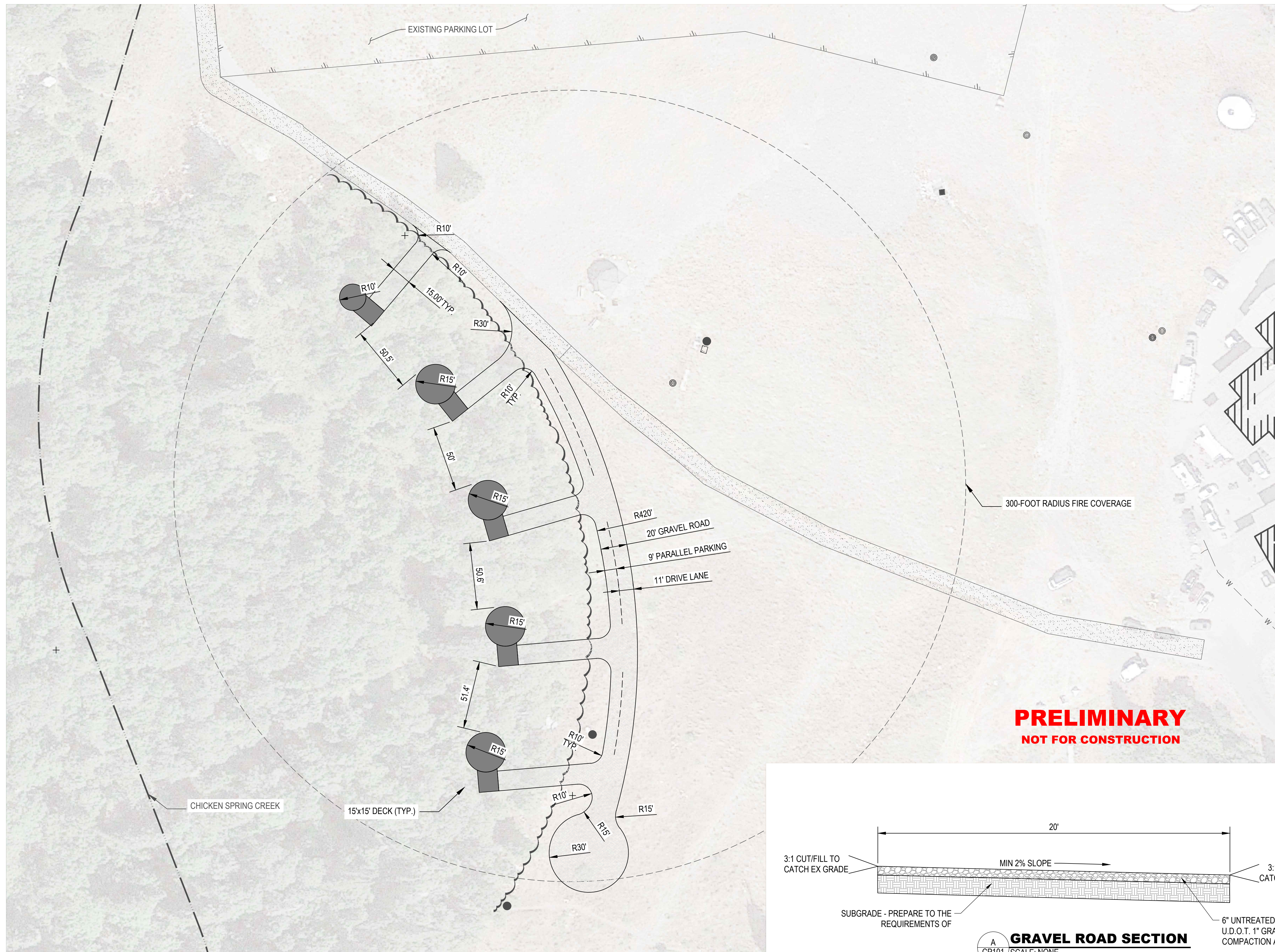
4246 S Riverboat Rd, Ste 200 | Salt Lake City, UT 84123 | P: 801.359.5565 | www.crsengineers.com

SNOWBASIN RESORT  
SNOWBASIN GLAMPING DESIGN  
DEMOLITION PLAN

3925 SNOWBASIN ROAD

HUNTSVILLE, UT 84317

PROJECT NUMBER <b>2021-0176</b>	
SHEET <b>4</b>	OF <b>10</b>
SHEET NUMBER <b>CD101</b>	



**SITE PLAN LEGEND**

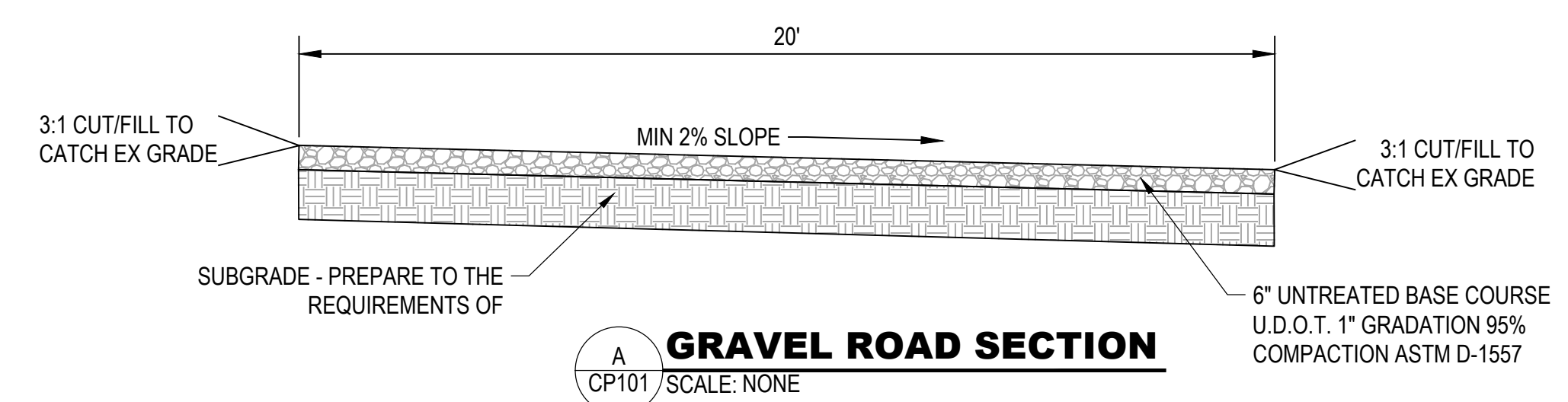
- EX BUILDING
- EX DIRT ROAD
- EX FIBER OPTIC BOX
- EX ELECTRICAL UTILITY
- EX UTILITY MANHOLE
- EX FIRE HYDRANT
- EX STORM CATCH BASIN
- EX SNOWMAKING STRUCTURE
- EX EDGE OF ASPHALT
- EX SANITARY SEWER LINE
- EX STORM DRAIN LINE
- EX CULINARY WATERLINE
- EX SNOWMAKING WATERLINE
- EX OVERHEAD POWER
- EX UNDERGROUND POWER
- EX FIBER OPTIC
- EXISTING TREE LINE
- PROP BUILDING AND DECK
- PROP GRAVEL ROAD
- PROP FIRE HYDRANT
- PROP WATER VALVE
- PROP CULINARY WATERLINE
- PROP FIBER OPTIC
- PROP SANITARY SEWER
- PROP SEWER MANHOLE/LIFT STATION

**SITE PLAN KEYED NOTES**

- ① DIRT ROAD PER DETAIL A/CP101
- ② MATCH EXISTING DIRT ROAD ELEVATION

**SHEET NOTES**

1. THE ENGINEER HAS MADE A PRELIMINARY EFFORT TO LOCATE EXISTING UTILITY LINES FROM RECORDS PROVIDED BY OTHERS\* AND EVIDENCE IN THE FIELD.  
 \*STANTEC. (2000, NOVEMBER 16). SNOWBASIN SKI AREA, AS-BUILT DRAWINGS, WASTEWATER FACILITIES MASTER PLAN - PHASE I (PROJECT NUMBER 86200191) [CONSTRUCTION DRAWING].  
 \*STANTEC. (2009, JUNE 19). SNOWBASIN RESORT - INFRASTRUCTURE MASTER PLAN.  
[HTTP://WWW.CO.WEBER.UT.US/MEDIAWIKI/IMAGES/5/5E/EXHIBIT\\_1\\_STANTEC\\_MASTER\\_PLAN\\_20090619.PDF](http://www.co.weber.ut.us/MEDIAWIKI/IMAGES/5/5E/EXHIBIT_1_STANTEC_MASTER_PLAN_20090619.PDF)
2. FIRE PROTECTION TBD BY WEBER COUNTY.
3. SANITARY SEWER CONSTRUCTION SHALL COMPLY WITH ????? DESIGN STANDARDS & SPECIFICATIONS.
4. ROADWAY CONSTRUCTION SHALL COMPLY WITH ????? STANDARDS AND SPECIFICATIONS.



**GRAVEL ROAD SECTION**  
 A CP101 SCALE: NONE

File Path: P:\2021-01-16 snowbasin-glamping concept design\Drawings\SHEETS\CP101.dwg Sep 24, 2021 - 2:21 pm

NO.	DATE	DESCRIPTION

IF THE ABOVE SCALE BAR DOES NOT MEASURE 1-INCH IN LENGTH, DO NOT USE THIS DRAWING FOR SCALING PURPOSES. DIMENSIONS AND MEASUREMENTS SPECIFIED IN THE DRAWING TAKE PRECEDENCE TO SCALED MEASUREMENTS.

THE INFORMATION CONTAINED IN THIS DRAWING IS THE PROPERTY OF CRS ENGINEERS AND IS NOT TO BE REPRODUCED, MODIFIED OR USED FOR ANY OTHER PROJECT OR EXTENSION OF THIS PROJECT EXCEPT BY AGREEMENT WITH CRS ENGINEERS.

PRINCIPAL  
D. EYRE, PE

PROJECT MANAGER  
G. NELSON, PE

CHECKED BY  
D. EYRE, PE

DRAWN BY  
K. BAILEY

DRAWING SCALE  
1" = 40'

ISSUE DATE  
SEPTEMBER 24, 2021

**CRS ENGINEERS**  
 Answers to Infrastructure®

4246 S Riverboat Rd, Ste 200 | Salt Lake City, UT 84123 | P: 801.359.5565 | www.crsengineers.com

SNOWBASIN RESORT  
 SNOWBASIN GLAMPING DESIGN  
 SITE PLAN

3925 SNOWBASIN ROAD

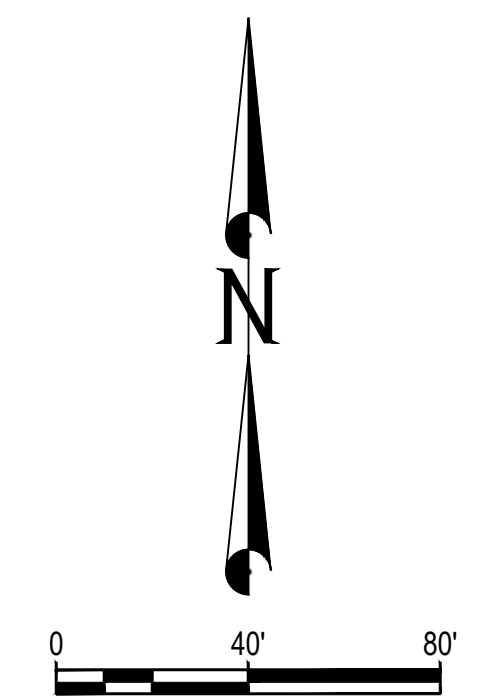
HUNTSVILLE, UT 84317

PROJECT NUMBER  
2021-0176

SHEET  
5 OF 10

SHEET NUMBER  
CP101

File Path: P:\2021-07-16 snowbasin-glamping concept design\Drawings\SHEET\CG101.dwg Sep 24, 2021 - 2:25pm



ABBREVIATIONS		GRADING PLAN LEGEND	
EG	EXISTING GRADE	XXX.XX	SPOT ELEVATION
FFE	FINISH FLOOR ELEV	X.XX%	SLOPE OF FINISH GRADE
FG	FINISH GRADE	-4200	EX MAJOR CONTOUR
FL	FLOW LINE	-4201	EX MINOR CONTOUR
TOA	TOP OF ASPHALT	-4200	MAJOR CONTOUR
		-4201	MINOR CONTOUR

**SHEET NOTES**

1. THE ENGINEER HAS MADE AN EXTENSIVE EFFORT TO LOCATE ALL EXISTING UTILITY LINES FROM RECORDS PROVIDED BY OTHERS AND EVIDENCE IN THE FIELD. CONTRACTOR TO VERIFY ALL EXISTING UTILITY LOCATIONS PRIOR TO COMMENCING WORK.

**PRELIMINARY**  
**NOT FOR CONSTRUCTION**

NO.	DATE	DESCRIPTION

IF THE ABOVE SCALE BAR DOES NOT MEASURE 1-INCH IN LENGTH, DO NOT USE THIS DRAWING FOR SCALING PURPOSES. DIMENSIONS AND MEASUREMENTS SPECIFIED IN THE DRAWING TAKE PRECEDENCE TO SCALED MEASUREMENTS.

THE INFORMATION CONTAINED IN THIS DRAWING IS THE PROPERTY OF CRS ENGINEERS AND IS NOT TO BE REPRODUCED, MODIFIED OR USED FOR ANY OTHER PROJECT OR EXTENSION OF THIS PROJECT EXCEPT BY AGREEMENT WITH CRS ENGINEERS.

PRINCIPAL  
D. EYRE, PE

PROJECT MANAGER  
G. NELSON, PE

CHECKED BY  
D. EYRE, PE

DRAWN BY  
K. BAILEY

DRAWING SCALE  
1" = 40'

ISSUE DATE  
SEPTEMBER 24, 2021

**CRS ENGINEERS**  
Answers to Infrastructure®

4246 S Riverboat Rd, Ste 200 | Salt Lake City, UT 84123 | P: 801.359.5565 | www.crsengineers.com

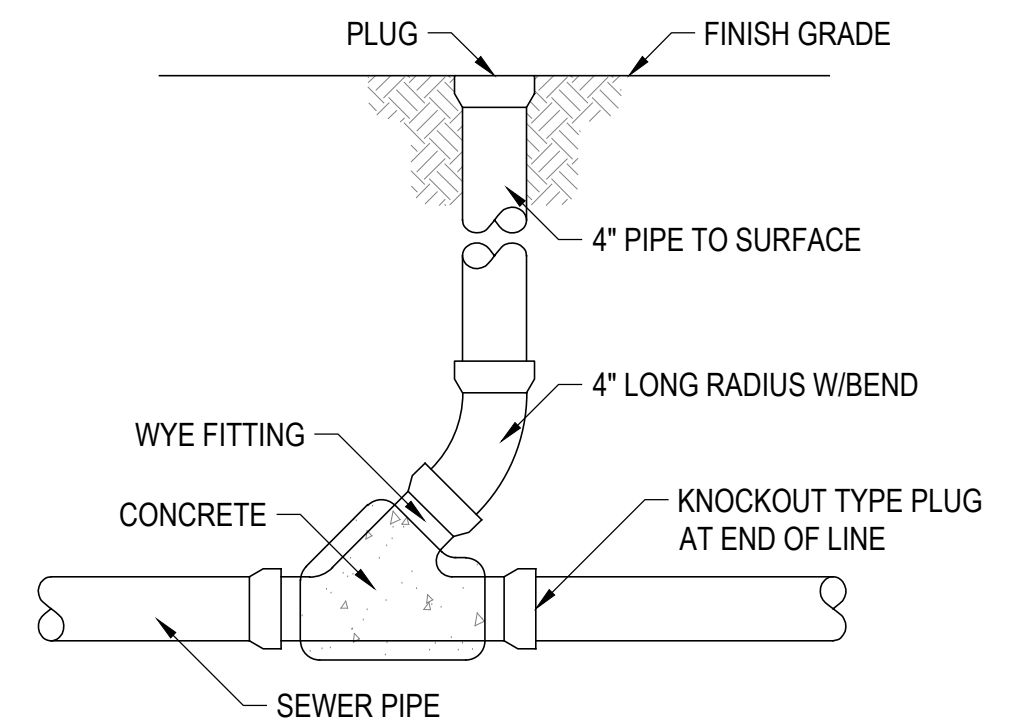
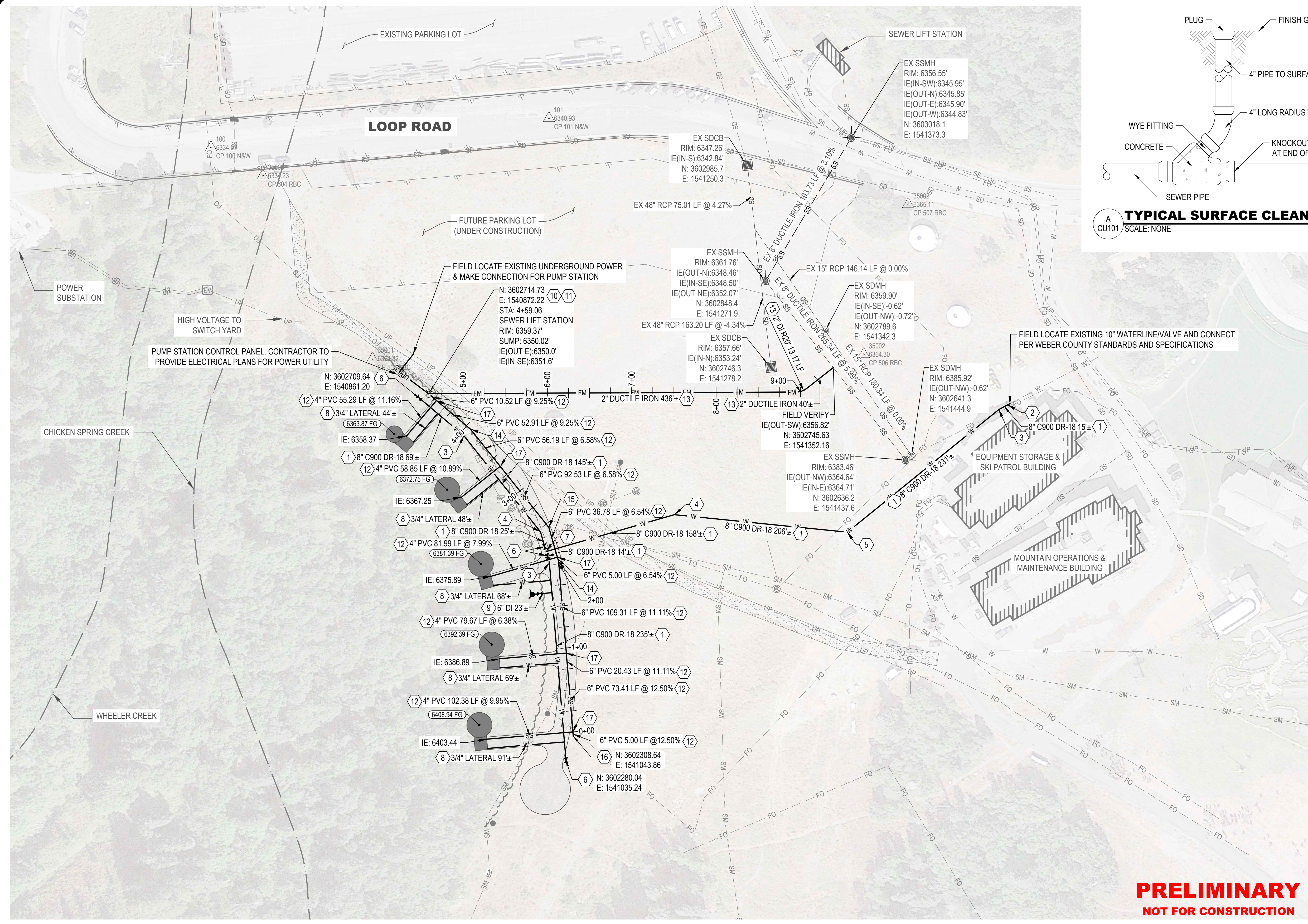
SNOWBASIN RESORT  
SNOWBASIN GLAMPING DESIGN  
SITE GRADING

3925 SNOWBASIN ROAD

HUNTSVILLE, UT 84317

PROJECT NUMBER 2021-0176	
SHEET 6	OF 10
SHEET NUMBER CG101	

File Path: P:\2021-07-16 snowbasin-glamping concept design\Drawings\Sheet\CU101.dwg Sep 24, 2021 - 2:26pm



**A** **TYPICAL SURFACE CLEANOUT**  
SCALE: NONE

- UTILITY PLAN LEGEND**
- FIRE HYDRANT
  - WATER VALVE
  - SANITARY SEWER MANHOLE
  - ELECTRICAL CONTROL PANEL
  - CULINARY WATERLINE
  - SANITARY SEWER LINE
  - FORCE MAIN SANITARY SEWER LINE
  - UNDERGROUND POWER

- UTILITY PLAN KEYED NOTES**
- 1 8" WATERLINE W/ TYPICAL TRENCH PER WCPW STD DWG 9 OF 17
  - 2 10"x8" REDUCER W/ THRUST BLOCK PER WCPW STD DWG 9 OF 17
  - 3 8" - 11.25° BEND W/ THRUST BLOCK PER WCPW STD DWG 9 OF 17
  - 4 8" - 22.5° BEND W/ THRUST BLOCK PER WCPW STD DWG 9 OF 17
  - 5 8" - 45° BEND W/ THRUST BLOCK PER WCPW STD DWG 9 OF 17
  - 6 8" GATE VALVE PER WCPW STANDARDS AND SPECIFICATIONS
  - 7 8"x8" TEE W/ THRUST BLOCK PER WCPW STD DWG 9 OF 17
  - 8 3/4" TYPE K COPPER WATER LATERAL W/ NO WATER METER PER TYPICAL RURAL CULINARY WATER SERVICE CONNECTION PER WCPW STD DWG 8 OF 17
  - 9 TYPICAL RURAL FIRE HYDRANT ASSEMBLY WITH 6" GATE VALVE PER WCPW STD DWG 8 OF 17
  - 10 48" SANITARY SEWER MANHOLE PER WCPW STD DWG 12 OF 17
  - 11 SEWER PUMP E/ONE DH-272-129" INSTALL PER MANUFACTURER STANDARDS AND SPECIFICATIONS
  - 12 SDR-35 PVC SANITARY SEWER PIPE (SEE PLAN FOR SIZE, LENGTH, & SLOPE) W/ TYPICAL TRENCH PER WCPW STD DWG 9 OF 17
  - 13 2" DUCTILE IRON SANITARY SEWER FORCE MAIN W/ TYPICAL TRENCH PER WCPW STD DWG 9 OF 17
  - 14 6" - 11.25° SEWER BEND W/ CLEANOUT PER DETAIL A/CU101
  - 15 6" - 22.5° SEWER BEND W/ CLEANOUT PER DETAIL A/CU101
  - 16 6" SANITARY SEWER CLEANOUT PER DETAIL A/CU101
  - 17 4"x6" WYE SANITARY SEWER CONNECTION PER WCPW STD DWG 11 OF 17

- SHEET NOTES**
1. THE ENGINEER HAS MADE A PRELIMINARY EFFORT TO LOCATE EXISTING UTILITY LINES FROM RECORDS PROVIDED BY OTHERS\* AND EVIDENCE IN THE FIELD.  
\*STANTEC. (2000, NOVEMBER 16). SNOWBASIN SKI AREA, AS-BUILT DRAWINGS, WASTEWATER FACILITIES MASTER PLAN - PHASE I (PROJECT NUMBER 86200191) [CONSTRUCTION DRAWING].  
\*STANTEC. (2009, JUNE 19). SNOWBASIN RESORT - INFRASTRUCTURE MASTER PLAN.  
[HTTP://WWW.CO.WEBER.UT.US/MEDIAWIKI/IMAGES/5/5E/EXHIBIT\\_1\\_STANTEC\\_MASTER\\_PLAN\\_20090619.PDF](http://www.co.weber.ut.us/MEDIAWIKI/IMAGES/5/5E/EXHIBIT_1_STANTEC_MASTER_PLAN_20090619.PDF)
  2. FIRE PROTECTION TBD BY WEBER COUNTY.
  3. CONTRACTOR TO INSTALL ALL UTILITY INFRASTRUCTURE PER WEBER COUNTY PUBLIC WORKS (WCPW) STANDARD SPECIFICATIONS.
  4. CONTRACTOR TO PROVIDE ELECTRICAL CONSTRUCTION PLANS FOR ALL POWER UTILITIES.

**PRELIMINARY**  
**NOT FOR CONSTRUCTION**

NO.	DATE	DESCRIPTION

IF THE ABOVE SCALE BAR DOES NOT MEASURE 1-INCH IN LENGTH, DO NOT USE THIS DRAWING FOR SCALING PURPOSES. DIMENSIONS AND MEASUREMENTS SPECIFIED IN THE DRAWING TAKE PRECEDENCE TO SCALED MEASUREMENTS.

THE INFORMATION CONTAINED IN THIS DRAWING IS THE PROPERTY OF CRS ENGINEERS AND IS NOT TO BE REPRODUCED, MODIFIED OR USED FOR ANY OTHER PROJECT OR EXTENSION OF THIS PROJECT EXCEPT BY AGREEMENT WITH CRS ENGINEERS.

PRINCIPAL  
D. EYRE, PE

PROJECT MANAGER  
G. NELSON, PE

CHECKED BY  
D. EYRE, PE

DRAWN BY  
K. BAILEY

DRAWING SCALE  
1" = 60'

ISSUE DATE  
SEPTEMBER 24, 2021

**CRS ENGINEERS**  
Answers to Infrastructure®

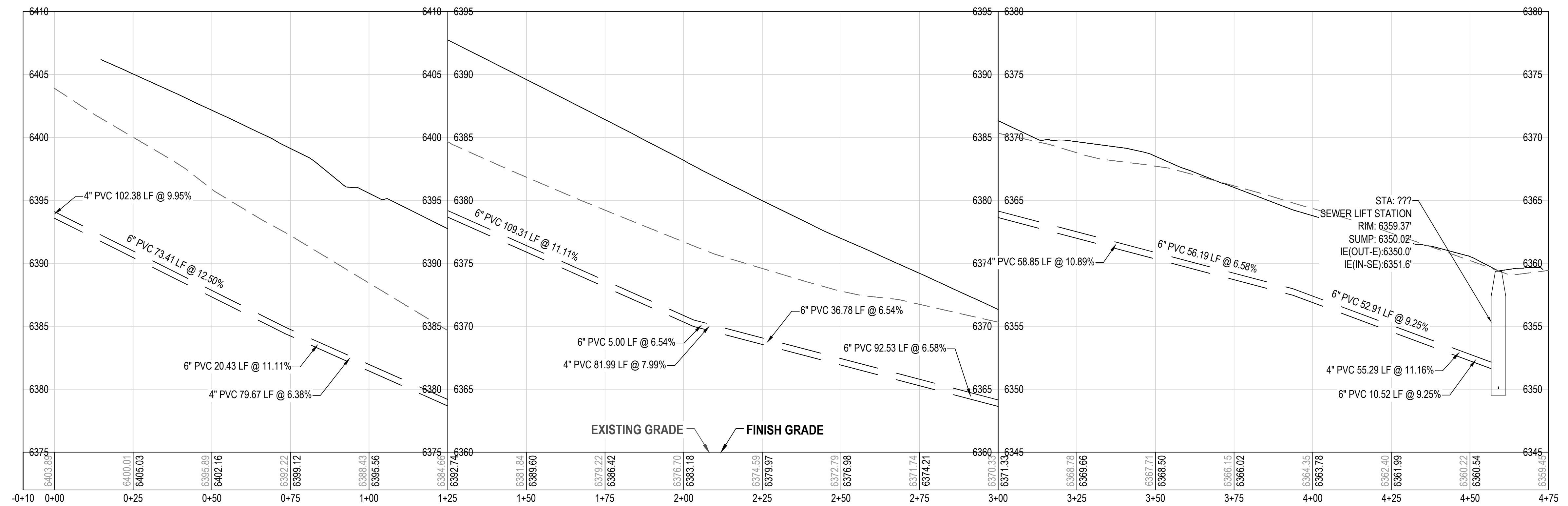
4246 S Riverboat Rd, Ste 200 | Salt Lake City, UT 84123 | P: 801.359.5565 | www.crsengineers.com

SNOWBASIN RESORT  
SNOWBASIN GLAMPING DESIGN  
UTILITY PLAN

3925 SNOWBASIN ROAD  
HUNTSVILLE, UT 84317

PROJECT NUMBER 2021-0176	
SHEET 7	OF 10
SHEET NUMBER <b>CU101</b>	

File Path: P:\2021-07-16 snowbasin-glamping concept design\Drawings\SHEET\CU301.dwg Sep 24, 2021 - 2:26pm



**1 SEWER PROFILE**  
 CU301 SCALE:  
 HORIZONTAL: 0 20' 40'  
 VERTICAL: 0 5' 10'

**PRELIMINARY**  
**NOT FOR CONSTRUCTION**

NO.	DATE	DESCRIPTION

IF THE ABOVE SCALE BAR DOES NOT MEASURE 1-INCH IN LENGTH, DO NOT USE THIS DRAWING FOR SCALING PURPOSES. DIMENSIONS AND MEASUREMENTS SPECIFIED IN THE DRAWING TAKE PRECEDENCE TO SCALED MEASUREMENTS.

THE INFORMATION CONTAINED IN THIS DRAWING IS THE PROPERTY OF CRS ENGINEERS AND IS NOT TO BE REPRODUCED, MODIFIED OR USED FOR ANY OTHER PROJECT OR EXTENSION OF THIS PROJECT EXCEPT BY AGREEMENT WITH CRS ENGINEERS.

PRINCIPAL: D. EYRE, PE  
 PROJECT MANAGER: G. NELSON, PE  
 CHECKED BY: D. EYRE, PE  
 DRAWN BY: K. BAILEY  
 DRAWING SCALE: AS SHOWN  
 ISSUE DATE: SEPTEMBER 24, 2021

**CRS ENGINEERS**  
 Answers to Infrastructure®  
 4246 S Riverboat Rd, Ste 200 | Salt Lake City, UT 84123 | P: 801.359.5565 | www.crsengineers.com

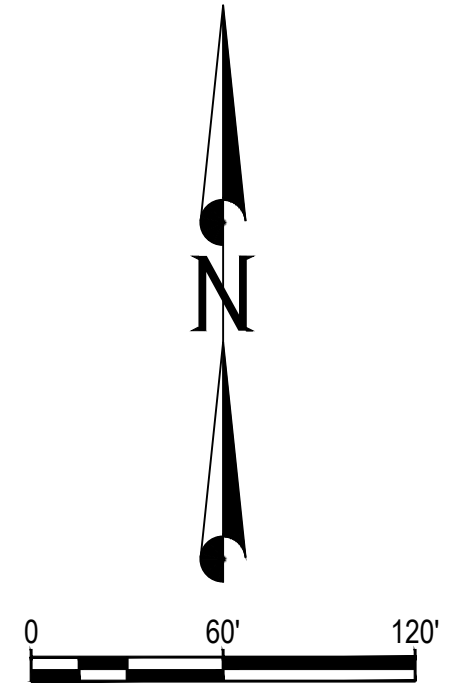
SNOWBASIN RESORT  
 SNOWBASIN GLAMPING DESIGN  
 UTILITY PROFILES AND DETAILS

3925 SNOWBASIN ROAD  
 HUNTSVILLE, UT 84317

PROJECT NUMBER 2021-0176	
SHEET 8	OF 10
SHEET NUMBER CU301	



File Path: P:\2021-0176 snowbasin-glamping concept design\Drawings\SHEETS\CE101.dwg Sep 24, 2021 - 2:26pm



**KEY SWPPP NOTES:**

1	TEMPORARY CONSTRUCTION EXIT (SEE DETAIL 1/CE501)	
2	GRAVEL FILLED WATTLE (SEE DETAIL 2/CE501)	
3	TEMPORARY SILT FENCE (SEE DETAIL 3/CE501)	
4	TEMPORARY INLET BARRIER (SEE DETAIL 4/CE501)	
5	STRAW BALE DIKE (SEE DETAIL 5/CE501)	
6	CONCRETE WASHOUT (SEE DETAIL 6/CE501)	

**PRELIMINARY**  
**NOT FOR CONSTRUCTION**

90%

NO.	DATE	DESCRIPTION

IF THE ABOVE SCALE BAR DOES NOT MEASURE 1 INCH IN LENGTH, DO NOT USE THIS DRAWING FOR SCALING PURPOSES. DIMENSIONS AND MEASUREMENTS SPECIFIED IN THE DRAWING TAKE PRECEDENCE TO SCALED MEASUREMENTS.

THE INFORMATION CONTAINED IN THIS DRAWING IS THE PROPERTY OF CRS ENGINEERS AND IS NOT TO BE REPRODUCED, MODIFIED OR USED FOR ANY OTHER PROJECT OR EXTENSION OF THIS PROJECT EXCEPT BY AGREEMENT WITH CRS ENGINEERS.

PRINCIPAL  
D. EYRE, PE  
PROJECT MANAGER  
G. NELSON, PE  
CHECKED BY  
D. EYRE, PE  
DRAWN BY  
K. BAILEY  
DRAWING SCALE  
1" = 60'  
ISSUE DATE  
SEPTEMBER 24, 2021

**CRS ENGINEERS**  
Answers to Infrastructure®

4246 S Riverboat Rd, Ste 200 | Salt Lake City, UT 84123 | P: 801.359.5565 | www.crsengineers.com

SNOWBASIN RESORT  
SNOWBASIN GLAMPING DESIGN  
SWPP PLAN

3925 SNOWBASIN ROAD

HUNTSVILLE, UT 84317

STAMP

PROJECT NUMBER 2021-0176	
SHEET 9	OF 10
SHEET NUMBER CE101	

# STORM WATER POLLUTION PREVENTION PLAN NOTES & DETAILS

### SPECIAL CONDITIONS, MANAGEMENT PRACTICES & RESPONSIBILITIES

- THIS STORM WATER POLLUTION PREVENTION PLAN (SWPPP) WAS DEVELOPED AT THE REQUEST OF THE OWNER: SNOWBASIN RESORT FOR THE CONSTRUCTION OF: SNOWBASIN GLAMPING DESIGN CITY: HUNTSVILLE, COUNTY: WEBER, STATE OF UTAH
- THIS PLAN IDENTIFIES POTENTIAL SOURCES OF POLLUTION WHICH MAY REASONABLY BE EXPECTED TO AFFECT THE QUALITY OF STORM WATER DISCHARGES FROM THE CONSTRUCTION SITE
- EXCEPT AS PERMITTED IN 4. BELOW, ALL DISCHARGES COVERED BY THE PLAN SHALL BE COMPOSED ENTIRELY OF STORM WATER.
- THE FOLLOWING NON-STORM WATER DISCHARGES OCCURRING AT THIS SITE MAY BE PERMISSIBLE, PROVIDING THE IMPLEMENTATION OF APPROPRIATE POLLUTION PREVENTION MEASURES HAS BEEN TAKEN:
  - DISCHARGES FROM FIRE FIGHTING AND FIRE HYDRANT DISCHARGES.
  - WATER USED TO WASH VEHICLES OR CONTROL DUST.
  - POTABLE WATER SOURCES INCLUDING WATERLINE FLUSHING.
  - IRRIGATION DRAINAGE.
  - ROUTINE EXTERNAL BUILDING WASH DOWN WHICH DOES NOT USE DETERGENTS; PAVEMENT WASH WATERS WHERE SPILLS OR LEAKS OF HAZARDOUS MATERIALS (INCLUDING OILS AND FUELS) HAVE NOT OCCURRED (UNLESS ALL SPILLED MATERIAL HAS BEEN REMOVED) AND WHERE DETERGENTS ARE NOT USED.
  - AIR CONDITIONING CONDENSATE.
  - SPRINGS, UNCONTAMINATED GROUND WATER, FOUNDATION OR FOOTING DRAINS WHERE FLOWS ARE NOT CONTAMINATED WITH PROCESS MATERIALS SUCH AS SOLVENTS.
- CONTRACTOR SHALL FILE NOTICE OF INTENT WITH THE STATE DIVISION OF WATER QUALITY PRIOR TO COMMENCING WORK ON THIS SITE.
- THE DISCHARGE OF HAZARDOUS SUBSTANCES OR OIL IN THE STORM WATER DISCHARGE(S) FROM THIS SITE SHALL BE PREVENTED OR MINIMIZED IN ACCORDANCE WITH THE SWPPP FOR THE SITE. THIS PLAN DOES NOT RELIEVE THE PERMITTEE OF THE REPORTING REQUIREMENTS OF 40 CFR PART 117, 40 CFR 110, AND 40CFR PART 302. WHERE A RELEASE CONTAINING A HAZARDOUS SUBSTANCE IN AN AMOUNT EQUAL TO OR IN EXCESS OF A REPORTABLE QUANTITY ESTABLISHED UNDER EITHER 40 CFR 117, 40 CFR 110, OR 40 CFR 302, OCCURS DURING A 24-HOUR PERIOD:
  - NOTIFY THE NATIONAL RESPONSE CENTER (NRC) 800-424-8802.
  - NOTIFY THE DIVISION OF WATER QUALITY (DWQ) 801-538-6146 (OR THE DWQ ANSWERING SERVICE AT 801-536-4123).
  - NOTIFY HUNTSVILLE CITY.
- WITHIN 14 CALENDAR DAYS OF KNOWLEDGE OF THE RELEASE, THE PERMITTEE SHALL FILE A WRITTEN DESCRIPTION, THE DATE OF RELEASE, THE CIRCUMSTANCES LEADING TO THE RELEASE, THE MEASURES TAKEN OR PLANS TO CLEANUP THE RELEASE, AND STEPS TO BE TAKEN TO MINIMIZE THE CHANCE OF FUTURE OCCURRENCES.
- WITHIN 14 CALENDAR DAYS OF KNOWLEDGE OF THE RELEASE, THIS PLAN MUST BE REVIEWED TO IDENTIFY MEASURES TO PREVENT THE REOCCURRENCE OF SUCH RELEASES, AND TO RESPOND TO SUCH RELEASES, AND THE PLAN MUST BE MODIFIED WHERE APPROPRIATE.

### STORM WATER POLLUTION PREVENTION PLAN

- THIS PLAN SHALL BE RETAINED ON-SITE AT THE FACILITY. IF THE SITE IS INACTIVE OR DOES NOT HAVE AN ON-SITE LOCATION ADEQUATE TO STORE THE SWPPP, THE LOCATION OF THE PLAN, ALONG WITH A CONTACT PHONE NUMBER SHALL BE POSTED ON SITE. REASONABLE LOCAL ACCESS TO THE PLAN, DURING NORMAL WORKING HOURS, MUST BE PROVIDED.
- SITE DESCRIPTION:
  - CONSTRUCTION ACTIVITY: CONSTRUCTION OF GRAVEL ROAD, UTILITIES AND OTHER APPURTENANCES.
  - SEQUENCE OF MAJOR ACTIVITIES: SITE PREPARATION AND DEMOLITION, GRADING, AND CONSTRUCTION OF UTILITIES AND GRAVEL ROAD.
  - TOTAL AREA OF SITE: 1,369.30 ACRES. AREA DISTURBED: 0.60 ACRES.
  - PRE CONSTRUCTION RUNOFF COEFFICIENT (DISTURBED AREA): 0.20 - MEANING THAT 0.00% OF THE SITE IS COVERED BY IMPERVIOUS SURFACES SUCH AS ASPHALT, CONCRETE OR BUILDING ROOFTOP AND 100.00% OF THE SITE IS COVERED WITH PERVIOUS SURFACES SUCH AS LANDSCAPING.
  - POST CONSTRUCTION RUNOFF COEFFICIENT (DISTURBED AREA): 0.20 - MEANING THAT 0.00% OF THE SITE WILL BE COVERED BY IMPERVIOUS SURFACES SUCH AS ASPHALT, CONCRETE OR BUILDING ROOFTOP AND 100.00% OF THE SITE WILL BE COVERED WITH PERVIOUS SURFACES SUCH AS LANDSCAPING.
  - EXISTING SOIL: REFER TO GEOTECHNICAL REPORT
  - SITE LOCATION: 3925 SNOWBASIN ROAD HUNTSVILLE, UT 84317
  - DISCHARGES OTHER THAN FROM CONSTRUCTION: NONE
  - RECEIVING WATER: EXISTING DRAINAGE PATH
- EROSION AND SEDIMENT CONTROLS:
  - THE CONSTRUCTION PHASE EROSION AND SEDIMENT CONTROLS SHOULD INSTALLED TO RETAIN SEDIMENT ON SITE TO THE MAXIMUM EXTENT POSSIBLE.
  - ALL CONTROL MEASURES MUST BE PROPERLY SELECTED, INSTALLED AND MAINTAINED IN ACCORDANCE WITH THE MANUFACTURER'S SPECIFICATIONS AND GOOD ENGINEERING PRACTICES. IF PERIODIC INSPECTIONS OR OTHER INFORMATION INDICATES A CONTROL HAS BEEN USED INAPPROPRIATELY, OR INCORRECTLY, THE PERMITTEE MUST REPLACE OR MODIFY THE CONTROL FOR SITE SITUATIONS.
  - IF SEDIMENT ESCAPES THE CONSTRUCTION SITE, OFF-SITE ACCUMULATIONS OF SEDIMENT MUST BE REMOVED IMMEDIATELY TO MINIMIZE OFF-SITE IMPACTS (E.G. FUGITIVE SEDIMENT IN STREET COULD BE WASHED INTO STORM SEWERS BY THE NEXT RAIN AND/OR POSE SAFETY HAZARD TO USERS OF PUBLIC STREETS).
  - SEDIMENT TRAPS SHALL BE PLACED AROUND ALL STORM WATER INLETS AS SHOWN ON THE PLAN. ALLOW ONLY CLEAN STORM WATER TO ENTER THE INLETS. SILT FENCES SHALL BE PLACED ALONG PROPERTY LINES WHERE SHOWN ON THE PLAN. ROCK MUD TRAPS AT CONSTRUCTION ENTRANCES TO THE SITE TO PREVENT OFF-SITE TRACKING SHALL BE INSTALLED WHERE SHOWN AND AT ALL CONSTRUCTION ENTRANCES TO THE SITE.
  - SEDIMENT MUST BE REMOVED FROM SEDIMENT TRAPS, SILT FENCES, OR SEDIMENTATION PONDS WHEN DESIGN CAPACITY HAS BEEN REDUCED BY 50%.
  - LITTER, CONSTRUCTION DEBRIS, AND CONSTRUCTION CHEMICALS EXPOSED TO STORM WATER SHALL BE PICKED UP PRIOR TO ANTICIPATED STORM EVENTS (E.G. FORECASTED BY LOCAL WEATHER REPORTS), OR OTHERWISE PREVENTED FROM BECOMING A POLLUTANT SOURCE FOR STORM WATER DISCHARGES (E.G. SCREENING OUTFALLS, PICKED UP DAILY, ETC.).
  - OFFSITE MATERIAL STORAGE AREAS (ALSO INCLUDING OVERBURDEN AND STOCKPILES OF DIRT, ETC.) USED SOLELY BY THE PERMITTED PROJECT ARE CONSIDERED A PART OF THE PROJECT.
- OTHER CONTROLS:
  - WASTE DISPOSAL - NO SOLID MATERIALS, INCLUDING BUILDING MATERIALS, SHALL BE DISCHARGED TO WATERS OF THE STATE, EXCEPT AS AUTHORIZED BY A CWA SECTION 404 PERMIT.
  - OFF-SITE TRACKING - OFF-SITE VEHICLE TRACKING OF SEDIMENTS AND THE GENERATION OF DUST SHALL BE MINIMIZED.
  - SEPTIC, WASTE AND SANITARY SEWER DISPOSAL - COMPLY WITH STATE AND/OR LOCAL WASTE DISPOSAL. SANITARY SEWER OR SEPTIC SYSTEM REGULATIONS. PROVIDE PORTABLE TOILETS THAT ARE SERVICED WEEKLY AND PUMPED CLEAN BY A WASTE DISPOSAL COMPANY. NO TOXIC OR HAZARDOUS WASTE SHALL BE DISPOSED OF IN PORTABLE TOILETS OR ON-SITE SANITARY SEWER.
  - ON SITE STORAGE - PERFORM REGULAR INVENTORIES OF CONSTRUCTION MATERIALS STORED ON-SITE (INCLUDING WASTE MATERIALS). PRACTICE STORAGE PROCEDURES TO MINIMIZE EXPOSURE OF THE MATERIALS TO STORM WATER. PROVIDE COVERED DISPOSAL CONTAINERS IN CONVENIENT LOCATIONS ON THE SITE. PROVIDE FOR WEEKLY (MORE OFTEN IF REQUIRED) WASTE DISPOSAL.
- OTHER LAWS AND REQUIREMENTS:
  - COMPLY WITH LOCAL STORM WATER CONTROL REQUIREMENTS.
  - COMPLY WITH FEDERAL OR STATE LAWS PERTAINING TO THREATENED OR ENDANGERED SPECIES OR HISTORIC PROPERTIES.
  - DISCHARGERS SEEKING VARIANCE TO PERMIT REQUIREMENTS SHALL SUBMIT AN INDIVIDUAL PERMIT APPLICATION ALONG WITH A DESCRIPTION OF WHY REQUIREMENTS IN APPROVED STATE OR LOCAL PLANS OR PERMITS SHOULD NOT BE APPLICABLE AS A CONDITION OF A UPDES PERMIT.
- MAINTENANCE:
  - THE CONTROLS AND MEASURES INDICATED ON THE PLAN SHALL BE MAINTAINED IN GOOD AND EFFECTIVE OPERATING CONDITION.
  - MAINTENANCE NEEDS IDENTIFIED IN INSPECTION OR BY OTHER MEANS SHALL BE ACCOMPLISHED BEFORE THE NEXT

ANTICIPATED STORM EVENT, OR AS NECESSARY TO MAINTAIN THE CONTINUED EFFECTIVENESS OF STORM WATER CONTROLS.

- IF MAINTENANCE PRIOR TO THE NEXT ANTICIPATED STORM EVENT IS IMPRACTICABLE, MAINTENANCE MUST BE SCHEDULED AND ACCOMPLISHED AS SOON AS PRACTICABLE.
- INSPECTIONS:
  - INSPECT DISTURBED AREAS OF THE CONSTRUCTION SITE THAT HAVE NOT BEEN FINALLY STABILIZED, AREAS DISTURBED FOR THE STORAGE OF MATERIALS THAT ARE EXPOSED TO PRECIPITATION, STRUCTURAL CONTROL MEASURES AND LOCATIONS WHERE VEHICLES ENTER OR EXIT THE SITE:
    - AT LEAST ONCE EVERY 14 CALENDAR DAYS.
    - BEFORE ANTICIPATED STORM EVENTS.
    - WITHIN 24 HOURS OF THE END OF A STORM THAT IS 0.5 INCHES OR GREATER OF PRECIPITATION.
  - WHERE THE SITE HAS BEEN FINALLY OR TEMPORARILY STABILIZED, OR RUNOFF IS UNLIKELY DUE TO WINTER CONDITIONS (E.G. SITE COVERED WITH SNOW, ICE, OR FROZEN GROUND), INSPECTIONS SHALL BE CONDUCTED AT LEAST ONCE EVERY MONTH.
  - POINTS, AREAS, B.M.P.S, AND ACTIVITIES TO BE INSPECTED:
    - DISTURBED AREAS USED FOR STORAGE OF MATERIALS THAT ARE EXPOSED TO PRECIPITATION SHALL BE INSPECTED FOR EVIDENCE OF, OR THE POTENTIAL FOR, POLLUTANTS ENTERING THE DRAINAGE SYSTEM.
    - EROSION AND SEDIMENT CONTROL MEASURES SHALL BE OBSERVED TO ENSURE THEY ARE OPERATING CORRECTLY.
    - ACCESSIBLE DISCHARGE LOCATIONS OR POINTS SHALL BE INSPECTED TO ASCERTAIN WHETHER EROSION CONTROL MEASURES ARE EFFECTIVE IN PREVENTING SIGNIFICANT IMPACTS TO RECEIVING WATERS.
    - LOCATIONS WHERE VEHICLES ENTER OR EXIT THE SITE SHALL BE INSPECTED FOR EVIDENCE OF OFFSITE SEDIMENT TRACKING.
- INSPECTION INDUCED PLAN REVISIONS:

BASED ON THE RESULTS OF THE INSPECTION, THIS PLAN SHALL BE REVISED AS APPROPRIATE WITHIN 7 CALENDAR DAYS FOLLOWING THE INSPECTION.
- INSPECTION REPORT:
  - PREPARE AN INSPECTION REPORT FOR EACH INSPECTION. IT SHALL CONTAIN:
    - THE SCOPE OF THE INSPECTION
    - NAME(S) AND QUALIFICATIONS OF PERSONNEL MAKING THE INSPECTION.
    - THE DATE OF THE INSPECTION.
    - MAJOR OBSERVATIONS RELATING TO THE IMPLEMENTATION OF THE SWPPP.
      - LOCATIONS OF DISCHARGES OF SEDIMENT OR OTHER POLLUTANTS FROM THE SITE.
      - CONTROL DEVICES THAT FAILED TO OPERATE OR PROVED INADEQUATE FOR A PARTICULAR LOCATION.
      - ACTIONS TAKEN.
  - REPORTS SHALL BE RETAINED AS PART OF THE SWPPP FOR AT LEAST THREE YEARS FROM THE DATE THAT THE SITE IS FINALLY STABILIZED.
  - REPORTS SHALL IDENTIFY ANY INCIDENTS OF NON-COMPLIANCE.
  - WHEN A REPORT DOES NOT IDENTIFY ANY INCIDENTS OF NON-COMPLIANCE, THE REPORT SHALL CONTAIN A CERTIFICATION THAT THE FACILITY IS IN COMPLIANCE WITH THE SWPPP AND THE PERMIT.
  - THE REPORT SHALL BE SIGNED IN ACCORDANCE WITH THE PERMIT CERTIFICATION (THAT IS THE SAME AS THE CERTIFICATION SIGNED BY THE ENGINEER ON THIS SHEET).
- ACCESSIBILITY:

THE PERMITTEE SHALL RETAIN A COPY OF THE SWPPP AT THE CONSTRUCTION SITE (OR OTHER LOCATION ACCESSIBLE THE PUBLIC) FROM THE DATE OF PROJECT INITIATION TO THE DATE OF FINAL STABILIZATION. THE PERMITTEES WITH DAY TO DAY OPERATIONAL CONTROL OVER THE SWPPP IMPLEMENTATION SHALL HAVE A COPY OF THE PLAN AVAILABLE AT A CENTRAL LOCATION ONSITE FOR THE USE OF ALL OPERATORS AND THOSE IDENTIFIED AS HAVING RESPONSIBILITIES UNDER THE PLAN WHENEVER THEY ARE ON THE CONSTRUCTION SITE.
- FINAL STABILIZATION:
  - MEANS THAT ALL SOIL DISTURBING ACTIVITIES AT THE SITE HAVE BEEN COMPLETED.
  - AFTER CONSTRUCTION HAS BEEN COMPLETED, PAVED AREAS OF THE SITE SHALL BE SWEEPED CLEAN, STORM WATER INLETS AND PIPE SHALL BE CLEANED. ALL WASTE INCLUDING STORM WATER CONTROL MEASURES SHALL BE REMOVED FROM THE SITE.
  - PERENNIAL VEGETATIVE COVER WITH A DENSITY OF 70% OF THE NATIVE BACKGROUND VEGETATIVE COVER FOR THE AREA HAS BEEN ESTABLISHED ON ALL UNPAVED AREAS, OR EQUIVALENT PERMANENT STABILIZATION MEASURES (SUCH AS THE USE OF RIP RAP, GABIONS, OR GEOTEXTILES) HAVE BEEN EMPLOYED.
  - LANDSCAPING SHALL NOT BE OVER WATERED SO THAT SOIL EROSION OCCURS.
  - WHEN ALL CONSTRUCTION ACTIVITY ON THE SITE HAS BEEN COMPLETED, THE CONTRACTOR SHALL FILE A NOTICE OF TERMINATION WITH THE STATE DEQ DIVISION OF WATER QUALITY.

NO.	DATE	REVISIONS

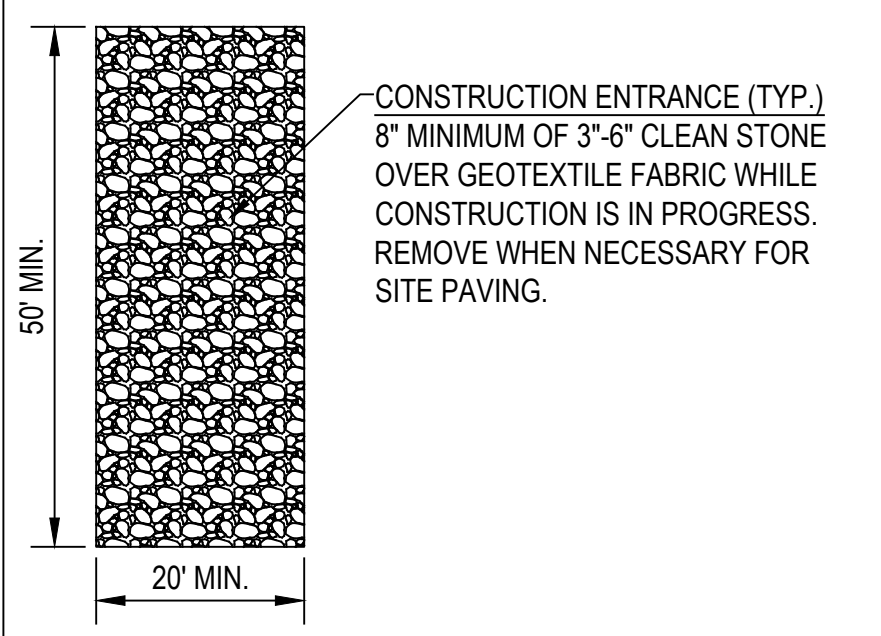
PRINCIPAL: D. EYRE, PE
PROJECT MANAGER: G. NELSON, PE
DRAWN BY: D. EYRE, PE
CHECKED BY: K. BAILEY
DRAWING SCALE: NONE
ISSUE DATE: SEPTEMBER 24, 2021

IF THE ABOVE SCALE BAR DOES NOT MEASURE 1-INCH IN LENGTH, DO NOT USE THIS DRAWING FOR SCALING PURPOSES. DIMENSIONS AND MEASUREMENTS SPECIFIED IN THE DRAWING TAKE PRECEDENCE TO SCALED MEASUREMENTS.

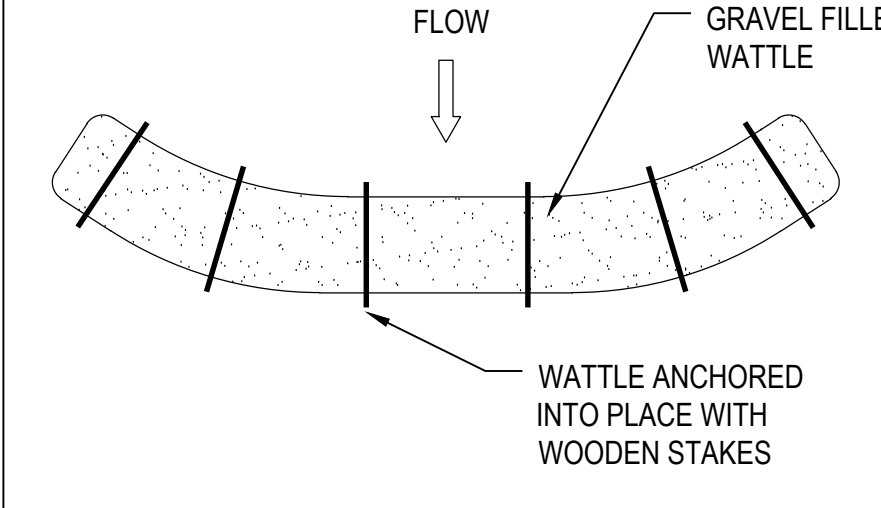
THE INFORMATION CONTAINED IN THIS DRAWING IS THE PROPERTY OF CRS ENGINEERS AND IS NOT TO BE REPRODUCED, MODIFIED OR USED FOR ANY OTHER PROJECT OR EXTENSION OF THIS PROJECT EXCEPT BY AGREEMENT WITH CRS ENGINEERS.

PROJECT NUMBER: 2021-0176
SHEET OF: 10 OF 10
SHEET NUMBER: <b>CE201</b>

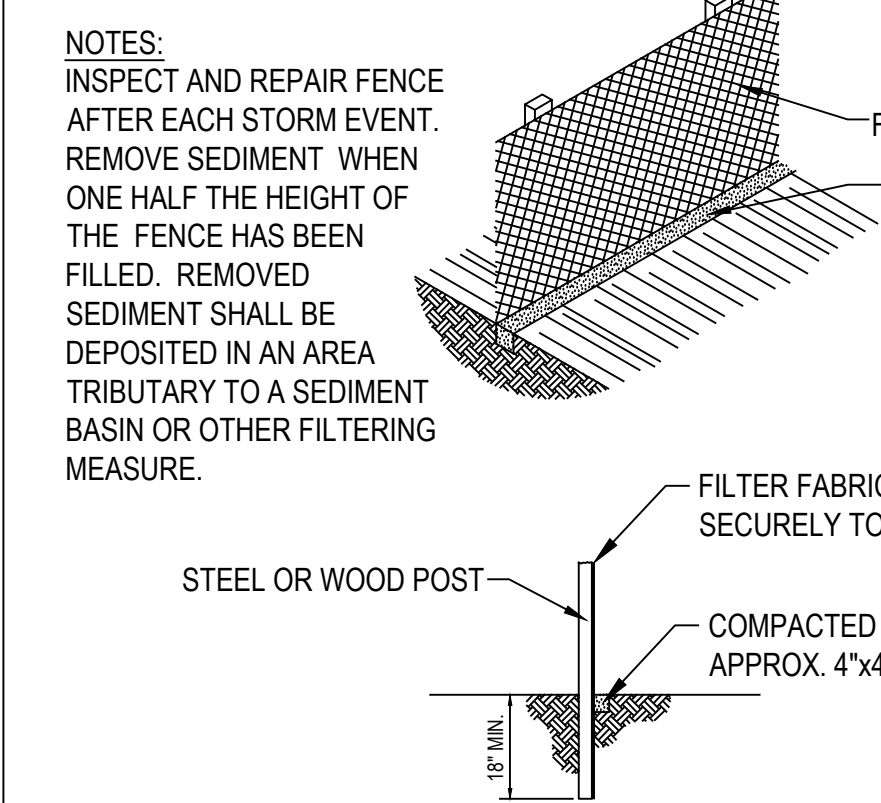
**CRS ENGINEERS**  
Answers to Infrastructure®  
4246 S Riverboat Rd, Ste 200 | Salt Lake City, UT 84123 | P: 801.359.5565 | www.crsengineers.com



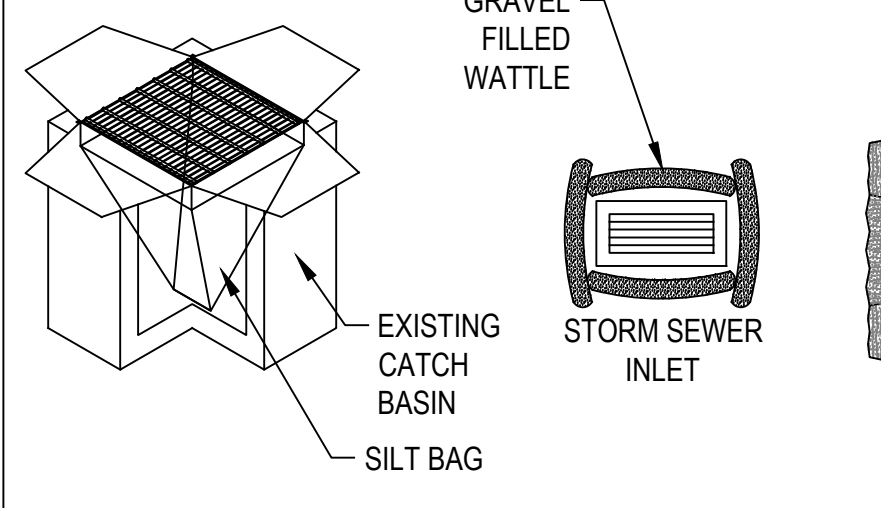
**1 TEMPORARY CONSTRUCTION EXIT**  
SCALE: NONE



**2 GRAVEL FILLED WATTLE**  
SCALE: NONE

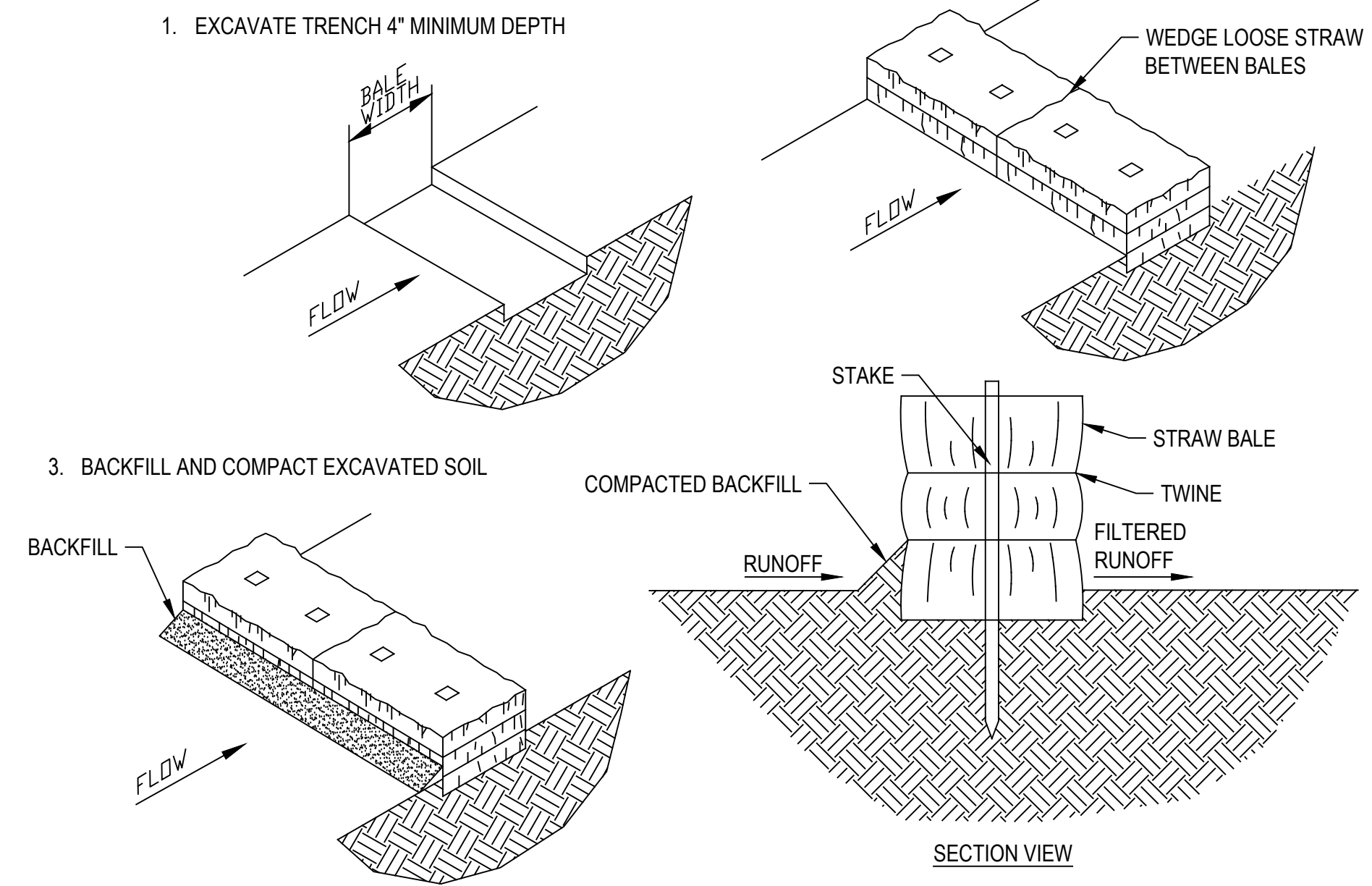


**3 TEMPORARY SILT FENCE**  
SCALE: NONE

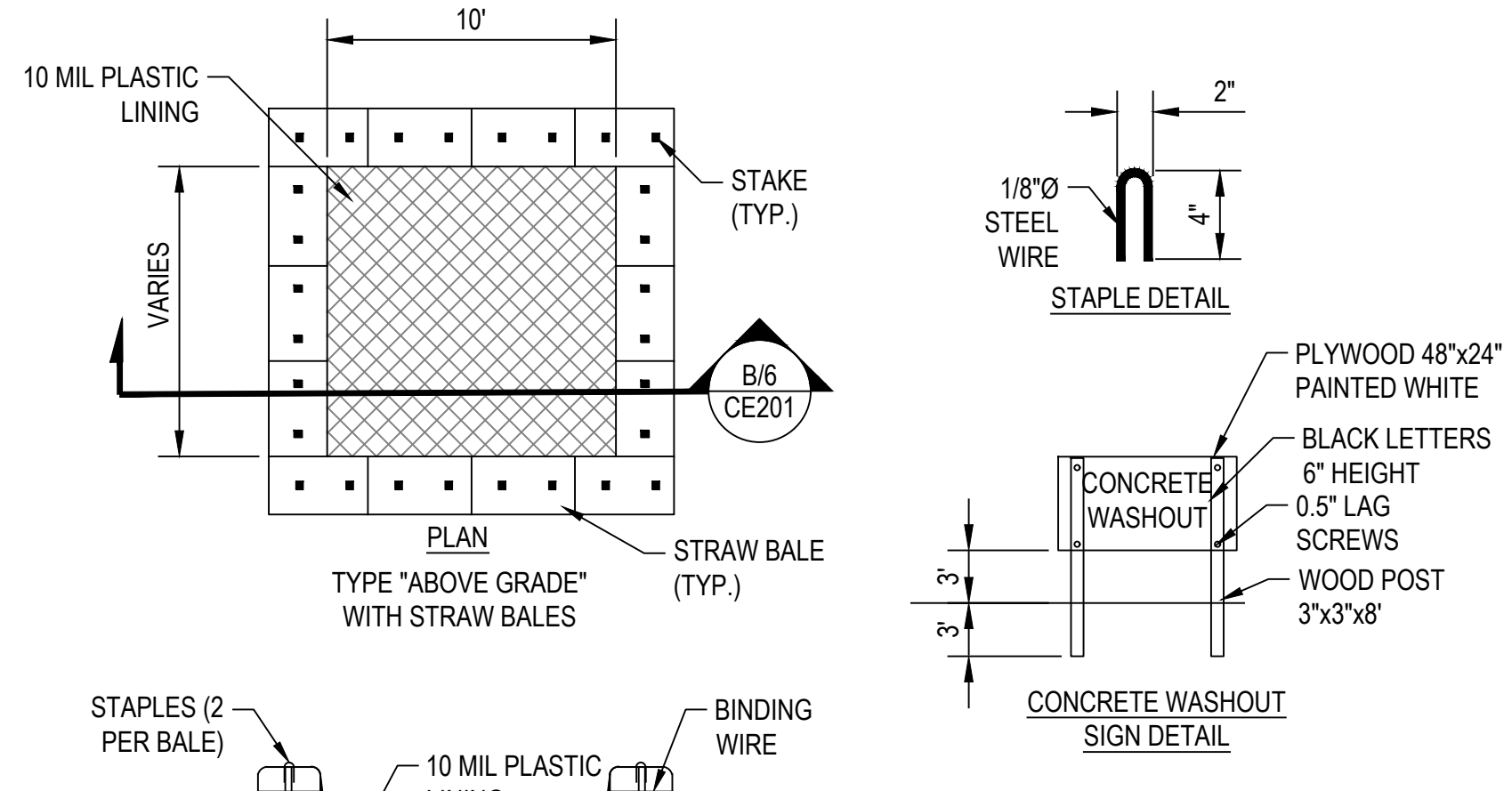


**4 TEMPORARY INLET BARRIER**  
SCALE: NONE

### INSTALLATION SEQUENCE



**5 STRAW BALE DIKE GENERAL INSTALLATION**  
SCALE: NONE



**6 CONCRETE WASHOUT**  
SCALE: NONE

**NOTES:**  
1. ACTUAL LAYOUT DETERMINED IN FIELD.  
2. THE CONCRETE WASHOUT SIGN SHALL BE INSTALLED WITHIN 30' OF THE TEMPORARY CONCRETE WASHOUT FACILITY.

**PRELIMINARY**  
NOT FOR CONSTRUCTION  
90%

File Path: \\2021-0176 snowbasin-glamping concept design\Drawings\SHEET\SC101.dwg Sep 24, 2021 - 2:26pm

NO.	DATE	REVISIONS

PRINCIPAL: D. EYRE, PE
PROJECT MANAGER: G. NELSON, PE
DRAWN BY: D. EYRE, PE
CHECKED BY: K. BAILEY
DRAWING SCALE: NONE
ISSUE DATE: SEPTEMBER 24, 2021

IF THE ABOVE SCALE BAR DOES NOT MEASURE 1-INCH IN LENGTH, DO NOT USE THIS DRAWING FOR SCALING PURPOSES. DIMENSIONS AND MEASUREMENTS SPECIFIED IN THE DRAWING TAKE PRECEDENCE TO SCALED MEASUREMENTS.

THE INFORMATION CONTAINED IN THIS DRAWING IS THE PROPERTY OF CRS ENGINEERS AND IS NOT TO BE REPRODUCED, MODIFIED OR USED FOR ANY OTHER PROJECT OR EXTENSION OF THIS PROJECT EXCEPT BY AGREEMENT WITH CRS ENGINEERS.

**CRS ENGINEERS**  
Answers to Infrastructure®  
4246 S Riverboat Rd, Ste 200 | Salt Lake City, UT 84123 | P: 801.359.5565 | www.crsengineers.com

SNOWBASIN RESORT  
SNOWBASIN GLAMPING DESIGN  
SWPP DETAILS

3925 SNOWBASIN ROAD  
HUNTSVILLE, UT 84317

PROJECT NUMBER: 2021-0176
SHEET OF: 10 OF 10
SHEET NUMBER: <b>CE201</b>