

Average Lot Size Table					
Lot #	Square Footage	Acres	Lot #	Square Footage	
L1	42,494 S.F.	0.976 AC.	L16	40,809 S.F.	0.937 AC.
L2	45,105 S.F.	1.035 AC.	L17	40,809 S.F.	0.937 AC.
L3	40,887 S.F.	0.939 AC.	L18	40,915 S.F.	0.939 AC.
L4	40,757 S.F.	0.936 AC.	L19	40,476 S.F.	0.929 AC.
L5	40,910 S.F.	0.939 AC.	L20	36,586 S.F.	0.840 AC.
L6	49,524 S.F.	1.137 AC.	L21	40,945 S.F.	0.940 AC.
L7	50,480 S.F.	1.159 AC.	L22	41,946 S.F.	0.963 AC.
L8	40,809 S.F.	0.937 AC.	L23	50,787 S.F.	1.166 AC.
L9	40,809 S.F.	0.937 AC.	L24	60,641 S.F.	1.392 AC.
L10	40,520 S.F.	0.930 AC.	L25	62,187 S.F.	1.428 AC.
L11	40,552 S.F.	0.931 AC.	L26	36,446 S.F.	0.837 AC.
L12	40,881 S.F.	0.938 AC.	L27	36,654 S.F.	0.842 AC.
L13	39,249 S.F.	0.901 AC.	TOTAL:	1,163,593 S.F.	26.74 AC.
L14	40,703 S.F.	0.934 AC.	AVG:	43,096 S.F.	.989 AC.

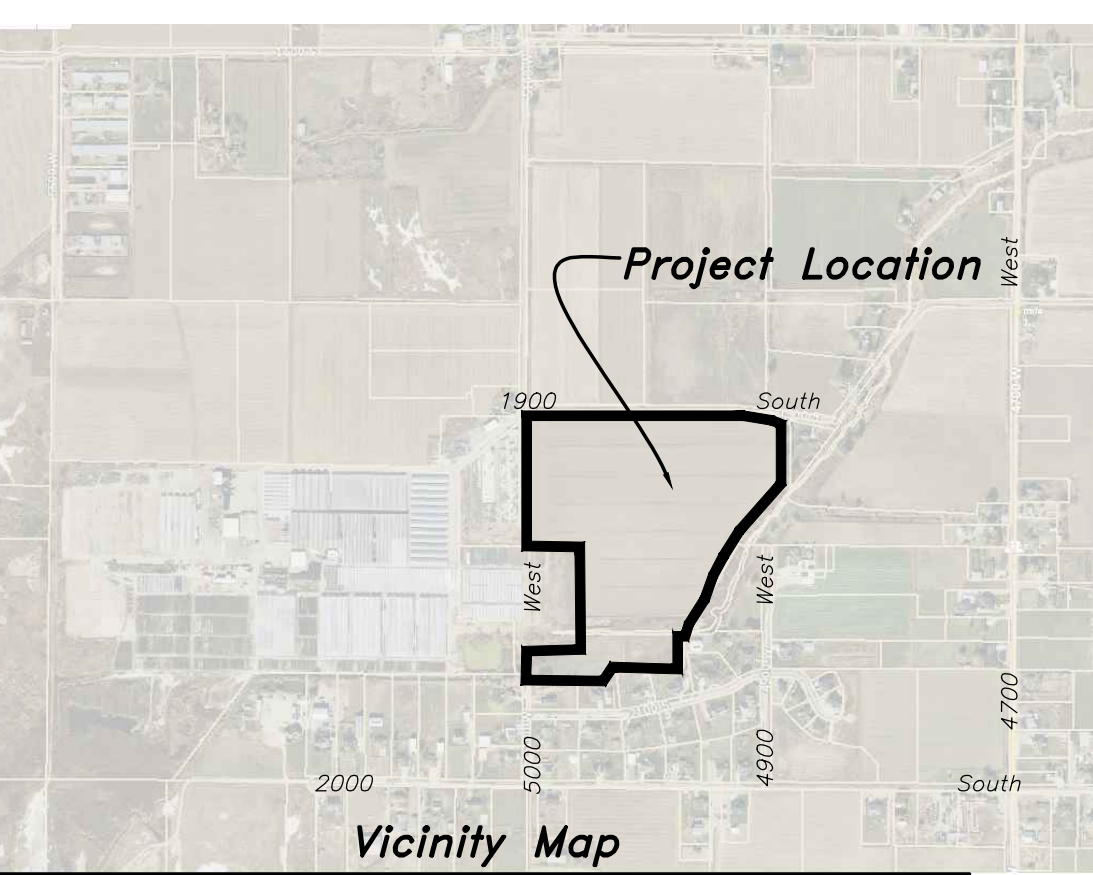
NOTES:
 PLAT NOTES:
 1 - ALL PUBLIC UTILITY EASEMENTS (PUE) ARE 10' WIDE UNLESS OTHERWISE NOTED.
 2 - PARCEL "A" IS FOR A DETENTION BASIN.
 3 - PARCEL "B" IS TO BE DEEDED TO LOT 10, HOLGATE SUBDIVISION.
 4 - PARCEL "C" IS TO BE DEEDED TO LOT 9, HOLGATE SUBDIVISION.
 5 - REBAR AND CAP SET ON ALL BACK LOT CORNERS WITH CURB NAILS SET IN TOP BACK OF CURB AND GUTTER ON ALL SIDE YARD PROJECTIONS.

WEBER COUNTY ENGINEER
 I Herby Certify that the Required Public Improvement Standards and Drawings for this Subdivision Conform with the County Standards and the Amount of the Financial Guarantee is Sufficient for the Installation of these Improvements.
 Signed this _____ Day of _____, 2021.

 Weber County Engineer

WEBER COUNTY PLANNING COMMISSION APPROVAL
 This is to Certify that this Subdivision Plat was Duly Approved by the Weber County Planning Commission.
 Signed this _____ Day of _____, 2021.

 Chairman, Weber County Planning Commission

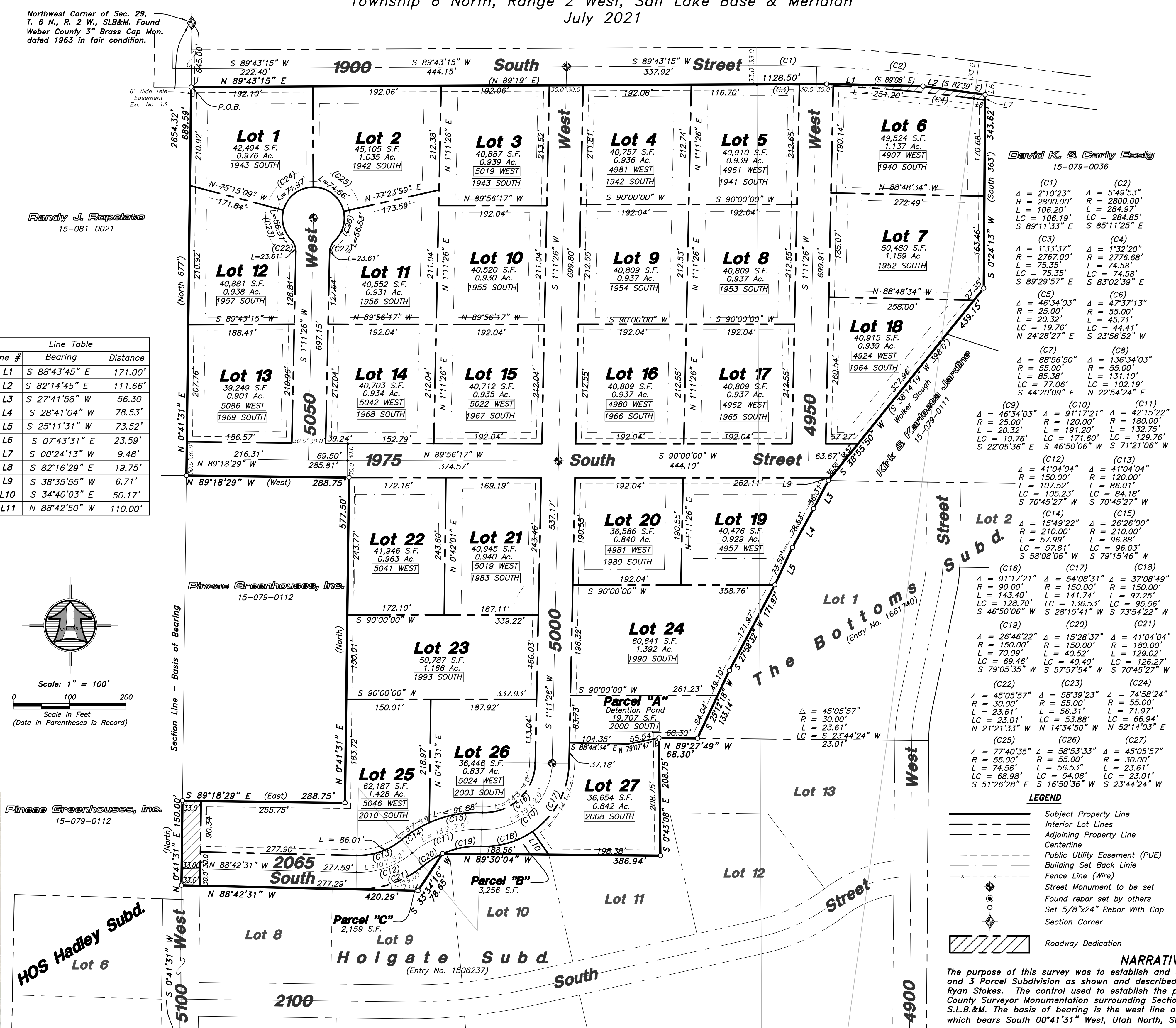


Developer:
 Ryan Stokes
 Pary City, Utah 84302
 801-730-4334

HANSEN & ASSOCIATES, INC.
 Consulting Engineers and Land Surveyors
 538 North Main Street, Brigham, Utah 84302
 Visit us at www.haies.net
 Brigham City Ogdan Logan
 (435) 723-3491 (801) 399-4905 (435) 752-8272
 Celebrating over 60 Years of Business

Saddlewood Estates

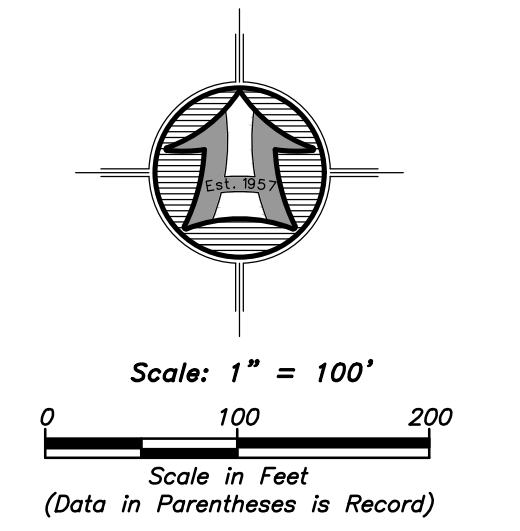
Weber County, Utah
 A Part of the Northwest Quarter of Section 29,
 Township 6 North, Range 2 West, Salt Lake Base & Meridian
 July 2021



Northwest Corner of Sec. 29,
 T. 6 N., R. 2 W., SLB&M. Found
 Weber County 3" Brass Cap Mon.
 dated 1963 in fair condition.

Randy J. Repelato
 15-081-0021

Line #	Bearing	Distance
L1	S 88°43'45" E	171.00'
L2	S 82°14'45" E	111.66'
L3	S 27°41'58" W	56.30'
L4	S 28°41'04" W	78.53'
L5	S 25°11'31" W	73.52'
L6	S 07°43'31" E	23.59'
L7	S 00°24'13" W	9.48'
L8	S 82°16'29" E	19.75'
L9	S 38°35'55" W	6.71'
L10	S 34°40'03" E	50.17'
L11	N 88°42'50" W	110.00'



Pineae Greenhouses, Inc.
 15-079-0112

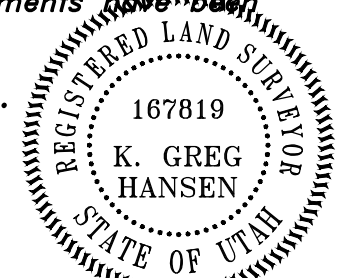
HOS Hadley Subd.
 Lot 6

West Quarter Corner of Sec. 29,
 T. 6 N., R. 2 W., SLB&M. Found
 Weber County 3" Brass Cap Mon.
 dated 1980 in fair condition.

SURVEYOR'S CERTIFICATE
 I, K. Greg Hansen, do hereby certify that I am a Registered Professional Land Surveyor in the State of Utah in accordance with Title 58, Chapter 22, Professional Engineers and Professional Land Surveyors Act; and I have completed a survey of the property described on this plat in accordance with Section 17-23-17 and have verified all measurements, and have placed monuments as represented on this plat, and have hereby subdivided said tract into twenty seven (27) Lots and Parcel "A", Parcel "B" and Parcel "C", known hereafter as Saddlewood Estates in Weber County, Utah, and has been correctly drawn to the designated scale and is true and correct representation of the herein described lands included in said Subdivision, based upon data compiled from records in the Weber County Recorder's Office and from said survey made by me or under my supervision on the ground. I further hereby certify that the requirements of all applicable statutes and ordinances of Weber County Concerning Zoning Requirements regarding Lot measurements have been complied with.

Signed this _____ day of _____, 2021.

K. Greg Hansen P.L.S.
 Utah Land Surveyor License No. 167819



BOUNDARY DESCRIPTION
 A PART OF THE NORTHWEST QUARTER OF SECTION 29, TOWNSHIP 6 NORTH, RANGE 2 WEST OF THE SALT LAKE BASE AND MERIDIAN.

BEGINNING AT A POINT ON THE SOUTH RIGHT-OF-WAY LINE OF 1900 SOUTH STREET LOCATED 645.00 FEET SOUTH 00°41'31" WEST ALONG THE WEST LINE OF SAID NORTHWEST QUARTER FROM THE NORTHWEST CORNER OF SAID SECTION 29;

RUNNING THENCE ALONG SAID SOUTH RIGHT-OF-WAY LINE THE FOLLOWING THREE (3) COURSES; (1) NORTH 89°43'15" EAST (SOUTH 89°19' EAST BY RECORD) 1128.50 FEET; (2) SOUTH 88°43'45" EAST (SOUTH 89°08' EAST BY RECORD) 171.00 FEET; AND (3) SOUTH 82°14'45" EAST (SOUTH 82°39' EAST BY RECORD) 111.66 FEET TO THE WEST BOUNDARY LINE OF THE DAVID K. ESSIS PROPERTY, TAX ID. NO. 15-079-0036; THENCE ALONG SAID WEST BOUNDARY LINE SOUTH 00°24'13" WEST 343.62 FEET (SOUTH 56.30' BY RECORD) TO THE WALKER SLOUGH; THENCE ALONG SAID WALKER SLOUGH SOUTH 38°55'50" WEST 439.15 FEET (SOUTH 38°14'19" WEST 398.0 FEET BY RECORD) TO THE NORTHWEST CORNER OF THE BOTTOMS SUBDIVISION, FILED AS ENTRY NO. 1661740 IN THE FILES OF THE WEBER COUNTY RECORDER; THENCE ALONG THE WEST BOUNDARY LINE OF SAID THE BOTTOMS SUBDIVISION THE FOLLOWING FIVE (5) COURSES; (1) SOUTH 27°41'58" WEST 56.30 FEET; (2) SOUTH 28°41'04" WEST 78.53 FEET; (3) SOUTH 25°11'31" WEST 73.52 FEET; (4) SOUTH 27°58'32" WEST 171.97 FEET; AND (5) SOUTH 25°12'18" WEST 133.14 FEET TO THE NORTH BOUNDARY LINE OF THE HOLGATE SUBDIVISION FILED AS ENTRY NO. 1506237 IN THE FILES OF THE WEBER COUNTY RECORDER; THENCE ALONG SAID BOUNDARY LINE THE FOLLOWING FIVE (5) COURSES; (1) NORTH 89°27'49" WEST 68.30 FEET; (2) SOUTH 00°43'08" EAST 208.75 FEET; (3) NORTH 89°30'04" WEST 386.94 FEET; (4) SOUTH 33°34'16" WEST 78.65 FEET; AND (5) NORTH 88°42'31" WEST 420.29 FEET TO THE WEST LINE OF SAID NORTHWEST QUARTER; THENCE ALONG SAID WEST LINE NORTH 00°41'31" EAST (NORTH BY RECORD) 150.00 FEET TO THE SOUTHWEST CORNER OF THE PINEAE GREENHOUSES, INC. PROPERTY, TAX ID. NO. 15-079-0112; THENCE ALONG SAID PINEAE GREENHOUSES, INC. PROPERTY THE FOLLOWING THREE (3) COURSES; (1) SOUTH 89°18'29" EAST (EAST BY RECORD) 288.75 FEET; (2) NORTH 00°41'31" EAST (NORTH BY RECORD) 577.50 FEET; AND (3) NORTH 89°18'29" WEST (WEST BY RECORD) 288.75 FEET TO THE WEST LINE OF SAID NORTHWEST QUARTER; THENCE ALONG SAID WEST LINE NORTH 00°41'31" EAST 689.59 FEET (NORTH 677 FEET BY RECORD) TO THE POINT OF BEGINNING. CONTAINING 33.19 ACRES.

OWNER'S DEDICATION AND CERTIFICATION
 We, The Undersigned Owners Of The Herein Described Tract Of Land, Do Herby Set Apart And Subdivide The Same Into Lots And Streets As Shown Hereon And Name Said Tract Saddlewood Estates, And Do Herby Dedicate To Public Use All Those Parts Or Portions Of Said Tract Of Land Designated As Streets, The Same To Be Used As Public Thoroughfares. We Also Herby Grant And Dedicate To Weber County The Public Utility Easements (Pue) As Shown Hereon For Public And Private Utilities, Including Provision For Drainage And Irrigation Purposes - The Same To Be Used For The Installation, Maintenance And Operation Of Public And Private Utility Lines And Appurtenances As May Be Authorized By Weber County And/Or The Lot Owners. No Buildings Or Structures Shall Be Erected Within The Public Utility Easements. We Herby Dedicate Parcel 'A' As Shown Hereon, As A Parcel For Storm Drainage Purposes, To Lot 27, Who Will Own In Fee Simple Parcel A And Be Responsible For It's Maintenance. We Further Dedicate A Storm Drainage Easement With Corresponding Access To Weber County Across Parcel A. We Herby Declare The Plat Notes As Shown Hereon To Be Effective And Binding.
 Signed this _____ day of _____, 2021.

SADDLEWOOD REAL ESTATE LLC BY SHANE BARTHLOME, REGISTERED AGENT
CORPORATE ACKNOWLEDGMENT
 STATE OF UTAH)
 COUNTY OF BOX ELDER)

On this _____ day of _____, 2021, personally appeared before me, Shane Barthlome, who being by me duly sworn did say and acknowledge that he is a registered agent of Saddlewood Real Estate LLC, a Utah Corporation, which Corporation is the Owner of the real property listed herein, and executed the foregoing instrument as the authorized agent of the Corporation, and that said authorization to sign on behalf of the Corporation came pursuant to a Resolution of the Board of Directors, the Articles of Incorporation, and/or the Corporate Bylaws.

WEBER COUNTY COMMISSION ACCEPTANCE
 This is to Certify that this Subdivision Plat, the Dedication of Streets and other Public Ways and Financial Guarantee of Public Improvements Associated with this Subdivision, Thereon are Herby Approved and Accepted by the Commissioners of Weber County Utah
 Signed this _____ Day of _____, 2021.

 Chairman, Weber County Commission

WEBER COUNTY SURVEYOR
 I Herby Certify that the Weber County Surveyor's Office has Reviewed this Plat and all conditions for approval by this office have been satisfied. The approval of this Plat by the Weber County Surveyor does not relieve the Licensed Land Surveyor who executed this plat from the responsibilities and/or liabilities associated therewith.
 Signed this _____ Day of _____, 2021.

 Weber County Surveyor

WEBER COUNTY ATTORNEY
 I Have Examined the Financial Guarantee and Other Documents Associated with this Subdivision Plat, and in my Opinion they Conform with the County Ordinance Applicable Thereto and now in Force and Affect
 Signed this _____ Day of _____, 2021.

 Weber County Attorney

WEBER-MORGAN HEALTH DEPARTMENT
 I Herby Certify that the Soils, Percolation Rates, and Site Conditions for this Subdivision have been Investigated by this Office and are Approved for On-Site Wastewater Disposal Systems.
 Signed this _____ Day of _____, 2021.

 Weber-Morgan Health Department

Notary Public

WEBER COUNTY RECORDER

ENTRY NO. _____ FEE PAID _____
 _____ FILED FOR RECORD AND
 RECORDED _____ IN BOOK _____ OF OFFICIAL
 RECORDS, PAGE _____ RECORDED
 FOR _____
 _____ COUNTY RECORDER
 BY: _____ DEPUTY