

# Story Farm Subdivision

Weber County, Utah

A Part of the Northwest Quarter of Section 28,  
Township 7 North, Range 1 East, S.L.B.&M.  
August 2013

Northwest Corner of Sec. 28,  
T. 7 N., R. 1 E., SLB&M Fnd  
Weber Co. Brass Cap Mon.  
1981 Good Condition.

North Quarter Corner of Sec. 28,  
T. 7 N., R. 1 E., SLB&M Fnd  
Weber Co. Brass Cap Mon.  
1976 Good Condition.

- ① How was it established?  
Q DATA
- ② SHOW ALL EXPLORATION HOLES w/ID#s
- ③ SHOW 3 DIMENSIONAL ALL STRUCTURES AT OR WITHIN 30' OF BOUNDARY OR E.S.
- ④ INSERT AGRICULTURAL ZONE NOTE
- ⑤ INGRESS-EGRESS DOES NOT MATCH THE SAME EASEMENT DESC. FOR THE SPENCER FERRIN SUBD.
- ⑥ SHOW & LABEL THE WATER WAY RUNNING THROUGH THE MIDDLE OF THE PROPERTY. IS AN EASEMENT REQUIRED? SEE ENGINEERING.
- ⑦ GIVE TIES TO THE WELL HEAD

## Easement "A" Description

A part of the Northwest Quarter of Section 28, Township 7 North, Range 1 East of the Salt Lake Base and Meridian.  
Beginning at a point on the Northeastly Right-of-Way Line of State Highway 162 Located South 89°19'49" East 1406.32 Feet along the North line of said Northwest Quarter and South 00°00'00" East 2002.08 Feet from the Northwest Corner of said Northwest Quarter; Running Thence North 44°20'46" East 256.74 Feet; Thence North 02°44'05" East 215.50 Feet; Thence North 52°22'52" East 199.21 Feet; Thence South 49°45'45" East 30.69 Feet; Thence South 52°22'52" West 191.79 Feet; Thence South 02°44'05" West 213.02 Feet; Thence South 44°20'46" West 264.19 Feet to said Right-of-Way Line; Thence in a Northwesterly Direction to the left Along the Arc of a 2897.90 Foot Radius Curve, a Distance of 30.26 Feet, Chord Bears North 53°09'13" West 30.26 Feet, Having a Central Angle of 00°35'54" to the Point of Beginning.

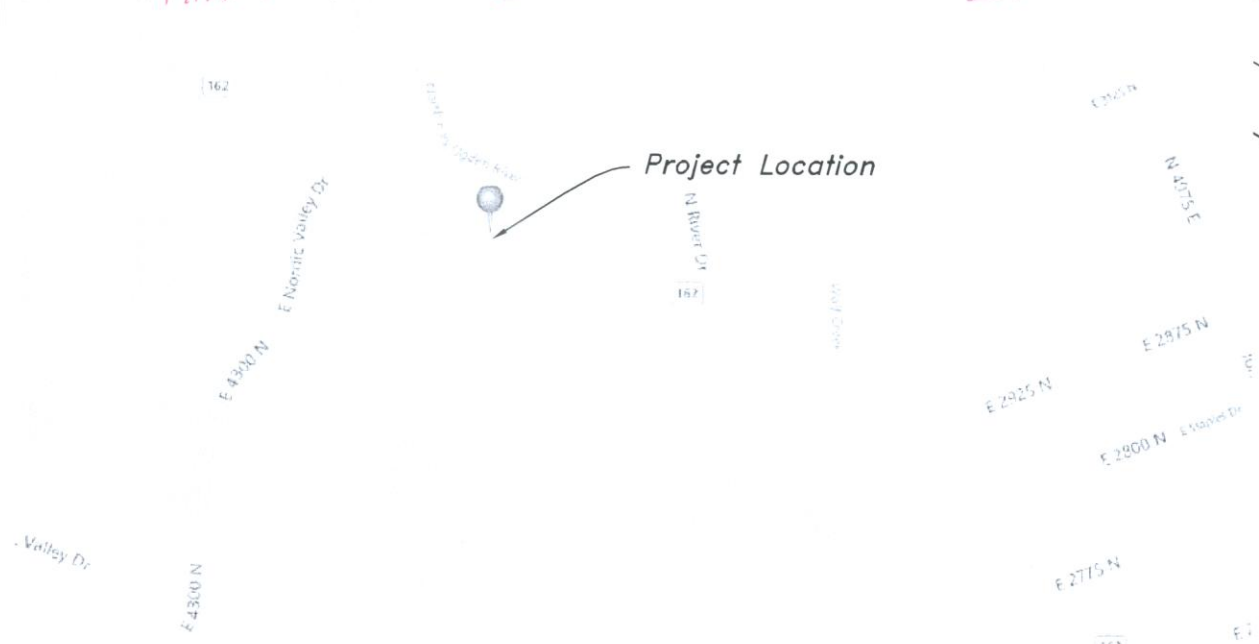
- Notes:**
- 1- The Vertical Datum is NGVD29
  - 2- The Sewer System will be septic
  - 3- Due to the topography and the location of this subdivision all owners will accept responsibility for any storm water runoff from the road adjacent to this property until curb and gutter is installed.

## NARRATIVE

The purpose of this survey was to establish and set the property corners of the parcels as shown and described hereon creating a two (2) lot subdivision. The survey was ordered by Chuck Story. The control used to establish the property corners was the existing Weber County Survey Monumentation surrounding Section 28, T7N, R1E, SLB&M. The basis of bearing is the North line of the Northwest Quarter of said Section which bears South 89°19'49" East, Utah North, State Plane, Calculated N.A.D.83 Bearing.

## Vicinity Map

⑧ GREGG BREWSTER STORRY HAS BEEN IN MY OFFICE SEVERAL TIMES TO GET THE RECORDS OF THE DISPUTE BETWEEN HE AND THE OWNERS OF THIS PARCEL. BECAUSE OF THE DISPUTE, I WILL NEED DOCUMENTATION (EITHER WRITTEN OR VERBAL FROM BREWSTER) THAT THE BOUNDARY SHOWN HEREON IS NO LONGER BEING DISPUTED. THANKS FOR ALL YOUR WORK ON THIS IS SO.



## WEBER COUNTY PLANNING COMMISSION APPROVAL

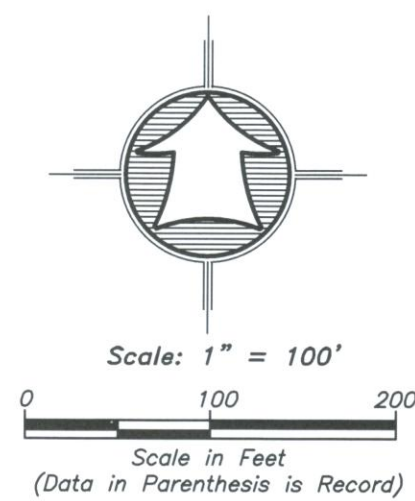
This is to Certify that this Subdivision Plat was Duly Approved by the Weber County Planning Commission.  
Signed this \_\_\_\_\_ Day of \_\_\_\_\_, 2013.

Chairman, Weber County Planning Commission

## WEBER COUNTY ENGINEER

I Herely Certify that the Required Public Improvement Standards and Drawings for this Subdivision Conform with the County Standards and the Amount of the Financial Guarantee is Sufficient for the Installation of these Improvements.  
Signed this \_\_\_\_\_ Day of \_\_\_\_\_, 2013.

Weber County Engineer



## WEBER COUNTY COMMISSION ACCEPTANCE

This is to Certify that this Subdivision Plat, the Dedication of Streets and other Public Ways and Financial Guarantee of Public Improvements Associated with this Subdivision, Thereon are Herely Approved and Accepted by the Commissioners of Weber County Utah  
Signed this \_\_\_\_\_ Day of \_\_\_\_\_, 2013.

Chairman, Weber County Commission

## WEBER COUNTY SURVEYOR

I Herely Certify that the Weber County Surveyor's Office has Reviewed this Plat for Mathematical Correctness, Section Corner Data, and for Harmony with the Lines and Monuments on Record in County Offices. The Approval of this Plat by the Weber County Surveyor does not Relieve the Licensed Land Surveyor who Executed this Plat from the Responsibilities and/or Liabilities Associated Therewith.  
Signed this \_\_\_\_\_ Day of \_\_\_\_\_, 2013.

Weber County Surveyor

## WEBER COUNTY ATTORNEY

I have examined the financial guarantee and other documents associated with this subdivision plat and in my opinion they conform with the County Ordinance applicable thereto and now in force and effect. Signed this \_\_\_\_\_ Day of \_\_\_\_\_, 2013.

Weber County Attorney

## WEBER-MORGAN HEALTH DEPARTMENT

I Herely Certify that the Soils, Percolation Rates, and Site Conditions for this Subdivision have been Investigated by this Office and are Approved for On-Site Wastewater Disposal Systems.  
Signed this \_\_\_\_\_ Day of \_\_\_\_\_, 2013.

Weber-Morgan Health Department

**HAI** HANSEN & ASSOCIATES, INC.  
Consulting Engineers and Land Surveyors  
538 North Main Street, Brigham, Utah 84302  
Visit us at www.haies.net  
Brigham City Ogden Logan  
(435) 723-3491 (801) 399-4905 (435) 752-8272 (801) 644-9246

Developer:  
Chuck Story  
3192 No. Hwy 162  
Eden, Utah 84310  
(801) 644-9246

## SURVEYOR'S CERTIFICATE

I, K. Greg Hansen, do Herely Certify that I am a Registered Professional Land Surveyor in the State of Utah in Accordance with Title 58, Chapter 22, Professional Engineers and Land Surveyors Act; and I have Completed a Survey of the Property Described on this Plat in Accordance with Section 17-23-17 and have Verified all Measurements, and have Placed Monuments as Represented on this Plat, and have Herely Subdivided said Tract into One (1) Lot, know Hereafter as Story Farm Subdivision in Weber County, Utah, and has been Correctly Drawn to the Designated Scale and is True and Correct Representation of the Herein Described Lands Included in said Subdivision, Based Upon Data Compiled from Records in the Weber County Recorder's Office and from said Survey made by me on the Ground. I Further Herely Certify that the Requirements of all Applicable Statutes and Ordinances of Weber County Concerning Zoning Requirements Regarding Lot Measurements have been Complied with.

Signed this \_\_\_\_\_ day of \_\_\_\_\_, 2013.

K Greg Hansen Utah Land Surveyor Licence No. 167819



## BOUNDARY DESCRIPTION

A part of the Northwest Quarter of Section 28, Township 7 North, Range 1 East of the Salt Lake Base and Meridian.  
Beginning at a point on the Northeastly Right-of-Way Line of State Highway 162 Located South 89°19'49" East 1406.32 Feet along the North line of said Northwest Quarter; Running Thence along said fence line the following two (2) courses: (1) North 44°20'46" East (North 45° East by record) 256.74 Feet; and (2) North 02°44'05" East (North 01°31' East by record) 215.50 Feet to the southwest corner of the Spencer Ferrin Subdivision; Thence South 49°45'45" East 932.43 Feet along the south boundary line of said Spencer Ferrin Subdivision to the West Boundary of the Brent Story Property, Entry No. 2044575 being an existing fence line; Thence along said West Boundary Line and fence line the following four (4) courses: (1) South 46°24'18" West (South 45° West by record) 265.13 Feet; (2) North 59°27'20" West 180.14 Feet; and (4) South 59°13'16" West 154.60 Feet to said Northeastly Right-of-Way Line of State Highway 162; Thence along said Northeastly Right-of-Way Line the following Two (2) Courses: (1) North 51°59'25" West 418.93 Feet; and (2) Along the arc of a 2897.90 Foot Radius Curve to the Left 73.94 Feet, Having a Central Angle of 01°27'43", Chord Bears North 52°43'17" West 73.94 Feet to the point of beginning. Containing 9.24 Acres.

Subject to the following 30.00 Foot wide Ingress and Egress Easement:

A part of the Northwest Quarter of Section 28, Township 7 North, Range 1 East of the Salt Lake Base and Meridian.  
Beginning at a point on the Northeastly Right-of-Way Line of State Highway 162 Located South 89°19'49" East 1406.32 Feet along the North line of said Northwest Quarter and South 00°00'00" East 2002.08 Feet from the Northwest Corner of said Northwest Quarter; Running Thence North 44°20'46" East 256.74 Feet; Thence North 02°44'05" East 215.50 Feet; Thence North 52°22'52" East 199.21 Feet; Thence South 49°45'45" East 30.69 Feet; Thence South 52°22'52" West 191.79 Feet; Thence South 02°44'05" West 213.02 Feet; Thence South 44°20'46" West 264.19 Feet to said Right-of-Way Line; Thence in a Northwesterly Direction to the left Along the Arc of a 2897.90 Foot Radius Curve, a Distance of 30.26 Feet, Chord Bears North 53°09'13" West 30.26 Feet, Having a Central Angle of 00°35'54" to the Point of Beginning.

## OWNER'S DEDICATION AND CERTIFICATION

Know all men by these presents that we, the undersigned Owners of the above described tract of land having caused the same to be subdivided into lots as shown on this plat and name said tract Story Farm Subdivision and herely dedicate, grant and convey, in perpetuity, pursuant to the provisions of 10-9a-607, Utah code, without condition, restriction or reservation to Weber County, Utah, all those parts or portions of said tract of land designated as streets to be used as public thoroughfares forever, and also dedicate to Weber County those certain strips as easements for public utility and drainage purposes as shown hereon. The same to be used for the installation, maintenance and operation of public utility service lines and drainage as may be authorized by the Governing Authority in witness we have here unto set our signature this \_\_\_\_\_ day of \_\_\_\_\_, 2013.

William C. Story

Dixie R. Story

## ACKNOWLEDGMENT

State of Utah  
County of \_\_\_\_\_

On this \_\_\_\_\_ day of \_\_\_\_\_, William C. Story and Dixie R. Story, Husband and Wife as Joint Tenants, Personally Appeared before me, the Undersigned Notary Public in and for said County of \_\_\_\_\_, in the State of Utah, the Signers of the Attached Owners Dedication, Two in Numbers, who duly Acknowledged to me they Signed it Freely and Voluntarily and for the Purpose Therein Mentioned.

Notary Public

13-3-92c V12.DWG 13-3-92 KGH 08/05/13

## WEBER COUNTY RECORDER

ENTRY NO. \_\_\_\_\_ FEE PAID \_\_\_\_\_ FILED FOR RECORD AND

RECORDED \_\_\_\_\_ IN BOOK \_\_\_\_\_ OF OFFICIAL

RECORDS, PAGE \_\_\_\_\_ RECORDED FOR \_\_\_\_\_

COUNTY RECORDER

BY: \_\_\_\_\_ DEPUTY