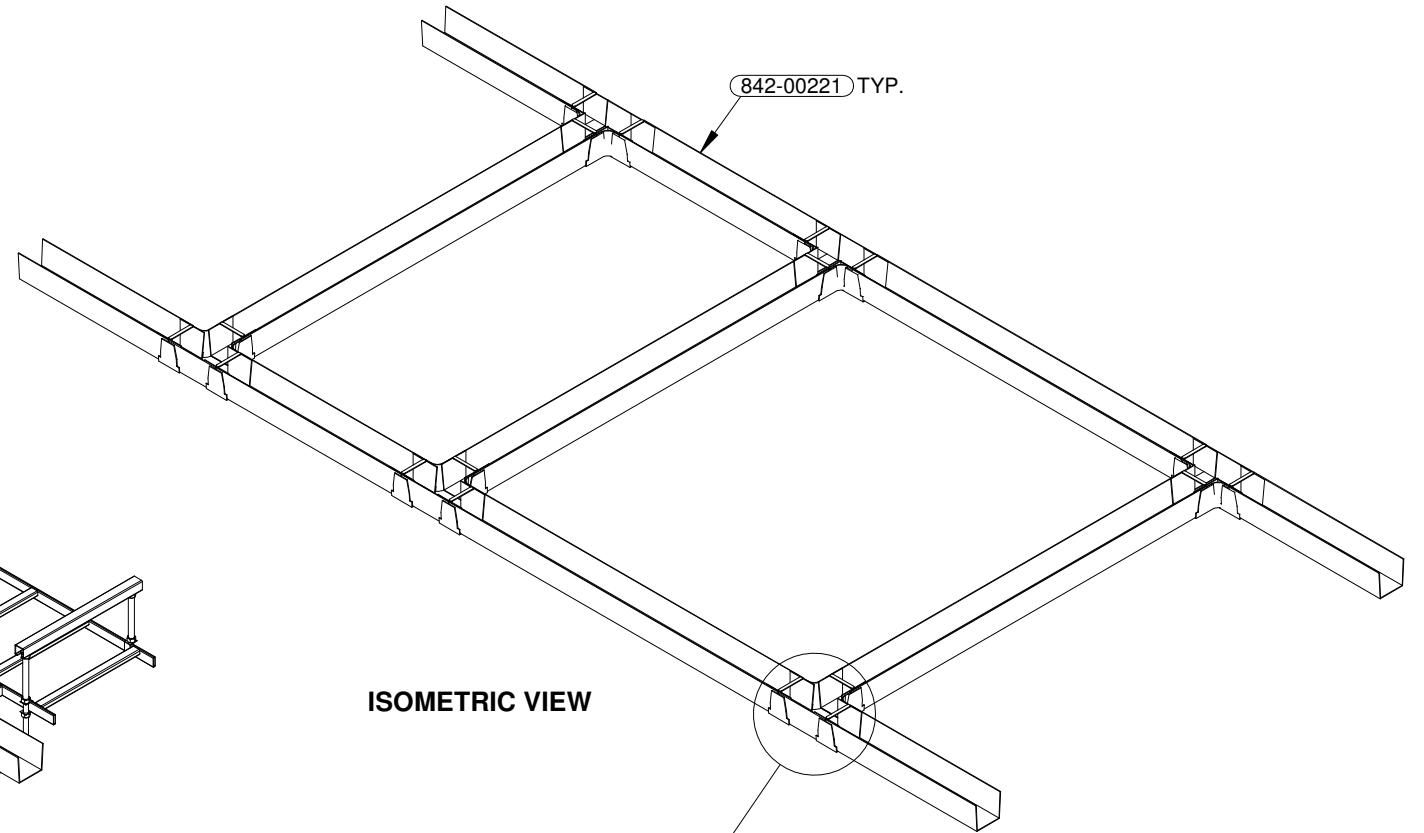


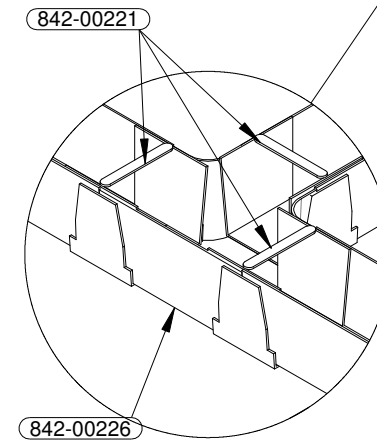
ISOMETRIC VIEW

18" CABLE TRAY
(194715) TYP.



842-00221 TYP.

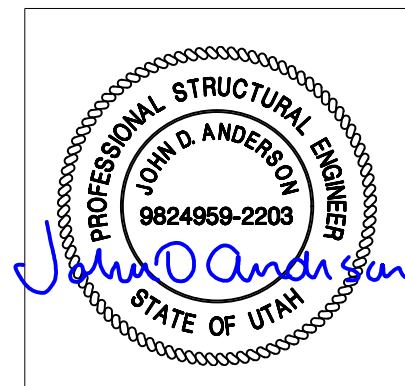
ISOMETRIC VIEW



842-00221

842-00226

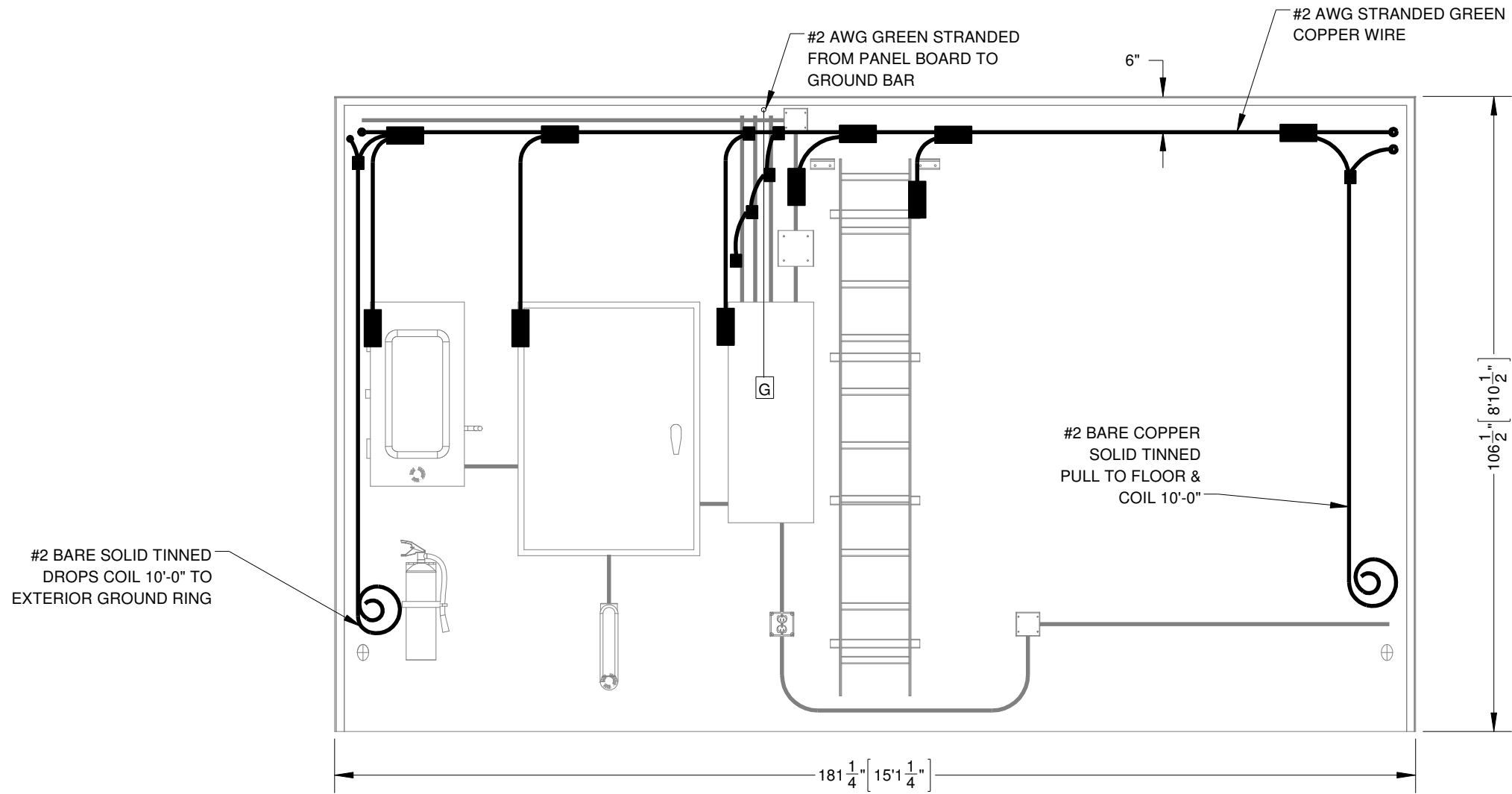
DETAIL R
SCALE 1 : 8



REV.	BY	DATE	REVISION	APP.

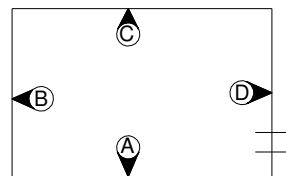
THESE PLANS ARE THE CONFIDENTIAL PROPERTY AND TRADE SECRETS OF FIBREBOND CORPORATION. ANY USE OF THESE DRAWINGS OR THE INFORMATION CONTAINED HEREIN FOR ANY REASON OTHER THAN AS EXPRESSLY AUTHORIZED BY FIBREBOND CORPORATION IS STRICTLY PROHIBITED. THESE DRAWINGS HAVE BEEN DISTRIBUTED WITH THE UNDERSTANDING THAT ANYONE RECEIVING OR OTHERWISE OBTAINING POSSESSION OF THEM WILL BE EXPRESSLY NOTIFIED OF THEIR CONFIDENTIAL NATURE

1300 DAVENPORT DRIVE, MINDEN, LA 71055 ph. (800) 824-2614 www.fibrebond.com				FIBREBOND®	
ALL WEST COMMUNICATIONS				ISSUED FOR: *APPROVAL A.01*	
12' - 0" X 16' - 0" BUILDING				APPROVALS IN PDM DATABASE	
CABLE RACK & FIBER TRAY DETAIL				THIRD ANGLE PROJECTION	
DRN. BY: GD	DATE: 19-NOV-2020	APP. BY: PM	DATE:	SCALE: 1:24	SHEET NO.: 2-11.1
CHK. BY: JC	DATE:	APP. BY:	DATE:	SIZE: B	DWG NO.: D11401

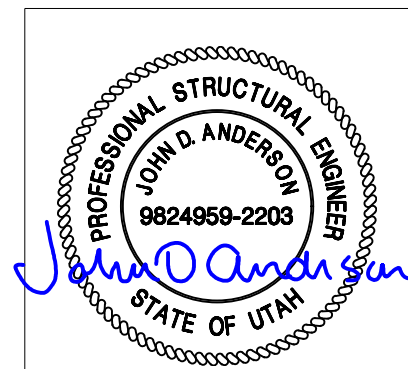


ELEVATION, INTERNAL, WALL-A, GROUNDING

- NOTES:
 1. REFER SHEET 1-3 FOR GROUNDING NOTES.
 2. REFER SHEET 3-6 FOR GROUNDING CONNECTIONS.



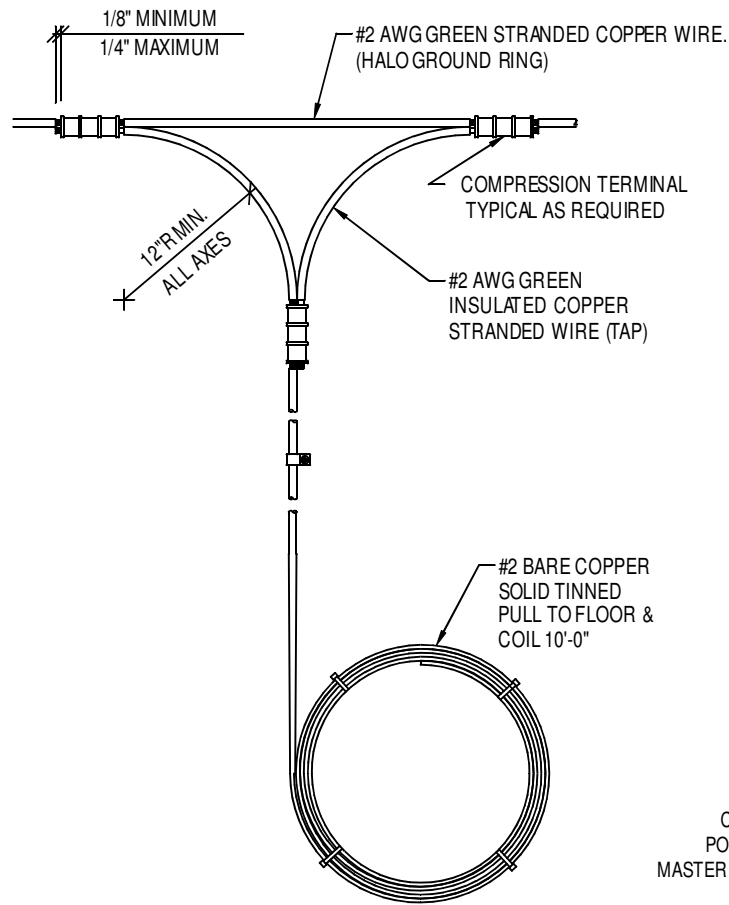
ELEVATION KEY



REV.	BY	DATE	REVISION	APP.

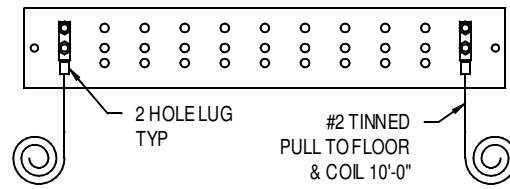
THESE PLANS ARE THE CONFIDENTIAL PROPERTY AND TRADE SECRETS OF FIBREBOND CORPORATION. ANY USE OF THESE DRAWINGS OR THE INFORMATION CONTAINED HEREIN FOR ANY REASON OTHER THAN AS EXPRESSLY AUTHORIZED BY FIBREBOND CORPORATION IS STRICTLY PROHIBITED. THESE DRAWINGS HAVE BEEN DISTRIBUTED WITH THE UNDERSTANDING THAT ANYONE RECEIVING OR OTHERWISE OBTAINING POSSESSION OF THEM WILL BE EXPRESSLY NOTIFIED OF THEIR CONFIDENTIAL NATURE

1300 DAVENPORT DRIVE, MINDEN, LA 71055 ph. (800) 824-2614 www.fibrebond.com				FIBREBOND	
ALL WEST COMMUNICATIONS				ISSUED FOR: *APPROVAL A.01*	
12' - 0" X 16' - 0" BUILDING				APPROVALS IN PDM DATABASE	
ELEVATION, INTERNAL, WALL-A, GROUNDING				THIRD ANGLE PROJECTION	
DRN. BY: GD	DATE: 21-DEC-2020	APP. BY: PM	DATE:	SCALE: 1:24	SHEET NO.: 3-2
CHK. BY: JC	DATE:	APP. BY:	DATE:	SIZE: B	DWG NO.: D11401



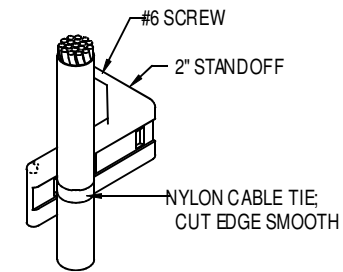
TYPICAL HALO GROUND GROUND CORNER DETAIL

SCALE: N.T.S.



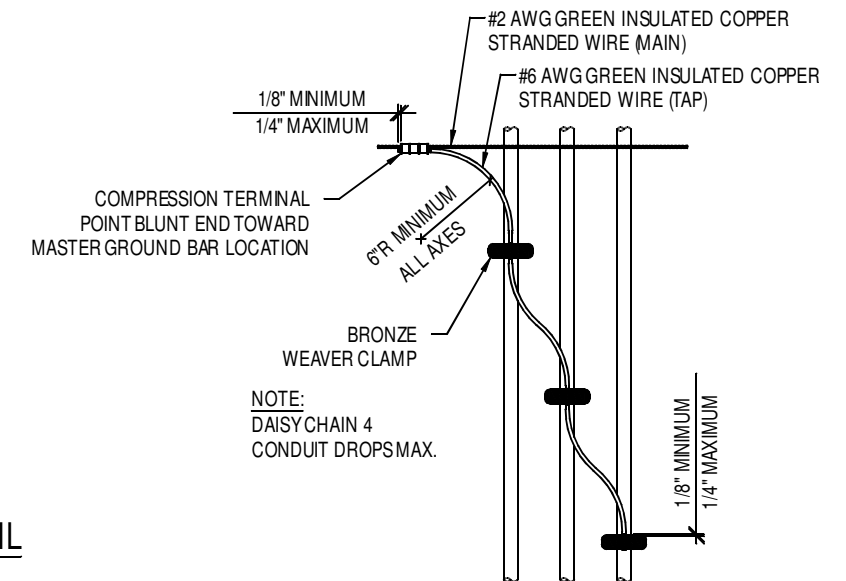
INTERIOR GROUND BAR DETAIL

SCALE: N.T.S.



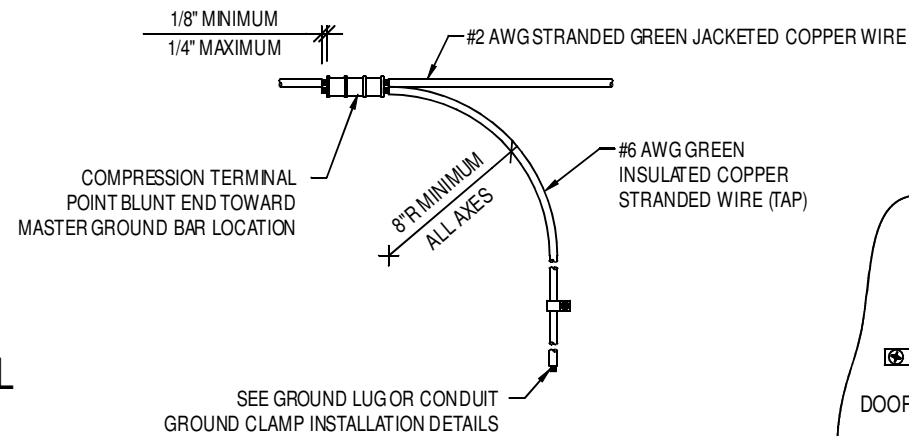
HALO WIRE SUPPORT DETAIL

(TYP. FOR HALO RING & DROPS)



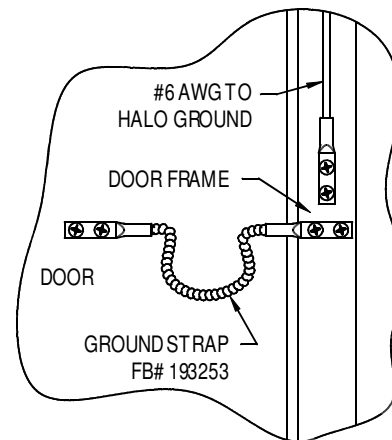
HALO GROUND CONDUIT DROP DETAIL

SCALE: N.T.S.



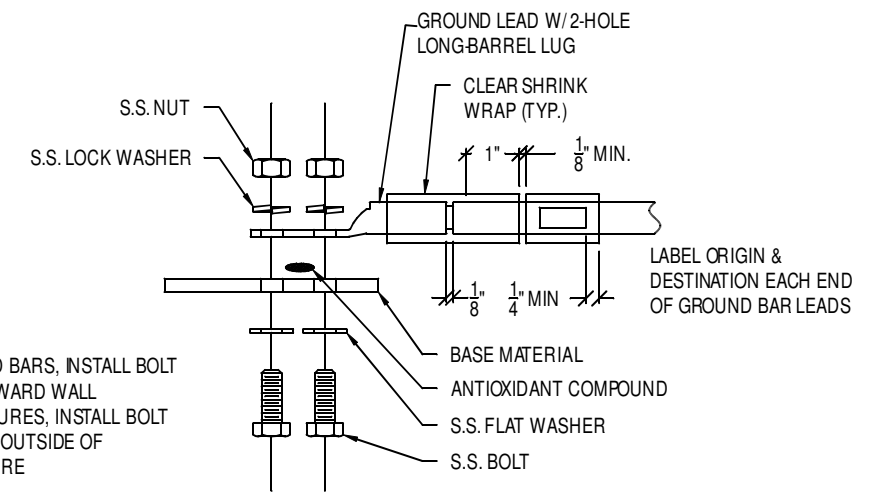
HALO GROUND DROP DETAIL

SCALE: N.T.S.



HALO GROUND DOOR CONNECTION DETAIL

SCALE: N.T.S.

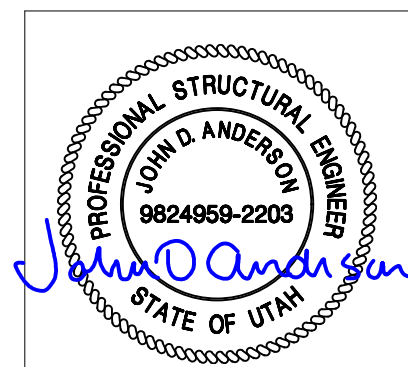


GROUND LUG INSTALLATION DETAIL

SCALE: N.T.S.

FB #	WIRE SIZE	HOLES	HOLE SPACING
830-12673	#2	(2) 5/16"Ø	5/8"
830-21380	#4	(2) 5/16"Ø	5/8"
830-21023	#6	(2) 5/16"Ø	5/8"
830-21024	#2	(2) 7/16"Ø	1"
830-11703	#4	(2) 7/16"Ø	1"
830-22172	#6	(2) 7/16"Ø	1"
830-20626	2/0	(2) 7/16"Ø	1"

NOTE:
SEE 1-3 SHEET FOR GROUNDING NOTES



REV.	BY	DATE	REVISION	APP.

THESE PLANS ARE THE CONFIDENTIAL PROPERTY AND TRADE SECRETS OF FIBREBOND CORPORATION. ANY USE OF THESE DRAWINGS OR THE INFORMATION CONTAINED HEREIN FOR ANY REASON OTHER THAN AS EXPRESSLY AUTHORIZED BY FIBREBOND CORPORATION IS STRICTLY PROHIBITED. THESE DRAWINGS HAVE BEEN DISTRIBUTED WITH THE UNDERSTANDING THAT ANYONE RECEIVING OR OTHERWISE OBTAINING POSSESSION OF THEM WILL BE EXPRESSLY NOTIFIED OF THEIR CONFIDENTIAL NATURE.

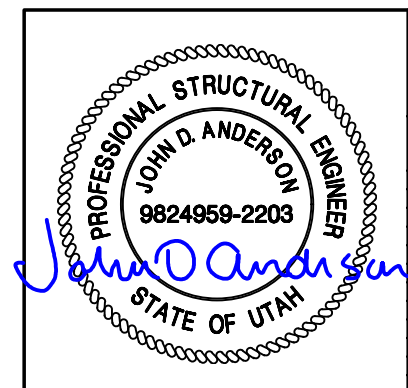
1300 DAVENPORT DRIVE, MNDEN, LA 71055 ph. (800) 824-2614 www.fibrebond.com			
ALL WEST COMMUNICATIONS		ISSUED FOR: *APPROVAL A.01*	
12' - 0" X 16' - 0" BUILDING		APPROVALS IN PDM DATABASE	
HALO GROUNDING DETAIL		THIRD ANGLE PROJECTION	
DRN. BY: GD	DATE: 21-DEC-2020	APP. BY: PM	DATE:
CHK. BY: JC	DATE:	APP. BY:	DATE:

FIBREBOND	
SCALE: N.T.S.	SHEET NO: 3-6
SIZE: B	DWG NO.: D11401

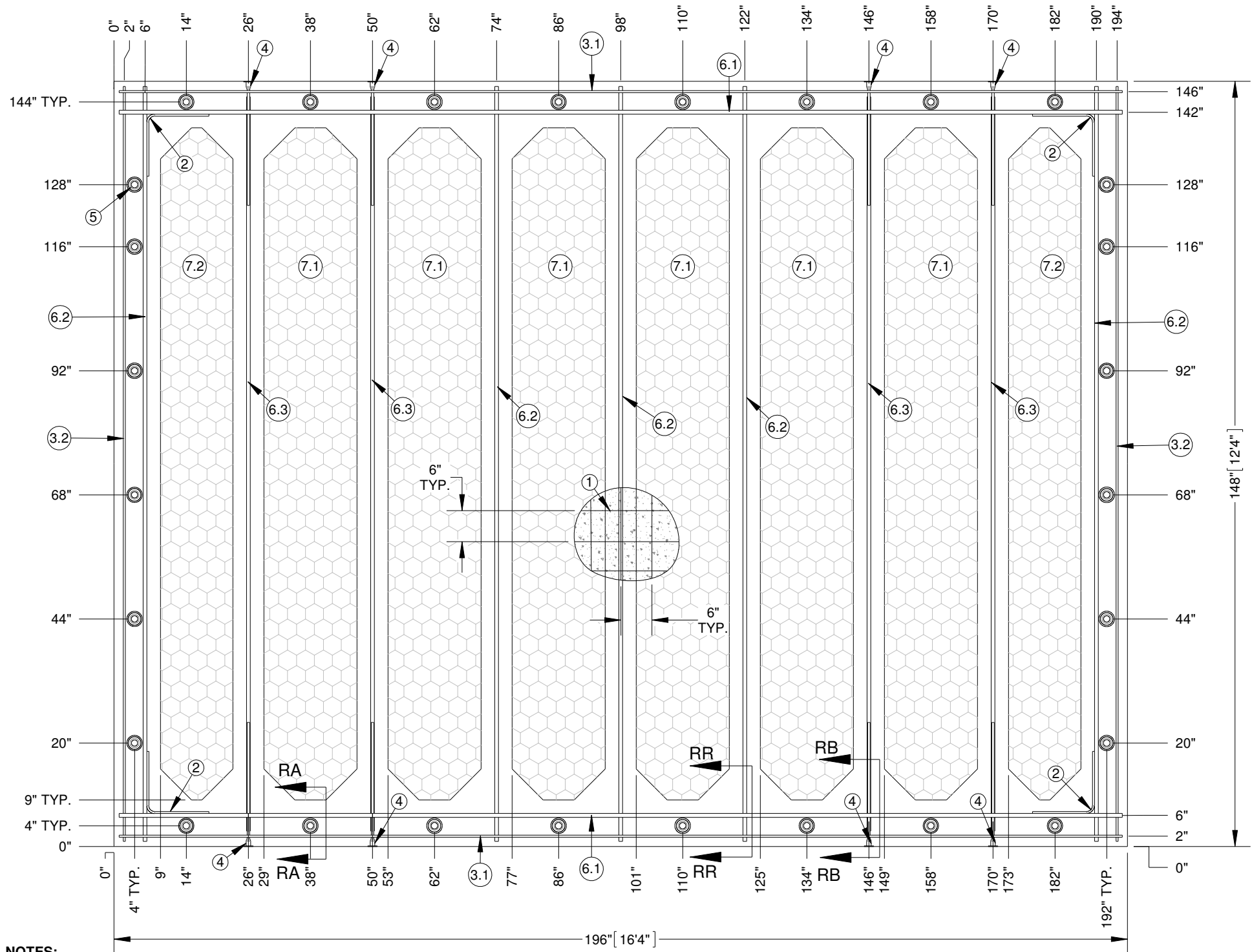
LOAD				LOAD PER PHASE (VA)		WIRE COLOR	LOADS CONTINUOUS	LOADS NON-CONTINUOUS	LOADS SUB-PANEL	WIRE SIZE	GROUNDING WIRE SIZE	TRIP	TRIP	GROUNDING WIRE SIZE	WIRE SIZE	LOADS SUB-PANEL	LOADS NON-CONTINUOUS	LOADS CONTINUOUS	WIRE COLOR	LOAD PER PHASE (VA)		LOAD				
DESCRIPTION	QTY.	UNIT V.A.	PHASE		PHASE															UNIT V.A.	QTY.	DESCRIPTION	QTY.	DESCRIPTION		
			A	B	A																				B	
1	HVAC #1	1	4428	4428	BLK													X	BLK	216		36	6	INTERIOR LIGHTS	2	
3		1	4428		4428	RED													X	RED		15	15	1	EXTERIOR LIGHT	4
5	INTERIOR RECEPTACLES	4	180	900	BLK	X				12	12	20	20	12	12				X	BLK	9		9	1	SMOKE DETECTOR	6
7	EXTERIOR GFCI RECEPTACLE	1	180		RED	X					(12)	20	30	8	8				X	RED		1200	1200	1	RECTIFIER #1	8
9	POWER FAIL	1	10	10	BLK	X					(12)	20							BLK	1200		1200	1	10		
11	SPACE				RED								30	8	8				X	RED		1200	1200	1	RECTIFIER #2	12
13	SPACE				BLK														BLK	1200		1200	1	14		
15	SPACE				RED														RED						SPACE	16
17	SPACE				BLK														BLK						SPACE	18
19	SPACE				RED														RED						SPACE	20
21	SPACE				BLK														BLK						SPACE	22
23	SPACE				RED														RED						SPACE	24
25	SPACE				BLK														BLK						SPACE	26
27	SPACE				RED														RED						SPACE	28
29	SPACE				BLK														BLK						SPACE	30
31	SPACE				RED														RED						SPACE	32
33	SPACE				BLK														BLK						SPACE	34
35	SPACE				RED														RED						SPACE	36
37	SPACE				BLK														BLK						SPACE	38
39	SPACE				RED														RED						SPACE	40
41	SPACE				BLK														BLK						SPACE	42
			SUBTOTAL CONTINUOUS	720	180															2,415	2,415	SUBTOTAL CONTINUOUS	TOTAL KVA CONTINUOUS x 1.25	7.44		
			SUBTOTAL NON-CONTINUOUS	4,428	4,428															-	-	SUBTOTAL NON-CONTINUOUS	TOTAL KVA NON-CONTINUOUS	8.86		
			SUBTOTAL SUB-PANEL	-	-															-	-	SUBTOTAL SUB-PANEL	TOTAL KVA SUB-PANEL	-		
PANEL DESIGNATION: ELECTRICAL PANEL (823-01345)																						TOTAL KVA	16.30			
MAIN LUGS: N/A		MAIN BREAKER: 200 AMP		MAIN BREAKER A.I.C RATING: 22,000 A.I.C				BRANCH BREAKER A.I.C RATING: 10,000 A.I.C				BRANCH BREAKER TYPE: CUTTLER HAMMER - SNAP IN				TOTAL KVA	67.92									
VOLTAGE: 120/240		CYCLE: 60		PHASE: 1		WIRES: 3		MAIN COPPER BUS: 200 AMPS				NEUTRAL: 200 AMPS				TOTAL AMPS	67.92									

- KEY:
- (PC) = PHOTOCCELL
 - (M) = MOTION DETECTOR
 - = CONDUIT GROUND
 - # = NON-DEDICATED GROUND
 - (#) = DEDICATED GROUND
 - <#> = ISOLATED GROUND

- NOTES:
- ALL WIRE TO BE #12 THHN/THWN UNLESS NOTED OTHERWISE.
COLOR CODE:
 - AØ = BLACK
 - BØ = RED
 - NEUTRAL = WHITE
 - GROUND = GREEN
 - ALL WORK TO CONFORM TO N.E.C. LATEST STATE ADOPTED EDITION. LABEL SERVICE DISCONNECT WITH A RED TAG.
 - SWITCH LEG CONDUCTORS SHALL BE THE SAME COLOR AS CIRCUIT CONDUCTORS.
 - ALL GFCI RECEPTACLES TO HAVE A DEDICATED GROUND WIRE.
 - SEE ELECTRICAL SCHEMATIC #2 SHEET FOR MORE DETAILS.
 - EQUIPMENT TERMINATION LUGS AND CONDUCTORS ARE RATED AT A MINIMUM OF 75°C.



REV. BY		DATE	REVISION	APP.		THESE PLANS ARE THE CONFIDENTIAL PROPERTY AND TRADE SECRETS OF FIBREBOND CORPORATION. ANY USE OF THESE DRAWINGS OR THE INFORMATION CONTAINED HEREIN FOR ANY REASON OTHER THAN AS EXPRESSLY AUTHORIZED BY FIBREBOND CORPORATION IS STRICTLY PROHIBITED. THESE DRAWINGS HAVE BEEN DISTRIBUTED WITH THE UNDERSTANDING THAT ANYONE RECEIVING OR OTHERWISE OBTAINING POSSESSION OF THEM WILL BE EXPRESSLY NOTIFIED OF THEIR CONFIDENTIAL NATURE.		1300 DAVENPORT DRIVE, MINDEN, LA 71055 ph. (800) 824-2614 www.fibrebond.com		FIBREBOND	
ALL WEST COMMUNICATIONS								ISSUED FOR: *APPROVAL A.01*			
12'-0" X 16'-0" BUILDING								APPROVALS IN PDM DATABASE			
ELECTRICAL SCHEMATIC #1								THIRD ANGLE PROJECTION			
DRN. BY: GD		DATE: 18-DEC-2020		APP. BY: PM		DATE:		SCALE NTS		SHEET NO: 5-1	
CHK. BY: JC		DATE:		APP. BY:		DATE:		SIZE DWG NO.: B		D11401	



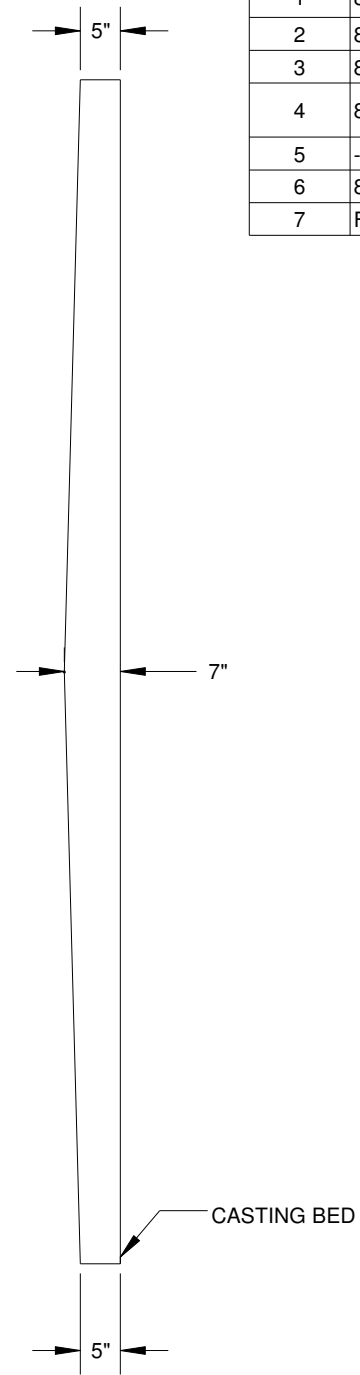
ITEM NO	PART NUMBER	DESCRIPTION	QTY.
1	810-11400	WIRE MESH, 11'-6" X 20' D5-D5	0.87
2	810-11450	REBAR BEND, #3 X 24" 90 DEG	4
3	810-11442	REBAR, #3 (3/8") GRADE 60	56.67
4	806-40448	SPLICER, #4 X 24" DOWEL BAR 78194 (USA - 100%)	8
5	-	POCKET FORMER	28
6	810-11443	REBAR #6, (3/4") GRADE 60	140.5
7	FOAM	3" EPS FOAM INSULATION	-

ITEM NO	DESCRIPTION	QTY.	LENGTH
6.1	#6 REBAR	2	194"
6.2	#6 REBAR	5	146"
6.3	#6 REBAR	4	142"

ITEM NO	DESCRIPTION	QTY.	LENGTH
3.1	#3 REBAR	2	194"
3.2	#3 REBAR	2	146"

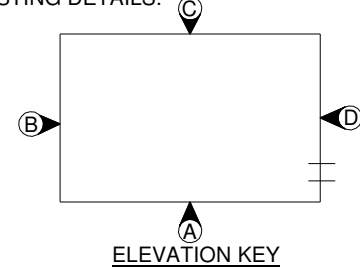
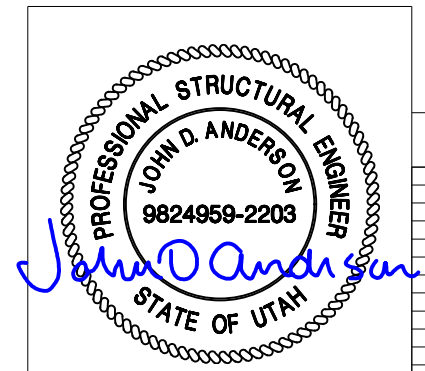
ITEM NO	DESCRIPTION	QTY.	LENGTH	WIDTH
7.1	FOAM	6	130"	18"
7.2	FOAM	2	130"	14"

ALL FOAM CORNERS ARE TO BE CHAMFERED 6"



- NOTES:**
1. ALL REBAR GRADE 60 TYPICAL; SEE STRUCTURAL MISC. DETAIL SHEET FOR REBAR SIZE & SPLICE LENGTHS.
 2. DIAGONAL DIMENSION- $245\frac{5}{8}$ "
 3. ALL REBAR TO BE TIED AT EACH CROSS OVER.
 4. REFER 6-7 STRUCTURAL ROOF SECTION DETAILS SHEET FOR CASTING DETAILS.

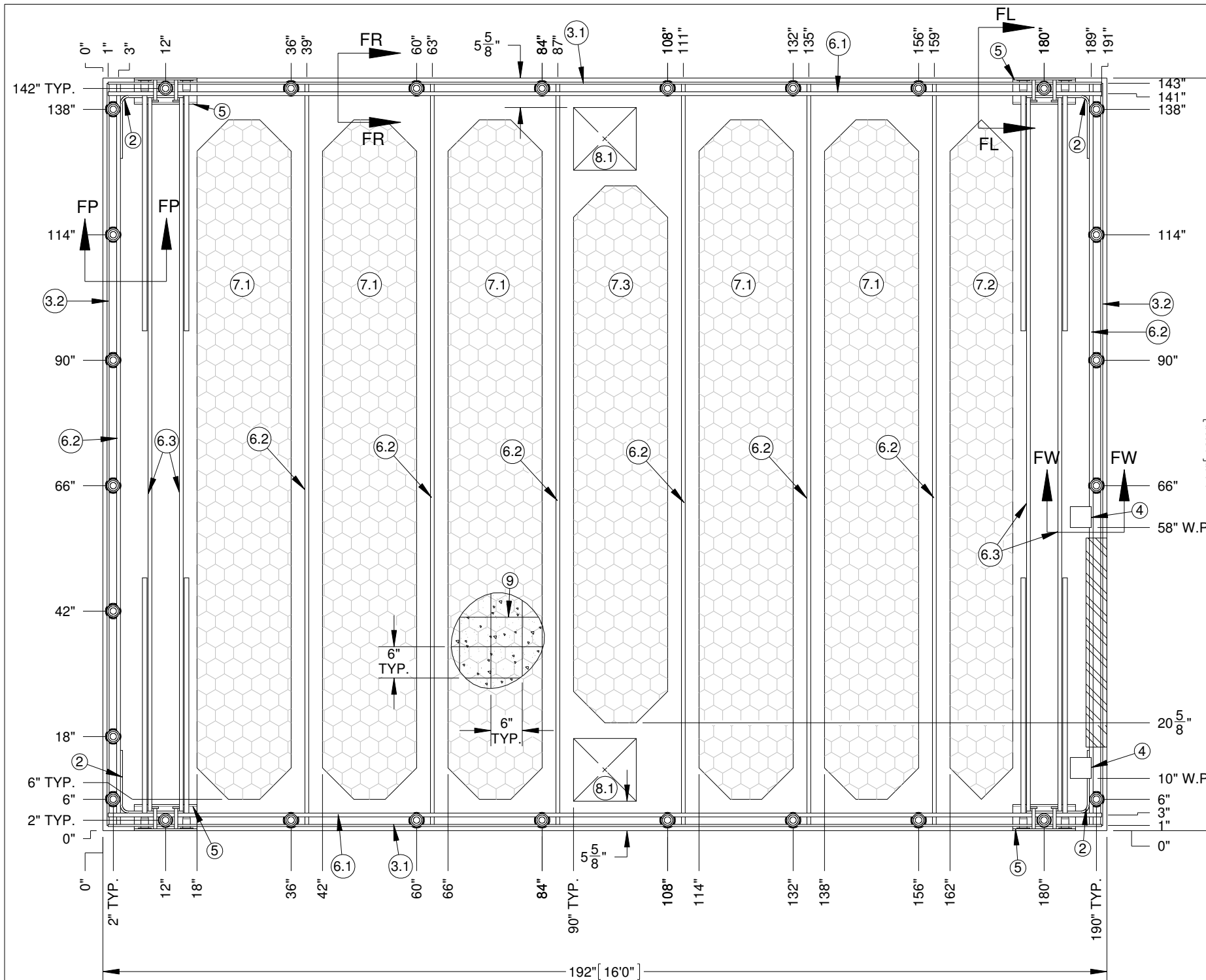
STRUCTURAL LAYOUT, ROOF
201.44 sq.ft



REV.	BY	DATE	REVISION	APP.

THESE PLANS ARE THE CONFIDENTIAL PROPERTY AND TRADE SECRETS OF FIBREBOND CORPORATION. ANY USE OF THESE DRAWINGS OR THE INFORMATION CONTAINED HEREIN FOR ANY REASON OTHER THAN AS EXPRESSLY AUTHORIZED BY FIBREBOND CORPORATION IS STRICTLY PROHIBITED. THESE DRAWINGS HAVE BEEN DISTRIBUTED WITH THE UNDERSTANDING THAT ANYONE RECEIVING OR OTHERWISE OBTAINING POSSESSION OF THEM WILL BE EXPRESSLY NOTIFIED OF THEIR CONFIDENTIAL NATURE.

1300 DAVENPORT DRIVE, MINDEN, LA 71055 ph. (800) 824-2614 www.fibrebond.com		FIBREBOND	
ALL WEST COMMUNICATIONS		ISSUED FOR: *APPROVAL A.01*	
12' - 0" X 16' - 0" BUILDING		APPROVALS IN PDM DATABASE	
STRUCTURAL LAYOUT, ROOF		THIRD ANGLE PROJECTION	
DRN. BY: GD	DATE: 04-JAN-2021	APP. BY: PM	DATE:
CHK. BY: JC	DATE:	APP. BY:	DATE:
SCALE: 1:24	SHEET NO.: 6-1	SIZE: B	DWG NO.: D11401



STRUCTURAL LAYOUT, FLOOR
192 sq.ft

ITEM NO.	PART NUMBER	DESCRIPTION	QTY.
1	-	POCKET FORMER	28
2	810-11450	REBAR BEND, #3 X 24" 90 DEG	4
3	810-11442	REBAR#3 (3/8") GRADE 60	55.33
4	193544	WELD PLATE ASSY 3/8" X 4" X 4" W/ 1/2" X 2 5/8" NELSON STUD	2
5	197748	INTERNAL LIFTING ANGLE ASSEMBLY 3/8" X 5" X 5" X 12" W/ #7 DB'S AND CENTER POCKET FORMER RELIEF	4
6	810-11443	REBAR#6 (3/4") GRADE 60	172.33
7	809-00001	EPS PURCHASE FOAM INSULATION - 130" X 18" X 4"	-
8	FOAM	6" EPS FOAM INSULATION	-
9	810-11400	WIRE MESH, 11'-6" X 20' D5-D5	0.83

ITEM NO	DESCRIPTION	QTY.	LENGTH
3.1	#3 REBAR	2	190"
3.2	#3 REBAR	2	142"

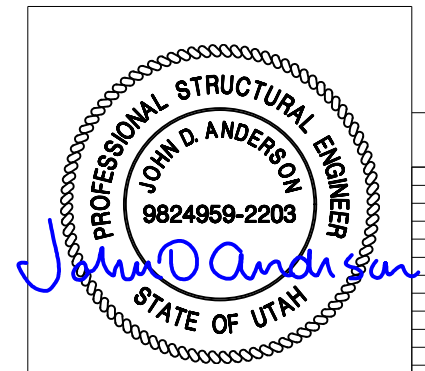
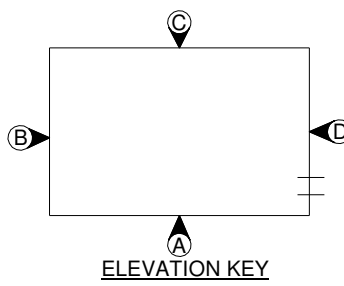
ITEM NO	DESCRIPTION	QTY.	LENGTH
6.1	#6 REBAR	2	190"
6.2	#6 REBAR	8	142"
6.3	#6 REBAR	4	138"

ITEM NO	DESCRIPTION	QTY.	LENGTH	WIDTH
7.1	FOAM	5	130"	18"
7.2	FOAM	1	130"	12"
7.3	FOAM	1	102 3/4"	18"

ALL FOAM CORNERS ARE TO BE CHAMFERED 6"

ITEM NO	QTY.	DESCRIPTION	LENGTH	WIDTH
8.1	2	FOAM	12"	12"

- NOTES:
- 6" FLOOR; SEE STRUCTURAL MISC. DETAIL SHEET.
 - ALL REBAR GRADE 60 TYPICAL SEE MISC. DETAIL SHEET FOR REBAR SIZE & SPLICE LENGTHS.
 - DIAGONAL DIMENSION - 240"
 - REBAR AROUND PERIMETER TO BE TIED AT EACH CROSSOVER. REMAINDER TO BE TIED AT EVERY 4TH CROSSOVER. APPROX. 2'-0" O.C.
 - PREPARE FLOOR FOR TILE TO CONCRETE.
 - REFER SHEET 6-8 STRUCTURAL FLOOR SECTION DETAILS SHEET FOR CASTING DETAIL.



REV.	BY	DATE	REVISION	APP.

THESE PLANS ARE THE CONFIDENTIAL PROPERTY AND TRADE SECRETS OF FIBREBOND CORPORATION. ANY USE OF THESE DRAWINGS OR THE INFORMATION CONTAINED HEREIN FOR ANY REASON OTHER THAN AS EXPRESSLY AUTHORIZED BY FIBREBOND CORPORATION IS STRICTLY PROHIBITED. THESE DRAWINGS HAVE BEEN DISTRIBUTED WITH THE UNDERSTANDING THAT ANYONE RECEIVING OR OTHERWISE OBTAINING POSSESSION OF THEM WILL BE EXPRESSLY NOTIFIED OF THEIR CONFIDENTIAL NATURE

1300 DAVENPORT DRIVE, MINDEN, LA 71055
ph. (800) 824-2614 www.fibrebond.com

FIBREBOND

ISSUED FOR:
APPROVAL A.01

ALL WEST COMMUNICATIONS

12' - 0" X 16' - 0" BUILDING

APPROVALS IN PDM DATABASE

STRUCTURAL LAYOUT, FLOOR

THIRD ANGLE PROJECTION

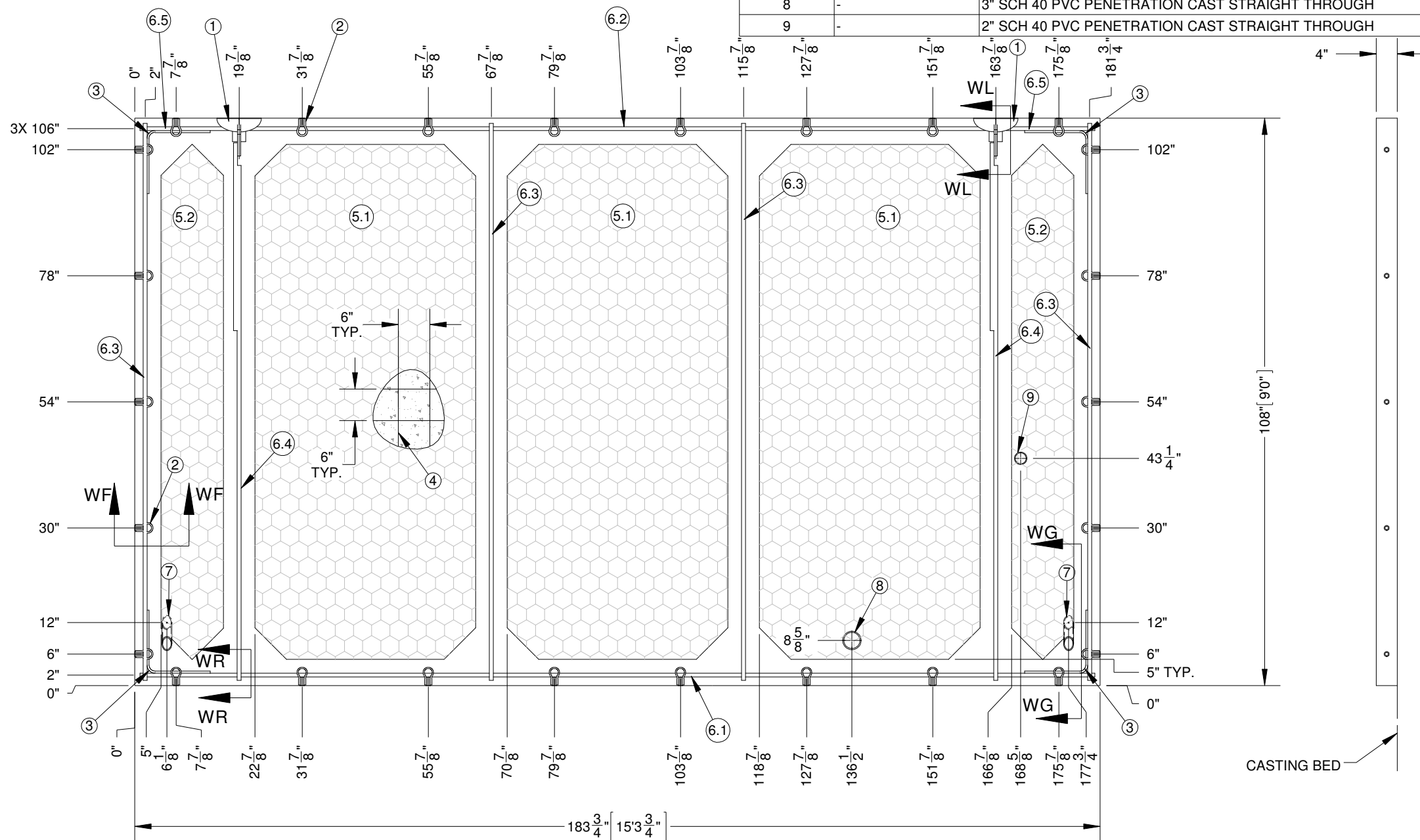
DRN. BY: GD	DATE: 04-JAN-2021	APP. BY: PM	DATE:	SCALE: 1:24	SHEET NO.: 6-2
CHK. BY: JC	DATE:	APP. BY:	DATE:	SIZE: B	DWG NO.: D11401

ITEM NO	DESCRIPTION	QTY.	LENGTH
6.1	#6 REBAR	1	181 3/4"
6.2	#6 REBAR	1	140"
6.3	#6 REBAR	4	106"
6.4	#6 REBAR	2	98"
6.5	#6 REBAR	2	16 7/8"

ITEM NO	DESCRIPTION	QTY.	LENGTH	WIDTH
5.1	FOAM	3	98"	42"
5.2	FOAM	2	98"	11 7/8"

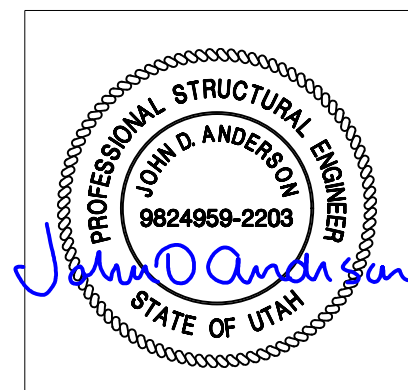
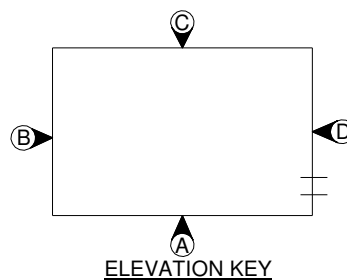
ALL FOAM CORNERS ARE TO BE CHAMFERED 6"

ITEM#	PART NUMBER	DESCRIPTION	QTY.
1	198228	ERECTION HEAD ANCHOR ASSY WITH SHEAR PLATE, 3'-0"	2
2	806-11377	Insert, 5/8"-11 (F-42) 122450 (USA - 100%)	26
3	810-11450	REBAR BEND, #3 X 24" 90 DEG	4
4	810-11400	WIREMESH, 11'-6" X 20' D5-D5	0.59
5	809-13622	EPS PURCHASE FOAM INSULATION - 98" X 42" X 1 1/2"	-
6	810-11443	REBAR, #6 (3/4") A615 GRADE 60	81.29
7	-	1 1/2" PVC CAST @ 45°	2
8	-	3" SCH 40 PVC PENETRATION CAST STRAIGHT THROUGH	1
9	-	2" SCH 40 PVC PENETRATION CAST STRAIGHT THROUGH	1



- NOTES:
1. TYPICAL 4" WALL PANEL; SEE STRUCTURAL MISC. DETAIL SHEET.
 2. SIDE PANEL CAST EXTERIOR SIDE UP.
 3. ALL REBAR GRADE 60 TYPICAL; SEE STRUCTURAL MISC. DETAIL SHEET FOR REBAR SIZE & SPLICE LENGTHS.
 4. DIAGONAL DIMENSION - $213\frac{1}{8}$ "
 5. ALL REBAR TO BE TIED AT EACH CROSS OVER.
 6. REFER 6-9 STRUCTURAL WALL SECTION DETAILS SHEET FOR CASTING DETAILS.

STRUCTURAL LAYOUT, SIDE PANEL-A
137.81 sq.ft



REV.	BY	DATE	REVISION	APP.

THESE PLANS ARE THE CONFIDENTIAL PROPERTY AND TRADE SECRETS OF FIBREBOND CORPORATION. ANY USE OF THESE DRAWINGS OR THE INFORMATION CONTAINED HEREIN FOR ANY REASON OTHER THAN AS EXPRESSLY AUTHORIZED BY FIBREBOND CORPORATION IS STRICTLY PROHIBITED. THESE DRAWINGS HAVE BEEN DISTRIBUTED WITH THE UNDERSTANDING THAT ANYONE RECEIVING OR OTHERWISE OBTAINING POSSESSION OF THEM WILL BE EXPRESSLY NOTIFIED OF THEIR CONFIDENTIAL NATURE

1300 DAVENPORT DRIVE, MINDEN, LA 71055 ph. (800) 824-2614 www.fibrebond.com				FIBREBOND	
ALL WEST COMMUNICATIONS				ISSUED FOR: *APPROVAL A.01*	
12' - 0" X 16' - 0" BUILDING				APPROVALS IN PDM DATABASE	
STRUCTURAL LAYOUT, SIDE PANEL-A				THIRD ANGLE PROJECTION	
DRN. BY: GD	DATE: 31-DEC-2020	APP. BY: PM	DATE:	SCALE: 1:24	SHEET NO.: 6-3
CHK. BY: JC	DATE:	APP. BY:	DATE:	SIZE: B	DWG NO.: D11401

ITEM NO	DESCRIPTION	QTY.	LENGTH
3.1	#3 REBAR	2	106"

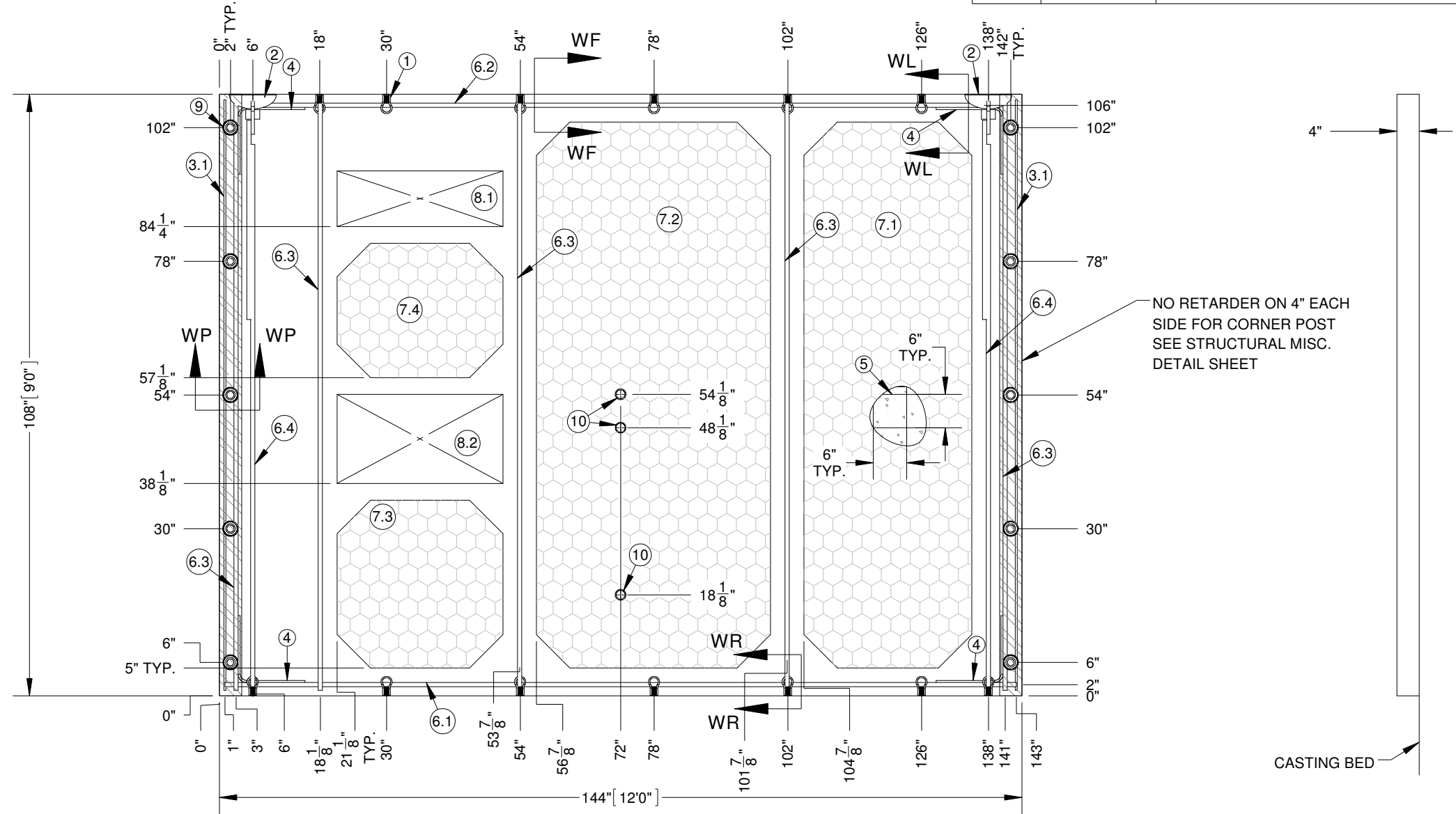
ITEM NO	DESCRIPTION	QTY.	LENGTH
6.1	#6 REBAR	1	142"
6.2	#6 REBAR	1	128"
6.3	#6 REBAR	5	106"
6.4	#6 REBAR	2	98"

ITEM NO	QTY.	DESCRIPTION	LENGTH	WIDTH
7.1	1	FOAM	98"	30 1/8"
7.2	1	FOAM	98"	42"
7.3	1	FOAM	30 1/8"	29 3/4"
7.4	1	FOAM	24 1/8"	29 3/4"

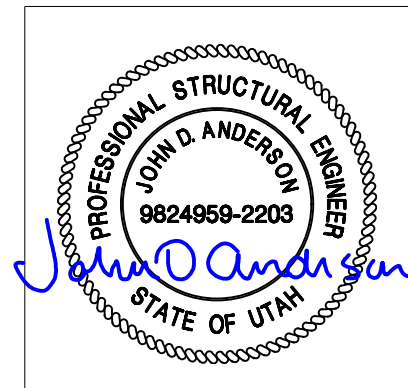
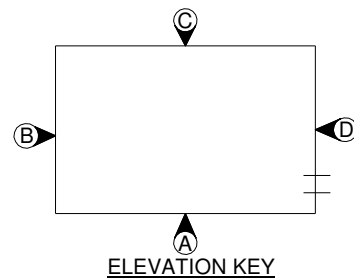
ITEM NO	PART NUMBER	DESCRIPTION	QTY.
1	806-11377	Insert, 5/8"-11 (F-42) 122450 (USA - 100%)	13
2	198228	ERECTION HEAD ANCHOR ASSY WITH SHEAR PLATE, 3'-0"	2
3	810-11442	REBAR, #3 (3/8") GRADE 60	17.67
4	810-11450	REBAR BEND, #3 X 24" 90 DEG	4
5	810-11400	WIRE MESH, 11'-6" X 20'-0" D5-D5	0.46
6	810-11443	REBAR#6 (3/4") GRADE 60	83
7	809-13622	EPS PURCHASE FOAM INSULATION - 98" X 42" X 1 1/2"	-
8	-	4" EPS FOAM INSULATION	-
9	-	POCKET FORMER	10
10	-	1 1/2" SCH 40 PVC PENETRATION CAST STRAIGHT THROUGH	3

ALL FOAM CORNERS ARE TO BE CHAMFERED 6"

ITEM NO	DESCRIPTION	QTY.	LENGTH	WIDTH
8.1	FOAM	1	10"	29 3/4"
8.2	FOAM	1	16"	29 3/4"



- NOTES:
1. TYPICAL 4" WALL PANEL; SEE STRUCTURAL MISC. DETAIL SHEET.
 2. END PANEL CAST EXTERIOR SIDE UP.
 3. ALL REBAR GRADE 60 TYPICAL; SEE STRUCTURAL MISC. DETAIL SHEET FOR REBAR SIZE & SPLICE LENGTHS.
 4. DIAGONAL DIMENSION - 180"
 5. ALL REBAR TO BE TIED AT EACH CROSS OVER.
 6. REFER 6-9 STRUCTURAL WALL SECTION DETAILS SHEET FOR CASTING DETAILS.



STRUCTURAL LAYOUT, END PANEL-B
108 sq.ft

REV.	BY	DATE	REVISION	APP.

THESE PLANS ARE THE CONFIDENTIAL PROPERTY AND TRADE SECRETS OF FIBREBOND CORPORATION. ANY USE OF THESE DRAWINGS OR THE INFORMATION CONTAINED HEREIN FOR ANY REASON OTHER THAN AS EXPRESSLY AUTHORIZED BY FIBREBOND CORPORATION IS STRICTLY PROHIBITED. THESE DRAWINGS HAVE BEEN DISTRIBUTED WITH THE UNDERSTANDING THAT ANYONE RECEIVING OR OTHERWISE OBTAINING POSSESSION OF THEM WILL BE EXPRESSLY NOTIFIED OF THEIR CONFIDENTIAL NATURE

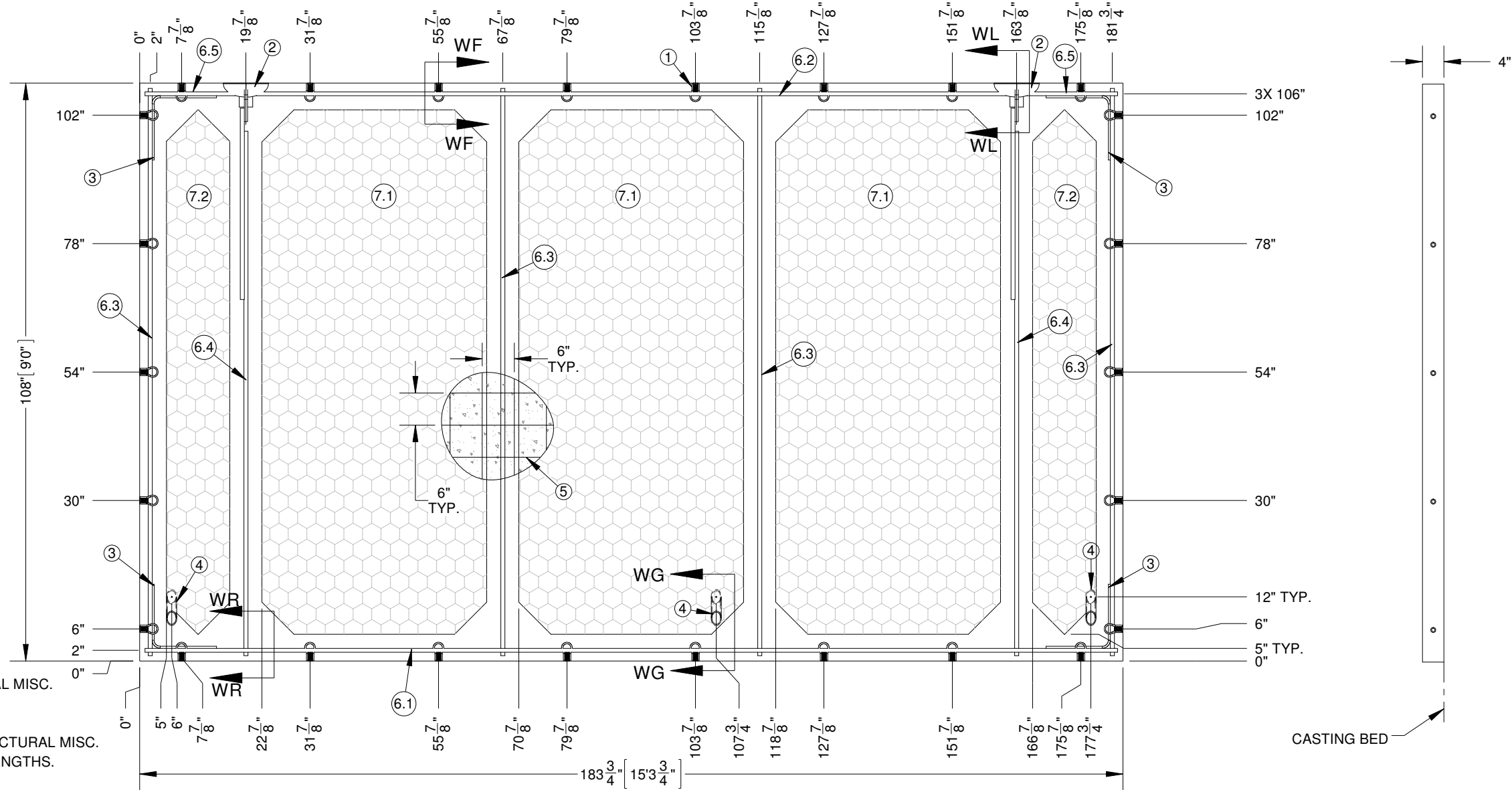
1300 DAVENPORT DRIVE, MINDEN, LA 71055 ph. (800) 824-2614 www.fibrebond.com				FIBREBOND	
ALL WEST COMMUNICATIONS				ISSUED FOR: *APPROVAL A.01*	
12' - 0" X 16' - 0" BUILDING				APPROVALS IN PDM DATABASE	
STRUCTURAL LAYOUT, END PANEL-B				THIRD ANGLE PROJECTION	
DRN. BY: GD	DATE: 04-JAN-2021	APP. BY: PM	DATE:	SCALE: 1:24	SHEET NO.: 6-4
CHK. BY: JC	DATE:	APP. BY:	DATE:	SIZE: B	DWG NO.: D11401

ITEM NO	DESCRIPTION	QTY.	LENGTH
6.1	#6 REBAR	1	181 3/4"
6.2	#6 REBAR	1	140"
6.3	#6 REBAR	4	106"
6.4	#6 REBAR	2	98"
6.5	#6 REBAR	2	16 7/8"

ITEM NO	DESCRIPTION	QTY.	WIDTH	LENGTH
7.1	FOAM	3	42"	98"
7.2	FOAM	2	11 7/8"	98"

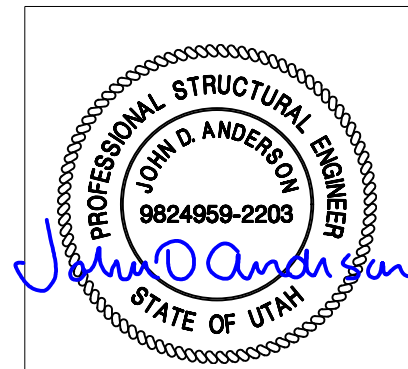
ALL FOAM CORNERS ARE TO BE CHAMFERED 6"

ITEM NO.	PART NUMBER	DESCRIPTION	QTY.
1	806-11377	Insert, 5/8"-11 (F-42) 122450 (USA - 100%)	26
2	198228	ERECTION HEAD ANCHOR ASSY WITH SHEAR PLATE, 3'-0"	2
3	810-11450	REBAR BEND, #3 X 24" 90 DEG	4
4	-	1 1/2" PVC CAST @ 45°	3
5	810-11400	WIRE MESH, 11'-6" X 20' D5-D5	0.59
6	810-11443	REBAR, #6 (3/4"), GRADE 60	81.29
7	809-13622	EPS PURCHASE FOAM INSULATION - 98" X 42" X 1 1/2"	-



- NOTES:
1. TYPICAL 4" WALL PANEL; SEE STRUCTURAL MISC. DETAIL SHEET.
 2. SIDE PANEL CAST EXTERIOR SIDE UP.
 3. ALL REBAR GRADE 60 TYPICAL; SEE STRUCTURAL MISC. DETAIL SHEET FOR REBAR SIZE & SPLICE LENGTHS.
 4. DIAGONAL DIMENSION - 213 1/8"
 5. ALL REBAR TO BE TIED AT EACH CROSS OVER.
 6. REFER 6-9 STRUCTURAL WALL SECTION DETAILS SHEET FOR CASTING DETAILS.

STRUCTURAL LAYOUT, SIDE PANEL - C
137.813 sq.ft.



REV.	BY	DATE	REVISION	APP.

THESE PLANS ARE THE CONFIDENTIAL PROPERTY AND TRADE SECRETS OF FIBREBOND CORPORATION. ANY USE OF THESE DRAWINGS OR THE INFORMATION CONTAINED HEREIN FOR ANY REASON OTHER THAN AS EXPRESSLY AUTHORIZED BY FIBREBOND CORPORATION IS STRICTLY PROHIBITED. THESE DRAWINGS HAVE BEEN DISTRIBUTED WITH THE UNDERSTANDING THAT ANYONE RECEIVING OR OTHERWISE OBTAINING POSSESSION OF THEM WILL BE EXPRESSLY NOTIFIED OF THEIR CONFIDENTIAL NATURE.

1300 DAVENPORT DRIVE, MINDEN, LA 71055 ph. (800) 824-2614 www.fibrebond.com				FIBREBOND	
ALL WEST COMMUNICATIONS				ISSUED FOR: *APPROVAL A.01*	
12' - 0" X 16' - 0" BUILDING				APPROVALS IN PDM DATABASE	
STRUCTURAL LAYOUT, SIDE PANEL-C				THIRD ANGLE PROJECTION	
DRN. BY: GD	DATE: 04-JAN-2021	APP. BY: PM	DATE:	SCALE: 1:24	SHEET NO.: 6-5
CHK. BY: JC	DATE:	APP. BY:	DATE:	SIZE: B	DWG NO.: D11401

ITEM NO	DESCRIPTION	QTY.	LENGTH
3.1	#3 REBAR	2	106"

ITEM NO	DESCRIPTION	QTY.	LENGTH	WIDTH
7.1	FOAM	1	98"	42"
7.2	FOAM	1	80 1/2"	24"

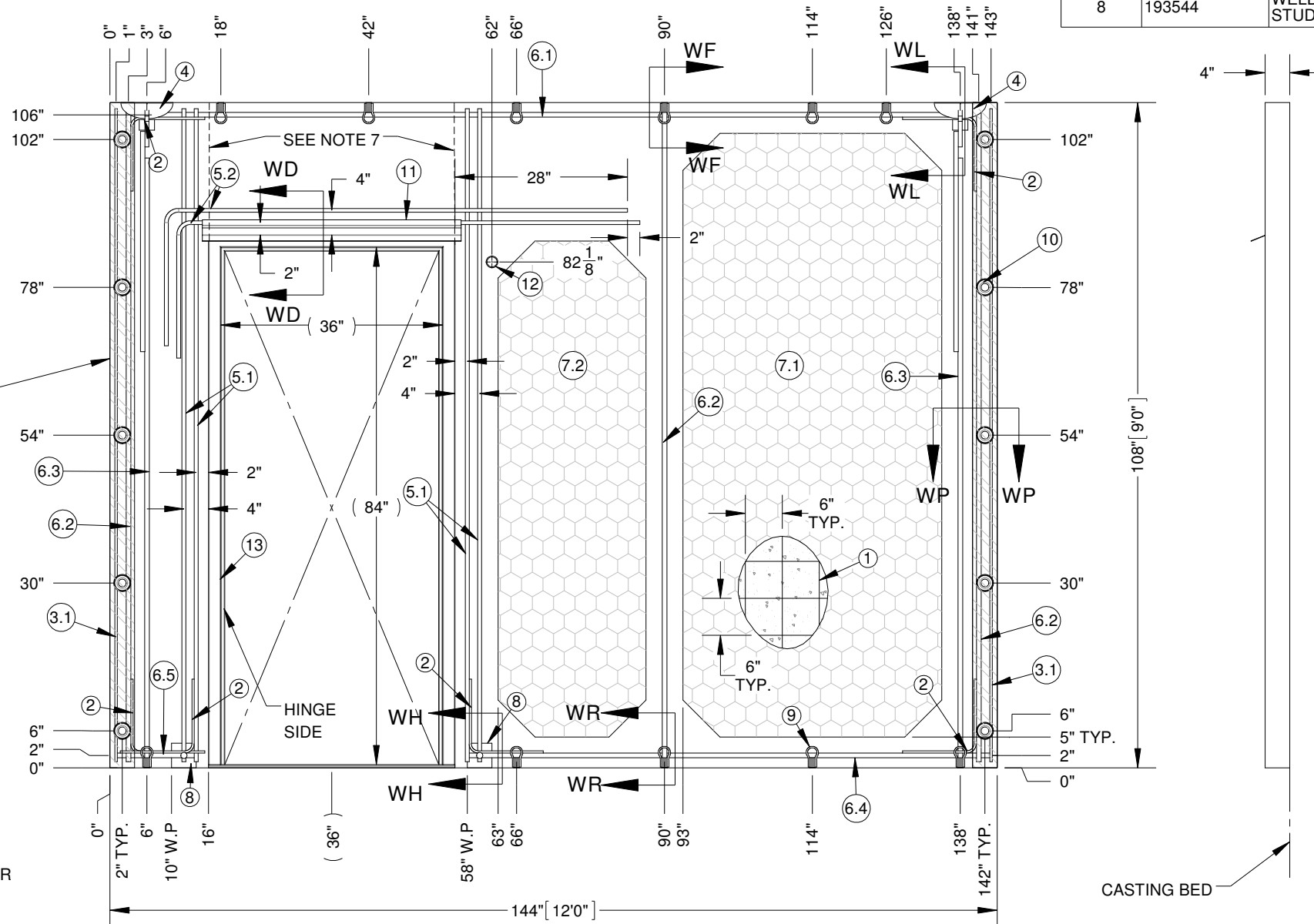
ITEM NO.	PART NUMBER	DESCRIPTION	QTY.
9	806-11377	Insert, 5/8"-11 (F-42) 122450 (USA - 100%)	11
10	-	POCKET FORMER	10
11	847-00345	DRIP STRIP, 42" CAST-IN 18 GAUGE GALVANIZED STEEL, EDGES SPRAYED COLD GALV	1
12	-	1 1/2" SCH 40 PVC PENETRATION CAST STRAIGHT THROUGH	1
13	198681	DOOR FRAME ASSEMBLY 3070 RH 4 INCH 14 GAUGE GALVANIZED SINGLE RABBET WITH 1/2 INCH C CHANNEL PREMIER	1

ITEM NO.	PART NUMBER	DESCRIPTION	QTY.
1	810-11400	WIRE MESH, 11'-6"X 20'-0" D5-D5	0.47
2	810-11450	REBAR BEND, #3 X 24" 90 DEG	6
3	810-11442	REBAR, #3 (3/8") GRADE 60	17.67
4	198228	ERECTION HEAD ANCHOR ASSY WITH SHEAR PLATE, 3'-0"	2
5	810-40462	REBAR, #5 (5/8") GRADE 60	51.33
6	810-11443	REBAR, #6 (3/4") GRADE 60	61.67
7	809-13622	EPS PURCHASE FOAM INSULATION - 98" X 42" X 1 1/2"	-
8	193544	WELD PLATE ASSY 3/8" X 4" X 4" W/ 1/2" X 2 5/8" NELSON STUD	2

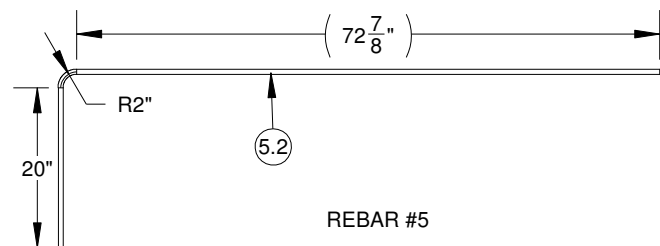
ITEM NO	DESCRIPTION	QTY.	LENGTH
5.1	#5 REBAR	4	106"
5.2	#5 REBAR	2	96"

ALL FOAM CORNERS ARE TO BE CHAMFERED 6"

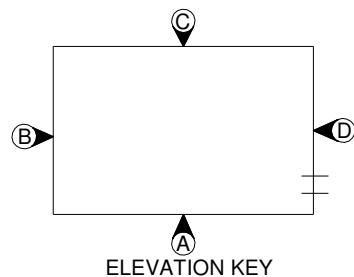
ITEM NO	DESCRIPTION	QTY.	LENGTH
6.1	#6 REBAR	1	128"
6.2	#6 REBAR	3	106"
6.3	#6 REBAR	2	98"
6.4	#6 REBAR	1	85"
6.5	#6 REBAR	1	13"



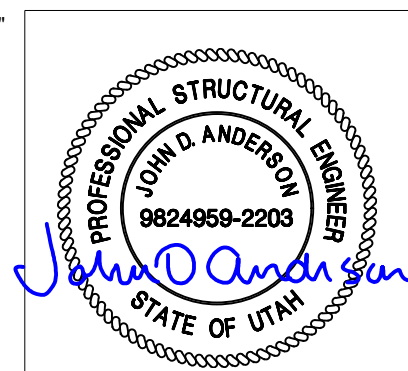
NO RETARDER ON 4" EACH SIDE FOR CORNER POST SEE STRUCTURAL MISC. DETAIL SHEET



- NOTES:
1. TYPICAL 4" WALL PANEL; SEE MISC. DETAIL SHEET.
 2. END PANEL CAST EXTERIOR SIDE UP.
 3. ALL REBAR GRADE 60 TYPICAL; SEE MISC. DETAIL SHEET FOR REBAR SIZE & SPLICE LENGTHS.
 4. DIAGONAL DIMENSION- 180"
 5. ALL REBAR TO BE TIED AT EACH CROSS OVER.
 6. REFER 6-9 WALL SECTION DETAILS SHEET FOR CASTING DETAILS.
 7. FOR ALL AGGREGATE FINISHES: FLOAT INCONTROL JOINT FB#816-22500. CAULK SEAM. FOR ALL OTHER FINISHES: SAW CUT 1/8" WIDE x 1/8" DEEP CONTROL JOINT.



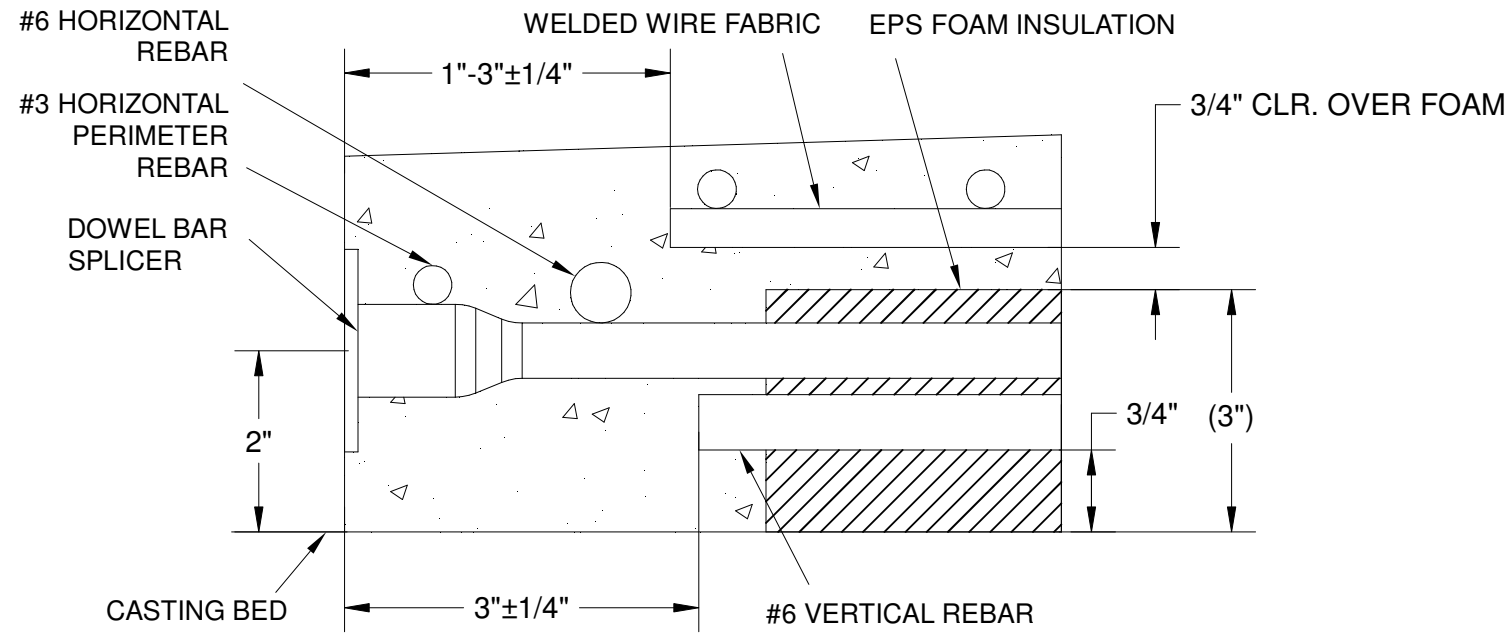
STRUCTURAL LAYOUT, END PANEL - D
108.00 sq.ft.



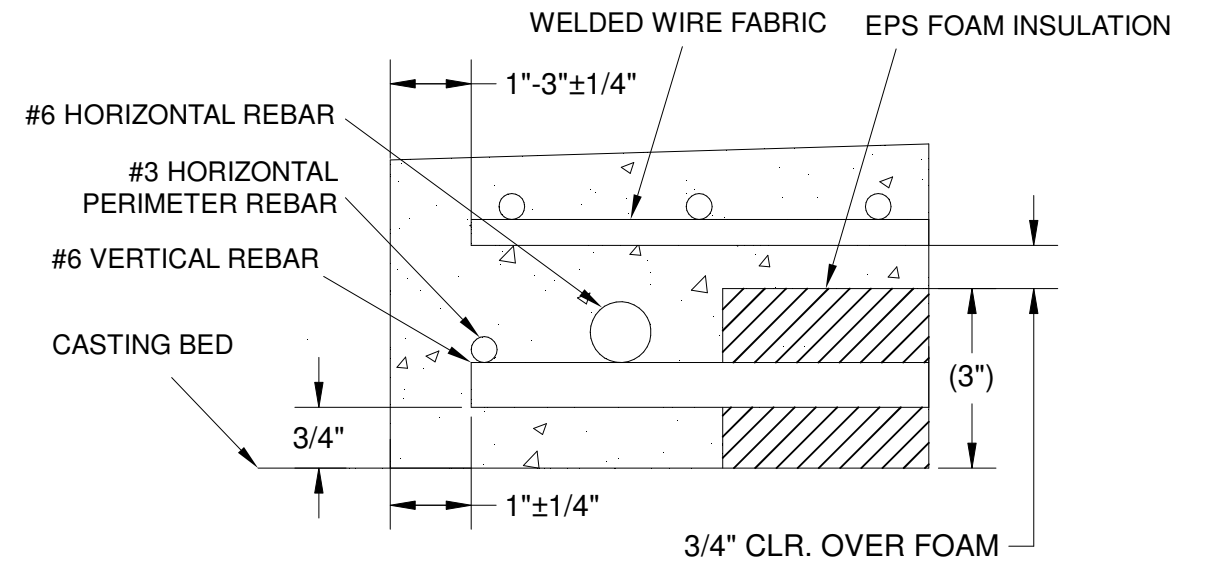
REV.	BY	DATE	REVISION	APP.

THESE PLANS ARE THE CONFIDENTIAL PROPERTY AND TRADE SECRETS OF FIBREBOND CORPORATION. ANY USE OF THESE DRAWINGS OR THE INFORMATION CONTAINED HEREIN FOR ANY REASON OTHER THAN AS EXPRESSLY AUTHORIZED BY FIBREBOND CORPORATION IS STRICTLY PROHIBITED. THESE DRAWINGS HAVE BEEN DISTRIBUTED WITH THE UNDERSTANDING THAT ANYONE RECEIVING OR OTHERWISE OBTAINING POSSESSION OF THEM WILL BE EXPRESSLY NOTIFIED OF THEIR CONFIDENTIAL NATURE

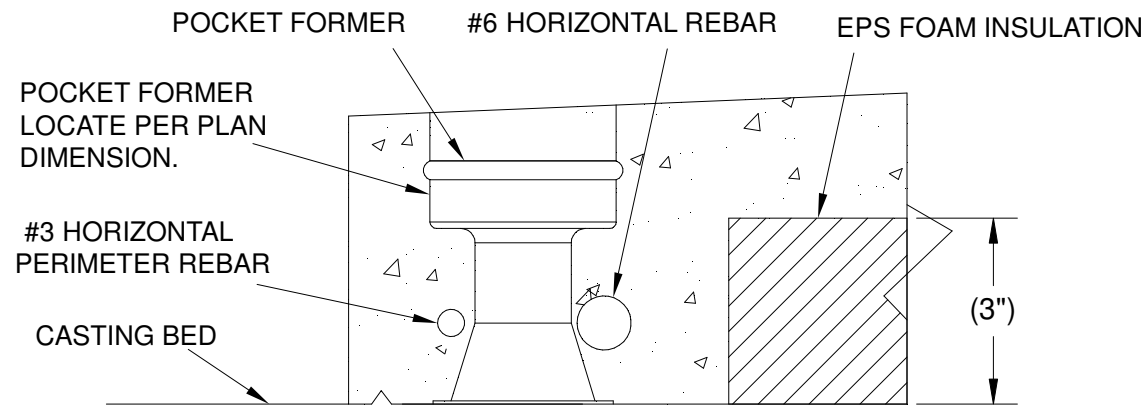
1300 DAVENPORT DRIVE, MINDEN, LA 71055 ph. (800) 824-2614 www.fibrebond.com				FIBREBOND	
ALL WEST COMMUNICATIONS				ISSUED FOR: *APPROVAL A.01*	
12' - 0" X 16' - 0" BUILDING				APPROVALS IN PDM DATABASE	
STRUCTURAL LAYOUT, END PANEL - D				THIRD ANGLE PROJECTION	
DRN. BY: GD	DATE: 04-JAN-2021	APP. BY: PM	DATE:	SCALE: 1:24	SHEET NO.: 6-6
CHK. BY: JC	DATE:	APP. BY:	DATE:	SIZE: B	DWG NO.: D11401



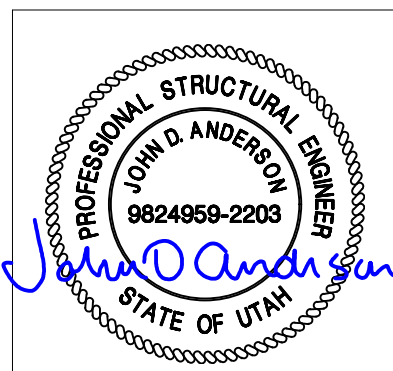
**DOWEL BAR DETAIL
SECTION RB-RB**



**REBAR CASTING DETAIL
SECTION RR-RR**



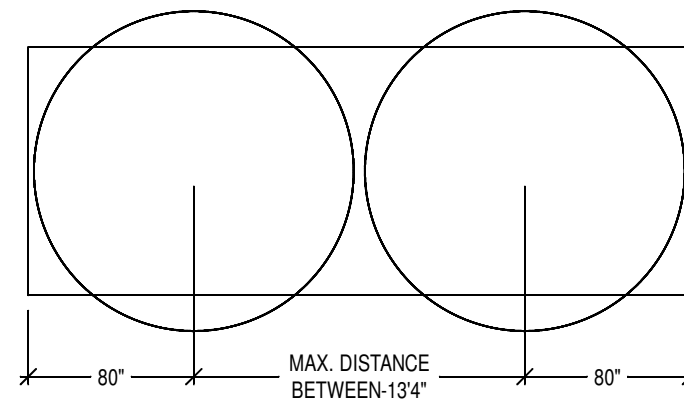
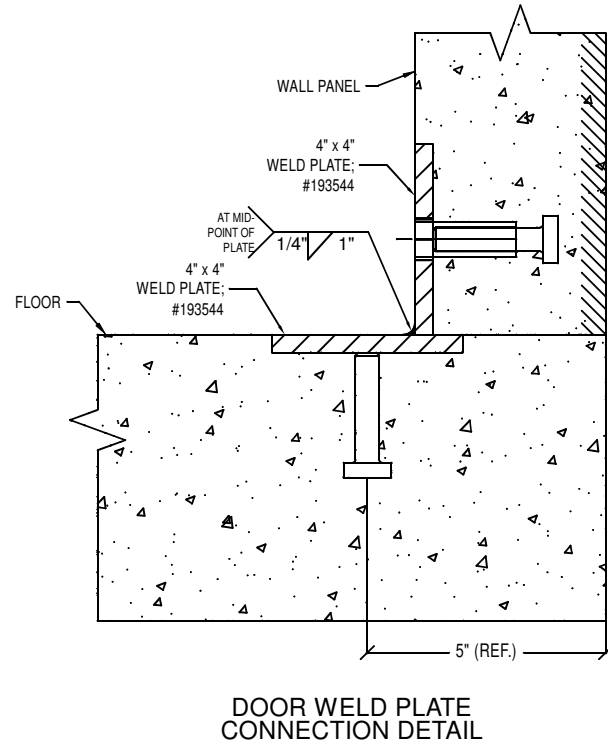
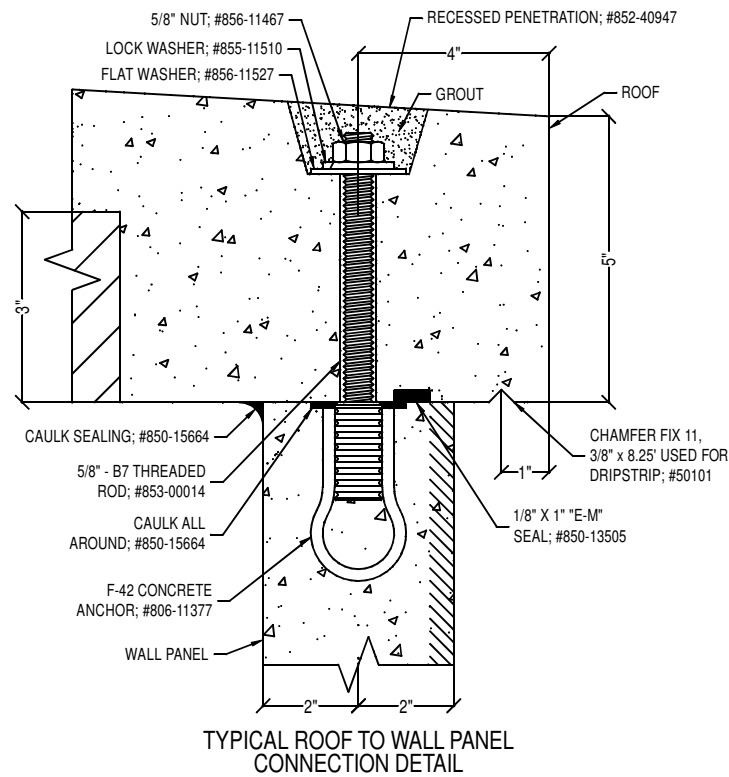
**POCKET FORMER DETAIL
SECTION RA-RA**



REV.	BY	DATE	REVISION	APP.

THESE PLANS ARE THE CONFIDENTIAL PROPERTY AND TRADE SECRETS OF FIBREBOND CORPORATION. ANY USE OF THESE DRAWINGS OR THE INFORMATION CONTAINED HEREIN FOR ANY REASON OTHER THAN AS EXPRESSLY AUTHORIZED BY FIBREBOND CORPORATION IS STRICTLY PROHIBITED. THESE DRAWINGS HAVE BEEN DISTRIBUTED WITH THE UNDERSTANDING THAT ANYONE RECEIVING OR OTHERWISE OBTAINING POSSESSION OF THEM WILL BE EXPRESSLY NOTIFIED OF THEIR CONFIDENTIAL NATURE.

1300 DAVENPORT DRIVE, MINDEN, LA 71055 ph. (800) 824-2614 www.fibrebond.com				FIBREBOND	
ALL WEST COMMUNICATIONS				ISSUED FOR: *APPROVAL A.01*	
12' - 0" X 16' - 0" BUILDING				APPROVALS IN PDM DATABASE	
STRUCTURAL ROOF SECTION DETAILS				THIRD ANGLE PROJECTION	
DRN. BY: GD	DATE: 04-JAN-2021	APP. BY: PM	DATE:	SCALE: NTS	SHEET NO.: 6-7
CHK. BY: JC	DATE:	APP. BY:	DATE:	SIZE: B	DWG NO.: D11401



"D" RING INSTALLATION

BUILDING SIZE	D-RINGS
13' or LESS	1
14' or 20'	2
21' or 26'	3
27' or 40'	4

PANEL VOLUME / WEIGHT SCHEDULE

PANEL	APPROX. VOL. (yds.)		APPROX. WT. (lbs.)	
	LT. WT.	NORMAL	LT. WT.	NORMAL
ROOF	2.60		8454	
FLOOR	2.23		7534	
PANEL "A"	1.22		4025	
PANEL "B"	0.98		3256	
PANEL "C"	1.22		4028	
PANEL "D"	0.83		2810	
TOTAL	9.07		≈ 30107	

Refer to individual Structural Layout sheet for actual panel size

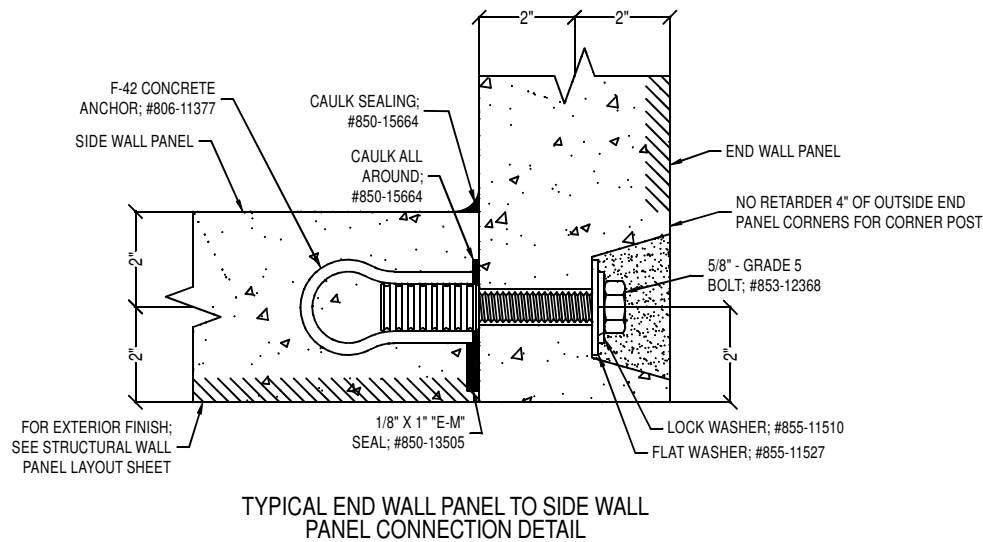
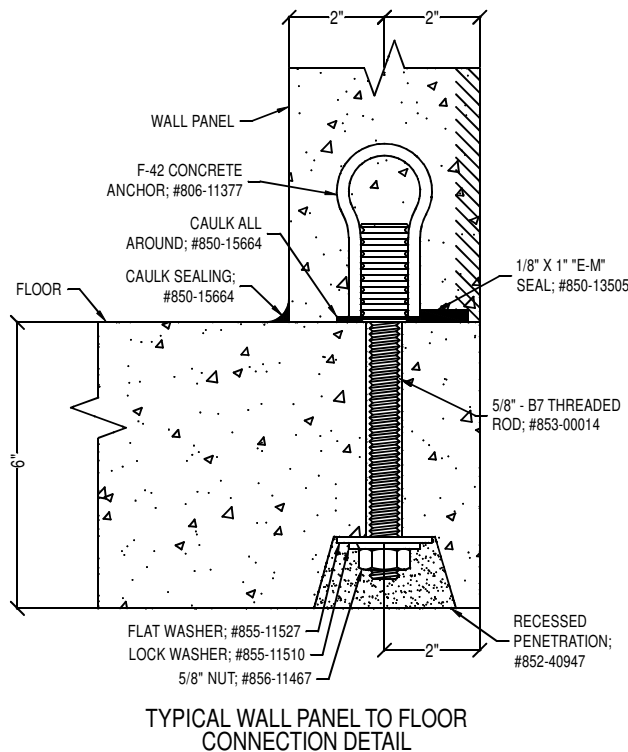
Note:

Building weight is an approximation and shall not be used for Offloads or Shipping. Contact Fibrebond Corporation's Transportation Department for correct transportation weights.

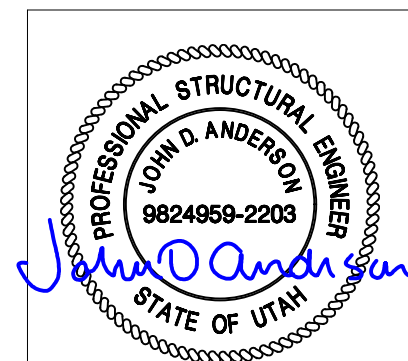
REINFORCING SPLICE SCHEDULE

SIZE	LIGHTWEIGHT CONCRETE	NORMAL WEIGHT CONCRETE
WWF	8"	8"
#2	12"	12"
#3	17"	13"
#4	22"	17"
#5	28"	22"
#6	33"	26"

Stagger splice locations 2X splice length in adjacent bars



TOTAL SQ. FT. ALL PANELS: 885.07



REV.	BY	DATE	REVISION	APP.

1300 DAVENPORT DRIVE, MINDEN, LA 71055
ph. (800) 824-2614 www.fibrebond.com

FIBREBOND

ALL WEST COMMUNICATIONS

12' - 0" X 16' - 0" BUILDING

STRUCTURAL MISC. DETAILS

DRN BY: GD DATE: 04-JAN-2021 APP BY: PM

CHK BY: JC

ISSUED FOR: *APPROVAL A.01*

APPROVALS IN PDM DATABASE

THIRD ANGLE PROJECTION

SCALE: NTS SHEET NO.: 6-10

SIZE: B DWG NO.: D11401

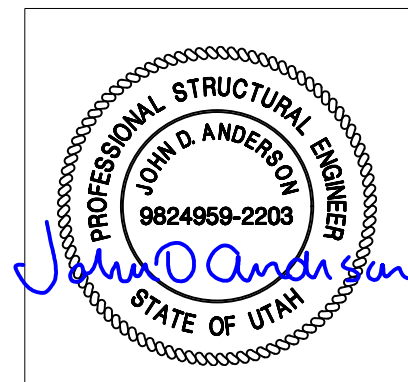
THESE PLANS ARE THE CONFIDENTIAL PROPERTY AND TRADE SECRETS OF FIBREBOND CORPORATION. ANY USE OF THESE DRAWINGS OR THE INFORMATION CONTAINED HEREIN FOR ANY REASON OTHER THAN AS EXPRESSLY AUTHORIZED BY FIBREBOND CORPORATION IS STRICTLY PROHIBITED. THESE DRAWINGS HAVE BEEN DISTRIBUTED WITH THE UNDERSTANDING THAT ANYONE RECEIVING OR OTHERWISE OBTAINING POSSESSION OF THEM WILL BE EXPRESSLY NOTIFIED OF THEIR CONFIDENTIAL NATURE.

PART NUMBER	DESCRIPTION	QTY	MFG1	MFG#1
837-00119	DRIP STRIP, MARVAIR & BARD 4 THRU 6 TON 46" PAINTED AC	1		
837-01158	HVAC, MARVAIR 6 TON 10 EER 1PH 5K WITH ECONOMIZER R410A #MGA1072AA050C++1+1CA+A11+++++	1	Marvair	MGA1072AA050C++1+1CA+A11+++++
837-11382	GRILL, 30" X 10" SUPPLY, #GR-L-VH-3010	1	11382 - Tuttle & Bailey	A64 3/4" SPACING
837-11388	GRILL, 30" X 16" RETURN AIR, #GR-L-RA-3016	1	11388 - Tuttle & Bailey	A70D 3/4" SPACING
841-00180	KIT, GENUINE FIRST AID 10 PERSON #FA-10P (34WK73)D	1	Genuine First Aid	FA-10PD
841-10007	PLATE, 4" X 6" BLUE PLASTIC	1		
841-13867	TRAY, WALL POCKET (USA)	1		DEFLECTO 63202 SMOKE, 12/CTN
842-00220	BRACKET KIT, TE CONNECTIVITY COMMSCOPE 5/8" THREADED ROD FIBER TRAY #FGS-HNTR-5/8 / 1176647	23	COMMSCOPE	
842-00221	FIBER TRAY, TE CONNECTIVITY COMMSCOPE STRAIGHT EXTENSION TROUGH SECTION YELLOW #FGS-MSHS-B / 1135504	3	COMMSCOPE	
842-00226	Tee Cover Kit, TE Connectivity 4" x 6" Yellow Snap-On Fiber Tray #FGS-SHRT-B / 1059403	6	TE Connectivity	FGS-SHRT-B/1059403
846-00664	DOOR, PREMIER 3070 LHR 16G GALV CY PREP 35 3/4" STANDARD HINGE SERIES POLYSTYRENE CORE #S16-4	1		S16-4
847-00861	CLOSER, DESIGN HARDWARE OPENING RANGE SET TO 90 TO 180 DEGREE, UP TO 187LB DOOR #116 SERIES AL, DOOR	1		116 SERIES AL
847-00862	CLOSER ARM, DESIGN HARDWARE #116 SERIES AL ADJUSTABLE TYPE HOLD OPEN ARM DOOR	1		316/116 AL ADJUSTABLE HO ARM
847-10789	LOCK, BEST DEADBOLT #83T-7-K-STK-626 LESS CORE	1	BEST	83T-7-K-STK-626-LESS CORE
847-11050	HANDLE, SIERRA PACIFIC DOOR PULL (5-1/2") FORMED PULL ZINC PLATED #917	2		ROCKWOOD - ALUMINUM
847-11073	HINGE, 4.5" X 4.5" .134 THICKNESS S/S BB NRP (CHN), #CS4545BBNRP-32D	3	GLOBAL	CS4545BBNRP-32D
847-11800	CORE, BEST SFIC CONSTRUCTION, DARK GREEN 7 PIN	1	BEST	
847-12348	THRESHOLD, PEMKO 3 1/2" X 36" ALUMINUM PANIC BUMPER SEAL #1855AV	1	Pemko	
847-12569	DOOR SWEEP, PEMKO 36" CLEAR ANODIZED ALUMINUM/RUBBER #321-NC-36	1	Pemko	321CN36, 50/Box
847-22816	LOCKGUARD, 6 1/4" X 7" HEAVY DUTY 12 GAUGE CUSTOM IMPORT	1		Import, 25/case
847-23485	WEATHERSTRIP, PEMKO 3070 3-PC MAGNET (INT) #2815CM3684	1	Pemko	2815CM36
848-00070	DETECTOR, GENTEX SMOKE ALARM 120VAC/9VDC W/RELAY, #S1209F 917-0057-002	1	GENTEX	S1209F
848-11351	CONTACTS, GEORGE RISK INDUSTRIES SPDT FORM C GRAY DOOR #29C	1	GRI	GRI 29C
849-22543	EXTINGUISHER AMEREX 10 LB C02 10B:C 330 INCLUDES WALL HANGER	1	AMEREX	

PACKING LIST

ITEM#	QTY.	FIBREBOND PART#	MFG'S PART#	MANUFACTURER	DESCRIPTION
-	4	197788		FINE	TIEDOWN, PLATE FOUNDATION 1/2" X 10" X 12" GALVANIZED W/1 1/16" & 7/8" HOLES
-	1	838-00345	CUMMINS		GENERATOR, CUMMINS 36KW, NG FUELED, EXTERIOR, 120/240V, 1PH, #C36N6
-	1	841-50030		143-9470	BRUSH; 1" PAINT (#474)
-	6	850-00226	PRAIRIE	UROFLEX MS-30	CAULK, PRUROFLEX MS-30 ADHESIVE/SEALANT 10.3 OZ CARTRIDGE - PRARIE TORQUE TAN
-	0.25 GAL	851-00263	Thorolastic	FINE	PAINT, THOROLASTIC MESA TAN
-	8	854-00036		STB2-75614	ANCHOR, 3/4" X 6 1/4" SIMPSON STRONG BOLT 2, ICCES APPROVED STB2-75614

* VARIES WITH SIZE OF BLDG., SEE SEQUENCE 80



REV.	BY	DATE	REVISION	APP.

THESE PLANS ARE THE CONFIDENTIAL PROPERTY AND TRADE SECRETS OF FIBREBOND CORPORATION. ANY USE OF THESE DRAWINGS OR THE INFORMATION CONTAINED HEREIN FOR ANY REASON OTHER THAN AS EXPRESSLY AUTHORIZED BY FIBREBOND CORPORATION IS STRICTLY PROHIBITED. THESE DRAWINGS HAVE BEEN DISTRIBUTED WITH THE UNDERSTANDING THAT ANYONE RECEIVING OR OTHERWISE OBTAINING POSSESSION OF THEM WILL BE EXPRESSLY NOTIFIED OF THEIR CONFIDENTIAL NATURE

1300 DAVENPORT DRIVE, MINDEN, LA 71055 ph. (800) 824-2614 www.fibrebond.com				FIBREBOND	
ALL WEST COMMUNICATIONS				ISSUED FOR: *APPROVAL A.01*	
12' - 0" X 16' - 0" BUILDING				APPROVALS IN PDM DATABASE	
BILL OF MATERIALS				THIRD ANGLE PROJECTION	
DRN. BY: GD	DATE: 27-NOV-2020	APP. BY: PM	DATE:	SCALE NTS	SHEET NO: 8-2
CHK. BY: JC	DATE:	APP. BY:	DATE:	SIZE B	DWG NO.: D11401