



Maser Consulting
2000 Midlantic Avenue, Suite 100
Mount Laurel, NJ 08054
(856) 797-0412
KRoss@maserconsulting.com

Antenna Mount Analysis Report and PMI Requirements

Mount Analysis

SMART Tool Project #: 10025781
Maser Consulting Project #: 20779252A

December 30, 2020

Site Information

Site ID: 289912-VZW / Rulon
Site Name: Rulon
Carrier Name: Verizon Wireless
Address: 2367 Rulon White Blvd
Ogden, Utah 84404
Weber County
Latitude: 41.298917°
Longitude: -112.015186°

Structure Information

Tower Type: 146-Ft Monopole
Mount Type: 15.00-Ft Platform

FUZE ID # 16241802

Analysis Results

Platform: 93.7% Pass

*****Contractor PMI Requirements:**

Included at the end of this MA report

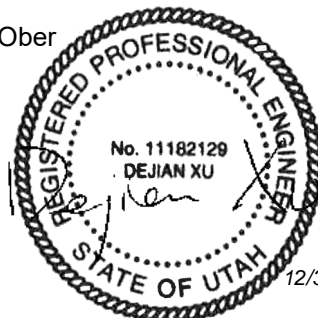
Available & Submitted via portal at <https://pmi.vzwsmart.com>

Contractor - Please Review Specific Site PMI Requirements Upon Award

Requirements also Noted on Mount Modification Drawings

Requirements may also be Noted on A & E drawings

Report Prepared By: Nathaniel Ober



12/31/2020

Executive Summary:

The objective of this report is to determine the capacity of the antenna support mount at the subject facility for the final wireless telecommunications configuration, per the applicable codes and standards. Any modification listed under Sources of Information was assumed completed and was included in this analysis.

This analysis is inclusive of the mount structure only, and does not address the structural capacity of the supporting structure. This mounting frame was not analyzed as an anchor attachment point for fall protection. All climbing activities are required to have a fall protection plan completed by a competent person.

Sources of Information:

Document Type	Remarks
<i>Radio Frequency Data Sheet (RFDS)</i>	<i>Verizon RFDS Site ID: 2441099, dated November 11, 2020</i>
<i>Mount Mapping Report</i>	<i>RKS Design & Engineering LLC, Site ID: ATC: UT-310320, dated December 14, 2020</i>

Analysis Criteria:

Codes and Standards:	ANSI/TIA-222-H
Wind Parameters:	Basic Wind Speed (Ultimate 3-sec. Gust), V_{ULT} : 103 mph
	Ice Wind Speed (3-sec. Gust): 40 mph
	Design Ice Thickness: 0.25 in
	Risk Category: II
	Exposure Category: C
	Topographic Category: 1
	Topographic Feature Considered: N/A
	Topographic Method: N/A
	Ground Elevation Factor, K_e : 0.856
Seismic Parameters:	S_s : 1.473
	S_1 : 0.533
Maintenance Parameters:	Wind Speed (3-sec. Gust): 30 mph
	Maintenance Live Load, L_v : 250 lbs.
	Maintenance Live Load, L_m : 500 lbs.
Analysis Software:	RISA-3D (V17)

Final Loading Configuration:

The following equipment has been considered for the analysis of the mount:

Mount Elevation (ft)	Equipment Elevation (ft)	Quantity	Manufacturer	Model	Status
146.00	147.00	3	Ericsson	VZE01	Added
		8	Commscope	NHH-45C-R2B	Retained
		4	Ericsson	4449	
		4	Ericsson	8843	
		2	Raycap	RRODC-3315-PF-48	
		1	RFS	SB2-107CC	

Standard Conditions:

1. All engineering services are performed on the basis that the information provided to Maser Consulting and used in this analysis is current and correct. The existing equipment loading has been applied at locations determined from the supplied documentation. Any deviation from the loading locations specified in this report shall be communicated to Maser Consulting to verify deviation will not adversely impact the analysis.
2. Mounts are assumed to have been properly fabricated, installed and maintained in good condition, twist free and plumb in accordance with its original design and manufacturer’s specifications.

Obvious safety and structural issues/deficiencies noticed at the time of the mount mapping and reported in the Mount Mapping Report are assumed to be corrected and documented as part of the PMI process and are not considered in the mount analysis.

The mount analysis and the mount mapping are not a condition assessment of the mount. Proper maintenance and condition assessments are still required post analysis.

3. For mount analyses completed from other data sources (including new replacement mounts) and not specifically mapped by Maser Consulting, the mounts are assumed to have been properly fabricated, installed and maintained in good condition, twist free and plumb in accordance with its original design and manufacturer’s specifications.
4. All member connections are assumed to have been designed to meet or exceed the load carrying capacity of the connected member unless otherwise specified in this report.
5. The mount was checked up to, and including, the bolts that fasten it to the mount collar/attachment and threaded rod connections in collar members if applicable. Local deformation and interaction between the mount collar/attachment and the supporting tower structure are outside the scope of this analysis.
6. All services are performed, results obtained, and recommendations made in accordance with generally accepted engineering principles and practices. Maser Consulting is not responsible for the conclusion, opinions, and recommendations made by others based on the information supplied.

7. Structural Steel Grades have been assumed as follows, if applicable, unless otherwise noted in this analysis:
- o Channel, Solid Round, Angle, Plate ASTM A36 (Gr. 36)
 - o HSS (Rectangular) ASTM 500 (Gr. B-46)
 - o Pipe ASTM A53 (Gr. B-35)
 - o Threaded Rod F1554 (Gr. 36)
 - o Bolts ASTM A325

Discrepancies between in-field conditions and the assumptions listed above may render this analysis invalid unless explicitly approved by Maser Consulting.

Analysis Results:

Component	Utilization %	Pass/Fail
<i>Face Horizontal</i>	<i>28.5%</i>	<i>Pass</i>
<i>Standoff Arm</i>	<i>56.7%</i>	<i>Pass</i>
<i>Cross Arm</i>	<i>91.5%</i>	<i>Pass</i>
<i>Grating Support</i>	<i>92.2%</i>	<i>Pass</i>
<i>Support Rail</i>	<i>29.7%</i>	<i>Pass</i>
<i>Threaded Rods</i>	<i>93.7%</i>	<i>Pass</i>
<i>Mount Pipe</i>	<i>69.1%</i>	<i>Pass</i>
<i>Connection</i>	<i>75.3%</i>	<i>Pass</i>

Structure Rating – (Controlling Utilization of all Components)	93.7%
---	--------------

Recommendation:

The existing mount is **SUFFICIENT** for the final loading configuration and do not require modifications.

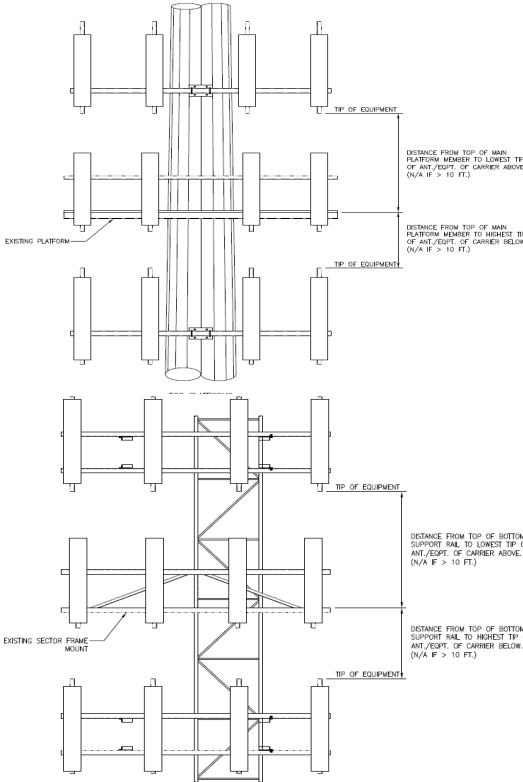
ANSI/ASSP rigging plan review services compliant with the requirements of ANSI/TIA 322 are available for a Construction Class IV site or other, if required. Separate review fees will apply.

Attachments:

1. Mount Photos
2. Mount Mapping Report (for reference only)
3. Analysis Calculations
4. **Contractor Required Post Installation Inspection (PMI) Report Deliverables**
5. Antenna Placement Diagrams



Mount Azimuth (Degree) for Each Sector		Tower Leg Azimuth (Degree) for Each Sector		Sector B																
Sector A:	50.00	Deg	Leg A:		Deg	Ant _{1a}														
Sector B:	170.00	Deg	Leg B:		Deg	Ant _{1b}														
Sector C:	290.00	Deg	Leg C:		Deg	Ant _{1c}														
Sector D:		Deg	Leg D:		Deg	Ant _{2a}														
Climbing Facility Information						Ant _{2b}														
Location:	170.00	Deg		N/A		Ant _{2c}														
Climbing Facility	Corrosion Type:			N/A		Ant _{3a}														
	Access:			Climbing path was unobstructed.		Ant _{3b}														
	Condition:			Good condition.		Ant _{3c}														
						Ant _{4a}	RADIO 4449	13.00	10.00	15.00		148.313	40.50	-11.00					377	
						Ant _{4b}	(2) NHH-45C-R2B	18.00	7.00	96.00		147.688	48.00	13.50	200.00				28,376	
						Ant _{4c}	RADIO 8843	13.00	11.00	15.00		148.313	40.50	-11.50					377	
						Ant _{5a}														
						Ant _{5b}														
						Ant _{5c}														
						Ant on Standoff														
						Ant on Standoff														
						Ant on Tower														
						Ant on Tower														
						Sector C														
						Ant _{1a}	RADIO 4449	13.00	10.00	15.00		148.333	40.50	-11.00					382	
						Ant _{1b}	(2) NHH-45C-R2B	18.00	7.00	96.00		147.708	48.00	13.50	290.00				36,383	
						Ant _{1c}	RADIO 8843	13.00	11.00	15.00		148.333	40.50	-11.50					382	
						Ant _{2a}														
						Ant _{2b}														
						Ant _{2c}														
						Ant _{3a}	RADIO 4449	13.00	10.00	15.00		147.458	50.00	6.00					385	
						Ant _{3b}	(2) NHH-45C-R2B	18.00	7.00	96.00		147.625	48.00	13.50	320.00				36,387	
						Ant _{3c}	RADIO 8843	13.00	11.00	15.00		147.458	50.00	-6.00					385	
						Ant _{4a}														
						Ant _{4b}														
						Ant _{4c}														
						Ant _{5a}														
						Ant _{5b}														
						Ant _{5c}														
						Ant on Standoff														
						Ant on Standoff														
						Ant on Tower														
						Ant on Tower														
						Sector D														
						Ant _{1a}														
						Ant _{1b}														
						Ant _{1c}														
						Ant _{2a}														
						Ant _{2b}														
						Ant _{2c}														
						Ant _{3a}														
						Ant _{3b}														
						Ant _{3c}														
						Ant _{4a}														
						Ant _{4b}														
						Ant _{4c}														
						Ant _{5a}														
						Ant _{5b}														
						Ant _{5c}														
						Ant on Standoff														
						Ant on Standoff														
						Ant on Tower														
						Ant on Tower														



Observed Safety and Structural Issues During the Mount Mapping		
Issue #	Description of Issue	Photo #

1	COAX : (3) TOTAL - (1) 1.28"Ø, (2) 1.50"Ø Hybrid	55
2		
3		
4		
5		
6		
7		
8		

Mapping Notes

1. Please report any visible structural or safety issues observed on the antenna mounts (Damaged members, loose connections, tilting mounts, safety climb issues, etc.)
2. If the thickness of the existing pipes or tubing can't be obtained from a general tool (such as Caliper), please use an ultrasonic measurement tool (thickness gauge) to measure the thickness.
3. Please create all required detail sketches of the mounts and insert them into the "Sketches" tab.
4. Please measure and enter the bolt sizes and types under the Members Box in the spreadsheet of the mount type.
5. Take and label the photos of the tower, mounts, connections, antennas and all measurements. Minimum 50 photos are required.
6. Please measure and report the size and length of all existing antenna mounting pipes.
7. Please measure and report the antenna information for all sectors.
8. Don't delete or rearrange any sheet or contents of any sheet from this mapping form.

Standard Conditions

1. Obvious safety and structural issues/deficiencies noticed at the time of the mount mapping are to be reported in this mapping. However, this mount mapping is not a condition assessment of the mount.



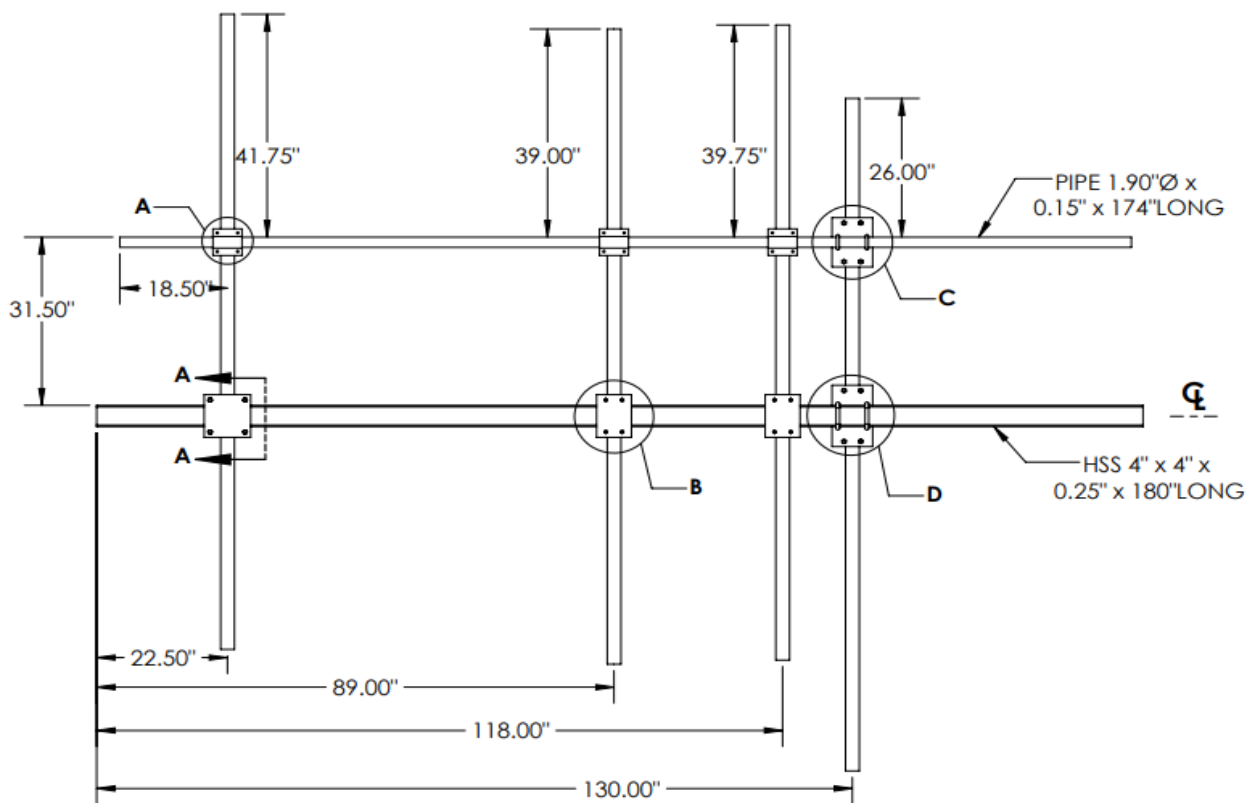
Antenna Mount Mapping Form (PATENT PENDING)

FCC #
1069670

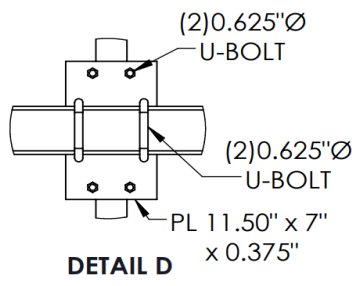
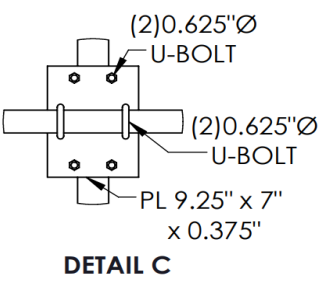
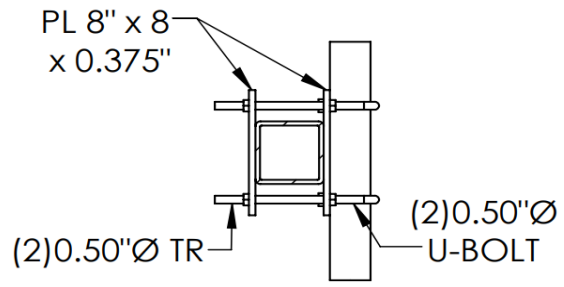
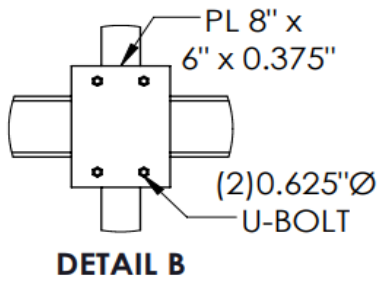
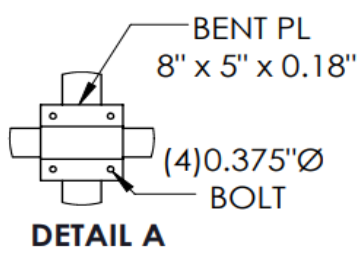
Tower Owner:	ATC	Mapping Date:	12-14-2020
Site Name:	ATC : NORTH OGDEN, VZW : SAL RULON	Tower Type:	Monopole
Site Number or ID:	ATC : UT-310320	Tower Height (Ft.):	145.83
Mapping Contractor:	RKS Design & Engineering LLC.	Mount Elevation (Ft.):	146.75

This antenna mapping form is the property of TES and under **PATENT PENDING**. The formation contained herein is considered confidential in nature and is to be used only for the specific customer it was intended for. Reproduction, transmission, publication, modification or disclosure by any method is prohibited except by express written permission of TES. All means and methods are the responsibility of the contractor and the work shall be compliant with ANSI/ASSE A 10.48, OSHA, FCC, FAA and other safety requirements that may apply. TES is not warranting the usability of the safety climb as it must be assessed prior to each use in compliance with OSHA requirements.

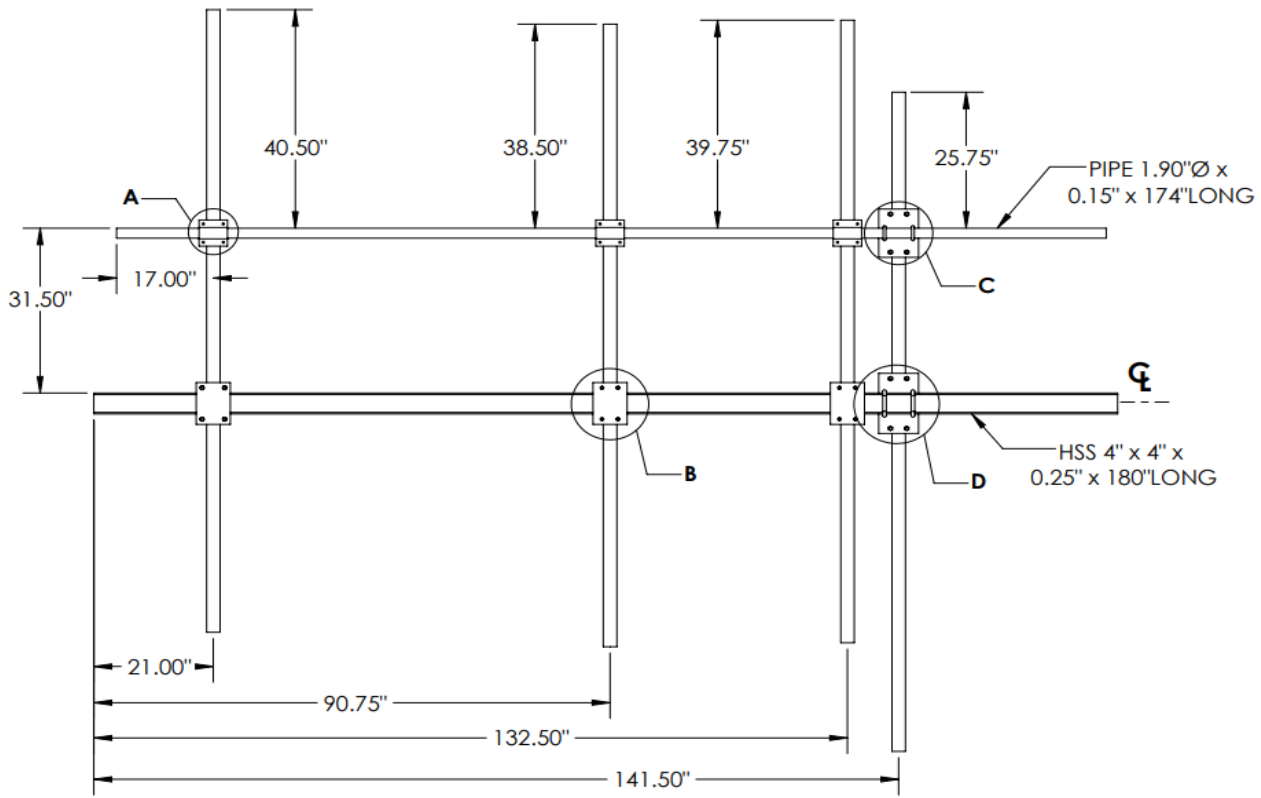
Please Insert Sketches of the Antenna Mount



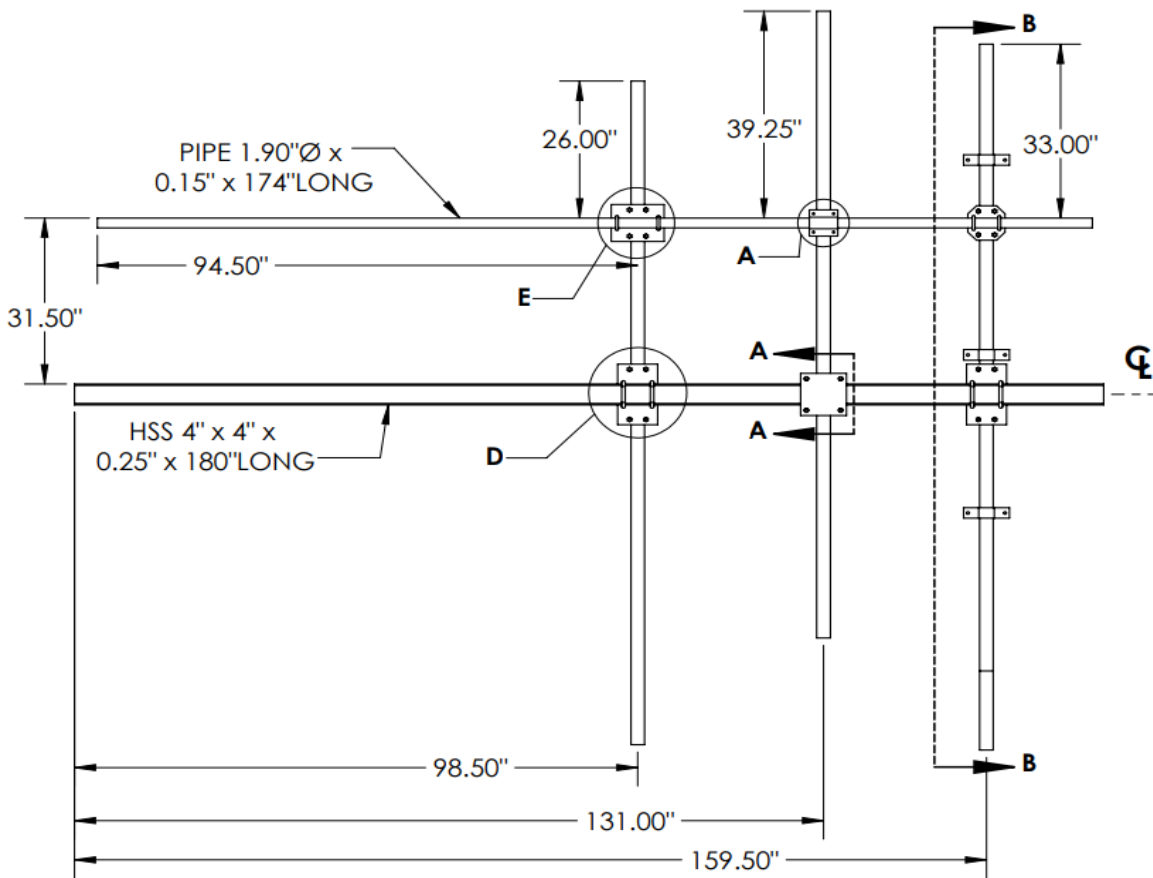
SECTOR : A



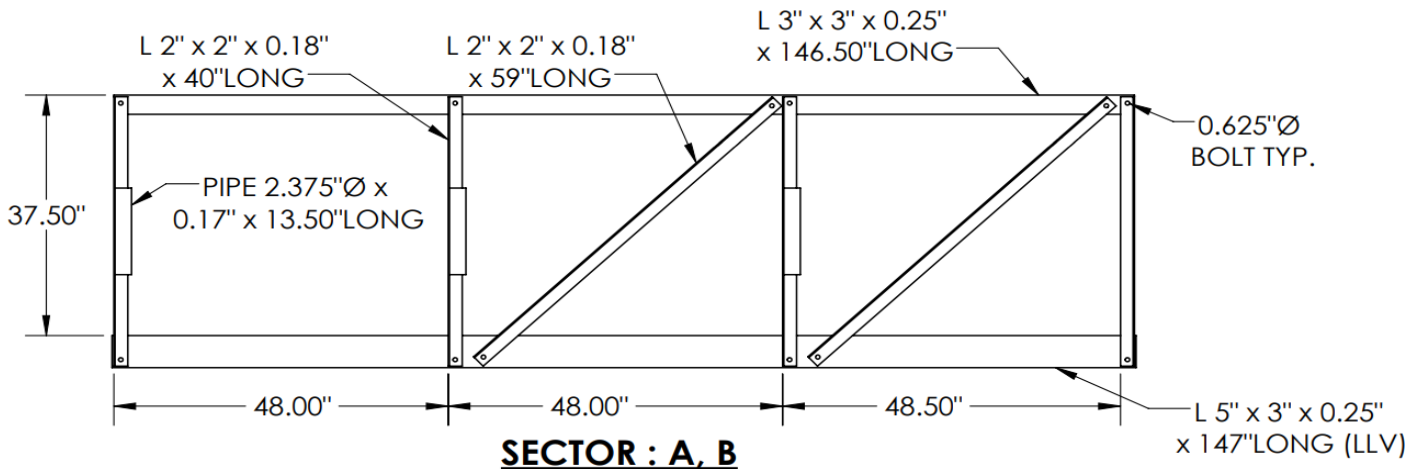
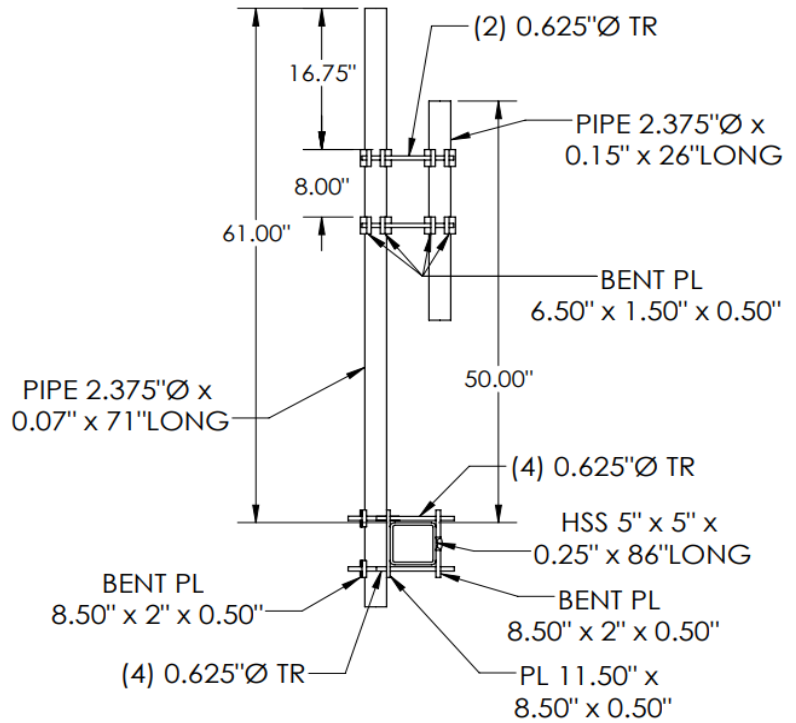
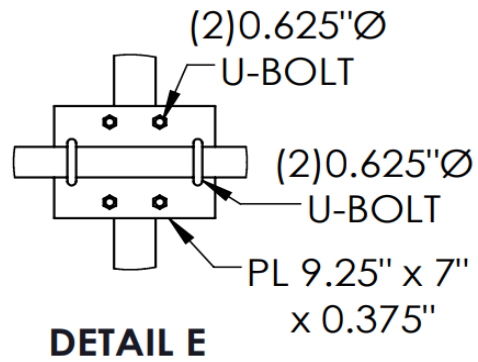
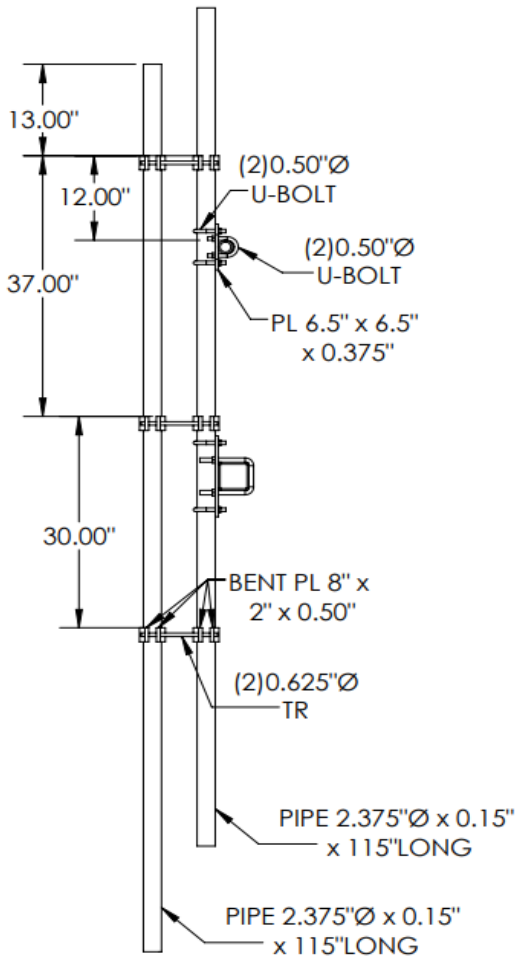
Please Insert Sketches of the Antenna Mount, cont'd

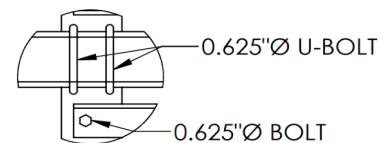
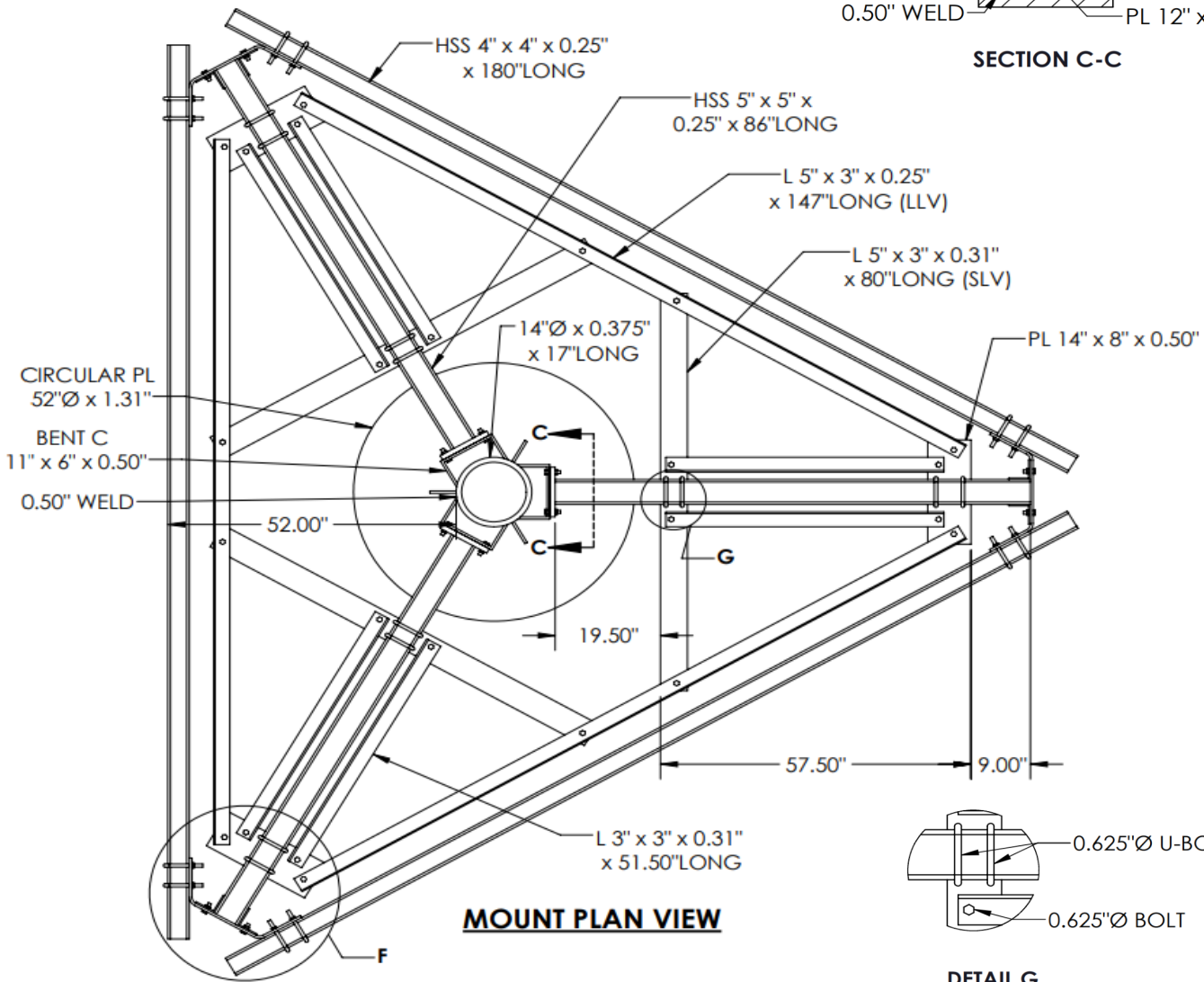
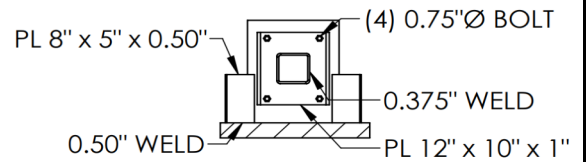
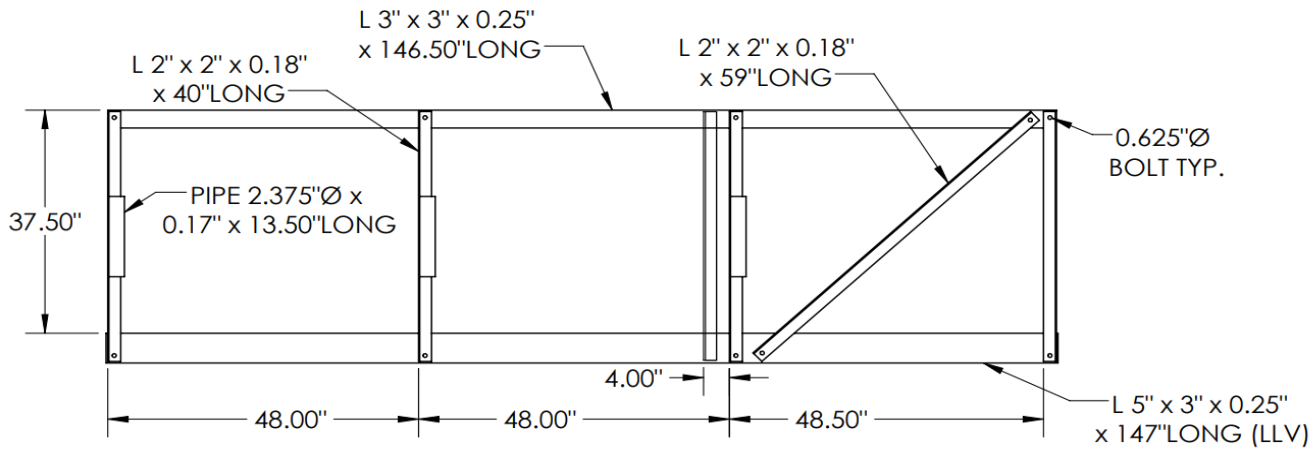


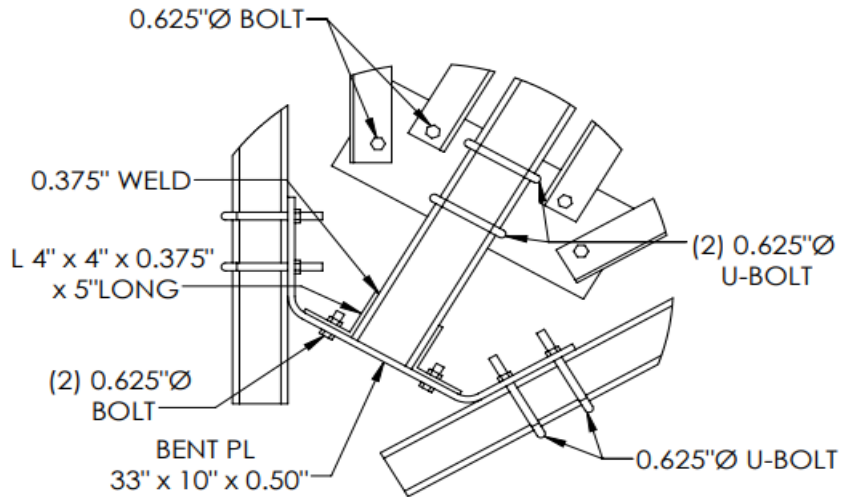
SECTOR : B



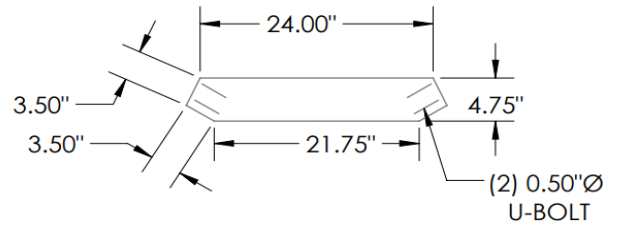
SECTOR : C



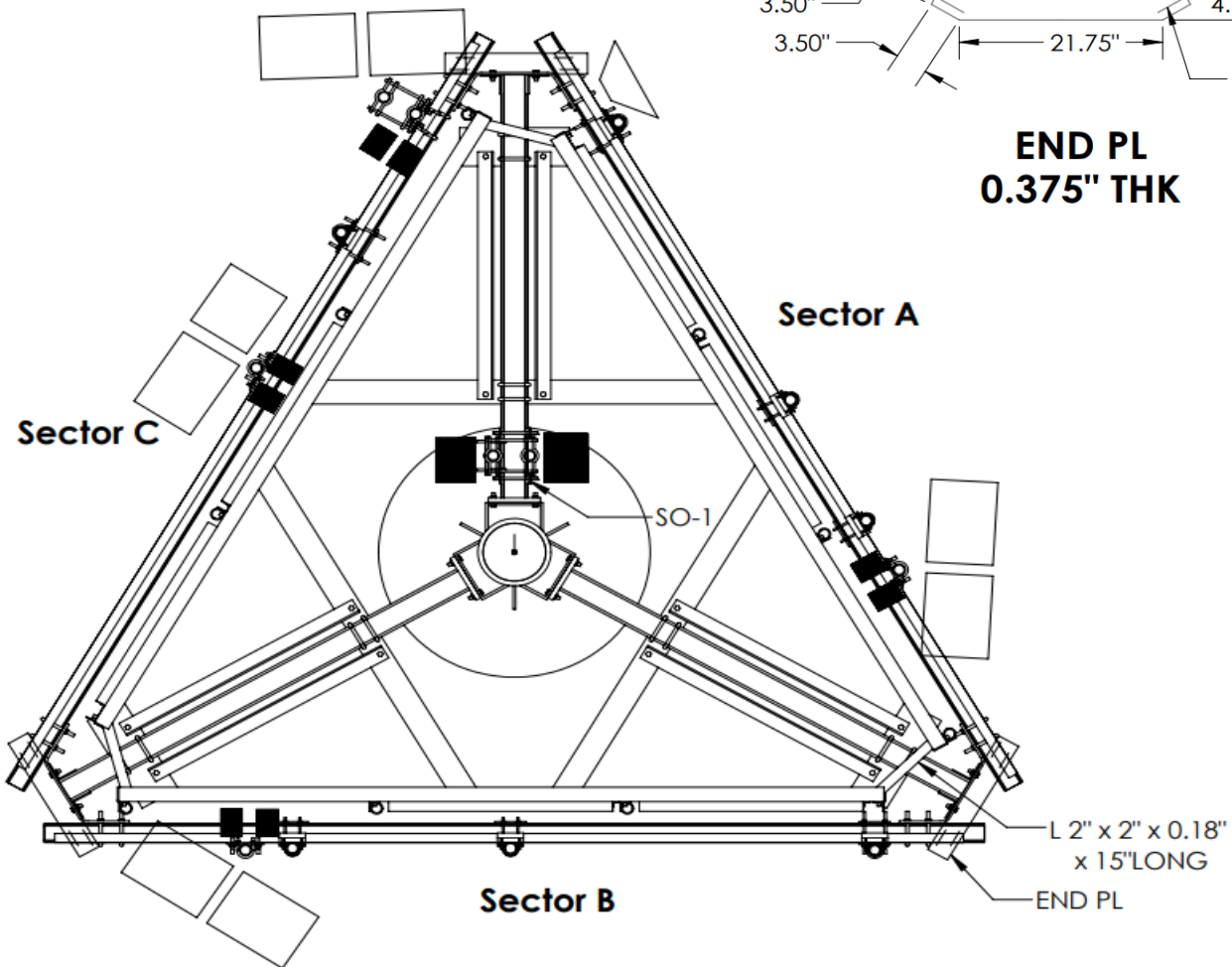




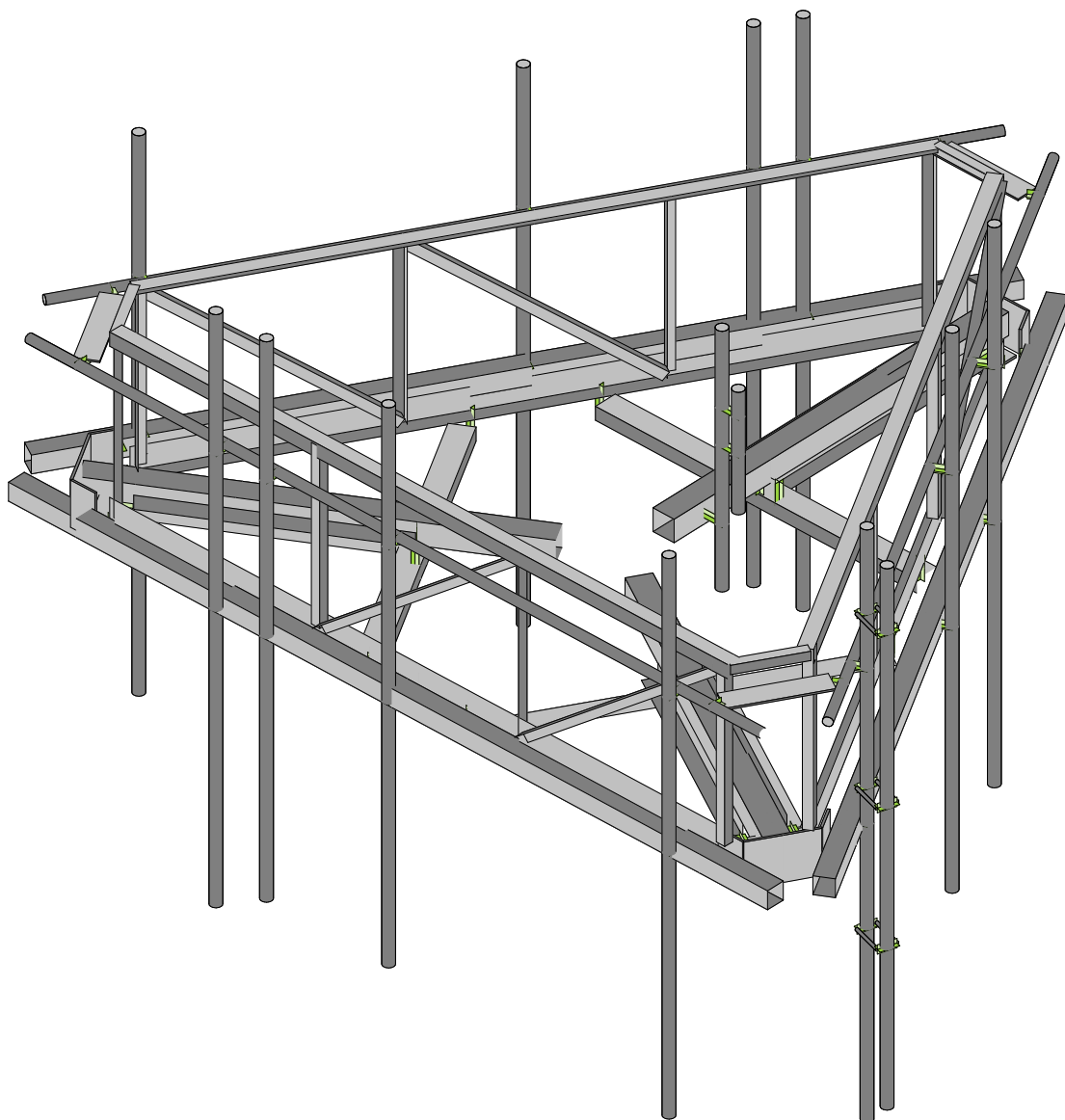
DETAIL F



**END PL
0.375" THK**



ANTENNA PLAN VIEW

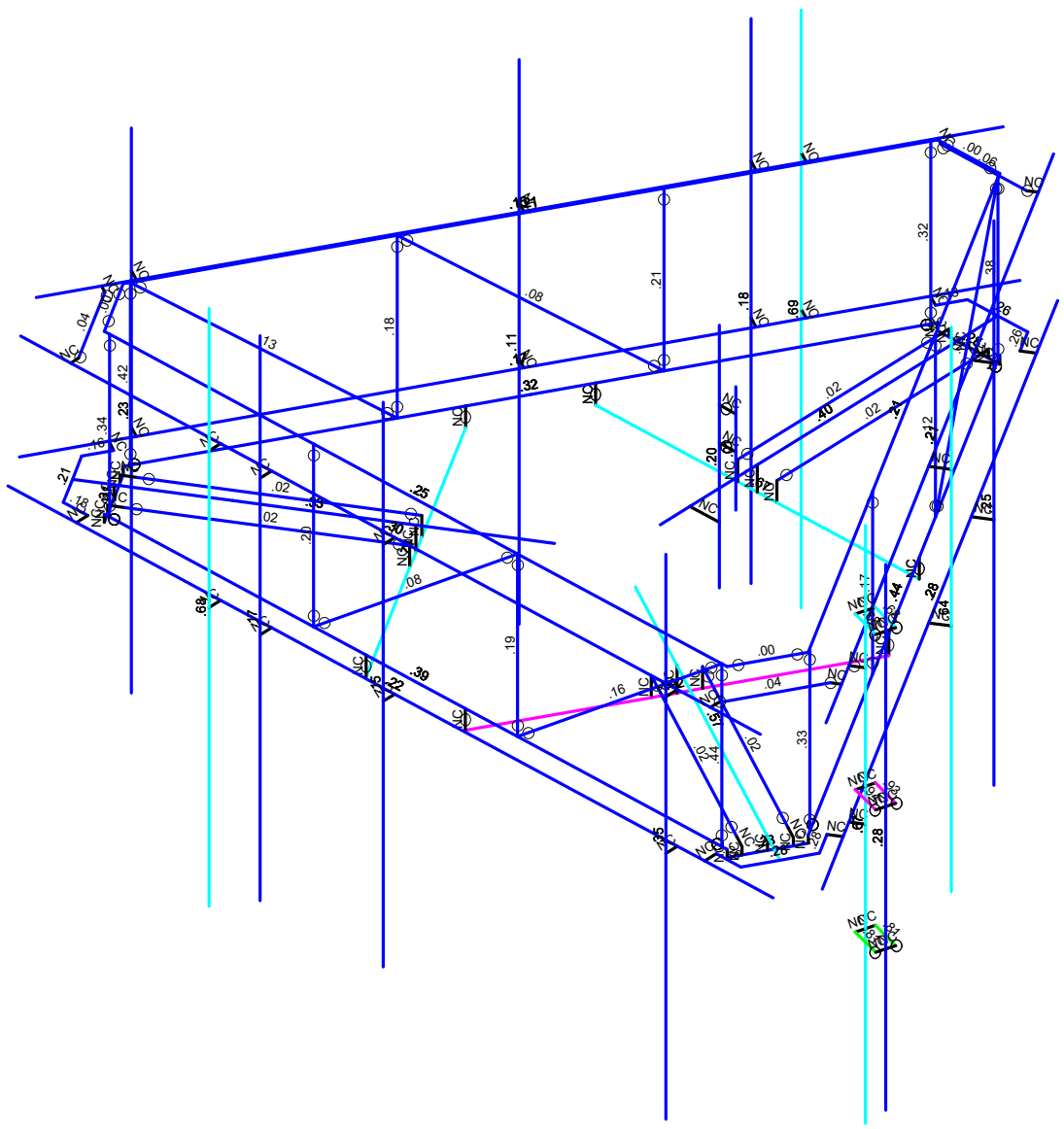


Envelope Only Solution

Maser Consulting	289912-VZW_MT_LO_H	Rendered
CMS		Dec 30, 2020 at 10:11 PM
Project No. 10025781		289912-VZW_MT_LO_H.r3d

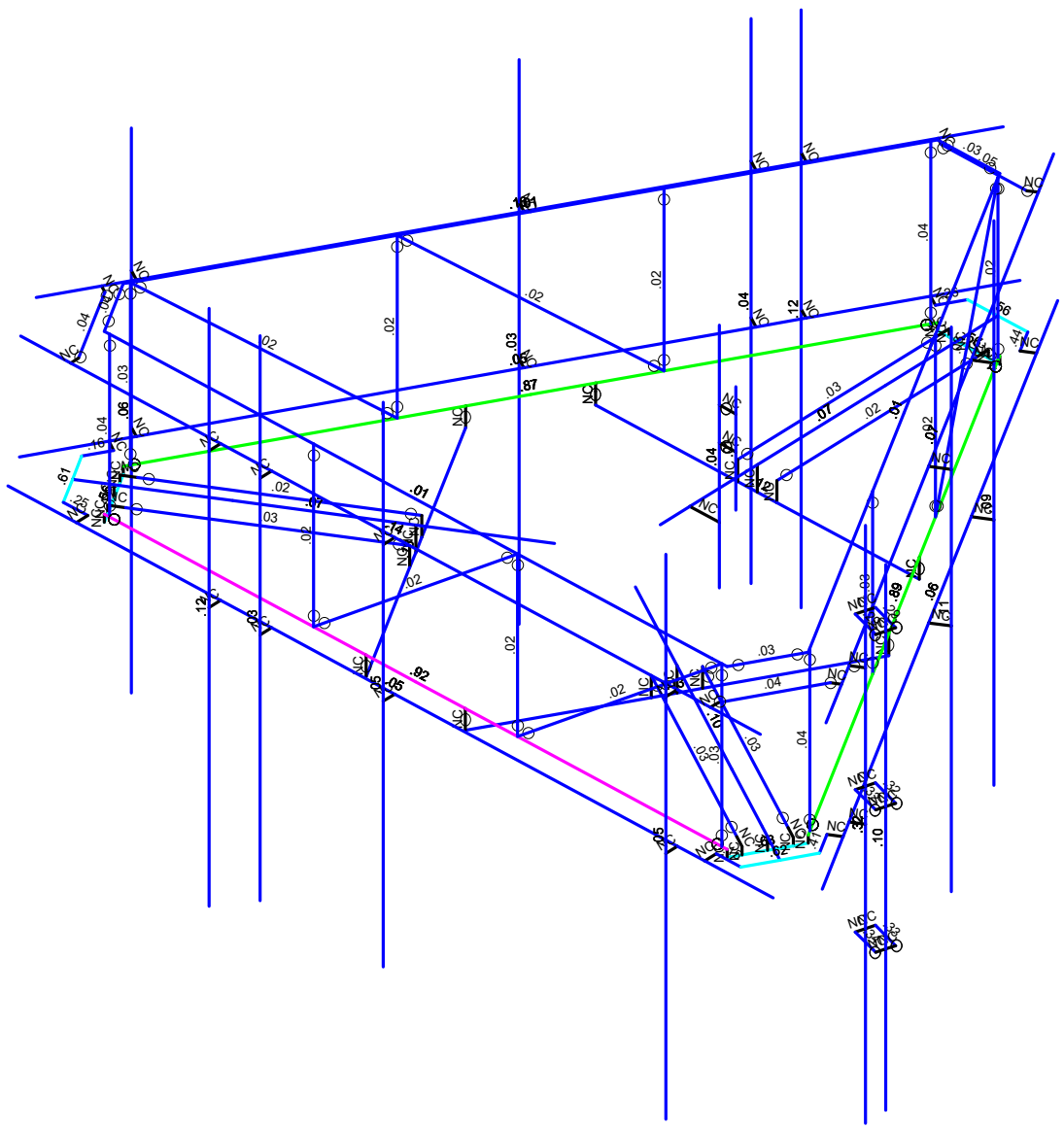
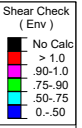


Code Check (Env)	
Black	No Calc
Red	> 1.0
Magenta	.90-1.0
Green	.75-90
Cyan	.50-.75
Blue	0-.50



Member Code Checks Displayed (Enveloped)
Envelope Only Solution

Maser Consulting	289912-VZW_MT_LO_H	Unity Bending
CMS		Dec 30, 2020 at 10:10 PM
Project No. 10025781		289912-VZW_MT_LO_H.r3d



Member Shear Checks Displayed (Enveloped)
Envelope Only Solution

Maser Consulting	289912-VZW_MT_LO_H	Shear Check
CMS		Dec 30, 2020 at 10:11 PM
Project No. 10025781		289912-VZW_MT_LO_H.r3d



Basic Load Cases

	BLC Description	Category	X Gravity	Y Gravity	Z Gravity	Joint	Point	Distrib...	Area(Me...	Surface(...
1	Antenna D	None					99			
2	Antenna Di	None					99			
3	Antenna Wo (0 Deg)	None					99			
4	Antenna Wo (30 D...	None					99			
5	Antenna Wo (60 D...	None					99			
6	Antenna Wo (90 D...	None					99			
7	Antenna Wo (120 ...	None					99			
8	Antenna Wo (150 ...	None					99			
9	Antenna Wo (180 ...	None					99			
10	Antenna Wo (210 ...	None					99			
11	Antenna Wo (240 ...	None					99			
12	Antenna Wo (270 ...	None					99			
13	Antenna Wo (300 ...	None					99			
14	Antenna Wo (330 ...	None					99			
15	Antenna Wi (0 Deg)	None					99			
16	Antenna Wi (30 De...	None					99			
17	Antenna Wi (60 De...	None					99			
18	Antenna Wi (90 De...	None					99			
19	Antenna Wi (120 D...	None					99			
20	Antenna Wi (150 D...	None					99			
21	Antenna Wi (180 D...	None					99			
22	Antenna Wi (210 D...	None					99			
23	Antenna Wi (240 D...	None					99			
24	Antenna Wi (270 D...	None					99			
25	Antenna Wi (300 D...	None					99			
26	Antenna Wi (330 D...	None					99			
27	Antenna Wm (0 D...	None					99			
28	Antenna Wm (30 ...	None					99			
29	Antenna Wm (60 ...	None					99			
30	Antenna Wm (90 ...	None					99			
31	Antenna Wm (120 ...	None					99			
32	Antenna Wm (150 ...	None					99			
33	Antenna Wm (180 ...	None					99			
34	Antenna Wm (210 ...	None					99			
35	Antenna Wm (240 ...	None					99			
36	Antenna Wm (270 ...	None					99			
37	Antenna Wm (300 ...	None					99			
38	Antenna Wm (330 ...	None					99			
39	Structure D	None		-1					3	
40	Structure Di	None						79	3	
41	Structure Wo (0 D...	None						158		
42	Structure Wo (30 ...	None						158		
43	Structure Wo (60 ...	None						158		
44	Structure Wo (90 ...	None						158		
45	Structure Wo (120...	None						158		
46	Structure Wo (150...	None						158		
47	Structure Wo (180...	None						158		
48	Structure Wo (210...	None						158		
49	Structure Wo (240...	None						158		
50	Structure Wo (270...	None						158		
51	Structure Wo (300...	None						158		
52	Structure Wo (330...	None						158		
53	Structure Wi (0 D...	None						158		
54	Structure Wi (30 ...	None						158		
55	Structure Wi (60 ...	None						158		
56	Structure Wi (90 ...	None						158		



Basic Load Cases (Continued)

BLC Description	Category	X Gravity	Y Gravity	Z Gravity	Joint	Point	Distrib...	Area(Me...	Surface(...
57 Structure Wi (120 ...)	None						158		
58 Structure Wi (150 ...)	None						158		
59 Structure Wi (180 ...)	None						158		
60 Structure Wi (210 ...)	None						158		
61 Structure Wi (240 ...)	None						158		
62 Structure Wi (270 ...)	None						158		
63 Structure Wi (300 ...)	None						158		
64 Structure Wi (330 ...)	None						158		
65 Structure Wm (0 ...)	None						158		
66 Structure Wm (30 ...)	None						158		
67 Structure Wm (60 ...)	None						158		
68 Structure Wm (90 ...)	None						158		
69 Structure Wm (12...)	None						158		
70 Structure Wm (15...)	None						158		
71 Structure Wm (18...)	None						158		
72 Structure Wm (21...)	None						158		
73 Structure Wm (24...)	None						158		
74 Structure Wm (27...)	None						158		
75 Structure Wm (30...)	None						158		
76 Structure Wm (33...)	None						158		
77 Lm1	None					1			
78 Lm2	None					1			
79 Lv1	None					1			
80 Lv2	None					1			
81 BLC 39 Transient ...	None						13		
82 BLC 40 Transient ...	None						13		

Load Combinations

Description	S... P...	S... B...	Fa...	BLC	Fa...	BLC	Fa...	B...	Fa...	B...	Fa...	B...	Fa...	B...	Fa...	B...	Fa...	B...	Fa...	B...	Fa...	B...	Fa...	B...	Fa...	B...
1 1.2D+1.0Wo (0 Deg)	Yes Y		1 1.2	39	1.2	3	1 41	1																		
2 1.2D+1.0Wo (30 Deg)	Yes Y		1 1.2	39	1.2	4	1 42	1																		
3 1.2D+1.0Wo (60 Deg)	Yes Y		1 1.2	39	1.2	5	1 43	1																		
4 1.2D+1.0Wo (90 Deg)	Yes Y		1 1.2	39	1.2	6	1 44	1																		
5 1.2D+1.0Wo (120 Deg)	Yes Y		1 1.2	39	1.2	7	1 45	1																		
6 1.2D+1.0Wo (150 Deg)	Yes Y		1 1.2	39	1.2	8	1 46	1																		
7 1.2D+1.0Wo (180 Deg)	Yes Y		1 1.2	39	1.2	9	1 47	1																		
8 1.2D+1.0Wo (210 Deg)	Yes Y		1 1.2	39	1.2	10	1 48	1																		
9 1.2D+1.0Wo (240 Deg)	Yes Y		1 1.2	39	1.2	11	1 49	1																		
10 1.2D+1.0Wo (270 Deg)	Yes Y		1 1.2	39	1.2	12	1 50	1																		
11 1.2D+1.0Wo (300 Deg)	Yes Y		1 1.2	39	1.2	13	1 51	1																		
12 1.2D+1.0Wo (330 Deg)	Yes Y		1 1.2	39	1.2	14	1 52	1																		
13 1.2D + 1.0Di + 1.0Wi (...)	Yes Y		1 1.2	39	1.2	2	1 40	1 15	1 53	1																
14 1.2D + 1.0Di + 1.0Wi (...)	Yes Y		1 1.2	39	1.2	2	1 40	1 16	1 54	1																
15 1.2D + 1.0Di + 1.0Wi (...)	Yes Y		1 1.2	39	1.2	2	1 40	1 17	1 55	1																
16 1.2D + 1.0Di + 1.0Wi (...)	Yes Y		1 1.2	39	1.2	2	1 40	1 18	1 56	1																
17 1.2D + 1.0Di + 1.0Wi (...)	Yes Y		1 1.2	39	1.2	2	1 40	1 19	1 57	1																
18 1.2D + 1.0Di + 1.0Wi (...)	Yes Y		1 1.2	39	1.2	2	1 40	1 20	1 58	1																
19 1.2D + 1.0Di + 1.0Wi (...)	Yes Y		1 1.2	39	1.2	2	1 40	1 21	1 59	1																
20 1.2D + 1.0Di + 1.0Wi (...)	Yes Y		1 1.2	39	1.2	2	1 40	1 22	1 60	1																
21 1.2D + 1.0Di + 1.0Wi (...)	Yes Y		1 1.2	39	1.2	2	1 40	1 23	1 61	1																
22 1.2D + 1.0Di + 1.0Wi (...)	Yes Y		1 1.2	39	1.2	2	1 40	1 24	1 62	1																
23 1.2D + 1.0Di + 1.0Wi (...)	Yes Y		1 1.2	39	1.2	2	1 40	1 25	1 63	1																
24 1.2D + 1.0Di + 1.0Wi (...)	Yes Y		1 1.2	39	1.2	2	1 40	1 26	1 64	1																
25 1.2D + 1.5Lm1 + 1.0...	Yes Y		1 1.2	39	1.2	77	1.5 27	1 65	1																	
26 1.2D + 1.5Lm1 + 1.0...	Yes Y		1 1.2	39	1.2	77	1.5 28	1 66	1																	



Load Combinations (Continued)

	Description	S...	P...	S...	B...	Fa...	BLC	Fa...	BLC	Fa...	B...	Fa...	B...	Fa...	B...	Fa...	B...	Fa...	B...	Fa...	B...	Fa...	B...
27	1.2D + 1.5Lm1 + 1.0...	Yes	Y		1	1.2	39	1.2	77	1.5	29	1	67	1									
28	1.2D + 1.5Lm1 + 1.0...	Yes	Y		1	1.2	39	1.2	77	1.5	30	1	68	1									
29	1.2D + 1.5Lm1 + 1.0...	Yes	Y		1	1.2	39	1.2	77	1.5	31	1	69	1									
30	1.2D + 1.5Lm1 + 1.0...	Yes	Y		1	1.2	39	1.2	77	1.5	32	1	70	1									
31	1.2D + 1.5Lm1 + 1.0...	Yes	Y		1	1.2	39	1.2	77	1.5	33	1	71	1									
32	1.2D + 1.5Lm1 + 1.0...	Yes	Y		1	1.2	39	1.2	77	1.5	34	1	72	1									
33	1.2D + 1.5Lm1 + 1.0...	Yes	Y		1	1.2	39	1.2	77	1.5	35	1	73	1									
34	1.2D + 1.5Lm1 + 1.0...	Yes	Y		1	1.2	39	1.2	77	1.5	36	1	74	1									
35	1.2D + 1.5Lm1 + 1.0...	Yes	Y		1	1.2	39	1.2	77	1.5	37	1	75	1									
36	1.2D + 1.5Lm1 + 1.0...	Yes	Y		1	1.2	39	1.2	77	1.5	38	1	76	1									
37	1.2D + 1.5Lm2 + 1.0...	Yes	Y		1	1.2	39	1.2	78	1.5	27	1	65	1									
38	1.2D + 1.5Lm2 + 1.0...	Yes	Y		1	1.2	39	1.2	78	1.5	28	1	66	1									
39	1.2D + 1.5Lm2 + 1.0...	Yes	Y		1	1.2	39	1.2	78	1.5	29	1	67	1									
40	1.2D + 1.5Lm2 + 1.0...	Yes	Y		1	1.2	39	1.2	78	1.5	30	1	68	1									
41	1.2D + 1.5Lm2 + 1.0...	Yes	Y		1	1.2	39	1.2	78	1.5	31	1	69	1									
42	1.2D + 1.5Lm2 + 1.0...	Yes	Y		1	1.2	39	1.2	78	1.5	32	1	70	1									
43	1.2D + 1.5Lm2 + 1.0...	Yes	Y		1	1.2	39	1.2	78	1.5	33	1	71	1									
44	1.2D + 1.5Lm2 + 1.0...	Yes	Y		1	1.2	39	1.2	78	1.5	34	1	72	1									
45	1.2D + 1.5Lm2 + 1.0...	Yes	Y		1	1.2	39	1.2	78	1.5	35	1	73	1									
46	1.2D + 1.5Lm2 + 1.0...	Yes	Y		1	1.2	39	1.2	78	1.5	36	1	74	1									
47	1.2D + 1.5Lm2 + 1.0...	Yes	Y		1	1.2	39	1.2	78	1.5	37	1	75	1									
48	1.2D + 1.5Lm2 + 1.0...	Yes	Y		1	1.2	39	1.2	78	1.5	38	1	76	1									
49	1.2D + 1.5Lv1	Yes	Y		1	1.2	39	1.2	79	1.5													
50	1.2D + 1.5Lv2	Yes	Y		1	1.2	39	1.2	80	1.5													
51	1.4D	Yes	Y		1	1.4	39	1.4															
52	Seismic Mass	Yes	Y		1	1	39	1															
53	1.2D + 1.0Ev + 1.0Eh ...	Yes	Y		1	1.2	39	1.2	SX		SY	1	SZ	-1									
54	1.2D + 1.0Ev + 1.0Eh ...	Yes	Y		1	1.2	39	1.2	SX	.5	SY	1	SZ	-8...									
55	1.2D + 1.0Ev + 1.0Eh ...	Yes	Y		1	1.2	39	1.2	SX	.866	SY	1	SZ	-.5									
56	1.2D + 1.0Ev + 1.0Eh ...	Yes	Y		1	1.2	39	1.2	SX	1	SY	1	SZ										
57	1.2D + 1.0Ev + 1.0Eh ...	Yes	Y		1	1.2	39	1.2	SX	.866	SY	1	SZ	.5									
58	1.2D + 1.0Ev + 1.0Eh ...	Yes	Y		1	1.2	39	1.2	SX	.5	SY	1	SZ	.866									
59	1.2D + 1.0Ev + 1.0Eh ...	Yes	Y		1	1.2	39	1.2	SX		SY	1	SZ	1									
60	1.2D + 1.0Ev + 1.0Eh ...	Yes	Y		1	1.2	39	1.2	SX	-.5	SY	1	SZ	.866									
61	1.2D + 1.0Ev + 1.0Eh ...	Yes	Y		1	1.2	39	1.2	SX	-.8...	SY	1	SZ	.5									
62	1.2D + 1.0Ev + 1.0Eh ...	Yes	Y		1	1.2	39	1.2	SX	-1	SY	1	SZ										
63	1.2D + 1.0Ev + 1.0Eh ...	Yes	Y		1	1.2	39	1.2	SX	-.8...	SY	1	SZ	-.5									
64	1.2D + 1.0Ev + 1.0Eh ...	Yes	Y		1	1.2	39	1.2	SX	-.5	SY	1	SZ	-.8...									

Joint Coordinates and Temperatures

	Label	X [ft]	Y [ft]	Z [ft]	Temp [F]	Detach From Di...
1	N1	0	0	0	0	
2	N2	-7.329474	0	5.01415	0	
3	N3	7.661389	0	4.490658	0	
4	N4	5.787531	0	4.556094	0	
5	N6	-2.16598	0	4.833837	0	
6	N7	-3.165326	0	4.868735	0	
7	N8	-0.031991	0	-0.916111	0	
8	N9	-0.279476	0	-8.003137	0	
9	N10	-0.868219	0	-7.982578	0	
10	N11	0.309268	0	-8.023696	0	
11	N12	-0.197149	0	-5.645597	0	
12	N13	-0.249162	0	-7.135074	0	
13	N17	-1.093927	0	-7.558084	0	
14	N18	0.564037	0	-7.615981	0	



Joint Coordinates and Temperatures (Continued)

	Label	X [ft]	Y [ft]	Z [ft]	Temp [F]	Detach From Di...
15	N19	-1.306819	0	-7.67128	0	
16	N20	0.768514	0	-7.743753	0	
17	N47A	-0.633543	-0.096154	-7.121651	0	
18	N48A	0.135219	-0.096154	-7.148497	0	
19	N49	-0.103188	-0.480769	-2.95493	0	
20	N50	-0.48757	-0.096154	-2.941507	0	
21	N51	0.281193	-0.096154	-2.968352	0	
22	N52	-0.103188	0	-2.95493	0	
23	N53	-3.274348	-0.480769	-2.84419	0	
24	N54	3.067971	-0.480769	-3.065669	0	
25	N75B	-0.48757	-0.480769	-2.941507	0	
26	N76A	0.281193	-0.480769	-2.968352	0	
27	N89	-3.274348	-0.096154	-2.84419	0	
28	N90A	3.067971	-0.096154	-3.065669	0	
29	N99A	0.249241	0	4.749496	0	
30	N100A	5.79592	0	4.796332	0	
31	N102A	-2.157591	0	5.074075	0	
32	N103	-3.156937	0	5.108973	0	
33	N104	0.25763	0	4.989734	0	
34	N117	5.79592	5.250004	4.796332	0	
35	N119	-2.157591	5.250004	5.074075	0	
36	N120	-3.156937	5.250004	5.108973	0	
37	N121	0.25763	5.250004	4.989734	0	
38	N122	5.79592	-4.666682	4.796332	0	
39	N124	-2.157591	-4.666682	5.074075	0	
40	N125	-3.156937	-5.250015	5.108973	0	
41	N126	0.25763	-4.666682	4.989734	0	
42	N200	-0.053692	0	-1.537525	0	
43	N202	0.52288	0	-1.557659	0	
44	N203	0.52288	3.461538	-1.557659	0	
45	N204	0.52288	-1.153846	-1.557659	0	
46	N215	-3.274348	-0.240385	-2.84419	0	
47	N216	3.067971	-0.240385	-3.065669	0	
48	N82	-6.054574	0	3.783318	0	
49	N90	-5.850759	-0.096154	4.10949	0	
50	N91	-6.258389	-0.096154	3.457145	0	
51	N92	-2.50745	-0.480769	1.566829	0	
52	N93A	-2.303635	-0.096154	1.893001	0	
53	N94A	-2.711265	-0.096154	1.240656	0	
54	N95	-2.50745	0	1.566829	0	
55	N96	-0.825967	-0.480769	4.257764	0	
56	N97	-4.188933	-0.480769	-1.124107	0	
57	N98	-2.303635	-0.480769	1.893001	0	
58	N99	-2.711265	-0.480769	1.240656	0	
59	N104A	-0.825967	-0.096154	4.257764	0	
60	N115A	6.303736	0	3.351756	0	
61	N123A	6.484302	-0.096154	3.012161	0	
62	N124A	6.12317	-0.096154	3.691351	0	
63	N125A	2.610638	-0.480769	1.388101	0	
64	N126A	2.791204	-0.096154	1.048506	0	
65	N127	2.430072	-0.096154	1.727696	0	
66	N128	2.610638	0	1.388101	0	
67	N129	4.100315	-0.480769	-1.413573	0	
68	N130	1.120962	-0.480769	4.189775	0	
69	N131	2.791204	-0.480769	1.048506	0	
70	N132	2.430072	-0.480769	1.727696	0	
71	N138	1.120962	-0.096154	4.189775	0	



Joint Coordinates and Temperatures (Continued)

	Label	X [ft]	Y [ft]	Z [ft]	Temp [F]	Detach From Di...
72	N128A	8.007118	0	3.840435	0	
73	N129A	0.058329	0	-8.880286	0	
74	N131A	-0.677645	0	-8.854585	0	
75	N132A	-7.719718	0	4.389628	0	
76	N128B	2.976571	0	-4.210123	0	
77	N129B	7.101846	0	2.391697	0	
78	N131B	4.411784	0	-1.913303	0	
79	N132B	3.260428	0	-4.387497	0	
80	N133	7.305704	0	2.264313	0	
81	N135C	4.695641	0	-2.090676	0	
82	N136D	3.260428	5.250004	-4.387497	0	
83	N137A	7.305704	5.250004	2.264313	0	
84	N139B	4.695641	5.250004	-2.090676	0	
85	N140B	3.260428	-4.666682	-4.387497	0	
86	N141B	7.305704	-5.250015	2.264313	0	
87	N143A	4.695641	-4.666682	-2.090676	0	
88	N144A	-6.898143	0	2.84447	0	
89	N145	-2.53598	0	-5.359565	0	
90	N146	-2.183878	0	-6.021773	0	
91	N147	-4.16934	0	-2.287662	0	
92	N148	-7.11039	0	2.731616	0	
93	N149	-2.748227	0	-5.472418	0	
94	N150	-2.396125	0	-6.134626	0	
95	N151	-4.381587	0	-2.400516	0	
96	N152	-7.11039	5.250004	2.731616	0	
97	N153	-2.748227	5.250004	-5.472418	0	
98	N154	-2.396125	5.250004	-6.134626	0	
99	N155	-4.381587	5.250004	-2.400516	0	
100	N156	-7.11039	-4.666682	2.731616	0	
101	N157	-2.748227	-4.666682	-5.472418	0	
102	N158	-2.396125	-5.250015	-6.134626	0	
103	N159	-4.381587	-4.666682	-2.400516	0	
104	N147A	-4.790656	0	2.993534	0	
105	N150A	4.987805	0	2.652063	0	
106	N133A	-0.77738	0	0.485761	0	
107	N134A	-6.791182	0	4.243602	0	
108	N135D	-6.479005	0	4.743189	0	
109	N136E	-7.103359	0	3.744014	0	
110	N137B	-5.998529	0	4.72641	0	
111	N138C	-6.877651	0	3.31952	0	
112	N139	-5.990114	0	4.967379	0	
113	N140	-7.090544	0	3.206324	0	
114	N141	0.809371	0	0.43035	0	
115	N142	7.070658	0	3.759535	0	
116	N143B	7.347225	0	3.239389	0	
117	N144B	6.794091	0	4.279682	0	
118	N145A	7.092456	0	2.831673	0	
119	N146A	6.313615	0	4.296461	0	
120	N147B	7.296933	0	2.703902	0	
121	N148A	6.322029	0	4.537429	0	
122	N149A	-5.652782	3.112179	4.42632	0	
123	N150B	5.947776	3.112179	4.021219	0	
124	N151A	-5.952932	-0.096154	4.436801	0	
125	N152A	6.247927	-0.096154	4.010738	0	
126	N149B	4.100315	-0.096154	-1.413573	0	
127	N156A	6.818849	-0.096154	2.93699	0	
128	N157A	0.349438	-0.096154	-7.416232	0	



Joint Coordinates and Temperatures (Continued)

	Label	X [ft]	Y [ft]	Z [ft]	Temp [F]	Detach From Di...
129	N162	-4.188933	-0.096154	-1.124107	0	
130	N167	-0.865917	-0.096154	-7.373791	0	
131	N168	-6.597364	-0.096154	3.405494	0	
132	N157B	-5.952932	3.112179	4.436801	0	
133	N158A	6.247927	3.112179	4.010738	0	
134	N159A	6.818849	3.112179	2.93699	0	
135	N160	0.349438	3.112179	-7.416232	0	
136	N161	-0.865917	3.112179	-7.373791	0	
137	N162A	-6.597364	3.112179	3.405494	0	
138	N163	0.147497	-0.096154	4.22377	0	
139	N164A	3.584143	-0.096154	-2.239621	0	
140	N165A	-3.73164	-0.096154	-1.984148	0	
141	N166	0.147497	3.112179	4.22377	0	
142	N167A	3.584143	3.112179	-2.239621	0	
143	N168A	-3.73164	3.112179	-1.984148	0	
144	N169	2.146279	-0.096154	4.153971	0	
145	N170	2.146279	3.112179	4.153971	0	
146	N171	6.143842	-0.096154	4.014373	0	
147	N172	6.143842	3.112179	4.014373	0	
148	N173	-1.851284	-0.096154	4.293569	0	
149	N174	-1.851284	3.112179	4.293569	0	
150	N175	-5.848848	-0.096154	4.433167	0	
151	N176	-5.848848	3.112179	4.433167	0	
152	N179	2.524305	-0.096154	-3.935717	0	
153	N180	2.524305	3.112179	-3.935717	0	
154	N181	0.404628	-0.096154	-7.32791	0	
155	N182	0.404628	3.112179	-7.32791	0	
156	N183	4.643982	-0.096154	-0.543525	0	
157	N184	4.643982	3.112179	-0.543525	0	
158	N185	6.763659	-0.096154	2.848667	0	
159	N186	6.763659	3.112179	2.848667	0	
160	N189	-4.670584	-0.096154	-0.218253	0	
161	N190	-4.670584	3.112179	-0.218253	0	
162	N191	-6.54847	-0.096154	3.313537	0	
163	N192	-6.54847	3.112179	3.313537	0	
164	N193	-2.792697	-0.096154	-3.750044	0	
165	N194	-2.792697	3.112179	-3.750044	0	
166	N195	-0.914811	-0.096154	-7.281834	0	
167	N196	-0.914811	3.112179	-7.281834	0	
168	N191A	5.787531	2.75	4.556094	0	
169	N192A	-2.16598	2.75	4.833837	0	
170	N193A	-3.165326	2.75	4.868735	0	
171	N194A	0.249241	2.75	4.749496	0	
172	N195A	5.79592	2.75	4.796332	0	
173	N196A	-2.157591	2.75	5.074075	0	
174	N197	-3.156937	2.75	5.108973	0	
175	N198	0.25763	2.75	4.989734	0	
176	N199	7.874638	2.75	3.628423	0	
177	N200A	0.190809	2.75	-8.668274	0	
178	N203A	2.976571	2.75	-4.210123	0	
179	N204A	7.101846	2.75	2.391697	0	
180	N205	4.411784	2.75	-1.913303	0	
181	N206	3.260428	2.75	-4.387497	0	
182	N207	7.305704	2.75	2.264313	0	
183	N208	4.695641	2.75	-2.090676	0	
184	N209	-6.898143	2.75	2.84447	0	
185	N210	-2.53598	2.75	-5.359565	0	



Joint Coordinates and Temperatures (Continued)

	Label	X [ft]	Y [ft]	Z [ft]	Temp [F]	Detach From Di...
186	N211	-2.183878	2.75	-6.021773	0	
187	N212	-4.16934	2.75	-2.287662	0	
188	N213	-7.11039	2.75	2.731616	0	
189	N214	-2.748227	2.75	-5.472418	0	
190	N215A	-2.396125	2.75	-6.134626	0	
191	N216A	-4.381587	2.75	-2.400516	0	
192	N213A	-0.795012	2.75	-8.633848	0	
193	N214A	-7.60235	2.75	4.168892	0	
194	N215B	-7.079626	2.75	5.005425	0	
195	N216B	7.411541	2.75	4.499383	0	
196	N217	-1.108179	2.75	-7.690692	0	
197	N218	0.569004	2.75	-7.749261	0	
198	N219	-1.254991	2.75	-7.768754	0	
199	N220	0.710014	2.75	-7.837373	0	
200	N221	-6.106245	2.75	4.805057	0	
201	N222	-6.995558	2.75	3.381858	0	
202	N223	-6.100442	2.75	4.971231	0	
203	N224	-7.142371	2.75	3.303797	0	
204	N225	7.214424	2.75	2.885635	0	
205	N226	6.426555	2.75	4.367402	0	
206	N227	7.355434	2.75	2.797522	0	
207	N228	6.432358	2.75	4.533576	0	
208	N229	0.349438	-0.240154	-7.416232	0	
209	N230	-0.865917	-0.240154	-7.373791	0	
210	N227A	-0.642621	-0.096154	-7.381589	0	
211	N228A	0.126142	-0.096154	-7.408435	0	
212	N229A	-0.642621	-0.240154	-7.381589	0	
213	N230A	0.126142	-0.240154	-7.408435	0	
214	N236	-6.597364	-0.240154	3.405494	0	
215	N237	-5.952932	-0.240154	4.436801	0	
216	N238	-6.071333	-0.096154	4.24732	0	
217	N239	-6.478963	-0.096154	3.594976	0	
218	N240	-6.071333	-0.240154	4.24732	0	
219	N241	-6.478963	-0.240154	3.594976	0	
220	N249	6.247927	-0.240154	4.010738	0	
221	N250	6.818849	-0.240154	2.93699	0	
222	N251	6.713954	-0.096154	3.134269	0	
223	N252	6.352822	-0.096154	3.813459	0	
224	N253	6.713954	-0.240154	3.134269	0	
225	N254	6.352822	-0.240154	3.813459	0	
226	N229B	-0.25824	-0.240154	-7.395012	0	
227	N230B	-0.25824	0	-7.395012	0	
228	N232	-6.275148	-0.240154	3.921148	0	
229	N233	-6.275148	0	3.921148	0	
230	N235	6.533388	-0.240154	3.473864	0	
231	N236A	6.533388	0	3.473864	0	
232	N232A	7.305704	3.75	2.264313	0	
233	N233A	7.305704	0.666667	2.264313	0	
234	N234	7.305704	-1.833333	2.264313	0	
235	N235A	7.262567	3.75	2.425301	0	
236	N236B	7.262567	0.666667	2.425301	0	
237	N237A	7.262567	-1.833333	2.425301	0	
238	N238A	7.34884	3.75	2.103325	0	
239	N239A	7.34884	0.666667	2.103325	0	
240	N240A	7.34884	-1.833333	2.103325	0	
241	N241A	7.868839	3.75	2.415204	0	
242	N242	7.868839	0.666667	2.415204	0	



Joint Coordinates and Temperatures (Continued)

	Label	X [ft]	Y [ft]	Z [ft]	Temp [F]	Detach From Di...
243	N243	7.868839	-1.833333	2.415204	0	
244	N244	7.825702	3.75	2.576192	0	
245	N245	7.825702	0.666667	2.576192	0	
246	N246	7.825702	-1.833333	2.576192	0	
247	N247	7.911975	3.75	2.254217	0	
248	N248	7.911975	0.666667	2.254217	0	
249	N249A	7.911975	-1.833333	2.254217	0	
250	N250A	7.868839	4.916667	2.415204	0	
251	N251A	7.868839	-4.666667	2.415204	0	
252	N252A	0.52288	2.065705	-1.557659	0	
253	N253A	0.52288	1.399038	-1.557659	0	
254	N254A	0.856213	2.065705	-1.557659	0	
255	N255	0.856213	1.399038	-1.557659	0	
256	N256	0.856213	2.544872	-1.557659	0	
257	N257	0.856213	0.378205	-1.557659	0	

Hot Rolled Steel Section Sets

	Label	Shape	Type	Design List	Material	Design ...	A [in2]	Iyy [in4]	Izz [in4]	J [in4]
1	Face Horizontal Pipe	HSS4X4X4	Beam	None	A500 Gr.B Rect	Typical	3.37	7.8	7.8	12.8
2	Mount Pipe	PIPE_2.0	Beam	None	A53 Gr.B	Typical	1.02	.627	.627	1.25
3	Support Rail	PIPE_1.5	Beam	None	A53 Gr.B	Typical	.749	.293	.293	.586
4	Face Angle	L5X3X4	Beam	None	A36 Gr.36	Typical	1.94	1.41	5.09	.044
5	Corner Plate Inner	L5X3X4	Beam	None	A36 Gr.36	Typical	1.94	1.41	5.09	.044
6	Grating Angle Support	L3X3X5	Beam	None	A36 Gr.36	Typical	1.78	1.5	1.5	.06
7	Corner Plate Outer	L2.5x2.5x4	Beam	None	A36 Gr.36	Typical	1.19	.692	.692	.026
8	Standoff End	HSS4X4X4	Beam	None	A500 Gr.B Rect	Typical	3.37	7.8	7.8	12.8
9	Standoff Start	HSS5X5X4	Beam	None	A500 Gr.B Rect	Typical	4.3	16	16	25.8
10	Standoff Bracing An...	L5X3X4	Beam	None	A36 Gr.36	Typical	1.94	1.41	5.09	.044
11	Standoff End Plates	PL1/2x10	Beam	None	A36 Gr.36	Typical	5	.104	41.667	.404
12	Standoff Bottom Plat...	PL1/2x8	Beam	None	A36 Gr.36	Typical	4	.083	21.333	.32
13	Angle Support Angle	L2x2x3	Beam	None	A36 Gr.36	Typical	.722	.271	.271	.009
14	Support Rail Connec...	PL3/8X4.75	Beam	None	A36 Gr.36	Typical	1.781	.021	3.349	.079
15	Inner Support Angle	L3X3X4	Beam	None	A36 Gr.36	Typical	1.44	1.23	1.23	.031
16	Solid Rod	SR_0.625	Beam	None	A36 Gr.36	Typical	.307	.007	.007	.015

Hot Rolled Steel Properties

	Label	E [ksi]	G [ksi]	Nu	Therm (/1...	Density[k/ft...	Yield[ksi]	Ry	Fu[ksi]	Rt
1	A992	29000	11154	.3	.65	.49	50	1.1	65	1.1
2	A36 Gr.36	29000	11154	.3	.65	.49	36	1.5	58	1.2
3	A572 Gr.50	29000	11154	.3	.65	.49	50	1.1	65	1.1
4	A500 Gr.B RND	29000	11154	.3	.65	.527	42	1.4	58	1.3
5	A500 Gr.B Rect	29000	11154	.3	.65	.527	46	1.4	58	1.3
6	A53 Gr.B	29000	11154	.3	.65	.49	35	1.6	60	1.2
7	A1085	29000	11154	.3	.65	.49	50	1.4	65	1.3

Member Primary Data

	Label	I Joint	J Joint	K Joint	Rotate(deg)	Section/Shape	Type	Design List	Material	Design Rules
1	M1	N3	N2			Face Horizont...	Beam	None	A500 Gr.B...	Typical
2	M3	N9	N8			Standoff Start	Beam	None	A500 Gr.B...	Typical
3	M4	N11	N10			Standoff End ...	Beam	None	A36 Gr.36	Typical
4	M5	N229	N230		90	Standoff Botto...	Beam	None	A36 Gr.36	Typical
5	M7	N18	N11			Standoff End ...	Beam	None	A36 Gr.36	Typical



Member Primary Data (Continued)

	Label	I Joint	J Joint	K Joint	Rotate(deg)	Section/Shape	Type	Design List	Material	Design Rules
6	M8	N17	N10			Standoff End ...	Beam	None	A36 Gr.36	Typical
7	M9	N18	N20			RIGID	None	None	RIGID	Typical
8	M10	N17	N19			RIGID	None	None	RIGID	Typical
9	M30	N51	N48A			Grating Angle ...	Beam	None	A36 Gr.36	Typical
10	M31	N50	N47A		270	Grating Angle ...	Beam	None	A36 Gr.36	Typical
11	M33	N52	N49			RIGID	None	None	RIGID	Typical
12	M33A	N54	N53		90	Standoff Braci...	Beam	None	A36 Gr.36	Typical
13	M46A	N50	N75B			RIGID	None	None	RIGID	Typical
14	M47A	N51	N76A			RIGID	None	None	RIGID	Typical
15	M62B	N90A	N54			RIGID	None	None	RIGID	Typical
16	M63B	N89	N53			RIGID	None	None	RIGID	Typical
17	M70	N100A	N4			RIGID	None	None	RIGID	Typical
18	M72	N104	N99A			RIGID	None	None	RIGID	Typical
19	M73	N102A	N6			RIGID	None	None	RIGID	Typical
20	M74	N103	N7			RIGID	None	None	RIGID	Typical
21	MP1A	N117	N122			Mount Pipe	Beam	None	A53 Gr.B	Typical
22	MP2A	N121	N126			Mount Pipe	Beam	None	A53 Gr.B	Typical
23	MP3A	N119	N124			Mount Pipe	Beam	None	A53 Gr.B	Typical
24	MP4A	N120	N125			Mount Pipe	Beam	None	A53 Gr.B	Typical
25	R1	N203	N204			Mount Pipe	Beam	None	A53 Gr.B	Typical
26	M130	N200	N202			RIGID	None	None	RIGID	Typical
27	M52	N94A	N91			Grating Angle ...	Beam	None	A36 Gr.36	Typical
28	M53	N93A	N90		270	Grating Angle ...	Beam	None	A36 Gr.36	Typical
29	M54	N95	N92			RIGID	None	None	RIGID	Typical
30	M55	N97	N96		90	Standoff Braci...	Beam	None	A36 Gr.36	Typical
31	M56	N93A	N98			RIGID	None	None	RIGID	Typical
32	M57	N94A	N99			RIGID	None	None	RIGID	Typical
33	M63A	N104A	N96			RIGID	None	None	RIGID	Typical
34	M73A	N127	N124A			Grating Angle ...	Beam	None	A36 Gr.36	Typical
35	M74A	N126A	N123A		270	Grating Angle ...	Beam	None	A36 Gr.36	Typical
36	M75A	N128	N125A			RIGID	None	None	RIGID	Typical
37	M76A	N130	N129		90	Standoff Braci...	Beam	None	A36 Gr.36	Typical
38	M77A	N126A	N131			RIGID	None	None	RIGID	Typical
39	M78	N127	N132			RIGID	None	None	RIGID	Typical
40	M83A	N138	N130			RIGID	None	None	RIGID	Typical
41	M81A	N152A	N151A			Corner Plate I...	Beam	None	A36 Gr.36	Typical
42	M80	N129A	N128A			Face Horizont...	Beam	None	A500 Gr.B...	Typical
43	M81B	N132A	N131A			Face Horizont...	Beam	None	A500 Gr.B...	Typical
44	M80B	N132B	N128B			RIGID	None	None	RIGID	Typical
45	M81C	N135C	N131B			RIGID	None	None	RIGID	Typical
46	M82B	N133	N129B			RIGID	None	None	RIGID	Typical
47	MP1C	N136D	N140B			Mount Pipe	Beam	None	A53 Gr.B	Typical
48	MP2C	N139B	N143A			Mount Pipe	Beam	None	A53 Gr.B	Typical
49	MP32C	N137A	N141B			Mount Pipe	Beam	None	A53 Gr.B	Typical
50	M88	N148	N144A			RIGID	None	None	RIGID	Typical
51	M89	N151	N147			RIGID	None	None	RIGID	Typical
52	M90	N149	N145			RIGID	None	None	RIGID	Typical
53	M91	N150	N146			RIGID	None	None	RIGID	Typical
54	MP1B	N152	N156			Mount Pipe	Beam	None	A53 Gr.B	Typical
55	MP2B	N155	N159			Mount Pipe	Beam	None	A53 Gr.B	Typical
56	MP3B	N153	N157			Mount Pipe	Beam	None	A53 Gr.B	Typical
57	MP4B	N154	N158			Mount Pipe	Beam	None	A53 Gr.B	Typical
58	M81D	N134A	N133A			Standoff Start	Beam	None	A500 Gr.B...	Typical
59	M82C	N136E	N135D			Standoff End ...	Beam	None	A36 Gr.36	Typical
60	M83D	N138C	N136E			Standoff End ...	Beam	None	A36 Gr.36	Typical
61	M84C	N137B	N135D			Standoff End ...	Beam	None	A36 Gr.36	Typical
62	M85A	N138C	N140			RIGID	None	None	RIGID	Typical



Member Primary Data (Continued)

	Label	I Joint	J Joint	K Joint	Rotate(deg)	Section/Shape	Type	Design List	Material	Design Rules
63	M86A	N137B	N139			RIGID	None	None	RIGID	Typical
64	M87A	N142	N141			Standoff Start	Beam	None	A500 Gr.B...	Typical
65	M88A	N144B	N143B			Standoff End ...	Beam	None	A36 Gr.36	Typical
66	M89A	N146A	N144B			Standoff End ...	Beam	None	A36 Gr.36	Typical
67	M90A	N145A	N143B			Standoff End ...	Beam	None	A36 Gr.36	Typical
68	M91A	N146A	N148A			RIGID	None	None	RIGID	Typical
69	M92	N145A	N147B			RIGID	None	None	RIGID	Typical
70	M85	N149B	N129			RIGID	None	None	RIGID	Typical
71	M87	N157A	N156A			Corner Plate I...	Beam	None	A36 Gr.36	Typical
72	M89B	N157A	N229			RIGID	None	None	RIGID	Typical
73	M91B	N162	N97			RIGID	None	None	RIGID	Typical
74	M92A	N168	N167			Corner Plate I...	Beam	None	A36 Gr.36	Typical
75	M93	N167	N230			RIGID	None	None	RIGID	Typical
76	M95	N158A	N157B		90	Inner Support ...	Beam	None	A36 Gr.36	Typical
77	M96	N160	N159A		90	Inner Support ...	Beam	None	A36 Gr.36	Typical
78	M97	N162A	N161		90	Inner Support ...	Beam	None	A36 Gr.36	Typical
79	M98	N172	N171			Angle Support ...	Beam	None	A36 Gr.36	Typical
80	M99	N170	N169		90	Angle Support ...	Beam	None	A36 Gr.36	Typical
81	M100	N174	N173			Angle Support ...	Beam	None	A36 Gr.36	Typical
82	M101	N176	N175		90	Angle Support ...	Beam	None	A36 Gr.36	Typical
83	M102	N182	N181		240	Angle Support ...	Beam	None	A36 Gr.36	Typical
84	M103	N180	N179		330	Angle Support ...	Beam	None	A36 Gr.36	Typical
85	M104	N184	N183		240	Angle Support ...	Beam	None	A36 Gr.36	Typical
86	M105	N186	N185		330	Angle Support ...	Beam	None	A36 Gr.36	Typical
87	M106	N192	N191		120	Angle Support ...	Beam	None	A36 Gr.36	Typical
88	M107	N190	N189		210	Angle Support ...	Beam	None	A36 Gr.36	Typical
89	M108	N194	N193		120	Angle Support ...	Beam	None	A36 Gr.36	Typical
90	M109	N196	N195		210	Angle Support ...	Beam	None	A36 Gr.36	Typical
91	M110	N172	N169		180	Angle Support ...	Beam	None	A36 Gr.36	Typical
92	M111	N170	N173		180	Angle Support ...	Beam	None	A36 Gr.36	Typical
93	M112	N192	N189		180	Angle Support ...	Beam	None	A36 Gr.36	Typical
94	M113	N190	N193		180	Angle Support ...	Beam	None	A36 Gr.36	Typical
95	M114	N182	N179		180	Angle Support ...	Beam	None	A36 Gr.36	Typical
96	M114A	N195A	N191A			RIGID	None	None	RIGID	Typical
97	M115	N198	N194A			RIGID	None	None	RIGID	Typical
98	M116	N196A	N192A			RIGID	None	None	RIGID	Typical
99	M117	N197	N193A			RIGID	None	None	RIGID	Typical
100	M118	N200A	N199			Support Rail	Beam	None	A53 Gr.B	Typical
101	M120	N206	N203A			RIGID	None	None	RIGID	Typical
102	M121	N208	N205			RIGID	None	None	RIGID	Typical
103	M122	N207	N204A			RIGID	None	None	RIGID	Typical
104	M123	N213	N209			RIGID	None	None	RIGID	Typical
105	M124	N216A	N212			RIGID	None	None	RIGID	Typical
106	M125	N214	N210			RIGID	None	None	RIGID	Typical
107	M126	N215A	N211			RIGID	None	None	RIGID	Typical
108	M125A	N214A	N213A			Support Rail	Beam	None	A53 Gr.B	Typical
109	M126A	N216B	N215B			Support Rail	Beam	None	A53 Gr.B	Typical
110	M125B	N161	N160		90	Angle Support ...	Beam	None	A36 Gr.36	Typical
111	M126B	N157B	N162A		90	Angle Support ...	Beam	None	A36 Gr.36	Typical
112	M127	N159A	N158A		90	Angle Support ...	Beam	None	A36 Gr.36	Typical
113	M128A	N218	N217		90	Support Rail C...	Beam	None	A36 Gr.36	Typical
114	M129	N219	N217		90	RIGID	None	None	RIGID	Typical
115	M130A	N220	N218		90	RIGID	None	None	RIGID	Typical
116	M131	N222	N221		90	Support Rail C...	Beam	None	A36 Gr.36	Typical
117	M132	N223	N221		90	RIGID	None	None	RIGID	Typical
118	M133	N224	N222		90	RIGID	None	None	RIGID	Typical
119	M134	N226	N225		90	Support Rail C...	Beam	None	A36 Gr.36	Typical



Member Primary Data (Continued)

	Label	I Joint	J Joint	K Joint	Rotate(deg)	Section/Shape	Type	Design List	Material	Design Rules
120	M135	N227	N225		90	RIGID	None	None	RIGID	Typical
121	M136	N228	N226		90	RIGID	None	None	RIGID	Typical
122	M137	N229A	N227A			RIGID	None	None	RIGID	Typical
123	M138	N230A	N228A			RIGID	None	None	RIGID	Typical
124	M139	N47A	N227A			RIGID	None	None	RIGID	Typical
125	M140	N48A	N228A			RIGID	None	None	RIGID	Typical
126	M139A	N236	N237		90	Standoff Botto...	Beam	None	A36 Gr.36	Typical
127	M142	N168	N236			RIGID	None	None	RIGID	Typical
128	M143	N151A	N237			RIGID	None	None	RIGID	Typical
129	M144	N240	N238			RIGID	None	None	RIGID	Typical
130	M145	N241	N239			RIGID	None	None	RIGID	Typical
131	M146	N90	N238			RIGID	None	None	RIGID	Typical
132	M147	N91	N239			RIGID	None	None	RIGID	Typical
133	M148	N249	N250		90	Standoff Botto...	Beam	None	A36 Gr.36	Typical
134	M151	N152A	N249			RIGID	None	None	RIGID	Typical
135	M152	N156A	N250			RIGID	None	None	RIGID	Typical
136	M153	N253	N251			RIGID	None	None	RIGID	Typical
137	M154	N254	N252			RIGID	None	None	RIGID	Typical
138	M155	N123A	N251			RIGID	None	None	RIGID	Typical
139	M156	N124A	N252			RIGID	None	None	RIGID	Typical
140	M147A	N229B	N230B			RIGID	None	None	RIGID	Typical
141	M148A	N232	N233			RIGID	None	None	RIGID	Typical
142	M149A	N235	N236A			RIGID	None	None	RIGID	Typical
143	M143A	N235A	N232A			RIGID	None	None	RIGID	Typical
144	M144A	N238A	N232A			RIGID	None	None	RIGID	Typical
145	M145A	N244	N241A			RIGID	None	None	RIGID	Typical
146	M146A	N247	N241A			RIGID	None	None	RIGID	Typical
147	M147B	N235A	N244			Solid Rod	Beam	None	A36 Gr.36	Typical
148	M148B	N238A	N247			Solid Rod	Beam	None	A36 Gr.36	Typical
149	M149	N236B	N233A			RIGID	None	None	RIGID	Typical
150	M150	N239A	N233A			RIGID	None	None	RIGID	Typical
151	M151A	N245	N242			RIGID	None	None	RIGID	Typical
152	M152A	N248	N242			RIGID	None	None	RIGID	Typical
153	M153A	N236B	N245			Solid Rod	Beam	None	A36 Gr.36	Typical
154	M154A	N239A	N248			Solid Rod	Beam	None	A36 Gr.36	Typical
155	M155A	N237A	N234			RIGID	None	None	RIGID	Typical
156	M156A	N240A	N234			RIGID	None	None	RIGID	Typical
157	M157	N246	N243			RIGID	None	None	RIGID	Typical
158	M158	N249A	N243			RIGID	None	None	RIGID	Typical
159	M159	N237A	N246			Solid Rod	Beam	None	A36 Gr.36	Typical
160	M160	N240A	N249A			Solid Rod	Beam	None	A36 Gr.36	Typical
161	MP3C	N250A	N251A			Mount Pipe	Beam	None	A53 Gr.B	Typical
162	R2	N256	N257			Mount Pipe	Beam	None	A53 Gr.B	Typical
163	M163	N252A	N254A			RIGID	None	None	RIGID	Typical
164	M164	N253A	N255			RIGID	None	None	RIGID	Typical

Member Advanced Data

	Label	I Release	J Release	I Offset[in]	J Offset[in]	T/C Only	Physical	Defl Rat...	Analysis ...	Inactive	Seismic...
1	M1						Yes				None
2	M3						Yes				None
3	M4						Yes				None
4	M5						Yes				None
5	M7						Yes				None
6	M8						Yes				None
7	M9						Yes	** NA **			None



Member Advanced Data (Continued)

	Label	I Release	J Release	I Offset[in]	J Offset[in]	T/C Only	Physical	Defl Rat...	Analysis ...	Inactive	Seismic...
8	M10						Yes	** NA **			None
9	M30	BenPIN	BenPIN				Yes				None
10	M31	BenPIN	BenPIN				Yes				None
11	M33						Yes	** NA **			None
12	M33A						Yes				None
13	M46A						Yes	** NA **			None
14	M47A						Yes	** NA **			None
15	M62B	OOOXOO					Yes	** NA **			None
16	M63B	OOOXOO					Yes	** NA **			None
17	M70						Yes	** NA **			None
18	M72						Yes	** NA **			None
19	M73						Yes	** NA **			None
20	M74						Yes	** NA **			None
21	MP1A						Yes				None
22	MP2A						Yes				None
23	MP3A						Yes				None
24	MP4A						Yes				None
25	R1						Yes				None
26	M130						Yes	** NA **			None
27	M52	BenPIN	BenPIN				Yes				None
28	M53	BenPIN	BenPIN				Yes				None
29	M54						Yes	** NA **			None
30	M55						Yes				None
31	M56						Yes	** NA **			None
32	M57						Yes	** NA **			None
33	M63A	OOOXOO					Yes	** NA **			None
34	M73A	BenPIN	BenPIN				Yes				None
35	M74A	BenPIN	BenPIN				Yes				None
36	M75A						Yes	** NA **			None
37	M76A						Yes				None
38	M77A						Yes	** NA **			None
39	M78						Yes	** NA **			None
40	M83A	OOOXOO					Yes	** NA **			None
41	M81A	BenPIN	BenPIN				Yes	Default			None
42	M80						Yes				None
43	M81B						Yes				None
44	M80B						Yes	** NA **			None
45	M81C						Yes	** NA **			None
46	M82B						Yes	** NA **			None
47	MP1C						Yes				None
48	MP2C						Yes				None
49	MP32C						Yes	Default			None
50	M88						Yes	** NA **			None
51	M89						Yes	** NA **			None
52	M90						Yes	** NA **			None
53	M91						Yes	** NA **			None
54	MP1B						Yes				None
55	MP2B						Yes				None
56	MP3B						Yes				None
57	MP4B						Yes				None
58	M81D						Yes				None
59	M82C						Yes	Default			None
60	M83D						Yes				None
61	M84C						Yes				None
62	M85A						Yes	** NA **			None
63	M86A						Yes	** NA **			None
64	M87A						Yes				None



Member Advanced Data (Continued)

	Label	I Release	J Release	I Offset[in]	J Offset[in]	T/C Only	Physical	Defl Rat..	Analysis ...	Inactive	Seismic..
65	M88A						Yes				None
66	M89A						Yes				None
67	M90A						Yes				None
68	M91A						Yes	** NA **			None
69	M92						Yes	** NA **			None
70	M85	OOOXOO					Yes	** NA **			None
71	M87	BenPIN	BenPIN				Yes	Default			None
72	M89B						Yes	** NA **			None
73	M91B	OOOXOO					Yes	** NA **			None
74	M92A	BenPIN	BenPIN				Yes	Default			None
75	M93						Yes	** NA **			None
76	M95						Yes	Default			None
77	M96						Yes	Default			None
78	M97						Yes	Default			None
79	M98	BenPIN	OOOOXX				Yes				None
80	M99	BenPIN	OOOOXX				Yes				None
81	M100	BenPIN	OOOOXX				Yes				None
82	M101	BenPIN	OOOOXX				Yes				None
83	M102	BenPIN	OOOOXX				Yes				None
84	M103	BenPIN	OOOOXX				Yes				None
85	M104	BenPIN	OOOOXX				Yes				None
86	M105	BenPIN	OOOOXX				Yes				None
87	M106	BenPIN	OOOOXX				Yes				None
88	M107	BenPIN	OOOOXX				Yes				None
89	M108	BenPIN	OOOOXX				Yes				None
90	M109	BenPIN	OOOOXX				Yes				None
91	M110	BenPIN	BenPIN				Yes				None
92	M111	BenPIN	BenPIN				Yes				None
93	M112	BenPIN	BenPIN				Yes				None
94	M113	BenPIN	BenPIN				Yes				None
95	M114	BenPIN	BenPIN				Yes				None
96	M114A						Yes	** NA **			None
97	M115						Yes	** NA **			None
98	M116						Yes	** NA **			None
99	M117						Yes	** NA **			None
100	M118						Yes				None
101	M120						Yes	** NA **			None
102	M121						Yes	** NA **			None
103	M122	BenPIN					Yes	** NA **			None
104	M123						Yes	** NA **			None
105	M124						Yes	** NA **			None
106	M125						Yes	** NA **			None
107	M126						Yes	** NA **			None
108	M125A						Yes				None
109	M126A						Yes				None
110	M125B	BenPIN	BenPIN				Yes				None
111	M126B	BenPIN	BenPIN				Yes				None
112	M127	BenPIN	BenPIN				Yes				None
113	M128A						Yes				None
114	M129	OOOOXO					Yes	** NA **			None
115	M130A	OOOOXO					Yes	** NA **			None
116	M131						Yes				None
117	M132	OOOOXO					Yes	** NA **			None
118	M133	OOOOXO					Yes	** NA **			None
119	M134						Yes				None
120	M135	OOOOXO					Yes	** NA **			None
121	M136	OOOOXO					Yes	** NA **			None



Member Advanced Data (Continued)

	Label	I Release	J Release	I Offset[in]	J Offset[in]	T/C Only	Physical	Defl Rat..	Analysis ...	Inactive	Seismic..
122	M137						Yes	** NA **			None
123	M138						Yes	** NA **			None
124	M139						Yes	** NA **			None
125	M140						Yes	** NA **			None
126	M139A						Yes				None
127	M142						Yes	** NA **			None
128	M143						Yes	** NA **			None
129	M144						Yes	** NA **			None
130	M145						Yes	** NA **			None
131	M146						Yes	** NA **			None
132	M147						Yes	** NA **			None
133	M148						Yes				None
134	M151						Yes	** NA **			None
135	M152						Yes	** NA **			None
136	M153						Yes	** NA **			None
137	M154						Yes	** NA **			None
138	M155						Yes	** NA **			None
139	M156						Yes	** NA **			None
140	M147A						Yes	** NA **			None
141	M148A						Yes	** NA **			None
142	M149A						Yes	** NA **			None
143	M143A						Yes	** NA **			None
144	M144A						Yes	** NA **			None
145	M145A		OOOXOO				Yes	** NA **			None
146	M146A		OOOXOO				Yes	** NA **			None
147	M147B						Yes				None
148	M148B						Yes				None
149	M149						Yes	** NA **			None
150	M150						Yes	** NA **			None
151	M151A		OOOXOO				Yes	** NA **			None
152	M152A		OOOXOO				Yes	** NA **			None
153	M153A						Yes				None
154	M154A						Yes				None
155	M155A						Yes	** NA **			None
156	M156A						Yes	** NA **			None
157	M157		OOOXOO				Yes	** NA **			None
158	M158		OOOXOO				Yes	** NA **			None
159	M159						Yes				None
160	M160						Yes				None
161	MP3C						Yes				None
162	R2						Yes				None
163	M163		OOOXOO				Yes	** NA **			None
164	M164		OOOXOO				Yes	** NA **			None

Member Point Loads (BLC 1 : Antenna D)

	Member Label	Direction	Magnitude[lb.k-ft]	Location[ft. %]
1	MP1B	Y	-40.8	4
2	MP1B	My	.01	4
3	MP1B	Mz	-.018	4
4	MP1B	Y	-40.8	6
5	MP1B	My	.01	6
6	MP1B	Mz	-.018	6
7	MP1C	Y	-40.8	4
8	MP1C	My	.01	4
9	MP1C	Mz	.018	4



Member Point Loads (BLC 1 : Antenna D) (Continued)

	Member Label	Direction	Magnitude[lb.k-ft]	Location[ft.%]
10	MP1C	Y	-40.8	6
11	MP1C	My	.01	6
12	MP1C	Mz	.018	6
13	MP2A	Y	-40.8	4
14	MP2A	My	-.02	4
15	MP2A	Mz	0	4
16	MP2A	Y	-40.8	6
17	MP2A	My	-.02	6
18	MP2A	Mz	0	6
19	MP2C	Y	-71.45	4.25
20	MP2C	My	.066	4.25
21	MP2C	Mz	-.023	4.25
22	MP2C	Y	-71.45	7.75
23	MP2C	My	.066	7.75
24	MP2C	Mz	-.023	7.75
25	MP2C	Y	-71.45	4.25
26	MP2C	My	-.011	4.25
27	MP2C	Mz	.069	4.25
28	MP2C	Y	-71.45	7.75
29	MP2C	My	-.011	7.75
30	MP2C	Mz	.069	7.75
31	MP3C	Y	-71.45	4.25
32	MP3C	My	.023	4.25
33	MP3C	Mz	.066	4.25
34	MP3C	Y	-71.45	7.75
35	MP3C	My	.023	7.75
36	MP3C	Mz	.066	7.75
37	MP3C	Y	-71.45	4.25
38	MP3C	My	-.069	4.25
39	MP3C	Mz	-.011	4.25
40	MP3C	Y	-71.45	7.75
41	MP3C	My	-.069	7.75
42	MP3C	Mz	-.011	7.75
43	MP4A	Y	-71.45	4.25
44	MP4A	My	-.066	4.25
45	MP4A	Mz	.023	4.25
46	MP4A	Y	-71.45	7.75
47	MP4A	My	-.066	7.75
48	MP4A	Mz	.023	7.75
49	MP4B	Y	-71.45	4.25
50	MP4B	My	-.023	4.25
51	MP4B	Mz	-.066	4.25
52	MP4B	Y	-71.45	7.75
53	MP4B	My	-.023	7.75
54	MP4B	Mz	-.066	7.75
55	MP4A	Y	-71.45	4.25
56	MP4A	My	.011	4.25
57	MP4A	Mz	-.069	4.25
58	MP4A	Y	-71.45	7.75
59	MP4A	My	.011	7.75
60	MP4A	Mz	-.069	7.75
61	MP4B	Y	-71.45	4.25
62	MP4B	My	.069	4.25
63	MP4B	Mz	.011	4.25
64	MP4B	Y	-71.45	7.75
65	MP4B	My	.069	7.75
66	MP4B	Mz	.011	7.75



Member Point Loads (BLC 1 : Antenna D) (Continued)

	Member Label	Direction	Magnitude[lb.k-ft]	Location[ft.%]
67	MP2C	Y	-70	3.5
68	MP2C	My	-.068	3.5
69	MP2C	Mz	-.001	3.5
70	MP3C	Y	-70	3.5
71	MP3C	My	-.068	3.5
72	MP3C	Mz	-.001	3.5
73	MP4A	Y	-70	3.5
74	MP4A	My	.035	3.5
75	MP4A	Mz	-.058	3.5
76	MP4B	Y	-70	3.5
77	MP4B	My	.033	3.5
78	MP4B	Mz	.059	3.5
79	MP2C	Y	-75	3.5
80	MP2C	My	.035	3.5
81	MP2C	Mz	-.064	3.5
82	MP3C	Y	-75	3.5
83	MP3C	My	.035	3.5
84	MP3C	Mz	-.064	3.5
85	MP4A	Y	-75	3.5
86	MP4A	My	.037	3.5
87	MP4A	Mz	.063	3.5
88	MP4B	Y	-75	3.5
89	MP4B	My	-.073	3.5
90	MP4B	Mz	.001	3.5
91	R1	Y	-32	2
92	R1	My	0	2
93	R1	Mz	0	2
94	R2	Y	-32	1
95	R2	My	0	1
96	R2	Mz	0	1
97	MP1A	Y	-26.5	1.5
98	MP1A	My	-.013	1.5
99	MP1A	Mz	0	1.5

Member Point Loads (BLC 2 : Antenna Di)

	Member Label	Direction	Magnitude[lb.k-ft]	Location[ft.%]
1	MP1B	Y	-8.304	4
2	MP1B	My	.002	4
3	MP1B	Mz	-.004	4
4	MP1B	Y	-8.304	6
5	MP1B	My	.002	6
6	MP1B	Mz	-.004	6
7	MP1C	Y	-8.304	4
8	MP1C	My	.002	4
9	MP1C	Mz	.004	4
10	MP1C	Y	-8.304	6
11	MP1C	My	.002	6
12	MP1C	Mz	.004	6
13	MP2A	Y	-8.304	4
14	MP2A	My	-.004	4
15	MP2A	Mz	0	4
16	MP2A	Y	-8.304	6
17	MP2A	My	-.004	6
18	MP2A	Mz	0	6
19	MP2C	Y	-24.243	4.25
20	MP2C	My	.022	4.25



Member Point Loads (BLC 2 : Antenna Di) (Continued)

	Member Label	Direction	Magnitude[lb.k-ft]	Location[ft.%]
21	MP2C	Mz	-.008	4.25
22	MP2C	Y	-24.243	7.75
23	MP2C	My	.022	7.75
24	MP2C	Mz	-.008	7.75
25	MP2C	Y	-24.243	4.25
26	MP2C	My	-.004	4.25
27	MP2C	Mz	.023	4.25
28	MP2C	Y	-24.243	7.75
29	MP2C	My	-.004	7.75
30	MP2C	Mz	.023	7.75
31	MP3C	Y	-24.243	4.25
32	MP3C	My	.008	4.25
33	MP3C	Mz	.022	4.25
34	MP3C	Y	-24.243	7.75
35	MP3C	My	.008	7.75
36	MP3C	Mz	.022	7.75
37	MP3C	Y	-24.243	4.25
38	MP3C	My	-.023	4.25
39	MP3C	Mz	-.004	4.25
40	MP3C	Y	-24.243	7.75
41	MP3C	My	-.023	7.75
42	MP3C	Mz	-.004	7.75
43	MP4A	Y	-24.243	4.25
44	MP4A	My	-.022	4.25
45	MP4A	Mz	.008	4.25
46	MP4A	Y	-24.243	7.75
47	MP4A	My	-.022	7.75
48	MP4A	Mz	.008	7.75
49	MP4B	Y	-24.243	4.25
50	MP4B	My	-.008	4.25
51	MP4B	Mz	-.022	4.25
52	MP4B	Y	-24.243	7.75
53	MP4B	My	-.008	7.75
54	MP4B	Mz	-.022	7.75
55	MP4A	Y	-24.243	4.25
56	MP4A	My	.004	4.25
57	MP4A	Mz	-.023	4.25
58	MP4A	Y	-24.243	7.75
59	MP4A	My	.004	7.75
60	MP4A	Mz	-.023	7.75
61	MP4B	Y	-24.243	4.25
62	MP4B	My	.023	4.25
63	MP4B	Mz	.004	4.25
64	MP4B	Y	-24.243	7.75
65	MP4B	My	.023	7.75
66	MP4B	Mz	.004	7.75
67	MP2C	Y	-8.983	3.5
68	MP2C	My	-.009	3.5
69	MP2C	Mz	-.000147	3.5
70	MP3C	Y	-8.983	3.5
71	MP3C	My	-.009	3.5
72	MP3C	Mz	-.000147	3.5
73	MP4A	Y	-8.983	3.5
74	MP4A	My	.004	3.5
75	MP4A	Mz	-.007	3.5
76	MP4B	Y	-8.983	3.5
77	MP4B	My	.004	3.5



Member Point Loads (BLC 2 : Antenna Di) (Continued)

	Member Label	Direction	Magnitude[lb.k-ft]	Location[ft,%]
78	MP4B	Mz	.008	3.5
79	MP2C	Y	-9.899	3.5
80	MP2C	My	.005	3.5
81	MP2C	Mz	-.008	3.5
82	MP3C	Y	-9.899	3.5
83	MP3C	My	.005	3.5
84	MP3C	Mz	-.008	3.5
85	MP4A	Y	-9.899	3.5
86	MP4A	My	.005	3.5
87	MP4A	Mz	.008	3.5
88	MP4B	Y	-9.899	3.5
89	MP4B	My	-.01	3.5
90	MP4B	Mz	.000162	3.5
91	R1	Y	-17.651	2
92	R1	My	0	2
93	R1	Mz	0	2
94	R2	Y	-17.651	1
95	R2	My	0	1
96	R2	Mz	0	1
97	MP1A	Y	13.463	1.5
98	MP1A	My	.007	1.5
99	MP1A	Mz	0	1.5

Member Point Loads (BLC 3 : Antenna Wo (0 Deg))

	Member Label	Direction	Magnitude[lb.k-ft]	Location[ft,%]
1	MP1B	X	0	4
2	MP1B	Z	-35.678	4
3	MP1B	Mx	.015	4
4	MP1B	X	0	6
5	MP1B	Z	-35.678	6
6	MP1B	Mx	.015	6
7	MP1C	X	0	4
8	MP1C	Z	-35.678	4
9	MP1C	Mx	-.015	4
10	MP1C	X	0	6
11	MP1C	Z	-35.678	6
12	MP1C	Mx	-.015	6
13	MP2A	X	0	4
14	MP2A	Z	-54.922	4
15	MP2A	Mx	0	4
16	MP2A	X	0	6
17	MP2A	Z	-54.922	6
18	MP2A	Mx	0	6
19	MP2C	X	0	4.25
20	MP2C	Z	-169.692	4.25
21	MP2C	Mx	.054	4.25
22	MP2C	X	0	7.75
23	MP2C	Z	-169.692	7.75
24	MP2C	Mx	.054	7.75
25	MP2C	X	0	4.25
26	MP2C	Z	-169.692	4.25
27	MP2C	Mx	-.163	4.25
28	MP2C	X	0	7.75
29	MP2C	Z	-169.692	7.75
30	MP2C	Mx	-.163	7.75
31	MP3C	X	0	4.25



Member Point Loads (BLC 3 : Antenna Wo (0 Deg)) (Continued)

	Member Label	Direction	Magnitude[lb.k-ft]	Location[ft.%]
32	MP3C	Z	-149.997	4.25
33	MP3C	Mx	-.138	4.25
34	MP3C	X	0	7.75
35	MP3C	Z	-149.997	7.75
36	MP3C	Mx	-.138	7.75
37	MP3C	X	0	4.25
38	MP3C	Z	-149.997	4.25
39	MP3C	Mx	.023	4.25
40	MP3C	X	0	7.75
41	MP3C	Z	-149.997	7.75
42	MP3C	Mx	.023	7.75
43	MP4A	X	0	4.25
44	MP4A	Z	-169.692	4.25
45	MP4A	Mx	-.054	4.25
46	MP4A	X	0	7.75
47	MP4A	Z	-169.692	7.75
48	MP4A	Mx	-.054	7.75
49	MP4B	X	0	4.25
50	MP4B	Z	-149.997	4.25
51	MP4B	Mx	.138	4.25
52	MP4B	X	0	7.75
53	MP4B	Z	-149.997	7.75
54	MP4B	Mx	.138	7.75
55	MP4A	X	0	4.25
56	MP4A	Z	-169.692	4.25
57	MP4A	Mx	.163	4.25
58	MP4A	X	0	7.75
59	MP4A	Z	-169.692	7.75
60	MP4A	Mx	.163	7.75
61	MP4B	X	0	4.25
62	MP4B	Z	-149.997	4.25
63	MP4B	Mx	-.023	4.25
64	MP4B	X	0	7.75
65	MP4B	Z	-149.997	7.75
66	MP4B	Mx	-.023	7.75
67	MP2C	X	0	3.5
68	MP2C	Z	-45.022	3.5
69	MP2C	Mx	.000736	3.5
70	MP3C	X	0	3.5
71	MP3C	Z	-45.022	3.5
72	MP3C	Mx	.000736	3.5
73	MP4A	X	0	3.5
74	MP4A	Z	-45.022	3.5
75	MP4A	Mx	.038	3.5
76	MP4B	X	0	3.5
77	MP4B	Z	-45.022	3.5
78	MP4B	Mx	-.038	3.5
79	MP2C	X	0	3.5
80	MP2C	Z	-45.022	3.5
81	MP2C	Mx	.038	3.5
82	MP3C	X	0	3.5
83	MP3C	Z	-45.022	3.5
84	MP3C	Mx	.038	3.5
85	MP4A	X	0	3.5
86	MP4A	Z	-45.022	3.5
87	MP4A	Mx	-.038	3.5
88	MP4B	X	0	3.5



Member Point Loads (BLC 3 : Antenna Wo (0 Deg)) (Continued)

	Member Label	Direction	Magnitude[lb.k-ft]	Location[ft.%]
89	MP4B	Z	-45.022	3.5
90	MP4B	Mx	-0.00736	3.5
91	R1	X	0	2
92	R1	Z	-82.785	2
93	R1	Mx	0	2
94	R2	X	0	1
95	R2	Z	-82.785	1
96	R2	Mx	0	1
97	MP1A	X	0	1.5
98	MP1A	Z	-147.072	1.5
99	MP1A	Mx	0	1.5

Member Point Loads (BLC 4 : Antenna Wo (30 Deg))

	Member Label	Direction	Magnitude[lb.k-ft]	Location[ft.%]
1	MP1B	X	14.632	4
2	MP1B	Z	-25.343	4
3	MP1B	Mx	.015	4
4	MP1B	X	14.632	6
5	MP1B	Z	-25.343	6
6	MP1B	Mx	.015	6
7	MP1C	X	24.254	4
8	MP1C	Z	-42.009	4
9	MP1C	Mx	-.012	4
10	MP1C	X	24.254	6
11	MP1C	Z	-42.009	6
12	MP1C	Mx	-.012	6
13	MP2A	X	24.254	4
14	MP2A	Z	-42.009	4
15	MP2A	Mx	-.012	4
16	MP2A	X	24.254	6
17	MP2A	Z	-42.009	6
18	MP2A	Mx	-.012	6
19	MP2C	X	106.567	4.25
20	MP2C	Z	-184.579	4.25
21	MP2C	Mx	.156	4.25
22	MP2C	X	106.567	7.75
23	MP2C	Z	-184.579	7.75
24	MP2C	Mx	.156	7.75
25	MP2C	X	106.567	4.25
26	MP2C	Z	-184.579	4.25
27	MP2C	Mx	-.193	4.25
28	MP2C	X	106.567	7.75
29	MP2C	Z	-184.579	7.75
30	MP2C	Mx	-.193	7.75
31	MP3C	X	53.277	4.25
32	MP3C	Z	-92.279	4.25
33	MP3C	Mx	-.068	4.25
34	MP3C	X	53.277	7.75
35	MP3C	Z	-92.279	7.75
36	MP3C	Mx	-.068	7.75
37	MP3C	X	53.277	4.25
38	MP3C	Z	-92.279	4.25
39	MP3C	Mx	-.037	4.25
40	MP3C	X	53.277	7.75
41	MP3C	Z	-92.279	7.75
42	MP3C	Mx	-.037	7.75



Member Point Loads (BLC 4 : Antenna Wo (30 Deg)) (Continued)

	Member Label	Direction	Magnitude[lb.k-ft]	Location[ft.%]
43	MP4A	X	106.567	4.25
44	MP4A	Z	-184.579	4.25
45	MP4A	Mx	-.156	4.25
46	MP4A	X	106.567	7.75
47	MP4A	Z	-184.579	7.75
48	MP4A	Mx	-.156	7.75
49	MP4B	X	53.277	4.25
50	MP4B	Z	-92.279	4.25
51	MP4B	Mx	.068	4.25
52	MP4B	X	53.277	7.75
53	MP4B	Z	-92.279	7.75
54	MP4B	Mx	.068	7.75
55	MP4A	X	106.567	4.25
56	MP4A	Z	-184.579	4.25
57	MP4A	Mx	.193	4.25
58	MP4A	X	106.567	7.75
59	MP4A	Z	-184.579	7.75
60	MP4A	Mx	.193	7.75
61	MP4B	X	53.277	4.25
62	MP4B	Z	-92.279	4.25
63	MP4B	Mx	.037	4.25
64	MP4B	X	53.277	7.75
65	MP4B	Z	-92.279	7.75
66	MP4B	Mx	.037	7.75
67	MP2C	X	22.511	3.5
68	MP2C	Z	-38.99	3.5
69	MP2C	Mx	-.021	3.5
70	MP3C	X	22.511	3.5
71	MP3C	Z	-38.99	3.5
72	MP3C	Mx	-.021	3.5
73	MP4A	X	22.511	3.5
74	MP4A	Z	-38.99	3.5
75	MP4A	Mx	.044	3.5
76	MP4B	X	22.511	3.5
77	MP4B	Z	-38.99	3.5
78	MP4B	Mx	-.023	3.5
79	MP2C	X	22.511	3.5
80	MP2C	Z	-38.99	3.5
81	MP2C	Mx	.044	3.5
82	MP3C	X	22.511	3.5
83	MP3C	Z	-38.99	3.5
84	MP3C	Mx	.044	3.5
85	MP4A	X	22.511	3.5
86	MP4A	Z	-38.99	3.5
87	MP4A	Mx	-.021	3.5
88	MP4B	X	22.511	3.5
89	MP4B	Z	-38.99	3.5
90	MP4B	Mx	-.023	3.5
91	R1	X	34.749	2
92	R1	Z	-60.187	2
93	R1	Mx	0	2
94	R2	X	34.749	1
95	R2	Z	-60.187	1
96	R2	Mx	0	1
97	MP1A	X	64.304	1.5
98	MP1A	Z	-111.378	1.5
99	MP1A	Mx	-.032	1.5



Member Point Loads (BLC 5 : Antenna Wo (60 Deg))

	Member Label	Direction	Magnitude[lb.k-ft]	Location[ft.%]
1	MP1B	X	30.898	4
2	MP1B	Z	-17.839	4
3	MP1B	Mx	.015	4
4	MP1B	X	30.898	6
5	MP1B	Z	-17.839	6
6	MP1B	Mx	.015	6
7	MP1C	X	47.564	4
8	MP1C	Z	-27.461	4
9	MP1C	Mx	0	4
10	MP1C	X	47.564	6
11	MP1C	Z	-27.461	6
12	MP1C	Mx	0	6
13	MP2A	X	30.898	4
14	MP2A	Z	-17.839	4
15	MP2A	Mx	-.015	4
16	MP2A	X	30.898	6
17	MP2A	Z	-17.839	6
18	MP2A	Mx	-.015	6
19	MP2C	X	176.051	4.25
20	MP2C	Z	-101.643	4.25
21	MP2C	Mx	.194	4.25
22	MP2C	X	176.051	7.75
23	MP2C	Z	-101.643	7.75
24	MP2C	Mx	.194	7.75
25	MP2C	X	176.051	4.25
26	MP2C	Z	-101.643	4.25
27	MP2C	Mx	-.124	4.25
28	MP2C	X	176.051	7.75
29	MP2C	Z	-101.643	7.75
30	MP2C	Mx	-.124	7.75
31	MP3C	X	100.807	4.25
32	MP3C	Z	-58.201	4.25
33	MP3C	Mx	-.022	4.25
34	MP3C	X	100.807	7.75
35	MP3C	Z	-58.201	7.75
36	MP3C	Mx	-.022	7.75
37	MP3C	X	100.807	4.25
38	MP3C	Z	-58.201	4.25
39	MP3C	Mx	-.088	4.25
40	MP3C	X	100.807	7.75
41	MP3C	Z	-58.201	7.75
42	MP3C	Mx	-.088	7.75
43	MP4A	X	176.051	4.25
44	MP4A	Z	-101.643	4.25
45	MP4A	Mx	-.194	4.25
46	MP4A	X	176.051	7.75
47	MP4A	Z	-101.643	7.75
48	MP4A	Mx	-.194	7.75
49	MP4B	X	100.807	4.25
50	MP4B	Z	-58.201	4.25
51	MP4B	Mx	.022	4.25
52	MP4B	X	100.807	7.75
53	MP4B	Z	-58.201	7.75
54	MP4B	Mx	.022	7.75
55	MP4A	X	176.051	4.25
56	MP4A	Z	-101.643	4.25
57	MP4A	Mx	.124	4.25



Member Point Loads (BLC 5 : Antenna Wo (60 Deg)) (Continued)

	Member Label	Direction	Magnitude[lb.k-ft]	Location[ft.%]
58	MP4A	X	176.051	7.75
59	MP4A	Z	-101.643	7.75
60	MP4A	Mx	.124	7.75
61	MP4B	X	100.807	4.25
62	MP4B	Z	-58.201	4.25
63	MP4B	Mx	.088	4.25
64	MP4B	X	100.807	7.75
65	MP4B	Z	-58.201	7.75
66	MP4B	Mx	.088	7.75
67	MP2C	X	38.99	3.5
68	MP2C	Z	-22.511	3.5
69	MP2C	Mx	-.038	3.5
70	MP3C	X	38.99	3.5
71	MP3C	Z	-22.511	3.5
72	MP3C	Mx	-.038	3.5
73	MP4A	X	38.99	3.5
74	MP4A	Z	-22.511	3.5
75	MP4A	Mx	.038	3.5
76	MP4B	X	38.99	3.5
77	MP4B	Z	-22.511	3.5
78	MP4B	Mx	-.000736	3.5
79	MP2C	X	38.99	3.5
80	MP2C	Z	-22.511	3.5
81	MP2C	Mx	.038	3.5
82	MP3C	X	38.99	3.5
83	MP3C	Z	-22.511	3.5
84	MP3C	Mx	.038	3.5
85	MP4A	X	38.99	3.5
86	MP4A	Z	-22.511	3.5
87	MP4A	Mx	.000736	3.5
88	MP4B	X	38.99	3.5
89	MP4B	Z	-22.511	3.5
90	MP4B	Mx	-.038	3.5
91	R1	X	62.795	2
92	R1	Z	-36.255	2
93	R1	Mx	0	2
94	R2	X	62.795	1
95	R2	Z	-36.255	1
96	R2	Mx	0	1
97	MP1A	X	79.398	1.5
98	MP1A	Z	-45.841	1.5
99	MP1A	Mx	-.04	1.5

Member Point Loads (BLC 6 : Antenna Wo (90 Deg))

	Member Label	Direction	Magnitude[lb.k-ft]	Location[ft.%]
1	MP1B	X	48.507	4
2	MP1B	Z	0	4
3	MP1B	Mx	.012	4
4	MP1B	X	48.507	6
5	MP1B	Z	0	6
6	MP1B	Mx	.012	6
7	MP1C	X	48.507	4
8	MP1C	Z	0	4
9	MP1C	Mx	.012	4
10	MP1C	X	48.507	6
11	MP1C	Z	0	6



Member Point Loads (BLC 6 : Antenna Wo (90 Deg)) (Continued)

	Member Label	Direction	Magnitude[lb.k-ft]	Location[ft.%]
12	MP1C	Mx	.012	6
13	MP2A	X	29.263	4
14	MP2A	Z	0	4
15	MP2A	Mx	-.015	4
16	MP2A	X	29.263	6
17	MP2A	Z	0	6
18	MP2A	Mx	-.015	6
19	MP2C	X	149.997	4.25
20	MP2C	Z	0	4.25
21	MP2C	Mx	.138	4.25
22	MP2C	X	149.997	7.75
23	MP2C	Z	0	7.75
24	MP2C	Mx	.138	7.75
25	MP2C	X	149.997	4.25
26	MP2C	Z	0	4.25
27	MP2C	Mx	-.023	4.25
28	MP2C	X	149.997	7.75
29	MP2C	Z	0	7.75
30	MP2C	Mx	-.023	7.75
31	MP3C	X	169.692	4.25
32	MP3C	Z	0	4.25
33	MP3C	Mx	.054	4.25
34	MP3C	X	169.692	7.75
35	MP3C	Z	0	7.75
36	MP3C	Mx	.054	7.75
37	MP3C	X	169.692	4.25
38	MP3C	Z	0	4.25
39	MP3C	Mx	-.163	4.25
40	MP3C	X	169.692	7.75
41	MP3C	Z	0	7.75
42	MP3C	Mx	-.163	7.75
43	MP4A	X	149.997	4.25
44	MP4A	Z	0	4.25
45	MP4A	Mx	-.138	4.25
46	MP4A	X	149.997	7.75
47	MP4A	Z	0	7.75
48	MP4A	Mx	-.138	7.75
49	MP4B	X	169.692	4.25
50	MP4B	Z	0	4.25
51	MP4B	Mx	-.054	4.25
52	MP4B	X	169.692	7.75
53	MP4B	Z	0	7.75
54	MP4B	Mx	-.054	7.75
55	MP4A	X	149.997	4.25
56	MP4A	Z	0	4.25
57	MP4A	Mx	.023	4.25
58	MP4A	X	149.997	7.75
59	MP4A	Z	0	7.75
60	MP4A	Mx	.023	7.75
61	MP4B	X	169.692	4.25
62	MP4B	Z	0	4.25
63	MP4B	Mx	.163	4.25
64	MP4B	X	169.692	7.75
65	MP4B	Z	0	7.75
66	MP4B	Mx	.163	7.75
67	MP2C	X	45.022	3.5
68	MP2C	Z	0	3.5



Member Point Loads (BLC 6 : Antenna Wo (90 Deg)) (Continued)

	Member Label	Direction	Magnitude[lb.k-ft]	Location[ft.%]
69	MP2C	Mx	-.044	3.5
70	MP3C	X	45.022	3.5
71	MP3C	Z	0	3.5
72	MP3C	Mx	-.044	3.5
73	MP4A	X	45.022	3.5
74	MP4A	Z	0	3.5
75	MP4A	Mx	.023	3.5
76	MP4B	X	45.022	3.5
77	MP4B	Z	0	3.5
78	MP4B	Mx	.021	3.5
79	MP2C	X	45.022	3.5
80	MP2C	Z	0	3.5
81	MP2C	Mx	.021	3.5
82	MP3C	X	45.022	3.5
83	MP3C	Z	0	3.5
84	MP3C	Mx	.021	3.5
85	MP4A	X	45.022	3.5
86	MP4A	Z	0	3.5
87	MP4A	Mx	.023	3.5
88	MP4B	X	45.022	3.5
89	MP4B	Z	0	3.5
90	MP4B	Mx	-.044	3.5
91	R1	X	88.808	2
92	R1	Z	0	2
93	R1	Mx	0	2
94	R2	X	88.808	1
95	R2	Z	0	1
96	R2	Mx	0	1
97	MP1A	X	73.217	1.5
98	MP1A	Z	0	1.5
99	MP1A	Mx	-.037	1.5

Member Point Loads (BLC 7 : Antenna Wo (120 Deg))

	Member Label	Direction	Magnitude[lb.k-ft]	Location[ft.%]
1	MP1B	X	47.564	4
2	MP1B	Z	27.461	4
3	MP1B	Mx	0	4
4	MP1B	X	47.564	6
5	MP1B	Z	27.461	6
6	MP1B	Mx	0	6
7	MP1C	X	30.898	4
8	MP1C	Z	17.839	4
9	MP1C	Mx	.015	4
10	MP1C	X	30.898	6
11	MP1C	Z	17.839	6
12	MP1C	Mx	.015	6
13	MP2A	X	30.898	4
14	MP2A	Z	17.839	4
15	MP2A	Mx	-.015	4
16	MP2A	X	30.898	6
17	MP2A	Z	17.839	6
18	MP2A	Mx	-.015	6
19	MP2C	X	92.279	4.25
20	MP2C	Z	53.277	4.25
21	MP2C	Mx	.068	4.25
22	MP2C	X	92.279	7.75



Member Point Loads (BLC 7 : Antenna Wo (120 Deg)) (Continued)

	Member Label	Direction	Magnitude[lb.k-ft]	Location[ft.%]
23	MP2C	Z	53.277	7.75
24	MP2C	Mx	.068	7.75
25	MP2C	X	92.279	4.25
26	MP2C	Z	53.277	4.25
27	MP2C	Mx	.037	4.25
28	MP2C	X	92.279	7.75
29	MP2C	Z	53.277	7.75
30	MP2C	Mx	.037	7.75
31	MP3C	X	184.579	4.25
32	MP3C	Z	106.567	4.25
33	MP3C	Mx	.156	4.25
34	MP3C	X	184.579	7.75
35	MP3C	Z	106.567	7.75
36	MP3C	Mx	.156	7.75
37	MP3C	X	184.579	4.25
38	MP3C	Z	106.567	4.25
39	MP3C	Mx	-.193	4.25
40	MP3C	X	184.579	7.75
41	MP3C	Z	106.567	7.75
42	MP3C	Mx	-.193	7.75
43	MP4A	X	92.279	4.25
44	MP4A	Z	53.277	4.25
45	MP4A	Mx	-.068	4.25
46	MP4A	X	92.279	7.75
47	MP4A	Z	53.277	7.75
48	MP4A	Mx	-.068	7.75
49	MP4B	X	184.579	4.25
50	MP4B	Z	106.567	4.25
51	MP4B	Mx	-.156	4.25
52	MP4B	X	184.579	7.75
53	MP4B	Z	106.567	7.75
54	MP4B	Mx	-.156	7.75
55	MP4A	X	92.279	4.25
56	MP4A	Z	53.277	4.25
57	MP4A	Mx	-.037	4.25
58	MP4A	X	92.279	7.75
59	MP4A	Z	53.277	7.75
60	MP4A	Mx	-.037	7.75
61	MP4B	X	184.579	4.25
62	MP4B	Z	106.567	4.25
63	MP4B	Mx	.193	4.25
64	MP4B	X	184.579	7.75
65	MP4B	Z	106.567	7.75
66	MP4B	Mx	.193	7.75
67	MP2C	X	38.99	3.5
68	MP2C	Z	22.511	3.5
69	MP2C	Mx	-.038	3.5
70	MP3C	X	38.99	3.5
71	MP3C	Z	22.511	3.5
72	MP3C	Mx	-.038	3.5
73	MP4A	X	38.99	3.5
74	MP4A	Z	22.511	3.5
75	MP4A	Mx	.000736	3.5
76	MP4B	X	38.99	3.5
77	MP4B	Z	22.511	3.5
78	MP4B	Mx	.038	3.5
79	MP2C	X	38.99	3.5



Member Point Loads (BLC 7 : Antenna Wo (120 Deg)) (Continued)

	Member Label	Direction	Magnitude[lb.k-ft]	Location[ft.%]
80	MP2C	Z	22.511	3.5
81	MP2C	Mx	-.000736	3.5
82	MP3C	X	38.99	3.5
83	MP3C	Z	22.511	3.5
84	MP3C	Mx	-.000736	3.5
85	MP4A	X	38.99	3.5
86	MP4A	Z	22.511	3.5
87	MP4A	Mx	.038	3.5
88	MP4B	X	38.99	3.5
89	MP4B	Z	22.511	3.5
90	MP4B	Mx	-.038	3.5
91	R1	X	88.417	2
92	R1	Z	51.048	2
93	R1	Mx	0	2
94	R2	X	88.417	1
95	R2	Z	51.048	1
96	R2	Mx	0	1
97	MP1A	X	79.398	1.5
98	MP1A	Z	45.841	1.5
99	MP1A	Mx	-.04	1.5

Member Point Loads (BLC 8 : Antenna Wo (150 Deg))

	Member Label	Direction	Magnitude[lb.k-ft]	Location[ft.%]
1	MP1B	X	24.254	4
2	MP1B	Z	42.009	4
3	MP1B	Mx	-.012	4
4	MP1B	X	24.254	6
5	MP1B	Z	42.009	6
6	MP1B	Mx	-.012	6
7	MP1C	X	14.632	4
8	MP1C	Z	25.343	4
9	MP1C	Mx	.015	4
10	MP1C	X	14.632	6
11	MP1C	Z	25.343	6
12	MP1C	Mx	.015	6
13	MP2A	X	24.254	4
14	MP2A	Z	42.009	4
15	MP2A	Mx	-.012	4
16	MP2A	X	24.254	6
17	MP2A	Z	42.009	6
18	MP2A	Mx	-.012	6
19	MP2C	X	58.201	4.25
20	MP2C	Z	100.807	4.25
21	MP2C	Mx	.022	4.25
22	MP2C	X	58.201	7.75
23	MP2C	Z	100.807	7.75
24	MP2C	Mx	.022	7.75
25	MP2C	X	58.201	4.25
26	MP2C	Z	100.807	4.25
27	MP2C	Mx	.088	4.25
28	MP2C	X	58.201	7.75
29	MP2C	Z	100.807	7.75
30	MP2C	Mx	.088	7.75
31	MP3C	X	101.643	4.25
32	MP3C	Z	176.051	4.25
33	MP3C	Mx	.194	4.25



Member Point Loads (BLC 8 : Antenna Wo (150 Deg)) (Continued)

	Member Label	Direction	Magnitude[lb.k-ft]	Location[ft.%]
34	MP3C	X	101.643	7.75
35	MP3C	Z	176.051	7.75
36	MP3C	Mx	.194	7.75
37	MP3C	X	101.643	4.25
38	MP3C	Z	176.051	4.25
39	MP3C	Mx	-.124	4.25
40	MP3C	X	101.643	7.75
41	MP3C	Z	176.051	7.75
42	MP3C	Mx	-.124	7.75
43	MP4A	X	58.201	4.25
44	MP4A	Z	100.807	4.25
45	MP4A	Mx	-.022	4.25
46	MP4A	X	58.201	7.75
47	MP4A	Z	100.807	7.75
48	MP4A	Mx	-.022	7.75
49	MP4B	X	101.643	4.25
50	MP4B	Z	176.051	4.25
51	MP4B	Mx	-.194	4.25
52	MP4B	X	101.643	7.75
53	MP4B	Z	176.051	7.75
54	MP4B	Mx	-.194	7.75
55	MP4A	X	58.201	4.25
56	MP4A	Z	100.807	4.25
57	MP4A	Mx	-.088	4.25
58	MP4A	X	58.201	7.75
59	MP4A	Z	100.807	7.75
60	MP4A	Mx	-.088	7.75
61	MP4B	X	101.643	4.25
62	MP4B	Z	176.051	4.25
63	MP4B	Mx	.124	4.25
64	MP4B	X	101.643	7.75
65	MP4B	Z	176.051	7.75
66	MP4B	Mx	.124	7.75
67	MP2C	X	22.511	3.5
68	MP2C	Z	38.99	3.5
69	MP2C	Mx	-.023	3.5
70	MP3C	X	22.511	3.5
71	MP3C	Z	38.99	3.5
72	MP3C	Mx	-.023	3.5
73	MP4A	X	22.511	3.5
74	MP4A	Z	38.99	3.5
75	MP4A	Mx	-.021	3.5
76	MP4B	X	22.511	3.5
77	MP4B	Z	38.99	3.5
78	MP4B	Mx	.044	3.5
79	MP2C	X	22.511	3.5
80	MP2C	Z	38.99	3.5
81	MP2C	Mx	-.023	3.5
82	MP3C	X	22.511	3.5
83	MP3C	Z	38.99	3.5
84	MP3C	Mx	-.023	3.5
85	MP4A	X	22.511	3.5
86	MP4A	Z	38.99	3.5
87	MP4A	Mx	.044	3.5
88	MP4B	X	22.511	3.5
89	MP4B	Z	38.99	3.5
90	MP4B	Mx	-.021	3.5



Member Point Loads (BLC 8 : Antenna Wo (150 Deg)) (Continued)

	Member Label	Direction	Magnitude[lb.k-ft]	Location[ft.%]
91	R1	X	49.542	2
92	R1	Z	85.809	2
93	R1	Mx	0	2
94	R2	X	49.542	1
95	R2	Z	85.809	1
96	R2	Mx	0	1
97	MP1A	X	64.304	1.5
98	MP1A	Z	111.378	1.5
99	MP1A	Mx	-.032	1.5

Member Point Loads (BLC 9 : Antenna Wo (180 Deg))

	Member Label	Direction	Magnitude[lb.k-ft]	Location[ft.%]
1	MP1B	X	0	4
2	MP1B	Z	35.678	4
3	MP1B	Mx	-.015	4
4	MP1B	X	0	6
5	MP1B	Z	35.678	6
6	MP1B	Mx	-.015	6
7	MP1C	X	0	4
8	MP1C	Z	35.678	4
9	MP1C	Mx	.015	4
10	MP1C	X	0	6
11	MP1C	Z	35.678	6
12	MP1C	Mx	.015	6
13	MP2A	X	0	4
14	MP2A	Z	54.922	4
15	MP2A	Mx	0	4
16	MP2A	X	0	6
17	MP2A	Z	54.922	6
18	MP2A	Mx	0	6
19	MP2C	X	0	4.25
20	MP2C	Z	169.692	4.25
21	MP2C	Mx	-.054	4.25
22	MP2C	X	0	7.75
23	MP2C	Z	169.692	7.75
24	MP2C	Mx	-.054	7.75
25	MP2C	X	0	4.25
26	MP2C	Z	169.692	4.25
27	MP2C	Mx	.163	4.25
28	MP2C	X	0	7.75
29	MP2C	Z	169.692	7.75
30	MP2C	Mx	.163	7.75
31	MP3C	X	0	4.25
32	MP3C	Z	149.997	4.25
33	MP3C	Mx	.138	4.25
34	MP3C	X	0	7.75
35	MP3C	Z	149.997	7.75
36	MP3C	Mx	.138	7.75
37	MP3C	X	0	4.25
38	MP3C	Z	149.997	4.25
39	MP3C	Mx	-.023	4.25
40	MP3C	X	0	7.75
41	MP3C	Z	149.997	7.75
42	MP3C	Mx	-.023	7.75
43	MP4A	X	0	4.25
44	MP4A	Z	169.692	4.25



Member Point Loads (BLC 9 : Antenna Wo (180 Deg)) (Continued)

	Member Label	Direction	Magnitude[lb.k-ft]	Location[ft.%]
45	MP4A	Mx	.054	4.25
46	MP4A	X	0	7.75
47	MP4A	Z	169.692	7.75
48	MP4A	Mx	.054	7.75
49	MP4B	X	0	4.25
50	MP4B	Z	149.997	4.25
51	MP4B	Mx	-.138	4.25
52	MP4B	X	0	7.75
53	MP4B	Z	149.997	7.75
54	MP4B	Mx	-.138	7.75
55	MP4A	X	0	4.25
56	MP4A	Z	169.692	4.25
57	MP4A	Mx	-.163	4.25
58	MP4A	X	0	7.75
59	MP4A	Z	169.692	7.75
60	MP4A	Mx	-.163	7.75
61	MP4B	X	0	4.25
62	MP4B	Z	149.997	4.25
63	MP4B	Mx	.023	4.25
64	MP4B	X	0	7.75
65	MP4B	Z	149.997	7.75
66	MP4B	Mx	.023	7.75
67	MP2C	X	0	3.5
68	MP2C	Z	45.022	3.5
69	MP2C	Mx	-.000736	3.5
70	MP3C	X	0	3.5
71	MP3C	Z	45.022	3.5
72	MP3C	Mx	-.000736	3.5
73	MP4A	X	0	3.5
74	MP4A	Z	45.022	3.5
75	MP4A	Mx	-.038	3.5
76	MP4B	X	0	3.5
77	MP4B	Z	45.022	3.5
78	MP4B	Mx	.038	3.5
79	MP2C	X	0	3.5
80	MP2C	Z	45.022	3.5
81	MP2C	Mx	-.038	3.5
82	MP3C	X	0	3.5
83	MP3C	Z	45.022	3.5
84	MP3C	Mx	-.038	3.5
85	MP4A	X	0	3.5
86	MP4A	Z	45.022	3.5
87	MP4A	Mx	.038	3.5
88	MP4B	X	0	3.5
89	MP4B	Z	45.022	3.5
90	MP4B	Mx	.000736	3.5
91	R1	X	0	2
92	R1	Z	82.785	2
93	R1	Mx	0	2
94	R2	X	0	1
95	R2	Z	82.785	1
96	R2	Mx	0	1
97	MP1A	X	0	1.5
98	MP1A	Z	147.072	1.5
99	MP1A	Mx	0	1.5



Member Point Loads (BLC 10 : Antenna Wo (210 Deg))

	Member Label	Direction	Magnitude[lb.k-ft]	Location[ft.%]
1	MP1B	X	-14.632	4
2	MP1B	Z	25.343	4
3	MP1B	Mx	-.015	4
4	MP1B	X	-14.632	6
5	MP1B	Z	25.343	6
6	MP1B	Mx	-.015	6
7	MP1C	X	-24.254	4
8	MP1C	Z	42.009	4
9	MP1C	Mx	.012	4
10	MP1C	X	-24.254	6
11	MP1C	Z	42.009	6
12	MP1C	Mx	.012	6
13	MP2A	X	-24.254	4
14	MP2A	Z	42.009	4
15	MP2A	Mx	.012	4
16	MP2A	X	-24.254	6
17	MP2A	Z	42.009	6
18	MP2A	Mx	.012	6
19	MP2C	X	-106.567	4.25
20	MP2C	Z	184.579	4.25
21	MP2C	Mx	-.156	4.25
22	MP2C	X	-106.567	7.75
23	MP2C	Z	184.579	7.75
24	MP2C	Mx	-.156	7.75
25	MP2C	X	-106.567	4.25
26	MP2C	Z	184.579	4.25
27	MP2C	Mx	.193	4.25
28	MP2C	X	-106.567	7.75
29	MP2C	Z	184.579	7.75
30	MP2C	Mx	.193	7.75
31	MP3C	X	-53.277	4.25
32	MP3C	Z	92.279	4.25
33	MP3C	Mx	.068	4.25
34	MP3C	X	-53.277	7.75
35	MP3C	Z	92.279	7.75
36	MP3C	Mx	.068	7.75
37	MP3C	X	-53.277	4.25
38	MP3C	Z	92.279	4.25
39	MP3C	Mx	.037	4.25
40	MP3C	X	-53.277	7.75
41	MP3C	Z	92.279	7.75
42	MP3C	Mx	.037	7.75
43	MP4A	X	-106.567	4.25
44	MP4A	Z	184.579	4.25
45	MP4A	Mx	.156	4.25
46	MP4A	X	-106.567	7.75
47	MP4A	Z	184.579	7.75
48	MP4A	Mx	.156	7.75
49	MP4B	X	-53.277	4.25
50	MP4B	Z	92.279	4.25
51	MP4B	Mx	-.068	4.25
52	MP4B	X	-53.277	7.75
53	MP4B	Z	92.279	7.75
54	MP4B	Mx	-.068	7.75
55	MP4A	X	-106.567	4.25
56	MP4A	Z	184.579	4.25
57	MP4A	Mx	-.193	4.25



Member Point Loads (BLC 10 : Antenna Wo (210 Deg)) (Continued)

	Member Label	Direction	Magnitude[lb.k-ft]	Location[ft.%]
58	MP4A	X	-106.567	7.75
59	MP4A	Z	184.579	7.75
60	MP4A	Mx	-.193	7.75
61	MP4B	X	-53.277	4.25
62	MP4B	Z	92.279	4.25
63	MP4B	Mx	-.037	4.25
64	MP4B	X	-53.277	7.75
65	MP4B	Z	92.279	7.75
66	MP4B	Mx	-.037	7.75
67	MP2C	X	-22.511	3.5
68	MP2C	Z	38.99	3.5
69	MP2C	Mx	.021	3.5
70	MP3C	X	-22.511	3.5
71	MP3C	Z	38.99	3.5
72	MP3C	Mx	.021	3.5
73	MP4A	X	-22.511	3.5
74	MP4A	Z	38.99	3.5
75	MP4A	Mx	-.044	3.5
76	MP4B	X	-22.511	3.5
77	MP4B	Z	38.99	3.5
78	MP4B	Mx	.023	3.5
79	MP2C	X	-22.511	3.5
80	MP2C	Z	38.99	3.5
81	MP2C	Mx	-.044	3.5
82	MP3C	X	-22.511	3.5
83	MP3C	Z	38.99	3.5
84	MP3C	Mx	-.044	3.5
85	MP4A	X	-22.511	3.5
86	MP4A	Z	38.99	3.5
87	MP4A	Mx	.021	3.5
88	MP4B	X	-22.511	3.5
89	MP4B	Z	38.99	3.5
90	MP4B	Mx	.023	3.5
91	R1	X	-34.749	2
92	R1	Z	60.187	2
93	R1	Mx	0	2
94	R2	X	-34.749	1
95	R2	Z	60.187	1
96	R2	Mx	0	1
97	MP1A	X	-64.304	1.5
98	MP1A	Z	111.378	1.5
99	MP1A	Mx	.032	1.5

Member Point Loads (BLC 11 : Antenna Wo (240 Deg))

	Member Label	Direction	Magnitude[lb.k-ft]	Location[ft.%]
1	MP1B	X	-30.898	4
2	MP1B	Z	17.839	4
3	MP1B	Mx	-.015	4
4	MP1B	X	-30.898	6
5	MP1B	Z	17.839	6
6	MP1B	Mx	-.015	6
7	MP1C	X	-47.564	4
8	MP1C	Z	27.461	4
9	MP1C	Mx	0	4
10	MP1C	X	-47.564	6
11	MP1C	Z	27.461	6



Member Point Loads (BLC 11 : Antenna Wo (240 Deg)) (Continued)

	Member Label	Direction	Magnitude[lb.k-ft]	Location[ft.%]
12	MP1C	Mx	0	6
13	MP2A	X	-30.898	4
14	MP2A	Z	17.839	4
15	MP2A	Mx	.015	4
16	MP2A	X	-30.898	6
17	MP2A	Z	17.839	6
18	MP2A	Mx	.015	6
19	MP2C	X	-176.051	4.25
20	MP2C	Z	101.643	4.25
21	MP2C	Mx	-.194	4.25
22	MP2C	X	-176.051	7.75
23	MP2C	Z	101.643	7.75
24	MP2C	Mx	-.194	7.75
25	MP2C	X	-176.051	4.25
26	MP2C	Z	101.643	4.25
27	MP2C	Mx	.124	4.25
28	MP2C	X	-176.051	7.75
29	MP2C	Z	101.643	7.75
30	MP2C	Mx	.124	7.75
31	MP3C	X	-100.807	4.25
32	MP3C	Z	58.201	4.25
33	MP3C	Mx	.022	4.25
34	MP3C	X	-100.807	7.75
35	MP3C	Z	58.201	7.75
36	MP3C	Mx	.022	7.75
37	MP3C	X	-100.807	4.25
38	MP3C	Z	58.201	4.25
39	MP3C	Mx	.088	4.25
40	MP3C	X	-100.807	7.75
41	MP3C	Z	58.201	7.75
42	MP3C	Mx	.088	7.75
43	MP4A	X	-176.051	4.25
44	MP4A	Z	101.643	4.25
45	MP4A	Mx	.194	4.25
46	MP4A	X	-176.051	7.75
47	MP4A	Z	101.643	7.75
48	MP4A	Mx	.194	7.75
49	MP4B	X	-100.807	4.25
50	MP4B	Z	58.201	4.25
51	MP4B	Mx	-.022	4.25
52	MP4B	X	-100.807	7.75
53	MP4B	Z	58.201	7.75
54	MP4B	Mx	-.022	7.75
55	MP4A	X	-176.051	4.25
56	MP4A	Z	101.643	4.25
57	MP4A	Mx	-.124	4.25
58	MP4A	X	-176.051	7.75
59	MP4A	Z	101.643	7.75
60	MP4A	Mx	-.124	7.75
61	MP4B	X	-100.807	4.25
62	MP4B	Z	58.201	4.25
63	MP4B	Mx	-.088	4.25
64	MP4B	X	-100.807	7.75
65	MP4B	Z	58.201	7.75
66	MP4B	Mx	-.088	7.75
67	MP2C	X	-38.99	3.5
68	MP2C	Z	22.511	3.5



Member Point Loads (BLC 11 : Antenna Wo (240 Deg)) (Continued)

	Member Label	Direction	Magnitude[lb.k-ft]	Location[ft.%]
69	MP2C	Mx	.038	3.5
70	MP3C	X	-38.99	3.5
71	MP3C	Z	22.511	3.5
72	MP3C	Mx	.038	3.5
73	MP4A	X	-38.99	3.5
74	MP4A	Z	22.511	3.5
75	MP4A	Mx	-.038	3.5
76	MP4B	X	-38.99	3.5
77	MP4B	Z	22.511	3.5
78	MP4B	Mx	.000736	3.5
79	MP2C	X	-38.99	3.5
80	MP2C	Z	22.511	3.5
81	MP2C	Mx	-.038	3.5
82	MP3C	X	-38.99	3.5
83	MP3C	Z	22.511	3.5
84	MP3C	Mx	-.038	3.5
85	MP4A	X	-38.99	3.5
86	MP4A	Z	22.511	3.5
87	MP4A	Mx	-.000736	3.5
88	MP4B	X	-38.99	3.5
89	MP4B	Z	22.511	3.5
90	MP4B	Mx	.038	3.5
91	R1	X	-62.795	2
92	R1	Z	36.255	2
93	R1	Mx	0	2
94	R2	X	-62.795	1
95	R2	Z	36.255	1
96	R2	Mx	0	1
97	MP1A	X	-79.398	1.5
98	MP1A	Z	45.841	1.5
99	MP1A	Mx	.04	1.5

Member Point Loads (BLC 12 : Antenna Wo (270 Deg))

	Member Label	Direction	Magnitude[lb.k-ft]	Location[ft.%]
1	MP1B	X	-48.507	4
2	MP1B	Z	0	4
3	MP1B	Mx	-.012	4
4	MP1B	X	-48.507	6
5	MP1B	Z	0	6
6	MP1B	Mx	-.012	6
7	MP1C	X	-48.507	4
8	MP1C	Z	0	4
9	MP1C	Mx	-.012	4
10	MP1C	X	-48.507	6
11	MP1C	Z	0	6
12	MP1C	Mx	-.012	6
13	MP2A	X	-29.263	4
14	MP2A	Z	0	4
15	MP2A	Mx	.015	4
16	MP2A	X	-29.263	6
17	MP2A	Z	0	6
18	MP2A	Mx	.015	6
19	MP2C	X	-149.997	4.25
20	MP2C	Z	0	4.25
21	MP2C	Mx	-.138	4.25
22	MP2C	X	-149.997	7.75



Member Point Loads (BLC 12 : Antenna Wo (270 Deg)) (Continued)

	Member Label	Direction	Magnitude[lb.k-ft]	Location[ft.%]
23	MP2C	Z	0	7.75
24	MP2C	Mx	-.138	7.75
25	MP2C	X	-149.997	4.25
26	MP2C	Z	0	4.25
27	MP2C	Mx	.023	4.25
28	MP2C	X	-149.997	7.75
29	MP2C	Z	0	7.75
30	MP2C	Mx	.023	7.75
31	MP3C	X	-169.692	4.25
32	MP3C	Z	0	4.25
33	MP3C	Mx	-.054	4.25
34	MP3C	X	-169.692	7.75
35	MP3C	Z	0	7.75
36	MP3C	Mx	-.054	7.75
37	MP3C	X	-169.692	4.25
38	MP3C	Z	0	4.25
39	MP3C	Mx	.163	4.25
40	MP3C	X	-169.692	7.75
41	MP3C	Z	0	7.75
42	MP3C	Mx	.163	7.75
43	MP4A	X	-149.997	4.25
44	MP4A	Z	0	4.25
45	MP4A	Mx	.138	4.25
46	MP4A	X	-149.997	7.75
47	MP4A	Z	0	7.75
48	MP4A	Mx	.138	7.75
49	MP4B	X	-169.692	4.25
50	MP4B	Z	0	4.25
51	MP4B	Mx	.054	4.25
52	MP4B	X	-169.692	7.75
53	MP4B	Z	0	7.75
54	MP4B	Mx	.054	7.75
55	MP4A	X	-149.997	4.25
56	MP4A	Z	0	4.25
57	MP4A	Mx	-.023	4.25
58	MP4A	X	-149.997	7.75
59	MP4A	Z	0	7.75
60	MP4A	Mx	-.023	7.75
61	MP4B	X	-169.692	4.25
62	MP4B	Z	0	4.25
63	MP4B	Mx	-.163	4.25
64	MP4B	X	-169.692	7.75
65	MP4B	Z	0	7.75
66	MP4B	Mx	-.163	7.75
67	MP2C	X	-45.022	3.5
68	MP2C	Z	0	3.5
69	MP2C	Mx	.044	3.5
70	MP3C	X	-45.022	3.5
71	MP3C	Z	0	3.5
72	MP3C	Mx	.044	3.5
73	MP4A	X	-45.022	3.5
74	MP4A	Z	0	3.5
75	MP4A	Mx	-.023	3.5
76	MP4B	X	-45.022	3.5
77	MP4B	Z	0	3.5
78	MP4B	Mx	-.021	3.5
79	MP2C	X	-45.022	3.5



Member Point Loads (BLC 12 : Antenna Wo (270 Deg)) (Continued)

	Member Label	Direction	Magnitude[lb.k-ft]	Location[ft.%]
80	MP2C	Z	0	3.5
81	MP2C	Mx	-.021	3.5
82	MP3C	X	-45.022	3.5
83	MP3C	Z	0	3.5
84	MP3C	Mx	-.021	3.5
85	MP4A	X	-45.022	3.5
86	MP4A	Z	0	3.5
87	MP4A	Mx	-.023	3.5
88	MP4B	X	-45.022	3.5
89	MP4B	Z	0	3.5
90	MP4B	Mx	.044	3.5
91	R1	X	-88.808	2
92	R1	Z	0	2
93	R1	Mx	0	2
94	R2	X	-88.808	1
95	R2	Z	0	1
96	R2	Mx	0	1
97	MP1A	X	-73.217	1.5
98	MP1A	Z	0	1.5
99	MP1A	Mx	.037	1.5

Member Point Loads (BLC 13 : Antenna Wo (300 Deg))

	Member Label	Direction	Magnitude[lb.k-ft]	Location[ft.%]
1	MP1B	X	-47.564	4
2	MP1B	Z	-27.461	4
3	MP1B	Mx	0	4
4	MP1B	X	-47.564	6
5	MP1B	Z	-27.461	6
6	MP1B	Mx	0	6
7	MP1C	X	-30.898	4
8	MP1C	Z	-17.839	4
9	MP1C	Mx	-.015	4
10	MP1C	X	-30.898	6
11	MP1C	Z	-17.839	6
12	MP1C	Mx	-.015	6
13	MP2A	X	-30.898	4
14	MP2A	Z	-17.839	4
15	MP2A	Mx	.015	4
16	MP2A	X	-30.898	6
17	MP2A	Z	-17.839	6
18	MP2A	Mx	.015	6
19	MP2C	X	-92.279	4.25
20	MP2C	Z	-53.277	4.25
21	MP2C	Mx	-.068	4.25
22	MP2C	X	-92.279	7.75
23	MP2C	Z	-53.277	7.75
24	MP2C	Mx	-.068	7.75
25	MP2C	X	-92.279	4.25
26	MP2C	Z	-53.277	4.25
27	MP2C	Mx	-.037	4.25
28	MP2C	X	-92.279	7.75
29	MP2C	Z	-53.277	7.75
30	MP2C	Mx	-.037	7.75
31	MP3C	X	-184.579	4.25
32	MP3C	Z	-106.567	4.25
33	MP3C	Mx	-.156	4.25



Member Point Loads (BLC 13 : Antenna Wo (300 Deg)) (Continued)

	Member Label	Direction	Magnitude[lb.k-ft]	Location[ft.%]
34	MP3C	X	-184.579	7.75
35	MP3C	Z	-106.567	7.75
36	MP3C	Mx	-.156	7.75
37	MP3C	X	-184.579	4.25
38	MP3C	Z	-106.567	4.25
39	MP3C	Mx	.193	4.25
40	MP3C	X	-184.579	7.75
41	MP3C	Z	-106.567	7.75
42	MP3C	Mx	.193	7.75
43	MP4A	X	-92.279	4.25
44	MP4A	Z	-53.277	4.25
45	MP4A	Mx	.068	4.25
46	MP4A	X	-92.279	7.75
47	MP4A	Z	-53.277	7.75
48	MP4A	Mx	.068	7.75
49	MP4B	X	-184.579	4.25
50	MP4B	Z	-106.567	4.25
51	MP4B	Mx	.156	4.25
52	MP4B	X	-184.579	7.75
53	MP4B	Z	-106.567	7.75
54	MP4B	Mx	.156	7.75
55	MP4A	X	-92.279	4.25
56	MP4A	Z	-53.277	4.25
57	MP4A	Mx	.037	4.25
58	MP4A	X	-92.279	7.75
59	MP4A	Z	-53.277	7.75
60	MP4A	Mx	.037	7.75
61	MP4B	X	-184.579	4.25
62	MP4B	Z	-106.567	4.25
63	MP4B	Mx	-.193	4.25
64	MP4B	X	-184.579	7.75
65	MP4B	Z	-106.567	7.75
66	MP4B	Mx	-.193	7.75
67	MP2C	X	-38.99	3.5
68	MP2C	Z	-22.511	3.5
69	MP2C	Mx	.038	3.5
70	MP3C	X	-38.99	3.5
71	MP3C	Z	-22.511	3.5
72	MP3C	Mx	.038	3.5
73	MP4A	X	-38.99	3.5
74	MP4A	Z	-22.511	3.5
75	MP4A	Mx	-.000736	3.5
76	MP4B	X	-38.99	3.5
77	MP4B	Z	-22.511	3.5
78	MP4B	Mx	-.038	3.5
79	MP2C	X	-38.99	3.5
80	MP2C	Z	-22.511	3.5
81	MP2C	Mx	.000736	3.5
82	MP3C	X	-38.99	3.5
83	MP3C	Z	-22.511	3.5
84	MP3C	Mx	.000736	3.5
85	MP4A	X	-38.99	3.5
86	MP4A	Z	-22.511	3.5
87	MP4A	Mx	-.038	3.5
88	MP4B	X	-38.99	3.5
89	MP4B	Z	-22.511	3.5
90	MP4B	Mx	.038	3.5



Member Point Loads (BLC 13 : Antenna Wo (300 Deg)) (Continued)

	Member Label	Direction	Magnitude[lb.k-ft]	Location[ft.%]
91	R1	X	-88.417	2
92	R1	Z	-51.048	2
93	R1	Mx	0	2
94	R2	X	-88.417	1
95	R2	Z	-51.048	1
96	R2	Mx	0	1
97	MP1A	X	-79.398	1.5
98	MP1A	Z	-45.841	1.5
99	MP1A	Mx	.04	1.5

Member Point Loads (BLC 14 : Antenna Wo (330 Deg))

	Member Label	Direction	Magnitude[lb.k-ft]	Location[ft.%]
1	MP1B	X	-24.254	4
2	MP1B	Z	-42.009	4
3	MP1B	Mx	.012	4
4	MP1B	X	-24.254	6
5	MP1B	Z	-42.009	6
6	MP1B	Mx	.012	6
7	MP1C	X	-14.632	4
8	MP1C	Z	-25.343	4
9	MP1C	Mx	-.015	4
10	MP1C	X	-14.632	6
11	MP1C	Z	-25.343	6
12	MP1C	Mx	-.015	6
13	MP2A	X	-24.254	4
14	MP2A	Z	-42.009	4
15	MP2A	Mx	.012	4
16	MP2A	X	-24.254	6
17	MP2A	Z	-42.009	6
18	MP2A	Mx	.012	6
19	MP2C	X	-58.201	4.25
20	MP2C	Z	-100.807	4.25
21	MP2C	Mx	-.022	4.25
22	MP2C	X	-58.201	7.75
23	MP2C	Z	-100.807	7.75
24	MP2C	Mx	-.022	7.75
25	MP2C	X	-58.201	4.25
26	MP2C	Z	-100.807	4.25
27	MP2C	Mx	-.088	4.25
28	MP2C	X	-58.201	7.75
29	MP2C	Z	-100.807	7.75
30	MP2C	Mx	-.088	7.75
31	MP3C	X	-101.643	4.25
32	MP3C	Z	-176.051	4.25
33	MP3C	Mx	-.194	4.25
34	MP3C	X	-101.643	7.75
35	MP3C	Z	-176.051	7.75
36	MP3C	Mx	-.194	7.75
37	MP3C	X	-101.643	4.25
38	MP3C	Z	-176.051	4.25
39	MP3C	Mx	.124	4.25
40	MP3C	X	-101.643	7.75
41	MP3C	Z	-176.051	7.75
42	MP3C	Mx	.124	7.75
43	MP4A	X	-58.201	4.25
44	MP4A	Z	-100.807	4.25



Member Point Loads (BLC 14 : Antenna Wo (330 Deg)) (Continued)

	Member Label	Direction	Magnitude[lb.k-ft]	Location[ft.%]
45	MP4A	Mx	.022	4.25
46	MP4A	X	-58.201	7.75
47	MP4A	Z	-100.807	7.75
48	MP4A	Mx	.022	7.75
49	MP4B	X	-101.643	4.25
50	MP4B	Z	-176.051	4.25
51	MP4B	Mx	.194	4.25
52	MP4B	X	-101.643	7.75
53	MP4B	Z	-176.051	7.75
54	MP4B	Mx	.194	7.75
55	MP4A	X	-58.201	4.25
56	MP4A	Z	-100.807	4.25
57	MP4A	Mx	.088	4.25
58	MP4A	X	-58.201	7.75
59	MP4A	Z	-100.807	7.75
60	MP4A	Mx	.088	7.75
61	MP4B	X	-101.643	4.25
62	MP4B	Z	-176.051	4.25
63	MP4B	Mx	-.124	4.25
64	MP4B	X	-101.643	7.75
65	MP4B	Z	-176.051	7.75
66	MP4B	Mx	-.124	7.75
67	MP2C	X	-22.511	3.5
68	MP2C	Z	-38.99	3.5
69	MP2C	Mx	.023	3.5
70	MP3C	X	-22.511	3.5
71	MP3C	Z	-38.99	3.5
72	MP3C	Mx	.023	3.5
73	MP4A	X	-22.511	3.5
74	MP4A	Z	-38.99	3.5
75	MP4A	Mx	.021	3.5
76	MP4B	X	-22.511	3.5
77	MP4B	Z	-38.99	3.5
78	MP4B	Mx	-.044	3.5
79	MP2C	X	-22.511	3.5
80	MP2C	Z	-38.99	3.5
81	MP2C	Mx	.023	3.5
82	MP3C	X	-22.511	3.5
83	MP3C	Z	-38.99	3.5
84	MP3C	Mx	.023	3.5
85	MP4A	X	-22.511	3.5
86	MP4A	Z	-38.99	3.5
87	MP4A	Mx	-.044	3.5
88	MP4B	X	-22.511	3.5
89	MP4B	Z	-38.99	3.5
90	MP4B	Mx	.021	3.5
91	R1	X	-49.542	2
92	R1	Z	-85.809	2
93	R1	Mx	0	2
94	R2	X	-49.542	1
95	R2	Z	-85.809	1
96	R2	Mx	0	1
97	MP1A	X	-64.304	1.5
98	MP1A	Z	-111.378	1.5
99	MP1A	Mx	.032	1.5



Member Point Loads (BLC 15 : Antenna Wi (0 Deg))

	Member Label	Direction	Magnitude[lb.k-ft]	Location[ft.%]
1	MP1B	X	0	4
2	MP1B	Z	-5.602	4
3	MP1B	Mx	.002	4
4	MP1B	X	0	6
5	MP1B	Z	-5.602	6
6	MP1B	Mx	.002	6
7	MP1C	X	0	4
8	MP1C	Z	-5.602	4
9	MP1C	Mx	-.002	4
10	MP1C	X	0	6
11	MP1C	Z	-5.602	6
12	MP1C	Mx	-.002	6
13	MP2A	X	0	4
14	MP2A	Z	-8.551	4
15	MP2A	Mx	0	4
16	MP2A	X	0	6
17	MP2A	Z	-8.551	6
18	MP2A	Mx	0	6
19	MP2C	X	0	4.25
20	MP2C	Z	-26.13	4.25
21	MP2C	Mx	.008	4.25
22	MP2C	X	0	7.75
23	MP2C	Z	-26.13	7.75
24	MP2C	Mx	.008	7.75
25	MP2C	X	0	4.25
26	MP2C	Z	-26.13	4.25
27	MP2C	Mx	-.025	4.25
28	MP2C	X	0	7.75
29	MP2C	Z	-26.13	7.75
30	MP2C	Mx	-.025	7.75
31	MP3C	X	0	4.25
32	MP3C	Z	-23.144	4.25
33	MP3C	Mx	-.021	4.25
34	MP3C	X	0	7.75
35	MP3C	Z	-23.144	7.75
36	MP3C	Mx	-.021	7.75
37	MP3C	X	0	4.25
38	MP3C	Z	-23.144	4.25
39	MP3C	Mx	.004	4.25
40	MP3C	X	0	7.75
41	MP3C	Z	-23.144	7.75
42	MP3C	Mx	.004	7.75
43	MP4A	X	0	4.25
44	MP4A	Z	-26.13	4.25
45	MP4A	Mx	-.008	4.25
46	MP4A	X	0	7.75
47	MP4A	Z	-26.13	7.75
48	MP4A	Mx	-.008	7.75
49	MP4B	X	0	4.25
50	MP4B	Z	-23.144	4.25
51	MP4B	Mx	.021	4.25
52	MP4B	X	0	7.75
53	MP4B	Z	-23.144	7.75
54	MP4B	Mx	.021	7.75
55	MP4A	X	0	4.25
56	MP4A	Z	-26.13	4.25
57	MP4A	Mx	.025	4.25



Member Point Loads (BLC 15 : Antenna Wi (0 Deg)) (Continued)

	Member Label	Direction	Magnitude[lb.k-ft]	Location[ft.%]
58	MP4A	X	0	7.75
59	MP4A	Z	-26.13	7.75
60	MP4A	Mx	.025	7.75
61	MP4B	X	0	4.25
62	MP4B	Z	-23.144	4.25
63	MP4B	Mx	-.004	4.25
64	MP4B	X	0	7.75
65	MP4B	Z	-23.144	7.75
66	MP4B	Mx	-.004	7.75
67	MP2C	X	0	3.5
68	MP2C	Z	-6.611	3.5
69	MP2C	Mx	.000108	3.5
70	MP3C	X	0	3.5
71	MP3C	Z	-6.611	3.5
72	MP3C	Mx	.000108	3.5
73	MP4A	X	0	3.5
74	MP4A	Z	-5.073	3.5
75	MP4A	Mx	.004	3.5
76	MP4B	X	0	3.5
77	MP4B	Z	-6.611	3.5
78	MP4B	Mx	-.006	3.5
79	MP2C	X	0	3.5
80	MP2C	Z	-6.835	3.5
81	MP2C	Mx	.006	3.5
82	MP3C	X	0	3.5
83	MP3C	Z	-6.835	3.5
84	MP3C	Mx	.006	3.5
85	MP4A	X	0	3.5
86	MP4A	Z	-5.967	3.5
87	MP4A	Mx	-.005	3.5
88	MP4B	X	0	3.5
89	MP4B	Z	-6.835	3.5
90	MP4B	Mx	-.000112	3.5
91	R1	X	0	2
92	R1	Z	-12.955	2
93	R1	Mx	0	2
94	R2	X	0	1
95	R2	Z	-12.955	1
96	R2	Mx	0	1
97	MP1A	X	0	1.5
98	MP1A	Z	-27.543	1.5
99	MP1A	Mx	0	1.5

Member Point Loads (BLC 16 : Antenna Wi (30 Deg))

	Member Label	Direction	Magnitude[lb.k-ft]	Location[ft.%]
1	MP1B	X	2.309	4
2	MP1B	Z	-4	4
3	MP1B	Mx	.002	4
4	MP1B	X	2.309	6
5	MP1B	Z	-4	6
6	MP1B	Mx	.002	6
7	MP1C	X	3.784	4
8	MP1C	Z	-6.554	4
9	MP1C	Mx	-.002	4
10	MP1C	X	3.784	6
11	MP1C	Z	-6.554	6



Member Point Loads (BLC 16 : Antenna Wi (30 Deg)) (Continued)

	Member Label	Direction	Magnitude[lb.k-ft]	Location[ft.%]
12	MP1C	Mx	-.002	6
13	MP2A	X	3.784	4
14	MP2A	Z	-6.554	4
15	MP2A	Mx	-.002	4
16	MP2A	X	3.784	6
17	MP2A	Z	-6.554	6
18	MP2A	Mx	-.002	6
19	MP2C	X	16.358	4.25
20	MP2C	Z	-28.333	4.25
21	MP2C	Mx	.024	4.25
22	MP2C	X	16.358	7.75
23	MP2C	Z	-28.333	7.75
24	MP2C	Mx	.024	7.75
25	MP2C	X	16.358	4.25
26	MP2C	Z	-28.333	4.25
27	MP2C	Mx	-.03	4.25
28	MP2C	X	16.358	7.75
29	MP2C	Z	-28.333	7.75
30	MP2C	Mx	-.03	7.75
31	MP3C	X	8.278	4.25
32	MP3C	Z	-14.339	4.25
33	MP3C	Mx	-.011	4.25
34	MP3C	X	8.278	7.75
35	MP3C	Z	-14.339	7.75
36	MP3C	Mx	-.011	7.75
37	MP3C	X	8.278	4.25
38	MP3C	Z	-14.339	4.25
39	MP3C	Mx	-.006	4.25
40	MP3C	X	8.278	7.75
41	MP3C	Z	-14.339	7.75
42	MP3C	Mx	-.006	7.75
43	MP4A	X	16.358	4.25
44	MP4A	Z	-28.333	4.25
45	MP4A	Mx	-.024	4.25
46	MP4A	X	16.358	7.75
47	MP4A	Z	-28.333	7.75
48	MP4A	Mx	-.024	7.75
49	MP4B	X	8.278	4.25
50	MP4B	Z	-14.339	4.25
51	MP4B	Mx	.011	4.25
52	MP4B	X	8.278	7.75
53	MP4B	Z	-14.339	7.75
54	MP4B	Mx	.011	7.75
55	MP4A	X	16.358	4.25
56	MP4A	Z	-28.333	4.25
57	MP4A	Mx	.03	4.25
58	MP4A	X	16.358	7.75
59	MP4A	Z	-28.333	7.75
60	MP4A	Mx	.03	7.75
61	MP4B	X	8.278	4.25
62	MP4B	Z	-14.339	4.25
63	MP4B	Mx	.006	4.25
64	MP4B	X	8.278	7.75
65	MP4B	Z	-14.339	7.75
66	MP4B	Mx	.006	7.75
67	MP2C	X	2.793	3.5
68	MP2C	Z	-4.837	3.5



Member Point Loads (BLC 16 : Antenna Wi (30 Deg)) (Continued)

	Member Label	Direction	Magnitude[lb.k-ft]	Location[ft.%]
69	MP2C	Mx	-.003	3.5
70	MP3C	X	2.793	3.5
71	MP3C	Z	-4.837	3.5
72	MP3C	Mx	-.003	3.5
73	MP4A	X	2.793	3.5
74	MP4A	Z	-4.837	3.5
75	MP4A	Mx	.005	3.5
76	MP4B	X	3.562	3.5
77	MP4B	Z	-6.17	3.5
78	MP4B	Mx	-.004	3.5
79	MP2C	X	3.128	3.5
80	MP2C	Z	-5.418	3.5
81	MP2C	Mx	.006	3.5
82	MP3C	X	3.128	3.5
83	MP3C	Z	-5.418	3.5
84	MP3C	Mx	.006	3.5
85	MP4A	X	3.128	3.5
86	MP4A	Z	-5.418	3.5
87	MP4A	Mx	-.003	3.5
88	MP4B	X	3.562	3.5
89	MP4B	Z	-6.17	3.5
90	MP4B	Mx	-.004	3.5
91	R1	X	5.456	2
92	R1	Z	-9.451	2
93	R1	Mx	0	2
94	R2	X	5.456	1
95	R2	Z	-9.451	1
96	R2	Mx	0	1
97	MP1A	X	11.767	1.5
98	MP1A	Z	-20.381	1.5
99	MP1A	Mx	-.006	1.5

Member Point Loads (BLC 17 : Antenna Wi (60 Deg))

	Member Label	Direction	Magnitude[lb.k-ft]	Location[ft.%]
1	MP1B	X	4.851	4
2	MP1B	Z	-2.801	4
3	MP1B	Mx	.002	4
4	MP1B	X	4.851	6
5	MP1B	Z	-2.801	6
6	MP1B	Mx	.002	6
7	MP1C	X	7.405	4
8	MP1C	Z	-4.275	4
9	MP1C	Mx	0	4
10	MP1C	X	7.405	6
11	MP1C	Z	-4.275	6
12	MP1C	Mx	0	6
13	MP2A	X	4.851	4
14	MP2A	Z	-2.801	4
15	MP2A	Mx	-.002	4
16	MP2A	X	4.851	6
17	MP2A	Z	-2.801	6
18	MP2A	Mx	-.002	6
19	MP2C	X	27.04	4.25
20	MP2C	Z	-15.612	4.25
21	MP2C	Mx	.03	4.25
22	MP2C	X	27.04	7.75



Member Point Loads (BLC 17 : Antenna Wi (60 Deg)) (Continued)

	Member Label	Direction	Magnitude[lb.k-ft]	Location[ft.%]
23	MP2C	Z	-15.612	7.75
24	MP2C	Mx	.03	7.75
25	MP2C	X	27.04	4.25
26	MP2C	Z	-15.612	4.25
27	MP2C	Mx	-.019	4.25
28	MP2C	X	27.04	7.75
29	MP2C	Z	-15.612	7.75
30	MP2C	Mx	-.019	7.75
31	MP3C	X	15.632	4.25
32	MP3C	Z	-9.025	4.25
33	MP3C	Mx	-.003	4.25
34	MP3C	X	15.632	7.75
35	MP3C	Z	-9.025	7.75
36	MP3C	Mx	-.003	7.75
37	MP3C	X	15.632	4.25
38	MP3C	Z	-9.025	4.25
39	MP3C	Mx	-.014	4.25
40	MP3C	X	15.632	7.75
41	MP3C	Z	-9.025	7.75
42	MP3C	Mx	-.014	7.75
43	MP4A	X	27.04	4.25
44	MP4A	Z	-15.612	4.25
45	MP4A	Mx	-.03	4.25
46	MP4A	X	27.04	7.75
47	MP4A	Z	-15.612	7.75
48	MP4A	Mx	-.03	7.75
49	MP4B	X	15.632	4.25
50	MP4B	Z	-9.025	4.25
51	MP4B	Mx	.003	4.25
52	MP4B	X	15.632	7.75
53	MP4B	Z	-9.025	7.75
54	MP4B	Mx	.003	7.75
55	MP4A	X	27.04	4.25
56	MP4A	Z	-15.612	4.25
57	MP4A	Mx	.019	4.25
58	MP4A	X	27.04	7.75
59	MP4A	Z	-15.612	7.75
60	MP4A	Mx	.019	7.75
61	MP4B	X	15.632	4.25
62	MP4B	Z	-9.025	4.25
63	MP4B	Mx	.014	4.25
64	MP4B	X	15.632	7.75
65	MP4B	Z	-9.025	7.75
66	MP4B	Mx	.014	7.75
67	MP2C	X	4.393	3.5
68	MP2C	Z	-2.536	3.5
69	MP2C	Mx	-.004	3.5
70	MP3C	X	4.393	3.5
71	MP3C	Z	-2.536	3.5
72	MP3C	Mx	-.004	3.5
73	MP4A	X	5.726	3.5
74	MP4A	Z	-3.306	3.5
75	MP4A	Mx	.006	3.5
76	MP4B	X	5.726	3.5
77	MP4B	Z	-3.306	3.5
78	MP4B	Mx	-.000108	3.5
79	MP2C	X	5.168	3.5



Member Point Loads (BLC 17 : Antenna Wi (60 Deg)) (Continued)

	Member Label	Direction	Magnitude[lb.k-ft]	Location[ft.%]
80	MP2C	Z	-2.983	3.5
81	MP2C	Mx	.005	3.5
82	MP3C	X	5.168	3.5
83	MP3C	Z	-2.983	3.5
84	MP3C	Mx	.005	3.5
85	MP4A	X	5.919	3.5
86	MP4A	Z	-3.417	3.5
87	MP4A	Mx	.000112	3.5
88	MP4B	X	5.919	3.5
89	MP4B	Z	-3.417	3.5
90	MP4B	Mx	-.006	3.5
91	R1	X	9.852	2
92	R1	Z	-5.688	2
93	R1	Mx	0	2
94	R2	X	9.852	1
95	R2	Z	-5.688	1
96	R2	Mx	0	1
97	MP1A	X	13.438	1.5
98	MP1A	Z	-7.758	1.5
99	MP1A	Mx	-.007	1.5

Member Point Loads (BLC 18 : Antenna Wi (90 Deg))

	Member Label	Direction	Magnitude[lb.k-ft]	Location[ft.%]
1	MP1B	X	7.568	4
2	MP1B	Z	0	4
3	MP1B	Mx	.002	4
4	MP1B	X	7.568	6
5	MP1B	Z	0	6
6	MP1B	Mx	.002	6
7	MP1C	X	7.568	4
8	MP1C	Z	0	4
9	MP1C	Mx	.002	4
10	MP1C	X	7.568	6
11	MP1C	Z	0	6
12	MP1C	Mx	.002	6
13	MP2A	X	4.619	4
14	MP2A	Z	0	4
15	MP2A	Mx	-.002	4
16	MP2A	X	4.619	6
17	MP2A	Z	0	6
18	MP2A	Mx	-.002	6
19	MP2C	X	23.144	4.25
20	MP2C	Z	0	4.25
21	MP2C	Mx	.021	4.25
22	MP2C	X	23.144	7.75
23	MP2C	Z	0	7.75
24	MP2C	Mx	.021	7.75
25	MP2C	X	23.144	4.25
26	MP2C	Z	0	4.25
27	MP2C	Mx	-.004	4.25
28	MP2C	X	23.144	7.75
29	MP2C	Z	0	7.75
30	MP2C	Mx	-.004	7.75
31	MP3C	X	26.13	4.25
32	MP3C	Z	0	4.25
33	MP3C	Mx	.008	4.25



Member Point Loads (BLC 18 : Antenna Wi (90 Deg)) (Continued)

	Member Label	Direction	Magnitude[lb.k-ft]	Location[ft.%]
34	MP3C	X	26.13	7.75
35	MP3C	Z	0	7.75
36	MP3C	Mx	.008	7.75
37	MP3C	X	26.13	4.25
38	MP3C	Z	0	4.25
39	MP3C	Mx	-.025	4.25
40	MP3C	X	26.13	7.75
41	MP3C	Z	0	7.75
42	MP3C	Mx	-.025	7.75
43	MP4A	X	23.144	4.25
44	MP4A	Z	0	4.25
45	MP4A	Mx	-.021	4.25
46	MP4A	X	23.144	7.75
47	MP4A	Z	0	7.75
48	MP4A	Mx	-.021	7.75
49	MP4B	X	26.13	4.25
50	MP4B	Z	0	4.25
51	MP4B	Mx	-.008	4.25
52	MP4B	X	26.13	7.75
53	MP4B	Z	0	7.75
54	MP4B	Mx	-.008	7.75
55	MP4A	X	23.144	4.25
56	MP4A	Z	0	4.25
57	MP4A	Mx	.004	4.25
58	MP4A	X	23.144	7.75
59	MP4A	Z	0	7.75
60	MP4A	Mx	.004	7.75
61	MP4B	X	26.13	4.25
62	MP4B	Z	0	4.25
63	MP4B	Mx	.025	4.25
64	MP4B	X	26.13	7.75
65	MP4B	Z	0	7.75
66	MP4B	Mx	.025	7.75
67	MP2C	X	5.586	3.5
68	MP2C	Z	0	3.5
69	MP2C	Mx	-.005	3.5
70	MP3C	X	5.586	3.5
71	MP3C	Z	0	3.5
72	MP3C	Mx	-.005	3.5
73	MP4A	X	7.124	3.5
74	MP4A	Z	0	3.5
75	MP4A	Mx	.004	3.5
76	MP4B	X	5.586	3.5
77	MP4B	Z	0	3.5
78	MP4B	Mx	.003	3.5
79	MP2C	X	6.256	3.5
80	MP2C	Z	0	3.5
81	MP2C	Mx	.003	3.5
82	MP3C	X	6.256	3.5
83	MP3C	Z	0	3.5
84	MP3C	Mx	.003	3.5
85	MP4A	X	7.124	3.5
86	MP4A	Z	0	3.5
87	MP4A	Mx	.004	3.5
88	MP4B	X	6.256	3.5
89	MP4B	Z	0	3.5
90	MP4B	Mx	-.006	3.5



Member Point Loads (BLC 18 : Antenna Wi (90 Deg)) (Continued)

	Member Label	Direction	Magnitude[lb.k-ft]	Location[ft.%]
91	R1	X	13.881	2
92	R1	Z	0	2
93	R1	Mx	0	2
94	R2	X	13.881	1
95	R2	Z	0	1
96	R2	Mx	0	1
97	MP1A	X	11.508	1.5
98	MP1A	Z	0	1.5
99	MP1A	Mx	-.006	1.5

Member Point Loads (BLC 19 : Antenna Wi (120 Deg))

	Member Label	Direction	Magnitude[lb.k-ft]	Location[ft.%]
1	MP1B	X	7.405	4
2	MP1B	Z	4.275	4
3	MP1B	Mx	0	4
4	MP1B	X	7.405	6
5	MP1B	Z	4.275	6
6	MP1B	Mx	0	6
7	MP1C	X	4.851	4
8	MP1C	Z	2.801	4
9	MP1C	Mx	.002	4
10	MP1C	X	4.851	6
11	MP1C	Z	2.801	6
12	MP1C	Mx	.002	6
13	MP2A	X	4.851	4
14	MP2A	Z	2.801	4
15	MP2A	Mx	-.002	4
16	MP2A	X	4.851	6
17	MP2A	Z	2.801	6
18	MP2A	Mx	-.002	6
19	MP2C	X	14.339	4.25
20	MP2C	Z	8.278	4.25
21	MP2C	Mx	.011	4.25
22	MP2C	X	14.339	7.75
23	MP2C	Z	8.278	7.75
24	MP2C	Mx	.011	7.75
25	MP2C	X	14.339	4.25
26	MP2C	Z	8.278	4.25
27	MP2C	Mx	.006	4.25
28	MP2C	X	14.339	7.75
29	MP2C	Z	8.278	7.75
30	MP2C	Mx	.006	7.75
31	MP3C	X	28.333	4.25
32	MP3C	Z	16.358	4.25
33	MP3C	Mx	.024	4.25
34	MP3C	X	28.333	7.75
35	MP3C	Z	16.358	7.75
36	MP3C	Mx	.024	7.75
37	MP3C	X	28.333	4.25
38	MP3C	Z	16.358	4.25
39	MP3C	Mx	-.03	4.25
40	MP3C	X	28.333	7.75
41	MP3C	Z	16.358	7.75
42	MP3C	Mx	-.03	7.75
43	MP4A	X	14.339	4.25
44	MP4A	Z	8.278	4.25



Member Point Loads (BLC 19 : Antenna Wi (120 Deg)) (Continued)

	Member Label	Direction	Magnitude[lb.k-ft]	Location[ft.%]
45	MP4A	Mx	-.011	4.25
46	MP4A	X	14.339	7.75
47	MP4A	Z	8.278	7.75
48	MP4A	Mx	-.011	7.75
49	MP4B	X	28.333	4.25
50	MP4B	Z	16.358	4.25
51	MP4B	Mx	-.024	4.25
52	MP4B	X	28.333	7.75
53	MP4B	Z	16.358	7.75
54	MP4B	Mx	-.024	7.75
55	MP4A	X	14.339	4.25
56	MP4A	Z	8.278	4.25
57	MP4A	Mx	-.006	4.25
58	MP4A	X	14.339	7.75
59	MP4A	Z	8.278	7.75
60	MP4A	Mx	-.006	7.75
61	MP4B	X	28.333	4.25
62	MP4B	Z	16.358	4.25
63	MP4B	Mx	.03	4.25
64	MP4B	X	28.333	7.75
65	MP4B	Z	16.358	7.75
66	MP4B	Mx	.03	7.75
67	MP2C	X	5.726	3.5
68	MP2C	Z	3.306	3.5
69	MP2C	Mx	-.006	3.5
70	MP3C	X	5.726	3.5
71	MP3C	Z	3.306	3.5
72	MP3C	Mx	-.006	3.5
73	MP4A	X	5.726	3.5
74	MP4A	Z	3.306	3.5
75	MP4A	Mx	.000108	3.5
76	MP4B	X	4.393	3.5
77	MP4B	Z	2.536	3.5
78	MP4B	Mx	.004	3.5
79	MP2C	X	5.919	3.5
80	MP2C	Z	3.417	3.5
81	MP2C	Mx	-.000111	3.5
82	MP3C	X	5.919	3.5
83	MP3C	Z	3.417	3.5
84	MP3C	Mx	-.000111	3.5
85	MP4A	X	5.919	3.5
86	MP4A	Z	3.417	3.5
87	MP4A	Mx	.006	3.5
88	MP4B	X	5.168	3.5
89	MP4B	Z	2.983	3.5
90	MP4B	Mx	-.005	3.5
91	R1	X	13.79	2
92	R1	Z	7.962	2
93	R1	Mx	0	2
94	R2	X	13.79	1
95	R2	Z	7.962	1
96	R2	Mx	0	1
97	MP1A	X	13.438	1.5
98	MP1A	Z	7.758	1.5
99	MP1A	Mx	-.007	1.5



Member Point Loads (BLC 20 : Antenna Wi (150 Deg))

	Member Label	Direction	Magnitude[lb.k-ft]	Location[ft.%]
1	MP1B	X	3.784	4
2	MP1B	Z	6.554	4
3	MP1B	Mx	-.002	4
4	MP1B	X	3.784	6
5	MP1B	Z	6.554	6
6	MP1B	Mx	-.002	6
7	MP1C	X	2.309	4
8	MP1C	Z	4	4
9	MP1C	Mx	.002	4
10	MP1C	X	2.309	6
11	MP1C	Z	4	6
12	MP1C	Mx	.002	6
13	MP2A	X	3.784	4
14	MP2A	Z	6.554	4
15	MP2A	Mx	-.002	4
16	MP2A	X	3.784	6
17	MP2A	Z	6.554	6
18	MP2A	Mx	-.002	6
19	MP2C	X	9.025	4.25
20	MP2C	Z	15.632	4.25
21	MP2C	Mx	.003	4.25
22	MP2C	X	9.025	7.75
23	MP2C	Z	15.632	7.75
24	MP2C	Mx	.003	7.75
25	MP2C	X	9.025	4.25
26	MP2C	Z	15.632	4.25
27	MP2C	Mx	.014	4.25
28	MP2C	X	9.025	7.75
29	MP2C	Z	15.632	7.75
30	MP2C	Mx	.014	7.75
31	MP3C	X	15.612	4.25
32	MP3C	Z	27.04	4.25
33	MP3C	Mx	.03	4.25
34	MP3C	X	15.612	7.75
35	MP3C	Z	27.04	7.75
36	MP3C	Mx	.03	7.75
37	MP3C	X	15.612	4.25
38	MP3C	Z	27.04	4.25
39	MP3C	Mx	-.019	4.25
40	MP3C	X	15.612	7.75
41	MP3C	Z	27.04	7.75
42	MP3C	Mx	-.019	7.75
43	MP4A	X	9.025	4.25
44	MP4A	Z	15.632	4.25
45	MP4A	Mx	-.003	4.25
46	MP4A	X	9.025	7.75
47	MP4A	Z	15.632	7.75
48	MP4A	Mx	-.003	7.75
49	MP4B	X	15.612	4.25
50	MP4B	Z	27.04	4.25
51	MP4B	Mx	-.03	4.25
52	MP4B	X	15.612	7.75
53	MP4B	Z	27.04	7.75
54	MP4B	Mx	-.03	7.75
55	MP4A	X	9.025	4.25
56	MP4A	Z	15.632	4.25
57	MP4A	Mx	-.014	4.25



Member Point Loads (BLC 20 : Antenna Wi (150 Deg)) (Continued)

	Member Label	Direction	Magnitude[lb.k-ft]	Location[ft.%]
58	MP4A	X	9.025	7.75
59	MP4A	Z	15.632	7.75
60	MP4A	Mx	-.014	7.75
61	MP4B	X	15.612	4.25
62	MP4B	Z	27.04	4.25
63	MP4B	Mx	.019	4.25
64	MP4B	X	15.612	7.75
65	MP4B	Z	27.04	7.75
66	MP4B	Mx	.019	7.75
67	MP2C	X	3.562	3.5
68	MP2C	Z	6.17	3.5
69	MP2C	Mx	-.004	3.5
70	MP3C	X	3.562	3.5
71	MP3C	Z	6.17	3.5
72	MP3C	Mx	-.004	3.5
73	MP4A	X	2.793	3.5
74	MP4A	Z	4.837	3.5
75	MP4A	Mx	-.003	3.5
76	MP4B	X	2.793	3.5
77	MP4B	Z	4.837	3.5
78	MP4B	Mx	.005	3.5
79	MP2C	X	3.562	3.5
80	MP2C	Z	6.17	3.5
81	MP2C	Mx	-.004	3.5
82	MP3C	X	3.562	3.5
83	MP3C	Z	6.17	3.5
84	MP3C	Mx	-.004	3.5
85	MP4A	X	3.128	3.5
86	MP4A	Z	5.418	3.5
87	MP4A	Mx	.006	3.5
88	MP4B	X	3.128	3.5
89	MP4B	Z	5.418	3.5
90	MP4B	Mx	-.003	3.5
91	R1	X	7.73	2
92	R1	Z	13.389	2
93	R1	Mx	0	2
94	R2	X	7.73	1
95	R2	Z	13.389	1
96	R2	Mx	0	1
97	MP1A	X	11.767	1.5
98	MP1A	Z	20.381	1.5
99	MP1A	Mx	-.006	1.5

Member Point Loads (BLC 21 : Antenna Wi (180 Deg))

	Member Label	Direction	Magnitude[lb.k-ft]	Location[ft.%]
1	MP1B	X	0	4
2	MP1B	Z	5.602	4
3	MP1B	Mx	-.002	4
4	MP1B	X	0	6
5	MP1B	Z	5.602	6
6	MP1B	Mx	-.002	6
7	MP1C	X	0	4
8	MP1C	Z	5.602	4
9	MP1C	Mx	.002	4
10	MP1C	X	0	6
11	MP1C	Z	5.602	6



Member Point Loads (BLC 21 : Antenna Wi (180 Deg)) (Continued)

	Member Label	Direction	Magnitude[lb.k-ft]	Location[ft.%]
12	MP1C	Mx	.002	6
13	MP2A	X	0	4
14	MP2A	Z	8.551	4
15	MP2A	Mx	0	4
16	MP2A	X	0	6
17	MP2A	Z	8.551	6
18	MP2A	Mx	0	6
19	MP2C	X	0	4.25
20	MP2C	Z	26.13	4.25
21	MP2C	Mx	-.008	4.25
22	MP2C	X	0	7.75
23	MP2C	Z	26.13	7.75
24	MP2C	Mx	-.008	7.75
25	MP2C	X	0	4.25
26	MP2C	Z	26.13	4.25
27	MP2C	Mx	.025	4.25
28	MP2C	X	0	7.75
29	MP2C	Z	26.13	7.75
30	MP2C	Mx	.025	7.75
31	MP3C	X	0	4.25
32	MP3C	Z	23.144	4.25
33	MP3C	Mx	.021	4.25
34	MP3C	X	0	7.75
35	MP3C	Z	23.144	7.75
36	MP3C	Mx	.021	7.75
37	MP3C	X	0	4.25
38	MP3C	Z	23.144	4.25
39	MP3C	Mx	-.004	4.25
40	MP3C	X	0	7.75
41	MP3C	Z	23.144	7.75
42	MP3C	Mx	-.004	7.75
43	MP4A	X	0	4.25
44	MP4A	Z	26.13	4.25
45	MP4A	Mx	.008	4.25
46	MP4A	X	0	7.75
47	MP4A	Z	26.13	7.75
48	MP4A	Mx	.008	7.75
49	MP4B	X	0	4.25
50	MP4B	Z	23.144	4.25
51	MP4B	Mx	-.021	4.25
52	MP4B	X	0	7.75
53	MP4B	Z	23.144	7.75
54	MP4B	Mx	-.021	7.75
55	MP4A	X	0	4.25
56	MP4A	Z	26.13	4.25
57	MP4A	Mx	-.025	4.25
58	MP4A	X	0	7.75
59	MP4A	Z	26.13	7.75
60	MP4A	Mx	-.025	7.75
61	MP4B	X	0	4.25
62	MP4B	Z	23.144	4.25
63	MP4B	Mx	.004	4.25
64	MP4B	X	0	7.75
65	MP4B	Z	23.144	7.75
66	MP4B	Mx	.004	7.75
67	MP2C	X	0	3.5
68	MP2C	Z	6.611	3.5



Member Point Loads (BLC 21 : Antenna Wi (180 Deg)) (Continued)

	Member Label	Direction	Magnitude[lb.k-ft]	Location[ft.%]
69	MP2C	Mx	-.000108	3.5
70	MP3C	X	0	3.5
71	MP3C	Z	6.611	3.5
72	MP3C	Mx	-.000108	3.5
73	MP4A	X	0	3.5
74	MP4A	Z	5.073	3.5
75	MP4A	Mx	-.004	3.5
76	MP4B	X	0	3.5
77	MP4B	Z	6.611	3.5
78	MP4B	Mx	.006	3.5
79	MP2C	X	0	3.5
80	MP2C	Z	6.835	3.5
81	MP2C	Mx	-.006	3.5
82	MP3C	X	0	3.5
83	MP3C	Z	6.835	3.5
84	MP3C	Mx	-.006	3.5
85	MP4A	X	0	3.5
86	MP4A	Z	5.967	3.5
87	MP4A	Mx	.005	3.5
88	MP4B	X	0	3.5
89	MP4B	Z	6.835	3.5
90	MP4B	Mx	.000112	3.5
91	R1	X	0	2
92	R1	Z	12.955	2
93	R1	Mx	0	2
94	R2	X	0	1
95	R2	Z	12.955	1
96	R2	Mx	0	1
97	MP1A	X	0	1.5
98	MP1A	Z	27.543	1.5
99	MP1A	Mx	0	1.5

Member Point Loads (BLC 22 : Antenna Wi (210 Deg))

	Member Label	Direction	Magnitude[lb.k-ft]	Location[ft.%]
1	MP1B	X	-2.309	4
2	MP1B	Z	4	4
3	MP1B	Mx	-.002	4
4	MP1B	X	-2.309	6
5	MP1B	Z	4	6
6	MP1B	Mx	-.002	6
7	MP1C	X	-3.784	4
8	MP1C	Z	6.554	4
9	MP1C	Mx	.002	4
10	MP1C	X	-3.784	6
11	MP1C	Z	6.554	6
12	MP1C	Mx	.002	6
13	MP2A	X	-3.784	4
14	MP2A	Z	6.554	4
15	MP2A	Mx	.002	4
16	MP2A	X	-3.784	6
17	MP2A	Z	6.554	6
18	MP2A	Mx	.002	6
19	MP2C	X	-16.358	4.25
20	MP2C	Z	28.333	4.25
21	MP2C	Mx	-.024	4.25
22	MP2C	X	-16.358	7.75



Member Point Loads (BLC 22 : Antenna Wi (210 Deg)) (Continued)

	Member Label	Direction	Magnitude[lb.k-ft]	Location[ft.%]
23	MP2C	Z	28.333	7.75
24	MP2C	Mx	-.024	7.75
25	MP2C	X	-16.358	4.25
26	MP2C	Z	28.333	4.25
27	MP2C	Mx	.03	4.25
28	MP2C	X	-16.358	7.75
29	MP2C	Z	28.333	7.75
30	MP2C	Mx	.03	7.75
31	MP3C	X	-8.278	4.25
32	MP3C	Z	14.339	4.25
33	MP3C	Mx	.011	4.25
34	MP3C	X	-8.278	7.75
35	MP3C	Z	14.339	7.75
36	MP3C	Mx	.011	7.75
37	MP3C	X	-8.278	4.25
38	MP3C	Z	14.339	4.25
39	MP3C	Mx	.006	4.25
40	MP3C	X	-8.278	7.75
41	MP3C	Z	14.339	7.75
42	MP3C	Mx	.006	7.75
43	MP4A	X	-16.358	4.25
44	MP4A	Z	28.333	4.25
45	MP4A	Mx	.024	4.25
46	MP4A	X	-16.358	7.75
47	MP4A	Z	28.333	7.75
48	MP4A	Mx	.024	7.75
49	MP4B	X	-8.278	4.25
50	MP4B	Z	14.339	4.25
51	MP4B	Mx	-.011	4.25
52	MP4B	X	-8.278	7.75
53	MP4B	Z	14.339	7.75
54	MP4B	Mx	-.011	7.75
55	MP4A	X	-16.358	4.25
56	MP4A	Z	28.333	4.25
57	MP4A	Mx	-.03	4.25
58	MP4A	X	-16.358	7.75
59	MP4A	Z	28.333	7.75
60	MP4A	Mx	-.03	7.75
61	MP4B	X	-8.278	4.25
62	MP4B	Z	14.339	4.25
63	MP4B	Mx	-.006	4.25
64	MP4B	X	-8.278	7.75
65	MP4B	Z	14.339	7.75
66	MP4B	Mx	-.006	7.75
67	MP2C	X	-2.793	3.5
68	MP2C	Z	4.837	3.5
69	MP2C	Mx	.003	3.5
70	MP3C	X	-2.793	3.5
71	MP3C	Z	4.837	3.5
72	MP3C	Mx	.003	3.5
73	MP4A	X	-2.793	3.5
74	MP4A	Z	4.837	3.5
75	MP4A	Mx	-.005	3.5
76	MP4B	X	-3.562	3.5
77	MP4B	Z	6.17	3.5
78	MP4B	Mx	.004	3.5
79	MP2C	X	-3.128	3.5



Member Point Loads (BLC 22 : Antenna Wi (210 Deg)) (Continued)

	Member Label	Direction	Magnitude[lb.k-ft]	Location[ft.%]
80	MP2C	Z	5.418	3.5
81	MP2C	Mx	-0.006	3.5
82	MP3C	X	-3.128	3.5
83	MP3C	Z	5.418	3.5
84	MP3C	Mx	-0.006	3.5
85	MP4A	X	-3.128	3.5
86	MP4A	Z	5.418	3.5
87	MP4A	Mx	.003	3.5
88	MP4B	X	-3.562	3.5
89	MP4B	Z	6.17	3.5
90	MP4B	Mx	.004	3.5
91	R1	X	-5.456	2
92	R1	Z	9.451	2
93	R1	Mx	0	2
94	R2	X	-5.456	1
95	R2	Z	9.451	1
96	R2	Mx	0	1
97	MP1A	X	-11.767	1.5
98	MP1A	Z	20.381	1.5
99	MP1A	Mx	.006	1.5

Member Point Loads (BLC 23 : Antenna Wi (240 Deg))

	Member Label	Direction	Magnitude[lb.k-ft]	Location[ft.%]
1	MP1B	X	-4.851	4
2	MP1B	Z	2.801	4
3	MP1B	Mx	-0.002	4
4	MP1B	X	-4.851	6
5	MP1B	Z	2.801	6
6	MP1B	Mx	-0.002	6
7	MP1C	X	-7.405	4
8	MP1C	Z	4.275	4
9	MP1C	Mx	0	4
10	MP1C	X	-7.405	6
11	MP1C	Z	4.275	6
12	MP1C	Mx	0	6
13	MP2A	X	-4.851	4
14	MP2A	Z	2.801	4
15	MP2A	Mx	.002	4
16	MP2A	X	-4.851	6
17	MP2A	Z	2.801	6
18	MP2A	Mx	.002	6
19	MP2C	X	-27.04	4.25
20	MP2C	Z	15.612	4.25
21	MP2C	Mx	-.03	4.25
22	MP2C	X	-27.04	7.75
23	MP2C	Z	15.612	7.75
24	MP2C	Mx	-.03	7.75
25	MP2C	X	-27.04	4.25
26	MP2C	Z	15.612	4.25
27	MP2C	Mx	.019	4.25
28	MP2C	X	-27.04	7.75
29	MP2C	Z	15.612	7.75
30	MP2C	Mx	.019	7.75
31	MP3C	X	-15.632	4.25
32	MP3C	Z	9.025	4.25
33	MP3C	Mx	.003	4.25



Member Point Loads (BLC 23 : Antenna Wi (240 Deg)) (Continued)

	Member Label	Direction	Magnitude[lb.k-ft]	Location[ft.%]
34	MP3C	X	-15.632	7.75
35	MP3C	Z	9.025	7.75
36	MP3C	Mx	.003	7.75
37	MP3C	X	-15.632	4.25
38	MP3C	Z	9.025	4.25
39	MP3C	Mx	.014	4.25
40	MP3C	X	-15.632	7.75
41	MP3C	Z	9.025	7.75
42	MP3C	Mx	.014	7.75
43	MP4A	X	-27.04	4.25
44	MP4A	Z	15.612	4.25
45	MP4A	Mx	.03	4.25
46	MP4A	X	-27.04	7.75
47	MP4A	Z	15.612	7.75
48	MP4A	Mx	.03	7.75
49	MP4B	X	-15.632	4.25
50	MP4B	Z	9.025	4.25
51	MP4B	Mx	-.003	4.25
52	MP4B	X	-15.632	7.75
53	MP4B	Z	9.025	7.75
54	MP4B	Mx	-.003	7.75
55	MP4A	X	-27.04	4.25
56	MP4A	Z	15.612	4.25
57	MP4A	Mx	-.019	4.25
58	MP4A	X	-27.04	7.75
59	MP4A	Z	15.612	7.75
60	MP4A	Mx	-.019	7.75
61	MP4B	X	-15.632	4.25
62	MP4B	Z	9.025	4.25
63	MP4B	Mx	-.014	4.25
64	MP4B	X	-15.632	7.75
65	MP4B	Z	9.025	7.75
66	MP4B	Mx	-.014	7.75
67	MP2C	X	-4.393	3.5
68	MP2C	Z	2.536	3.5
69	MP2C	Mx	.004	3.5
70	MP3C	X	-4.393	3.5
71	MP3C	Z	2.536	3.5
72	MP3C	Mx	.004	3.5
73	MP4A	X	-5.726	3.5
74	MP4A	Z	3.306	3.5
75	MP4A	Mx	-.006	3.5
76	MP4B	X	-5.726	3.5
77	MP4B	Z	3.306	3.5
78	MP4B	Mx	.000108	3.5
79	MP2C	X	-5.168	3.5
80	MP2C	Z	2.983	3.5
81	MP2C	Mx	-.005	3.5
82	MP3C	X	-5.168	3.5
83	MP3C	Z	2.983	3.5
84	MP3C	Mx	-.005	3.5
85	MP4A	X	-5.919	3.5
86	MP4A	Z	3.417	3.5
87	MP4A	Mx	-.000112	3.5
88	MP4B	X	-5.919	3.5
89	MP4B	Z	3.417	3.5
90	MP4B	Mx	.006	3.5



Member Point Loads (BLC 23 : Antenna Wi (240 Deg)) (Continued)

	Member Label	Direction	Magnitude[lb.k-ft]	Location[ft.%]
91	R1	X	-9.852	2
92	R1	Z	5.688	2
93	R1	Mx	0	2
94	R2	X	-9.852	1
95	R2	Z	5.688	1
96	R2	Mx	0	1
97	MP1A	X	-13.438	1.5
98	MP1A	Z	7.758	1.5
99	MP1A	Mx	.007	1.5

Member Point Loads (BLC 24 : Antenna Wi (270 Deg))

	Member Label	Direction	Magnitude[lb.k-ft]	Location[ft.%]
1	MP1B	X	-7.568	4
2	MP1B	Z	0	4
3	MP1B	Mx	-.002	4
4	MP1B	X	-7.568	6
5	MP1B	Z	0	6
6	MP1B	Mx	-.002	6
7	MP1C	X	-7.568	4
8	MP1C	Z	0	4
9	MP1C	Mx	-.002	4
10	MP1C	X	-7.568	6
11	MP1C	Z	0	6
12	MP1C	Mx	-.002	6
13	MP2A	X	-4.619	4
14	MP2A	Z	0	4
15	MP2A	Mx	.002	4
16	MP2A	X	-4.619	6
17	MP2A	Z	0	6
18	MP2A	Mx	.002	6
19	MP2C	X	-23.144	4.25
20	MP2C	Z	0	4.25
21	MP2C	Mx	-.021	4.25
22	MP2C	X	-23.144	7.75
23	MP2C	Z	0	7.75
24	MP2C	Mx	-.021	7.75
25	MP2C	X	-23.144	4.25
26	MP2C	Z	0	4.25
27	MP2C	Mx	.004	4.25
28	MP2C	X	-23.144	7.75
29	MP2C	Z	0	7.75
30	MP2C	Mx	.004	7.75
31	MP3C	X	-26.13	4.25
32	MP3C	Z	0	4.25
33	MP3C	Mx	-.008	4.25
34	MP3C	X	-26.13	7.75
35	MP3C	Z	0	7.75
36	MP3C	Mx	-.008	7.75
37	MP3C	X	-26.13	4.25
38	MP3C	Z	0	4.25
39	MP3C	Mx	.025	4.25
40	MP3C	X	-26.13	7.75
41	MP3C	Z	0	7.75
42	MP3C	Mx	.025	7.75
43	MP4A	X	-23.144	4.25
44	MP4A	Z	0	4.25



Member Point Loads (BLC 24 : Antenna Wi (270 Deg)) (Continued)

	Member Label	Direction	Magnitude[lb.k-ft]	Location[ft.%]
45	MP4A	Mx	.021	4.25
46	MP4A	X	-23.144	7.75
47	MP4A	Z	0	7.75
48	MP4A	Mx	.021	7.75
49	MP4B	X	-26.13	4.25
50	MP4B	Z	0	4.25
51	MP4B	Mx	.008	4.25
52	MP4B	X	-26.13	7.75
53	MP4B	Z	0	7.75
54	MP4B	Mx	.008	7.75
55	MP4A	X	-23.144	4.25
56	MP4A	Z	0	4.25
57	MP4A	Mx	-.004	4.25
58	MP4A	X	-23.144	7.75
59	MP4A	Z	0	7.75
60	MP4A	Mx	-.004	7.75
61	MP4B	X	-26.13	4.25
62	MP4B	Z	0	4.25
63	MP4B	Mx	-.025	4.25
64	MP4B	X	-26.13	7.75
65	MP4B	Z	0	7.75
66	MP4B	Mx	-.025	7.75
67	MP2C	X	-5.586	3.5
68	MP2C	Z	0	3.5
69	MP2C	Mx	.005	3.5
70	MP3C	X	-5.586	3.5
71	MP3C	Z	0	3.5
72	MP3C	Mx	.005	3.5
73	MP4A	X	-7.124	3.5
74	MP4A	Z	0	3.5
75	MP4A	Mx	-.004	3.5
76	MP4B	X	-5.586	3.5
77	MP4B	Z	0	3.5
78	MP4B	Mx	-.003	3.5
79	MP2C	X	-6.256	3.5
80	MP2C	Z	0	3.5
81	MP2C	Mx	-.003	3.5
82	MP3C	X	-6.256	3.5
83	MP3C	Z	0	3.5
84	MP3C	Mx	-.003	3.5
85	MP4A	X	-7.124	3.5
86	MP4A	Z	0	3.5
87	MP4A	Mx	-.004	3.5
88	MP4B	X	-6.256	3.5
89	MP4B	Z	0	3.5
90	MP4B	Mx	.006	3.5
91	R1	X	-13.881	2
92	R1	Z	0	2
93	R1	Mx	0	2
94	R2	X	-13.881	1
95	R2	Z	0	1
96	R2	Mx	0	1
97	MP1A	X	-11.508	1.5
98	MP1A	Z	0	1.5
99	MP1A	Mx	.006	1.5



Member Point Loads (BLC 25 : Antenna Wi (300 Deg))

	Member Label	Direction	Magnitude[lb.k-ft]	Location[ft.%]
1	MP1B	X	-7.405	4
2	MP1B	Z	-4.275	4
3	MP1B	Mx	0	4
4	MP1B	X	-7.405	6
5	MP1B	Z	-4.275	6
6	MP1B	Mx	0	6
7	MP1C	X	-4.851	4
8	MP1C	Z	-2.801	4
9	MP1C	Mx	-.002	4
10	MP1C	X	-4.851	6
11	MP1C	Z	-2.801	6
12	MP1C	Mx	-.002	6
13	MP2A	X	-4.851	4
14	MP2A	Z	-2.801	4
15	MP2A	Mx	.002	4
16	MP2A	X	-4.851	6
17	MP2A	Z	-2.801	6
18	MP2A	Mx	.002	6
19	MP2C	X	-14.339	4.25
20	MP2C	Z	-8.278	4.25
21	MP2C	Mx	-.011	4.25
22	MP2C	X	-14.339	7.75
23	MP2C	Z	-8.278	7.75
24	MP2C	Mx	-.011	7.75
25	MP2C	X	-14.339	4.25
26	MP2C	Z	-8.278	4.25
27	MP2C	Mx	-.006	4.25
28	MP2C	X	-14.339	7.75
29	MP2C	Z	-8.278	7.75
30	MP2C	Mx	-.006	7.75
31	MP3C	X	-28.333	4.25
32	MP3C	Z	-16.358	4.25
33	MP3C	Mx	-.024	4.25
34	MP3C	X	-28.333	7.75
35	MP3C	Z	-16.358	7.75
36	MP3C	Mx	-.024	7.75
37	MP3C	X	-28.333	4.25
38	MP3C	Z	-16.358	4.25
39	MP3C	Mx	.03	4.25
40	MP3C	X	-28.333	7.75
41	MP3C	Z	-16.358	7.75
42	MP3C	Mx	.03	7.75
43	MP4A	X	-14.339	4.25
44	MP4A	Z	-8.278	4.25
45	MP4A	Mx	.011	4.25
46	MP4A	X	-14.339	7.75
47	MP4A	Z	-8.278	7.75
48	MP4A	Mx	.011	7.75
49	MP4B	X	-28.333	4.25
50	MP4B	Z	-16.358	4.25
51	MP4B	Mx	.024	4.25
52	MP4B	X	-28.333	7.75
53	MP4B	Z	-16.358	7.75
54	MP4B	Mx	.024	7.75
55	MP4A	X	-14.339	4.25
56	MP4A	Z	-8.278	4.25
57	MP4A	Mx	.006	4.25



Member Point Loads (BLC 25 : Antenna Wi (300 Deg)) (Continued)

	Member Label	Direction	Magnitude[lb.k-ft]	Location[ft.%]
58	MP4A	X	-14.339	7.75
59	MP4A	Z	-8.278	7.75
60	MP4A	Mx	.006	7.75
61	MP4B	X	-28.333	4.25
62	MP4B	Z	-16.358	4.25
63	MP4B	Mx	-.03	4.25
64	MP4B	X	-28.333	7.75
65	MP4B	Z	-16.358	7.75
66	MP4B	Mx	-.03	7.75
67	MP2C	X	-5.726	3.5
68	MP2C	Z	-3.306	3.5
69	MP2C	Mx	.006	3.5
70	MP3C	X	-5.726	3.5
71	MP3C	Z	-3.306	3.5
72	MP3C	Mx	.006	3.5
73	MP4A	X	-5.726	3.5
74	MP4A	Z	-3.306	3.5
75	MP4A	Mx	-.000108	3.5
76	MP4B	X	-4.393	3.5
77	MP4B	Z	-2.536	3.5
78	MP4B	Mx	-.004	3.5
79	MP2C	X	-5.919	3.5
80	MP2C	Z	-3.417	3.5
81	MP2C	Mx	.000111	3.5
82	MP3C	X	-5.919	3.5
83	MP3C	Z	-3.417	3.5
84	MP3C	Mx	.000111	3.5
85	MP4A	X	-5.919	3.5
86	MP4A	Z	-3.417	3.5
87	MP4A	Mx	-.006	3.5
88	MP4B	X	-5.168	3.5
89	MP4B	Z	-2.983	3.5
90	MP4B	Mx	.005	3.5
91	R1	X	-13.79	2
92	R1	Z	-7.962	2
93	R1	Mx	0	2
94	R2	X	-13.79	1
95	R2	Z	-7.962	1
96	R2	Mx	0	1
97	MP1A	X	-13.438	1.5
98	MP1A	Z	-7.758	1.5
99	MP1A	Mx	.007	1.5

Member Point Loads (BLC 26 : Antenna Wi (330 Deg))

	Member Label	Direction	Magnitude[lb.k-ft]	Location[ft.%]
1	MP1B	X	-3.784	4
2	MP1B	Z	-6.554	4
3	MP1B	Mx	.002	4
4	MP1B	X	-3.784	6
5	MP1B	Z	-6.554	6
6	MP1B	Mx	.002	6
7	MP1C	X	-2.309	4
8	MP1C	Z	-4	4
9	MP1C	Mx	-.002	4
10	MP1C	X	-2.309	6
11	MP1C	Z	-4	6



Member Point Loads (BLC 26 : Antenna Wi (330 Deg)) (Continued)

	Member Label	Direction	Magnitude[lb.k-ft]	Location[ft.%]
12	MP1C	Mx	-.002	6
13	MP2A	X	-3.784	4
14	MP2A	Z	-6.554	4
15	MP2A	Mx	.002	4
16	MP2A	X	-3.784	6
17	MP2A	Z	-6.554	6
18	MP2A	Mx	.002	6
19	MP2C	X	-9.025	4.25
20	MP2C	Z	-15.632	4.25
21	MP2C	Mx	-.003	4.25
22	MP2C	X	-9.025	7.75
23	MP2C	Z	-15.632	7.75
24	MP2C	Mx	-.003	7.75
25	MP2C	X	-9.025	4.25
26	MP2C	Z	-15.632	4.25
27	MP2C	Mx	-.014	4.25
28	MP2C	X	-9.025	7.75
29	MP2C	Z	-15.632	7.75
30	MP2C	Mx	-.014	7.75
31	MP3C	X	-15.612	4.25
32	MP3C	Z	-27.04	4.25
33	MP3C	Mx	-.03	4.25
34	MP3C	X	-15.612	7.75
35	MP3C	Z	-27.04	7.75
36	MP3C	Mx	-.03	7.75
37	MP3C	X	-15.612	4.25
38	MP3C	Z	-27.04	4.25
39	MP3C	Mx	.019	4.25
40	MP3C	X	-15.612	7.75
41	MP3C	Z	-27.04	7.75
42	MP3C	Mx	.019	7.75
43	MP4A	X	-9.025	4.25
44	MP4A	Z	-15.632	4.25
45	MP4A	Mx	.003	4.25
46	MP4A	X	-9.025	7.75
47	MP4A	Z	-15.632	7.75
48	MP4A	Mx	.003	7.75
49	MP4B	X	-15.612	4.25
50	MP4B	Z	-27.04	4.25
51	MP4B	Mx	.03	4.25
52	MP4B	X	-15.612	7.75
53	MP4B	Z	-27.04	7.75
54	MP4B	Mx	.03	7.75
55	MP4A	X	-9.025	4.25
56	MP4A	Z	-15.632	4.25
57	MP4A	Mx	.014	4.25
58	MP4A	X	-9.025	7.75
59	MP4A	Z	-15.632	7.75
60	MP4A	Mx	.014	7.75
61	MP4B	X	-15.612	4.25
62	MP4B	Z	-27.04	4.25
63	MP4B	Mx	-.019	4.25
64	MP4B	X	-15.612	7.75
65	MP4B	Z	-27.04	7.75
66	MP4B	Mx	-.019	7.75
67	MP2C	X	-3.562	3.5
68	MP2C	Z	-6.17	3.5



Member Point Loads (BLC 26 : Antenna Wi (330 Deg)) (Continued)

	Member Label	Direction	Magnitude[lb.k-ft]	Location[ft.%]
69	MP2C	Mx	.004	3.5
70	MP3C	X	-3.562	3.5
71	MP3C	Z	-6.17	3.5
72	MP3C	Mx	.004	3.5
73	MP4A	X	-2.793	3.5
74	MP4A	Z	-4.837	3.5
75	MP4A	Mx	.003	3.5
76	MP4B	X	-2.793	3.5
77	MP4B	Z	-4.837	3.5
78	MP4B	Mx	-.005	3.5
79	MP2C	X	-3.562	3.5
80	MP2C	Z	-6.17	3.5
81	MP2C	Mx	.004	3.5
82	MP3C	X	-3.562	3.5
83	MP3C	Z	-6.17	3.5
84	MP3C	Mx	.004	3.5
85	MP4A	X	-3.128	3.5
86	MP4A	Z	-5.418	3.5
87	MP4A	Mx	-.006	3.5
88	MP4B	X	-3.128	3.5
89	MP4B	Z	-5.418	3.5
90	MP4B	Mx	.003	3.5
91	R1	X	-7.73	2
92	R1	Z	-13.389	2
93	R1	Mx	0	2
94	R2	X	-7.73	1
95	R2	Z	-13.389	1
96	R2	Mx	0	1
97	MP1A	X	-11.767	1.5
98	MP1A	Z	-20.381	1.5
99	MP1A	Mx	.006	1.5

Member Point Loads (BLC 27 : Antenna Wm (0 Deg))

	Member Label	Direction	Magnitude[lb.k-ft]	Location[ft.%]
1	MP1B	X	0	4
2	MP1B	Z	-3.027	4
3	MP1B	Mx	.001	4
4	MP1B	X	0	6
5	MP1B	Z	-3.027	6
6	MP1B	Mx	.001	6
7	MP1C	X	0	4
8	MP1C	Z	-3.027	4
9	MP1C	Mx	-.001	4
10	MP1C	X	0	6
11	MP1C	Z	-3.027	6
12	MP1C	Mx	-.001	6
13	MP2A	X	0	4
14	MP2A	Z	-4.659	4
15	MP2A	Mx	0	4
16	MP2A	X	0	6
17	MP2A	Z	-4.659	6
18	MP2A	Mx	0	6
19	MP2C	X	0	4.25
20	MP2C	Z	-14.396	4.25
21	MP2C	Mx	.005	4.25
22	MP2C	X	0	7.75



Member Point Loads (BLC 27 : Antenna Wm (0 Deg)) (Continued)

	Member Label	Direction	Magnitude[lb.k-ft]	Location[ft.%]
23	MP2C	Z	-14.396	7.75
24	MP2C	Mx	.005	7.75
25	MP2C	X	0	4.25
26	MP2C	Z	-14.396	4.25
27	MP2C	Mx	-.014	4.25
28	MP2C	X	0	7.75
29	MP2C	Z	-14.396	7.75
30	MP2C	Mx	-.014	7.75
31	MP3C	X	0	4.25
32	MP3C	Z	-12.725	4.25
33	MP3C	Mx	-.012	4.25
34	MP3C	X	0	7.75
35	MP3C	Z	-12.725	7.75
36	MP3C	Mx	-.012	7.75
37	MP3C	X	0	4.25
38	MP3C	Z	-12.725	4.25
39	MP3C	Mx	.002	4.25
40	MP3C	X	0	7.75
41	MP3C	Z	-12.725	7.75
42	MP3C	Mx	.002	7.75
43	MP4A	X	0	4.25
44	MP4A	Z	-14.396	4.25
45	MP4A	Mx	-.005	4.25
46	MP4A	X	0	7.75
47	MP4A	Z	-14.396	7.75
48	MP4A	Mx	-.005	7.75
49	MP4B	X	0	4.25
50	MP4B	Z	-12.725	4.25
51	MP4B	Mx	.012	4.25
52	MP4B	X	0	7.75
53	MP4B	Z	-12.725	7.75
54	MP4B	Mx	.012	7.75
55	MP4A	X	0	4.25
56	MP4A	Z	-14.396	4.25
57	MP4A	Mx	.014	4.25
58	MP4A	X	0	7.75
59	MP4A	Z	-14.396	7.75
60	MP4A	Mx	.014	7.75
61	MP4B	X	0	4.25
62	MP4B	Z	-12.725	4.25
63	MP4B	Mx	-.002	4.25
64	MP4B	X	0	7.75
65	MP4B	Z	-12.725	7.75
66	MP4B	Mx	-.002	7.75
67	MP2C	X	0	3.5
68	MP2C	Z	-3.819	3.5
69	MP2C	Mx	6.2e-5	3.5
70	MP3C	X	0	3.5
71	MP3C	Z	-3.819	3.5
72	MP3C	Mx	6.2e-5	3.5
73	MP4A	X	0	3.5
74	MP4A	Z	-3.819	3.5
75	MP4A	Mx	.003	3.5
76	MP4B	X	0	3.5
77	MP4B	Z	-3.819	3.5
78	MP4B	Mx	-.003	3.5
79	MP2C	X	0	3.5



Member Point Loads (BLC 27 : Antenna Wm (0 Deg)) (Continued)

	Member Label	Direction	Magnitude[lb.k-ft]	Location[ft.%]
80	MP2C	Z	-3.819	3.5
81	MP2C	Mx	.003	3.5
82	MP3C	X	0	3.5
83	MP3C	Z	-3.819	3.5
84	MP3C	Mx	.003	3.5
85	MP4A	X	0	3.5
86	MP4A	Z	-3.819	3.5
87	MP4A	Mx	-.003	3.5
88	MP4B	X	0	3.5
89	MP4B	Z	-3.819	3.5
90	MP4B	Mx	-6.2e-5	3.5
91	R1	X	0	2
92	R1	Z	-7.023	2
93	R1	Mx	0	2
94	R2	X	0	1
95	R2	Z	-7.023	1
96	R2	Mx	0	1
97	MP1A	X	0	1.5
98	MP1A	Z	-12.477	1.5
99	MP1A	Mx	0	1.5

Member Point Loads (BLC 28 : Antenna Wm (30 Deg))

	Member Label	Direction	Magnitude[lb.k-ft]	Location[ft.%]
1	MP1B	X	1.241	4
2	MP1B	Z	-2.15	4
3	MP1B	Mx	.001	4
4	MP1B	X	1.241	6
5	MP1B	Z	-2.15	6
6	MP1B	Mx	.001	6
7	MP1C	X	2.058	4
8	MP1C	Z	-3.564	4
9	MP1C	Mx	-.001	4
10	MP1C	X	2.058	6
11	MP1C	Z	-3.564	6
12	MP1C	Mx	-.001	6
13	MP2A	X	2.058	4
14	MP2A	Z	-3.564	4
15	MP2A	Mx	-.001	4
16	MP2A	X	2.058	6
17	MP2A	Z	-3.564	6
18	MP2A	Mx	-.001	6
19	MP2C	X	9.04	4.25
20	MP2C	Z	-15.659	4.25
21	MP2C	Mx	.013	4.25
22	MP2C	X	9.04	7.75
23	MP2C	Z	-15.659	7.75
24	MP2C	Mx	.013	7.75
25	MP2C	X	9.04	4.25
26	MP2C	Z	-15.659	4.25
27	MP2C	Mx	-.016	4.25
28	MP2C	X	9.04	7.75
29	MP2C	Z	-15.659	7.75
30	MP2C	Mx	-.016	7.75
31	MP3C	X	4.52	4.25
32	MP3C	Z	-7.828	4.25
33	MP3C	Mx	-.006	4.25



Member Point Loads (BLC 28 : Antenna Wm (30 Deg)) (Continued)

	Member Label	Direction	Magnitude[lb.k-ft]	Location[ft.%]
34	MP3C	X	4.52	7.75
35	MP3C	Z	-7.828	7.75
36	MP3C	Mx	-.006	7.75
37	MP3C	X	4.52	4.25
38	MP3C	Z	-7.828	4.25
39	MP3C	Mx	-.003	4.25
40	MP3C	X	4.52	7.75
41	MP3C	Z	-7.828	7.75
42	MP3C	Mx	-.003	7.75
43	MP4A	X	9.04	4.25
44	MP4A	Z	-15.659	4.25
45	MP4A	Mx	-.013	4.25
46	MP4A	X	9.04	7.75
47	MP4A	Z	-15.659	7.75
48	MP4A	Mx	-.013	7.75
49	MP4B	X	4.52	4.25
50	MP4B	Z	-7.828	4.25
51	MP4B	Mx	.006	4.25
52	MP4B	X	4.52	7.75
53	MP4B	Z	-7.828	7.75
54	MP4B	Mx	.006	7.75
55	MP4A	X	9.04	4.25
56	MP4A	Z	-15.659	4.25
57	MP4A	Mx	.016	4.25
58	MP4A	X	9.04	7.75
59	MP4A	Z	-15.659	7.75
60	MP4A	Mx	.016	7.75
61	MP4B	X	4.52	4.25
62	MP4B	Z	-7.828	4.25
63	MP4B	Mx	.003	4.25
64	MP4B	X	4.52	7.75
65	MP4B	Z	-7.828	7.75
66	MP4B	Mx	.003	7.75
67	MP2C	X	1.91	3.5
68	MP2C	Z	-3.308	3.5
69	MP2C	Mx	-.002	3.5
70	MP3C	X	1.91	3.5
71	MP3C	Z	-3.308	3.5
72	MP3C	Mx	-.002	3.5
73	MP4A	X	1.91	3.5
74	MP4A	Z	-3.308	3.5
75	MP4A	Mx	.004	3.5
76	MP4B	X	1.91	3.5
77	MP4B	Z	-3.308	3.5
78	MP4B	Mx	-.002	3.5
79	MP2C	X	1.91	3.5
80	MP2C	Z	-3.308	3.5
81	MP2C	Mx	.004	3.5
82	MP3C	X	1.91	3.5
83	MP3C	Z	-3.308	3.5
84	MP3C	Mx	.004	3.5
85	MP4A	X	1.91	3.5
86	MP4A	Z	-3.308	3.5
87	MP4A	Mx	-.002	3.5
88	MP4B	X	1.91	3.5
89	MP4B	Z	-3.308	3.5
90	MP4B	Mx	-.002	3.5



Member Point Loads (BLC 28 : Antenna Wm (30 Deg)) (Continued)

	Member Label	Direction	Magnitude[lb.k-ft]	Location[ft.%]
91	R1	X	2.948	2
92	R1	Z	-5.106	2
93	R1	Mx	0	2
94	R2	X	2.948	1
95	R2	Z	-5.106	1
96	R2	Mx	0	1
97	MP1A	X	5.455	1.5
98	MP1A	Z	-9.449	1.5
99	MP1A	Mx	-.003	1.5

Member Point Loads (BLC 29 : Antenna Wm (60 Deg))

	Member Label	Direction	Magnitude[lb.k-ft]	Location[ft.%]
1	MP1B	X	2.621	4
2	MP1B	Z	-1.513	4
3	MP1B	Mx	.001	4
4	MP1B	X	2.621	6
5	MP1B	Z	-1.513	6
6	MP1B	Mx	.001	6
7	MP1C	X	4.035	4
8	MP1C	Z	-2.33	4
9	MP1C	Mx	0	4
10	MP1C	X	4.035	6
11	MP1C	Z	-2.33	6
12	MP1C	Mx	0	6
13	MP2A	X	2.621	4
14	MP2A	Z	-1.513	4
15	MP2A	Mx	-.001	4
16	MP2A	X	2.621	6
17	MP2A	Z	-1.513	6
18	MP2A	Mx	-.001	6
19	MP2C	X	14.935	4.25
20	MP2C	Z	-8.623	4.25
21	MP2C	Mx	.016	4.25
22	MP2C	X	14.935	7.75
23	MP2C	Z	-8.623	7.75
24	MP2C	Mx	.016	7.75
25	MP2C	X	14.935	4.25
26	MP2C	Z	-8.623	4.25
27	MP2C	Mx	-.011	4.25
28	MP2C	X	14.935	7.75
29	MP2C	Z	-8.623	7.75
30	MP2C	Mx	-.011	7.75
31	MP3C	X	8.552	4.25
32	MP3C	Z	-4.937	4.25
33	MP3C	Mx	-.002	4.25
34	MP3C	X	8.552	7.75
35	MP3C	Z	-4.937	7.75
36	MP3C	Mx	-.002	7.75
37	MP3C	X	8.552	4.25
38	MP3C	Z	-4.937	4.25
39	MP3C	Mx	-.007	4.25
40	MP3C	X	8.552	7.75
41	MP3C	Z	-4.937	7.75
42	MP3C	Mx	-.007	7.75
43	MP4A	X	14.935	4.25
44	MP4A	Z	-8.623	4.25



Member Point Loads (BLC 29 : Antenna Wm (60 Deg)) (Continued)

	Member Label	Direction	Magnitude[lb.k-ft]	Location[ft.%]
45	MP4A	Mx	-.016	4.25
46	MP4A	X	14.935	7.75
47	MP4A	Z	-8.623	7.75
48	MP4A	Mx	-.016	7.75
49	MP4B	X	8.552	4.25
50	MP4B	Z	-4.937	4.25
51	MP4B	Mx	.002	4.25
52	MP4B	X	8.552	7.75
53	MP4B	Z	-4.937	7.75
54	MP4B	Mx	.002	7.75
55	MP4A	X	14.935	4.25
56	MP4A	Z	-8.623	4.25
57	MP4A	Mx	.011	4.25
58	MP4A	X	14.935	7.75
59	MP4A	Z	-8.623	7.75
60	MP4A	Mx	.011	7.75
61	MP4B	X	8.552	4.25
62	MP4B	Z	-4.937	4.25
63	MP4B	Mx	.007	4.25
64	MP4B	X	8.552	7.75
65	MP4B	Z	-4.937	7.75
66	MP4B	Mx	.007	7.75
67	MP2C	X	3.308	3.5
68	MP2C	Z	-1.91	3.5
69	MP2C	Mx	-.003	3.5
70	MP3C	X	3.308	3.5
71	MP3C	Z	-1.91	3.5
72	MP3C	Mx	-.003	3.5
73	MP4A	X	3.308	3.5
74	MP4A	Z	-1.91	3.5
75	MP4A	Mx	.003	3.5
76	MP4B	X	3.308	3.5
77	MP4B	Z	-1.91	3.5
78	MP4B	Mx	-6.3e-5	3.5
79	MP2C	X	3.308	3.5
80	MP2C	Z	-1.91	3.5
81	MP2C	Mx	.003	3.5
82	MP3C	X	3.308	3.5
83	MP3C	Z	-1.91	3.5
84	MP3C	Mx	.003	3.5
85	MP4A	X	3.308	3.5
86	MP4A	Z	-1.91	3.5
87	MP4A	Mx	6.2e-5	3.5
88	MP4B	X	3.308	3.5
89	MP4B	Z	-1.91	3.5
90	MP4B	Mx	-.003	3.5
91	R1	X	5.327	2
92	R1	Z	-3.076	2
93	R1	Mx	0	2
94	R2	X	5.327	1
95	R2	Z	-3.076	1
96	R2	Mx	0	1
97	MP1A	X	6.736	1.5
98	MP1A	Z	-3.889	1.5
99	MP1A	Mx	-.003	1.5



Member Point Loads (BLC 30 : Antenna Wm (90 Deg))

	Member Label	Direction	Magnitude[lb.k-ft]	Location[ft.%]
1	MP1B	X	4.115	4
2	MP1B	Z	0	4
3	MP1B	Mx	.001	4
4	MP1B	X	4.115	6
5	MP1B	Z	0	6
6	MP1B	Mx	.001	6
7	MP1C	X	4.115	4
8	MP1C	Z	0	4
9	MP1C	Mx	.001	4
10	MP1C	X	4.115	6
11	MP1C	Z	0	6
12	MP1C	Mx	.001	6
13	MP2A	X	2.483	4
14	MP2A	Z	0	4
15	MP2A	Mx	-.001	4
16	MP2A	X	2.483	6
17	MP2A	Z	0	6
18	MP2A	Mx	-.001	6
19	MP2C	X	12.725	4.25
20	MP2C	Z	0	4.25
21	MP2C	Mx	.012	4.25
22	MP2C	X	12.725	7.75
23	MP2C	Z	0	7.75
24	MP2C	Mx	.012	7.75
25	MP2C	X	12.725	4.25
26	MP2C	Z	0	4.25
27	MP2C	Mx	-.002	4.25
28	MP2C	X	12.725	7.75
29	MP2C	Z	0	7.75
30	MP2C	Mx	-.002	7.75
31	MP3C	X	14.396	4.25
32	MP3C	Z	0	4.25
33	MP3C	Mx	.005	4.25
34	MP3C	X	14.396	7.75
35	MP3C	Z	0	7.75
36	MP3C	Mx	.005	7.75
37	MP3C	X	14.396	4.25
38	MP3C	Z	0	4.25
39	MP3C	Mx	-.014	4.25
40	MP3C	X	14.396	7.75
41	MP3C	Z	0	7.75
42	MP3C	Mx	-.014	7.75
43	MP4A	X	12.725	4.25
44	MP4A	Z	0	4.25
45	MP4A	Mx	-.012	4.25
46	MP4A	X	12.725	7.75
47	MP4A	Z	0	7.75
48	MP4A	Mx	-.012	7.75
49	MP4B	X	14.396	4.25
50	MP4B	Z	0	4.25
51	MP4B	Mx	-.005	4.25
52	MP4B	X	14.396	7.75
53	MP4B	Z	0	7.75
54	MP4B	Mx	-.005	7.75
55	MP4A	X	12.725	4.25
56	MP4A	Z	0	4.25
57	MP4A	Mx	.002	4.25



Member Point Loads (BLC 30 : Antenna Wm (90 Deg)) (Continued)

	Member Label	Direction	Magnitude[lb.k-ft]	Location[ft.%]
58	MP4A	X	12.725	7.75
59	MP4A	Z	0	7.75
60	MP4A	Mx	.002	7.75
61	MP4B	X	14.396	4.25
62	MP4B	Z	0	4.25
63	MP4B	Mx	.014	4.25
64	MP4B	X	14.396	7.75
65	MP4B	Z	0	7.75
66	MP4B	Mx	.014	7.75
67	MP2C	X	3.819	3.5
68	MP2C	Z	0	3.5
69	MP2C	Mx	-.004	3.5
70	MP3C	X	3.819	3.5
71	MP3C	Z	0	3.5
72	MP3C	Mx	-.004	3.5
73	MP4A	X	3.819	3.5
74	MP4A	Z	0	3.5
75	MP4A	Mx	.002	3.5
76	MP4B	X	3.819	3.5
77	MP4B	Z	0	3.5
78	MP4B	Mx	.002	3.5
79	MP2C	X	3.819	3.5
80	MP2C	Z	0	3.5
81	MP2C	Mx	.002	3.5
82	MP3C	X	3.819	3.5
83	MP3C	Z	0	3.5
84	MP3C	Mx	.002	3.5
85	MP4A	X	3.819	3.5
86	MP4A	Z	0	3.5
87	MP4A	Mx	.002	3.5
88	MP4B	X	3.819	3.5
89	MP4B	Z	0	3.5
90	MP4B	Mx	-.004	3.5
91	R1	X	7.534	2
92	R1	Z	0	2
93	R1	Mx	0	2
94	R2	X	7.534	1
95	R2	Z	0	1
96	R2	Mx	0	1
97	MP1A	X	6.211	1.5
98	MP1A	Z	0	1.5
99	MP1A	Mx	-.003	1.5

Member Point Loads (BLC 31 : Antenna Wm (120 Deg))

	Member Label	Direction	Magnitude[lb.k-ft]	Location[ft.%]
1	MP1B	X	4.035	4
2	MP1B	Z	2.33	4
3	MP1B	Mx	0	4
4	MP1B	X	4.035	6
5	MP1B	Z	2.33	6
6	MP1B	Mx	0	6
7	MP1C	X	2.621	4
8	MP1C	Z	1.513	4
9	MP1C	Mx	.001	4
10	MP1C	X	2.621	6
11	MP1C	Z	1.513	6



Member Point Loads (BLC 31 : Antenna Wm (120 Deg)) (Continued)

	Member Label	Direction	Magnitude[lb.k-ft]	Location[ft.%]
12	MP1C	Mx	.001	6
13	MP2A	X	2.621	4
14	MP2A	Z	1.513	4
15	MP2A	Mx	-.001	4
16	MP2A	X	2.621	6
17	MP2A	Z	1.513	6
18	MP2A	Mx	-.001	6
19	MP2C	X	7.828	4.25
20	MP2C	Z	4.52	4.25
21	MP2C	Mx	.006	4.25
22	MP2C	X	7.828	7.75
23	MP2C	Z	4.52	7.75
24	MP2C	Mx	.006	7.75
25	MP2C	X	7.828	4.25
26	MP2C	Z	4.52	4.25
27	MP2C	Mx	.003	4.25
28	MP2C	X	7.828	7.75
29	MP2C	Z	4.52	7.75
30	MP2C	Mx	.003	7.75
31	MP3C	X	15.659	4.25
32	MP3C	Z	9.04	4.25
33	MP3C	Mx	.013	4.25
34	MP3C	X	15.659	7.75
35	MP3C	Z	9.04	7.75
36	MP3C	Mx	.013	7.75
37	MP3C	X	15.659	4.25
38	MP3C	Z	9.04	4.25
39	MP3C	Mx	-.016	4.25
40	MP3C	X	15.659	7.75
41	MP3C	Z	9.04	7.75
42	MP3C	Mx	-.016	7.75
43	MP4A	X	7.828	4.25
44	MP4A	Z	4.52	4.25
45	MP4A	Mx	-.006	4.25
46	MP4A	X	7.828	7.75
47	MP4A	Z	4.52	7.75
48	MP4A	Mx	-.006	7.75
49	MP4B	X	15.659	4.25
50	MP4B	Z	9.04	4.25
51	MP4B	Mx	-.013	4.25
52	MP4B	X	15.659	7.75
53	MP4B	Z	9.04	7.75
54	MP4B	Mx	-.013	7.75
55	MP4A	X	7.828	4.25
56	MP4A	Z	4.52	4.25
57	MP4A	Mx	-.003	4.25
58	MP4A	X	7.828	7.75
59	MP4A	Z	4.52	7.75
60	MP4A	Mx	-.003	7.75
61	MP4B	X	15.659	4.25
62	MP4B	Z	9.04	4.25
63	MP4B	Mx	.016	4.25
64	MP4B	X	15.659	7.75
65	MP4B	Z	9.04	7.75
66	MP4B	Mx	.016	7.75
67	MP2C	X	3.308	3.5
68	MP2C	Z	1.91	3.5



Member Point Loads (BLC 31 : Antenna Wm (120 Deg)) (Continued)

	Member Label	Direction	Magnitude[lb.k-ft]	Location[ft.%]
69	MP2C	Mx	-.003	3.5
70	MP3C	X	3.308	3.5
71	MP3C	Z	1.91	3.5
72	MP3C	Mx	-.003	3.5
73	MP4A	X	3.308	3.5
74	MP4A	Z	1.91	3.5
75	MP4A	Mx	6.2e-5	3.5
76	MP4B	X	3.308	3.5
77	MP4B	Z	1.91	3.5
78	MP4B	Mx	.003	3.5
79	MP2C	X	3.308	3.5
80	MP2C	Z	1.91	3.5
81	MP2C	Mx	-6.3e-5	3.5
82	MP3C	X	3.308	3.5
83	MP3C	Z	1.91	3.5
84	MP3C	Mx	-6.3e-5	3.5
85	MP4A	X	3.308	3.5
86	MP4A	Z	1.91	3.5
87	MP4A	Mx	.003	3.5
88	MP4B	X	3.308	3.5
89	MP4B	Z	1.91	3.5
90	MP4B	Mx	-.003	3.5
91	R1	X	7.501	2
92	R1	Z	4.331	2
93	R1	Mx	0	2
94	R2	X	7.501	1
95	R2	Z	4.331	1
96	R2	Mx	0	1
97	MP1A	X	6.736	1.5
98	MP1A	Z	3.889	1.5
99	MP1A	Mx	-.003	1.5

Member Point Loads (BLC 32 : Antenna Wm (150 Deg))

	Member Label	Direction	Magnitude[lb.k-ft]	Location[ft.%]
1	MP1B	X	2.058	4
2	MP1B	Z	3.564	4
3	MP1B	Mx	-.001	4
4	MP1B	X	2.058	6
5	MP1B	Z	3.564	6
6	MP1B	Mx	-.001	6
7	MP1C	X	1.241	4
8	MP1C	Z	2.15	4
9	MP1C	Mx	.001	4
10	MP1C	X	1.241	6
11	MP1C	Z	2.15	6
12	MP1C	Mx	.001	6
13	MP2A	X	2.058	4
14	MP2A	Z	3.564	4
15	MP2A	Mx	-.001	4
16	MP2A	X	2.058	6
17	MP2A	Z	3.564	6
18	MP2A	Mx	-.001	6
19	MP2C	X	4.937	4.25
20	MP2C	Z	8.552	4.25
21	MP2C	Mx	.002	4.25
22	MP2C	X	4.937	7.75



Member Point Loads (BLC 32 : Antenna Wm (150 Deg)) (Continued)

	Member Label	Direction	Magnitude[lb.k-ft]	Location[ft.%]
23	MP2C	Z	8.552	7.75
24	MP2C	Mx	.002	7.75
25	MP2C	X	4.937	4.25
26	MP2C	Z	8.552	4.25
27	MP2C	Mx	.007	4.25
28	MP2C	X	4.937	7.75
29	MP2C	Z	8.552	7.75
30	MP2C	Mx	.007	7.75
31	MP3C	X	8.623	4.25
32	MP3C	Z	14.935	4.25
33	MP3C	Mx	.016	4.25
34	MP3C	X	8.623	7.75
35	MP3C	Z	14.935	7.75
36	MP3C	Mx	.016	7.75
37	MP3C	X	8.623	4.25
38	MP3C	Z	14.935	4.25
39	MP3C	Mx	-.011	4.25
40	MP3C	X	8.623	7.75
41	MP3C	Z	14.935	7.75
42	MP3C	Mx	-.011	7.75
43	MP4A	X	4.937	4.25
44	MP4A	Z	8.552	4.25
45	MP4A	Mx	-.002	4.25
46	MP4A	X	4.937	7.75
47	MP4A	Z	8.552	7.75
48	MP4A	Mx	-.002	7.75
49	MP4B	X	8.623	4.25
50	MP4B	Z	14.935	4.25
51	MP4B	Mx	-.016	4.25
52	MP4B	X	8.623	7.75
53	MP4B	Z	14.935	7.75
54	MP4B	Mx	-.016	7.75
55	MP4A	X	4.937	4.25
56	MP4A	Z	8.552	4.25
57	MP4A	Mx	-.007	4.25
58	MP4A	X	4.937	7.75
59	MP4A	Z	8.552	7.75
60	MP4A	Mx	-.007	7.75
61	MP4B	X	8.623	4.25
62	MP4B	Z	14.935	4.25
63	MP4B	Mx	.011	4.25
64	MP4B	X	8.623	7.75
65	MP4B	Z	14.935	7.75
66	MP4B	Mx	.011	7.75
67	MP2C	X	1.91	3.5
68	MP2C	Z	3.308	3.5
69	MP2C	Mx	-.002	3.5
70	MP3C	X	1.91	3.5
71	MP3C	Z	3.308	3.5
72	MP3C	Mx	-.002	3.5
73	MP4A	X	1.91	3.5
74	MP4A	Z	3.308	3.5
75	MP4A	Mx	-.002	3.5
76	MP4B	X	1.91	3.5
77	MP4B	Z	3.308	3.5
78	MP4B	Mx	.004	3.5
79	MP2C	X	1.91	3.5



Member Point Loads (BLC 32 : Antenna Wm (150 Deg)) (Continued)

	Member Label	Direction	Magnitude[lb.k-ft]	Location[ft.%]
80	MP2C	Z	3.308	3.5
81	MP2C	Mx	-.002	3.5
82	MP3C	X	1.91	3.5
83	MP3C	Z	3.308	3.5
84	MP3C	Mx	-.002	3.5
85	MP4A	X	1.91	3.5
86	MP4A	Z	3.308	3.5
87	MP4A	Mx	.004	3.5
88	MP4B	X	1.91	3.5
89	MP4B	Z	3.308	3.5
90	MP4B	Mx	-.002	3.5
91	R1	X	4.203	2
92	R1	Z	7.279	2
93	R1	Mx	0	2
94	R2	X	4.203	1
95	R2	Z	7.279	1
96	R2	Mx	0	1
97	MP1A	X	5.455	1.5
98	MP1A	Z	9.449	1.5
99	MP1A	Mx	-.003	1.5

Member Point Loads (BLC 33 : Antenna Wm (180 Deg))

	Member Label	Direction	Magnitude[lb.k-ft]	Location[ft.%]
1	MP1B	X	0	4
2	MP1B	Z	3.027	4
3	MP1B	Mx	-.001	4
4	MP1B	X	0	6
5	MP1B	Z	3.027	6
6	MP1B	Mx	-.001	6
7	MP1C	X	0	4
8	MP1C	Z	3.027	4
9	MP1C	Mx	.001	4
10	MP1C	X	0	6
11	MP1C	Z	3.027	6
12	MP1C	Mx	.001	6
13	MP2A	X	0	4
14	MP2A	Z	4.659	4
15	MP2A	Mx	0	4
16	MP2A	X	0	6
17	MP2A	Z	4.659	6
18	MP2A	Mx	0	6
19	MP2C	X	0	4.25
20	MP2C	Z	14.396	4.25
21	MP2C	Mx	-.005	4.25
22	MP2C	X	0	7.75
23	MP2C	Z	14.396	7.75
24	MP2C	Mx	-.005	7.75
25	MP2C	X	0	4.25
26	MP2C	Z	14.396	4.25
27	MP2C	Mx	.014	4.25
28	MP2C	X	0	7.75
29	MP2C	Z	14.396	7.75
30	MP2C	Mx	.014	7.75
31	MP3C	X	0	4.25
32	MP3C	Z	12.725	4.25
33	MP3C	Mx	.012	4.25



Member Point Loads (BLC 33 : Antenna Wm (180 Deg)) (Continued)

	Member Label	Direction	Magnitude[lb.k-ft]	Location[ft.%]
34	MP3C	X	0	7.75
35	MP3C	Z	12.725	7.75
36	MP3C	Mx	.012	7.75
37	MP3C	X	0	4.25
38	MP3C	Z	12.725	4.25
39	MP3C	Mx	-.002	4.25
40	MP3C	X	0	7.75
41	MP3C	Z	12.725	7.75
42	MP3C	Mx	-.002	7.75
43	MP4A	X	0	4.25
44	MP4A	Z	14.396	4.25
45	MP4A	Mx	.005	4.25
46	MP4A	X	0	7.75
47	MP4A	Z	14.396	7.75
48	MP4A	Mx	.005	7.75
49	MP4B	X	0	4.25
50	MP4B	Z	12.725	4.25
51	MP4B	Mx	-.012	4.25
52	MP4B	X	0	7.75
53	MP4B	Z	12.725	7.75
54	MP4B	Mx	-.012	7.75
55	MP4A	X	0	4.25
56	MP4A	Z	14.396	4.25
57	MP4A	Mx	-.014	4.25
58	MP4A	X	0	7.75
59	MP4A	Z	14.396	7.75
60	MP4A	Mx	-.014	7.75
61	MP4B	X	0	4.25
62	MP4B	Z	12.725	4.25
63	MP4B	Mx	.002	4.25
64	MP4B	X	0	7.75
65	MP4B	Z	12.725	7.75
66	MP4B	Mx	.002	7.75
67	MP2C	X	0	3.5
68	MP2C	Z	3.819	3.5
69	MP2C	Mx	-6.2e-5	3.5
70	MP3C	X	0	3.5
71	MP3C	Z	3.819	3.5
72	MP3C	Mx	-6.2e-5	3.5
73	MP4A	X	0	3.5
74	MP4A	Z	3.819	3.5
75	MP4A	Mx	-.003	3.5
76	MP4B	X	0	3.5
77	MP4B	Z	3.819	3.5
78	MP4B	Mx	.003	3.5
79	MP2C	X	0	3.5
80	MP2C	Z	3.819	3.5
81	MP2C	Mx	-.003	3.5
82	MP3C	X	0	3.5
83	MP3C	Z	3.819	3.5
84	MP3C	Mx	-.003	3.5
85	MP4A	X	0	3.5
86	MP4A	Z	3.819	3.5
87	MP4A	Mx	.003	3.5
88	MP4B	X	0	3.5
89	MP4B	Z	3.819	3.5
90	MP4B	Mx	6.2e-5	3.5



Member Point Loads (BLC 33 : Antenna Wm (180 Deg)) (Continued)

	Member Label	Direction	Magnitude[lb.k-ft]	Location[ft.%]
91	R1	X	0	2
92	R1	Z	7.023	2
93	R1	Mx	0	2
94	R2	X	0	1
95	R2	Z	7.023	1
96	R2	Mx	0	1
97	MP1A	X	0	1.5
98	MP1A	Z	12.477	1.5
99	MP1A	Mx	0	1.5

Member Point Loads (BLC 34 : Antenna Wm (210 Deg))

	Member Label	Direction	Magnitude[lb.k-ft]	Location[ft.%]
1	MP1B	X	-1.241	4
2	MP1B	Z	2.15	4
3	MP1B	Mx	-.001	4
4	MP1B	X	-1.241	6
5	MP1B	Z	2.15	6
6	MP1B	Mx	-.001	6
7	MP1C	X	-2.058	4
8	MP1C	Z	3.564	4
9	MP1C	Mx	.001	4
10	MP1C	X	-2.058	6
11	MP1C	Z	3.564	6
12	MP1C	Mx	.001	6
13	MP2A	X	-2.058	4
14	MP2A	Z	3.564	4
15	MP2A	Mx	.001	4
16	MP2A	X	-2.058	6
17	MP2A	Z	3.564	6
18	MP2A	Mx	.001	6
19	MP2C	X	-9.04	4.25
20	MP2C	Z	15.659	4.25
21	MP2C	Mx	-.013	4.25
22	MP2C	X	-9.04	7.75
23	MP2C	Z	15.659	7.75
24	MP2C	Mx	-.013	7.75
25	MP2C	X	-9.04	4.25
26	MP2C	Z	15.659	4.25
27	MP2C	Mx	.016	4.25
28	MP2C	X	-9.04	7.75
29	MP2C	Z	15.659	7.75
30	MP2C	Mx	.016	7.75
31	MP3C	X	-4.52	4.25
32	MP3C	Z	7.828	4.25
33	MP3C	Mx	.006	4.25
34	MP3C	X	-4.52	7.75
35	MP3C	Z	7.828	7.75
36	MP3C	Mx	.006	7.75
37	MP3C	X	-4.52	4.25
38	MP3C	Z	7.828	4.25
39	MP3C	Mx	.003	4.25
40	MP3C	X	-4.52	7.75
41	MP3C	Z	7.828	7.75
42	MP3C	Mx	.003	7.75
43	MP4A	X	-9.04	4.25
44	MP4A	Z	15.659	4.25



Member Point Loads (BLC 34 : Antenna Wm (210 Deg)) (Continued)

	Member Label	Direction	Magnitude[lb.k-ft]	Location[ft.%]
45	MP4A	Mx	.013	4.25
46	MP4A	X	-9.04	7.75
47	MP4A	Z	15.659	7.75
48	MP4A	Mx	.013	7.75
49	MP4B	X	-4.52	4.25
50	MP4B	Z	7.828	4.25
51	MP4B	Mx	-.006	4.25
52	MP4B	X	-4.52	7.75
53	MP4B	Z	7.828	7.75
54	MP4B	Mx	-.006	7.75
55	MP4A	X	-9.04	4.25
56	MP4A	Z	15.659	4.25
57	MP4A	Mx	-.016	4.25
58	MP4A	X	-9.04	7.75
59	MP4A	Z	15.659	7.75
60	MP4A	Mx	-.016	7.75
61	MP4B	X	-4.52	4.25
62	MP4B	Z	7.828	4.25
63	MP4B	Mx	-.003	4.25
64	MP4B	X	-4.52	7.75
65	MP4B	Z	7.828	7.75
66	MP4B	Mx	-.003	7.75
67	MP2C	X	-1.91	3.5
68	MP2C	Z	3.308	3.5
69	MP2C	Mx	.002	3.5
70	MP3C	X	-1.91	3.5
71	MP3C	Z	3.308	3.5
72	MP3C	Mx	.002	3.5
73	MP4A	X	-1.91	3.5
74	MP4A	Z	3.308	3.5
75	MP4A	Mx	-.004	3.5
76	MP4B	X	-1.91	3.5
77	MP4B	Z	3.308	3.5
78	MP4B	Mx	.002	3.5
79	MP2C	X	-1.91	3.5
80	MP2C	Z	3.308	3.5
81	MP2C	Mx	-.004	3.5
82	MP3C	X	-1.91	3.5
83	MP3C	Z	3.308	3.5
84	MP3C	Mx	-.004	3.5
85	MP4A	X	-1.91	3.5
86	MP4A	Z	3.308	3.5
87	MP4A	Mx	.002	3.5
88	MP4B	X	-1.91	3.5
89	MP4B	Z	3.308	3.5
90	MP4B	Mx	.002	3.5
91	R1	X	-2.948	2
92	R1	Z	5.106	2
93	R1	Mx	0	2
94	R2	X	-2.948	1
95	R2	Z	5.106	1
96	R2	Mx	0	1
97	MP1A	X	-5.455	1.5
98	MP1A	Z	9.449	1.5
99	MP1A	Mx	.003	1.5



Member Point Loads (BLC 35 : Antenna Wm (240 Deg))

	Member Label	Direction	Magnitude[lb.k-ft]	Location[ft.%]
1	MP1B	X	-2.621	4
2	MP1B	Z	1.513	4
3	MP1B	Mx	-.001	4
4	MP1B	X	-2.621	6
5	MP1B	Z	1.513	6
6	MP1B	Mx	-.001	6
7	MP1C	X	-4.035	4
8	MP1C	Z	2.33	4
9	MP1C	Mx	0	4
10	MP1C	X	-4.035	6
11	MP1C	Z	2.33	6
12	MP1C	Mx	0	6
13	MP2A	X	-2.621	4
14	MP2A	Z	1.513	4
15	MP2A	Mx	.001	4
16	MP2A	X	-2.621	6
17	MP2A	Z	1.513	6
18	MP2A	Mx	.001	6
19	MP2C	X	-14.935	4.25
20	MP2C	Z	8.623	4.25
21	MP2C	Mx	-.016	4.25
22	MP2C	X	-14.935	7.75
23	MP2C	Z	8.623	7.75
24	MP2C	Mx	-.016	7.75
25	MP2C	X	-14.935	4.25
26	MP2C	Z	8.623	4.25
27	MP2C	Mx	.011	4.25
28	MP2C	X	-14.935	7.75
29	MP2C	Z	8.623	7.75
30	MP2C	Mx	.011	7.75
31	MP3C	X	-8.552	4.25
32	MP3C	Z	4.937	4.25
33	MP3C	Mx	.002	4.25
34	MP3C	X	-8.552	7.75
35	MP3C	Z	4.937	7.75
36	MP3C	Mx	.002	7.75
37	MP3C	X	-8.552	4.25
38	MP3C	Z	4.937	4.25
39	MP3C	Mx	.007	4.25
40	MP3C	X	-8.552	7.75
41	MP3C	Z	4.937	7.75
42	MP3C	Mx	.007	7.75
43	MP4A	X	-14.935	4.25
44	MP4A	Z	8.623	4.25
45	MP4A	Mx	.016	4.25
46	MP4A	X	-14.935	7.75
47	MP4A	Z	8.623	7.75
48	MP4A	Mx	.016	7.75
49	MP4B	X	-8.552	4.25
50	MP4B	Z	4.937	4.25
51	MP4B	Mx	-.002	4.25
52	MP4B	X	-8.552	7.75
53	MP4B	Z	4.937	7.75
54	MP4B	Mx	-.002	7.75
55	MP4A	X	-14.935	4.25
56	MP4A	Z	8.623	4.25
57	MP4A	Mx	-.011	4.25



Member Point Loads (BLC 35 : Antenna Wm (240 Deg)) (Continued)

	Member Label	Direction	Magnitude[lb.k-ft]	Location[ft.%]
58	MP4A	X	-14.935	7.75
59	MP4A	Z	8.623	7.75
60	MP4A	Mx	-.011	7.75
61	MP4B	X	-8.552	4.25
62	MP4B	Z	4.937	4.25
63	MP4B	Mx	-.007	4.25
64	MP4B	X	-8.552	7.75
65	MP4B	Z	4.937	7.75
66	MP4B	Mx	-.007	7.75
67	MP2C	X	-3.308	3.5
68	MP2C	Z	1.91	3.5
69	MP2C	Mx	.003	3.5
70	MP3C	X	-3.308	3.5
71	MP3C	Z	1.91	3.5
72	MP3C	Mx	.003	3.5
73	MP4A	X	-3.308	3.5
74	MP4A	Z	1.91	3.5
75	MP4A	Mx	-.003	3.5
76	MP4B	X	-3.308	3.5
77	MP4B	Z	1.91	3.5
78	MP4B	Mx	6.3e-5	3.5
79	MP2C	X	-3.308	3.5
80	MP2C	Z	1.91	3.5
81	MP2C	Mx	-.003	3.5
82	MP3C	X	-3.308	3.5
83	MP3C	Z	1.91	3.5
84	MP3C	Mx	-.003	3.5
85	MP4A	X	-3.308	3.5
86	MP4A	Z	1.91	3.5
87	MP4A	Mx	-6.2e-5	3.5
88	MP4B	X	-3.308	3.5
89	MP4B	Z	1.91	3.5
90	MP4B	Mx	.003	3.5
91	R1	X	-5.327	2
92	R1	Z	3.076	2
93	R1	Mx	0	2
94	R2	X	-5.327	1
95	R2	Z	3.076	1
96	R2	Mx	0	1
97	MP1A	X	-6.736	1.5
98	MP1A	Z	3.889	1.5
99	MP1A	Mx	.003	1.5

Member Point Loads (BLC 36 : Antenna Wm (270 Deg))

	Member Label	Direction	Magnitude[lb.k-ft]	Location[ft.%]
1	MP1B	X	-4.115	4
2	MP1B	Z	0	4
3	MP1B	Mx	-.001	4
4	MP1B	X	-4.115	6
5	MP1B	Z	0	6
6	MP1B	Mx	-.001	6
7	MP1C	X	-4.115	4
8	MP1C	Z	0	4
9	MP1C	Mx	-.001	4
10	MP1C	X	-4.115	6
11	MP1C	Z	0	6



Member Point Loads (BLC 36 : Antenna Wm (270 Deg)) (Continued)

	Member Label	Direction	Magnitude[lb.k-ft]	Location[ft.%]
12	MP1C	Mx	-.001	6
13	MP2A	X	-2.483	4
14	MP2A	Z	0	4
15	MP2A	Mx	.001	4
16	MP2A	X	-2.483	6
17	MP2A	Z	0	6
18	MP2A	Mx	.001	6
19	MP2C	X	-12.725	4.25
20	MP2C	Z	0	4.25
21	MP2C	Mx	-.012	4.25
22	MP2C	X	-12.725	7.75
23	MP2C	Z	0	7.75
24	MP2C	Mx	-.012	7.75
25	MP2C	X	-12.725	4.25
26	MP2C	Z	0	4.25
27	MP2C	Mx	.002	4.25
28	MP2C	X	-12.725	7.75
29	MP2C	Z	0	7.75
30	MP2C	Mx	.002	7.75
31	MP3C	X	-14.396	4.25
32	MP3C	Z	0	4.25
33	MP3C	Mx	-.005	4.25
34	MP3C	X	-14.396	7.75
35	MP3C	Z	0	7.75
36	MP3C	Mx	-.005	7.75
37	MP3C	X	-14.396	4.25
38	MP3C	Z	0	4.25
39	MP3C	Mx	.014	4.25
40	MP3C	X	-14.396	7.75
41	MP3C	Z	0	7.75
42	MP3C	Mx	.014	7.75
43	MP4A	X	-12.725	4.25
44	MP4A	Z	0	4.25
45	MP4A	Mx	.012	4.25
46	MP4A	X	-12.725	7.75
47	MP4A	Z	0	7.75
48	MP4A	Mx	.012	7.75
49	MP4B	X	-14.396	4.25
50	MP4B	Z	0	4.25
51	MP4B	Mx	.005	4.25
52	MP4B	X	-14.396	7.75
53	MP4B	Z	0	7.75
54	MP4B	Mx	.005	7.75
55	MP4A	X	-12.725	4.25
56	MP4A	Z	0	4.25
57	MP4A	Mx	-.002	4.25
58	MP4A	X	-12.725	7.75
59	MP4A	Z	0	7.75
60	MP4A	Mx	-.002	7.75
61	MP4B	X	-14.396	4.25
62	MP4B	Z	0	4.25
63	MP4B	Mx	-.014	4.25
64	MP4B	X	-14.396	7.75
65	MP4B	Z	0	7.75
66	MP4B	Mx	-.014	7.75
67	MP2C	X	-3.819	3.5
68	MP2C	Z	0	3.5



Member Point Loads (BLC 36 : Antenna Wm (270 Deg)) (Continued)

	Member Label	Direction	Magnitude[lb.k-ft]	Location[ft.%]
69	MP2C	Mx	.004	3.5
70	MP3C	X	-3.819	3.5
71	MP3C	Z	0	3.5
72	MP3C	Mx	.004	3.5
73	MP4A	X	-3.819	3.5
74	MP4A	Z	0	3.5
75	MP4A	Mx	-.002	3.5
76	MP4B	X	-3.819	3.5
77	MP4B	Z	0	3.5
78	MP4B	Mx	-.002	3.5
79	MP2C	X	-3.819	3.5
80	MP2C	Z	0	3.5
81	MP2C	Mx	-.002	3.5
82	MP3C	X	-3.819	3.5
83	MP3C	Z	0	3.5
84	MP3C	Mx	-.002	3.5
85	MP4A	X	-3.819	3.5
86	MP4A	Z	0	3.5
87	MP4A	Mx	-.002	3.5
88	MP4B	X	-3.819	3.5
89	MP4B	Z	0	3.5
90	MP4B	Mx	.004	3.5
91	R1	X	-7.534	2
92	R1	Z	0	2
93	R1	Mx	0	2
94	R2	X	-7.534	1
95	R2	Z	0	1
96	R2	Mx	0	1
97	MP1A	X	-6.211	1.5
98	MP1A	Z	0	1.5
99	MP1A	Mx	.003	1.5

Member Point Loads (BLC 37 : Antenna Wm (300 Deg))

	Member Label	Direction	Magnitude[lb.k-ft]	Location[ft.%]
1	MP1B	X	-4.035	4
2	MP1B	Z	-2.33	4
3	MP1B	Mx	0	4
4	MP1B	X	-4.035	6
5	MP1B	Z	-2.33	6
6	MP1B	Mx	0	6
7	MP1C	X	-2.621	4
8	MP1C	Z	-1.513	4
9	MP1C	Mx	-.001	4
10	MP1C	X	-2.621	6
11	MP1C	Z	-1.513	6
12	MP1C	Mx	-.001	6
13	MP2A	X	-2.621	4
14	MP2A	Z	-1.513	4
15	MP2A	Mx	.001	4
16	MP2A	X	-2.621	6
17	MP2A	Z	-1.513	6
18	MP2A	Mx	.001	6
19	MP2C	X	-7.828	4.25
20	MP2C	Z	-4.52	4.25
21	MP2C	Mx	-.006	4.25
22	MP2C	X	-7.828	7.75



Member Point Loads (BLC 37 : Antenna Wm (300 Deg)) (Continued)

	Member Label	Direction	Magnitude[lb.k-ft]	Location[ft.%]
23	MP2C	Z	-4.52	7.75
24	MP2C	Mx	-0.006	7.75
25	MP2C	X	-7.828	4.25
26	MP2C	Z	-4.52	4.25
27	MP2C	Mx	-0.003	4.25
28	MP2C	X	-7.828	7.75
29	MP2C	Z	-4.52	7.75
30	MP2C	Mx	-0.003	7.75
31	MP3C	X	-15.659	4.25
32	MP3C	Z	-9.04	4.25
33	MP3C	Mx	-0.013	4.25
34	MP3C	X	-15.659	7.75
35	MP3C	Z	-9.04	7.75
36	MP3C	Mx	-0.013	7.75
37	MP3C	X	-15.659	4.25
38	MP3C	Z	-9.04	4.25
39	MP3C	Mx	.016	4.25
40	MP3C	X	-15.659	7.75
41	MP3C	Z	-9.04	7.75
42	MP3C	Mx	.016	7.75
43	MP4A	X	-7.828	4.25
44	MP4A	Z	-4.52	4.25
45	MP4A	Mx	.006	4.25
46	MP4A	X	-7.828	7.75
47	MP4A	Z	-4.52	7.75
48	MP4A	Mx	.006	7.75
49	MP4B	X	-15.659	4.25
50	MP4B	Z	-9.04	4.25
51	MP4B	Mx	.013	4.25
52	MP4B	X	-15.659	7.75
53	MP4B	Z	-9.04	7.75
54	MP4B	Mx	.013	7.75
55	MP4A	X	-7.828	4.25
56	MP4A	Z	-4.52	4.25
57	MP4A	Mx	.003	4.25
58	MP4A	X	-7.828	7.75
59	MP4A	Z	-4.52	7.75
60	MP4A	Mx	.003	7.75
61	MP4B	X	-15.659	4.25
62	MP4B	Z	-9.04	4.25
63	MP4B	Mx	-0.016	4.25
64	MP4B	X	-15.659	7.75
65	MP4B	Z	-9.04	7.75
66	MP4B	Mx	-0.016	7.75
67	MP2C	X	-3.308	3.5
68	MP2C	Z	-1.91	3.5
69	MP2C	Mx	.003	3.5
70	MP3C	X	-3.308	3.5
71	MP3C	Z	-1.91	3.5
72	MP3C	Mx	.003	3.5
73	MP4A	X	-3.308	3.5
74	MP4A	Z	-1.91	3.5
75	MP4A	Mx	-6.2e-5	3.5
76	MP4B	X	-3.308	3.5
77	MP4B	Z	-1.91	3.5
78	MP4B	Mx	-0.003	3.5
79	MP2C	X	-3.308	3.5



Member Point Loads (BLC 37 : Antenna Wm (300 Deg)) (Continued)

	Member Label	Direction	Magnitude[lb.k-ft]	Location[ft.%]
80	MP2C	Z	-1.91	3.5
81	MP2C	Mx	6.3e-5	3.5
82	MP3C	X	-3.308	3.5
83	MP3C	Z	-1.91	3.5
84	MP3C	Mx	6.3e-5	3.5
85	MP4A	X	-3.308	3.5
86	MP4A	Z	-1.91	3.5
87	MP4A	Mx	-.003	3.5
88	MP4B	X	-3.308	3.5
89	MP4B	Z	-1.91	3.5
90	MP4B	Mx	.003	3.5
91	R1	X	-7.501	2
92	R1	Z	-4.331	2
93	R1	Mx	0	2
94	R2	X	-7.501	1
95	R2	Z	-4.331	1
96	R2	Mx	0	1
97	MP1A	X	-6.736	1.5
98	MP1A	Z	-3.889	1.5
99	MP1A	Mx	.003	1.5

Member Point Loads (BLC 38 : Antenna Wm (330 Deg))

	Member Label	Direction	Magnitude[lb.k-ft]	Location[ft.%]
1	MP1B	X	-2.058	4
2	MP1B	Z	-3.564	4
3	MP1B	Mx	.001	4
4	MP1B	X	-2.058	6
5	MP1B	Z	-3.564	6
6	MP1B	Mx	.001	6
7	MP1C	X	-1.241	4
8	MP1C	Z	-2.15	4
9	MP1C	Mx	-.001	4
10	MP1C	X	-1.241	6
11	MP1C	Z	-2.15	6
12	MP1C	Mx	-.001	6
13	MP2A	X	-2.058	4
14	MP2A	Z	-3.564	4
15	MP2A	Mx	.001	4
16	MP2A	X	-2.058	6
17	MP2A	Z	-3.564	6
18	MP2A	Mx	.001	6
19	MP2C	X	-4.937	4.25
20	MP2C	Z	-8.552	4.25
21	MP2C	Mx	-.002	4.25
22	MP2C	X	-4.937	7.75
23	MP2C	Z	-8.552	7.75
24	MP2C	Mx	-.002	7.75
25	MP2C	X	-4.937	4.25
26	MP2C	Z	-8.552	4.25
27	MP2C	Mx	-.007	4.25
28	MP2C	X	-4.937	7.75
29	MP2C	Z	-8.552	7.75
30	MP2C	Mx	-.007	7.75
31	MP3C	X	-8.623	4.25
32	MP3C	Z	-14.935	4.25
33	MP3C	Mx	-.016	4.25



Member Point Loads (BLC 38 : Antenna Wm (330 Deg)) (Continued)

	Member Label	Direction	Magnitude[lb.k-ft]	Location[ft.%]
34	MP3C	X	-8.623	7.75
35	MP3C	Z	-14.935	7.75
36	MP3C	Mx	-.016	7.75
37	MP3C	X	-8.623	4.25
38	MP3C	Z	-14.935	4.25
39	MP3C	Mx	.011	4.25
40	MP3C	X	-8.623	7.75
41	MP3C	Z	-14.935	7.75
42	MP3C	Mx	.011	7.75
43	MP4A	X	-4.937	4.25
44	MP4A	Z	-8.552	4.25
45	MP4A	Mx	.002	4.25
46	MP4A	X	-4.937	7.75
47	MP4A	Z	-8.552	7.75
48	MP4A	Mx	.002	7.75
49	MP4B	X	-8.623	4.25
50	MP4B	Z	-14.935	4.25
51	MP4B	Mx	.016	4.25
52	MP4B	X	-8.623	7.75
53	MP4B	Z	-14.935	7.75
54	MP4B	Mx	.016	7.75
55	MP4A	X	-4.937	4.25
56	MP4A	Z	-8.552	4.25
57	MP4A	Mx	.007	4.25
58	MP4A	X	-4.937	7.75
59	MP4A	Z	-8.552	7.75
60	MP4A	Mx	.007	7.75
61	MP4B	X	-8.623	4.25
62	MP4B	Z	-14.935	4.25
63	MP4B	Mx	-.011	4.25
64	MP4B	X	-8.623	7.75
65	MP4B	Z	-14.935	7.75
66	MP4B	Mx	-.011	7.75
67	MP2C	X	-1.91	3.5
68	MP2C	Z	-3.308	3.5
69	MP2C	Mx	.002	3.5
70	MP3C	X	-1.91	3.5
71	MP3C	Z	-3.308	3.5
72	MP3C	Mx	.002	3.5
73	MP4A	X	-1.91	3.5
74	MP4A	Z	-3.308	3.5
75	MP4A	Mx	.002	3.5
76	MP4B	X	-1.91	3.5
77	MP4B	Z	-3.308	3.5
78	MP4B	Mx	-.004	3.5
79	MP2C	X	-1.91	3.5
80	MP2C	Z	-3.308	3.5
81	MP2C	Mx	.002	3.5
82	MP3C	X	-1.91	3.5
83	MP3C	Z	-3.308	3.5
84	MP3C	Mx	.002	3.5
85	MP4A	X	-1.91	3.5
86	MP4A	Z	-3.308	3.5
87	MP4A	Mx	-.004	3.5
88	MP4B	X	-1.91	3.5
89	MP4B	Z	-3.308	3.5
90	MP4B	Mx	.002	3.5



Member Point Loads (BLC 38 : Antenna Wm (330 Deg)) (Continued)

	Member Label	Direction	Magnitude[lb.k-ft]	Location[ft.%]
91	R1	X	-4.203	2
92	R1	Z	-7.279	2
93	R1	Mx	0	2
94	R2	X	-4.203	1
95	R2	Z	-7.279	1
96	R2	Mx	0	1
97	MP1A	X	-5.455	1.5
98	MP1A	Z	-9.449	1.5
99	MP1A	Mx	.003	1.5

Member Point Loads (BLC 77 : Lm1)

	Member Label	Direction	Magnitude[lb.k-ft]	Location[ft.%]
1	M1	Y	-500	0

Member Point Loads (BLC 78 : Lm2)

	Member Label	Direction	Magnitude[lb.k-ft]	Location[ft.%]
1	M1	Y	-500	%50

Member Point Loads (BLC 79 : Lv1)

	Member Label	Direction	Magnitude[lb.k-ft]	Location[ft.%]
1	M1	Y	-250	0

Member Point Loads (BLC 80 : Lv2)

	Member Label	Direction	Magnitude[lb.k-ft]	Location[ft.%]
1	M1	Y	-250	%50

Member Distributed Loads (BLC 40 : Structure Di)

	Member Label	Direction	Start Magnitude[lb/ft.F,ksf]	End Magnitude[lb/ft.F,ksf]	Start Location[ft,...	End Location[ft.%]
1	M1	Y	-2.109	-2.109	0	%100
2	M3	Y	-2.61	-2.61	0	%100
3	M4	Y	-3.653	-3.653	0	%100
4	M5	Y	-2.945	-2.945	0	%100
5	M7	Y	-3.653	-3.653	0	%100
6	M8	Y	-3.653	-3.653	0	%100
7	M30	Y	-1.607	-1.607	0	%100
8	M31	Y	-1.607	-1.607	0	%100
9	M33A	Y	-2.17	-2.17	0	%100
10	MP1A	Y	-.945	-.945	0	%100
11	MP2A	Y	-.945	-.945	0	%100
12	MP3A	Y	-.945	-.945	0	%100
13	MP4A	Y	-.945	-.945	0	%100
14	R1	Y	-.945	-.945	0	%100
15	M52	Y	-1.607	-1.607	0	%100
16	M53	Y	-1.607	-1.607	0	%100
17	M55	Y	-2.17	-2.17	0	%100
18	M73A	Y	-1.607	-1.607	0	%100
19	M74A	Y	-1.607	-1.607	0	%100
20	M76A	Y	-2.17	-2.17	0	%100
21	M81A	Y	-2.17	-2.17	0	%100
22	M80	Y	-2.109	-2.109	0	%100
23	M81B	Y	-2.109	-2.109	0	%100
24	MP1C	Y	-.945	-.945	0	%100
25	MP2C	Y	-.945	-.945	0	%100



Member Distributed Loads (BLC 40 : Structure Di) (Continued)

Member Label	Direction	Start Magnitude[lb/ft.F,ksf]	End Magnitude[lb/ft.F,ksf]	Start Location[ft....]	End Location[ft.%]
26	MP32C	Y	-945	0	%100
27	MP1B	Y	-945	0	%100
28	MP2B	Y	-945	0	%100
29	MP3B	Y	-945	0	%100
30	MP4B	Y	-945	0	%100
31	M81D	Y	-2.61	0	%100
32	M82C	Y	-3.653	0	%100
33	M83D	Y	-3.653	0	%100
34	M84C	Y	-3.653	0	%100
35	M87A	Y	-2.61	0	%100
36	M88A	Y	-3.653	0	%100
37	M89A	Y	-3.653	0	%100
38	M90A	Y	-3.653	0	%100
39	M87	Y	-2.17	0	%100
40	M92A	Y	-2.17	0	%100
41	M95	Y	-1.607	0	%100
42	M96	Y	-1.607	0	%100
43	M97	Y	-1.607	0	%100
44	M98	Y	-1.106	0	%100
45	M99	Y	-1.106	0	%100
46	M100	Y	-1.106	0	%100
47	M101	Y	-1.106	0	%100
48	M102	Y	-1.106	0	%100
49	M103	Y	-1.106	0	%100
50	M104	Y	-1.106	0	%100
51	M105	Y	-1.106	0	%100
52	M106	Y	-1.106	0	%100
53	M107	Y	-1.106	0	%100
54	M108	Y	-1.106	0	%100
55	M109	Y	-1.106	0	%100
56	M110	Y	-1.106	0	%100
57	M111	Y	-1.106	0	%100
58	M112	Y	-1.106	0	%100
59	M113	Y	-1.106	0	%100
60	M114	Y	-1.106	0	%100
61	M118	Y	-777	0	%100
62	M125A	Y	-777	0	%100
63	M126A	Y	-777	0	%100
64	M125B	Y	-1.106	0	%100
65	M126B	Y	-1.106	0	%100
66	M127	Y	-1.106	0	%100
67	M128A	Y	-1.792	0	%100
68	M131	Y	-1.792	0	%100
69	M134	Y	-1.792	0	%100
70	M139A	Y	-2.945	0	%100
71	M148	Y	-2.945	0	%100
72	M147B	Y	-325	0	%100
73	M148B	Y	-325	0	%100
74	M153A	Y	-325	0	%100
75	M154A	Y	-325	0	%100
76	M159	Y	-325	0	%100
77	M160	Y	-325	0	%100
78	MP3C	Y	-945	0	%100
79	R2	Y	-945	0	%100

Member Distributed Loads (BLC 41 : Structure Wo (0 Deg))

Member Label	Direction	Start Magnitude[lb/ft.F,ksf]	End Magnitude[lb/ft.F,ksf]	Start Location[ft....]	End Location[ft.%]
--------------	-----------	------------------------------	----------------------------	------------------------	--------------------



Member Distributed Loads (BLC 41 : Structure Wo (0 Deg)) (Continued)

	Member Label	Direction	Start Magnitude[lb/ft.F,ksf]	End Magnitude[lb/ft.F,ksf]	Start Location[ft....]	End Location[ft.-%]
1	M1	X	0	0	0	%100
2	M1	Z	-11.355	-11.355	0	%100
3	M3	X	0	0	0	%100
4	M3	Z	-.016	-.016	0	%100
5	M4	X	0	0	0	%100
6	M4	Z	-27.253	-27.253	0	%100
7	M5	X	0	0	0	%100
8	M5	Z	-1.363	-1.363	0	%100
9	M7	X	0	0	0	%100
10	M7	Z	-7.662	-7.662	0	%100
11	M8	X	0	0	0	%100
12	M8	Z	-6.014	-6.014	0	%100
13	M30	X	0	0	0	%100
14	M30	Z	-.014	-.014	0	%100
15	M31	X	0	0	0	%100
16	M31	Z	-.014	-.014	0	%100
17	M33A	X	0	0	0	%100
18	M33A	Z	-11.408	-11.408	0	%100
19	MP1A	X	0	0	0	%100
20	MP1A	Z	-5.64	-5.64	0	%100
21	MP2A	X	0	0	0	%100
22	MP2A	Z	-5.64	-5.64	0	%100
23	MP3A	X	0	0	0	%100
24	MP3A	Z	-5.64	-5.64	0	%100
25	MP4A	X	0	0	0	%100
26	MP4A	Z	-5.64	-5.64	0	%100
27	R1	X	0	0	0	%100
28	R1	Z	-5.64	-5.64	0	%100
29	M52	X	0	0	0	%100
30	M52	Z	-8.46	-8.46	0	%100
31	M53	X	0	0	0	%100
32	M53	Z	-8.46	-8.46	0	%100
33	M55	X	0	0	0	%100
34	M55	Z	-3.207	-3.207	0	%100
35	M73A	X	0	0	0	%100
36	M73A	Z	-9.17	-9.17	0	%100
37	M74A	X	0	0	0	%100
38	M74A	Z	-9.17	-9.17	0	%100
39	M76A	X	0	0	0	%100
40	M76A	Z	-2.517	-2.517	0	%100
41	M81A	X	0	0	0	%100
42	M81A	Z	-22.711	-22.711	0	%100
43	M80	X	0	0	0	%100
44	M80	Z	-3.193	-3.193	0	%100
45	M81B	X	0	0	0	%100
46	M81B	Z	-2.506	-2.506	0	%100
47	MP1C	X	0	0	0	%100
48	MP1C	Z	-5.64	-5.64	0	%100
49	MP2C	X	0	0	0	%100
50	MP2C	Z	-5.64	-5.64	0	%100
51	MP32C	X	0	0	0	%100
52	MP32C	Z	-5.64	-5.64	0	%100
53	MP1B	X	0	0	0	%100
54	MP1B	Z	-5.64	-5.64	0	%100
55	MP2B	X	0	0	0	%100
56	MP2B	Z	-5.64	-5.64	0	%100
57	MP3B	X	0	0	0	%100



Member Distributed Loads (BLC 41 : Structure Wo (0 Deg)) (Continued)

Member Label	Direction	Start Magnitude[lb/ft.F,ksfl]	End Magnitude[lb/ft.F,ksfl]	Start Location[ft,...]	End Location[ft, %]
58	MP3B	Z	-5.64	-5.64	0 %100
59	MP4B	X	0	0	0 %100
60	MP4B	Z	-5.64	-5.64	0 %100
61	M81D	X	0	0	0 %100
62	M81D	Z	-9.474	-9.474	0 %100
63	M82C	X	0	0	0 %100
64	M82C	Z	-7.662	-7.662	0 %100
65	M83D	X	0	0	0 %100
66	M83D	Z	-6.014	-6.014	0 %100
67	M84C	X	0	0	0 %100
68	M84C	Z	-27.253	-27.253	0 %100
69	M87A	X	0	0	0 %100
70	M87A	Z	-10.27	-10.27	0 %100
71	M88A	X	0	0	0 %100
72	M88A	Z	-6.014	-6.014	0 %100
73	M89A	X	0	0	0 %100
74	M89A	Z	-27.253	-27.253	0 %100
75	M90A	X	0	0	0 %100
76	M90A	Z	-7.662	-7.662	0 %100
77	M87	X	0	0	0 %100
78	M87	Z	-6.385	-6.385	0 %100
79	M92A	X	0	0	0 %100
80	M92A	Z	-5.012	-5.012	0 %100
81	M95	X	0	0	0 %100
82	M95	Z	-13.626	-13.626	0 %100
83	M96	X	0	0	0 %100
84	M96	Z	-3.831	-3.831	0 %100
85	M97	X	0	0	0 %100
86	M97	Z	-3.007	-3.007	0 %100
87	M98	X	0	0	0 %100
88	M98	Z	-8.224	-8.224	0 %100
89	M99	X	0	0	0 %100
90	M99	Z	-8.224	-8.224	0 %100
91	M100	X	0	0	0 %100
92	M100	Z	-8.224	-8.224	0 %100
93	M101	X	0	0	0 %100
94	M101	Z	-8.224	-8.224	0 %100
95	M102	X	0	0	0 %100
96	M102	Z	-8.224	-8.224	0 %100
97	M103	X	0	0	0 %100
98	M103	Z	-8.224	-8.224	0 %100
99	M104	X	0	0	0 %100
100	M104	Z	-8.224	-8.224	0 %100
101	M105	X	0	0	0 %100
102	M105	Z	-8.224	-8.224	0 %100
103	M106	X	0	0	0 %100
104	M106	Z	-8.224	-8.224	0 %100
105	M107	X	0	0	0 %100
106	M107	Z	-8.224	-8.224	0 %100
107	M108	X	0	0	0 %100
108	M108	Z	-8.224	-8.224	0 %100
109	M109	X	0	0	0 %100
110	M109	Z	-8.224	-8.224	0 %100
111	M110	X	0	0	0 %100
112	M110	Z	-9.089	-9.089	0 %100
113	M111	X	0	0	0 %100
114	M111	Z	-9.089	-9.089	0 %100



Member Distributed Loads (BLC 41 : Structure Wo (0 Deg)) (Continued)

	Member Label	Direction	Start Magnitude[lb/ft.F,ksf]	End Magnitude[lb/ft.F,ksf]	Start Location[ft....	End Location[ft.%,]
115	M112	X	0	0	0	%100
116	M112	Z	-4.781	-4.781	0	%100
117	M113	X	0	0	0	%100
118	M113	Z	-4.781	-4.781	0	%100
119	M114	X	0	0	0	%100
120	M114	Z	-5.115	-5.115	0	%100
121	M118	X	0	0	0	%100
122	M118	Z	-1.456	-1.456	0	%100
123	M125A	X	0	0	0	%100
124	M125A	Z	-1.143	-1.143	0	%100
125	M126A	X	0	0	0	%100
126	M126A	Z	-5.178	-5.178	0	%100
127	M125B	X	0	0	0	%100
128	M125B	Z	-6.404	-6.404	0	%100
129	M126B	X	0	0	0	%100
130	M126B	Z	-1.8	-1.8	0	%100
131	M127	X	0	0	0	%100
132	M127	Z	-1.413	-1.413	0	%100
133	M128A	X	0	0	0	%100
134	M128A	Z	-1.088	-1.088	0	%100
135	M131	X	0	0	0	%100
136	M131	Z	-.306	-.306	0	%100
137	M134	X	0	0	0	%100
138	M134	Z	-.24	-.24	0	%100
139	M139A	X	0	0	0	%100
140	M139A	Z	-.383	-.383	0	%100
141	M148	X	0	0	0	%100
142	M148	Z	-.301	-.301	0	%100
143	M147B	X	0	0	0	%100
144	M147B	Z	-1.279	-1.279	0	%100
145	M148B	X	0	0	0	%100
146	M148B	Z	-1.279	-1.279	0	%100
147	M153A	X	0	0	0	%100
148	M153A	Z	-1.279	-1.279	0	%100
149	M154A	X	0	0	0	%100
150	M154A	Z	-1.279	-1.279	0	%100
151	M159	X	0	0	0	%100
152	M159	Z	-1.279	-1.279	0	%100
153	M160	X	0	0	0	%100
154	M160	Z	-1.279	-1.279	0	%100
155	MP3C	X	0	0	0	%100
156	MP3C	Z	-5.64	-5.64	0	%100
157	R2	X	0	0	0	%100
158	R2	Z	-4.343	-4.343	0	%100

Member Distributed Loads (BLC 42 : Structure Wo (30 Deg))

	Member Label	Direction	Start Magnitude[lb/ft.F,ksf]	End Magnitude[lb/ft.F,ksf]	Start Location[ft....	End Location[ft.%,]
1	M1	X	4.088	4.088	0	%100
2	M1	Z	-7.081	-7.081	0	%100
3	M3	X	1.85	1.85	0	%100
4	M3	Z	-3.204	-3.204	0	%100
5	M4	X	9.812	9.812	0	%100
6	M4	Z	-16.995	-16.995	0	%100
7	M5	X	.491	.491	0	%100
8	M5	Z	-.85	-.85	0	%100
9	M7	X	10.636	10.636	0	%100



Member Distributed Loads (BLC 42 : Structure Wo (30 Deg)) (Continued)

	Member Label	Direction	Start Magnitude[lb/ft.F,ksfl]	End Magnitude[lb/ft.F,ksfl]	Start Location[ft,...]	End Location[ft, %]
10	M7	Z	-18.422	-18.422	0	%100
11	M8	X	.017	.017	0	%100
12	M8	Z	-.029	-.029	0	%100
13	M30	X	1.652	1.652	0	%100
14	M30	Z	-2.861	-2.861	0	%100
15	M31	X	1.652	1.652	0	%100
16	M31	Z	-2.861	-2.861	0	%100
17	M33A	X	4.107	4.107	0	%100
18	M33A	Z	-7.114	-7.114	0	%100
19	MP1A	X	2.925	2.925	0	%100
20	MP1A	Z	-5.066	-5.066	0	%100
21	MP2A	X	2.925	2.925	0	%100
22	MP2A	Z	-5.066	-5.066	0	%100
23	MP3A	X	2.925	2.925	0	%100
24	MP3A	Z	-5.066	-5.066	0	%100
25	MP4A	X	2.925	2.925	0	%100
26	MP4A	Z	-5.066	-5.066	0	%100
27	R1	X	2.9	2.9	0	%100
28	R1	Z	-5.023	-5.023	0	%100
29	M52	X	1.296	1.296	0	%100
30	M52	Z	-2.245	-2.245	0	%100
31	M53	X	1.296	1.296	0	%100
32	M53	Z	-2.245	-2.245	0	%100
33	M55	X	4.452	4.452	0	%100
34	M55	Z	-7.711	-7.711	0	%100
35	M73A	X	5.874	5.874	0	%100
36	M73A	Z	-10.174	-10.174	0	%100
37	M74A	X	5.874	5.874	0	%100
38	M74A	Z	-10.174	-10.174	0	%100
39	M76A	X	.007	.007	0	%100
40	M76A	Z	-.012	-.012	0	%100
41	M81A	X	8.177	8.177	0	%100
42	M81A	Z	-14.162	-14.162	0	%100
43	M80	X	4.432	4.432	0	%100
44	M80	Z	-7.676	-7.676	0	%100
45	M81B	X	.007	.007	0	%100
46	M81B	Z	-.012	-.012	0	%100
47	MP1C	X	2.925	2.925	0	%100
48	MP1C	Z	-5.066	-5.066	0	%100
49	MP2C	X	2.925	2.925	0	%100
50	MP2C	Z	-5.066	-5.066	0	%100
51	MP32C	X	2.925	2.925	0	%100
52	MP32C	Z	-5.066	-5.066	0	%100
53	MP1B	X	2.925	2.925	0	%100
54	MP1B	Z	-5.066	-5.066	0	%100
55	MP2B	X	2.925	2.925	0	%100
56	MP2B	Z	-5.066	-5.066	0	%100
57	MP3B	X	2.925	2.925	0	%100
58	MP3B	Z	-5.066	-5.066	0	%100
59	MP4B	X	2.925	2.925	0	%100
60	MP4B	Z	-5.066	-5.066	0	%100
61	M81D	X	1.452	1.452	0	%100
62	M81D	Z	-2.515	-2.515	0	%100
63	M82C	X	10.636	10.636	0	%100
64	M82C	Z	-18.422	-18.422	0	%100
65	M83D	X	.017	.017	0	%100
66	M83D	Z	-.029	-.029	0	%100



Member Distributed Loads (BLC 42 : Structure Wo (30 Deg)) (Continued)

Member Label	Direction	Start Magnitude[lb/ft.F,ksf]	End Magnitude[lb/ft.F,ksf]	Start Location[ft....]	End Location[ft.%,]
67	M84C	X	9.812	9.812	0 %100
68	M84C	Z	-16.995	-16.995	0 %100
69	M87A	X	6.579	6.579	0 %100
70	M87A	Z	-11.395	-11.395	0 %100
71	M88A	X	.017	.017	0 %100
72	M88A	Z	-.029	-.029	0 %100
73	M89A	X	9.812	9.812	0 %100
74	M89A	Z	-16.995	-16.995	0 %100
75	M90A	X	10.636	10.636	0 %100
76	M90A	Z	-18.422	-18.422	0 %100
77	M87	X	8.863	8.863	0 %100
78	M87	Z	-15.352	-15.352	0 %100
79	M92A	X	.014	.014	0 %100
80	M92A	Z	-.024	-.024	0 %100
81	M95	X	4.906	4.906	0 %100
82	M95	Z	-8.497	-8.497	0 %100
83	M96	X	5.318	5.318	0 %100
84	M96	Z	-9.211	-9.211	0 %100
85	M97	X	.008	.008	0 %100
86	M97	Z	-.014	-.014	0 %100
87	M98	X	4.112	4.112	0 %100
88	M98	Z	-7.122	-7.122	0 %100
89	M99	X	4.112	4.112	0 %100
90	M99	Z	-7.122	-7.122	0 %100
91	M100	X	4.112	4.112	0 %100
92	M100	Z	-7.122	-7.122	0 %100
93	M101	X	4.112	4.112	0 %100
94	M101	Z	-7.122	-7.122	0 %100
95	M102	X	4.112	4.112	0 %100
96	M102	Z	-7.122	-7.122	0 %100
97	M103	X	4.112	4.112	0 %100
98	M103	Z	-7.122	-7.122	0 %100
99	M104	X	4.112	4.112	0 %100
100	M104	Z	-7.122	-7.122	0 %100
101	M105	X	4.112	4.112	0 %100
102	M105	Z	-7.122	-7.122	0 %100
103	M106	X	4.112	4.112	0 %100
104	M106	Z	-7.122	-7.122	0 %100
105	M107	X	4.112	4.112	0 %100
106	M107	Z	-7.122	-7.122	0 %100
107	M108	X	4.112	4.112	0 %100
108	M108	Z	-7.122	-7.122	0 %100
109	M109	X	4.112	4.112	0 %100
110	M109	Z	-7.122	-7.122	0 %100
111	M110	X	3.771	3.771	0 %100
112	M110	Z	-6.531	-6.531	0 %100
113	M111	X	3.771	3.771	0 %100
114	M111	Z	-6.531	-6.531	0 %100
115	M112	X	1.784	1.784	0 %100
116	M112	Z	-3.089	-3.089	0 %100
117	M113	X	1.784	1.784	0 %100
118	M113	Z	-3.089	-3.089	0 %100
119	M114	X	3.938	3.938	0 %100
120	M114	Z	-6.82	-6.82	0 %100
121	M118	X	2.021	2.021	0 %100
122	M118	Z	-3.5	-3.5	0 %100
123	M125A	X	.003	.003	0 %100



Member Distributed Loads (BLC 42 : Structure Wo (30 Deg)) (Continued)

	Member Label	Direction	Start Magnitude[lb/ft.F,ksf]	End Magnitude[lb/ft.F,ksf]	Start Location[ft,...]	End Location[ft, %]
124	M125A	Z	-.005	-.005	0	%100
125	M126A	X	1.864	1.864	0	%100
126	M126A	Z	-3.229	-3.229	0	%100
127	M125B	X	2.306	2.306	0	%100
128	M125B	Z	-3.993	-3.993	0	%100
129	M126B	X	2.499	2.499	0	%100
130	M126B	Z	-4.329	-4.329	0	%100
131	M127	X	.004	.004	0	%100
132	M127	Z	-.007	-.007	0	%100
133	M128A	X	.392	.392	0	%100
134	M128A	Z	-.678	-.678	0	%100
135	M131	X	.425	.425	0	%100
136	M131	Z	-.735	-.735	0	%100
137	M134	X	.000663	.000663	0	%100
138	M134	Z	-.001	-.001	0	%100
139	M139A	X	.532	.532	0	%100
140	M139A	Z	-.921	-.921	0	%100
141	M148	X	.000831	.000831	0	%100
142	M148	Z	-.001	-.001	0	%100
143	M147B	X	.639	.639	0	%100
144	M147B	Z	-1.107	-1.107	0	%100
145	M148B	X	.639	.639	0	%100
146	M148B	Z	-1.107	-1.107	0	%100
147	M153A	X	.639	.639	0	%100
148	M153A	Z	-1.107	-1.107	0	%100
149	M154A	X	.639	.639	0	%100
150	M154A	Z	-1.107	-1.107	0	%100
151	M159	X	.639	.639	0	%100
152	M159	Z	-1.107	-1.107	0	%100
153	M160	X	.639	.639	0	%100
154	M160	Z	-1.107	-1.107	0	%100
155	MP3C	X	2.925	2.925	0	%100
156	MP3C	Z	-5.066	-5.066	0	%100
157	R2	X	2.228	2.228	0	%100
158	R2	Z	-3.859	-3.859	0	%100

Member Distributed Loads (BLC 43 : Structure Wo (60 Deg))

	Member Label	Direction	Start Magnitude[lb/ft.F,ksf]	End Magnitude[lb/ft.F,ksf]	Start Location[ft,...]	End Location[ft, %]
1	M1	X	2.17	2.17	0	%100
2	M1	Z	-1.253	-1.253	0	%100
3	M3	X	8.894	8.894	0	%100
4	M3	Z	-5.135	-5.135	0	%100
5	M4	X	5.208	5.208	0	%100
6	M4	Z	-3.007	-3.007	0	%100
7	M5	X	.26	.26	0	%100
8	M5	Z	-.15	-.15	0	%100
9	M7	X	23.602	23.602	0	%100
10	M7	Z	-13.626	-13.626	0	%100
11	M8	X	6.636	6.636	0	%100
12	M8	Z	-3.831	-3.831	0	%100
13	M30	X	7.942	7.942	0	%100
14	M30	Z	-4.585	-4.585	0	%100
15	M31	X	7.942	7.942	0	%100
16	M31	Z	-4.585	-4.585	0	%100
17	M33A	X	2.18	2.18	0	%100
18	M33A	Z	-1.259	-1.259	0	%100



Member Distributed Loads (BLC 43 : Structure Wo (60 Deg)) (Continued)

	Member Label	Direction	Start Magnitude[lb/ft.F,ksf]	End Magnitude[lb/ft.F,ksf]	Start Location[ft....]	End Location[ft.-%]
19	MP1A	X	5.43	5.43	0	%100
20	MP1A	Z	-3.135	-3.135	0	%100
21	MP2A	X	5.43	5.43	0	%100
22	MP2A	Z	-3.135	-3.135	0	%100
23	MP3A	X	5.43	5.43	0	%100
24	MP3A	Z	-3.135	-3.135	0	%100
25	MP4A	X	5.43	5.43	0	%100
26	MP4A	Z	-3.135	-3.135	0	%100
27	R1	X	5.299	5.299	0	%100
28	R1	Z	-3.06	-3.06	0	%100
29	M52	X	.012	.012	0	%100
30	M52	Z	-.007	-.007	0	%100
31	M53	X	.012	.012	0	%100
32	M53	Z	-.007	-.007	0	%100
33	M55	X	9.879	9.879	0	%100
34	M55	Z	-5.704	-5.704	0	%100
35	M73A	X	7.326	7.326	0	%100
36	M73A	Z	-4.23	-4.23	0	%100
37	M74A	X	7.326	7.326	0	%100
38	M74A	Z	-4.23	-4.23	0	%100
39	M76A	X	2.778	2.778	0	%100
40	M76A	Z	-1.604	-1.604	0	%100
41	M81A	X	4.34	4.34	0	%100
42	M81A	Z	-2.506	-2.506	0	%100
43	M80	X	9.834	9.834	0	%100
44	M80	Z	-5.678	-5.678	0	%100
45	M81B	X	2.765	2.765	0	%100
46	M81B	Z	-1.596	-1.596	0	%100
47	MP1C	X	5.43	5.43	0	%100
48	MP1C	Z	-3.135	-3.135	0	%100
49	MP2C	X	5.43	5.43	0	%100
50	MP2C	Z	-3.135	-3.135	0	%100
51	MP32C	X	5.43	5.43	0	%100
52	MP32C	Z	-3.135	-3.135	0	%100
53	MP1B	X	5.43	5.43	0	%100
54	MP1B	Z	-3.135	-3.135	0	%100
55	MP2B	X	5.43	5.43	0	%100
56	MP2B	Z	-3.135	-3.135	0	%100
57	MP3B	X	5.43	5.43	0	%100
58	MP3B	Z	-3.135	-3.135	0	%100
59	MP4B	X	5.43	5.43	0	%100
60	MP4B	Z	-3.135	-3.135	0	%100
61	M81D	X	.014	.014	0	%100
62	M81D	Z	-.008	-.008	0	%100
63	M82C	X	23.602	23.602	0	%100
64	M82C	Z	-13.626	-13.626	0	%100
65	M83D	X	6.636	6.636	0	%100
66	M83D	Z	-3.831	-3.831	0	%100
67	M84C	X	5.208	5.208	0	%100
68	M84C	Z	-3.007	-3.007	0	%100
69	M87A	X	8.205	8.205	0	%100
70	M87A	Z	-4.737	-4.737	0	%100
71	M88A	X	6.636	6.636	0	%100
72	M88A	Z	-3.831	-3.831	0	%100
73	M89A	X	5.208	5.208	0	%100
74	M89A	Z	-3.007	-3.007	0	%100
75	M90A	X	23.602	23.602	0	%100



Member Distributed Loads (BLC 43 : Structure Wo (60 Deg)) (Continued)

Member Label	Direction	Start Magnitude[lb/ft.F,ksfl]	End Magnitude[lb/ft.F,ksfl]	Start Location[ft,...]	End Location[ft, %]
76	M90A	Z	-13.626	-13.626	0 %100
77	M87	X	19.668	19.668	0 %100
78	M87	Z	-11.355	-11.355	0 %100
79	M92A	X	5.53	5.53	0 %100
80	M92A	Z	-3.193	-3.193	0 %100
81	M95	X	2.604	2.604	0 %100
82	M95	Z	-1.503	-1.503	0 %100
83	M96	X	11.801	11.801	0 %100
84	M96	Z	-6.813	-6.813	0 %100
85	M97	X	3.318	3.318	0 %100
86	M97	Z	-1.916	-1.916	0 %100
87	M98	X	7.122	7.122	0 %100
88	M98	Z	-4.112	-4.112	0 %100
89	M99	X	7.122	7.122	0 %100
90	M99	Z	-4.112	-4.112	0 %100
91	M100	X	7.122	7.122	0 %100
92	M100	Z	-4.112	-4.112	0 %100
93	M101	X	7.122	7.122	0 %100
94	M101	Z	-4.112	-4.112	0 %100
95	M102	X	7.122	7.122	0 %100
96	M102	Z	-4.112	-4.112	0 %100
97	M103	X	7.122	7.122	0 %100
98	M103	Z	-4.112	-4.112	0 %100
99	M104	X	7.122	7.122	0 %100
100	M104	Z	-4.112	-4.112	0 %100
101	M105	X	7.122	7.122	0 %100
102	M105	Z	-4.112	-4.112	0 %100
103	M106	X	7.122	7.122	0 %100
104	M106	Z	-4.112	-4.112	0 %100
105	M107	X	7.122	7.122	0 %100
106	M107	Z	-4.112	-4.112	0 %100
107	M108	X	7.122	7.122	0 %100
108	M108	Z	-4.112	-4.112	0 %100
109	M109	X	7.122	7.122	0 %100
110	M109	Z	-4.112	-4.112	0 %100
111	M110	X	4.14	4.14	0 %100
112	M110	Z	-2.39	-2.39	0 %100
113	M111	X	4.14	4.14	0 %100
114	M111	Z	-2.39	-2.39	0 %100
115	M112	X	4.43	4.43	0 %100
116	M112	Z	-2.557	-2.557	0 %100
117	M113	X	4.43	4.43	0 %100
118	M113	Z	-2.557	-2.557	0 %100
119	M114	X	7.871	7.871	0 %100
120	M114	Z	-4.544	-4.544	0 %100
121	M118	X	4.484	4.484	0 %100
122	M118	Z	-2.589	-2.589	0 %100
123	M125A	X	1.261	1.261	0 %100
124	M125A	Z	-.728	-.728	0 %100
125	M126A	X	.99	.99	0 %100
126	M126A	Z	-.571	-.571	0 %100
127	M125B	X	1.224	1.224	0 %100
128	M125B	Z	-.707	-.707	0 %100
129	M126B	X	5.546	5.546	0 %100
130	M126B	Z	-3.202	-3.202	0 %100
131	M127	X	1.559	1.559	0 %100
132	M127	Z	-.9	-.9	0 %100



Member Distributed Loads (BLC 43 : Structure Wo (60 Deg)) (Continued)

	Member Label	Direction	Start Magnitude[lb/ft.F,ksf]	End Magnitude[lb/ft.F,ksf]	Start Location[ft....]	End Location[ft.-%]
133	M128A	X	.208	.208	0	%100
134	M128A	Z	-.12	-.12	0	%100
135	M131	X	.942	.942	0	%100
136	M131	Z	-.544	-.544	0	%100
137	M134	X	.265	.265	0	%100
138	M134	Z	-.153	-.153	0	%100
139	M139A	X	1.18	1.18	0	%100
140	M139A	Z	-.681	-.681	0	%100
141	M148	X	.332	.332	0	%100
142	M148	Z	-.192	-.192	0	%100
143	M147B	X	.593	.593	0	%100
144	M147B	Z	-.343	-.343	0	%100
145	M148B	X	.593	.593	0	%100
146	M148B	Z	-.343	-.343	0	%100
147	M153A	X	.593	.593	0	%100
148	M153A	Z	-.343	-.343	0	%100
149	M154A	X	.593	.593	0	%100
150	M154A	Z	-.343	-.343	0	%100
151	M159	X	.593	.593	0	%100
152	M159	Z	-.343	-.343	0	%100
153	M160	X	.593	.593	0	%100
154	M160	Z	-.343	-.343	0	%100
155	MP3C	X	5.43	5.43	0	%100
156	MP3C	Z	-3.135	-3.135	0	%100
157	R2	X	4.054	4.054	0	%100
158	R2	Z	-2.341	-2.341	0	%100

Member Distributed Loads (BLC 44 : Structure Wo (90 Deg))

	Member Label	Direction	Start Magnitude[lb/ft.F,ksf]	End Magnitude[lb/ft.F,ksf]	Start Location[ft....]	End Location[ft.-%]
1	M1	X	.014	.014	0	%100
2	M1	Z	0	0	0	%100
3	M3	X	13.158	13.158	0	%100
4	M3	Z	0	0	0	%100
5	M4	X	.033	.033	0	%100
6	M4	Z	0	0	0	%100
7	M5	X	.002	.002	0	%100
8	M5	Z	0	0	0	%100
9	M7	X	19.624	19.624	0	%100
10	M7	Z	0	0	0	%100
11	M8	X	21.272	21.272	0	%100
12	M8	Z	0	0	0	%100
13	M30	X	11.748	11.748	0	%100
14	M30	Z	0	0	0	%100
15	M31	X	11.748	11.748	0	%100
16	M31	Z	0	0	0	%100
17	M33A	X	.014	.014	0	%100
18	M33A	Z	0	0	0	%100
19	MP1A	X	6.48	6.48	0	%100
20	MP1A	Z	0	0	0	%100
21	MP2A	X	6.48	6.48	0	%100
22	MP2A	Z	0	0	0	%100
23	MP3A	X	6.48	6.48	0	%100
24	MP3A	Z	0	0	0	%100
25	MP4A	X	6.48	6.48	0	%100
26	MP4A	Z	0	0	0	%100
27	R1	X	6.279	6.279	0	%100



Member Distributed Loads (BLC 44 : Structure Wo (90 Deg)) (Continued)

	Member Label	Direction	Start Magnitude[lb/ft.F,ksfl]	End Magnitude[lb/ft.F,ksfl]	Start Location[ft....]	End Location[ft.-%]
28	R1	Z	0	0	0	%100
29	M52	X	3.303	3.303	0	%100
30	M52	Z	0	0	0	%100
31	M53	X	3.303	3.303	0	%100
32	M53	Z	0	0	0	%100
33	M55	X	8.214	8.214	0	%100
34	M55	Z	0	0	0	%100
35	M73A	X	2.593	2.593	0	%100
36	M73A	Z	0	0	0	%100
37	M74A	X	2.593	2.593	0	%100
38	M74A	Z	0	0	0	%100
39	M76A	X	8.904	8.904	0	%100
40	M76A	Z	0	0	0	%100
41	M81A	X	.028	.028	0	%100
42	M81A	Z	0	0	0	%100
43	M80	X	8.177	8.177	0	%100
44	M80	Z	0	0	0	%100
45	M81B	X	8.863	8.863	0	%100
46	M81B	Z	0	0	0	%100
47	MP1C	X	6.48	6.48	0	%100
48	MP1C	Z	0	0	0	%100
49	MP2C	X	6.48	6.48	0	%100
50	MP2C	Z	0	0	0	%100
51	MP32C	X	6.48	6.48	0	%100
52	MP32C	Z	0	0	0	%100
53	MP1B	X	6.48	6.48	0	%100
54	MP1B	Z	0	0	0	%100
55	MP2B	X	6.48	6.48	0	%100
56	MP2B	Z	0	0	0	%100
57	MP3B	X	6.48	6.48	0	%100
58	MP3B	Z	0	0	0	%100
59	MP4B	X	6.48	6.48	0	%100
60	MP4B	Z	0	0	0	%100
61	M81D	X	3.699	3.699	0	%100
62	M81D	Z	0	0	0	%100
63	M82C	X	19.624	19.624	0	%100
64	M82C	Z	0	0	0	%100
65	M83D	X	21.272	21.272	0	%100
66	M83D	Z	0	0	0	%100
67	M84C	X	.033	.033	0	%100
68	M84C	Z	0	0	0	%100
69	M87A	X	2.904	2.904	0	%100
70	M87A	Z	0	0	0	%100
71	M88A	X	21.272	21.272	0	%100
72	M88A	Z	0	0	0	%100
73	M89A	X	.033	.033	0	%100
74	M89A	Z	0	0	0	%100
75	M90A	X	19.624	19.624	0	%100
76	M90A	Z	0	0	0	%100
77	M87	X	16.353	16.353	0	%100
78	M87	Z	0	0	0	%100
79	M92A	X	17.727	17.727	0	%100
80	M92A	Z	0	0	0	%100
81	M95	X	.017	.017	0	%100
82	M95	Z	0	0	0	%100
83	M96	X	9.812	9.812	0	%100
84	M96	Z	0	0	0	%100



Member Distributed Loads (BLC 44 : Structure Wo (90 Deg)) (Continued)

Member Label	Direction	Start Magnitude[lb/ft.F,ksf]	End Magnitude[lb/ft.F,ksf]	Start Location[ft....]	End Location[ft.-%]
85	M97	X	10.636	10.636	0 %100
86	M97	Z	0	0	0 %100
87	M98	X	8.224	8.224	0 %100
88	M98	Z	0	0	0 %100
89	M99	X	8.224	8.224	0 %100
90	M99	Z	0	0	0 %100
91	M100	X	8.224	8.224	0 %100
92	M100	Z	0	0	0 %100
93	M101	X	8.224	8.224	0 %100
94	M101	Z	0	0	0 %100
95	M102	X	8.224	8.224	0 %100
96	M102	Z	0	0	0 %100
97	M103	X	8.224	8.224	0 %100
98	M103	Z	0	0	0 %100
99	M104	X	8.224	8.224	0 %100
100	M104	Z	0	0	0 %100
101	M105	X	8.224	8.224	0 %100
102	M105	Z	0	0	0 %100
103	M106	X	8.224	8.224	0 %100
104	M106	Z	0	0	0 %100
105	M107	X	8.224	8.224	0 %100
106	M107	Z	0	0	0 %100
107	M108	X	8.224	8.224	0 %100
108	M108	Z	0	0	0 %100
109	M109	X	8.224	8.224	0 %100
110	M109	Z	0	0	0 %100
111	M110	X	3.567	3.567	0 %100
112	M110	Z	0	0	0 %100
113	M111	X	3.567	3.567	0 %100
114	M111	Z	0	0	0 %100
115	M112	X	7.875	7.875	0 %100
116	M112	Z	0	0	0 %100
117	M113	X	7.875	7.875	0 %100
118	M113	Z	0	0	0 %100
119	M114	X	7.541	7.541	0 %100
120	M114	Z	0	0	0 %100
121	M118	X	3.729	3.729	0 %100
122	M118	Z	0	0	0 %100
123	M125A	X	4.042	4.042	0 %100
124	M125A	Z	0	0	0 %100
125	M126A	X	.006	.006	0 %100
126	M126A	Z	0	0	0 %100
127	M125B	X	.008	.008	0 %100
128	M125B	Z	0	0	0 %100
129	M126B	X	4.611	4.611	0 %100
130	M126B	Z	0	0	0 %100
131	M127	X	4.999	4.999	0 %100
132	M127	Z	0	0	0 %100
133	M128A	X	.001	.001	0 %100
134	M128A	Z	0	0	0 %100
135	M131	X	.783	.783	0 %100
136	M131	Z	0	0	0 %100
137	M134	X	.849	.849	0 %100
138	M134	Z	0	0	0 %100
139	M139A	X	.981	.981	0 %100
140	M139A	Z	0	0	0 %100
141	M148	X	1.064	1.064	0 %100



Member Distributed Loads (BLC 44 : Structure Wo (90 Deg)) (Continued)

	Member Label	Direction	Start Magnitude[lb/ft.F,ksf]	End Magnitude[lb/ft.F,ksf]	Start Location[ft,...]	End Location[ft, %]
142	M148	Z	0	0	0	%100
143	M147B	X	.092	.092	0	%100
144	M147B	Z	0	0	0	%100
145	M148B	X	.092	.092	0	%100
146	M148B	Z	0	0	0	%100
147	M153A	X	.092	.092	0	%100
148	M153A	Z	0	0	0	%100
149	M154A	X	.092	.092	0	%100
150	M154A	Z	0	0	0	%100
151	M159	X	.092	.092	0	%100
152	M159	Z	0	0	0	%100
153	M160	X	.092	.092	0	%100
154	M160	Z	0	0	0	%100
155	MP3C	X	6.48	6.48	0	%100
156	MP3C	Z	0	0	0	%100
157	R2	X	4.794	4.794	0	%100
158	R2	Z	0	0	0	%100

Member Distributed Loads (BLC 45 : Structure Wo (120 Deg))

	Member Label	Direction	Start Magnitude[lb/ft.F,ksf]	End Magnitude[lb/ft.F,ksf]	Start Location[ft,...]	End Location[ft, %]
1	M1	X	2.765	2.765	0	%100
2	M1	Z	1.596	1.596	0	%100
3	M3	X	8.205	8.205	0	%100
4	M3	Z	4.737	4.737	0	%100
5	M4	X	6.636	6.636	0	%100
6	M4	Z	3.831	3.831	0	%100
7	M5	X	.332	.332	0	%100
8	M5	Z	.192	.192	0	%100
9	M7	X	5.208	5.208	0	%100
10	M7	Z	3.007	3.007	0	%100
11	M8	X	23.602	23.602	0	%100
12	M8	Z	13.626	13.626	0	%100
13	M30	X	7.326	7.326	0	%100
14	M30	Z	4.23	4.23	0	%100
15	M31	X	7.326	7.326	0	%100
16	M31	Z	4.23	4.23	0	%100
17	M33A	X	2.778	2.778	0	%100
18	M33A	Z	1.604	1.604	0	%100
19	MP1A	X	5.43	5.43	0	%100
20	MP1A	Z	3.135	3.135	0	%100
21	MP2A	X	5.43	5.43	0	%100
22	MP2A	Z	3.135	3.135	0	%100
23	MP3A	X	5.43	5.43	0	%100
24	MP3A	Z	3.135	3.135	0	%100
25	MP4A	X	5.43	5.43	0	%100
26	MP4A	Z	3.135	3.135	0	%100
27	R1	X	5.299	5.299	0	%100
28	R1	Z	3.06	3.06	0	%100
29	M52	X	7.942	7.942	0	%100
30	M52	Z	4.585	4.585	0	%100
31	M53	X	7.942	7.942	0	%100
32	M53	Z	4.585	4.585	0	%100
33	M55	X	2.18	2.18	0	%100
34	M55	Z	1.259	1.259	0	%100
35	M73A	X	.012	.012	0	%100
36	M73A	Z	.007	.007	0	%100



Member Distributed Loads (BLC 45 : Structure Wo (120 Deg)) (Continued)

	Member Label	Direction	Start Magnitude[lb/ft.F,ksf]	End Magnitude[lb/ft.F,ksf]	Start Location[ft....]	End Location[ft.-%]
37	M74A	X	.012	.012	0	%100
38	M74A	Z	.007	.007	0	%100
39	M76A	X	9.879	9.879	0	%100
40	M76A	Z	5.704	5.704	0	%100
41	M81A	X	5.53	5.53	0	%100
42	M81A	Z	3.193	3.193	0	%100
43	M80	X	2.17	2.17	0	%100
44	M80	Z	1.253	1.253	0	%100
45	M81B	X	9.834	9.834	0	%100
46	M81B	Z	5.678	5.678	0	%100
47	MP1C	X	5.43	5.43	0	%100
48	MP1C	Z	3.135	3.135	0	%100
49	MP2C	X	5.43	5.43	0	%100
50	MP2C	Z	3.135	3.135	0	%100
51	MP32C	X	5.43	5.43	0	%100
52	MP32C	Z	3.135	3.135	0	%100
53	MP1B	X	5.43	5.43	0	%100
54	MP1B	Z	3.135	3.135	0	%100
55	MP2B	X	5.43	5.43	0	%100
56	MP2B	Z	3.135	3.135	0	%100
57	MP3B	X	5.43	5.43	0	%100
58	MP3B	Z	3.135	3.135	0	%100
59	MP4B	X	5.43	5.43	0	%100
60	MP4B	Z	3.135	3.135	0	%100
61	M81D	X	8.894	8.894	0	%100
62	M81D	Z	5.135	5.135	0	%100
63	M82C	X	5.208	5.208	0	%100
64	M82C	Z	3.007	3.007	0	%100
65	M83D	X	23.602	23.602	0	%100
66	M83D	Z	13.626	13.626	0	%100
67	M84C	X	6.636	6.636	0	%100
68	M84C	Z	3.831	3.831	0	%100
69	M87A	X	.014	.014	0	%100
70	M87A	Z	.008	.008	0	%100
71	M88A	X	23.602	23.602	0	%100
72	M88A	Z	13.626	13.626	0	%100
73	M89A	X	6.636	6.636	0	%100
74	M89A	Z	3.831	3.831	0	%100
75	M90A	X	5.208	5.208	0	%100
76	M90A	Z	3.007	3.007	0	%100
77	M87	X	4.34	4.34	0	%100
78	M87	Z	2.506	2.506	0	%100
79	M92A	X	19.668	19.668	0	%100
80	M92A	Z	11.355	11.355	0	%100
81	M95	X	3.318	3.318	0	%100
82	M95	Z	1.916	1.916	0	%100
83	M96	X	2.604	2.604	0	%100
84	M96	Z	1.503	1.503	0	%100
85	M97	X	11.801	11.801	0	%100
86	M97	Z	6.813	6.813	0	%100
87	M98	X	7.122	7.122	0	%100
88	M98	Z	4.112	4.112	0	%100
89	M99	X	7.122	7.122	0	%100
90	M99	Z	4.112	4.112	0	%100
91	M100	X	7.122	7.122	0	%100
92	M100	Z	4.112	4.112	0	%100
93	M101	X	7.122	7.122	0	%100



Member Distributed Loads (BLC 45 : Structure Wo (120 Deg)) (Continued)

	Member Label	Direction	Start Magnitude[lb/ft.F,ksfl]	End Magnitude[lb/ft.F,ksfl]	Start Location[ft....]	End Location[ft.-%]
94	M101	Z	4.112	4.112	0	%100
95	M102	X	7.122	7.122	0	%100
96	M102	Z	4.112	4.112	0	%100
97	M103	X	7.122	7.122	0	%100
98	M103	Z	4.112	4.112	0	%100
99	M104	X	7.122	7.122	0	%100
100	M104	Z	4.112	4.112	0	%100
101	M105	X	7.122	7.122	0	%100
102	M105	Z	4.112	4.112	0	%100
103	M106	X	7.122	7.122	0	%100
104	M106	Z	4.112	4.112	0	%100
105	M107	X	7.122	7.122	0	%100
106	M107	Z	4.112	4.112	0	%100
107	M108	X	7.122	7.122	0	%100
108	M108	Z	4.112	4.112	0	%100
109	M109	X	7.122	7.122	0	%100
110	M109	Z	4.112	4.112	0	%100
111	M110	X	4.43	4.43	0	%100
112	M110	Z	2.557	2.557	0	%100
113	M111	X	4.43	4.43	0	%100
114	M111	Z	2.557	2.557	0	%100
115	M112	X	7.871	7.871	0	%100
116	M112	Z	4.544	4.544	0	%100
117	M113	X	7.871	7.871	0	%100
118	M113	Z	4.544	4.544	0	%100
119	M114	X	4.14	4.14	0	%100
120	M114	Z	2.39	2.39	0	%100
121	M118	X	.99	.99	0	%100
122	M118	Z	.571	.571	0	%100
123	M125A	X	4.484	4.484	0	%100
124	M125A	Z	2.589	2.589	0	%100
125	M126A	X	1.261	1.261	0	%100
126	M126A	Z	.728	.728	0	%100
127	M125B	X	1.559	1.559	0	%100
128	M125B	Z	.9	.9	0	%100
129	M126B	X	1.224	1.224	0	%100
130	M126B	Z	.707	.707	0	%100
131	M127	X	5.546	5.546	0	%100
132	M127	Z	3.202	3.202	0	%100
133	M128A	X	.265	.265	0	%100
134	M128A	Z	.153	.153	0	%100
135	M131	X	.208	.208	0	%100
136	M131	Z	.12	.12	0	%100
137	M134	X	.942	.942	0	%100
138	M134	Z	.544	.544	0	%100
139	M139A	X	.26	.26	0	%100
140	M139A	Z	.15	.15	0	%100
141	M148	X	1.18	1.18	0	%100
142	M148	Z	.681	.681	0	%100
143	M147B	X	.08	.08	0	%100
144	M147B	Z	.046	.046	0	%100
145	M148B	X	.08	.08	0	%100
146	M148B	Z	.046	.046	0	%100
147	M153A	X	.08	.08	0	%100
148	M153A	Z	.046	.046	0	%100
149	M154A	X	.08	.08	0	%100
150	M154A	Z	.046	.046	0	%100



Member Distributed Loads (BLC 45 : Structure Wo (120 Deg)) (Continued)

	Member Label	Direction	Start Magnitude[lb/ft.F,ksf]	End Magnitude[lb/ft.F,ksf]	Start Location[ft,...]	End Location[ft, %]
151	M159	X	.08	.08	0	%100
152	M159	Z	.046	.046	0	%100
153	M160	X	.08	.08	0	%100
154	M160	Z	.046	.046	0	%100
155	MP3C	X	5.43	5.43	0	%100
156	MP3C	Z	3.135	3.135	0	%100
157	R2	X	4.054	4.054	0	%100
158	R2	Z	2.341	2.341	0	%100

Member Distributed Loads (BLC 46 : Structure Wo (150 Deg))

	Member Label	Direction	Start Magnitude[lb/ft.F,ksf]	End Magnitude[lb/ft.F,ksf]	Start Location[ft,...]	End Location[ft, %]
1	M1	X	4.432	4.432	0	%100
2	M1	Z	7.676	7.676	0	%100
3	M3	X	1.452	1.452	0	%100
4	M3	Z	2.515	2.515	0	%100
5	M4	X	10.636	10.636	0	%100
6	M4	Z	18.422	18.422	0	%100
7	M5	X	.532	.532	0	%100
8	M5	Z	.921	.921	0	%100
9	M7	X	.017	.017	0	%100
10	M7	Z	.029	.029	0	%100
11	M8	X	9.812	9.812	0	%100
12	M8	Z	16.995	16.995	0	%100
13	M30	X	1.296	1.296	0	%100
14	M30	Z	2.245	2.245	0	%100
15	M31	X	1.296	1.296	0	%100
16	M31	Z	2.245	2.245	0	%100
17	M33A	X	4.452	4.452	0	%100
18	M33A	Z	7.711	7.711	0	%100
19	MP1A	X	2.925	2.925	0	%100
20	MP1A	Z	5.066	5.066	0	%100
21	MP2A	X	2.925	2.925	0	%100
22	MP2A	Z	5.066	5.066	0	%100
23	MP3A	X	2.925	2.925	0	%100
24	MP3A	Z	5.066	5.066	0	%100
25	MP4A	X	2.925	2.925	0	%100
26	MP4A	Z	5.066	5.066	0	%100
27	R1	X	2.9	2.9	0	%100
28	R1	Z	5.023	5.023	0	%100
29	M52	X	5.874	5.874	0	%100
30	M52	Z	10.174	10.174	0	%100
31	M53	X	5.874	5.874	0	%100
32	M53	Z	10.174	10.174	0	%100
33	M55	X	.007	.007	0	%100
34	M55	Z	.012	.012	0	%100
35	M73A	X	1.652	1.652	0	%100
36	M73A	Z	2.861	2.861	0	%100
37	M74A	X	1.652	1.652	0	%100
38	M74A	Z	2.861	2.861	0	%100
39	M76A	X	4.107	4.107	0	%100
40	M76A	Z	7.114	7.114	0	%100
41	M81A	X	8.863	8.863	0	%100
42	M81A	Z	15.352	15.352	0	%100
43	M80	X	.007	.007	0	%100
44	M80	Z	.012	.012	0	%100
45	M81B	X	4.088	4.088	0	%100



Member Distributed Loads (BLC 46 : Structure Wo (150 Deg)) (Continued)

Member Label	Direction	Start Magnitude[lb/ft.F,ksfl]	End Magnitude[lb/ft.F,ksfl]	Start Location[ft....]	End Location[ft.-%]
46	M81B	Z	7.081	7.081	0 %100
47	MP1C	X	2.925	2.925	0 %100
48	MP1C	Z	5.066	5.066	0 %100
49	MP2C	X	2.925	2.925	0 %100
50	MP2C	Z	5.066	5.066	0 %100
51	MP32C	X	2.925	2.925	0 %100
52	MP32C	Z	5.066	5.066	0 %100
53	MP1B	X	2.925	2.925	0 %100
54	MP1B	Z	5.066	5.066	0 %100
55	MP2B	X	2.925	2.925	0 %100
56	MP2B	Z	5.066	5.066	0 %100
57	MP3B	X	2.925	2.925	0 %100
58	MP3B	Z	5.066	5.066	0 %100
59	MP4B	X	2.925	2.925	0 %100
60	MP4B	Z	5.066	5.066	0 %100
61	M81D	X	6.579	6.579	0 %100
62	M81D	Z	11.395	11.395	0 %100
63	M82C	X	.017	.017	0 %100
64	M82C	Z	.029	.029	0 %100
65	M83D	X	9.812	9.812	0 %100
66	M83D	Z	16.995	16.995	0 %100
67	M84C	X	10.636	10.636	0 %100
68	M84C	Z	18.422	18.422	0 %100
69	M87A	X	1.85	1.85	0 %100
70	M87A	Z	3.204	3.204	0 %100
71	M88A	X	9.812	9.812	0 %100
72	M88A	Z	16.995	16.995	0 %100
73	M89A	X	10.636	10.636	0 %100
74	M89A	Z	18.422	18.422	0 %100
75	M90A	X	.017	.017	0 %100
76	M90A	Z	.029	.029	0 %100
77	M87	X	.014	.014	0 %100
78	M87	Z	.024	.024	0 %100
79	M92A	X	8.177	8.177	0 %100
80	M92A	Z	14.162	14.162	0 %100
81	M95	X	5.318	5.318	0 %100
82	M95	Z	9.211	9.211	0 %100
83	M96	X	.008	.008	0 %100
84	M96	Z	.014	.014	0 %100
85	M97	X	4.906	4.906	0 %100
86	M97	Z	8.497	8.497	0 %100
87	M98	X	4.112	4.112	0 %100
88	M98	Z	7.122	7.122	0 %100
89	M99	X	4.112	4.112	0 %100
90	M99	Z	7.122	7.122	0 %100
91	M100	X	4.112	4.112	0 %100
92	M100	Z	7.122	7.122	0 %100
93	M101	X	4.112	4.112	0 %100
94	M101	Z	7.122	7.122	0 %100
95	M102	X	4.112	4.112	0 %100
96	M102	Z	7.122	7.122	0 %100
97	M103	X	4.112	4.112	0 %100
98	M103	Z	7.122	7.122	0 %100
99	M104	X	4.112	4.112	0 %100
100	M104	Z	7.122	7.122	0 %100
101	M105	X	4.112	4.112	0 %100
102	M105	Z	7.122	7.122	0 %100



Member Distributed Loads (BLC 46 : Structure Wo (150 Deg)) (Continued)

	Member Label	Direction	Start Magnitude[lb/ft.F,ksf]	End Magnitude[lb/ft.F,ksf]	Start Location[ft....]	End Location[ft.-%]
103	M106	X	4.112	4.112	0	%100
104	M106	Z	7.122	7.122	0	%100
105	M107	X	4.112	4.112	0	%100
106	M107	Z	7.122	7.122	0	%100
107	M108	X	4.112	4.112	0	%100
108	M108	Z	7.122	7.122	0	%100
109	M109	X	4.112	4.112	0	%100
110	M109	Z	7.122	7.122	0	%100
111	M110	X	3.938	3.938	0	%100
112	M110	Z	6.82	6.82	0	%100
113	M111	X	3.938	3.938	0	%100
114	M111	Z	6.82	6.82	0	%100
115	M112	X	3.771	3.771	0	%100
116	M112	Z	6.531	6.531	0	%100
117	M113	X	3.771	3.771	0	%100
118	M113	Z	6.531	6.531	0	%100
119	M114	X	1.784	1.784	0	%100
120	M114	Z	3.089	3.089	0	%100
121	M118	X	.003	.003	0	%100
122	M118	Z	.005	.005	0	%100
123	M125A	X	1.864	1.864	0	%100
124	M125A	Z	3.229	3.229	0	%100
125	M126A	X	2.021	2.021	0	%100
126	M126A	Z	3.5	3.5	0	%100
127	M125B	X	2.499	2.499	0	%100
128	M125B	Z	4.329	4.329	0	%100
129	M126B	X	.004	.004	0	%100
130	M126B	Z	.007	.007	0	%100
131	M127	X	2.306	2.306	0	%100
132	M127	Z	3.993	3.993	0	%100
133	M128A	X	.425	.425	0	%100
134	M128A	Z	.735	.735	0	%100
135	M131	X	.000663	.000663	0	%100
136	M131	Z	.001	.001	0	%100
137	M134	X	.392	.392	0	%100
138	M134	Z	.678	.678	0	%100
139	M139A	X	.000831	.000831	0	%100
140	M139A	Z	.001	.001	0	%100
141	M148	X	.491	.491	0	%100
142	M148	Z	.85	.85	0	%100
143	M147B	X	.343	.343	0	%100
144	M147B	Z	.593	.593	0	%100
145	M148B	X	.343	.343	0	%100
146	M148B	Z	.593	.593	0	%100
147	M153A	X	.343	.343	0	%100
148	M153A	Z	.593	.593	0	%100
149	M154A	X	.343	.343	0	%100
150	M154A	Z	.593	.593	0	%100
151	M159	X	.343	.343	0	%100
152	M159	Z	.593	.593	0	%100
153	M160	X	.343	.343	0	%100
154	M160	Z	.593	.593	0	%100
155	MP3C	X	2.925	2.925	0	%100
156	MP3C	Z	5.066	5.066	0	%100
157	R2	X	2.228	2.228	0	%100
158	R2	Z	3.859	3.859	0	%100



Member Distributed Loads (BLC 47 : Structure Wo (180 Deg))

	Member Label	Direction	Start Magnitude[lb/ft.F,ksf]	End Magnitude[lb/ft.F,ksf]	Start Location[ft....]	End Location[ft.-%]
1	M1	X	0	0	0	%100
2	M1	Z	11.355	11.355	0	%100
3	M3	X	0	0	0	%100
4	M3	Z	.016	.016	0	%100
5	M4	X	0	0	0	%100
6	M4	Z	27.253	27.253	0	%100
7	M5	X	0	0	0	%100
8	M5	Z	1.363	1.363	0	%100
9	M7	X	0	0	0	%100
10	M7	Z	7.662	7.662	0	%100
11	M8	X	0	0	0	%100
12	M8	Z	6.014	6.014	0	%100
13	M30	X	0	0	0	%100
14	M30	Z	.014	.014	0	%100
15	M31	X	0	0	0	%100
16	M31	Z	.014	.014	0	%100
17	M33A	X	0	0	0	%100
18	M33A	Z	11.408	11.408	0	%100
19	MP1A	X	0	0	0	%100
20	MP1A	Z	5.64	5.64	0	%100
21	MP2A	X	0	0	0	%100
22	MP2A	Z	5.64	5.64	0	%100
23	MP3A	X	0	0	0	%100
24	MP3A	Z	5.64	5.64	0	%100
25	MP4A	X	0	0	0	%100
26	MP4A	Z	5.64	5.64	0	%100
27	R1	X	0	0	0	%100
28	R1	Z	5.64	5.64	0	%100
29	M52	X	0	0	0	%100
30	M52	Z	8.46	8.46	0	%100
31	M53	X	0	0	0	%100
32	M53	Z	8.46	8.46	0	%100
33	M55	X	0	0	0	%100
34	M55	Z	3.207	3.207	0	%100
35	M73A	X	0	0	0	%100
36	M73A	Z	9.17	9.17	0	%100
37	M74A	X	0	0	0	%100
38	M74A	Z	9.17	9.17	0	%100
39	M76A	X	0	0	0	%100
40	M76A	Z	2.517	2.517	0	%100
41	M81A	X	0	0	0	%100
42	M81A	Z	22.711	22.711	0	%100
43	M80	X	0	0	0	%100
44	M80	Z	3.193	3.193	0	%100
45	M81B	X	0	0	0	%100
46	M81B	Z	2.506	2.506	0	%100
47	MP1C	X	0	0	0	%100
48	MP1C	Z	5.64	5.64	0	%100
49	MP2C	X	0	0	0	%100
50	MP2C	Z	5.64	5.64	0	%100
51	MP32C	X	0	0	0	%100
52	MP32C	Z	5.64	5.64	0	%100
53	MP1B	X	0	0	0	%100
54	MP1B	Z	5.64	5.64	0	%100
55	MP2B	X	0	0	0	%100
56	MP2B	Z	5.64	5.64	0	%100
57	MP3B	X	0	0	0	%100



Member Distributed Loads (BLC 47 : Structure Wo (180 Deg)) (Continued)

Member Label	Direction	Start Magnitude[lb/ft.F,ksfl]	End Magnitude[lb/ft.F,ksfl]	Start Location[ft,...]	End Location[ft, %]
58	MP3B	Z	5.64	5.64	0 %100
59	MP4B	X	0	0	0 %100
60	MP4B	Z	5.64	5.64	0 %100
61	M81D	X	0	0	0 %100
62	M81D	Z	9.474	9.474	0 %100
63	M82C	X	0	0	0 %100
64	M82C	Z	7.662	7.662	0 %100
65	M83D	X	0	0	0 %100
66	M83D	Z	6.014	6.014	0 %100
67	M84C	X	0	0	0 %100
68	M84C	Z	27.253	27.253	0 %100
69	M87A	X	0	0	0 %100
70	M87A	Z	10.27	10.27	0 %100
71	M88A	X	0	0	0 %100
72	M88A	Z	6.014	6.014	0 %100
73	M89A	X	0	0	0 %100
74	M89A	Z	27.253	27.253	0 %100
75	M90A	X	0	0	0 %100
76	M90A	Z	7.662	7.662	0 %100
77	M87	X	0	0	0 %100
78	M87	Z	6.385	6.385	0 %100
79	M92A	X	0	0	0 %100
80	M92A	Z	5.012	5.012	0 %100
81	M95	X	0	0	0 %100
82	M95	Z	13.626	13.626	0 %100
83	M96	X	0	0	0 %100
84	M96	Z	3.831	3.831	0 %100
85	M97	X	0	0	0 %100
86	M97	Z	3.007	3.007	0 %100
87	M98	X	0	0	0 %100
88	M98	Z	8.224	8.224	0 %100
89	M99	X	0	0	0 %100
90	M99	Z	8.224	8.224	0 %100
91	M100	X	0	0	0 %100
92	M100	Z	8.224	8.224	0 %100
93	M101	X	0	0	0 %100
94	M101	Z	8.224	8.224	0 %100
95	M102	X	0	0	0 %100
96	M102	Z	8.224	8.224	0 %100
97	M103	X	0	0	0 %100
98	M103	Z	8.224	8.224	0 %100
99	M104	X	0	0	0 %100
100	M104	Z	8.224	8.224	0 %100
101	M105	X	0	0	0 %100
102	M105	Z	8.224	8.224	0 %100
103	M106	X	0	0	0 %100
104	M106	Z	8.224	8.224	0 %100
105	M107	X	0	0	0 %100
106	M107	Z	8.224	8.224	0 %100
107	M108	X	0	0	0 %100
108	M108	Z	8.224	8.224	0 %100
109	M109	X	0	0	0 %100
110	M109	Z	8.224	8.224	0 %100
111	M110	X	0	0	0 %100
112	M110	Z	9.089	9.089	0 %100
113	M111	X	0	0	0 %100
114	M111	Z	9.089	9.089	0 %100



Member Distributed Loads (BLC 47 : Structure Wo (180 Deg)) (Continued)

	Member Label	Direction	Start Magnitude[lb/ft.F,ksf]	End Magnitude[lb/ft.F,ksf]	Start Location[ft....	End Location[ft.%,]
115	M112	X	0	0	0	%100
116	M112	Z	4.781	4.781	0	%100
117	M113	X	0	0	0	%100
118	M113	Z	4.781	4.781	0	%100
119	M114	X	0	0	0	%100
120	M114	Z	5.115	5.115	0	%100
121	M118	X	0	0	0	%100
122	M118	Z	1.456	1.456	0	%100
123	M125A	X	0	0	0	%100
124	M125A	Z	1.143	1.143	0	%100
125	M126A	X	0	0	0	%100
126	M126A	Z	5.178	5.178	0	%100
127	M125B	X	0	0	0	%100
128	M125B	Z	6.404	6.404	0	%100
129	M126B	X	0	0	0	%100
130	M126B	Z	1.8	1.8	0	%100
131	M127	X	0	0	0	%100
132	M127	Z	1.413	1.413	0	%100
133	M128A	X	0	0	0	%100
134	M128A	Z	1.088	1.088	0	%100
135	M131	X	0	0	0	%100
136	M131	Z	.306	.306	0	%100
137	M134	X	0	0	0	%100
138	M134	Z	.24	.24	0	%100
139	M139A	X	0	0	0	%100
140	M139A	Z	.383	.383	0	%100
141	M148	X	0	0	0	%100
142	M148	Z	.301	.301	0	%100
143	M147B	X	0	0	0	%100
144	M147B	Z	1.279	1.279	0	%100
145	M148B	X	0	0	0	%100
146	M148B	Z	1.279	1.279	0	%100
147	M153A	X	0	0	0	%100
148	M153A	Z	1.279	1.279	0	%100
149	M154A	X	0	0	0	%100
150	M154A	Z	1.279	1.279	0	%100
151	M159	X	0	0	0	%100
152	M159	Z	1.279	1.279	0	%100
153	M160	X	0	0	0	%100
154	M160	Z	1.279	1.279	0	%100
155	MP3C	X	0	0	0	%100
156	MP3C	Z	5.64	5.64	0	%100
157	R2	X	0	0	0	%100
158	R2	Z	4.343	4.343	0	%100

Member Distributed Loads (BLC 48 : Structure Wo (210 Deg))

	Member Label	Direction	Start Magnitude[lb/ft.F,ksf]	End Magnitude[lb/ft.F,ksf]	Start Location[ft....	End Location[ft.%,]
1	M1	X	-4.088	-4.088	0	%100
2	M1	Z	7.081	7.081	0	%100
3	M3	X	-1.85	-1.85	0	%100
4	M3	Z	3.204	3.204	0	%100
5	M4	X	-9.812	-9.812	0	%100
6	M4	Z	16.995	16.995	0	%100
7	M5	X	-.491	-.491	0	%100
8	M5	Z	.85	.85	0	%100
9	M7	X	-10.636	-10.636	0	%100



Member Distributed Loads (BLC 48 : Structure Wo (210 Deg)) (Continued)

	Member Label	Direction	Start Magnitude[lb/ft.F,ksfl]	End Magnitude[lb/ft.F,ksfl]	Start Location[ft,...]	End Location[ft, %]
10	M7	Z	18.422	18.422	0	%100
11	M8	X	-.017	-.017	0	%100
12	M8	Z	.029	.029	0	%100
13	M30	X	-1.652	-1.652	0	%100
14	M30	Z	2.861	2.861	0	%100
15	M31	X	-1.652	-1.652	0	%100
16	M31	Z	2.861	2.861	0	%100
17	M33A	X	-4.107	-4.107	0	%100
18	M33A	Z	7.114	7.114	0	%100
19	MP1A	X	-2.925	-2.925	0	%100
20	MP1A	Z	5.066	5.066	0	%100
21	MP2A	X	-2.925	-2.925	0	%100
22	MP2A	Z	5.066	5.066	0	%100
23	MP3A	X	-2.925	-2.925	0	%100
24	MP3A	Z	5.066	5.066	0	%100
25	MP4A	X	-2.925	-2.925	0	%100
26	MP4A	Z	5.066	5.066	0	%100
27	R1	X	-2.9	-2.9	0	%100
28	R1	Z	5.023	5.023	0	%100
29	M52	X	-1.296	-1.296	0	%100
30	M52	Z	2.245	2.245	0	%100
31	M53	X	-1.296	-1.296	0	%100
32	M53	Z	2.245	2.245	0	%100
33	M55	X	-4.452	-4.452	0	%100
34	M55	Z	7.711	7.711	0	%100
35	M73A	X	-5.874	-5.874	0	%100
36	M73A	Z	10.174	10.174	0	%100
37	M74A	X	-5.874	-5.874	0	%100
38	M74A	Z	10.174	10.174	0	%100
39	M76A	X	-.007	-.007	0	%100
40	M76A	Z	.012	.012	0	%100
41	M81A	X	-8.177	-8.177	0	%100
42	M81A	Z	14.162	14.162	0	%100
43	M80	X	-4.432	-4.432	0	%100
44	M80	Z	7.676	7.676	0	%100
45	M81B	X	-.007	-.007	0	%100
46	M81B	Z	.012	.012	0	%100
47	MP1C	X	-2.925	-2.925	0	%100
48	MP1C	Z	5.066	5.066	0	%100
49	MP2C	X	-2.925	-2.925	0	%100
50	MP2C	Z	5.066	5.066	0	%100
51	MP32C	X	-2.925	-2.925	0	%100
52	MP32C	Z	5.066	5.066	0	%100
53	MP1B	X	-2.925	-2.925	0	%100
54	MP1B	Z	5.066	5.066	0	%100
55	MP2B	X	-2.925	-2.925	0	%100
56	MP2B	Z	5.066	5.066	0	%100
57	MP3B	X	-2.925	-2.925	0	%100
58	MP3B	Z	5.066	5.066	0	%100
59	MP4B	X	-2.925	-2.925	0	%100
60	MP4B	Z	5.066	5.066	0	%100
61	M81D	X	-1.452	-1.452	0	%100
62	M81D	Z	2.515	2.515	0	%100
63	M82C	X	-10.636	-10.636	0	%100
64	M82C	Z	18.422	18.422	0	%100
65	M83D	X	-.017	-.017	0	%100
66	M83D	Z	.029	.029	0	%100



Member Distributed Loads (BLC 48 : Structure Wo (210 Deg)) (Continued)

Member Label	Direction	Start Magnitude[lb/ft.F,ksf]	End Magnitude[lb/ft.F,ksf]	Start Location[ft....]	End Location[ft.%]
67	M84C	X	-9.812	-9.812	0 %100
68	M84C	Z	16.995	16.995	0 %100
69	M87A	X	-6.579	-6.579	0 %100
70	M87A	Z	11.395	11.395	0 %100
71	M88A	X	-.017	-.017	0 %100
72	M88A	Z	.029	.029	0 %100
73	M89A	X	-9.812	-9.812	0 %100
74	M89A	Z	16.995	16.995	0 %100
75	M90A	X	-10.636	-10.636	0 %100
76	M90A	Z	18.422	18.422	0 %100
77	M87	X	-8.863	-8.863	0 %100
78	M87	Z	15.352	15.352	0 %100
79	M92A	X	-.014	-.014	0 %100
80	M92A	Z	.024	.024	0 %100
81	M95	X	-4.906	-4.906	0 %100
82	M95	Z	8.497	8.497	0 %100
83	M96	X	-5.318	-5.318	0 %100
84	M96	Z	9.211	9.211	0 %100
85	M97	X	-.008	-.008	0 %100
86	M97	Z	.014	.014	0 %100
87	M98	X	-4.112	-4.112	0 %100
88	M98	Z	7.122	7.122	0 %100
89	M99	X	-4.112	-4.112	0 %100
90	M99	Z	7.122	7.122	0 %100
91	M100	X	-4.112	-4.112	0 %100
92	M100	Z	7.122	7.122	0 %100
93	M101	X	-4.112	-4.112	0 %100
94	M101	Z	7.122	7.122	0 %100
95	M102	X	-4.112	-4.112	0 %100
96	M102	Z	7.122	7.122	0 %100
97	M103	X	-4.112	-4.112	0 %100
98	M103	Z	7.122	7.122	0 %100
99	M104	X	-4.112	-4.112	0 %100
100	M104	Z	7.122	7.122	0 %100
101	M105	X	-4.112	-4.112	0 %100
102	M105	Z	7.122	7.122	0 %100
103	M106	X	-4.112	-4.112	0 %100
104	M106	Z	7.122	7.122	0 %100
105	M107	X	-4.112	-4.112	0 %100
106	M107	Z	7.122	7.122	0 %100
107	M108	X	-4.112	-4.112	0 %100
108	M108	Z	7.122	7.122	0 %100
109	M109	X	-4.112	-4.112	0 %100
110	M109	Z	7.122	7.122	0 %100
111	M110	X	-3.771	-3.771	0 %100
112	M110	Z	6.531	6.531	0 %100
113	M111	X	-3.771	-3.771	0 %100
114	M111	Z	6.531	6.531	0 %100
115	M112	X	-1.784	-1.784	0 %100
116	M112	Z	3.089	3.089	0 %100
117	M113	X	-1.784	-1.784	0 %100
118	M113	Z	3.089	3.089	0 %100
119	M114	X	-3.938	-3.938	0 %100
120	M114	Z	6.82	6.82	0 %100
121	M118	X	-2.021	-2.021	0 %100
122	M118	Z	3.5	3.5	0 %100
123	M125A	X	-.003	-.003	0 %100



Member Distributed Loads (BLC 48 : Structure Wo (210 Deg)) (Continued)

	Member Label	Direction	Start Magnitude[lb/ft.F,ksf]	End Magnitude[lb/ft.F,ksf]	Start Location[ft,...]	End Location[ft, %]
124	M125A	Z	.005	.005	0	%100
125	M126A	X	-1.864	-1.864	0	%100
126	M126A	Z	3.229	3.229	0	%100
127	M125B	X	-2.306	-2.306	0	%100
128	M125B	Z	3.993	3.993	0	%100
129	M126B	X	-2.499	-2.499	0	%100
130	M126B	Z	4.329	4.329	0	%100
131	M127	X	-.004	-.004	0	%100
132	M127	Z	.007	.007	0	%100
133	M128A	X	-.392	-.392	0	%100
134	M128A	Z	.678	.678	0	%100
135	M131	X	-.425	-.425	0	%100
136	M131	Z	.735	.735	0	%100
137	M134	X	-.000663	-.000663	0	%100
138	M134	Z	.001	.001	0	%100
139	M139A	X	-.532	-.532	0	%100
140	M139A	Z	.921	.921	0	%100
141	M148	X	-.000831	-.000831	0	%100
142	M148	Z	.001	.001	0	%100
143	M147B	X	-.639	-.639	0	%100
144	M147B	Z	1.107	1.107	0	%100
145	M148B	X	-.639	-.639	0	%100
146	M148B	Z	1.107	1.107	0	%100
147	M153A	X	-.639	-.639	0	%100
148	M153A	Z	1.107	1.107	0	%100
149	M154A	X	-.639	-.639	0	%100
150	M154A	Z	1.107	1.107	0	%100
151	M159	X	-.639	-.639	0	%100
152	M159	Z	1.107	1.107	0	%100
153	M160	X	-.639	-.639	0	%100
154	M160	Z	1.107	1.107	0	%100
155	MP3C	X	-2.925	-2.925	0	%100
156	MP3C	Z	5.066	5.066	0	%100
157	R2	X	-2.228	-2.228	0	%100
158	R2	Z	3.859	3.859	0	%100

Member Distributed Loads (BLC 49 : Structure Wo (240 Deg))

	Member Label	Direction	Start Magnitude[lb/ft.F,ksf]	End Magnitude[lb/ft.F,ksf]	Start Location[ft,...]	End Location[ft, %]
1	M1	X	-2.17	-2.17	0	%100
2	M1	Z	1.253	1.253	0	%100
3	M3	X	-8.894	-8.894	0	%100
4	M3	Z	5.135	5.135	0	%100
5	M4	X	-5.208	-5.208	0	%100
6	M4	Z	3.007	3.007	0	%100
7	M5	X	-.26	-.26	0	%100
8	M5	Z	.15	.15	0	%100
9	M7	X	-23.602	-23.602	0	%100
10	M7	Z	13.626	13.626	0	%100
11	M8	X	-6.636	-6.636	0	%100
12	M8	Z	3.831	3.831	0	%100
13	M30	X	-7.942	-7.942	0	%100
14	M30	Z	4.585	4.585	0	%100
15	M31	X	-7.942	-7.942	0	%100
16	M31	Z	4.585	4.585	0	%100
17	M33A	X	-2.18	-2.18	0	%100
18	M33A	Z	1.259	1.259	0	%100



Member Distributed Loads (BLC 49 : Structure Wo (240 Deg)) (Continued)

	Member Label	Direction	Start Magnitude[lb/ft.F,ksf]	End Magnitude[lb/ft.F,ksf]	Start Location[ft....]	End Location[ft.%]
19	MP1A	X	-5.43	-5.43	0	%100
20	MP1A	Z	3.135	3.135	0	%100
21	MP2A	X	-5.43	-5.43	0	%100
22	MP2A	Z	3.135	3.135	0	%100
23	MP3A	X	-5.43	-5.43	0	%100
24	MP3A	Z	3.135	3.135	0	%100
25	MP4A	X	-5.43	-5.43	0	%100
26	MP4A	Z	3.135	3.135	0	%100
27	R1	X	-5.299	-5.299	0	%100
28	R1	Z	3.06	3.06	0	%100
29	M52	X	-0.12	-0.12	0	%100
30	M52	Z	.007	.007	0	%100
31	M53	X	-.012	-.012	0	%100
32	M53	Z	.007	.007	0	%100
33	M55	X	-9.879	-9.879	0	%100
34	M55	Z	5.704	5.704	0	%100
35	M73A	X	-7.326	-7.326	0	%100
36	M73A	Z	4.23	4.23	0	%100
37	M74A	X	-7.326	-7.326	0	%100
38	M74A	Z	4.23	4.23	0	%100
39	M76A	X	-2.778	-2.778	0	%100
40	M76A	Z	1.604	1.604	0	%100
41	M81A	X	-4.34	-4.34	0	%100
42	M81A	Z	2.506	2.506	0	%100
43	M80	X	-9.834	-9.834	0	%100
44	M80	Z	5.678	5.678	0	%100
45	M81B	X	-2.765	-2.765	0	%100
46	M81B	Z	1.596	1.596	0	%100
47	MP1C	X	-5.43	-5.43	0	%100
48	MP1C	Z	3.135	3.135	0	%100
49	MP2C	X	-5.43	-5.43	0	%100
50	MP2C	Z	3.135	3.135	0	%100
51	MP32C	X	-5.43	-5.43	0	%100
52	MP32C	Z	3.135	3.135	0	%100
53	MP1B	X	-5.43	-5.43	0	%100
54	MP1B	Z	3.135	3.135	0	%100
55	MP2B	X	-5.43	-5.43	0	%100
56	MP2B	Z	3.135	3.135	0	%100
57	MP3B	X	-5.43	-5.43	0	%100
58	MP3B	Z	3.135	3.135	0	%100
59	MP4B	X	-5.43	-5.43	0	%100
60	MP4B	Z	3.135	3.135	0	%100
61	M81D	X	-.014	-.014	0	%100
62	M81D	Z	.008	.008	0	%100
63	M82C	X	-23.602	-23.602	0	%100
64	M82C	Z	13.626	13.626	0	%100
65	M83D	X	-6.636	-6.636	0	%100
66	M83D	Z	3.831	3.831	0	%100
67	M84C	X	-5.208	-5.208	0	%100
68	M84C	Z	3.007	3.007	0	%100
69	M87A	X	-8.205	-8.205	0	%100
70	M87A	Z	4.737	4.737	0	%100
71	M88A	X	-6.636	-6.636	0	%100
72	M88A	Z	3.831	3.831	0	%100
73	M89A	X	-5.208	-5.208	0	%100
74	M89A	Z	3.007	3.007	0	%100
75	M90A	X	-23.602	-23.602	0	%100



Member Distributed Loads (BLC 49 : Structure Wo (240 Deg)) (Continued)

Member Label	Direction	Start Magnitude[lb/ft.F,ksfl]	End Magnitude[lb/ft.F,ksfl]	Start Location[ft....]	End Location[ft.-%]
76	M90A	Z	13.626	13.626	0 %100
77	M87	X	-19.668	-19.668	0 %100
78	M87	Z	11.355	11.355	0 %100
79	M92A	X	-5.53	-5.53	0 %100
80	M92A	Z	3.193	3.193	0 %100
81	M95	X	-2.604	-2.604	0 %100
82	M95	Z	1.503	1.503	0 %100
83	M96	X	-11.801	-11.801	0 %100
84	M96	Z	6.813	6.813	0 %100
85	M97	X	-3.318	-3.318	0 %100
86	M97	Z	1.916	1.916	0 %100
87	M98	X	-7.122	-7.122	0 %100
88	M98	Z	4.112	4.112	0 %100
89	M99	X	-7.122	-7.122	0 %100
90	M99	Z	4.112	4.112	0 %100
91	M100	X	-7.122	-7.122	0 %100
92	M100	Z	4.112	4.112	0 %100
93	M101	X	-7.122	-7.122	0 %100
94	M101	Z	4.112	4.112	0 %100
95	M102	X	-7.122	-7.122	0 %100
96	M102	Z	4.112	4.112	0 %100
97	M103	X	-7.122	-7.122	0 %100
98	M103	Z	4.112	4.112	0 %100
99	M104	X	-7.122	-7.122	0 %100
100	M104	Z	4.112	4.112	0 %100
101	M105	X	-7.122	-7.122	0 %100
102	M105	Z	4.112	4.112	0 %100
103	M106	X	-7.122	-7.122	0 %100
104	M106	Z	4.112	4.112	0 %100
105	M107	X	-7.122	-7.122	0 %100
106	M107	Z	4.112	4.112	0 %100
107	M108	X	-7.122	-7.122	0 %100
108	M108	Z	4.112	4.112	0 %100
109	M109	X	-7.122	-7.122	0 %100
110	M109	Z	4.112	4.112	0 %100
111	M110	X	-4.14	-4.14	0 %100
112	M110	Z	2.39	2.39	0 %100
113	M111	X	-4.14	-4.14	0 %100
114	M111	Z	2.39	2.39	0 %100
115	M112	X	-4.43	-4.43	0 %100
116	M112	Z	2.557	2.557	0 %100
117	M113	X	-4.43	-4.43	0 %100
118	M113	Z	2.557	2.557	0 %100
119	M114	X	-7.871	-7.871	0 %100
120	M114	Z	4.544	4.544	0 %100
121	M118	X	-4.484	-4.484	0 %100
122	M118	Z	2.589	2.589	0 %100
123	M125A	X	-1.261	-1.261	0 %100
124	M125A	Z	.728	.728	0 %100
125	M126A	X	-.99	-.99	0 %100
126	M126A	Z	.571	.571	0 %100
127	M125B	X	-1.224	-1.224	0 %100
128	M125B	Z	.707	.707	0 %100
129	M126B	X	-5.546	-5.546	0 %100
130	M126B	Z	3.202	3.202	0 %100
131	M127	X	-1.559	-1.559	0 %100
132	M127	Z	.9	.9	0 %100



Member Distributed Loads (BLC 49 : Structure Wo (240 Deg)) (Continued)

	Member Label	Direction	Start Magnitude[lb/ft.F,ksf]	End Magnitude[lb/ft.F,ksf]	Start Location[ft....]	End Location[ft.-%]
133	M128A	X	-208	-208	0	%100
134	M128A	Z	.12	.12	0	%100
135	M131	X	-.942	-.942	0	%100
136	M131	Z	.544	.544	0	%100
137	M134	X	-.265	-.265	0	%100
138	M134	Z	.153	.153	0	%100
139	M139A	X	-1.18	-1.18	0	%100
140	M139A	Z	.681	.681	0	%100
141	M148	X	-.332	-.332	0	%100
142	M148	Z	.192	.192	0	%100
143	M147B	X	-.593	-.593	0	%100
144	M147B	Z	.343	.343	0	%100
145	M148B	X	-.593	-.593	0	%100
146	M148B	Z	.343	.343	0	%100
147	M153A	X	-.593	-.593	0	%100
148	M153A	Z	.343	.343	0	%100
149	M154A	X	-.593	-.593	0	%100
150	M154A	Z	.343	.343	0	%100
151	M159	X	-.593	-.593	0	%100
152	M159	Z	.343	.343	0	%100
153	M160	X	-.593	-.593	0	%100
154	M160	Z	.343	.343	0	%100
155	MP3C	X	-5.43	-5.43	0	%100
156	MP3C	Z	3.135	3.135	0	%100
157	R2	X	-4.054	-4.054	0	%100
158	R2	Z	2.341	2.341	0	%100

Member Distributed Loads (BLC 50 : Structure Wo (270 Deg))

	Member Label	Direction	Start Magnitude[lb/ft.F,ksf]	End Magnitude[lb/ft.F,ksf]	Start Location[ft....]	End Location[ft.-%]
1	M1	X	-.014	-.014	0	%100
2	M1	Z	0	0	0	%100
3	M3	X	-13.158	-13.158	0	%100
4	M3	Z	0	0	0	%100
5	M4	X	-.033	-.033	0	%100
6	M4	Z	0	0	0	%100
7	M5	X	-.002	-.002	0	%100
8	M5	Z	0	0	0	%100
9	M7	X	-19.624	-19.624	0	%100
10	M7	Z	0	0	0	%100
11	M8	X	-21.272	-21.272	0	%100
12	M8	Z	0	0	0	%100
13	M30	X	-11.748	-11.748	0	%100
14	M30	Z	0	0	0	%100
15	M31	X	-11.748	-11.748	0	%100
16	M31	Z	0	0	0	%100
17	M33A	X	-.014	-.014	0	%100
18	M33A	Z	0	0	0	%100
19	MP1A	X	-6.48	-6.48	0	%100
20	MP1A	Z	0	0	0	%100
21	MP2A	X	-6.48	-6.48	0	%100
22	MP2A	Z	0	0	0	%100
23	MP3A	X	-6.48	-6.48	0	%100
24	MP3A	Z	0	0	0	%100
25	MP4A	X	-6.48	-6.48	0	%100
26	MP4A	Z	0	0	0	%100
27	R1	X	-6.279	-6.279	0	%100



Member Distributed Loads (BLC 50 : Structure Wo (270 Deg)) (Continued)

	Member Label	Direction	Start Magnitude[lb/ft.F,ksfl]	End Magnitude[lb/ft.F,ksfl]	Start Location[ft....]	End Location[ft.-%]
28	R1	Z	0	0	0	%100
29	M52	X	-3.303	-3.303	0	%100
30	M52	Z	0	0	0	%100
31	M53	X	-3.303	-3.303	0	%100
32	M53	Z	0	0	0	%100
33	M55	X	-8.214	-8.214	0	%100
34	M55	Z	0	0	0	%100
35	M73A	X	-2.593	-2.593	0	%100
36	M73A	Z	0	0	0	%100
37	M74A	X	-2.593	-2.593	0	%100
38	M74A	Z	0	0	0	%100
39	M76A	X	-8.904	-8.904	0	%100
40	M76A	Z	0	0	0	%100
41	M81A	X	-.028	-.028	0	%100
42	M81A	Z	0	0	0	%100
43	M80	X	-8.177	-8.177	0	%100
44	M80	Z	0	0	0	%100
45	M81B	X	-8.863	-8.863	0	%100
46	M81B	Z	0	0	0	%100
47	MP1C	X	-6.48	-6.48	0	%100
48	MP1C	Z	0	0	0	%100
49	MP2C	X	-6.48	-6.48	0	%100
50	MP2C	Z	0	0	0	%100
51	MP32C	X	-6.48	-6.48	0	%100
52	MP32C	Z	0	0	0	%100
53	MP1B	X	-6.48	-6.48	0	%100
54	MP1B	Z	0	0	0	%100
55	MP2B	X	-6.48	-6.48	0	%100
56	MP2B	Z	0	0	0	%100
57	MP3B	X	-6.48	-6.48	0	%100
58	MP3B	Z	0	0	0	%100
59	MP4B	X	-6.48	-6.48	0	%100
60	MP4B	Z	0	0	0	%100
61	M81D	X	-3.699	-3.699	0	%100
62	M81D	Z	0	0	0	%100
63	M82C	X	-19.624	-19.624	0	%100
64	M82C	Z	0	0	0	%100
65	M83D	X	-21.272	-21.272	0	%100
66	M83D	Z	0	0	0	%100
67	M84C	X	-.033	-.033	0	%100
68	M84C	Z	0	0	0	%100
69	M87A	X	-2.904	-2.904	0	%100
70	M87A	Z	0	0	0	%100
71	M88A	X	-21.272	-21.272	0	%100
72	M88A	Z	0	0	0	%100
73	M89A	X	-.033	-.033	0	%100
74	M89A	Z	0	0	0	%100
75	M90A	X	-19.624	-19.624	0	%100
76	M90A	Z	0	0	0	%100
77	M87	X	-16.353	-16.353	0	%100
78	M87	Z	0	0	0	%100
79	M92A	X	-17.727	-17.727	0	%100
80	M92A	Z	0	0	0	%100
81	M95	X	-.017	-.017	0	%100
82	M95	Z	0	0	0	%100
83	M96	X	-9.812	-9.812	0	%100
84	M96	Z	0	0	0	%100



Member Distributed Loads (BLC 50 : Structure Wo (270 Deg)) (Continued)

	Member Label	Direction	Start Magnitude[lb/ft.F,ksf]	End Magnitude[lb/ft.F,ksf]	Start Location[ft....]	End Location[ft.-%]
85	M97	X	-10.636	-10.636	0	%100
86	M97	Z	0	0	0	%100
87	M98	X	-8.224	-8.224	0	%100
88	M98	Z	0	0	0	%100
89	M99	X	-8.224	-8.224	0	%100
90	M99	Z	0	0	0	%100
91	M100	X	-8.224	-8.224	0	%100
92	M100	Z	0	0	0	%100
93	M101	X	-8.224	-8.224	0	%100
94	M101	Z	0	0	0	%100
95	M102	X	-8.224	-8.224	0	%100
96	M102	Z	0	0	0	%100
97	M103	X	-8.224	-8.224	0	%100
98	M103	Z	0	0	0	%100
99	M104	X	-8.224	-8.224	0	%100
100	M104	Z	0	0	0	%100
101	M105	X	-8.224	-8.224	0	%100
102	M105	Z	0	0	0	%100
103	M106	X	-8.224	-8.224	0	%100
104	M106	Z	0	0	0	%100
105	M107	X	-8.224	-8.224	0	%100
106	M107	Z	0	0	0	%100
107	M108	X	-8.224	-8.224	0	%100
108	M108	Z	0	0	0	%100
109	M109	X	-8.224	-8.224	0	%100
110	M109	Z	0	0	0	%100
111	M110	X	-3.567	-3.567	0	%100
112	M110	Z	0	0	0	%100
113	M111	X	-3.567	-3.567	0	%100
114	M111	Z	0	0	0	%100
115	M112	X	-7.875	-7.875	0	%100
116	M112	Z	0	0	0	%100
117	M113	X	-7.875	-7.875	0	%100
118	M113	Z	0	0	0	%100
119	M114	X	-7.541	-7.541	0	%100
120	M114	Z	0	0	0	%100
121	M118	X	-3.729	-3.729	0	%100
122	M118	Z	0	0	0	%100
123	M125A	X	-4.042	-4.042	0	%100
124	M125A	Z	0	0	0	%100
125	M126A	X	-.006	-.006	0	%100
126	M126A	Z	0	0	0	%100
127	M125B	X	-.008	-.008	0	%100
128	M125B	Z	0	0	0	%100
129	M126B	X	-4.611	-4.611	0	%100
130	M126B	Z	0	0	0	%100
131	M127	X	-4.999	-4.999	0	%100
132	M127	Z	0	0	0	%100
133	M128A	X	-.001	-.001	0	%100
134	M128A	Z	0	0	0	%100
135	M131	X	-.783	-.783	0	%100
136	M131	Z	0	0	0	%100
137	M134	X	-.849	-.849	0	%100
138	M134	Z	0	0	0	%100
139	M139A	X	-.981	-.981	0	%100
140	M139A	Z	0	0	0	%100
141	M148	X	-1.064	-1.064	0	%100



Member Distributed Loads (BLC 50 : Structure Wo (270 Deg)) (Continued)

	Member Label	Direction	Start Magnitude[lb/ft.F,ksf]	End Magnitude[lb/ft.F,ksf]	Start Location[ft,...]	End Location[ft, %]
142	M148	Z	0	0	0	%100
143	M147B	X	-0.092	-0.092	0	%100
144	M147B	Z	0	0	0	%100
145	M148B	X	-0.092	-0.092	0	%100
146	M148B	Z	0	0	0	%100
147	M153A	X	-0.092	-0.092	0	%100
148	M153A	Z	0	0	0	%100
149	M154A	X	-0.092	-0.092	0	%100
150	M154A	Z	0	0	0	%100
151	M159	X	-0.092	-0.092	0	%100
152	M159	Z	0	0	0	%100
153	M160	X	-0.092	-0.092	0	%100
154	M160	Z	0	0	0	%100
155	MP3C	X	-6.48	-6.48	0	%100
156	MP3C	Z	0	0	0	%100
157	R2	X	-4.794	-4.794	0	%100
158	R2	Z	0	0	0	%100

Member Distributed Loads (BLC 51 : Structure Wo (300 Deg))

	Member Label	Direction	Start Magnitude[lb/ft.F,ksf]	End Magnitude[lb/ft.F,ksf]	Start Location[ft,...]	End Location[ft, %]
1	M1	X	-2.765	-2.765	0	%100
2	M1	Z	-1.596	-1.596	0	%100
3	M3	X	-8.205	-8.205	0	%100
4	M3	Z	-4.737	-4.737	0	%100
5	M4	X	-6.636	-6.636	0	%100
6	M4	Z	-3.831	-3.831	0	%100
7	M5	X	-0.332	-0.332	0	%100
8	M5	Z	-0.192	-0.192	0	%100
9	M7	X	-5.208	-5.208	0	%100
10	M7	Z	-3.007	-3.007	0	%100
11	M8	X	-23.602	-23.602	0	%100
12	M8	Z	-13.626	-13.626	0	%100
13	M30	X	-7.326	-7.326	0	%100
14	M30	Z	-4.23	-4.23	0	%100
15	M31	X	-7.326	-7.326	0	%100
16	M31	Z	-4.23	-4.23	0	%100
17	M33A	X	-2.778	-2.778	0	%100
18	M33A	Z	-1.604	-1.604	0	%100
19	MP1A	X	-5.43	-5.43	0	%100
20	MP1A	Z	-3.135	-3.135	0	%100
21	MP2A	X	-5.43	-5.43	0	%100
22	MP2A	Z	-3.135	-3.135	0	%100
23	MP3A	X	-5.43	-5.43	0	%100
24	MP3A	Z	-3.135	-3.135	0	%100
25	MP4A	X	-5.43	-5.43	0	%100
26	MP4A	Z	-3.135	-3.135	0	%100
27	R1	X	-5.299	-5.299	0	%100
28	R1	Z	-3.06	-3.06	0	%100
29	M52	X	-7.942	-7.942	0	%100
30	M52	Z	-4.585	-4.585	0	%100
31	M53	X	-7.942	-7.942	0	%100
32	M53	Z	-4.585	-4.585	0	%100
33	M55	X	-2.18	-2.18	0	%100
34	M55	Z	-1.259	-1.259	0	%100
35	M73A	X	-0.012	-0.012	0	%100
36	M73A	Z	-0.007	-0.007	0	%100



Member Distributed Loads (BLC 51 : Structure Wo (300 Deg)) (Continued)

	Member Label	Direction	Start Magnitude[lb/ft.F,ksf]	End Magnitude[lb/ft.F,ksf]	Start Location[ft....]	End Location[ft.-%]
37	M74A	X	-0.12	-0.12	0	%100
38	M74A	Z	-0.07	-0.07	0	%100
39	M76A	X	-9.879	-9.879	0	%100
40	M76A	Z	-5.704	-5.704	0	%100
41	M81A	X	-5.53	-5.53	0	%100
42	M81A	Z	-3.193	-3.193	0	%100
43	M80	X	-2.17	-2.17	0	%100
44	M80	Z	-1.253	-1.253	0	%100
45	M81B	X	-9.834	-9.834	0	%100
46	M81B	Z	-5.678	-5.678	0	%100
47	MP1C	X	-5.43	-5.43	0	%100
48	MP1C	Z	-3.135	-3.135	0	%100
49	MP2C	X	-5.43	-5.43	0	%100
50	MP2C	Z	-3.135	-3.135	0	%100
51	MP32C	X	-5.43	-5.43	0	%100
52	MP32C	Z	-3.135	-3.135	0	%100
53	MP1B	X	-5.43	-5.43	0	%100
54	MP1B	Z	-3.135	-3.135	0	%100
55	MP2B	X	-5.43	-5.43	0	%100
56	MP2B	Z	-3.135	-3.135	0	%100
57	MP3B	X	-5.43	-5.43	0	%100
58	MP3B	Z	-3.135	-3.135	0	%100
59	MP4B	X	-5.43	-5.43	0	%100
60	MP4B	Z	-3.135	-3.135	0	%100
61	M81D	X	-8.894	-8.894	0	%100
62	M81D	Z	-5.135	-5.135	0	%100
63	M82C	X	-5.208	-5.208	0	%100
64	M82C	Z	-3.007	-3.007	0	%100
65	M83D	X	-23.602	-23.602	0	%100
66	M83D	Z	-13.626	-13.626	0	%100
67	M84C	X	-6.636	-6.636	0	%100
68	M84C	Z	-3.831	-3.831	0	%100
69	M87A	X	-0.14	-0.14	0	%100
70	M87A	Z	-0.08	-0.08	0	%100
71	M88A	X	-23.602	-23.602	0	%100
72	M88A	Z	-13.626	-13.626	0	%100
73	M89A	X	-6.636	-6.636	0	%100
74	M89A	Z	-3.831	-3.831	0	%100
75	M90A	X	-5.208	-5.208	0	%100
76	M90A	Z	-3.007	-3.007	0	%100
77	M87	X	-4.34	-4.34	0	%100
78	M87	Z	-2.506	-2.506	0	%100
79	M92A	X	-19.668	-19.668	0	%100
80	M92A	Z	-11.355	-11.355	0	%100
81	M95	X	-3.318	-3.318	0	%100
82	M95	Z	-1.916	-1.916	0	%100
83	M96	X	-2.604	-2.604	0	%100
84	M96	Z	-1.503	-1.503	0	%100
85	M97	X	-11.801	-11.801	0	%100
86	M97	Z	-6.813	-6.813	0	%100
87	M98	X	-7.122	-7.122	0	%100
88	M98	Z	-4.112	-4.112	0	%100
89	M99	X	-7.122	-7.122	0	%100
90	M99	Z	-4.112	-4.112	0	%100
91	M100	X	-7.122	-7.122	0	%100
92	M100	Z	-4.112	-4.112	0	%100
93	M101	X	-7.122	-7.122	0	%100



Member Distributed Loads (BLC 51 : Structure Wo (300 Deg)) (Continued)

	Member Label	Direction	Start Magnitude[lb/ft.F,ksfl]	End Magnitude[lb/ft.F,ksfl]	Start Location[ft,...]	End Location[ft, %]
94	M101	Z	-4.112	-4.112	0	%100
95	M102	X	-7.122	-7.122	0	%100
96	M102	Z	-4.112	-4.112	0	%100
97	M103	X	-7.122	-7.122	0	%100
98	M103	Z	-4.112	-4.112	0	%100
99	M104	X	-7.122	-7.122	0	%100
100	M104	Z	-4.112	-4.112	0	%100
101	M105	X	-7.122	-7.122	0	%100
102	M105	Z	-4.112	-4.112	0	%100
103	M106	X	-7.122	-7.122	0	%100
104	M106	Z	-4.112	-4.112	0	%100
105	M107	X	-7.122	-7.122	0	%100
106	M107	Z	-4.112	-4.112	0	%100
107	M108	X	-7.122	-7.122	0	%100
108	M108	Z	-4.112	-4.112	0	%100
109	M109	X	-7.122	-7.122	0	%100
110	M109	Z	-4.112	-4.112	0	%100
111	M110	X	-4.43	-4.43	0	%100
112	M110	Z	-2.557	-2.557	0	%100
113	M111	X	-4.43	-4.43	0	%100
114	M111	Z	-2.557	-2.557	0	%100
115	M112	X	-7.871	-7.871	0	%100
116	M112	Z	-4.544	-4.544	0	%100
117	M113	X	-7.871	-7.871	0	%100
118	M113	Z	-4.544	-4.544	0	%100
119	M114	X	-4.14	-4.14	0	%100
120	M114	Z	-2.39	-2.39	0	%100
121	M118	X	-.99	-.99	0	%100
122	M118	Z	-.571	-.571	0	%100
123	M125A	X	-4.484	-4.484	0	%100
124	M125A	Z	-2.589	-2.589	0	%100
125	M126A	X	-1.261	-1.261	0	%100
126	M126A	Z	-.728	-.728	0	%100
127	M125B	X	-1.559	-1.559	0	%100
128	M125B	Z	-.9	-.9	0	%100
129	M126B	X	-1.224	-1.224	0	%100
130	M126B	Z	-.707	-.707	0	%100
131	M127	X	-5.546	-5.546	0	%100
132	M127	Z	-3.202	-3.202	0	%100
133	M128A	X	-.265	-.265	0	%100
134	M128A	Z	-.153	-.153	0	%100
135	M131	X	-.208	-.208	0	%100
136	M131	Z	-.12	-.12	0	%100
137	M134	X	-.942	-.942	0	%100
138	M134	Z	-.544	-.544	0	%100
139	M139A	X	-.26	-.26	0	%100
140	M139A	Z	-.15	-.15	0	%100
141	M148	X	-1.18	-1.18	0	%100
142	M148	Z	-.681	-.681	0	%100
143	M147B	X	-.08	-.08	0	%100
144	M147B	Z	-.046	-.046	0	%100
145	M148B	X	-.08	-.08	0	%100
146	M148B	Z	-.046	-.046	0	%100
147	M153A	X	-.08	-.08	0	%100
148	M153A	Z	-.046	-.046	0	%100
149	M154A	X	-.08	-.08	0	%100
150	M154A	Z	-.046	-.046	0	%100



Member Distributed Loads (BLC 51 : Structure Wo (300 Deg)) (Continued)

	Member Label	Direction	Start Magnitude[lb/ft.F,ksf]	End Magnitude[lb/ft.F,ksf]	Start Location[ft,...]	End Location[ft, %]
151	M159	X	-0.08	-0.08	0	%100
152	M159	Z	-0.046	-0.046	0	%100
153	M160	X	-0.08	-0.08	0	%100
154	M160	Z	-0.046	-0.046	0	%100
155	MP3C	X	-5.43	-5.43	0	%100
156	MP3C	Z	-3.135	-3.135	0	%100
157	R2	X	-4.054	-4.054	0	%100
158	R2	Z	-2.341	-2.341	0	%100

Member Distributed Loads (BLC 52 : Structure Wo (330 Deg))

	Member Label	Direction	Start Magnitude[lb/ft.F,ksf]	End Magnitude[lb/ft.F,ksf]	Start Location[ft,...]	End Location[ft, %]
1	M1	X	-4.432	-4.432	0	%100
2	M1	Z	-7.676	-7.676	0	%100
3	M3	X	-1.452	-1.452	0	%100
4	M3	Z	-2.515	-2.515	0	%100
5	M4	X	-10.636	-10.636	0	%100
6	M4	Z	-18.422	-18.422	0	%100
7	M5	X	-0.532	-0.532	0	%100
8	M5	Z	-0.921	-0.921	0	%100
9	M7	X	-0.017	-0.017	0	%100
10	M7	Z	-0.029	-0.029	0	%100
11	M8	X	-9.812	-9.812	0	%100
12	M8	Z	-16.995	-16.995	0	%100
13	M30	X	-1.296	-1.296	0	%100
14	M30	Z	-2.245	-2.245	0	%100
15	M31	X	-1.296	-1.296	0	%100
16	M31	Z	-2.245	-2.245	0	%100
17	M33A	X	-4.452	-4.452	0	%100
18	M33A	Z	-7.711	-7.711	0	%100
19	MP1A	X	-2.925	-2.925	0	%100
20	MP1A	Z	-5.066	-5.066	0	%100
21	MP2A	X	-2.925	-2.925	0	%100
22	MP2A	Z	-5.066	-5.066	0	%100
23	MP3A	X	-2.925	-2.925	0	%100
24	MP3A	Z	-5.066	-5.066	0	%100
25	MP4A	X	-2.925	-2.925	0	%100
26	MP4A	Z	-5.066	-5.066	0	%100
27	R1	X	-2.9	-2.9	0	%100
28	R1	Z	-5.023	-5.023	0	%100
29	M52	X	-5.874	-5.874	0	%100
30	M52	Z	-10.174	-10.174	0	%100
31	M53	X	-5.874	-5.874	0	%100
32	M53	Z	-10.174	-10.174	0	%100
33	M55	X	-0.007	-0.007	0	%100
34	M55	Z	-0.012	-0.012	0	%100
35	M73A	X	-1.652	-1.652	0	%100
36	M73A	Z	-2.861	-2.861	0	%100
37	M74A	X	-1.652	-1.652	0	%100
38	M74A	Z	-2.861	-2.861	0	%100
39	M76A	X	-4.107	-4.107	0	%100
40	M76A	Z	-7.114	-7.114	0	%100
41	M81A	X	-8.863	-8.863	0	%100
42	M81A	Z	-15.352	-15.352	0	%100
43	M80	X	-0.007	-0.007	0	%100
44	M80	Z	-0.012	-0.012	0	%100
45	M81B	X	-4.088	-4.088	0	%100



Member Distributed Loads (BLC 52 : Structure Wo (330 Deg)) (Continued)

Member Label	Direction	Start Magnitude[lb/ft.F,ksfl	End Magnitude[lb/ft.F,ksfl	Start Location[ft....	End Location[ft.-%]
46	M81B	Z	-7.081	-7.081	0 %100
47	MP1C	X	-2.925	-2.925	0 %100
48	MP1C	Z	-5.066	-5.066	0 %100
49	MP2C	X	-2.925	-2.925	0 %100
50	MP2C	Z	-5.066	-5.066	0 %100
51	MP32C	X	-2.925	-2.925	0 %100
52	MP32C	Z	-5.066	-5.066	0 %100
53	MP1B	X	-2.925	-2.925	0 %100
54	MP1B	Z	-5.066	-5.066	0 %100
55	MP2B	X	-2.925	-2.925	0 %100
56	MP2B	Z	-5.066	-5.066	0 %100
57	MP3B	X	-2.925	-2.925	0 %100
58	MP3B	Z	-5.066	-5.066	0 %100
59	MP4B	X	-2.925	-2.925	0 %100
60	MP4B	Z	-5.066	-5.066	0 %100
61	M81D	X	-6.579	-6.579	0 %100
62	M81D	Z	-11.395	-11.395	0 %100
63	M82C	X	-.017	-.017	0 %100
64	M82C	Z	-.029	-.029	0 %100
65	M83D	X	-9.812	-9.812	0 %100
66	M83D	Z	-16.995	-16.995	0 %100
67	M84C	X	-10.636	-10.636	0 %100
68	M84C	Z	-18.422	-18.422	0 %100
69	M87A	X	-1.85	-1.85	0 %100
70	M87A	Z	-3.204	-3.204	0 %100
71	M88A	X	-9.812	-9.812	0 %100
72	M88A	Z	-16.995	-16.995	0 %100
73	M89A	X	-10.636	-10.636	0 %100
74	M89A	Z	-18.422	-18.422	0 %100
75	M90A	X	-.017	-.017	0 %100
76	M90A	Z	-.029	-.029	0 %100
77	M87	X	-.014	-.014	0 %100
78	M87	Z	-.024	-.024	0 %100
79	M92A	X	-8.177	-8.177	0 %100
80	M92A	Z	-14.162	-14.162	0 %100
81	M95	X	-5.318	-5.318	0 %100
82	M95	Z	-9.211	-9.211	0 %100
83	M96	X	-.008	-.008	0 %100
84	M96	Z	-.014	-.014	0 %100
85	M97	X	-4.906	-4.906	0 %100
86	M97	Z	-8.497	-8.497	0 %100
87	M98	X	-4.112	-4.112	0 %100
88	M98	Z	-7.122	-7.122	0 %100
89	M99	X	-4.112	-4.112	0 %100
90	M99	Z	-7.122	-7.122	0 %100
91	M100	X	-4.112	-4.112	0 %100
92	M100	Z	-7.122	-7.122	0 %100
93	M101	X	-4.112	-4.112	0 %100
94	M101	Z	-7.122	-7.122	0 %100
95	M102	X	-4.112	-4.112	0 %100
96	M102	Z	-7.122	-7.122	0 %100
97	M103	X	-4.112	-4.112	0 %100
98	M103	Z	-7.122	-7.122	0 %100
99	M104	X	-4.112	-4.112	0 %100
100	M104	Z	-7.122	-7.122	0 %100
101	M105	X	-4.112	-4.112	0 %100
102	M105	Z	-7.122	-7.122	0 %100



Member Distributed Loads (BLC 52 : Structure Wo (330 Deg)) (Continued)

	Member Label	Direction	Start Magnitude[lb/ft.F,ksf]	End Magnitude[lb/ft.F,ksf]	Start Location[ft....]	End Location[ft.-%]
103	M106	X	-4.112	-4.112	0	%100
104	M106	Z	-7.122	-7.122	0	%100
105	M107	X	-4.112	-4.112	0	%100
106	M107	Z	-7.122	-7.122	0	%100
107	M108	X	-4.112	-4.112	0	%100
108	M108	Z	-7.122	-7.122	0	%100
109	M109	X	-4.112	-4.112	0	%100
110	M109	Z	-7.122	-7.122	0	%100
111	M110	X	-3.938	-3.938	0	%100
112	M110	Z	-6.82	-6.82	0	%100
113	M111	X	-3.938	-3.938	0	%100
114	M111	Z	-6.82	-6.82	0	%100
115	M112	X	-3.771	-3.771	0	%100
116	M112	Z	-6.531	-6.531	0	%100
117	M113	X	-3.771	-3.771	0	%100
118	M113	Z	-6.531	-6.531	0	%100
119	M114	X	-1.784	-1.784	0	%100
120	M114	Z	-3.089	-3.089	0	%100
121	M118	X	-.003	-.003	0	%100
122	M118	Z	-.005	-.005	0	%100
123	M125A	X	-1.864	-1.864	0	%100
124	M125A	Z	-3.229	-3.229	0	%100
125	M126A	X	-2.021	-2.021	0	%100
126	M126A	Z	-3.5	-3.5	0	%100
127	M125B	X	-2.499	-2.499	0	%100
128	M125B	Z	-4.329	-4.329	0	%100
129	M126B	X	-.004	-.004	0	%100
130	M126B	Z	-.007	-.007	0	%100
131	M127	X	-2.306	-2.306	0	%100
132	M127	Z	-3.993	-3.993	0	%100
133	M128A	X	-.425	-.425	0	%100
134	M128A	Z	-.735	-.735	0	%100
135	M131	X	-.000663	-.000663	0	%100
136	M131	Z	-.001	-.001	0	%100
137	M134	X	-.392	-.392	0	%100
138	M134	Z	-.678	-.678	0	%100
139	M139A	X	-.000831	-.000831	0	%100
140	M139A	Z	-.001	-.001	0	%100
141	M148	X	-.491	-.491	0	%100
142	M148	Z	-.85	-.85	0	%100
143	M147B	X	-.343	-.343	0	%100
144	M147B	Z	-.593	-.593	0	%100
145	M148B	X	-.343	-.343	0	%100
146	M148B	Z	-.593	-.593	0	%100
147	M153A	X	-.343	-.343	0	%100
148	M153A	Z	-.593	-.593	0	%100
149	M154A	X	-.343	-.343	0	%100
150	M154A	Z	-.593	-.593	0	%100
151	M159	X	-.343	-.343	0	%100
152	M159	Z	-.593	-.593	0	%100
153	M160	X	-.343	-.343	0	%100
154	M160	Z	-.593	-.593	0	%100
155	MP3C	X	-2.925	-2.925	0	%100
156	MP3C	Z	-5.066	-5.066	0	%100
157	R2	X	-2.228	-2.228	0	%100
158	R2	Z	-3.859	-3.859	0	%100



Member Distributed Loads (BLC 53 : Structure Wi (0 Deg))

	Member Label	Direction	Start Magnitude[lb/ft.F,ksf]	End Magnitude[lb/ft.F,ksf]	Start Location[ft....]	End Location[ft.-%]
1	M1	X	0	0	0	%100
2	M1	Z	-1.951	-1.951	0	%100
3	M3	X	0	0	0	%100
4	M3	Z	-.003	-.003	0	%100
5	M4	X	0	0	0	%100
6	M4	Z	-4.346	-4.346	0	%100
7	M5	X	0	0	0	%100
8	M5	Z	-.444	-.444	0	%100
9	M7	X	0	0	0	%100
10	M7	Z	-1.204	-1.204	0	%100
11	M8	X	0	0	0	%100
12	M8	Z	-.945	-.945	0	%100
13	M30	X	0	0	0	%100
14	M30	Z	-.002	-.002	0	%100
15	M31	X	0	0	0	%100
16	M31	Z	-.002	-.002	0	%100
17	M33A	X	0	0	0	%100
18	M33A	Z	-1.959	-1.959	0	%100
19	MP1A	X	0	0	0	%100
20	MP1A	Z	-1.089	-1.089	0	%100
21	MP2A	X	0	0	0	%100
22	MP2A	Z	-1.089	-1.089	0	%100
23	MP3A	X	0	0	0	%100
24	MP3A	Z	-1.089	-1.089	0	%100
25	MP4A	X	0	0	0	%100
26	MP4A	Z	-1.089	-1.089	0	%100
27	R1	X	0	0	0	%100
28	R1	Z	-1.089	-1.089	0	%100
29	M52	X	0	0	0	%100
30	M52	Z	-1.448	-1.448	0	%100
31	M53	X	0	0	0	%100
32	M53	Z	-1.448	-1.448	0	%100
33	M55	X	0	0	0	%100
34	M55	Z	-.551	-.551	0	%100
35	M73A	X	0	0	0	%100
36	M73A	Z	-1.569	-1.569	0	%100
37	M74A	X	0	0	0	%100
38	M74A	Z	-1.569	-1.569	0	%100
39	M76A	X	0	0	0	%100
40	M76A	Z	-.432	-.432	0	%100
41	M81A	X	0	0	0	%100
42	M81A	Z	-3.664	-3.664	0	%100
43	M80	X	0	0	0	%100
44	M80	Z	-.549	-.549	0	%100
45	M81B	X	0	0	0	%100
46	M81B	Z	-.431	-.431	0	%100
47	MP1C	X	0	0	0	%100
48	MP1C	Z	-1.089	-1.089	0	%100
49	MP2C	X	0	0	0	%100
50	MP2C	Z	-1.089	-1.089	0	%100
51	MP32C	X	0	0	0	%100
52	MP32C	Z	-1.089	-1.089	0	%100
53	MP1B	X	0	0	0	%100
54	MP1B	Z	-1.089	-1.089	0	%100
55	MP2B	X	0	0	0	%100
56	MP2B	Z	-1.089	-1.089	0	%100
57	MP3B	X	0	0	0	%100



Member Distributed Loads (BLC 53 : Structure Wi (0 Deg)) (Continued)

Member Label	Direction	Start Magnitude[lb/ft.F,ksfl]	End Magnitude[lb/ft.F,ksfl]	Start Location[ft....]	End Location[ft.-%]
58	MP3B	Z	-1.089	-1.089	0 %100
59	MP4B	X	0	0	0 %100
60	MP4B	Z	-1.089	-1.089	0 %100
61	M81D	X	0	0	0 %100
62	M81D	Z	-1.601	-1.601	0 %100
63	M82C	X	0	0	0 %100
64	M82C	Z	-1.222	-1.222	0 %100
65	M83D	X	0	0	0 %100
66	M83D	Z	-.945	-.945	0 %100
67	M84C	X	0	0	0 %100
68	M84C	Z	-4.282	-4.282	0 %100
69	M87A	X	0	0	0 %100
70	M87A	Z	-1.735	-1.735	0 %100
71	M88A	X	0	0	0 %100
72	M88A	Z	-.959	-.959	0 %100
73	M89A	X	0	0	0 %100
74	M89A	Z	-4.282	-4.282	0 %100
75	M90A	X	0	0	0 %100
76	M90A	Z	-1.204	-1.204	0 %100
77	M87	X	0	0	0 %100
78	M87	Z	-1.03	-1.03	0 %100
79	M92A	X	0	0	0 %100
80	M92A	Z	-.808	-.808	0 %100
81	M95	X	0	0	0 %100
82	M95	Z	-2.294	-2.294	0 %100
83	M96	X	0	0	0 %100
84	M96	Z	-.645	-.645	0 %100
85	M97	X	0	0	0 %100
86	M97	Z	-.506	-.506	0 %100
87	M98	X	0	0	0 %100
88	M98	Z	-1.479	-1.479	0 %100
89	M99	X	0	0	0 %100
90	M99	Z	-1.479	-1.479	0 %100
91	M100	X	0	0	0 %100
92	M100	Z	-1.479	-1.479	0 %100
93	M101	X	0	0	0 %100
94	M101	Z	-1.479	-1.479	0 %100
95	M102	X	0	0	0 %100
96	M102	Z	-1.479	-1.479	0 %100
97	M103	X	0	0	0 %100
98	M103	Z	-1.479	-1.479	0 %100
99	M104	X	0	0	0 %100
100	M104	Z	-1.479	-1.479	0 %100
101	M105	X	0	0	0 %100
102	M105	Z	-1.479	-1.479	0 %100
103	M106	X	0	0	0 %100
104	M106	Z	-1.479	-1.479	0 %100
105	M107	X	0	0	0 %100
106	M107	Z	-1.479	-1.479	0 %100
107	M108	X	0	0	0 %100
108	M108	Z	-1.479	-1.479	0 %100
109	M109	X	0	0	0 %100
110	M109	Z	-1.479	-1.479	0 %100
111	M110	X	0	0	0 %100
112	M110	Z	-1.609	-1.609	0 %100
113	M111	X	0	0	0 %100
114	M111	Z	-1.609	-1.609	0 %100



Member Distributed Loads (BLC 53 : Structure Wi (0 Deg)) (Continued)

	Member Label	Direction	Start Magnitude[lb/ft.F,ksf]	End Magnitude[lb/ft.F,ksf]	Start Location[ft....	End Location[ft.%,
115	M112	X	0	0	0	%100
116	M112	Z	-0.847	-0.847	0	%100
117	M113	X	0	0	0	%100
118	M113	Z	-0.847	-0.847	0	%100
119	M114	X	0	0	0	%100
120	M114	Z	-0.906	-0.906	0	%100
121	M118	X	0	0	0	%100
122	M118	Z	-0.287	-0.287	0	%100
123	M125A	X	0	0	0	%100
124	M125A	Z	-0.225	-0.225	0	%100
125	M126A	X	0	0	0	%100
126	M126A	Z	-1.02	-1.02	0	%100
127	M125B	X	0	0	0	%100
128	M125B	Z	-1.204	-1.204	0	%100
129	M126B	X	0	0	0	%100
130	M126B	Z	-0.339	-0.339	0	%100
131	M127	X	0	0	0	%100
132	M127	Z	-0.266	-0.266	0	%100
133	M128A	X	0	0	0	%100
134	M128A	Z	-0.403	-0.403	0	%100
135	M131	X	0	0	0	%100
136	M131	Z	-0.113	-0.113	0	%100
137	M134	X	0	0	0	%100
138	M134	Z	-0.089	-0.089	0	%100
139	M139A	X	0	0	0	%100
140	M139A	Z	-0.125	-0.125	0	%100
141	M148	X	0	0	0	%100
142	M148	Z	-0.098	-0.098	0	%100
143	M147B	X	0	0	0	%100
144	M147B	Z	-0.377	-0.377	0	%100
145	M148B	X	0	0	0	%100
146	M148B	Z	-0.377	-0.377	0	%100
147	M153A	X	0	0	0	%100
148	M153A	Z	-0.377	-0.377	0	%100
149	M154A	X	0	0	0	%100
150	M154A	Z	-0.377	-0.377	0	%100
151	M159	X	0	0	0	%100
152	M159	Z	-0.377	-0.377	0	%100
153	M160	X	0	0	0	%100
154	M160	Z	-0.377	-0.377	0	%100
155	MP3C	X	0	0	0	%100
156	MP3C	Z	-1.089	-1.089	0	%100
157	R2	X	0	0	0	%100
158	R2	Z	-0.894	-0.894	0	%100

Member Distributed Loads (BLC 54 : Structure Wi (30 Deg))

	Member Label	Direction	Start Magnitude[lb/ft.F,ksf]	End Magnitude[lb/ft.F,ksf]	Start Location[ft....	End Location[ft.%,
1	M1	X	0.702	0.702	0	%100
2	M1	Z	-1.217	-1.217	0	%100
3	M3	X	0.313	0.313	0	%100
4	M3	Z	-0.541	-0.541	0	%100
5	M4	X	1.565	1.565	0	%100
6	M4	Z	-2.71	-2.71	0	%100
7	M5	X	0.16	0.16	0	%100
8	M5	Z	-0.277	-0.277	0	%100
9	M7	X	1.671	1.671	0	%100



Member Distributed Loads (BLC 54 : Structure Wi (30 Deg)) (Continued)

	Member Label	Direction	Start Magnitude[lb/ft.F,ksfl]	End Magnitude[lb/ft.F,ksfl]	Start Location[ft,...]	End Location[ft, %]
10	M7	Z	-2.895	-2.895	0	%100
11	M8	X	.003	.003	0	%100
12	M8	Z	-.005	-.005	0	%100
13	M30	X	.283	.283	0	%100
14	M30	Z	-.49	-.49	0	%100
15	M31	X	.283	.283	0	%100
16	M31	Z	-.49	-.49	0	%100
17	M33A	X	.705	.705	0	%100
18	M33A	Z	-1.222	-1.222	0	%100
19	MP1A	X	.561	.561	0	%100
20	MP1A	Z	-.971	-.971	0	%100
21	MP2A	X	.561	.561	0	%100
22	MP2A	Z	-.971	-.971	0	%100
23	MP3A	X	.561	.561	0	%100
24	MP3A	Z	-.971	-.971	0	%100
25	MP4A	X	.561	.561	0	%100
26	MP4A	Z	-.971	-.971	0	%100
27	R1	X	.557	.557	0	%100
28	R1	Z	-.964	-.964	0	%100
29	M52	X	.222	.222	0	%100
30	M52	Z	-.384	-.384	0	%100
31	M53	X	.222	.222	0	%100
32	M53	Z	-.384	-.384	0	%100
33	M55	X	.765	.765	0	%100
34	M55	Z	-1.324	-1.324	0	%100
35	M73A	X	1.005	1.005	0	%100
36	M73A	Z	-1.741	-1.741	0	%100
37	M74A	X	1.005	1.005	0	%100
38	M74A	Z	-1.741	-1.741	0	%100
39	M76A	X	.001	.001	0	%100
40	M76A	Z	-.002	-.002	0	%100
41	M81A	X	1.319	1.319	0	%100
42	M81A	Z	-2.285	-2.285	0	%100
43	M80	X	.761	.761	0	%100
44	M80	Z	-1.319	-1.319	0	%100
45	M81B	X	.001	.001	0	%100
46	M81B	Z	-.002	-.002	0	%100
47	MP1C	X	.561	.561	0	%100
48	MP1C	Z	-.971	-.971	0	%100
49	MP2C	X	.561	.561	0	%100
50	MP2C	Z	-.971	-.971	0	%100
51	MP32C	X	.561	.561	0	%100
52	MP32C	Z	-.971	-.971	0	%100
53	MP1B	X	.561	.561	0	%100
54	MP1B	Z	-.971	-.971	0	%100
55	MP2B	X	.561	.561	0	%100
56	MP2B	Z	-.971	-.971	0	%100
57	MP3B	X	.561	.561	0	%100
58	MP3B	Z	-.971	-.971	0	%100
59	MP4B	X	.561	.561	0	%100
60	MP4B	Z	-.971	-.971	0	%100
61	M81D	X	.245	.245	0	%100
62	M81D	Z	-.425	-.425	0	%100
63	M82C	X	1.696	1.696	0	%100
64	M82C	Z	-2.938	-2.938	0	%100
65	M83D	X	.003	.003	0	%100
66	M83D	Z	-.005	-.005	0	%100



Member Distributed Loads (BLC 54 : Structure Wi (30 Deg)) (Continued)

Member Label	Direction	Start Magnitude[lb/ft.F,ksf]	End Magnitude[lb/ft.F,ksf]	Start Location[ft....]	End Location[ft.%,]
67	M84C	X	1.542	1.542	0 %100
68	M84C	Z	-2.67	-2.67	0 %100
69	M87A	X	1.111	1.111	0 %100
70	M87A	Z	-1.925	-1.925	0 %100
71	M88A	X	.003	.003	0 %100
72	M88A	Z	-.005	-.005	0 %100
73	M89A	X	1.542	1.542	0 %100
74	M89A	Z	-2.67	-2.67	0 %100
75	M90A	X	1.671	1.671	0 %100
76	M90A	Z	-2.895	-2.895	0 %100
77	M87	X	1.43	1.43	0 %100
78	M87	Z	-2.477	-2.477	0 %100
79	M92A	X	.002	.002	0 %100
80	M92A	Z	-.004	-.004	0 %100
81	M95	X	.826	.826	0 %100
82	M95	Z	-1.43	-1.43	0 %100
83	M96	X	.895	.895	0 %100
84	M96	Z	-1.55	-1.55	0 %100
85	M97	X	.001	.001	0 %100
86	M97	Z	-.002	-.002	0 %100
87	M98	X	.74	.74	0 %100
88	M98	Z	-1.281	-1.281	0 %100
89	M99	X	.74	.74	0 %100
90	M99	Z	-1.281	-1.281	0 %100
91	M100	X	.74	.74	0 %100
92	M100	Z	-1.281	-1.281	0 %100
93	M101	X	.74	.74	0 %100
94	M101	Z	-1.281	-1.281	0 %100
95	M102	X	.74	.74	0 %100
96	M102	Z	-1.281	-1.281	0 %100
97	M103	X	.74	.74	0 %100
98	M103	Z	-1.281	-1.281	0 %100
99	M104	X	.74	.74	0 %100
100	M104	Z	-1.281	-1.281	0 %100
101	M105	X	.74	.74	0 %100
102	M105	Z	-1.281	-1.281	0 %100
103	M106	X	.74	.74	0 %100
104	M106	Z	-1.281	-1.281	0 %100
105	M107	X	.74	.74	0 %100
106	M107	Z	-1.281	-1.281	0 %100
107	M108	X	.74	.74	0 %100
108	M108	Z	-1.281	-1.281	0 %100
109	M109	X	.74	.74	0 %100
110	M109	Z	-1.281	-1.281	0 %100
111	M110	X	.668	.668	0 %100
112	M110	Z	-1.156	-1.156	0 %100
113	M111	X	.668	.668	0 %100
114	M111	Z	-1.156	-1.156	0 %100
115	M112	X	.316	.316	0 %100
116	M112	Z	-.547	-.547	0 %100
117	M113	X	.316	.316	0 %100
118	M113	Z	-.547	-.547	0 %100
119	M114	X	.697	.697	0 %100
120	M114	Z	-1.208	-1.208	0 %100
121	M118	X	.398	.398	0 %100
122	M118	Z	-.689	-.689	0 %100
123	M125A	X	.000622	.000622	0 %100



Member Distributed Loads (BLC 54 : Structure Wi (30 Deg)) (Continued)

	Member Label	Direction	Start Magnitude[lb/ft.F,ksf]	End Magnitude[lb/ft.F,ksf]	Start Location[ft,...]	End Location[ft, %]
124	M125A	Z	-.001	-.001	0	%100
125	M126A	X	.367	.367	0	%100
126	M126A	Z	-.636	-.636	0	%100
127	M125B	X	.434	.434	0	%100
128	M125B	Z	-.751	-.751	0	%100
129	M126B	X	.47	.47	0	%100
130	M126B	Z	-.814	-.814	0	%100
131	M127	X	.000734	.000734	0	%100
132	M127	Z	-.001	-.001	0	%100
133	M128A	X	.145	.145	0	%100
134	M128A	Z	-.251	-.251	0	%100
135	M131	X	.157	.157	0	%100
136	M131	Z	-.272	-.272	0	%100
137	M134	X	.000246	.000246	0	%100
138	M134	Z	-.000425	-.000425	0	%100
139	M139A	X	.173	.173	0	%100
140	M139A	Z	-.3	-.3	0	%100
141	M148	X	.000271	.000271	0	%100
142	M148	Z	-.000469	-.000469	0	%100
143	M147B	X	.188	.188	0	%100
144	M147B	Z	-.326	-.326	0	%100
145	M148B	X	.188	.188	0	%100
146	M148B	Z	-.326	-.326	0	%100
147	M153A	X	.188	.188	0	%100
148	M153A	Z	-.326	-.326	0	%100
149	M154A	X	.188	.188	0	%100
150	M154A	Z	-.326	-.326	0	%100
151	M159	X	.188	.188	0	%100
152	M159	Z	-.326	-.326	0	%100
153	M160	X	.188	.188	0	%100
154	M160	Z	-.326	-.326	0	%100
155	MP3C	X	.561	.561	0	%100
156	MP3C	Z	-.971	-.971	0	%100
157	R2	X	.455	.455	0	%100
158	R2	Z	-.789	-.789	0	%100

Member Distributed Loads (BLC 55 : Structure Wi (60 Deg))

	Member Label	Direction	Start Magnitude[lb/ft.F,ksf]	End Magnitude[lb/ft.F,ksf]	Start Location[ft,...]	End Location[ft, %]
1	M1	X	.373	.373	0	%100
2	M1	Z	-.215	-.215	0	%100
3	M3	X	1.503	1.503	0	%100
4	M3	Z	-.868	-.868	0	%100
5	M4	X	.831	.831	0	%100
6	M4	Z	-.48	-.48	0	%100
7	M5	X	.085	.085	0	%100
8	M5	Z	-.049	-.049	0	%100
9	M7	X	3.708	3.708	0	%100
10	M7	Z	-2.141	-2.141	0	%100
11	M8	X	1.043	1.043	0	%100
12	M8	Z	-.602	-.602	0	%100
13	M30	X	1.359	1.359	0	%100
14	M30	Z	-.785	-.785	0	%100
15	M31	X	1.359	1.359	0	%100
16	M31	Z	-.785	-.785	0	%100
17	M33A	X	.374	.374	0	%100
18	M33A	Z	-.216	-.216	0	%100



Member Distributed Loads (BLC 55 : Structure Wi (60 Deg)) (Continued)

	Member Label	Direction	Start Magnitude[lb/ft.F,ksf]	End Magnitude[lb/ft.F,ksf]	Start Location[ft....]	End Location[ft, %]
19	MP1A	X	1.026	1.026	0	%100
20	MP1A	Z	-592	-592	0	%100
21	MP2A	X	1.026	1.026	0	%100
22	MP2A	Z	-592	-592	0	%100
23	MP3A	X	1.026	1.026	0	%100
24	MP3A	Z	-592	-592	0	%100
25	MP4A	X	1.026	1.026	0	%100
26	MP4A	Z	-592	-592	0	%100
27	R1	X	1.006	1.006	0	%100
28	R1	Z	-581	-581	0	%100
29	M52	X	.002	.002	0	%100
30	M52	Z	-.001	-.001	0	%100
31	M53	X	.002	.002	0	%100
32	M53	Z	-.001	-.001	0	%100
33	M55	X	1.697	1.697	0	%100
34	M55	Z	-.98	-.98	0	%100
35	M73A	X	1.254	1.254	0	%100
36	M73A	Z	-.724	-.724	0	%100
37	M74A	X	1.254	1.254	0	%100
38	M74A	Z	-.724	-.724	0	%100
39	M76A	X	.477	.477	0	%100
40	M76A	Z	-.275	-.275	0	%100
41	M81A	X	.7	.7	0	%100
42	M81A	Z	-.404	-.404	0	%100
43	M80	X	1.69	1.69	0	%100
44	M80	Z	-.976	-.976	0	%100
45	M81B	X	.475	.475	0	%100
46	M81B	Z	-.274	-.274	0	%100
47	MP1C	X	1.026	1.026	0	%100
48	MP1C	Z	-592	-592	0	%100
49	MP2C	X	1.026	1.026	0	%100
50	MP2C	Z	-592	-592	0	%100
51	MP32C	X	1.026	1.026	0	%100
52	MP32C	Z	-592	-592	0	%100
53	MP1B	X	1.026	1.026	0	%100
54	MP1B	Z	-592	-592	0	%100
55	MP2B	X	1.026	1.026	0	%100
56	MP2B	Z	-592	-592	0	%100
57	MP3B	X	1.026	1.026	0	%100
58	MP3B	Z	-592	-592	0	%100
59	MP4B	X	1.026	1.026	0	%100
60	MP4B	Z	-592	-592	0	%100
61	M81D	X	.002	.002	0	%100
62	M81D	Z	-.001	-.001	0	%100
63	M82C	X	3.764	3.764	0	%100
64	M82C	Z	-2.173	-2.173	0	%100
65	M83D	X	1.043	1.043	0	%100
66	M83D	Z	-.602	-.602	0	%100
67	M84C	X	.818	.818	0	%100
68	M84C	Z	-.472	-.472	0	%100
69	M87A	X	1.386	1.386	0	%100
70	M87A	Z	-.8	-.8	0	%100
71	M88A	X	1.058	1.058	0	%100
72	M88A	Z	-.611	-.611	0	%100
73	M89A	X	.818	.818	0	%100
74	M89A	Z	-.472	-.472	0	%100
75	M90A	X	3.708	3.708	0	%100



Member Distributed Loads (BLC 55 : Structure Wi (60 Deg)) (Continued)

Member Label	Direction	Start Magnitude[lb/ft.F,ksfl	End Magnitude[lb/ft.F,ksfl	Start Location[ft....	End Location[ft.%,
76	M90A	Z	-2.141	-2.141	0 %100
77	M87	X	3.173	3.173	0 %100
78	M87	Z	-1.832	-1.832	0 %100
79	M92A	X	.892	.892	0 %100
80	M92A	Z	-.515	-.515	0 %100
81	M95	X	.438	.438	0 %100
82	M95	Z	-.253	-.253	0 %100
83	M96	X	1.986	1.986	0 %100
84	M96	Z	-1.147	-1.147	0 %100
85	M97	X	.558	.558	0 %100
86	M97	Z	-.322	-.322	0 %100
87	M98	X	1.281	1.281	0 %100
88	M98	Z	-.74	-.74	0 %100
89	M99	X	1.281	1.281	0 %100
90	M99	Z	-.74	-.74	0 %100
91	M100	X	1.281	1.281	0 %100
92	M100	Z	-.74	-.74	0 %100
93	M101	X	1.281	1.281	0 %100
94	M101	Z	-.74	-.74	0 %100
95	M102	X	1.281	1.281	0 %100
96	M102	Z	-.74	-.74	0 %100
97	M103	X	1.281	1.281	0 %100
98	M103	Z	-.74	-.74	0 %100
99	M104	X	1.281	1.281	0 %100
100	M104	Z	-.74	-.74	0 %100
101	M105	X	1.281	1.281	0 %100
102	M105	Z	-.74	-.74	0 %100
103	M106	X	1.281	1.281	0 %100
104	M106	Z	-.74	-.74	0 %100
105	M107	X	1.281	1.281	0 %100
106	M107	Z	-.74	-.74	0 %100
107	M108	X	1.281	1.281	0 %100
108	M108	Z	-.74	-.74	0 %100
109	M109	X	1.281	1.281	0 %100
110	M109	Z	-.74	-.74	0 %100
111	M110	X	.733	.733	0 %100
112	M110	Z	-.423	-.423	0 %100
113	M111	X	.733	.733	0 %100
114	M111	Z	-.423	-.423	0 %100
115	M112	X	.784	.784	0 %100
116	M112	Z	-.453	-.453	0 %100
117	M113	X	.784	.784	0 %100
118	M113	Z	-.453	-.453	0 %100
119	M114	X	1.394	1.394	0 %100
120	M114	Z	-.805	-.805	0 %100
121	M118	X	.883	.883	0 %100
122	M118	Z	-.51	-.51	0 %100
123	M125A	X	.248	.248	0 %100
124	M125A	Z	-.143	-.143	0 %100
125	M126A	X	.195	.195	0 %100
126	M126A	Z	-.112	-.112	0 %100
127	M125B	X	.23	.23	0 %100
128	M125B	Z	-.133	-.133	0 %100
129	M126B	X	1.043	1.043	0 %100
130	M126B	Z	-.602	-.602	0 %100
131	M127	X	.293	.293	0 %100
132	M127	Z	-.169	-.169	0 %100



Member Distributed Loads (BLC 55 : Structure Wi (60 Deg)) (Continued)

	Member Label	Direction	Start Magnitude[lb/ft.F,ksf]	End Magnitude[lb/ft.F,ksf]	Start Location[ft....]	End Location[ft.-%]
133	M128A	X	.077	.077	0	%100
134	M128A	Z	-.044	-.044	0	%100
135	M131	X	.349	.349	0	%100
136	M131	Z	-.201	-.201	0	%100
137	M134	X	.098	.098	0	%100
138	M134	Z	-.057	-.057	0	%100
139	M139A	X	.385	.385	0	%100
140	M139A	Z	-.222	-.222	0	%100
141	M148	X	.108	.108	0	%100
142	M148	Z	-.062	-.062	0	%100
143	M147B	X	.175	.175	0	%100
144	M147B	Z	-.101	-.101	0	%100
145	M148B	X	.175	.175	0	%100
146	M148B	Z	-.101	-.101	0	%100
147	M153A	X	.175	.175	0	%100
148	M153A	Z	-.101	-.101	0	%100
149	M154A	X	.175	.175	0	%100
150	M154A	Z	-.101	-.101	0	%100
151	M159	X	.175	.175	0	%100
152	M159	Z	-.101	-.101	0	%100
153	M160	X	.175	.175	0	%100
154	M160	Z	-.101	-.101	0	%100
155	MP3C	X	1.026	1.026	0	%100
156	MP3C	Z	-.592	-.592	0	%100
157	R2	X	.818	.818	0	%100
158	R2	Z	-.472	-.472	0	%100

Member Distributed Loads (BLC 56 : Structure Wi (90 Deg))

	Member Label	Direction	Start Magnitude[lb/ft.F,ksf]	End Magnitude[lb/ft.F,ksf]	Start Location[ft....]	End Location[ft.-%]
1	M1	X	.002	.002	0	%100
2	M1	Z	0	0	0	%100
3	M3	X	2.223	2.223	0	%100
4	M3	Z	0	0	0	%100
5	M4	X	.005	.005	0	%100
6	M4	Z	0	0	0	%100
7	M5	X	.000542	.000542	0	%100
8	M5	Z	0	0	0	%100
9	M7	X	3.083	3.083	0	%100
10	M7	Z	0	0	0	%100
11	M8	X	3.342	3.342	0	%100
12	M8	Z	0	0	0	%100
13	M30	X	2.01	2.01	0	%100
14	M30	Z	0	0	0	%100
15	M31	X	2.01	2.01	0	%100
16	M31	Z	0	0	0	%100
17	M33A	X	.002	.002	0	%100
18	M33A	Z	0	0	0	%100
19	MP1A	X	1.216	1.216	0	%100
20	MP1A	Z	0	0	0	%100
21	MP2A	X	1.216	1.216	0	%100
22	MP2A	Z	0	0	0	%100
23	MP3A	X	1.216	1.216	0	%100
24	MP3A	Z	0	0	0	%100
25	MP4A	X	1.216	1.216	0	%100
26	MP4A	Z	0	0	0	%100
27	R1	X	1.186	1.186	0	%100



Member Distributed Loads (BLC 56 : Structure Wi (90 Deg)) (Continued)

	Member Label	Direction	Start Magnitude[lb/ft.F,ksfl]	End Magnitude[lb/ft.F,ksfl]	Start Location[ft....]	End Location[ft.-%]
28	R1	Z	0	0	0	%100
29	M52	X	.565	.565	0	%100
30	M52	Z	0	0	0	%100
31	M53	X	.565	.565	0	%100
32	M53	Z	0	0	0	%100
33	M55	X	1.411	1.411	0	%100
34	M55	Z	0	0	0	%100
35	M73A	X	.444	.444	0	%100
36	M73A	Z	0	0	0	%100
37	M74A	X	.444	.444	0	%100
38	M74A	Z	0	0	0	%100
39	M76A	X	1.529	1.529	0	%100
40	M76A	Z	0	0	0	%100
41	M81A	X	.004	.004	0	%100
42	M81A	Z	0	0	0	%100
43	M80	X	1.405	1.405	0	%100
44	M80	Z	0	0	0	%100
45	M81B	X	1.523	1.523	0	%100
46	M81B	Z	0	0	0	%100
47	MP1C	X	1.216	1.216	0	%100
48	MP1C	Z	0	0	0	%100
49	MP2C	X	1.216	1.216	0	%100
50	MP2C	Z	0	0	0	%100
51	MP32C	X	1.216	1.216	0	%100
52	MP32C	Z	0	0	0	%100
53	MP1B	X	1.216	1.216	0	%100
54	MP1B	Z	0	0	0	%100
55	MP2B	X	1.216	1.216	0	%100
56	MP2B	Z	0	0	0	%100
57	MP3B	X	1.216	1.216	0	%100
58	MP3B	Z	0	0	0	%100
59	MP4B	X	1.216	1.216	0	%100
60	MP4B	Z	0	0	0	%100
61	M81D	X	.625	.625	0	%100
62	M81D	Z	0	0	0	%100
63	M82C	X	3.129	3.129	0	%100
64	M82C	Z	0	0	0	%100
65	M83D	X	3.342	3.342	0	%100
66	M83D	Z	0	0	0	%100
67	M84C	X	.005	.005	0	%100
68	M84C	Z	0	0	0	%100
69	M87A	X	.491	.491	0	%100
70	M87A	Z	0	0	0	%100
71	M88A	X	3.392	3.392	0	%100
72	M88A	Z	0	0	0	%100
73	M89A	X	.005	.005	0	%100
74	M89A	Z	0	0	0	%100
75	M90A	X	3.083	3.083	0	%100
76	M90A	Z	0	0	0	%100
77	M87	X	2.638	2.638	0	%100
78	M87	Z	0	0	0	%100
79	M92A	X	2.86	2.86	0	%100
80	M92A	Z	0	0	0	%100
81	M95	X	.003	.003	0	%100
82	M95	Z	0	0	0	%100
83	M96	X	1.652	1.652	0	%100
84	M96	Z	0	0	0	%100



Member Distributed Loads (BLC 56 : Structure Wi (90 Deg)) (Continued)

	Member Label	Direction	Start Magnitude[lb/ft.F,ksf]	End Magnitude[lb/ft.F,ksf]	Start Location[ft....]	End Location[ft.-%]
85	M97	X	1.79	1.79	0	%100
86	M97	Z	0	0	0	%100
87	M98	X	1.479	1.479	0	%100
88	M98	Z	0	0	0	%100
89	M99	X	1.479	1.479	0	%100
90	M99	Z	0	0	0	%100
91	M100	X	1.479	1.479	0	%100
92	M100	Z	0	0	0	%100
93	M101	X	1.479	1.479	0	%100
94	M101	Z	0	0	0	%100
95	M102	X	1.479	1.479	0	%100
96	M102	Z	0	0	0	%100
97	M103	X	1.479	1.479	0	%100
98	M103	Z	0	0	0	%100
99	M104	X	1.479	1.479	0	%100
100	M104	Z	0	0	0	%100
101	M105	X	1.479	1.479	0	%100
102	M105	Z	0	0	0	%100
103	M106	X	1.479	1.479	0	%100
104	M106	Z	0	0	0	%100
105	M107	X	1.479	1.479	0	%100
106	M107	Z	0	0	0	%100
107	M108	X	1.479	1.479	0	%100
108	M108	Z	0	0	0	%100
109	M109	X	1.479	1.479	0	%100
110	M109	Z	0	0	0	%100
111	M110	X	.632	.632	0	%100
112	M110	Z	0	0	0	%100
113	M111	X	.632	.632	0	%100
114	M111	Z	0	0	0	%100
115	M112	X	1.395	1.395	0	%100
116	M112	Z	0	0	0	%100
117	M113	X	1.395	1.395	0	%100
118	M113	Z	0	0	0	%100
119	M114	X	1.335	1.335	0	%100
120	M114	Z	0	0	0	%100
121	M118	X	.734	.734	0	%100
122	M118	Z	0	0	0	%100
123	M125A	X	.796	.796	0	%100
124	M125A	Z	0	0	0	%100
125	M126A	X	.001	.001	0	%100
126	M126A	Z	0	0	0	%100
127	M125B	X	.001	.001	0	%100
128	M125B	Z	0	0	0	%100
129	M126B	X	.867	.867	0	%100
130	M126B	Z	0	0	0	%100
131	M127	X	.94	.94	0	%100
132	M127	Z	0	0	0	%100
133	M128A	X	.000491	.000491	0	%100
134	M128A	Z	0	0	0	%100
135	M131	X	.29	.29	0	%100
136	M131	Z	0	0	0	%100
137	M134	X	.314	.314	0	%100
138	M134	Z	0	0	0	%100
139	M139A	X	.32	.32	0	%100
140	M139A	Z	0	0	0	%100
141	M148	X	.347	.347	0	%100



Member Distributed Loads (BLC 56 : Structure Wi (90 Deg)) (Continued)

	Member Label	Direction	Start Magnitude[lb/ft.F,ksf]	End Magnitude[lb/ft.F,ksf]	Start Location[ft,...]	End Location[ft, %]
142	M148	Z	0	0	0	%100
143	M147B	X	.027	.027	0	%100
144	M147B	Z	0	0	0	%100
145	M148B	X	.027	.027	0	%100
146	M148B	Z	0	0	0	%100
147	M153A	X	.027	.027	0	%100
148	M153A	Z	0	0	0	%100
149	M154A	X	.027	.027	0	%100
150	M154A	Z	0	0	0	%100
151	M159	X	.027	.027	0	%100
152	M159	Z	0	0	0	%100
153	M160	X	.027	.027	0	%100
154	M160	Z	0	0	0	%100
155	MP3C	X	1.216	1.216	0	%100
156	MP3C	Z	0	0	0	%100
157	R2	X	.962	.962	0	%100
158	R2	Z	0	0	0	%100

Member Distributed Loads (BLC 57 : Structure Wi (120 Deg))

	Member Label	Direction	Start Magnitude[lb/ft.F,ksf]	End Magnitude[lb/ft.F,ksf]	Start Location[ft,...]	End Location[ft, %]
1	M1	X	.475	.475	0	%100
2	M1	Z	.274	.274	0	%100
3	M3	X	1.386	1.386	0	%100
4	M3	Z	.8	.8	0	%100
5	M4	X	1.058	1.058	0	%100
6	M4	Z	.611	.611	0	%100
7	M5	X	.108	.108	0	%100
8	M5	Z	.062	.062	0	%100
9	M7	X	.818	.818	0	%100
10	M7	Z	.472	.472	0	%100
11	M8	X	3.708	3.708	0	%100
12	M8	Z	2.141	2.141	0	%100
13	M30	X	1.254	1.254	0	%100
14	M30	Z	.724	.724	0	%100
15	M31	X	1.254	1.254	0	%100
16	M31	Z	.724	.724	0	%100
17	M33A	X	.477	.477	0	%100
18	M33A	Z	.275	.275	0	%100
19	MP1A	X	1.026	1.026	0	%100
20	MP1A	Z	.592	.592	0	%100
21	MP2A	X	1.026	1.026	0	%100
22	MP2A	Z	.592	.592	0	%100
23	MP3A	X	1.026	1.026	0	%100
24	MP3A	Z	.592	.592	0	%100
25	MP4A	X	1.026	1.026	0	%100
26	MP4A	Z	.592	.592	0	%100
27	R1	X	1.006	1.006	0	%100
28	R1	Z	.581	.581	0	%100
29	M52	X	1.359	1.359	0	%100
30	M52	Z	.785	.785	0	%100
31	M53	X	1.359	1.359	0	%100
32	M53	Z	.785	.785	0	%100
33	M55	X	.374	.374	0	%100
34	M55	Z	.216	.216	0	%100
35	M73A	X	.002	.002	0	%100
36	M73A	Z	.001	.001	0	%100



Member Distributed Loads (BLC 57 : Structure Wi (120 Deg)) (Continued)

	Member Label	Direction	Start Magnitude[lb/ft.F,ksf]	End Magnitude[lb/ft.F,ksf]	Start Location[ft....]	End Location[ft.%,]
37	M74A	X	.002	.002	0	%100
38	M74A	Z	.001	.001	0	%100
39	M76A	X	1.697	1.697	0	%100
40	M76A	Z	.98	.98	0	%100
41	M81A	X	.892	.892	0	%100
42	M81A	Z	.515	.515	0	%100
43	M80	X	.373	.373	0	%100
44	M80	Z	.215	.215	0	%100
45	M81B	X	1.69	1.69	0	%100
46	M81B	Z	.976	.976	0	%100
47	MP1C	X	1.026	1.026	0	%100
48	MP1C	Z	.592	.592	0	%100
49	MP2C	X	1.026	1.026	0	%100
50	MP2C	Z	.592	.592	0	%100
51	MP32C	X	1.026	1.026	0	%100
52	MP32C	Z	.592	.592	0	%100
53	MP1B	X	1.026	1.026	0	%100
54	MP1B	Z	.592	.592	0	%100
55	MP2B	X	1.026	1.026	0	%100
56	MP2B	Z	.592	.592	0	%100
57	MP3B	X	1.026	1.026	0	%100
58	MP3B	Z	.592	.592	0	%100
59	MP4B	X	1.026	1.026	0	%100
60	MP4B	Z	.592	.592	0	%100
61	M81D	X	1.503	1.503	0	%100
62	M81D	Z	.868	.868	0	%100
63	M82C	X	.831	.831	0	%100
64	M82C	Z	.48	.48	0	%100
65	M83D	X	3.708	3.708	0	%100
66	M83D	Z	2.141	2.141	0	%100
67	M84C	X	1.043	1.043	0	%100
68	M84C	Z	.602	.602	0	%100
69	M87A	X	.002	.002	0	%100
70	M87A	Z	.001	.001	0	%100
71	M88A	X	3.764	3.764	0	%100
72	M88A	Z	2.173	2.173	0	%100
73	M89A	X	1.043	1.043	0	%100
74	M89A	Z	.602	.602	0	%100
75	M90A	X	.818	.818	0	%100
76	M90A	Z	.472	.472	0	%100
77	M87	X	.7	.7	0	%100
78	M87	Z	.404	.404	0	%100
79	M92A	X	3.173	3.173	0	%100
80	M92A	Z	1.832	1.832	0	%100
81	M95	X	.558	.558	0	%100
82	M95	Z	.322	.322	0	%100
83	M96	X	.438	.438	0	%100
84	M96	Z	.253	.253	0	%100
85	M97	X	1.986	1.986	0	%100
86	M97	Z	1.147	1.147	0	%100
87	M98	X	1.281	1.281	0	%100
88	M98	Z	.74	.74	0	%100
89	M99	X	1.281	1.281	0	%100
90	M99	Z	.74	.74	0	%100
91	M100	X	1.281	1.281	0	%100
92	M100	Z	.74	.74	0	%100
93	M101	X	1.281	1.281	0	%100



Member Distributed Loads (BLC 57 : Structure Wi (120 Deg)) (Continued)

	Member Label	Direction	Start Magnitude[lb/ft.F,ksfl]	End Magnitude[lb/ft.F,ksfl]	Start Location[ft,...]	End Location[ft, %]
94	M101	Z	.74	.74	0	%100
95	M102	X	1.281	1.281	0	%100
96	M102	Z	.74	.74	0	%100
97	M103	X	1.281	1.281	0	%100
98	M103	Z	.74	.74	0	%100
99	M104	X	1.281	1.281	0	%100
100	M104	Z	.74	.74	0	%100
101	M105	X	1.281	1.281	0	%100
102	M105	Z	.74	.74	0	%100
103	M106	X	1.281	1.281	0	%100
104	M106	Z	.74	.74	0	%100
105	M107	X	1.281	1.281	0	%100
106	M107	Z	.74	.74	0	%100
107	M108	X	1.281	1.281	0	%100
108	M108	Z	.74	.74	0	%100
109	M109	X	1.281	1.281	0	%100
110	M109	Z	.74	.74	0	%100
111	M110	X	.784	.784	0	%100
112	M110	Z	.453	.453	0	%100
113	M111	X	.784	.784	0	%100
114	M111	Z	.453	.453	0	%100
115	M112	X	1.394	1.394	0	%100
116	M112	Z	.805	.805	0	%100
117	M113	X	1.394	1.394	0	%100
118	M113	Z	.805	.805	0	%100
119	M114	X	.733	.733	0	%100
120	M114	Z	.423	.423	0	%100
121	M118	X	.195	.195	0	%100
122	M118	Z	.112	.112	0	%100
123	M125A	X	.883	.883	0	%100
124	M125A	Z	.51	.51	0	%100
125	M126A	X	.248	.248	0	%100
126	M126A	Z	.143	.143	0	%100
127	M125B	X	.293	.293	0	%100
128	M125B	Z	.169	.169	0	%100
129	M126B	X	.23	.23	0	%100
130	M126B	Z	.133	.133	0	%100
131	M127	X	1.043	1.043	0	%100
132	M127	Z	.602	.602	0	%100
133	M128A	X	.098	.098	0	%100
134	M128A	Z	.057	.057	0	%100
135	M131	X	.077	.077	0	%100
136	M131	Z	.044	.044	0	%100
137	M134	X	.349	.349	0	%100
138	M134	Z	.201	.201	0	%100
139	M139A	X	.085	.085	0	%100
140	M139A	Z	.049	.049	0	%100
141	M148	X	.385	.385	0	%100
142	M148	Z	.222	.222	0	%100
143	M147B	X	.023	.023	0	%100
144	M147B	Z	.014	.014	0	%100
145	M148B	X	.023	.023	0	%100
146	M148B	Z	.014	.014	0	%100
147	M153A	X	.023	.023	0	%100
148	M153A	Z	.014	.014	0	%100
149	M154A	X	.023	.023	0	%100
150	M154A	Z	.014	.014	0	%100



Member Distributed Loads (BLC 57 : Structure Wi (120 Deg)) (Continued)

	Member Label	Direction	Start Magnitude[lb/ft.F,ksf]	End Magnitude[lb/ft.F,ksf]	Start Location[ft,...]	End Location[ft, %]
151	M159	X	.023	.023	0	%100
152	M159	Z	.014	.014	0	%100
153	M160	X	.023	.023	0	%100
154	M160	Z	.014	.014	0	%100
155	MP3C	X	1.026	1.026	0	%100
156	MP3C	Z	.592	.592	0	%100
157	R2	X	.818	.818	0	%100
158	R2	Z	.472	.472	0	%100

Member Distributed Loads (BLC 58 : Structure Wi (150 Deg))

	Member Label	Direction	Start Magnitude[lb/ft.F,ksf]	End Magnitude[lb/ft.F,ksf]	Start Location[ft,...]	End Location[ft, %]
1	M1	X	.761	.761	0	%100
2	M1	Z	1.319	1.319	0	%100
3	M3	X	.245	.245	0	%100
4	M3	Z	.425	.425	0	%100
5	M4	X	1.696	1.696	0	%100
6	M4	Z	2.938	2.938	0	%100
7	M5	X	.173	.173	0	%100
8	M5	Z	.3	.3	0	%100
9	M7	X	.003	.003	0	%100
10	M7	Z	.005	.005	0	%100
11	M8	X	1.542	1.542	0	%100
12	M8	Z	2.67	2.67	0	%100
13	M30	X	.222	.222	0	%100
14	M30	Z	.384	.384	0	%100
15	M31	X	.222	.222	0	%100
16	M31	Z	.384	.384	0	%100
17	M33A	X	.765	.765	0	%100
18	M33A	Z	1.324	1.324	0	%100
19	MP1A	X	.561	.561	0	%100
20	MP1A	Z	.971	.971	0	%100
21	MP2A	X	.561	.561	0	%100
22	MP2A	Z	.971	.971	0	%100
23	MP3A	X	.561	.561	0	%100
24	MP3A	Z	.971	.971	0	%100
25	MP4A	X	.561	.561	0	%100
26	MP4A	Z	.971	.971	0	%100
27	R1	X	.557	.557	0	%100
28	R1	Z	.964	.964	0	%100
29	M52	X	1.005	1.005	0	%100
30	M52	Z	1.741	1.741	0	%100
31	M53	X	1.005	1.005	0	%100
32	M53	Z	1.741	1.741	0	%100
33	M55	X	.001	.001	0	%100
34	M55	Z	.002	.002	0	%100
35	M73A	X	.283	.283	0	%100
36	M73A	Z	.49	.49	0	%100
37	M74A	X	.283	.283	0	%100
38	M74A	Z	.49	.49	0	%100
39	M76A	X	.705	.705	0	%100
40	M76A	Z	1.222	1.222	0	%100
41	M81A	X	1.43	1.43	0	%100
42	M81A	Z	2.477	2.477	0	%100
43	M80	X	.001	.001	0	%100
44	M80	Z	.002	.002	0	%100
45	M81B	X	.702	.702	0	%100



Member Distributed Loads (BLC 58 : Structure Wi (150 Deg)) (Continued)

Member Label	Direction	Start Magnitude[lb/ft.F,ksfl]	End Magnitude[lb/ft.F,ksfl]	Start Location[ft,...]	End Location[ft, %]
46	M81B	Z	1.217	1.217	0 %100
47	MP1C	X	.561	.561	0 %100
48	MP1C	Z	.971	.971	0 %100
49	MP2C	X	.561	.561	0 %100
50	MP2C	Z	.971	.971	0 %100
51	MP32C	X	.561	.561	0 %100
52	MP32C	Z	.971	.971	0 %100
53	MP1B	X	.561	.561	0 %100
54	MP1B	Z	.971	.971	0 %100
55	MP2B	X	.561	.561	0 %100
56	MP2B	Z	.971	.971	0 %100
57	MP3B	X	.561	.561	0 %100
58	MP3B	Z	.971	.971	0 %100
59	MP4B	X	.561	.561	0 %100
60	MP4B	Z	.971	.971	0 %100
61	M81D	X	1.111	1.111	0 %100
62	M81D	Z	1.925	1.925	0 %100
63	M82C	X	.003	.003	0 %100
64	M82C	Z	.005	.005	0 %100
65	M83D	X	1.542	1.542	0 %100
66	M83D	Z	2.67	2.67	0 %100
67	M84C	X	1.671	1.671	0 %100
68	M84C	Z	2.895	2.895	0 %100
69	M87A	X	.313	.313	0 %100
70	M87A	Z	.541	.541	0 %100
71	M88A	X	1.565	1.565	0 %100
72	M88A	Z	2.71	2.71	0 %100
73	M89A	X	1.671	1.671	0 %100
74	M89A	Z	2.895	2.895	0 %100
75	M90A	X	.003	.003	0 %100
76	M90A	Z	.005	.005	0 %100
77	M87	X	.002	.002	0 %100
78	M87	Z	.004	.004	0 %100
79	M92A	X	1.319	1.319	0 %100
80	M92A	Z	2.285	2.285	0 %100
81	M95	X	.895	.895	0 %100
82	M95	Z	1.55	1.55	0 %100
83	M96	X	.001	.001	0 %100
84	M96	Z	.002	.002	0 %100
85	M97	X	.826	.826	0 %100
86	M97	Z	1.43	1.43	0 %100
87	M98	X	.74	.74	0 %100
88	M98	Z	1.281	1.281	0 %100
89	M99	X	.74	.74	0 %100
90	M99	Z	1.281	1.281	0 %100
91	M100	X	.74	.74	0 %100
92	M100	Z	1.281	1.281	0 %100
93	M101	X	.74	.74	0 %100
94	M101	Z	1.281	1.281	0 %100
95	M102	X	.74	.74	0 %100
96	M102	Z	1.281	1.281	0 %100
97	M103	X	.74	.74	0 %100
98	M103	Z	1.281	1.281	0 %100
99	M104	X	.74	.74	0 %100
100	M104	Z	1.281	1.281	0 %100
101	M105	X	.74	.74	0 %100
102	M105	Z	1.281	1.281	0 %100



Member Distributed Loads (BLC 58 : Structure Wi (150 Deg)) (Continued)

	Member Label	Direction	Start Magnitude[lb/ft.F,ksf]	End Magnitude[lb/ft.F,ksf]	Start Location[ft....]	End Location[ft.-%]
103	M106	X	.74	.74	0	%100
104	M106	Z	1.281	1.281	0	%100
105	M107	X	.74	.74	0	%100
106	M107	Z	1.281	1.281	0	%100
107	M108	X	.74	.74	0	%100
108	M108	Z	1.281	1.281	0	%100
109	M109	X	.74	.74	0	%100
110	M109	Z	1.281	1.281	0	%100
111	M110	X	.697	.697	0	%100
112	M110	Z	1.208	1.208	0	%100
113	M111	X	.697	.697	0	%100
114	M111	Z	1.208	1.208	0	%100
115	M112	X	.668	.668	0	%100
116	M112	Z	1.156	1.156	0	%100
117	M113	X	.668	.668	0	%100
118	M113	Z	1.156	1.156	0	%100
119	M114	X	.316	.316	0	%100
120	M114	Z	.547	.547	0	%100
121	M118	X	.000622	.000622	0	%100
122	M118	Z	.001	.001	0	%100
123	M125A	X	.367	.367	0	%100
124	M125A	Z	.636	.636	0	%100
125	M126A	X	.398	.398	0	%100
126	M126A	Z	.689	.689	0	%100
127	M125B	X	.47	.47	0	%100
128	M125B	Z	.814	.814	0	%100
129	M126B	X	.000734	.000734	0	%100
130	M126B	Z	.001	.001	0	%100
131	M127	X	.434	.434	0	%100
132	M127	Z	.751	.751	0	%100
133	M128A	X	.157	.157	0	%100
134	M128A	Z	.272	.272	0	%100
135	M131	X	.000246	.000246	0	%100
136	M131	Z	.000425	.000425	0	%100
137	M134	X	.145	.145	0	%100
138	M134	Z	.251	.251	0	%100
139	M139A	X	.000271	.000271	0	%100
140	M139A	Z	.000469	.000469	0	%100
141	M148	X	.16	.16	0	%100
142	M148	Z	.277	.277	0	%100
143	M147B	X	.101	.101	0	%100
144	M147B	Z	.175	.175	0	%100
145	M148B	X	.101	.101	0	%100
146	M148B	Z	.175	.175	0	%100
147	M153A	X	.101	.101	0	%100
148	M153A	Z	.175	.175	0	%100
149	M154A	X	.101	.101	0	%100
150	M154A	Z	.175	.175	0	%100
151	M159	X	.101	.101	0	%100
152	M159	Z	.175	.175	0	%100
153	M160	X	.101	.101	0	%100
154	M160	Z	.175	.175	0	%100
155	MP3C	X	.561	.561	0	%100
156	MP3C	Z	.971	.971	0	%100
157	R2	X	.455	.455	0	%100
158	R2	Z	.789	.789	0	%100



Member Distributed Loads (BLC 59 : Structure Wi (180 Deg))

	Member Label	Direction	Start Magnitude[lb/ft.F,ksf]	End Magnitude[lb/ft.F,ksf]	Start Location[ft....]	End Location[ft.-%]
1	M1	X	0	0	0	%100
2	M1	Z	1.951	1.951	0	%100
3	M3	X	0	0	0	%100
4	M3	Z	.003	.003	0	%100
5	M4	X	0	0	0	%100
6	M4	Z	4.346	4.346	0	%100
7	M5	X	0	0	0	%100
8	M5	Z	.444	.444	0	%100
9	M7	X	0	0	0	%100
10	M7	Z	1.204	1.204	0	%100
11	M8	X	0	0	0	%100
12	M8	Z	.945	.945	0	%100
13	M30	X	0	0	0	%100
14	M30	Z	.002	.002	0	%100
15	M31	X	0	0	0	%100
16	M31	Z	.002	.002	0	%100
17	M33A	X	0	0	0	%100
18	M33A	Z	1.959	1.959	0	%100
19	MP1A	X	0	0	0	%100
20	MP1A	Z	1.089	1.089	0	%100
21	MP2A	X	0	0	0	%100
22	MP2A	Z	1.089	1.089	0	%100
23	MP3A	X	0	0	0	%100
24	MP3A	Z	1.089	1.089	0	%100
25	MP4A	X	0	0	0	%100
26	MP4A	Z	1.089	1.089	0	%100
27	R1	X	0	0	0	%100
28	R1	Z	1.089	1.089	0	%100
29	M52	X	0	0	0	%100
30	M52	Z	1.448	1.448	0	%100
31	M53	X	0	0	0	%100
32	M53	Z	1.448	1.448	0	%100
33	M55	X	0	0	0	%100
34	M55	Z	.551	.551	0	%100
35	M73A	X	0	0	0	%100
36	M73A	Z	1.569	1.569	0	%100
37	M74A	X	0	0	0	%100
38	M74A	Z	1.569	1.569	0	%100
39	M76A	X	0	0	0	%100
40	M76A	Z	.432	.432	0	%100
41	M81A	X	0	0	0	%100
42	M81A	Z	3.664	3.664	0	%100
43	M80	X	0	0	0	%100
44	M80	Z	.549	.549	0	%100
45	M81B	X	0	0	0	%100
46	M81B	Z	.431	.431	0	%100
47	MP1C	X	0	0	0	%100
48	MP1C	Z	1.089	1.089	0	%100
49	MP2C	X	0	0	0	%100
50	MP2C	Z	1.089	1.089	0	%100
51	MP32C	X	0	0	0	%100
52	MP32C	Z	1.089	1.089	0	%100
53	MP1B	X	0	0	0	%100
54	MP1B	Z	1.089	1.089	0	%100
55	MP2B	X	0	0	0	%100
56	MP2B	Z	1.089	1.089	0	%100
57	MP3B	X	0	0	0	%100



Member Distributed Loads (BLC 59 : Structure Wi (180 Deg)) (Continued)

Member Label	Direction	Start Magnitude[lb/ft.F,ksf]	End Magnitude[lb/ft.F,ksf]	Start Location[ft....]	End Location[ft.-%]
58	MP3B	Z	1.089	1.089	0 %100
59	MP4B	X	0	0	0 %100
60	MP4B	Z	1.089	1.089	0 %100
61	M81D	X	0	0	0 %100
62	M81D	Z	1.601	1.601	0 %100
63	M82C	X	0	0	0 %100
64	M82C	Z	1.222	1.222	0 %100
65	M83D	X	0	0	0 %100
66	M83D	Z	.945	.945	0 %100
67	M84C	X	0	0	0 %100
68	M84C	Z	4.282	4.282	0 %100
69	M87A	X	0	0	0 %100
70	M87A	Z	1.735	1.735	0 %100
71	M88A	X	0	0	0 %100
72	M88A	Z	.959	.959	0 %100
73	M89A	X	0	0	0 %100
74	M89A	Z	4.282	4.282	0 %100
75	M90A	X	0	0	0 %100
76	M90A	Z	1.204	1.204	0 %100
77	M87	X	0	0	0 %100
78	M87	Z	1.03	1.03	0 %100
79	M92A	X	0	0	0 %100
80	M92A	Z	.808	.808	0 %100
81	M95	X	0	0	0 %100
82	M95	Z	2.294	2.294	0 %100
83	M96	X	0	0	0 %100
84	M96	Z	.645	.645	0 %100
85	M97	X	0	0	0 %100
86	M97	Z	.506	.506	0 %100
87	M98	X	0	0	0 %100
88	M98	Z	1.479	1.479	0 %100
89	M99	X	0	0	0 %100
90	M99	Z	1.479	1.479	0 %100
91	M100	X	0	0	0 %100
92	M100	Z	1.479	1.479	0 %100
93	M101	X	0	0	0 %100
94	M101	Z	1.479	1.479	0 %100
95	M102	X	0	0	0 %100
96	M102	Z	1.479	1.479	0 %100
97	M103	X	0	0	0 %100
98	M103	Z	1.479	1.479	0 %100
99	M104	X	0	0	0 %100
100	M104	Z	1.479	1.479	0 %100
101	M105	X	0	0	0 %100
102	M105	Z	1.479	1.479	0 %100
103	M106	X	0	0	0 %100
104	M106	Z	1.479	1.479	0 %100
105	M107	X	0	0	0 %100
106	M107	Z	1.479	1.479	0 %100
107	M108	X	0	0	0 %100
108	M108	Z	1.479	1.479	0 %100
109	M109	X	0	0	0 %100
110	M109	Z	1.479	1.479	0 %100
111	M110	X	0	0	0 %100
112	M110	Z	1.609	1.609	0 %100
113	M111	X	0	0	0 %100
114	M111	Z	1.609	1.609	0 %100



Member Distributed Loads (BLC 59 : Structure Wi (180 Deg)) (Continued)

	Member Label	Direction	Start Magnitude[lb/ft.F,ksf]	End Magnitude[lb/ft.F,ksf]	Start Location[ft....	End Location[ft.%,]
115	M112	X	0	0	0	%100
116	M112	Z	.847	.847	0	%100
117	M113	X	0	0	0	%100
118	M113	Z	.847	.847	0	%100
119	M114	X	0	0	0	%100
120	M114	Z	.906	.906	0	%100
121	M118	X	0	0	0	%100
122	M118	Z	.287	.287	0	%100
123	M125A	X	0	0	0	%100
124	M125A	Z	.225	.225	0	%100
125	M126A	X	0	0	0	%100
126	M126A	Z	1.02	1.02	0	%100
127	M125B	X	0	0	0	%100
128	M125B	Z	1.204	1.204	0	%100
129	M126B	X	0	0	0	%100
130	M126B	Z	.339	.339	0	%100
131	M127	X	0	0	0	%100
132	M127	Z	.266	.266	0	%100
133	M128A	X	0	0	0	%100
134	M128A	Z	.403	.403	0	%100
135	M131	X	0	0	0	%100
136	M131	Z	.113	.113	0	%100
137	M134	X	0	0	0	%100
138	M134	Z	.089	.089	0	%100
139	M139A	X	0	0	0	%100
140	M139A	Z	.125	.125	0	%100
141	M148	X	0	0	0	%100
142	M148	Z	.098	.098	0	%100
143	M147B	X	0	0	0	%100
144	M147B	Z	.377	.377	0	%100
145	M148B	X	0	0	0	%100
146	M148B	Z	.377	.377	0	%100
147	M153A	X	0	0	0	%100
148	M153A	Z	.377	.377	0	%100
149	M154A	X	0	0	0	%100
150	M154A	Z	.377	.377	0	%100
151	M159	X	0	0	0	%100
152	M159	Z	.377	.377	0	%100
153	M160	X	0	0	0	%100
154	M160	Z	.377	.377	0	%100
155	MP3C	X	0	0	0	%100
156	MP3C	Z	1.089	1.089	0	%100
157	R2	X	0	0	0	%100
158	R2	Z	.894	.894	0	%100

Member Distributed Loads (BLC 60 : Structure Wi (210 Deg))

	Member Label	Direction	Start Magnitude[lb/ft.F,ksf]	End Magnitude[lb/ft.F,ksf]	Start Location[ft....	End Location[ft.%,]
1	M1	X	-.702	-.702	0	%100
2	M1	Z	1.217	1.217	0	%100
3	M3	X	-.313	-.313	0	%100
4	M3	Z	.541	.541	0	%100
5	M4	X	-1.565	-1.565	0	%100
6	M4	Z	2.71	2.71	0	%100
7	M5	X	-.16	-.16	0	%100
8	M5	Z	.277	.277	0	%100
9	M7	X	-1.671	-1.671	0	%100



Member Distributed Loads (BLC 60 : Structure Wi (210 Deg)) (Continued)

	Member Label	Direction	Start Magnitude[lb/ft.F,ksf]	End Magnitude[lb/ft.F,ksf]	Start Location[ft,...]	End Location[ft, %]
10	M7	Z	2.895	2.895	0	%100
11	M8	X	-.003	-.003	0	%100
12	M8	Z	.005	.005	0	%100
13	M30	X	-.283	-.283	0	%100
14	M30	Z	.49	.49	0	%100
15	M31	X	-.283	-.283	0	%100
16	M31	Z	.49	.49	0	%100
17	M33A	X	-.705	-.705	0	%100
18	M33A	Z	1.222	1.222	0	%100
19	MP1A	X	-.561	-.561	0	%100
20	MP1A	Z	.971	.971	0	%100
21	MP2A	X	-.561	-.561	0	%100
22	MP2A	Z	.971	.971	0	%100
23	MP3A	X	-.561	-.561	0	%100
24	MP3A	Z	.971	.971	0	%100
25	MP4A	X	-.561	-.561	0	%100
26	MP4A	Z	.971	.971	0	%100
27	R1	X	-.557	-.557	0	%100
28	R1	Z	.964	.964	0	%100
29	M52	X	-.222	-.222	0	%100
30	M52	Z	.384	.384	0	%100
31	M53	X	-.222	-.222	0	%100
32	M53	Z	.384	.384	0	%100
33	M55	X	-.765	-.765	0	%100
34	M55	Z	1.324	1.324	0	%100
35	M73A	X	-1.005	-1.005	0	%100
36	M73A	Z	1.741	1.741	0	%100
37	M74A	X	-1.005	-1.005	0	%100
38	M74A	Z	1.741	1.741	0	%100
39	M76A	X	-.001	-.001	0	%100
40	M76A	Z	.002	.002	0	%100
41	M81A	X	-1.319	-1.319	0	%100
42	M81A	Z	2.285	2.285	0	%100
43	M80	X	-.761	-.761	0	%100
44	M80	Z	1.319	1.319	0	%100
45	M81B	X	-.001	-.001	0	%100
46	M81B	Z	.002	.002	0	%100
47	MP1C	X	-.561	-.561	0	%100
48	MP1C	Z	.971	.971	0	%100
49	MP2C	X	-.561	-.561	0	%100
50	MP2C	Z	.971	.971	0	%100
51	MP32C	X	-.561	-.561	0	%100
52	MP32C	Z	.971	.971	0	%100
53	MP1B	X	-.561	-.561	0	%100
54	MP1B	Z	.971	.971	0	%100
55	MP2B	X	-.561	-.561	0	%100
56	MP2B	Z	.971	.971	0	%100
57	MP3B	X	-.561	-.561	0	%100
58	MP3B	Z	.971	.971	0	%100
59	MP4B	X	-.561	-.561	0	%100
60	MP4B	Z	.971	.971	0	%100
61	M81D	X	-.245	-.245	0	%100
62	M81D	Z	.425	.425	0	%100
63	M82C	X	-1.696	-1.696	0	%100
64	M82C	Z	2.938	2.938	0	%100
65	M83D	X	-.003	-.003	0	%100
66	M83D	Z	.005	.005	0	%100



Member Distributed Loads (BLC 60 : Structure Wi (210 Deg)) (Continued)

	Member Label	Direction	Start Magnitude[lb/ft.F,ksf]	End Magnitude[lb/ft.F,ksf]	Start Location[ft....]	End Location[ft.%]
67	M84C	X	-1.542	-1.542	0	%100
68	M84C	Z	2.67	2.67	0	%100
69	M87A	X	-1.111	-1.111	0	%100
70	M87A	Z	1.925	1.925	0	%100
71	M88A	X	-.003	-.003	0	%100
72	M88A	Z	.005	.005	0	%100
73	M89A	X	-1.542	-1.542	0	%100
74	M89A	Z	2.67	2.67	0	%100
75	M90A	X	-1.671	-1.671	0	%100
76	M90A	Z	2.895	2.895	0	%100
77	M87	X	-1.43	-1.43	0	%100
78	M87	Z	2.477	2.477	0	%100
79	M92A	X	-.002	-.002	0	%100
80	M92A	Z	.004	.004	0	%100
81	M95	X	-.826	-.826	0	%100
82	M95	Z	1.43	1.43	0	%100
83	M96	X	-.895	-.895	0	%100
84	M96	Z	1.55	1.55	0	%100
85	M97	X	-.001	-.001	0	%100
86	M97	Z	.002	.002	0	%100
87	M98	X	-.74	-.74	0	%100
88	M98	Z	1.281	1.281	0	%100
89	M99	X	-.74	-.74	0	%100
90	M99	Z	1.281	1.281	0	%100
91	M100	X	-.74	-.74	0	%100
92	M100	Z	1.281	1.281	0	%100
93	M101	X	-.74	-.74	0	%100
94	M101	Z	1.281	1.281	0	%100
95	M102	X	-.74	-.74	0	%100
96	M102	Z	1.281	1.281	0	%100
97	M103	X	-.74	-.74	0	%100
98	M103	Z	1.281	1.281	0	%100
99	M104	X	-.74	-.74	0	%100
100	M104	Z	1.281	1.281	0	%100
101	M105	X	-.74	-.74	0	%100
102	M105	Z	1.281	1.281	0	%100
103	M106	X	-.74	-.74	0	%100
104	M106	Z	1.281	1.281	0	%100
105	M107	X	-.74	-.74	0	%100
106	M107	Z	1.281	1.281	0	%100
107	M108	X	-.74	-.74	0	%100
108	M108	Z	1.281	1.281	0	%100
109	M109	X	-.74	-.74	0	%100
110	M109	Z	1.281	1.281	0	%100
111	M110	X	-.668	-.668	0	%100
112	M110	Z	1.156	1.156	0	%100
113	M111	X	-.668	-.668	0	%100
114	M111	Z	1.156	1.156	0	%100
115	M112	X	-.316	-.316	0	%100
116	M112	Z	.547	.547	0	%100
117	M113	X	-.316	-.316	0	%100
118	M113	Z	.547	.547	0	%100
119	M114	X	-.697	-.697	0	%100
120	M114	Z	1.208	1.208	0	%100
121	M118	X	-.398	-.398	0	%100
122	M118	Z	.689	.689	0	%100
123	M125A	X	-.000622	-.000622	0	%100



Member Distributed Loads (BLC 60 : Structure Wi (210 Deg)) (Continued)

	Member Label	Direction	Start Magnitude[lb/ft.F,ksf]	End Magnitude[lb/ft.F,ksf]	Start Location[ft,...]	End Location[ft, %]
124	M125A	Z	.001	.001	0	%100
125	M126A	X	-.367	-.367	0	%100
126	M126A	Z	.636	.636	0	%100
127	M125B	X	-.434	-.434	0	%100
128	M125B	Z	.751	.751	0	%100
129	M126B	X	-.47	-.47	0	%100
130	M126B	Z	.814	.814	0	%100
131	M127	X	-.000734	-.000734	0	%100
132	M127	Z	.001	.001	0	%100
133	M128A	X	-.145	-.145	0	%100
134	M128A	Z	.251	.251	0	%100
135	M131	X	-.157	-.157	0	%100
136	M131	Z	.272	.272	0	%100
137	M134	X	-.000246	-.000246	0	%100
138	M134	Z	.000425	.000425	0	%100
139	M139A	X	-.173	-.173	0	%100
140	M139A	Z	.3	.3	0	%100
141	M148	X	-.000271	-.000271	0	%100
142	M148	Z	.000469	.000469	0	%100
143	M147B	X	-.188	-.188	0	%100
144	M147B	Z	.326	.326	0	%100
145	M148B	X	-.188	-.188	0	%100
146	M148B	Z	.326	.326	0	%100
147	M153A	X	-.188	-.188	0	%100
148	M153A	Z	.326	.326	0	%100
149	M154A	X	-.188	-.188	0	%100
150	M154A	Z	.326	.326	0	%100
151	M159	X	-.188	-.188	0	%100
152	M159	Z	.326	.326	0	%100
153	M160	X	-.188	-.188	0	%100
154	M160	Z	.326	.326	0	%100
155	MP3C	X	-.561	-.561	0	%100
156	MP3C	Z	.971	.971	0	%100
157	R2	X	-.455	-.455	0	%100
158	R2	Z	.789	.789	0	%100

Member Distributed Loads (BLC 61 : Structure Wi (240 Deg))

	Member Label	Direction	Start Magnitude[lb/ft.F,ksf]	End Magnitude[lb/ft.F,ksf]	Start Location[ft,...]	End Location[ft, %]
1	M1	X	-.373	-.373	0	%100
2	M1	Z	.215	.215	0	%100
3	M3	X	-1.503	-1.503	0	%100
4	M3	Z	.868	.868	0	%100
5	M4	X	-.831	-.831	0	%100
6	M4	Z	.48	.48	0	%100
7	M5	X	-.085	-.085	0	%100
8	M5	Z	.049	.049	0	%100
9	M7	X	-3.708	-3.708	0	%100
10	M7	Z	2.141	2.141	0	%100
11	M8	X	-1.043	-1.043	0	%100
12	M8	Z	.602	.602	0	%100
13	M30	X	-1.359	-1.359	0	%100
14	M30	Z	.785	.785	0	%100
15	M31	X	-1.359	-1.359	0	%100
16	M31	Z	.785	.785	0	%100
17	M33A	X	-.374	-.374	0	%100
18	M33A	Z	.216	.216	0	%100



Member Distributed Loads (BLC 61 : Structure Wi (240 Deg)) (Continued)

	Member Label	Direction	Start Magnitude[lb/ft.F,ksf]	End Magnitude[lb/ft.F,ksf]	Start Location[ft,...]	End Location[ft, %]
19	MP1A	X	-1.026	-1.026	0	%100
20	MP1A	Z	.592	.592	0	%100
21	MP2A	X	-1.026	-1.026	0	%100
22	MP2A	Z	.592	.592	0	%100
23	MP3A	X	-1.026	-1.026	0	%100
24	MP3A	Z	.592	.592	0	%100
25	MP4A	X	-1.026	-1.026	0	%100
26	MP4A	Z	.592	.592	0	%100
27	R1	X	-1.006	-1.006	0	%100
28	R1	Z	.581	.581	0	%100
29	M52	X	-.002	-.002	0	%100
30	M52	Z	.001	.001	0	%100
31	M53	X	-.002	-.002	0	%100
32	M53	Z	.001	.001	0	%100
33	M55	X	-1.697	-1.697	0	%100
34	M55	Z	.98	.98	0	%100
35	M73A	X	-1.254	-1.254	0	%100
36	M73A	Z	.724	.724	0	%100
37	M74A	X	-1.254	-1.254	0	%100
38	M74A	Z	.724	.724	0	%100
39	M76A	X	-.477	-.477	0	%100
40	M76A	Z	.275	.275	0	%100
41	M81A	X	-.7	-.7	0	%100
42	M81A	Z	.404	.404	0	%100
43	M80	X	-1.69	-1.69	0	%100
44	M80	Z	.976	.976	0	%100
45	M81B	X	-.475	-.475	0	%100
46	M81B	Z	.274	.274	0	%100
47	MP1C	X	-1.026	-1.026	0	%100
48	MP1C	Z	.592	.592	0	%100
49	MP2C	X	-1.026	-1.026	0	%100
50	MP2C	Z	.592	.592	0	%100
51	MP32C	X	-1.026	-1.026	0	%100
52	MP32C	Z	.592	.592	0	%100
53	MP1B	X	-1.026	-1.026	0	%100
54	MP1B	Z	.592	.592	0	%100
55	MP2B	X	-1.026	-1.026	0	%100
56	MP2B	Z	.592	.592	0	%100
57	MP3B	X	-1.026	-1.026	0	%100
58	MP3B	Z	.592	.592	0	%100
59	MP4B	X	-1.026	-1.026	0	%100
60	MP4B	Z	.592	.592	0	%100
61	M81D	X	-.002	-.002	0	%100
62	M81D	Z	.001	.001	0	%100
63	M82C	X	-3.764	-3.764	0	%100
64	M82C	Z	2.173	2.173	0	%100
65	M83D	X	-1.043	-1.043	0	%100
66	M83D	Z	.602	.602	0	%100
67	M84C	X	-.818	-.818	0	%100
68	M84C	Z	.472	.472	0	%100
69	M87A	X	-1.386	-1.386	0	%100
70	M87A	Z	.8	.8	0	%100
71	M88A	X	-1.058	-1.058	0	%100
72	M88A	Z	.611	.611	0	%100
73	M89A	X	-.818	-.818	0	%100
74	M89A	Z	.472	.472	0	%100
75	M90A	X	-3.708	-3.708	0	%100



Member Distributed Loads (BLC 61 : Structure Wi (240 Deg)) (Continued)

Member Label	Direction	Start Magnitude[lb/ft.F,ksfl]	End Magnitude[lb/ft.F,ksfl]	Start Location[ft,...]	End Location[ft, %]
76	M90A	Z	2.141	2.141	0 %100
77	M87	X	-3.173	-3.173	0 %100
78	M87	Z	1.832	1.832	0 %100
79	M92A	X	-.892	-.892	0 %100
80	M92A	Z	.515	.515	0 %100
81	M95	X	-.438	-.438	0 %100
82	M95	Z	.253	.253	0 %100
83	M96	X	-1.986	-1.986	0 %100
84	M96	Z	1.147	1.147	0 %100
85	M97	X	-.558	-.558	0 %100
86	M97	Z	.322	.322	0 %100
87	M98	X	-1.281	-1.281	0 %100
88	M98	Z	.74	.74	0 %100
89	M99	X	-1.281	-1.281	0 %100
90	M99	Z	.74	.74	0 %100
91	M100	X	-1.281	-1.281	0 %100
92	M100	Z	.74	.74	0 %100
93	M101	X	-1.281	-1.281	0 %100
94	M101	Z	.74	.74	0 %100
95	M102	X	-1.281	-1.281	0 %100
96	M102	Z	.74	.74	0 %100
97	M103	X	-1.281	-1.281	0 %100
98	M103	Z	.74	.74	0 %100
99	M104	X	-1.281	-1.281	0 %100
100	M104	Z	.74	.74	0 %100
101	M105	X	-1.281	-1.281	0 %100
102	M105	Z	.74	.74	0 %100
103	M106	X	-1.281	-1.281	0 %100
104	M106	Z	.74	.74	0 %100
105	M107	X	-1.281	-1.281	0 %100
106	M107	Z	.74	.74	0 %100
107	M108	X	-1.281	-1.281	0 %100
108	M108	Z	.74	.74	0 %100
109	M109	X	-1.281	-1.281	0 %100
110	M109	Z	.74	.74	0 %100
111	M110	X	-.733	-.733	0 %100
112	M110	Z	.423	.423	0 %100
113	M111	X	-.733	-.733	0 %100
114	M111	Z	.423	.423	0 %100
115	M112	X	-.784	-.784	0 %100
116	M112	Z	.453	.453	0 %100
117	M113	X	-.784	-.784	0 %100
118	M113	Z	.453	.453	0 %100
119	M114	X	-1.394	-1.394	0 %100
120	M114	Z	.805	.805	0 %100
121	M118	X	-.883	-.883	0 %100
122	M118	Z	.51	.51	0 %100
123	M125A	X	-.248	-.248	0 %100
124	M125A	Z	.143	.143	0 %100
125	M126A	X	-.195	-.195	0 %100
126	M126A	Z	.112	.112	0 %100
127	M125B	X	-.23	-.23	0 %100
128	M125B	Z	.133	.133	0 %100
129	M126B	X	-1.043	-1.043	0 %100
130	M126B	Z	.602	.602	0 %100
131	M127	X	-.293	-.293	0 %100
132	M127	Z	.169	.169	0 %100



Member Distributed Loads (BLC 61 : Structure Wi (240 Deg)) (Continued)

	Member Label	Direction	Start Magnitude[lb/ft.F,ksf]	End Magnitude[lb/ft.F,ksf]	Start Location[ft....]	End Location[ft.%,]
133	M128A	X	-.077	-.077	0	%100
134	M128A	Z	.044	.044	0	%100
135	M131	X	-.349	-.349	0	%100
136	M131	Z	.201	.201	0	%100
137	M134	X	-.098	-.098	0	%100
138	M134	Z	.057	.057	0	%100
139	M139A	X	-.385	-.385	0	%100
140	M139A	Z	.222	.222	0	%100
141	M148	X	-.108	-.108	0	%100
142	M148	Z	.062	.062	0	%100
143	M147B	X	-.175	-.175	0	%100
144	M147B	Z	.101	.101	0	%100
145	M148B	X	-.175	-.175	0	%100
146	M148B	Z	.101	.101	0	%100
147	M153A	X	-.175	-.175	0	%100
148	M153A	Z	.101	.101	0	%100
149	M154A	X	-.175	-.175	0	%100
150	M154A	Z	.101	.101	0	%100
151	M159	X	-.175	-.175	0	%100
152	M159	Z	.101	.101	0	%100
153	M160	X	-.175	-.175	0	%100
154	M160	Z	.101	.101	0	%100
155	MP3C	X	-1.026	-1.026	0	%100
156	MP3C	Z	.592	.592	0	%100
157	R2	X	-.818	-.818	0	%100
158	R2	Z	.472	.472	0	%100

Member Distributed Loads (BLC 62 : Structure Wi (270 Deg))

	Member Label	Direction	Start Magnitude[lb/ft.F,ksf]	End Magnitude[lb/ft.F,ksf]	Start Location[ft....]	End Location[ft.%,]
1	M1	X	-.002	-.002	0	%100
2	M1	Z	0	0	0	%100
3	M3	X	-2.223	-2.223	0	%100
4	M3	Z	0	0	0	%100
5	M4	X	-.005	-.005	0	%100
6	M4	Z	0	0	0	%100
7	M5	X	-.000542	-.000542	0	%100
8	M5	Z	0	0	0	%100
9	M7	X	-3.083	-3.083	0	%100
10	M7	Z	0	0	0	%100
11	M8	X	-3.342	-3.342	0	%100
12	M8	Z	0	0	0	%100
13	M30	X	-2.01	-2.01	0	%100
14	M30	Z	0	0	0	%100
15	M31	X	-2.01	-2.01	0	%100
16	M31	Z	0	0	0	%100
17	M33A	X	-.002	-.002	0	%100
18	M33A	Z	0	0	0	%100
19	MP1A	X	-1.216	-1.216	0	%100
20	MP1A	Z	0	0	0	%100
21	MP2A	X	-1.216	-1.216	0	%100
22	MP2A	Z	0	0	0	%100
23	MP3A	X	-1.216	-1.216	0	%100
24	MP3A	Z	0	0	0	%100
25	MP4A	X	-1.216	-1.216	0	%100
26	MP4A	Z	0	0	0	%100
27	R1	X	-1.186	-1.186	0	%100



Member Distributed Loads (BLC 62 : Structure Wi (270 Deg)) (Continued)

	Member Label	Direction	Start Magnitude[lb/ft.F,ksfl]	End Magnitude[lb/ft.F,ksfl]	Start Location[ft....]	End Location[ft.-%]
28	R1	Z	0	0	0	%100
29	M52	X	-0.565	-0.565	0	%100
30	M52	Z	0	0	0	%100
31	M53	X	-0.565	-0.565	0	%100
32	M53	Z	0	0	0	%100
33	M55	X	-1.411	-1.411	0	%100
34	M55	Z	0	0	0	%100
35	M73A	X	-0.444	-0.444	0	%100
36	M73A	Z	0	0	0	%100
37	M74A	X	-0.444	-0.444	0	%100
38	M74A	Z	0	0	0	%100
39	M76A	X	-1.529	-1.529	0	%100
40	M76A	Z	0	0	0	%100
41	M81A	X	-0.004	-0.004	0	%100
42	M81A	Z	0	0	0	%100
43	M80	X	-1.405	-1.405	0	%100
44	M80	Z	0	0	0	%100
45	M81B	X	-1.523	-1.523	0	%100
46	M81B	Z	0	0	0	%100
47	MP1C	X	-1.216	-1.216	0	%100
48	MP1C	Z	0	0	0	%100
49	MP2C	X	-1.216	-1.216	0	%100
50	MP2C	Z	0	0	0	%100
51	MP32C	X	-1.216	-1.216	0	%100
52	MP32C	Z	0	0	0	%100
53	MP1B	X	-1.216	-1.216	0	%100
54	MP1B	Z	0	0	0	%100
55	MP2B	X	-1.216	-1.216	0	%100
56	MP2B	Z	0	0	0	%100
57	MP3B	X	-1.216	-1.216	0	%100
58	MP3B	Z	0	0	0	%100
59	MP4B	X	-1.216	-1.216	0	%100
60	MP4B	Z	0	0	0	%100
61	M81D	X	-0.625	-0.625	0	%100
62	M81D	Z	0	0	0	%100
63	M82C	X	-3.129	-3.129	0	%100
64	M82C	Z	0	0	0	%100
65	M83D	X	-3.342	-3.342	0	%100
66	M83D	Z	0	0	0	%100
67	M84C	X	-0.005	-0.005	0	%100
68	M84C	Z	0	0	0	%100
69	M87A	X	-0.491	-0.491	0	%100
70	M87A	Z	0	0	0	%100
71	M88A	X	-3.392	-3.392	0	%100
72	M88A	Z	0	0	0	%100
73	M89A	X	-0.005	-0.005	0	%100
74	M89A	Z	0	0	0	%100
75	M90A	X	-3.083	-3.083	0	%100
76	M90A	Z	0	0	0	%100
77	M87	X	-2.638	-2.638	0	%100
78	M87	Z	0	0	0	%100
79	M92A	X	-2.86	-2.86	0	%100
80	M92A	Z	0	0	0	%100
81	M95	X	-0.003	-0.003	0	%100
82	M95	Z	0	0	0	%100
83	M96	X	-1.652	-1.652	0	%100
84	M96	Z	0	0	0	%100



Member Distributed Loads (BLC 62 : Structure Wi (270 Deg)) (Continued)

	Member Label	Direction	Start Magnitude[lb/ft.F,ksf]	End Magnitude[lb/ft.F,ksf]	Start Location[ft....]	End Location[ft.-%]
85	M97	X	-1.79	-1.79	0	%100
86	M97	Z	0	0	0	%100
87	M98	X	-1.479	-1.479	0	%100
88	M98	Z	0	0	0	%100
89	M99	X	-1.479	-1.479	0	%100
90	M99	Z	0	0	0	%100
91	M100	X	-1.479	-1.479	0	%100
92	M100	Z	0	0	0	%100
93	M101	X	-1.479	-1.479	0	%100
94	M101	Z	0	0	0	%100
95	M102	X	-1.479	-1.479	0	%100
96	M102	Z	0	0	0	%100
97	M103	X	-1.479	-1.479	0	%100
98	M103	Z	0	0	0	%100
99	M104	X	-1.479	-1.479	0	%100
100	M104	Z	0	0	0	%100
101	M105	X	-1.479	-1.479	0	%100
102	M105	Z	0	0	0	%100
103	M106	X	-1.479	-1.479	0	%100
104	M106	Z	0	0	0	%100
105	M107	X	-1.479	-1.479	0	%100
106	M107	Z	0	0	0	%100
107	M108	X	-1.479	-1.479	0	%100
108	M108	Z	0	0	0	%100
109	M109	X	-1.479	-1.479	0	%100
110	M109	Z	0	0	0	%100
111	M110	X	-0.632	-0.632	0	%100
112	M110	Z	0	0	0	%100
113	M111	X	-0.632	-0.632	0	%100
114	M111	Z	0	0	0	%100
115	M112	X	-1.395	-1.395	0	%100
116	M112	Z	0	0	0	%100
117	M113	X	-1.395	-1.395	0	%100
118	M113	Z	0	0	0	%100
119	M114	X	-1.335	-1.335	0	%100
120	M114	Z	0	0	0	%100
121	M118	X	-0.734	-0.734	0	%100
122	M118	Z	0	0	0	%100
123	M125A	X	-0.796	-0.796	0	%100
124	M125A	Z	0	0	0	%100
125	M126A	X	-0.001	-0.001	0	%100
126	M126A	Z	0	0	0	%100
127	M125B	X	-0.001	-0.001	0	%100
128	M125B	Z	0	0	0	%100
129	M126B	X	-0.867	-0.867	0	%100
130	M126B	Z	0	0	0	%100
131	M127	X	-0.94	-0.94	0	%100
132	M127	Z	0	0	0	%100
133	M128A	X	-0.000491	-0.000491	0	%100
134	M128A	Z	0	0	0	%100
135	M131	X	-0.29	-0.29	0	%100
136	M131	Z	0	0	0	%100
137	M134	X	-0.314	-0.314	0	%100
138	M134	Z	0	0	0	%100
139	M139A	X	-0.32	-0.32	0	%100
140	M139A	Z	0	0	0	%100
141	M148	X	-0.347	-0.347	0	%100



Member Distributed Loads (BLC 62 : Structure Wi (270 Deg)) (Continued)

	Member Label	Direction	Start Magnitude[lb/ft.F,ksf]	End Magnitude[lb/ft.F,ksf]	Start Location[ft,...]	End Location[ft, %]
142	M148	Z	0	0	0	%100
143	M147B	X	-0.027	-0.027	0	%100
144	M147B	Z	0	0	0	%100
145	M148B	X	-0.027	-0.027	0	%100
146	M148B	Z	0	0	0	%100
147	M153A	X	-0.027	-0.027	0	%100
148	M153A	Z	0	0	0	%100
149	M154A	X	-0.027	-0.027	0	%100
150	M154A	Z	0	0	0	%100
151	M159	X	-0.027	-0.027	0	%100
152	M159	Z	0	0	0	%100
153	M160	X	-0.027	-0.027	0	%100
154	M160	Z	0	0	0	%100
155	MP3C	X	-1.216	-1.216	0	%100
156	MP3C	Z	0	0	0	%100
157	R2	X	-0.962	-0.962	0	%100
158	R2	Z	0	0	0	%100

Member Distributed Loads (BLC 63 : Structure Wi (300 Deg))

	Member Label	Direction	Start Magnitude[lb/ft.F,ksf]	End Magnitude[lb/ft.F,ksf]	Start Location[ft,...]	End Location[ft, %]
1	M1	X	-0.475	-0.475	0	%100
2	M1	Z	-0.274	-0.274	0	%100
3	M3	X	-1.386	-1.386	0	%100
4	M3	Z	-0.8	-0.8	0	%100
5	M4	X	-1.058	-1.058	0	%100
6	M4	Z	-0.611	-0.611	0	%100
7	M5	X	-0.108	-0.108	0	%100
8	M5	Z	-0.062	-0.062	0	%100
9	M7	X	-0.818	-0.818	0	%100
10	M7	Z	-0.472	-0.472	0	%100
11	M8	X	-3.708	-3.708	0	%100
12	M8	Z	-2.141	-2.141	0	%100
13	M30	X	-1.254	-1.254	0	%100
14	M30	Z	-0.724	-0.724	0	%100
15	M31	X	-1.254	-1.254	0	%100
16	M31	Z	-0.724	-0.724	0	%100
17	M33A	X	-0.477	-0.477	0	%100
18	M33A	Z	-0.275	-0.275	0	%100
19	MP1A	X	-1.026	-1.026	0	%100
20	MP1A	Z	-0.592	-0.592	0	%100
21	MP2A	X	-1.026	-1.026	0	%100
22	MP2A	Z	-0.592	-0.592	0	%100
23	MP3A	X	-1.026	-1.026	0	%100
24	MP3A	Z	-0.592	-0.592	0	%100
25	MP4A	X	-1.026	-1.026	0	%100
26	MP4A	Z	-0.592	-0.592	0	%100
27	R1	X	-1.006	-1.006	0	%100
28	R1	Z	-0.581	-0.581	0	%100
29	M52	X	-1.359	-1.359	0	%100
30	M52	Z	-0.785	-0.785	0	%100
31	M53	X	-1.359	-1.359	0	%100
32	M53	Z	-0.785	-0.785	0	%100
33	M55	X	-0.374	-0.374	0	%100
34	M55	Z	-0.216	-0.216	0	%100
35	M73A	X	-0.002	-0.002	0	%100
36	M73A	Z	-0.001	-0.001	0	%100



Member Distributed Loads (BLC 63 : Structure Wi (300 Deg)) (Continued)

	Member Label	Direction	Start Magnitude[lb/ft.F,ksf]	End Magnitude[lb/ft.F,ksf]	Start Location[ft,...]	End Location[ft, %]
37	M74A	X	-0.02	-0.02	0	%100
38	M74A	Z	-0.01	-0.01	0	%100
39	M76A	X	-1.697	-1.697	0	%100
40	M76A	Z	-.98	-.98	0	%100
41	M81A	X	-.892	-.892	0	%100
42	M81A	Z	-.515	-.515	0	%100
43	M80	X	-.373	-.373	0	%100
44	M80	Z	-.215	-.215	0	%100
45	M81B	X	-1.69	-1.69	0	%100
46	M81B	Z	-.976	-.976	0	%100
47	MP1C	X	-1.026	-1.026	0	%100
48	MP1C	Z	-.592	-.592	0	%100
49	MP2C	X	-1.026	-1.026	0	%100
50	MP2C	Z	-.592	-.592	0	%100
51	MP32C	X	-1.026	-1.026	0	%100
52	MP32C	Z	-.592	-.592	0	%100
53	MP1B	X	-1.026	-1.026	0	%100
54	MP1B	Z	-.592	-.592	0	%100
55	MP2B	X	-1.026	-1.026	0	%100
56	MP2B	Z	-.592	-.592	0	%100
57	MP3B	X	-1.026	-1.026	0	%100
58	MP3B	Z	-.592	-.592	0	%100
59	MP4B	X	-1.026	-1.026	0	%100
60	MP4B	Z	-.592	-.592	0	%100
61	M81D	X	-1.503	-1.503	0	%100
62	M81D	Z	-.868	-.868	0	%100
63	M82C	X	-.831	-.831	0	%100
64	M82C	Z	-.48	-.48	0	%100
65	M83D	X	-3.708	-3.708	0	%100
66	M83D	Z	-2.141	-2.141	0	%100
67	M84C	X	-1.043	-1.043	0	%100
68	M84C	Z	-.602	-.602	0	%100
69	M87A	X	-.002	-.002	0	%100
70	M87A	Z	-.001	-.001	0	%100
71	M88A	X	-3.764	-3.764	0	%100
72	M88A	Z	-2.173	-2.173	0	%100
73	M89A	X	-1.043	-1.043	0	%100
74	M89A	Z	-.602	-.602	0	%100
75	M90A	X	-.818	-.818	0	%100
76	M90A	Z	-.472	-.472	0	%100
77	M87	X	-.7	-.7	0	%100
78	M87	Z	-.404	-.404	0	%100
79	M92A	X	-3.173	-3.173	0	%100
80	M92A	Z	-1.832	-1.832	0	%100
81	M95	X	-.558	-.558	0	%100
82	M95	Z	-.322	-.322	0	%100
83	M96	X	-.438	-.438	0	%100
84	M96	Z	-.253	-.253	0	%100
85	M97	X	-1.986	-1.986	0	%100
86	M97	Z	-1.147	-1.147	0	%100
87	M98	X	-1.281	-1.281	0	%100
88	M98	Z	-.74	-.74	0	%100
89	M99	X	-1.281	-1.281	0	%100
90	M99	Z	-.74	-.74	0	%100
91	M100	X	-1.281	-1.281	0	%100
92	M100	Z	-.74	-.74	0	%100
93	M101	X	-1.281	-1.281	0	%100



Member Distributed Loads (BLC 63 : Structure Wi (300 Deg)) (Continued)

	Member Label	Direction	Start Magnitude[lb/ft.F,ksfl]	End Magnitude[lb/ft.F,ksfl]	Start Location[ft,...]	End Location[ft, %]
94	M101	Z	-.74	-.74	0	%100
95	M102	X	-1.281	-1.281	0	%100
96	M102	Z	-.74	-.74	0	%100
97	M103	X	-1.281	-1.281	0	%100
98	M103	Z	-.74	-.74	0	%100
99	M104	X	-1.281	-1.281	0	%100
100	M104	Z	-.74	-.74	0	%100
101	M105	X	-1.281	-1.281	0	%100
102	M105	Z	-.74	-.74	0	%100
103	M106	X	-1.281	-1.281	0	%100
104	M106	Z	-.74	-.74	0	%100
105	M107	X	-1.281	-1.281	0	%100
106	M107	Z	-.74	-.74	0	%100
107	M108	X	-1.281	-1.281	0	%100
108	M108	Z	-.74	-.74	0	%100
109	M109	X	-1.281	-1.281	0	%100
110	M109	Z	-.74	-.74	0	%100
111	M110	X	-.784	-.784	0	%100
112	M110	Z	-.453	-.453	0	%100
113	M111	X	-.784	-.784	0	%100
114	M111	Z	-.453	-.453	0	%100
115	M112	X	-1.394	-1.394	0	%100
116	M112	Z	-.805	-.805	0	%100
117	M113	X	-1.394	-1.394	0	%100
118	M113	Z	-.805	-.805	0	%100
119	M114	X	-.733	-.733	0	%100
120	M114	Z	-.423	-.423	0	%100
121	M118	X	-.195	-.195	0	%100
122	M118	Z	-.112	-.112	0	%100
123	M125A	X	-.883	-.883	0	%100
124	M125A	Z	-.51	-.51	0	%100
125	M126A	X	-.248	-.248	0	%100
126	M126A	Z	-.143	-.143	0	%100
127	M125B	X	-.293	-.293	0	%100
128	M125B	Z	-.169	-.169	0	%100
129	M126B	X	-.23	-.23	0	%100
130	M126B	Z	-.133	-.133	0	%100
131	M127	X	-1.043	-1.043	0	%100
132	M127	Z	-.602	-.602	0	%100
133	M128A	X	-.098	-.098	0	%100
134	M128A	Z	-.057	-.057	0	%100
135	M131	X	-.077	-.077	0	%100
136	M131	Z	-.044	-.044	0	%100
137	M134	X	-.349	-.349	0	%100
138	M134	Z	-.201	-.201	0	%100
139	M139A	X	-.085	-.085	0	%100
140	M139A	Z	-.049	-.049	0	%100
141	M148	X	-.385	-.385	0	%100
142	M148	Z	-.222	-.222	0	%100
143	M147B	X	-.023	-.023	0	%100
144	M147B	Z	-.014	-.014	0	%100
145	M148B	X	-.023	-.023	0	%100
146	M148B	Z	-.014	-.014	0	%100
147	M153A	X	-.023	-.023	0	%100
148	M153A	Z	-.014	-.014	0	%100
149	M154A	X	-.023	-.023	0	%100
150	M154A	Z	-.014	-.014	0	%100



Member Distributed Loads (BLC 63 : Structure Wi (300 Deg)) (Continued)

	Member Label	Direction	Start Magnitude[lb/ft.F,ksf]	End Magnitude[lb/ft.F,ksf]	Start Location[ft,...]	End Location[ft, %]
151	M159	X	-0.23	-0.23	0	%100
152	M159	Z	-0.14	-0.14	0	%100
153	M160	X	-0.23	-0.23	0	%100
154	M160	Z	-0.14	-0.14	0	%100
155	MP3C	X	-1.026	-1.026	0	%100
156	MP3C	Z	-0.592	-0.592	0	%100
157	R2	X	-0.818	-0.818	0	%100
158	R2	Z	-0.472	-0.472	0	%100

Member Distributed Loads (BLC 64 : Structure Wi (330 Deg))

	Member Label	Direction	Start Magnitude[lb/ft.F,ksf]	End Magnitude[lb/ft.F,ksf]	Start Location[ft,...]	End Location[ft, %]
1	M1	X	-0.761	-0.761	0	%100
2	M1	Z	-1.319	-1.319	0	%100
3	M3	X	-0.245	-0.245	0	%100
4	M3	Z	-0.425	-0.425	0	%100
5	M4	X	-1.696	-1.696	0	%100
6	M4	Z	-2.938	-2.938	0	%100
7	M5	X	-0.173	-0.173	0	%100
8	M5	Z	-0.3	-0.3	0	%100
9	M7	X	-0.003	-0.003	0	%100
10	M7	Z	-0.005	-0.005	0	%100
11	M8	X	-1.542	-1.542	0	%100
12	M8	Z	-2.67	-2.67	0	%100
13	M30	X	-0.222	-0.222	0	%100
14	M30	Z	-0.384	-0.384	0	%100
15	M31	X	-0.222	-0.222	0	%100
16	M31	Z	-0.384	-0.384	0	%100
17	M33A	X	-0.765	-0.765	0	%100
18	M33A	Z	-1.324	-1.324	0	%100
19	MP1A	X	-0.561	-0.561	0	%100
20	MP1A	Z	-0.971	-0.971	0	%100
21	MP2A	X	-0.561	-0.561	0	%100
22	MP2A	Z	-0.971	-0.971	0	%100
23	MP3A	X	-0.561	-0.561	0	%100
24	MP3A	Z	-0.971	-0.971	0	%100
25	MP4A	X	-0.561	-0.561	0	%100
26	MP4A	Z	-0.971	-0.971	0	%100
27	R1	X	-0.557	-0.557	0	%100
28	R1	Z	-0.964	-0.964	0	%100
29	M52	X	-1.005	-1.005	0	%100
30	M52	Z	-1.741	-1.741	0	%100
31	M53	X	-1.005	-1.005	0	%100
32	M53	Z	-1.741	-1.741	0	%100
33	M55	X	-0.001	-0.001	0	%100
34	M55	Z	-0.002	-0.002	0	%100
35	M73A	X	-0.283	-0.283	0	%100
36	M73A	Z	-0.49	-0.49	0	%100
37	M74A	X	-0.283	-0.283	0	%100
38	M74A	Z	-0.49	-0.49	0	%100
39	M76A	X	-0.705	-0.705	0	%100
40	M76A	Z	-1.222	-1.222	0	%100
41	M81A	X	-1.43	-1.43	0	%100
42	M81A	Z	-2.477	-2.477	0	%100
43	M80	X	-0.001	-0.001	0	%100
44	M80	Z	-0.002	-0.002	0	%100
45	M81B	X	-0.702	-0.702	0	%100



Member Distributed Loads (BLC 64 : Structure Wi (330 Deg)) (Continued)

Member Label	Direction	Start Magnitude[lb/ft.F,ksfl]	End Magnitude[lb/ft.F,ksfl]	Start Location[ft,...]	End Location[ft, %]
46	M81B	Z	-1.217	-1.217	0 %100
47	MP1C	X	-.561	-.561	0 %100
48	MP1C	Z	-.971	-.971	0 %100
49	MP2C	X	-.561	-.561	0 %100
50	MP2C	Z	-.971	-.971	0 %100
51	MP32C	X	-.561	-.561	0 %100
52	MP32C	Z	-.971	-.971	0 %100
53	MP1B	X	-.561	-.561	0 %100
54	MP1B	Z	-.971	-.971	0 %100
55	MP2B	X	-.561	-.561	0 %100
56	MP2B	Z	-.971	-.971	0 %100
57	MP3B	X	-.561	-.561	0 %100
58	MP3B	Z	-.971	-.971	0 %100
59	MP4B	X	-.561	-.561	0 %100
60	MP4B	Z	-.971	-.971	0 %100
61	M81D	X	-1.111	-1.111	0 %100
62	M81D	Z	-1.925	-1.925	0 %100
63	M82C	X	-.003	-.003	0 %100
64	M82C	Z	-.005	-.005	0 %100
65	M83D	X	-1.542	-1.542	0 %100
66	M83D	Z	-2.67	-2.67	0 %100
67	M84C	X	-1.671	-1.671	0 %100
68	M84C	Z	-2.895	-2.895	0 %100
69	M87A	X	-.313	-.313	0 %100
70	M87A	Z	-.541	-.541	0 %100
71	M88A	X	-1.565	-1.565	0 %100
72	M88A	Z	-2.71	-2.71	0 %100
73	M89A	X	-1.671	-1.671	0 %100
74	M89A	Z	-2.895	-2.895	0 %100
75	M90A	X	-.003	-.003	0 %100
76	M90A	Z	-.005	-.005	0 %100
77	M87	X	-.002	-.002	0 %100
78	M87	Z	-.004	-.004	0 %100
79	M92A	X	-1.319	-1.319	0 %100
80	M92A	Z	-2.285	-2.285	0 %100
81	M95	X	-.895	-.895	0 %100
82	M95	Z	-1.55	-1.55	0 %100
83	M96	X	-.001	-.001	0 %100
84	M96	Z	-.002	-.002	0 %100
85	M97	X	-.826	-.826	0 %100
86	M97	Z	-1.43	-1.43	0 %100
87	M98	X	-.74	-.74	0 %100
88	M98	Z	-1.281	-1.281	0 %100
89	M99	X	-.74	-.74	0 %100
90	M99	Z	-1.281	-1.281	0 %100
91	M100	X	-.74	-.74	0 %100
92	M100	Z	-1.281	-1.281	0 %100
93	M101	X	-.74	-.74	0 %100
94	M101	Z	-1.281	-1.281	0 %100
95	M102	X	-.74	-.74	0 %100
96	M102	Z	-1.281	-1.281	0 %100
97	M103	X	-.74	-.74	0 %100
98	M103	Z	-1.281	-1.281	0 %100
99	M104	X	-.74	-.74	0 %100
100	M104	Z	-1.281	-1.281	0 %100
101	M105	X	-.74	-.74	0 %100
102	M105	Z	-1.281	-1.281	0 %100



Member Distributed Loads (BLC 64 : Structure Wi (330 Deg)) (Continued)

	Member Label	Direction	Start Magnitude[lb/ft.F,ksf]	End Magnitude[lb/ft.F,ksf]	Start Location[ft....]	End Location[ft.-%]
103	M106	X	-.74	-.74	0	%100
104	M106	Z	-1.281	-1.281	0	%100
105	M107	X	-.74	-.74	0	%100
106	M107	Z	-1.281	-1.281	0	%100
107	M108	X	-.74	-.74	0	%100
108	M108	Z	-1.281	-1.281	0	%100
109	M109	X	-.74	-.74	0	%100
110	M109	Z	-1.281	-1.281	0	%100
111	M110	X	-.697	-.697	0	%100
112	M110	Z	-1.208	-1.208	0	%100
113	M111	X	-.697	-.697	0	%100
114	M111	Z	-1.208	-1.208	0	%100
115	M112	X	-.668	-.668	0	%100
116	M112	Z	-1.156	-1.156	0	%100
117	M113	X	-.668	-.668	0	%100
118	M113	Z	-1.156	-1.156	0	%100
119	M114	X	-.316	-.316	0	%100
120	M114	Z	-.547	-.547	0	%100
121	M118	X	-.000622	-.000622	0	%100
122	M118	Z	-.001	-.001	0	%100
123	M125A	X	-.367	-.367	0	%100
124	M125A	Z	-.636	-.636	0	%100
125	M126A	X	-.398	-.398	0	%100
126	M126A	Z	-.689	-.689	0	%100
127	M125B	X	-.47	-.47	0	%100
128	M125B	Z	-.814	-.814	0	%100
129	M126B	X	-.000734	-.000734	0	%100
130	M126B	Z	-.001	-.001	0	%100
131	M127	X	-.434	-.434	0	%100
132	M127	Z	-.751	-.751	0	%100
133	M128A	X	-.157	-.157	0	%100
134	M128A	Z	-.272	-.272	0	%100
135	M131	X	-.000246	-.000246	0	%100
136	M131	Z	-.000425	-.000425	0	%100
137	M134	X	-.145	-.145	0	%100
138	M134	Z	-.251	-.251	0	%100
139	M139A	X	-.000271	-.000271	0	%100
140	M139A	Z	-.000469	-.000469	0	%100
141	M148	X	-.16	-.16	0	%100
142	M148	Z	-.277	-.277	0	%100
143	M147B	X	-.101	-.101	0	%100
144	M147B	Z	-.175	-.175	0	%100
145	M148B	X	-.101	-.101	0	%100
146	M148B	Z	-.175	-.175	0	%100
147	M153A	X	-.101	-.101	0	%100
148	M153A	Z	-.175	-.175	0	%100
149	M154A	X	-.101	-.101	0	%100
150	M154A	Z	-.175	-.175	0	%100
151	M159	X	-.101	-.101	0	%100
152	M159	Z	-.175	-.175	0	%100
153	M160	X	-.101	-.101	0	%100
154	M160	Z	-.175	-.175	0	%100
155	MP3C	X	-.561	-.561	0	%100
156	MP3C	Z	-.971	-.971	0	%100
157	R2	X	-.455	-.455	0	%100
158	R2	Z	-.789	-.789	0	%100



Member Distributed Loads (BLC 65 : Structure Wm (0 Deg))

	Member Label	Direction	Start Magnitude[lb/ft.F,ksf]	End Magnitude[lb/ft.F,ksf]	Start Location[ft....]	End Location[ft.-%]
1	M1	X	0	0	0	%100
2	M1	Z	-.963	-.963	0	%100
3	M3	X	0	0	0	%100
4	M3	Z	-.001	-.001	0	%100
5	M4	X	0	0	0	%100
6	M4	Z	-2.312	-2.312	0	%100
7	M5	X	0	0	0	%100
8	M5	Z	-.116	-.116	0	%100
9	M7	X	0	0	0	%100
10	M7	Z	-.65	-.65	0	%100
11	M8	X	0	0	0	%100
12	M8	Z	-.51	-.51	0	%100
13	M30	X	0	0	0	%100
14	M30	Z	-.001	-.001	0	%100
15	M31	X	0	0	0	%100
16	M31	Z	-.001	-.001	0	%100
17	M33A	X	0	0	0	%100
18	M33A	Z	-.968	-.968	0	%100
19	MP1A	X	0	0	0	%100
20	MP1A	Z	-.478	-.478	0	%100
21	MP2A	X	0	0	0	%100
22	MP2A	Z	-.478	-.478	0	%100
23	MP3A	X	0	0	0	%100
24	MP3A	Z	-.478	-.478	0	%100
25	MP4A	X	0	0	0	%100
26	MP4A	Z	-.478	-.478	0	%100
27	R1	X	0	0	0	%100
28	R1	Z	-.478	-.478	0	%100
29	M52	X	0	0	0	%100
30	M52	Z	-.718	-.718	0	%100
31	M53	X	0	0	0	%100
32	M53	Z	-.718	-.718	0	%100
33	M55	X	0	0	0	%100
34	M55	Z	-.272	-.272	0	%100
35	M73A	X	0	0	0	%100
36	M73A	Z	-.778	-.778	0	%100
37	M74A	X	0	0	0	%100
38	M74A	Z	-.778	-.778	0	%100
39	M76A	X	0	0	0	%100
40	M76A	Z	-.214	-.214	0	%100
41	M81A	X	0	0	0	%100
42	M81A	Z	-1.927	-1.927	0	%100
43	M80	X	0	0	0	%100
44	M80	Z	-.271	-.271	0	%100
45	M81B	X	0	0	0	%100
46	M81B	Z	-.213	-.213	0	%100
47	MP1C	X	0	0	0	%100
48	MP1C	Z	-.478	-.478	0	%100
49	MP2C	X	0	0	0	%100
50	MP2C	Z	-.478	-.478	0	%100
51	MP32C	X	0	0	0	%100
52	MP32C	Z	-.478	-.478	0	%100
53	MP1B	X	0	0	0	%100
54	MP1B	Z	-.478	-.478	0	%100
55	MP2B	X	0	0	0	%100
56	MP2B	Z	-.478	-.478	0	%100
57	MP3B	X	0	0	0	%100



Member Distributed Loads (BLC 65 : Structure Wm (0 Deg)) (Continued)

Member Label	Direction	Start Magnitude[lb/ft.F,ksf]	End Magnitude[lb/ft.F,ksf]	Start Location[ft,...]	End Location[ft, %]
58	MP3B	Z	-478	-478	0 %100
59	MP4B	X	0	0	0 %100
60	MP4B	Z	-478	-478	0 %100
61	M81D	X	0	0	0 %100
62	M81D	Z	-804	-804	0 %100
63	M82C	X	0	0	0 %100
64	M82C	Z	-65	-65	0 %100
65	M83D	X	0	0	0 %100
66	M83D	Z	-.51	-.51	0 %100
67	M84C	X	0	0	0 %100
68	M84C	Z	-2.312	-2.312	0 %100
69	M87A	X	0	0	0 %100
70	M87A	Z	-.871	-.871	0 %100
71	M88A	X	0	0	0 %100
72	M88A	Z	-.51	-.51	0 %100
73	M89A	X	0	0	0 %100
74	M89A	Z	-2.312	-2.312	0 %100
75	M90A	X	0	0	0 %100
76	M90A	Z	-.65	-.65	0 %100
77	M87	X	0	0	0 %100
78	M87	Z	-.542	-.542	0 %100
79	M92A	X	0	0	0 %100
80	M92A	Z	-.425	-.425	0 %100
81	M95	X	0	0	0 %100
82	M95	Z	-1.156	-1.156	0 %100
83	M96	X	0	0	0 %100
84	M96	Z	-.325	-.325	0 %100
85	M97	X	0	0	0 %100
86	M97	Z	-.255	-.255	0 %100
87	M98	X	0	0	0 %100
88	M98	Z	-.698	-.698	0 %100
89	M99	X	0	0	0 %100
90	M99	Z	-.698	-.698	0 %100
91	M100	X	0	0	0 %100
92	M100	Z	-.698	-.698	0 %100
93	M101	X	0	0	0 %100
94	M101	Z	-.698	-.698	0 %100
95	M102	X	0	0	0 %100
96	M102	Z	-.698	-.698	0 %100
97	M103	X	0	0	0 %100
98	M103	Z	-.698	-.698	0 %100
99	M104	X	0	0	0 %100
100	M104	Z	-.698	-.698	0 %100
101	M105	X	0	0	0 %100
102	M105	Z	-.698	-.698	0 %100
103	M106	X	0	0	0 %100
104	M106	Z	-.698	-.698	0 %100
105	M107	X	0	0	0 %100
106	M107	Z	-.698	-.698	0 %100
107	M108	X	0	0	0 %100
108	M108	Z	-.698	-.698	0 %100
109	M109	X	0	0	0 %100
110	M109	Z	-.698	-.698	0 %100
111	M110	X	0	0	0 %100
112	M110	Z	-.771	-.771	0 %100
113	M111	X	0	0	0 %100
114	M111	Z	-.771	-.771	0 %100



Member Distributed Loads (BLC 65 : Structure Wm (0 Deg)) (Continued)

	Member Label	Direction	Start Magnitude[lb/ft.F,ksf]	End Magnitude[lb/ft.F,ksf]	Start Location[ft....	End Location[ft.%,
115	M112	X	0	0	0	%100
116	M112	Z	-406	-406	0	%100
117	M113	X	0	0	0	%100
118	M113	Z	-406	-406	0	%100
119	M114	X	0	0	0	%100
120	M114	Z	-434	-434	0	%100
121	M118	X	0	0	0	%100
122	M118	Z	-.124	-.124	0	%100
123	M125A	X	0	0	0	%100
124	M125A	Z	-.097	-.097	0	%100
125	M126A	X	0	0	0	%100
126	M126A	Z	-439	-439	0	%100
127	M125B	X	0	0	0	%100
128	M125B	Z	-.543	-.543	0	%100
129	M126B	X	0	0	0	%100
130	M126B	Z	-.153	-.153	0	%100
131	M127	X	0	0	0	%100
132	M127	Z	-.12	-.12	0	%100
133	M128A	X	0	0	0	%100
134	M128A	Z	-.092	-.092	0	%100
135	M131	X	0	0	0	%100
136	M131	Z	-.026	-.026	0	%100
137	M134	X	0	0	0	%100
138	M134	Z	-.02	-.02	0	%100
139	M139A	X	0	0	0	%100
140	M139A	Z	-.033	-.033	0	%100
141	M148	X	0	0	0	%100
142	M148	Z	-.026	-.026	0	%100
143	M147B	X	0	0	0	%100
144	M147B	Z	-.108	-.108	0	%100
145	M148B	X	0	0	0	%100
146	M148B	Z	-.108	-.108	0	%100
147	M153A	X	0	0	0	%100
148	M153A	Z	-.108	-.108	0	%100
149	M154A	X	0	0	0	%100
150	M154A	Z	-.108	-.108	0	%100
151	M159	X	0	0	0	%100
152	M159	Z	-.108	-.108	0	%100
153	M160	X	0	0	0	%100
154	M160	Z	-.108	-.108	0	%100
155	MP3C	X	0	0	0	%100
156	MP3C	Z	-478	-478	0	%100
157	R2	X	0	0	0	%100
158	R2	Z	-.368	-.368	0	%100

Member Distributed Loads (BLC 66 : Structure Wm (30 Deg))

	Member Label	Direction	Start Magnitude[lb/ft.F,ksf]	End Magnitude[lb/ft.F,ksf]	Start Location[ft....	End Location[ft.%,
1	M1	X	.347	.347	0	%100
2	M1	Z	-.601	-.601	0	%100
3	M3	X	.157	.157	0	%100
4	M3	Z	-.272	-.272	0	%100
5	M4	X	.832	.832	0	%100
6	M4	Z	-1.442	-1.442	0	%100
7	M5	X	.042	.042	0	%100
8	M5	Z	-.072	-.072	0	%100
9	M7	X	.902	.902	0	%100



Member Distributed Loads (BLC 66 : Structure Wm (30 Deg)) (Continued)

	Member Label	Direction	Start Magnitude[lb/ft.F,ksfl]	End Magnitude[lb/ft.F,ksfl]	Start Location[ft,...]	End Location[ft, %]
10	M7	Z	-1.563	-1.563	0	%100
11	M8	X	.001	.001	0	%100
12	M8	Z	-.002	-.002	0	%100
13	M30	X	.14	.14	0	%100
14	M30	Z	-.243	-.243	0	%100
15	M31	X	.14	.14	0	%100
16	M31	Z	-.243	-.243	0	%100
17	M33A	X	.348	.348	0	%100
18	M33A	Z	-.603	-.603	0	%100
19	MP1A	X	.248	.248	0	%100
20	MP1A	Z	-.43	-.43	0	%100
21	MP2A	X	.248	.248	0	%100
22	MP2A	Z	-.43	-.43	0	%100
23	MP3A	X	.248	.248	0	%100
24	MP3A	Z	-.43	-.43	0	%100
25	MP4A	X	.248	.248	0	%100
26	MP4A	Z	-.43	-.43	0	%100
27	R1	X	.246	.246	0	%100
28	R1	Z	-.426	-.426	0	%100
29	M52	X	.11	.11	0	%100
30	M52	Z	-.19	-.19	0	%100
31	M53	X	.11	.11	0	%100
32	M53	Z	-.19	-.19	0	%100
33	M55	X	.378	.378	0	%100
34	M55	Z	-.654	-.654	0	%100
35	M73A	X	.498	.498	0	%100
36	M73A	Z	-.863	-.863	0	%100
37	M74A	X	.498	.498	0	%100
38	M74A	Z	-.863	-.863	0	%100
39	M76A	X	.00059	.00059	0	%100
40	M76A	Z	-.001	-.001	0	%100
41	M81A	X	.694	.694	0	%100
42	M81A	Z	-1.201	-1.201	0	%100
43	M80	X	.376	.376	0	%100
44	M80	Z	-.651	-.651	0	%100
45	M81B	X	.000587	.000587	0	%100
46	M81B	Z	-.001	-.001	0	%100
47	MP1C	X	.248	.248	0	%100
48	MP1C	Z	-.43	-.43	0	%100
49	MP2C	X	.248	.248	0	%100
50	MP2C	Z	-.43	-.43	0	%100
51	MP32C	X	.248	.248	0	%100
52	MP32C	Z	-.43	-.43	0	%100
53	MP1B	X	.248	.248	0	%100
54	MP1B	Z	-.43	-.43	0	%100
55	MP2B	X	.248	.248	0	%100
56	MP2B	Z	-.43	-.43	0	%100
57	MP3B	X	.248	.248	0	%100
58	MP3B	Z	-.43	-.43	0	%100
59	MP4B	X	.248	.248	0	%100
60	MP4B	Z	-.43	-.43	0	%100
61	M81D	X	.123	.123	0	%100
62	M81D	Z	-.213	-.213	0	%100
63	M82C	X	.902	.902	0	%100
64	M82C	Z	-1.563	-1.563	0	%100
65	M83D	X	.001	.001	0	%100
66	M83D	Z	-.002	-.002	0	%100



Member Distributed Loads (BLC 66 : Structure Wm (30 Deg)) (Continued)

Member Label	Direction	Start Magnitude[lb/ft.F,ksf]	End Magnitude[lb/ft.F,ksf]	Start Location[ft....]	End Location[ft.-%]
67	M84C	X	.832	.832	0 %100
68	M84C	Z	-1.442	-1.442	0 %100
69	M87A	X	.558	.558	0 %100
70	M87A	Z	-.967	-.967	0 %100
71	M88A	X	.001	.001	0 %100
72	M88A	Z	-.002	-.002	0 %100
73	M89A	X	.832	.832	0 %100
74	M89A	Z	-1.442	-1.442	0 %100
75	M90A	X	.902	.902	0 %100
76	M90A	Z	-1.563	-1.563	0 %100
77	M87	X	.752	.752	0 %100
78	M87	Z	-1.302	-1.302	0 %100
79	M92A	X	.001	.001	0 %100
80	M92A	Z	-.002	-.002	0 %100
81	M95	X	.416	.416	0 %100
82	M95	Z	-.721	-.721	0 %100
83	M96	X	.451	.451	0 %100
84	M96	Z	-.781	-.781	0 %100
85	M97	X	.000705	.000705	0 %100
86	M97	Z	-.001	-.001	0 %100
87	M98	X	.349	.349	0 %100
88	M98	Z	-.604	-.604	0 %100
89	M99	X	.349	.349	0 %100
90	M99	Z	-.604	-.604	0 %100
91	M100	X	.349	.349	0 %100
92	M100	Z	-.604	-.604	0 %100
93	M101	X	.349	.349	0 %100
94	M101	Z	-.604	-.604	0 %100
95	M102	X	.349	.349	0 %100
96	M102	Z	-.604	-.604	0 %100
97	M103	X	.349	.349	0 %100
98	M103	Z	-.604	-.604	0 %100
99	M104	X	.349	.349	0 %100
100	M104	Z	-.604	-.604	0 %100
101	M105	X	.349	.349	0 %100
102	M105	Z	-.604	-.604	0 %100
103	M106	X	.349	.349	0 %100
104	M106	Z	-.604	-.604	0 %100
105	M107	X	.349	.349	0 %100
106	M107	Z	-.604	-.604	0 %100
107	M108	X	.349	.349	0 %100
108	M108	Z	-.604	-.604	0 %100
109	M109	X	.349	.349	0 %100
110	M109	Z	-.604	-.604	0 %100
111	M110	X	.32	.32	0 %100
112	M110	Z	-.554	-.554	0 %100
113	M111	X	.32	.32	0 %100
114	M111	Z	-.554	-.554	0 %100
115	M112	X	.151	.151	0 %100
116	M112	Z	-.262	-.262	0 %100
117	M113	X	.151	.151	0 %100
118	M113	Z	-.262	-.262	0 %100
119	M114	X	.334	.334	0 %100
120	M114	Z	-.579	-.579	0 %100
121	M118	X	.171	.171	0 %100
122	M118	Z	-.297	-.297	0 %100
123	M125A	X	.000268	.000268	0 %100



Member Distributed Loads (BLC 66 : Structure Wm (30 Deg)) (Continued)

	Member Label	Direction	Start Magnitude[lb/ft.F,ksf]	End Magnitude[lb/ft.F,ksf]	Start Location[ft,...]	End Location[ft, %]
124	M125A	Z	-.000464	-.000464	0	%100
125	M126A	X	.158	.158	0	%100
126	M126A	Z	-.274	-.274	0	%100
127	M125B	X	.196	.196	0	%100
128	M125B	Z	-.339	-.339	0	%100
129	M126B	X	.212	.212	0	%100
130	M126B	Z	-.367	-.367	0	%100
131	M127	X	.000331	.000331	0	%100
132	M127	Z	-.000574	-.000574	0	%100
133	M128A	X	.033	.033	0	%100
134	M128A	Z	-.058	-.058	0	%100
135	M131	X	.036	.036	0	%100
136	M131	Z	-.062	-.062	0	%100
137	M134	X	5.6e-5	5.6e-5	0	%100
138	M134	Z	-9.7e-5	-9.7e-5	0	%100
139	M139A	X	.045	.045	0	%100
140	M139A	Z	-.078	-.078	0	%100
141	M148	X	7e-5	7e-5	0	%100
142	M148	Z	-.000122	-.000122	0	%100
143	M147B	X	.054	.054	0	%100
144	M147B	Z	-.094	-.094	0	%100
145	M148B	X	.054	.054	0	%100
146	M148B	Z	-.094	-.094	0	%100
147	M153A	X	.054	.054	0	%100
148	M153A	Z	-.094	-.094	0	%100
149	M154A	X	.054	.054	0	%100
150	M154A	Z	-.094	-.094	0	%100
151	M159	X	.054	.054	0	%100
152	M159	Z	-.094	-.094	0	%100
153	M160	X	.054	.054	0	%100
154	M160	Z	-.094	-.094	0	%100
155	MP3C	X	.248	.248	0	%100
156	MP3C	Z	-.43	-.43	0	%100
157	R2	X	.189	.189	0	%100
158	R2	Z	-.327	-.327	0	%100

Member Distributed Loads (BLC 67 : Structure Wm (60 Deg))

	Member Label	Direction	Start Magnitude[lb/ft.F,ksf]	End Magnitude[lb/ft.F,ksf]	Start Location[ft,...]	End Location[ft, %]
1	M1	X	.184	.184	0	%100
2	M1	Z	-.106	-.106	0	%100
3	M3	X	.755	.755	0	%100
4	M3	Z	-.436	-.436	0	%100
5	M4	X	.442	.442	0	%100
6	M4	Z	-.255	-.255	0	%100
7	M5	X	.022	.022	0	%100
8	M5	Z	-.013	-.013	0	%100
9	M7	X	2.002	2.002	0	%100
10	M7	Z	-1.156	-1.156	0	%100
11	M8	X	.563	.563	0	%100
12	M8	Z	-.325	-.325	0	%100
13	M30	X	.674	.674	0	%100
14	M30	Z	-.389	-.389	0	%100
15	M31	X	.674	.674	0	%100
16	M31	Z	-.389	-.389	0	%100
17	M33A	X	.185	.185	0	%100
18	M33A	Z	-.107	-.107	0	%100



Member Distributed Loads (BLC 67 : Structure Wm (60 Deg)) (Continued)

	Member Label	Direction	Start Magnitude[lb/ft.F,ksf]	End Magnitude[lb/ft.F,ksf]	Start Location[ft....]	End Location[ft.-%]
19	MP1A	X	.461	.461	0	%100
20	MP1A	Z	-.266	-.266	0	%100
21	MP2A	X	.461	.461	0	%100
22	MP2A	Z	-.266	-.266	0	%100
23	MP3A	X	.461	.461	0	%100
24	MP3A	Z	-.266	-.266	0	%100
25	MP4A	X	.461	.461	0	%100
26	MP4A	Z	-.266	-.266	0	%100
27	R1	X	.45	.45	0	%100
28	R1	Z	-.26	-.26	0	%100
29	M52	X	.001	.001	0	%100
30	M52	Z	-.000608	-.000608	0	%100
31	M53	X	.001	.001	0	%100
32	M53	Z	-.000608	-.000608	0	%100
33	M55	X	.838	.838	0	%100
34	M55	Z	-.484	-.484	0	%100
35	M73A	X	.622	.622	0	%100
36	M73A	Z	-.359	-.359	0	%100
37	M74A	X	.622	.622	0	%100
38	M74A	Z	-.359	-.359	0	%100
39	M76A	X	.236	.236	0	%100
40	M76A	Z	-.136	-.136	0	%100
41	M81A	X	.368	.368	0	%100
42	M81A	Z	-.213	-.213	0	%100
43	M80	X	.834	.834	0	%100
44	M80	Z	-.482	-.482	0	%100
45	M81B	X	.235	.235	0	%100
46	M81B	Z	-.135	-.135	0	%100
47	MP1C	X	.461	.461	0	%100
48	MP1C	Z	-.266	-.266	0	%100
49	MP2C	X	.461	.461	0	%100
50	MP2C	Z	-.266	-.266	0	%100
51	MP32C	X	.461	.461	0	%100
52	MP32C	Z	-.266	-.266	0	%100
53	MP1B	X	.461	.461	0	%100
54	MP1B	Z	-.266	-.266	0	%100
55	MP2B	X	.461	.461	0	%100
56	MP2B	Z	-.266	-.266	0	%100
57	MP3B	X	.461	.461	0	%100
58	MP3B	Z	-.266	-.266	0	%100
59	MP4B	X	.461	.461	0	%100
60	MP4B	Z	-.266	-.266	0	%100
61	M81D	X	.001	.001	0	%100
62	M81D	Z	-.000681	-.000681	0	%100
63	M82C	X	2.002	2.002	0	%100
64	M82C	Z	-1.156	-1.156	0	%100
65	M83D	X	.563	.563	0	%100
66	M83D	Z	-.325	-.325	0	%100
67	M84C	X	.442	.442	0	%100
68	M84C	Z	-.255	-.255	0	%100
69	M87A	X	.696	.696	0	%100
70	M87A	Z	-.402	-.402	0	%100
71	M88A	X	.563	.563	0	%100
72	M88A	Z	-.325	-.325	0	%100
73	M89A	X	.442	.442	0	%100
74	M89A	Z	-.255	-.255	0	%100
75	M90A	X	2.002	2.002	0	%100



Member Distributed Loads (BLC 67 : Structure Wm (60 Deg)) (Continued)

Member Label	Direction	Start Magnitude[lb/ft.F,ksfl]	End Magnitude[lb/ft.F,ksfl]	Start Location[ft....]	End Location[ft.-%]
76	M90A	Z	-1.156	-1.156	0 %100
77	M87	X	1.669	1.669	0 %100
78	M87	Z	-.963	-.963	0 %100
79	M92A	X	.469	.469	0 %100
80	M92A	Z	-.271	-.271	0 %100
81	M95	X	.221	.221	0 %100
82	M95	Z	-.128	-.128	0 %100
83	M96	X	1.001	1.001	0 %100
84	M96	Z	-.578	-.578	0 %100
85	M97	X	.281	.281	0 %100
86	M97	Z	-.163	-.163	0 %100
87	M98	X	.604	.604	0 %100
88	M98	Z	-.349	-.349	0 %100
89	M99	X	.604	.604	0 %100
90	M99	Z	-.349	-.349	0 %100
91	M100	X	.604	.604	0 %100
92	M100	Z	-.349	-.349	0 %100
93	M101	X	.604	.604	0 %100
94	M101	Z	-.349	-.349	0 %100
95	M102	X	.604	.604	0 %100
96	M102	Z	-.349	-.349	0 %100
97	M103	X	.604	.604	0 %100
98	M103	Z	-.349	-.349	0 %100
99	M104	X	.604	.604	0 %100
100	M104	Z	-.349	-.349	0 %100
101	M105	X	.604	.604	0 %100
102	M105	Z	-.349	-.349	0 %100
103	M106	X	.604	.604	0 %100
104	M106	Z	-.349	-.349	0 %100
105	M107	X	.604	.604	0 %100
106	M107	Z	-.349	-.349	0 %100
107	M108	X	.604	.604	0 %100
108	M108	Z	-.349	-.349	0 %100
109	M109	X	.604	.604	0 %100
110	M109	Z	-.349	-.349	0 %100
111	M110	X	.351	.351	0 %100
112	M110	Z	-.203	-.203	0 %100
113	M111	X	.351	.351	0 %100
114	M111	Z	-.203	-.203	0 %100
115	M112	X	.376	.376	0 %100
116	M112	Z	-.217	-.217	0 %100
117	M113	X	.376	.376	0 %100
118	M113	Z	-.217	-.217	0 %100
119	M114	X	.668	.668	0 %100
120	M114	Z	-.386	-.386	0 %100
121	M118	X	.38	.38	0 %100
122	M118	Z	-.22	-.22	0 %100
123	M125A	X	.107	.107	0 %100
124	M125A	Z	-.062	-.062	0 %100
125	M126A	X	.084	.084	0 %100
126	M126A	Z	-.048	-.048	0 %100
127	M125B	X	.104	.104	0 %100
128	M125B	Z	-.06	-.06	0 %100
129	M126B	X	.47	.47	0 %100
130	M126B	Z	-.272	-.272	0 %100
131	M127	X	.132	.132	0 %100
132	M127	Z	-.076	-.076	0 %100



Member Distributed Loads (BLC 67 : Structure Wm (60 Deg)) (Continued)

	Member Label	Direction	Start Magnitude[lb/ft.F,ksf]	End Magnitude[lb/ft.F,ksf]	Start Location[ft....]	End Location[ft.%,]
133	M128A	X	.018	.018	0	%100
134	M128A	Z	-.01	-.01	0	%100
135	M131	X	.08	.08	0	%100
136	M131	Z	-.046	-.046	0	%100
137	M134	X	.022	.022	0	%100
138	M134	Z	-.013	-.013	0	%100
139	M139A	X	.1	.1	0	%100
140	M139A	Z	-.058	-.058	0	%100
141	M148	X	.028	.028	0	%100
142	M148	Z	-.016	-.016	0	%100
143	M147B	X	.05	.05	0	%100
144	M147B	Z	-.029	-.029	0	%100
145	M148B	X	.05	.05	0	%100
146	M148B	Z	-.029	-.029	0	%100
147	M153A	X	.05	.05	0	%100
148	M153A	Z	-.029	-.029	0	%100
149	M154A	X	.05	.05	0	%100
150	M154A	Z	-.029	-.029	0	%100
151	M159	X	.05	.05	0	%100
152	M159	Z	-.029	-.029	0	%100
153	M160	X	.05	.05	0	%100
154	M160	Z	-.029	-.029	0	%100
155	MP3C	X	.461	.461	0	%100
156	MP3C	Z	-.266	-.266	0	%100
157	R2	X	.344	.344	0	%100
158	R2	Z	-.199	-.199	0	%100

Member Distributed Loads (BLC 68 : Structure Wm (90 Deg))

	Member Label	Direction	Start Magnitude[lb/ft.F,ksf]	End Magnitude[lb/ft.F,ksf]	Start Location[ft....]	End Location[ft.%,]
1	M1	X	.001	.001	0	%100
2	M1	Z	0	0	0	%100
3	M3	X	1.116	1.116	0	%100
4	M3	Z	0	0	0	%100
5	M4	X	.003	.003	0	%100
6	M4	Z	0	0	0	%100
7	M5	X	.000141	.000141	0	%100
8	M5	Z	0	0	0	%100
9	M7	X	1.665	1.665	0	%100
10	M7	Z	0	0	0	%100
11	M8	X	1.805	1.805	0	%100
12	M8	Z	0	0	0	%100
13	M30	X	.997	.997	0	%100
14	M30	Z	0	0	0	%100
15	M31	X	.997	.997	0	%100
16	M31	Z	0	0	0	%100
17	M33A	X	.001	.001	0	%100
18	M33A	Z	0	0	0	%100
19	MP1A	X	.55	.55	0	%100
20	MP1A	Z	0	0	0	%100
21	MP2A	X	.55	.55	0	%100
22	MP2A	Z	0	0	0	%100
23	MP3A	X	.55	.55	0	%100
24	MP3A	Z	0	0	0	%100
25	MP4A	X	.55	.55	0	%100
26	MP4A	Z	0	0	0	%100
27	R1	X	.533	.533	0	%100



Member Distributed Loads (BLC 68 : Structure Wm (90 Deg)) (Continued)

	Member Label	Direction	Start Magnitude[lb/ft.F,ksfl]	End Magnitude[lb/ft.F,ksfl]	Start Location[ft....]	End Location[ft.%]
28	R1	Z	0	0	0	%100
29	M52	X	.28	.28	0	%100
30	M52	Z	0	0	0	%100
31	M53	X	.28	.28	0	%100
32	M53	Z	0	0	0	%100
33	M55	X	.697	.697	0	%100
34	M55	Z	0	0	0	%100
35	M73A	X	.22	.22	0	%100
36	M73A	Z	0	0	0	%100
37	M74A	X	.22	.22	0	%100
38	M74A	Z	0	0	0	%100
39	M76A	X	.755	.755	0	%100
40	M76A	Z	0	0	0	%100
41	M81A	X	.002	.002	0	%100
42	M81A	Z	0	0	0	%100
43	M80	X	.694	.694	0	%100
44	M80	Z	0	0	0	%100
45	M81B	X	.752	.752	0	%100
46	M81B	Z	0	0	0	%100
47	MP1C	X	.55	.55	0	%100
48	MP1C	Z	0	0	0	%100
49	MP2C	X	.55	.55	0	%100
50	MP2C	Z	0	0	0	%100
51	MP32C	X	.55	.55	0	%100
52	MP32C	Z	0	0	0	%100
53	MP1B	X	.55	.55	0	%100
54	MP1B	Z	0	0	0	%100
55	MP2B	X	.55	.55	0	%100
56	MP2B	Z	0	0	0	%100
57	MP3B	X	.55	.55	0	%100
58	MP3B	Z	0	0	0	%100
59	MP4B	X	.55	.55	0	%100
60	MP4B	Z	0	0	0	%100
61	M81D	X	.314	.314	0	%100
62	M81D	Z	0	0	0	%100
63	M82C	X	1.665	1.665	0	%100
64	M82C	Z	0	0	0	%100
65	M83D	X	1.805	1.805	0	%100
66	M83D	Z	0	0	0	%100
67	M84C	X	.003	.003	0	%100
68	M84C	Z	0	0	0	%100
69	M87A	X	.246	.246	0	%100
70	M87A	Z	0	0	0	%100
71	M88A	X	1.805	1.805	0	%100
72	M88A	Z	0	0	0	%100
73	M89A	X	.003	.003	0	%100
74	M89A	Z	0	0	0	%100
75	M90A	X	1.665	1.665	0	%100
76	M90A	Z	0	0	0	%100
77	M87	X	1.387	1.387	0	%100
78	M87	Z	0	0	0	%100
79	M92A	X	1.504	1.504	0	%100
80	M92A	Z	0	0	0	%100
81	M95	X	.001	.001	0	%100
82	M95	Z	0	0	0	%100
83	M96	X	.832	.832	0	%100
84	M96	Z	0	0	0	%100



Member Distributed Loads (BLC 68 : Structure Wm (90 Deg)) (Continued)

	Member Label	Direction	Start Magnitude[lb/ft.F,ksf]	End Magnitude[lb/ft.F,ksf]	Start Location[ft....]	End Location[ft.-%]
85	M97	X	.902	.902	0	%100
86	M97	Z	0	0	0	%100
87	M98	X	.698	.698	0	%100
88	M98	Z	0	0	0	%100
89	M99	X	.698	.698	0	%100
90	M99	Z	0	0	0	%100
91	M100	X	.698	.698	0	%100
92	M100	Z	0	0	0	%100
93	M101	X	.698	.698	0	%100
94	M101	Z	0	0	0	%100
95	M102	X	.698	.698	0	%100
96	M102	Z	0	0	0	%100
97	M103	X	.698	.698	0	%100
98	M103	Z	0	0	0	%100
99	M104	X	.698	.698	0	%100
100	M104	Z	0	0	0	%100
101	M105	X	.698	.698	0	%100
102	M105	Z	0	0	0	%100
103	M106	X	.698	.698	0	%100
104	M106	Z	0	0	0	%100
105	M107	X	.698	.698	0	%100
106	M107	Z	0	0	0	%100
107	M108	X	.698	.698	0	%100
108	M108	Z	0	0	0	%100
109	M109	X	.698	.698	0	%100
110	M109	Z	0	0	0	%100
111	M110	X	.303	.303	0	%100
112	M110	Z	0	0	0	%100
113	M111	X	.303	.303	0	%100
114	M111	Z	0	0	0	%100
115	M112	X	.668	.668	0	%100
116	M112	Z	0	0	0	%100
117	M113	X	.668	.668	0	%100
118	M113	Z	0	0	0	%100
119	M114	X	.64	.64	0	%100
120	M114	Z	0	0	0	%100
121	M118	X	.316	.316	0	%100
122	M118	Z	0	0	0	%100
123	M125A	X	.343	.343	0	%100
124	M125A	Z	0	0	0	%100
125	M126A	X	.000536	.000536	0	%100
126	M126A	Z	0	0	0	%100
127	M125B	X	.000662	.000662	0	%100
128	M125B	Z	0	0	0	%100
129	M126B	X	.391	.391	0	%100
130	M126B	Z	0	0	0	%100
131	M127	X	.424	.424	0	%100
132	M127	Z	0	0	0	%100
133	M128A	X	.000113	.000113	0	%100
134	M128A	Z	0	0	0	%100
135	M131	X	.066	.066	0	%100
136	M131	Z	0	0	0	%100
137	M134	X	.072	.072	0	%100
138	M134	Z	0	0	0	%100
139	M139A	X	.083	.083	0	%100
140	M139A	Z	0	0	0	%100
141	M148	X	.09	.09	0	%100



Member Distributed Loads (BLC 68 : Structure Wm (90 Deg)) (Continued)

	Member Label	Direction	Start Magnitude[lb/ft.F,ksf]	End Magnitude[lb/ft.F,ksf]	Start Location[ft,...]	End Location[ft, %]
142	M148	Z	0	0	0	%100
143	M147B	X	.008	.008	0	%100
144	M147B	Z	0	0	0	%100
145	M148B	X	.008	.008	0	%100
146	M148B	Z	0	0	0	%100
147	M153A	X	.008	.008	0	%100
148	M153A	Z	0	0	0	%100
149	M154A	X	.008	.008	0	%100
150	M154A	Z	0	0	0	%100
151	M159	X	.008	.008	0	%100
152	M159	Z	0	0	0	%100
153	M160	X	.008	.008	0	%100
154	M160	Z	0	0	0	%100
155	MP3C	X	.55	.55	0	%100
156	MP3C	Z	0	0	0	%100
157	R2	X	.407	.407	0	%100
158	R2	Z	0	0	0	%100

Member Distributed Loads (BLC 69 : Structure Wm (120 Deg))

	Member Label	Direction	Start Magnitude[lb/ft.F,ksf]	End Magnitude[lb/ft.F,ksf]	Start Location[ft,...]	End Location[ft, %]
1	M1	X	.235	.235	0	%100
2	M1	Z	.135	.135	0	%100
3	M3	X	.696	.696	0	%100
4	M3	Z	.402	.402	0	%100
5	M4	X	.563	.563	0	%100
6	M4	Z	.325	.325	0	%100
7	M5	X	.028	.028	0	%100
8	M5	Z	.016	.016	0	%100
9	M7	X	.442	.442	0	%100
10	M7	Z	.255	.255	0	%100
11	M8	X	2.002	2.002	0	%100
12	M8	Z	1.156	1.156	0	%100
13	M30	X	.622	.622	0	%100
14	M30	Z	.359	.359	0	%100
15	M31	X	.622	.622	0	%100
16	M31	Z	.359	.359	0	%100
17	M33A	X	.236	.236	0	%100
18	M33A	Z	.136	.136	0	%100
19	MP1A	X	.461	.461	0	%100
20	MP1A	Z	.266	.266	0	%100
21	MP2A	X	.461	.461	0	%100
22	MP2A	Z	.266	.266	0	%100
23	MP3A	X	.461	.461	0	%100
24	MP3A	Z	.266	.266	0	%100
25	MP4A	X	.461	.461	0	%100
26	MP4A	Z	.266	.266	0	%100
27	R1	X	.45	.45	0	%100
28	R1	Z	.26	.26	0	%100
29	M52	X	.674	.674	0	%100
30	M52	Z	.389	.389	0	%100
31	M53	X	.674	.674	0	%100
32	M53	Z	.389	.389	0	%100
33	M55	X	.185	.185	0	%100
34	M55	Z	.107	.107	0	%100
35	M73A	X	.001	.001	0	%100
36	M73A	Z	.000608	.000608	0	%100



Member Distributed Loads (BLC 69 : Structure Wm (120 Deg)) (Continued)

	Member Label	Direction	Start Magnitude[lb/ft.F,ksf]	End Magnitude[lb/ft.F,ksf]	Start Location[ft....]	End Location[ft.-%]
37	M74A	X	.001	.001	0	%100
38	M74A	Z	.000608	.000608	0	%100
39	M76A	X	.838	.838	0	%100
40	M76A	Z	.484	.484	0	%100
41	M81A	X	.469	.469	0	%100
42	M81A	Z	.271	.271	0	%100
43	M80	X	.184	.184	0	%100
44	M80	Z	.106	.106	0	%100
45	M81B	X	.834	.834	0	%100
46	M81B	Z	.482	.482	0	%100
47	MP1C	X	.461	.461	0	%100
48	MP1C	Z	.266	.266	0	%100
49	MP2C	X	.461	.461	0	%100
50	MP2C	Z	.266	.266	0	%100
51	MP32C	X	.461	.461	0	%100
52	MP32C	Z	.266	.266	0	%100
53	MP1B	X	.461	.461	0	%100
54	MP1B	Z	.266	.266	0	%100
55	MP2B	X	.461	.461	0	%100
56	MP2B	Z	.266	.266	0	%100
57	MP3B	X	.461	.461	0	%100
58	MP3B	Z	.266	.266	0	%100
59	MP4B	X	.461	.461	0	%100
60	MP4B	Z	.266	.266	0	%100
61	M81D	X	.755	.755	0	%100
62	M81D	Z	.436	.436	0	%100
63	M82C	X	.442	.442	0	%100
64	M82C	Z	.255	.255	0	%100
65	M83D	X	2.002	2.002	0	%100
66	M83D	Z	1.156	1.156	0	%100
67	M84C	X	.563	.563	0	%100
68	M84C	Z	.325	.325	0	%100
69	M87A	X	.001	.001	0	%100
70	M87A	Z	.000681	.000681	0	%100
71	M88A	X	2.002	2.002	0	%100
72	M88A	Z	1.156	1.156	0	%100
73	M89A	X	.563	.563	0	%100
74	M89A	Z	.325	.325	0	%100
75	M90A	X	.442	.442	0	%100
76	M90A	Z	.255	.255	0	%100
77	M87	X	.368	.368	0	%100
78	M87	Z	.213	.213	0	%100
79	M92A	X	1.669	1.669	0	%100
80	M92A	Z	.963	.963	0	%100
81	M95	X	.281	.281	0	%100
82	M95	Z	.163	.163	0	%100
83	M96	X	.221	.221	0	%100
84	M96	Z	.128	.128	0	%100
85	M97	X	1.001	1.001	0	%100
86	M97	Z	.578	.578	0	%100
87	M98	X	.604	.604	0	%100
88	M98	Z	.349	.349	0	%100
89	M99	X	.604	.604	0	%100
90	M99	Z	.349	.349	0	%100
91	M100	X	.604	.604	0	%100
92	M100	Z	.349	.349	0	%100
93	M101	X	.604	.604	0	%100



Member Distributed Loads (BLC 69 : Structure Wm (120 Deg)) (Continued)

	Member Label	Direction	Start Magnitude[lb/ft.F,ksfl]	End Magnitude[lb/ft.F,ksfl]	Start Location[ft,...]	End Location[ft, %]
94	M101	Z	.349	.349	0	%100
95	M102	X	.604	.604	0	%100
96	M102	Z	.349	.349	0	%100
97	M103	X	.604	.604	0	%100
98	M103	Z	.349	.349	0	%100
99	M104	X	.604	.604	0	%100
100	M104	Z	.349	.349	0	%100
101	M105	X	.604	.604	0	%100
102	M105	Z	.349	.349	0	%100
103	M106	X	.604	.604	0	%100
104	M106	Z	.349	.349	0	%100
105	M107	X	.604	.604	0	%100
106	M107	Z	.349	.349	0	%100
107	M108	X	.604	.604	0	%100
108	M108	Z	.349	.349	0	%100
109	M109	X	.604	.604	0	%100
110	M109	Z	.349	.349	0	%100
111	M110	X	.376	.376	0	%100
112	M110	Z	.217	.217	0	%100
113	M111	X	.376	.376	0	%100
114	M111	Z	.217	.217	0	%100
115	M112	X	.668	.668	0	%100
116	M112	Z	.386	.386	0	%100
117	M113	X	.668	.668	0	%100
118	M113	Z	.386	.386	0	%100
119	M114	X	.351	.351	0	%100
120	M114	Z	.203	.203	0	%100
121	M118	X	.084	.084	0	%100
122	M118	Z	.048	.048	0	%100
123	M125A	X	.38	.38	0	%100
124	M125A	Z	.22	.22	0	%100
125	M126A	X	.107	.107	0	%100
126	M126A	Z	.062	.062	0	%100
127	M125B	X	.132	.132	0	%100
128	M125B	Z	.076	.076	0	%100
129	M126B	X	.104	.104	0	%100
130	M126B	Z	.06	.06	0	%100
131	M127	X	.47	.47	0	%100
132	M127	Z	.272	.272	0	%100
133	M128A	X	.022	.022	0	%100
134	M128A	Z	.013	.013	0	%100
135	M131	X	.018	.018	0	%100
136	M131	Z	.01	.01	0	%100
137	M134	X	.08	.08	0	%100
138	M134	Z	.046	.046	0	%100
139	M139A	X	.022	.022	0	%100
140	M139A	Z	.013	.013	0	%100
141	M148	X	.1	.1	0	%100
142	M148	Z	.058	.058	0	%100
143	M147B	X	.007	.007	0	%100
144	M147B	Z	.004	.004	0	%100
145	M148B	X	.007	.007	0	%100
146	M148B	Z	.004	.004	0	%100
147	M153A	X	.007	.007	0	%100
148	M153A	Z	.004	.004	0	%100
149	M154A	X	.007	.007	0	%100
150	M154A	Z	.004	.004	0	%100



Member Distributed Loads (BLC 69 : Structure Wm (120 Deg)) (Continued)

	Member Label	Direction	Start Magnitude[lb/ft.F,ksf]	End Magnitude[lb/ft.F,ksf]	Start Location[ft,...]	End Location[ft, %]
151	M159	X	.007	.007	0	%100
152	M159	Z	.004	.004	0	%100
153	M160	X	.007	.007	0	%100
154	M160	Z	.004	.004	0	%100
155	MP3C	X	.461	.461	0	%100
156	MP3C	Z	.266	.266	0	%100
157	R2	X	.344	.344	0	%100
158	R2	Z	.199	.199	0	%100

Member Distributed Loads (BLC 70 : Structure Wm (150 Deg))

	Member Label	Direction	Start Magnitude[lb/ft.F,ksf]	End Magnitude[lb/ft.F,ksf]	Start Location[ft,...]	End Location[ft, %]
1	M1	X	.376	.376	0	%100
2	M1	Z	.651	.651	0	%100
3	M3	X	.123	.123	0	%100
4	M3	Z	.213	.213	0	%100
5	M4	X	.902	.902	0	%100
6	M4	Z	1.563	1.563	0	%100
7	M5	X	.045	.045	0	%100
8	M5	Z	.078	.078	0	%100
9	M7	X	.001	.001	0	%100
10	M7	Z	.002	.002	0	%100
11	M8	X	.832	.832	0	%100
12	M8	Z	1.442	1.442	0	%100
13	M30	X	.11	.11	0	%100
14	M30	Z	.19	.19	0	%100
15	M31	X	.11	.11	0	%100
16	M31	Z	.19	.19	0	%100
17	M33A	X	.378	.378	0	%100
18	M33A	Z	.654	.654	0	%100
19	MP1A	X	.248	.248	0	%100
20	MP1A	Z	.43	.43	0	%100
21	MP2A	X	.248	.248	0	%100
22	MP2A	Z	.43	.43	0	%100
23	MP3A	X	.248	.248	0	%100
24	MP3A	Z	.43	.43	0	%100
25	MP4A	X	.248	.248	0	%100
26	MP4A	Z	.43	.43	0	%100
27	R1	X	.246	.246	0	%100
28	R1	Z	.426	.426	0	%100
29	M52	X	.498	.498	0	%100
30	M52	Z	.863	.863	0	%100
31	M53	X	.498	.498	0	%100
32	M53	Z	.863	.863	0	%100
33	M55	X	.00059	.00059	0	%100
34	M55	Z	.001	.001	0	%100
35	M73A	X	.14	.14	0	%100
36	M73A	Z	.243	.243	0	%100
37	M74A	X	.14	.14	0	%100
38	M74A	Z	.243	.243	0	%100
39	M76A	X	.348	.348	0	%100
40	M76A	Z	.603	.603	0	%100
41	M81A	X	.752	.752	0	%100
42	M81A	Z	1.302	1.302	0	%100
43	M80	X	.000587	.000587	0	%100
44	M80	Z	.001	.001	0	%100
45	M81B	X	.347	.347	0	%100



Member Distributed Loads (BLC 70 : Structure Wm (150 Deg)) (Continued)

Member Label	Direction	Start Magnitude[lb/ft.F,ksfl]	End Magnitude[lb/ft.F,ksfl]	Start Location[ft,...]	End Location[ft, %]
46	M81B	Z	.601	.601	0 %100
47	MP1C	X	.248	.248	0 %100
48	MP1C	Z	.43	.43	0 %100
49	MP2C	X	.248	.248	0 %100
50	MP2C	Z	.43	.43	0 %100
51	MP32C	X	.248	.248	0 %100
52	MP32C	Z	.43	.43	0 %100
53	MP1B	X	.248	.248	0 %100
54	MP1B	Z	.43	.43	0 %100
55	MP2B	X	.248	.248	0 %100
56	MP2B	Z	.43	.43	0 %100
57	MP3B	X	.248	.248	0 %100
58	MP3B	Z	.43	.43	0 %100
59	MP4B	X	.248	.248	0 %100
60	MP4B	Z	.43	.43	0 %100
61	M81D	X	.558	.558	0 %100
62	M81D	Z	.967	.967	0 %100
63	M82C	X	.001	.001	0 %100
64	M82C	Z	.002	.002	0 %100
65	M83D	X	.832	.832	0 %100
66	M83D	Z	1.442	1.442	0 %100
67	M84C	X	.902	.902	0 %100
68	M84C	Z	1.563	1.563	0 %100
69	M87A	X	.157	.157	0 %100
70	M87A	Z	.272	.272	0 %100
71	M88A	X	.832	.832	0 %100
72	M88A	Z	1.442	1.442	0 %100
73	M89A	X	.902	.902	0 %100
74	M89A	Z	1.563	1.563	0 %100
75	M90A	X	.001	.001	0 %100
76	M90A	Z	.002	.002	0 %100
77	M87	X	.001	.001	0 %100
78	M87	Z	.002	.002	0 %100
79	M92A	X	.694	.694	0 %100
80	M92A	Z	1.201	1.201	0 %100
81	M95	X	.451	.451	0 %100
82	M95	Z	.781	.781	0 %100
83	M96	X	.000705	.000705	0 %100
84	M96	Z	.001	.001	0 %100
85	M97	X	.416	.416	0 %100
86	M97	Z	.721	.721	0 %100
87	M98	X	.349	.349	0 %100
88	M98	Z	.604	.604	0 %100
89	M99	X	.349	.349	0 %100
90	M99	Z	.604	.604	0 %100
91	M100	X	.349	.349	0 %100
92	M100	Z	.604	.604	0 %100
93	M101	X	.349	.349	0 %100
94	M101	Z	.604	.604	0 %100
95	M102	X	.349	.349	0 %100
96	M102	Z	.604	.604	0 %100
97	M103	X	.349	.349	0 %100
98	M103	Z	.604	.604	0 %100
99	M104	X	.349	.349	0 %100
100	M104	Z	.604	.604	0 %100
101	M105	X	.349	.349	0 %100
102	M105	Z	.604	.604	0 %100



Member Distributed Loads (BLC 70 : Structure Wm (150 Deg)) (Continued)

	Member Label	Direction	Start Magnitude[lb/ft.F,ksf]	End Magnitude[lb/ft.F,ksf]	Start Location[ft....]	End Location[ft.-%]
103	M106	X	.349	.349	0	%100
104	M106	Z	.604	.604	0	%100
105	M107	X	.349	.349	0	%100
106	M107	Z	.604	.604	0	%100
107	M108	X	.349	.349	0	%100
108	M108	Z	.604	.604	0	%100
109	M109	X	.349	.349	0	%100
110	M109	Z	.604	.604	0	%100
111	M110	X	.334	.334	0	%100
112	M110	Z	.579	.579	0	%100
113	M111	X	.334	.334	0	%100
114	M111	Z	.579	.579	0	%100
115	M112	X	.32	.32	0	%100
116	M112	Z	.554	.554	0	%100
117	M113	X	.32	.32	0	%100
118	M113	Z	.554	.554	0	%100
119	M114	X	.151	.151	0	%100
120	M114	Z	.262	.262	0	%100
121	M118	X	.000268	.000268	0	%100
122	M118	Z	.000464	.000464	0	%100
123	M125A	X	.158	.158	0	%100
124	M125A	Z	.274	.274	0	%100
125	M126A	X	.171	.171	0	%100
126	M126A	Z	.297	.297	0	%100
127	M125B	X	.212	.212	0	%100
128	M125B	Z	.367	.367	0	%100
129	M126B	X	.000331	.000331	0	%100
130	M126B	Z	.000574	.000574	0	%100
131	M127	X	.196	.196	0	%100
132	M127	Z	.339	.339	0	%100
133	M128A	X	.036	.036	0	%100
134	M128A	Z	.062	.062	0	%100
135	M131	X	5.6e-5	5.6e-5	0	%100
136	M131	Z	9.7e-5	9.7e-5	0	%100
137	M134	X	.033	.033	0	%100
138	M134	Z	.058	.058	0	%100
139	M139A	X	7e-5	7e-5	0	%100
140	M139A	Z	.000122	.000122	0	%100
141	M148	X	.042	.042	0	%100
142	M148	Z	.072	.072	0	%100
143	M147B	X	.029	.029	0	%100
144	M147B	Z	.05	.05	0	%100
145	M148B	X	.029	.029	0	%100
146	M148B	Z	.05	.05	0	%100
147	M153A	X	.029	.029	0	%100
148	M153A	Z	.05	.05	0	%100
149	M154A	X	.029	.029	0	%100
150	M154A	Z	.05	.05	0	%100
151	M159	X	.029	.029	0	%100
152	M159	Z	.05	.05	0	%100
153	M160	X	.029	.029	0	%100
154	M160	Z	.05	.05	0	%100
155	MP3C	X	.248	.248	0	%100
156	MP3C	Z	.43	.43	0	%100
157	R2	X	.189	.189	0	%100
158	R2	Z	.327	.327	0	%100



Member Distributed Loads (BLC 71 : Structure Wm (180 Deg))

	Member Label	Direction	Start Magnitude[lb/ft.F,ksf]	End Magnitude[lb/ft.F,ksf]	Start Location[ft....]	End Location[ft.-%]
1	M1	X	0	0	0	%100
2	M1	Z	.963	.963	0	%100
3	M3	X	0	0	0	%100
4	M3	Z	.001	.001	0	%100
5	M4	X	0	0	0	%100
6	M4	Z	2.312	2.312	0	%100
7	M5	X	0	0	0	%100
8	M5	Z	.116	.116	0	%100
9	M7	X	0	0	0	%100
10	M7	Z	.65	.65	0	%100
11	M8	X	0	0	0	%100
12	M8	Z	.51	.51	0	%100
13	M30	X	0	0	0	%100
14	M30	Z	.001	.001	0	%100
15	M31	X	0	0	0	%100
16	M31	Z	.001	.001	0	%100
17	M33A	X	0	0	0	%100
18	M33A	Z	.968	.968	0	%100
19	MP1A	X	0	0	0	%100
20	MP1A	Z	.478	.478	0	%100
21	MP2A	X	0	0	0	%100
22	MP2A	Z	.478	.478	0	%100
23	MP3A	X	0	0	0	%100
24	MP3A	Z	.478	.478	0	%100
25	MP4A	X	0	0	0	%100
26	MP4A	Z	.478	.478	0	%100
27	R1	X	0	0	0	%100
28	R1	Z	.478	.478	0	%100
29	M52	X	0	0	0	%100
30	M52	Z	.718	.718	0	%100
31	M53	X	0	0	0	%100
32	M53	Z	.718	.718	0	%100
33	M55	X	0	0	0	%100
34	M55	Z	.272	.272	0	%100
35	M73A	X	0	0	0	%100
36	M73A	Z	.778	.778	0	%100
37	M74A	X	0	0	0	%100
38	M74A	Z	.778	.778	0	%100
39	M76A	X	0	0	0	%100
40	M76A	Z	.214	.214	0	%100
41	M81A	X	0	0	0	%100
42	M81A	Z	1.927	1.927	0	%100
43	M80	X	0	0	0	%100
44	M80	Z	.271	.271	0	%100
45	M81B	X	0	0	0	%100
46	M81B	Z	.213	.213	0	%100
47	MP1C	X	0	0	0	%100
48	MP1C	Z	.478	.478	0	%100
49	MP2C	X	0	0	0	%100
50	MP2C	Z	.478	.478	0	%100
51	MP32C	X	0	0	0	%100
52	MP32C	Z	.478	.478	0	%100
53	MP1B	X	0	0	0	%100
54	MP1B	Z	.478	.478	0	%100
55	MP2B	X	0	0	0	%100
56	MP2B	Z	.478	.478	0	%100
57	MP3B	X	0	0	0	%100



Member Distributed Loads (BLC 71 : Structure Wm (180 Deg)) (Continued)

Member Label	Direction	Start Magnitude[lb/ft.F,ksfl]	End Magnitude[lb/ft.F,ksfl]	Start Location[ft....]	End Location[ft.-%]
58	MP3B	Z	.478	.478	0 %100
59	MP4B	X	0	0	0 %100
60	MP4B	Z	.478	.478	0 %100
61	M81D	X	0	0	0 %100
62	M81D	Z	.804	.804	0 %100
63	M82C	X	0	0	0 %100
64	M82C	Z	.65	.65	0 %100
65	M83D	X	0	0	0 %100
66	M83D	Z	.51	.51	0 %100
67	M84C	X	0	0	0 %100
68	M84C	Z	2.312	2.312	0 %100
69	M87A	X	0	0	0 %100
70	M87A	Z	.871	.871	0 %100
71	M88A	X	0	0	0 %100
72	M88A	Z	.51	.51	0 %100
73	M89A	X	0	0	0 %100
74	M89A	Z	2.312	2.312	0 %100
75	M90A	X	0	0	0 %100
76	M90A	Z	.65	.65	0 %100
77	M87	X	0	0	0 %100
78	M87	Z	.542	.542	0 %100
79	M92A	X	0	0	0 %100
80	M92A	Z	.425	.425	0 %100
81	M95	X	0	0	0 %100
82	M95	Z	1.156	1.156	0 %100
83	M96	X	0	0	0 %100
84	M96	Z	.325	.325	0 %100
85	M97	X	0	0	0 %100
86	M97	Z	.255	.255	0 %100
87	M98	X	0	0	0 %100
88	M98	Z	.698	.698	0 %100
89	M99	X	0	0	0 %100
90	M99	Z	.698	.698	0 %100
91	M100	X	0	0	0 %100
92	M100	Z	.698	.698	0 %100
93	M101	X	0	0	0 %100
94	M101	Z	.698	.698	0 %100
95	M102	X	0	0	0 %100
96	M102	Z	.698	.698	0 %100
97	M103	X	0	0	0 %100
98	M103	Z	.698	.698	0 %100
99	M104	X	0	0	0 %100
100	M104	Z	.698	.698	0 %100
101	M105	X	0	0	0 %100
102	M105	Z	.698	.698	0 %100
103	M106	X	0	0	0 %100
104	M106	Z	.698	.698	0 %100
105	M107	X	0	0	0 %100
106	M107	Z	.698	.698	0 %100
107	M108	X	0	0	0 %100
108	M108	Z	.698	.698	0 %100
109	M109	X	0	0	0 %100
110	M109	Z	.698	.698	0 %100
111	M110	X	0	0	0 %100
112	M110	Z	.771	.771	0 %100
113	M111	X	0	0	0 %100
114	M111	Z	.771	.771	0 %100



Member Distributed Loads (BLC 71 : Structure Wm (180 Deg)) (Continued)

	Member Label	Direction	Start Magnitude[lb/ft.F,ksf]	End Magnitude[lb/ft.F,ksf]	Start Location[ft....]	End Location[ft.%,]
115	M112	X	0	0	0	%100
116	M112	Z	.406	.406	0	%100
117	M113	X	0	0	0	%100
118	M113	Z	.406	.406	0	%100
119	M114	X	0	0	0	%100
120	M114	Z	.434	.434	0	%100
121	M118	X	0	0	0	%100
122	M118	Z	.124	.124	0	%100
123	M125A	X	0	0	0	%100
124	M125A	Z	.097	.097	0	%100
125	M126A	X	0	0	0	%100
126	M126A	Z	.439	.439	0	%100
127	M125B	X	0	0	0	%100
128	M125B	Z	.543	.543	0	%100
129	M126B	X	0	0	0	%100
130	M126B	Z	.153	.153	0	%100
131	M127	X	0	0	0	%100
132	M127	Z	.12	.12	0	%100
133	M128A	X	0	0	0	%100
134	M128A	Z	.092	.092	0	%100
135	M131	X	0	0	0	%100
136	M131	Z	.026	.026	0	%100
137	M134	X	0	0	0	%100
138	M134	Z	.02	.02	0	%100
139	M139A	X	0	0	0	%100
140	M139A	Z	.033	.033	0	%100
141	M148	X	0	0	0	%100
142	M148	Z	.026	.026	0	%100
143	M147B	X	0	0	0	%100
144	M147B	Z	.108	.108	0	%100
145	M148B	X	0	0	0	%100
146	M148B	Z	.108	.108	0	%100
147	M153A	X	0	0	0	%100
148	M153A	Z	.108	.108	0	%100
149	M154A	X	0	0	0	%100
150	M154A	Z	.108	.108	0	%100
151	M159	X	0	0	0	%100
152	M159	Z	.108	.108	0	%100
153	M160	X	0	0	0	%100
154	M160	Z	.108	.108	0	%100
155	MP3C	X	0	0	0	%100
156	MP3C	Z	.478	.478	0	%100
157	R2	X	0	0	0	%100
158	R2	Z	.368	.368	0	%100

Member Distributed Loads (BLC 72 : Structure Wm (210 Deg))

	Member Label	Direction	Start Magnitude[lb/ft.F,ksf]	End Magnitude[lb/ft.F,ksf]	Start Location[ft....]	End Location[ft.%,]
1	M1	X	-.347	-.347	0	%100
2	M1	Z	.601	.601	0	%100
3	M3	X	-.157	-.157	0	%100
4	M3	Z	.272	.272	0	%100
5	M4	X	-.832	-.832	0	%100
6	M4	Z	1.442	1.442	0	%100
7	M5	X	-.042	-.042	0	%100
8	M5	Z	.072	.072	0	%100
9	M7	X	-.902	-.902	0	%100



Member Distributed Loads (BLC 72 : Structure Wm (210 Deg)) (Continued)

	Member Label	Direction	Start Magnitude[lb/ft.F,ksfl]	End Magnitude[lb/ft.F,ksfl]	Start Location[ft,...]	End Location[ft, %]
10	M7	Z	1.563	1.563	0	%100
11	M8	X	-.001	-.001	0	%100
12	M8	Z	.002	.002	0	%100
13	M30	X	-.14	-.14	0	%100
14	M30	Z	.243	.243	0	%100
15	M31	X	-.14	-.14	0	%100
16	M31	Z	.243	.243	0	%100
17	M33A	X	-.348	-.348	0	%100
18	M33A	Z	.603	.603	0	%100
19	MP1A	X	-.248	-.248	0	%100
20	MP1A	Z	.43	.43	0	%100
21	MP2A	X	-.248	-.248	0	%100
22	MP2A	Z	.43	.43	0	%100
23	MP3A	X	-.248	-.248	0	%100
24	MP3A	Z	.43	.43	0	%100
25	MP4A	X	-.248	-.248	0	%100
26	MP4A	Z	.43	.43	0	%100
27	R1	X	-.246	-.246	0	%100
28	R1	Z	.426	.426	0	%100
29	M52	X	-.11	-.11	0	%100
30	M52	Z	.19	.19	0	%100
31	M53	X	-.11	-.11	0	%100
32	M53	Z	.19	.19	0	%100
33	M55	X	-.378	-.378	0	%100
34	M55	Z	.654	.654	0	%100
35	M73A	X	-.498	-.498	0	%100
36	M73A	Z	.863	.863	0	%100
37	M74A	X	-.498	-.498	0	%100
38	M74A	Z	.863	.863	0	%100
39	M76A	X	-.00059	-.00059	0	%100
40	M76A	Z	.001	.001	0	%100
41	M81A	X	-.694	-.694	0	%100
42	M81A	Z	1.201	1.201	0	%100
43	M80	X	-.376	-.376	0	%100
44	M80	Z	.651	.651	0	%100
45	M81B	X	-.000587	-.000587	0	%100
46	M81B	Z	.001	.001	0	%100
47	MP1C	X	-.248	-.248	0	%100
48	MP1C	Z	.43	.43	0	%100
49	MP2C	X	-.248	-.248	0	%100
50	MP2C	Z	.43	.43	0	%100
51	MP32C	X	-.248	-.248	0	%100
52	MP32C	Z	.43	.43	0	%100
53	MP1B	X	-.248	-.248	0	%100
54	MP1B	Z	.43	.43	0	%100
55	MP2B	X	-.248	-.248	0	%100
56	MP2B	Z	.43	.43	0	%100
57	MP3B	X	-.248	-.248	0	%100
58	MP3B	Z	.43	.43	0	%100
59	MP4B	X	-.248	-.248	0	%100
60	MP4B	Z	.43	.43	0	%100
61	M81D	X	-.123	-.123	0	%100
62	M81D	Z	.213	.213	0	%100
63	M82C	X	-.902	-.902	0	%100
64	M82C	Z	1.563	1.563	0	%100
65	M83D	X	-.001	-.001	0	%100
66	M83D	Z	.002	.002	0	%100



Member Distributed Loads (BLC 72 : Structure Wm (210 Deg)) (Continued)

Member Label	Direction	Start Magnitude[lb/ft.F,ksf]	End Magnitude[lb/ft.F,ksf]	Start Location[ft....]	End Location[ft.-%]
67	M84C	X	-.832	-.832	0 %100
68	M84C	Z	1.442	1.442	0 %100
69	M87A	X	-.558	-.558	0 %100
70	M87A	Z	.967	.967	0 %100
71	M88A	X	-.001	-.001	0 %100
72	M88A	Z	.002	.002	0 %100
73	M89A	X	-.832	-.832	0 %100
74	M89A	Z	1.442	1.442	0 %100
75	M90A	X	-.902	-.902	0 %100
76	M90A	Z	1.563	1.563	0 %100
77	M87	X	-.752	-.752	0 %100
78	M87	Z	1.302	1.302	0 %100
79	M92A	X	-.001	-.001	0 %100
80	M92A	Z	.002	.002	0 %100
81	M95	X	-.416	-.416	0 %100
82	M95	Z	.721	.721	0 %100
83	M96	X	-.451	-.451	0 %100
84	M96	Z	.781	.781	0 %100
85	M97	X	-.000705	-.000705	0 %100
86	M97	Z	.001	.001	0 %100
87	M98	X	-.349	-.349	0 %100
88	M98	Z	.604	.604	0 %100
89	M99	X	-.349	-.349	0 %100
90	M99	Z	.604	.604	0 %100
91	M100	X	-.349	-.349	0 %100
92	M100	Z	.604	.604	0 %100
93	M101	X	-.349	-.349	0 %100
94	M101	Z	.604	.604	0 %100
95	M102	X	-.349	-.349	0 %100
96	M102	Z	.604	.604	0 %100
97	M103	X	-.349	-.349	0 %100
98	M103	Z	.604	.604	0 %100
99	M104	X	-.349	-.349	0 %100
100	M104	Z	.604	.604	0 %100
101	M105	X	-.349	-.349	0 %100
102	M105	Z	.604	.604	0 %100
103	M106	X	-.349	-.349	0 %100
104	M106	Z	.604	.604	0 %100
105	M107	X	-.349	-.349	0 %100
106	M107	Z	.604	.604	0 %100
107	M108	X	-.349	-.349	0 %100
108	M108	Z	.604	.604	0 %100
109	M109	X	-.349	-.349	0 %100
110	M109	Z	.604	.604	0 %100
111	M110	X	-.32	-.32	0 %100
112	M110	Z	.554	.554	0 %100
113	M111	X	-.32	-.32	0 %100
114	M111	Z	.554	.554	0 %100
115	M112	X	-.151	-.151	0 %100
116	M112	Z	.262	.262	0 %100
117	M113	X	-.151	-.151	0 %100
118	M113	Z	.262	.262	0 %100
119	M114	X	-.334	-.334	0 %100
120	M114	Z	.579	.579	0 %100
121	M118	X	-.171	-.171	0 %100
122	M118	Z	.297	.297	0 %100
123	M125A	X	-.000268	-.000268	0 %100



Member Distributed Loads (BLC 72 : Structure Wm (210 Deg)) (Continued)

	Member Label	Direction	Start Magnitude[lb/ft.F,ksf]	End Magnitude[lb/ft.F,ksf]	Start Location[ft,...]	End Location[ft, %]
124	M125A	Z	.000464	.000464	0	%100
125	M126A	X	-.158	-.158	0	%100
126	M126A	Z	.274	.274	0	%100
127	M125B	X	-.196	-.196	0	%100
128	M125B	Z	.339	.339	0	%100
129	M126B	X	-.212	-.212	0	%100
130	M126B	Z	.367	.367	0	%100
131	M127	X	-.000331	-.000331	0	%100
132	M127	Z	.000574	.000574	0	%100
133	M128A	X	-.033	-.033	0	%100
134	M128A	Z	.058	.058	0	%100
135	M131	X	-.036	-.036	0	%100
136	M131	Z	.062	.062	0	%100
137	M134	X	-5.6e-5	-5.6e-5	0	%100
138	M134	Z	9.7e-5	9.7e-5	0	%100
139	M139A	X	-.045	-.045	0	%100
140	M139A	Z	.078	.078	0	%100
141	M148	X	-7e-5	-7e-5	0	%100
142	M148	Z	.000122	.000122	0	%100
143	M147B	X	-.054	-.054	0	%100
144	M147B	Z	.094	.094	0	%100
145	M148B	X	-.054	-.054	0	%100
146	M148B	Z	.094	.094	0	%100
147	M153A	X	-.054	-.054	0	%100
148	M153A	Z	.094	.094	0	%100
149	M154A	X	-.054	-.054	0	%100
150	M154A	Z	.094	.094	0	%100
151	M159	X	-.054	-.054	0	%100
152	M159	Z	.094	.094	0	%100
153	M160	X	-.054	-.054	0	%100
154	M160	Z	.094	.094	0	%100
155	MP3C	X	-.248	-.248	0	%100
156	MP3C	Z	.43	.43	0	%100
157	R2	X	-.189	-.189	0	%100
158	R2	Z	.327	.327	0	%100

Member Distributed Loads (BLC 73 : Structure Wm (240 Deg))

	Member Label	Direction	Start Magnitude[lb/ft.F,ksf]	End Magnitude[lb/ft.F,ksf]	Start Location[ft,...]	End Location[ft, %]
1	M1	X	-.184	-.184	0	%100
2	M1	Z	.106	.106	0	%100
3	M3	X	-.755	-.755	0	%100
4	M3	Z	.436	.436	0	%100
5	M4	X	-.442	-.442	0	%100
6	M4	Z	.255	.255	0	%100
7	M5	X	-.022	-.022	0	%100
8	M5	Z	.013	.013	0	%100
9	M7	X	-2.002	-2.002	0	%100
10	M7	Z	1.156	1.156	0	%100
11	M8	X	-.563	-.563	0	%100
12	M8	Z	.325	.325	0	%100
13	M30	X	-.674	-.674	0	%100
14	M30	Z	.389	.389	0	%100
15	M31	X	-.674	-.674	0	%100
16	M31	Z	.389	.389	0	%100
17	M33A	X	-.185	-.185	0	%100
18	M33A	Z	.107	.107	0	%100



Member Distributed Loads (BLC 73 : Structure Wm (240 Deg)) (Continued)

	Member Label	Direction	Start Magnitude[lb/ft.F,ksf]	End Magnitude[lb/ft.F,ksf]	Start Location[ft....]	End Location[ft, %]
19	MP1A	X	-.461	-.461	0	%100
20	MP1A	Z	.266	.266	0	%100
21	MP2A	X	-.461	-.461	0	%100
22	MP2A	Z	.266	.266	0	%100
23	MP3A	X	-.461	-.461	0	%100
24	MP3A	Z	.266	.266	0	%100
25	MP4A	X	-.461	-.461	0	%100
26	MP4A	Z	.266	.266	0	%100
27	R1	X	-.45	-.45	0	%100
28	R1	Z	.26	.26	0	%100
29	M52	X	-.001	-.001	0	%100
30	M52	Z	.000608	.000608	0	%100
31	M53	X	-.001	-.001	0	%100
32	M53	Z	.000608	.000608	0	%100
33	M55	X	-.838	-.838	0	%100
34	M55	Z	.484	.484	0	%100
35	M73A	X	-.622	-.622	0	%100
36	M73A	Z	.359	.359	0	%100
37	M74A	X	-.622	-.622	0	%100
38	M74A	Z	.359	.359	0	%100
39	M76A	X	-.236	-.236	0	%100
40	M76A	Z	.136	.136	0	%100
41	M81A	X	-.368	-.368	0	%100
42	M81A	Z	.213	.213	0	%100
43	M80	X	-.834	-.834	0	%100
44	M80	Z	.482	.482	0	%100
45	M81B	X	-.235	-.235	0	%100
46	M81B	Z	.135	.135	0	%100
47	MP1C	X	-.461	-.461	0	%100
48	MP1C	Z	.266	.266	0	%100
49	MP2C	X	-.461	-.461	0	%100
50	MP2C	Z	.266	.266	0	%100
51	MP32C	X	-.461	-.461	0	%100
52	MP32C	Z	.266	.266	0	%100
53	MP1B	X	-.461	-.461	0	%100
54	MP1B	Z	.266	.266	0	%100
55	MP2B	X	-.461	-.461	0	%100
56	MP2B	Z	.266	.266	0	%100
57	MP3B	X	-.461	-.461	0	%100
58	MP3B	Z	.266	.266	0	%100
59	MP4B	X	-.461	-.461	0	%100
60	MP4B	Z	.266	.266	0	%100
61	M81D	X	-.001	-.001	0	%100
62	M81D	Z	.000681	.000681	0	%100
63	M82C	X	-2.002	-2.002	0	%100
64	M82C	Z	1.156	1.156	0	%100
65	M83D	X	-.563	-.563	0	%100
66	M83D	Z	.325	.325	0	%100
67	M84C	X	-.442	-.442	0	%100
68	M84C	Z	.255	.255	0	%100
69	M87A	X	-.696	-.696	0	%100
70	M87A	Z	.402	.402	0	%100
71	M88A	X	-.563	-.563	0	%100
72	M88A	Z	.325	.325	0	%100
73	M89A	X	-.442	-.442	0	%100
74	M89A	Z	.255	.255	0	%100
75	M90A	X	-2.002	-2.002	0	%100



Member Distributed Loads (BLC 73 : Structure Wm (240 Deg)) (Continued)

Member Label	Direction	Start Magnitude[lb/ft.F,ksfl]	End Magnitude[lb/ft.F,ksfl]	Start Location[ft,...]	End Location[ft, %]
76	M90A	Z	1.156	1.156	0 %100
77	M87	X	-1.669	-1.669	0 %100
78	M87	Z	.963	.963	0 %100
79	M92A	X	-.469	-.469	0 %100
80	M92A	Z	.271	.271	0 %100
81	M95	X	-.221	-.221	0 %100
82	M95	Z	.128	.128	0 %100
83	M96	X	-1.001	-1.001	0 %100
84	M96	Z	.578	.578	0 %100
85	M97	X	-.281	-.281	0 %100
86	M97	Z	.163	.163	0 %100
87	M98	X	-.604	-.604	0 %100
88	M98	Z	.349	.349	0 %100
89	M99	X	-.604	-.604	0 %100
90	M99	Z	.349	.349	0 %100
91	M100	X	-.604	-.604	0 %100
92	M100	Z	.349	.349	0 %100
93	M101	X	-.604	-.604	0 %100
94	M101	Z	.349	.349	0 %100
95	M102	X	-.604	-.604	0 %100
96	M102	Z	.349	.349	0 %100
97	M103	X	-.604	-.604	0 %100
98	M103	Z	.349	.349	0 %100
99	M104	X	-.604	-.604	0 %100
100	M104	Z	.349	.349	0 %100
101	M105	X	-.604	-.604	0 %100
102	M105	Z	.349	.349	0 %100
103	M106	X	-.604	-.604	0 %100
104	M106	Z	.349	.349	0 %100
105	M107	X	-.604	-.604	0 %100
106	M107	Z	.349	.349	0 %100
107	M108	X	-.604	-.604	0 %100
108	M108	Z	.349	.349	0 %100
109	M109	X	-.604	-.604	0 %100
110	M109	Z	.349	.349	0 %100
111	M110	X	-.351	-.351	0 %100
112	M110	Z	.203	.203	0 %100
113	M111	X	-.351	-.351	0 %100
114	M111	Z	.203	.203	0 %100
115	M112	X	-.376	-.376	0 %100
116	M112	Z	.217	.217	0 %100
117	M113	X	-.376	-.376	0 %100
118	M113	Z	.217	.217	0 %100
119	M114	X	-.668	-.668	0 %100
120	M114	Z	.386	.386	0 %100
121	M118	X	-.38	-.38	0 %100
122	M118	Z	.22	.22	0 %100
123	M125A	X	-.107	-.107	0 %100
124	M125A	Z	.062	.062	0 %100
125	M126A	X	-.084	-.084	0 %100
126	M126A	Z	.048	.048	0 %100
127	M125B	X	-.104	-.104	0 %100
128	M125B	Z	.06	.06	0 %100
129	M126B	X	-.47	-.47	0 %100
130	M126B	Z	.272	.272	0 %100
131	M127	X	-.132	-.132	0 %100
132	M127	Z	.076	.076	0 %100



Member Distributed Loads (BLC 73 : Structure Wm (240 Deg)) (Continued)

	Member Label	Direction	Start Magnitude[lb/ft.F,ksf]	End Magnitude[lb/ft.F,ksf]	Start Location[ft....]	End Location[ft.%,]
133	M128A	X	-.018	-.018	0	%100
134	M128A	Z	.01	.01	0	%100
135	M131	X	-.08	-.08	0	%100
136	M131	Z	.046	.046	0	%100
137	M134	X	-.022	-.022	0	%100
138	M134	Z	.013	.013	0	%100
139	M139A	X	-.1	-.1	0	%100
140	M139A	Z	.058	.058	0	%100
141	M148	X	-.028	-.028	0	%100
142	M148	Z	.016	.016	0	%100
143	M147B	X	-.05	-.05	0	%100
144	M147B	Z	.029	.029	0	%100
145	M148B	X	-.05	-.05	0	%100
146	M148B	Z	.029	.029	0	%100
147	M153A	X	-.05	-.05	0	%100
148	M153A	Z	.029	.029	0	%100
149	M154A	X	-.05	-.05	0	%100
150	M154A	Z	.029	.029	0	%100
151	M159	X	-.05	-.05	0	%100
152	M159	Z	.029	.029	0	%100
153	M160	X	-.05	-.05	0	%100
154	M160	Z	.029	.029	0	%100
155	MP3C	X	-.461	-.461	0	%100
156	MP3C	Z	.266	.266	0	%100
157	R2	X	-.344	-.344	0	%100
158	R2	Z	.199	.199	0	%100

Member Distributed Loads (BLC 74 : Structure Wm (270 Deg))

	Member Label	Direction	Start Magnitude[lb/ft.F,ksf]	End Magnitude[lb/ft.F,ksf]	Start Location[ft....]	End Location[ft.%,]
1	M1	X	-.001	-.001	0	%100
2	M1	Z	0	0	0	%100
3	M3	X	-1.116	-1.116	0	%100
4	M3	Z	0	0	0	%100
5	M4	X	-.003	-.003	0	%100
6	M4	Z	0	0	0	%100
7	M5	X	-.000141	-.000141	0	%100
8	M5	Z	0	0	0	%100
9	M7	X	-1.665	-1.665	0	%100
10	M7	Z	0	0	0	%100
11	M8	X	-1.805	-1.805	0	%100
12	M8	Z	0	0	0	%100
13	M30	X	-.997	-.997	0	%100
14	M30	Z	0	0	0	%100
15	M31	X	-.997	-.997	0	%100
16	M31	Z	0	0	0	%100
17	M33A	X	-.001	-.001	0	%100
18	M33A	Z	0	0	0	%100
19	MP1A	X	-.55	-.55	0	%100
20	MP1A	Z	0	0	0	%100
21	MP2A	X	-.55	-.55	0	%100
22	MP2A	Z	0	0	0	%100
23	MP3A	X	-.55	-.55	0	%100
24	MP3A	Z	0	0	0	%100
25	MP4A	X	-.55	-.55	0	%100
26	MP4A	Z	0	0	0	%100
27	R1	X	-.533	-.533	0	%100



Member Distributed Loads (BLC 74 : Structure Wm (270 Deg)) (Continued)

	Member Label	Direction	Start Magnitude[lb/ft.F,ksfl]	End Magnitude[lb/ft.F,ksfl]	Start Location[ft....]	End Location[ft.-%]
28	R1	Z	0	0	0	%100
29	M52	X	-.28	-.28	0	%100
30	M52	Z	0	0	0	%100
31	M53	X	-.28	-.28	0	%100
32	M53	Z	0	0	0	%100
33	M55	X	-.697	-.697	0	%100
34	M55	Z	0	0	0	%100
35	M73A	X	-.22	-.22	0	%100
36	M73A	Z	0	0	0	%100
37	M74A	X	-.22	-.22	0	%100
38	M74A	Z	0	0	0	%100
39	M76A	X	-.755	-.755	0	%100
40	M76A	Z	0	0	0	%100
41	M81A	X	-.002	-.002	0	%100
42	M81A	Z	0	0	0	%100
43	M80	X	-.694	-.694	0	%100
44	M80	Z	0	0	0	%100
45	M81B	X	-.752	-.752	0	%100
46	M81B	Z	0	0	0	%100
47	MP1C	X	-.55	-.55	0	%100
48	MP1C	Z	0	0	0	%100
49	MP2C	X	-.55	-.55	0	%100
50	MP2C	Z	0	0	0	%100
51	MP32C	X	-.55	-.55	0	%100
52	MP32C	Z	0	0	0	%100
53	MP1B	X	-.55	-.55	0	%100
54	MP1B	Z	0	0	0	%100
55	MP2B	X	-.55	-.55	0	%100
56	MP2B	Z	0	0	0	%100
57	MP3B	X	-.55	-.55	0	%100
58	MP3B	Z	0	0	0	%100
59	MP4B	X	-.55	-.55	0	%100
60	MP4B	Z	0	0	0	%100
61	M81D	X	-.314	-.314	0	%100
62	M81D	Z	0	0	0	%100
63	M82C	X	-1.665	-1.665	0	%100
64	M82C	Z	0	0	0	%100
65	M83D	X	-1.805	-1.805	0	%100
66	M83D	Z	0	0	0	%100
67	M84C	X	-.003	-.003	0	%100
68	M84C	Z	0	0	0	%100
69	M87A	X	-.246	-.246	0	%100
70	M87A	Z	0	0	0	%100
71	M88A	X	-1.805	-1.805	0	%100
72	M88A	Z	0	0	0	%100
73	M89A	X	-.003	-.003	0	%100
74	M89A	Z	0	0	0	%100
75	M90A	X	-1.665	-1.665	0	%100
76	M90A	Z	0	0	0	%100
77	M87	X	-1.387	-1.387	0	%100
78	M87	Z	0	0	0	%100
79	M92A	X	-1.504	-1.504	0	%100
80	M92A	Z	0	0	0	%100
81	M95	X	-.001	-.001	0	%100
82	M95	Z	0	0	0	%100
83	M96	X	-.832	-.832	0	%100
84	M96	Z	0	0	0	%100



Member Distributed Loads (BLC 74 : Structure Wm (270 Deg)) (Continued)

	Member Label	Direction	Start Magnitude[lb/ft.F,ksf]	End Magnitude[lb/ft.F,ksf]	Start Location[ft....]	End Location[ft.-%]
85	M97	X	-.902	-.902	0	%100
86	M97	Z	0	0	0	%100
87	M98	X	-.698	-.698	0	%100
88	M98	Z	0	0	0	%100
89	M99	X	-.698	-.698	0	%100
90	M99	Z	0	0	0	%100
91	M100	X	-.698	-.698	0	%100
92	M100	Z	0	0	0	%100
93	M101	X	-.698	-.698	0	%100
94	M101	Z	0	0	0	%100
95	M102	X	-.698	-.698	0	%100
96	M102	Z	0	0	0	%100
97	M103	X	-.698	-.698	0	%100
98	M103	Z	0	0	0	%100
99	M104	X	-.698	-.698	0	%100
100	M104	Z	0	0	0	%100
101	M105	X	-.698	-.698	0	%100
102	M105	Z	0	0	0	%100
103	M106	X	-.698	-.698	0	%100
104	M106	Z	0	0	0	%100
105	M107	X	-.698	-.698	0	%100
106	M107	Z	0	0	0	%100
107	M108	X	-.698	-.698	0	%100
108	M108	Z	0	0	0	%100
109	M109	X	-.698	-.698	0	%100
110	M109	Z	0	0	0	%100
111	M110	X	-.303	-.303	0	%100
112	M110	Z	0	0	0	%100
113	M111	X	-.303	-.303	0	%100
114	M111	Z	0	0	0	%100
115	M112	X	-.668	-.668	0	%100
116	M112	Z	0	0	0	%100
117	M113	X	-.668	-.668	0	%100
118	M113	Z	0	0	0	%100
119	M114	X	-.64	-.64	0	%100
120	M114	Z	0	0	0	%100
121	M118	X	-.316	-.316	0	%100
122	M118	Z	0	0	0	%100
123	M125A	X	-.343	-.343	0	%100
124	M125A	Z	0	0	0	%100
125	M126A	X	-.000536	-.000536	0	%100
126	M126A	Z	0	0	0	%100
127	M125B	X	-.000662	-.000662	0	%100
128	M125B	Z	0	0	0	%100
129	M126B	X	-.391	-.391	0	%100
130	M126B	Z	0	0	0	%100
131	M127	X	-.424	-.424	0	%100
132	M127	Z	0	0	0	%100
133	M128A	X	-.000113	-.000113	0	%100
134	M128A	Z	0	0	0	%100
135	M131	X	-.066	-.066	0	%100
136	M131	Z	0	0	0	%100
137	M134	X	-.072	-.072	0	%100
138	M134	Z	0	0	0	%100
139	M139A	X	-.083	-.083	0	%100
140	M139A	Z	0	0	0	%100
141	M148	X	-.09	-.09	0	%100



Member Distributed Loads (BLC 74 : Structure Wm (270 Deg)) (Continued)

	Member Label	Direction	Start Magnitude[lb/ft.F,ksf]	End Magnitude[lb/ft.F,ksf]	Start Location[ft,...]	End Location[ft, %]
142	M148	Z	0	0	0	%100
143	M147B	X	-0.008	-0.008	0	%100
144	M147B	Z	0	0	0	%100
145	M148B	X	-0.008	-0.008	0	%100
146	M148B	Z	0	0	0	%100
147	M153A	X	-0.008	-0.008	0	%100
148	M153A	Z	0	0	0	%100
149	M154A	X	-0.008	-0.008	0	%100
150	M154A	Z	0	0	0	%100
151	M159	X	-0.008	-0.008	0	%100
152	M159	Z	0	0	0	%100
153	M160	X	-0.008	-0.008	0	%100
154	M160	Z	0	0	0	%100
155	MP3C	X	-0.55	-0.55	0	%100
156	MP3C	Z	0	0	0	%100
157	R2	X	-0.407	-0.407	0	%100
158	R2	Z	0	0	0	%100

Member Distributed Loads (BLC 75 : Structure Wm (300 Deg))

	Member Label	Direction	Start Magnitude[lb/ft.F,ksf]	End Magnitude[lb/ft.F,ksf]	Start Location[ft,...]	End Location[ft, %]
1	M1	X	-0.235	-0.235	0	%100
2	M1	Z	-0.135	-0.135	0	%100
3	M3	X	-0.696	-0.696	0	%100
4	M3	Z	-0.402	-0.402	0	%100
5	M4	X	-0.563	-0.563	0	%100
6	M4	Z	-0.325	-0.325	0	%100
7	M5	X	-0.028	-0.028	0	%100
8	M5	Z	-0.016	-0.016	0	%100
9	M7	X	-0.442	-0.442	0	%100
10	M7	Z	-0.255	-0.255	0	%100
11	M8	X	-2.002	-2.002	0	%100
12	M8	Z	-1.156	-1.156	0	%100
13	M30	X	-0.622	-0.622	0	%100
14	M30	Z	-0.359	-0.359	0	%100
15	M31	X	-0.622	-0.622	0	%100
16	M31	Z	-0.359	-0.359	0	%100
17	M33A	X	-0.236	-0.236	0	%100
18	M33A	Z	-0.136	-0.136	0	%100
19	MP1A	X	-0.461	-0.461	0	%100
20	MP1A	Z	-0.266	-0.266	0	%100
21	MP2A	X	-0.461	-0.461	0	%100
22	MP2A	Z	-0.266	-0.266	0	%100
23	MP3A	X	-0.461	-0.461	0	%100
24	MP3A	Z	-0.266	-0.266	0	%100
25	MP4A	X	-0.461	-0.461	0	%100
26	MP4A	Z	-0.266	-0.266	0	%100
27	R1	X	-0.45	-0.45	0	%100
28	R1	Z	-0.26	-0.26	0	%100
29	M52	X	-0.674	-0.674	0	%100
30	M52	Z	-0.389	-0.389	0	%100
31	M53	X	-0.674	-0.674	0	%100
32	M53	Z	-0.389	-0.389	0	%100
33	M55	X	-0.185	-0.185	0	%100
34	M55	Z	-0.107	-0.107	0	%100
35	M73A	X	-0.001	-0.001	0	%100
36	M73A	Z	-0.000608	-0.000608	0	%100



Member Distributed Loads (BLC 75 : Structure Wm (300 Deg)) (Continued)

	Member Label	Direction	Start Magnitude[lb/ft.F,ksf]	End Magnitude[lb/ft.F,ksf]	Start Location[ft,...]	End Location[ft, %]
37	M74A	X	-0.001	-0.001	0	%100
38	M74A	Z	-0.00608	-0.00608	0	%100
39	M76A	X	-0.838	-0.838	0	%100
40	M76A	Z	-0.484	-0.484	0	%100
41	M81A	X	-0.469	-0.469	0	%100
42	M81A	Z	-0.271	-0.271	0	%100
43	M80	X	-0.184	-0.184	0	%100
44	M80	Z	-0.106	-0.106	0	%100
45	M81B	X	-0.834	-0.834	0	%100
46	M81B	Z	-0.482	-0.482	0	%100
47	MP1C	X	-0.461	-0.461	0	%100
48	MP1C	Z	-0.266	-0.266	0	%100
49	MP2C	X	-0.461	-0.461	0	%100
50	MP2C	Z	-0.266	-0.266	0	%100
51	MP32C	X	-0.461	-0.461	0	%100
52	MP32C	Z	-0.266	-0.266	0	%100
53	MP1B	X	-0.461	-0.461	0	%100
54	MP1B	Z	-0.266	-0.266	0	%100
55	MP2B	X	-0.461	-0.461	0	%100
56	MP2B	Z	-0.266	-0.266	0	%100
57	MP3B	X	-0.461	-0.461	0	%100
58	MP3B	Z	-0.266	-0.266	0	%100
59	MP4B	X	-0.461	-0.461	0	%100
60	MP4B	Z	-0.266	-0.266	0	%100
61	M81D	X	-0.755	-0.755	0	%100
62	M81D	Z	-0.436	-0.436	0	%100
63	M82C	X	-0.442	-0.442	0	%100
64	M82C	Z	-0.255	-0.255	0	%100
65	M83D	X	-2.002	-2.002	0	%100
66	M83D	Z	-1.156	-1.156	0	%100
67	M84C	X	-0.563	-0.563	0	%100
68	M84C	Z	-0.325	-0.325	0	%100
69	M87A	X	-0.001	-0.001	0	%100
70	M87A	Z	-0.00681	-0.00681	0	%100
71	M88A	X	-2.002	-2.002	0	%100
72	M88A	Z	-1.156	-1.156	0	%100
73	M89A	X	-0.563	-0.563	0	%100
74	M89A	Z	-0.325	-0.325	0	%100
75	M90A	X	-0.442	-0.442	0	%100
76	M90A	Z	-0.255	-0.255	0	%100
77	M87	X	-0.368	-0.368	0	%100
78	M87	Z	-0.213	-0.213	0	%100
79	M92A	X	-1.669	-1.669	0	%100
80	M92A	Z	-0.963	-0.963	0	%100
81	M95	X	-0.281	-0.281	0	%100
82	M95	Z	-0.163	-0.163	0	%100
83	M96	X	-0.221	-0.221	0	%100
84	M96	Z	-0.128	-0.128	0	%100
85	M97	X	-1.001	-1.001	0	%100
86	M97	Z	-0.578	-0.578	0	%100
87	M98	X	-0.604	-0.604	0	%100
88	M98	Z	-0.349	-0.349	0	%100
89	M99	X	-0.604	-0.604	0	%100
90	M99	Z	-0.349	-0.349	0	%100
91	M100	X	-0.604	-0.604	0	%100
92	M100	Z	-0.349	-0.349	0	%100
93	M101	X	-0.604	-0.604	0	%100



Member Distributed Loads (BLC 75 : Structure Wm (300 Deg)) (Continued)

	Member Label	Direction	Start Magnitude[lb/ft.F,ksfl]	End Magnitude[lb/ft.F,ksfl]	Start Location[ft,...]	End Location[ft, %]
94	M101	Z	-.349	-.349	0	%100
95	M102	X	-.604	-.604	0	%100
96	M102	Z	-.349	-.349	0	%100
97	M103	X	-.604	-.604	0	%100
98	M103	Z	-.349	-.349	0	%100
99	M104	X	-.604	-.604	0	%100
100	M104	Z	-.349	-.349	0	%100
101	M105	X	-.604	-.604	0	%100
102	M105	Z	-.349	-.349	0	%100
103	M106	X	-.604	-.604	0	%100
104	M106	Z	-.349	-.349	0	%100
105	M107	X	-.604	-.604	0	%100
106	M107	Z	-.349	-.349	0	%100
107	M108	X	-.604	-.604	0	%100
108	M108	Z	-.349	-.349	0	%100
109	M109	X	-.604	-.604	0	%100
110	M109	Z	-.349	-.349	0	%100
111	M110	X	-.376	-.376	0	%100
112	M110	Z	-.217	-.217	0	%100
113	M111	X	-.376	-.376	0	%100
114	M111	Z	-.217	-.217	0	%100
115	M112	X	-.668	-.668	0	%100
116	M112	Z	-.386	-.386	0	%100
117	M113	X	-.668	-.668	0	%100
118	M113	Z	-.386	-.386	0	%100
119	M114	X	-.351	-.351	0	%100
120	M114	Z	-.203	-.203	0	%100
121	M118	X	-.084	-.084	0	%100
122	M118	Z	-.048	-.048	0	%100
123	M125A	X	-.38	-.38	0	%100
124	M125A	Z	-.22	-.22	0	%100
125	M126A	X	-.107	-.107	0	%100
126	M126A	Z	-.062	-.062	0	%100
127	M125B	X	-.132	-.132	0	%100
128	M125B	Z	-.076	-.076	0	%100
129	M126B	X	-.104	-.104	0	%100
130	M126B	Z	-.06	-.06	0	%100
131	M127	X	-.47	-.47	0	%100
132	M127	Z	-.272	-.272	0	%100
133	M128A	X	-.022	-.022	0	%100
134	M128A	Z	-.013	-.013	0	%100
135	M131	X	-.018	-.018	0	%100
136	M131	Z	-.01	-.01	0	%100
137	M134	X	-.08	-.08	0	%100
138	M134	Z	-.046	-.046	0	%100
139	M139A	X	-.022	-.022	0	%100
140	M139A	Z	-.013	-.013	0	%100
141	M148	X	-.1	-.1	0	%100
142	M148	Z	-.058	-.058	0	%100
143	M147B	X	-.007	-.007	0	%100
144	M147B	Z	-.004	-.004	0	%100
145	M148B	X	-.007	-.007	0	%100
146	M148B	Z	-.004	-.004	0	%100
147	M153A	X	-.007	-.007	0	%100
148	M153A	Z	-.004	-.004	0	%100
149	M154A	X	-.007	-.007	0	%100
150	M154A	Z	-.004	-.004	0	%100



Member Distributed Loads (BLC 75 : Structure Wm (300 Deg)) (Continued)

	Member Label	Direction	Start Magnitude[lb/ft.F,ksf]	End Magnitude[lb/ft.F,ksf]	Start Location[ft,...]	End Location[ft, %]
151	M159	X	-0.07	-0.07	0	%100
152	M159	Z	-0.04	-0.04	0	%100
153	M160	X	-0.07	-0.07	0	%100
154	M160	Z	-0.04	-0.04	0	%100
155	MP3C	X	-0.461	-0.461	0	%100
156	MP3C	Z	-0.266	-0.266	0	%100
157	R2	X	-0.344	-0.344	0	%100
158	R2	Z	-0.199	-0.199	0	%100

Member Distributed Loads (BLC 76 : Structure Wm (330 Deg))

	Member Label	Direction	Start Magnitude[lb/ft.F,ksf]	End Magnitude[lb/ft.F,ksf]	Start Location[ft,...]	End Location[ft, %]
1	M1	X	-0.376	-0.376	0	%100
2	M1	Z	-0.651	-0.651	0	%100
3	M3	X	-0.123	-0.123	0	%100
4	M3	Z	-0.213	-0.213	0	%100
5	M4	X	-0.902	-0.902	0	%100
6	M4	Z	-1.563	-1.563	0	%100
7	M5	X	-0.045	-0.045	0	%100
8	M5	Z	-0.078	-0.078	0	%100
9	M7	X	-0.001	-0.001	0	%100
10	M7	Z	-0.002	-0.002	0	%100
11	M8	X	-0.832	-0.832	0	%100
12	M8	Z	-1.442	-1.442	0	%100
13	M30	X	-0.11	-0.11	0	%100
14	M30	Z	-0.19	-0.19	0	%100
15	M31	X	-0.11	-0.11	0	%100
16	M31	Z	-0.19	-0.19	0	%100
17	M33A	X	-0.378	-0.378	0	%100
18	M33A	Z	-0.654	-0.654	0	%100
19	MP1A	X	-0.248	-0.248	0	%100
20	MP1A	Z	-0.43	-0.43	0	%100
21	MP2A	X	-0.248	-0.248	0	%100
22	MP2A	Z	-0.43	-0.43	0	%100
23	MP3A	X	-0.248	-0.248	0	%100
24	MP3A	Z	-0.43	-0.43	0	%100
25	MP4A	X	-0.248	-0.248	0	%100
26	MP4A	Z	-0.43	-0.43	0	%100
27	R1	X	-0.246	-0.246	0	%100
28	R1	Z	-0.426	-0.426	0	%100
29	M52	X	-0.498	-0.498	0	%100
30	M52	Z	-0.863	-0.863	0	%100
31	M53	X	-0.498	-0.498	0	%100
32	M53	Z	-0.863	-0.863	0	%100
33	M55	X	-0.00059	-0.00059	0	%100
34	M55	Z	-0.001	-0.001	0	%100
35	M73A	X	-0.14	-0.14	0	%100
36	M73A	Z	-0.243	-0.243	0	%100
37	M74A	X	-0.14	-0.14	0	%100
38	M74A	Z	-0.243	-0.243	0	%100
39	M76A	X	-0.348	-0.348	0	%100
40	M76A	Z	-0.603	-0.603	0	%100
41	M81A	X	-0.752	-0.752	0	%100
42	M81A	Z	-1.302	-1.302	0	%100
43	M80	X	-0.000587	-0.000587	0	%100
44	M80	Z	-0.001	-0.001	0	%100
45	M81B	X	-0.347	-0.347	0	%100



Member Distributed Loads (BLC 76 : Structure Wm (330 Deg)) (Continued)

Member Label	Direction	Start Magnitude[lb/ft.F,ksfl]	End Magnitude[lb/ft.F,ksfl]	Start Location[ft,...]	End Location[ft, %]
46	M81B	Z	-601	-601	0 %100
47	MP1C	X	-248	-248	0 %100
48	MP1C	Z	-43	-43	0 %100
49	MP2C	X	-248	-248	0 %100
50	MP2C	Z	-43	-43	0 %100
51	MP32C	X	-248	-248	0 %100
52	MP32C	Z	-43	-43	0 %100
53	MP1B	X	-248	-248	0 %100
54	MP1B	Z	-43	-43	0 %100
55	MP2B	X	-248	-248	0 %100
56	MP2B	Z	-43	-43	0 %100
57	MP3B	X	-248	-248	0 %100
58	MP3B	Z	-43	-43	0 %100
59	MP4B	X	-248	-248	0 %100
60	MP4B	Z	-43	-43	0 %100
61	M81D	X	-558	-558	0 %100
62	M81D	Z	-967	-967	0 %100
63	M82C	X	-001	-001	0 %100
64	M82C	Z	-002	-002	0 %100
65	M83D	X	-832	-832	0 %100
66	M83D	Z	-1.442	-1.442	0 %100
67	M84C	X	-902	-902	0 %100
68	M84C	Z	-1.563	-1.563	0 %100
69	M87A	X	-157	-157	0 %100
70	M87A	Z	-272	-272	0 %100
71	M88A	X	-832	-832	0 %100
72	M88A	Z	-1.442	-1.442	0 %100
73	M89A	X	-902	-902	0 %100
74	M89A	Z	-1.563	-1.563	0 %100
75	M90A	X	-001	-001	0 %100
76	M90A	Z	-002	-002	0 %100
77	M87	X	-001	-001	0 %100
78	M87	Z	-002	-002	0 %100
79	M92A	X	-694	-694	0 %100
80	M92A	Z	-1.201	-1.201	0 %100
81	M95	X	-451	-451	0 %100
82	M95	Z	-781	-781	0 %100
83	M96	X	-000705	-000705	0 %100
84	M96	Z	-001	-001	0 %100
85	M97	X	-416	-416	0 %100
86	M97	Z	-721	-721	0 %100
87	M98	X	-349	-349	0 %100
88	M98	Z	-604	-604	0 %100
89	M99	X	-349	-349	0 %100
90	M99	Z	-604	-604	0 %100
91	M100	X	-349	-349	0 %100
92	M100	Z	-604	-604	0 %100
93	M101	X	-349	-349	0 %100
94	M101	Z	-604	-604	0 %100
95	M102	X	-349	-349	0 %100
96	M102	Z	-604	-604	0 %100
97	M103	X	-349	-349	0 %100
98	M103	Z	-604	-604	0 %100
99	M104	X	-349	-349	0 %100
100	M104	Z	-604	-604	0 %100
101	M105	X	-349	-349	0 %100
102	M105	Z	-604	-604	0 %100



Member Distributed Loads (BLC 76 : Structure Wm (330 Deg)) (Continued)

	Member Label	Direction	Start Magnitude[lb/ft.F,ksf]	End Magnitude[lb/ft.F,ksf]	Start Location[ft....]	End Location[ft.-%]
103	M106	X	-.349	-.349	0	%100
104	M106	Z	-.604	-.604	0	%100
105	M107	X	-.349	-.349	0	%100
106	M107	Z	-.604	-.604	0	%100
107	M108	X	-.349	-.349	0	%100
108	M108	Z	-.604	-.604	0	%100
109	M109	X	-.349	-.349	0	%100
110	M109	Z	-.604	-.604	0	%100
111	M110	X	-.334	-.334	0	%100
112	M110	Z	-.579	-.579	0	%100
113	M111	X	-.334	-.334	0	%100
114	M111	Z	-.579	-.579	0	%100
115	M112	X	-.32	-.32	0	%100
116	M112	Z	-.554	-.554	0	%100
117	M113	X	-.32	-.32	0	%100
118	M113	Z	-.554	-.554	0	%100
119	M114	X	-.151	-.151	0	%100
120	M114	Z	-.262	-.262	0	%100
121	M118	X	-.000268	-.000268	0	%100
122	M118	Z	-.000464	-.000464	0	%100
123	M125A	X	-.158	-.158	0	%100
124	M125A	Z	-.274	-.274	0	%100
125	M126A	X	-.171	-.171	0	%100
126	M126A	Z	-.297	-.297	0	%100
127	M125B	X	-.212	-.212	0	%100
128	M125B	Z	-.367	-.367	0	%100
129	M126B	X	-.000331	-.000331	0	%100
130	M126B	Z	-.000574	-.000574	0	%100
131	M127	X	-.196	-.196	0	%100
132	M127	Z	-.339	-.339	0	%100
133	M128A	X	-.036	-.036	0	%100
134	M128A	Z	-.062	-.062	0	%100
135	M131	X	-5.6e-5	-5.6e-5	0	%100
136	M131	Z	-9.7e-5	-9.7e-5	0	%100
137	M134	X	-.033	-.033	0	%100
138	M134	Z	-.058	-.058	0	%100
139	M139A	X	-7e-5	-7e-5	0	%100
140	M139A	Z	-.000122	-.000122	0	%100
141	M148	X	-.042	-.042	0	%100
142	M148	Z	-.072	-.072	0	%100
143	M147B	X	-.029	-.029	0	%100
144	M147B	Z	-.05	-.05	0	%100
145	M148B	X	-.029	-.029	0	%100
146	M148B	Z	-.05	-.05	0	%100
147	M153A	X	-.029	-.029	0	%100
148	M153A	Z	-.05	-.05	0	%100
149	M154A	X	-.029	-.029	0	%100
150	M154A	Z	-.05	-.05	0	%100
151	M159	X	-.029	-.029	0	%100
152	M159	Z	-.05	-.05	0	%100
153	M160	X	-.029	-.029	0	%100
154	M160	Z	-.05	-.05	0	%100
155	MP3C	X	-.248	-.248	0	%100
156	MP3C	Z	-.43	-.43	0	%100
157	R2	X	-.189	-.189	0	%100
158	R2	Z	-.327	-.327	0	%100



Member Distributed Loads (BLC 81 : BLC 39 Transient Area Loads)

	Member Label	Direction	Start Magnitude[lb/ft.F,ksf]	End Magnitude[lb/ft.F,ksf]	Start Location[ft,...]	End Location[ft, %]
1	M31	Y	-21.5	-21.5	0	.501
2	M52	Y	-21.501	-21.501	0	.501
3	M92A	Y	-9.078	-7.717	4.854	5.687
4	M92A	Y	-7.717	-7.717	5.687	6.521
5	M92A	Y	-7.717	-9.08	6.521	7.354
6	M30	Y	-14.053	-14.053	0	.501
7	M74A	Y	-18.768	-18.768	0	.501
8	M87	Y	-5.364	-5.228	3.662	6.104
9	M87	Y	-5.228	-5.091	6.104	8.546
10	M53	Y	-18.769	-18.769	0	.501
11	M73A	Y	-14.048	-14.048	0	.501
12	M81A	Y	-5.364	-5.228	3.662	6.104
13	M81A	Y	-5.228	-5.092	6.104	8.546

Member Distributed Loads (BLC 82 : BLC 40 Transient Area Loads)

	Member Label	Direction	Start Magnitude[lb/ft.F,ksf]	End Magnitude[lb/ft.F,ksf]	Start Location[ft,...]	End Location[ft, %]
1	M31	Y	-24.895	-24.895	0	.501
2	M52	Y	-24.896	-24.896	0	.501
3	M92A	Y	-10.512	-8.935	4.854	5.687
4	M92A	Y	-8.935	-8.936	5.687	6.521
5	M92A	Y	-8.936	-10.514	6.521	7.354
6	M30	Y	-16.271	-16.271	0	.501
7	M74A	Y	-21.731	-21.731	0	.501
8	M87	Y	-6.211	-6.053	3.662	6.104
9	M87	Y	-6.053	-5.895	6.104	8.546
10	M53	Y	-21.732	-21.732	0	.501
11	M73A	Y	-16.266	-16.266	0	.501
12	M81A	Y	-6.211	-6.053	3.662	6.104
13	M81A	Y	-6.053	-5.896	6.104	8.546

Member Area Loads (BLC 39 : Structure D)

	Joint A	Joint B	Joint C	Joint D	Direction	Distribution	Magnitude[ksf]
1	N162	N89	N50	N94A	Y	Two Way	-.005
2	N90A	N149B	N126A	N51	Y	Two Way	-.005
3	N104A	N138	N127	N93A	Y	Two Way	-.005

Member Area Loads (BLC 40 : Structure Di)

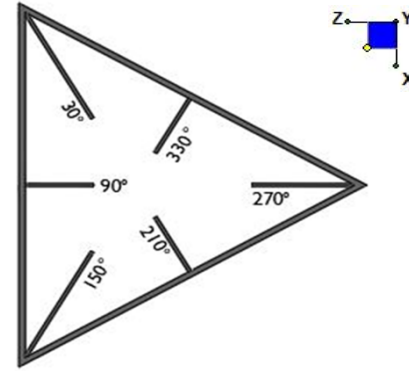
	Joint A	Joint B	Joint C	Joint D	Direction	Distribution	Magnitude[ksf]
1	N162	N89	N50	N94A	Y	Two Way	-.006
2	N90A	N149B	N126A	N51	Y	Two Way	-.006
3	N104A	N138	N127	N93A	Y	Two Way	-.006



I. Mount-to-Tower Connection Check

RISA Model Data

Nodes (labeled per RISA)	Orientation (per graphic of typical platform)
N133A	30
N8	270
N141	150



TYPICAL PLATFORM

Tower Connection Bolt Checks

Any moment resistance?:

Bolt Quantity per Reaction:

d_x (in) (Delta X of typ. bolt config. sketch):

d_y (in) (Delta Y of typ. bolt config. sketch):

Bolt Type:

Bolt Diameter (in):

Required Tensile Strength (kips):

Required Shear Strength (kips):

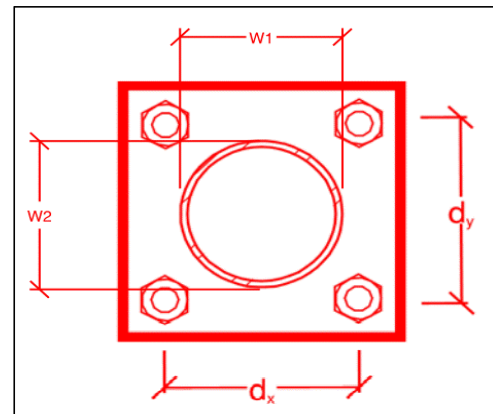
Tensile Strength / bolt (kips):

Shear Strength / bolt (kips):

Tensile Capacity Overall:

Shear Capacity Overall:

yes
4
8
10
A307
0.75
37.6
13.1
14.4
8.6
65.2%*
37.8%



*Note: Tension reduction not required if tension or shear capacity < 30%

Tower Connection Plate and Weld Check

Connecting Standoff Member Shape:

Plate Width (in):

Plate Height (in):

W1 (in):

W2 (in):

Fy (ksi, plate):

t_{plate} (in):

Weld Size (1/16 in):

$\Phi \cdot R_n$ (kip/in):

Required Weld Strength (kip/in):

Plate Bending Capacity:

Weld Capacity:

Rect
10
12
5
5
36
1
5
6.96
5.24
55.5%
75.3%

Max Plate Bending Strengths

$M_{u_{xx}}$ (kip-in):	44.2
$\Phi \cdot M_{n_{xx}}$ (kip-in):	81.0
$M_{u_{yy}}$ (kip-in):	0.8
$\Phi \cdot M_{n_{yy}}$ (kip-in):	97.2

Mount Desktop – Post Modification Inspection (PMI) Report Requirements

Documents & Photos Required from Contractor – **Passing Mount Analysis**

Purpose – to provide Maser Consulting the proper documentation in order to complete the required Mount Desktop review of the Post Modification Inspection Report.

- Contractor is responsible for making certain the photos provided as noted below provide confirmation that the installation was completed in accordance with this Passing Mount Analysis.
- Contractor shall relay any data that can impact the performance of the mount, this includes safety issues.

Base Requirements:

- Any special photos outside of the standard requirements will be indicated on the passing MA
- Verification that loading is as communicated in the Passing Mount Analysis. NOTE If loading is different than what is conveyed contact Maser Consulting immediately.
- Each photo should be time and date stamped
- Photos should be high resolution and submitted in a Zip File and should be organized in the file structure as depicted in Schedule A attached.
- Contractor shall ensure that the safety climb wire rope is supported and not adversely impacted by the install of the modification components. This may involve the install of wire rope guides, or other items to protect the wire rope.
- The photos in the file structure should be uploaded to <https://pmi.vzwsmart.com> as depicted on the drawings

Photo Requirements:

- **Base and “During Installation Photos”**
 - Base pictures include
 - Photo of Gate Signs showing the tower owner, site name, and number
 - Photo of carrier shelter showing the carrier site name and number if available
 - Photos of the galvanizing compound and/or paint used (if applicable), clearly showing the label and name
 - “During Installation Photos if provided - must be placed only in this folder
- **Photos taken at ground level**
 - Overall tower structure before and after installation of the equipment modifications
 - Photos of the appropriate mount before and after installation of the modifications; if the mounts are at different rad elevations, pictures must be provided for all elevations that the modifications were installed
- **Photos taken at Mount Elevation**
 - Photos showing each individual sector before and also after installation of equipment.
 - These photos should also certify that the placement and geometry of the equipment on the mount is as depicted on the sketch and table in the mount analysis

- Photos showing the safety climb wire rope above and below the mount prior to modification.
- Photos showing the climbing facility and safety climb if present.

Antenna & equipment placement and Geometry Confirmation:

- The contractor must certify that the antenna & equipment placement and geometry is in accordance with the antenna placement diagrams as included in this mount analysis.
- The contractor certifies that the photos support and the equipment on the mount is as depicted on the antenna placement diagrams as included in this mount analysis.
- The contractor notes that the equipment on the mount is not in accordance with the antenna placement diagrams and has accordingly marked up the diagrams or provided a diagram outlining the differences.


















Certifying Individual:	Company	_____
	Name	_____
	Signature	_____

Special Instructions / Validation as required from the MA or any other information the contractor deems necessary to share that was identified:

Issue:

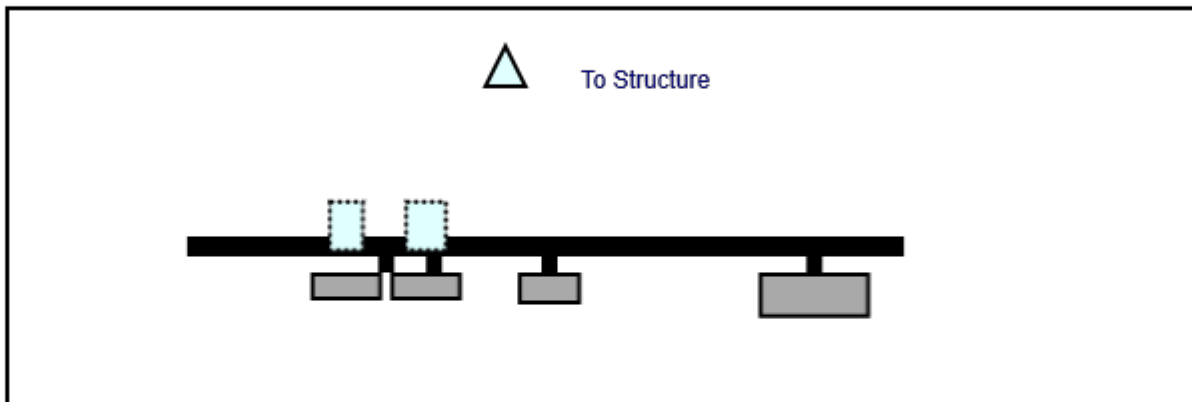
Response:

Schedule A – Photo & Document File Structure

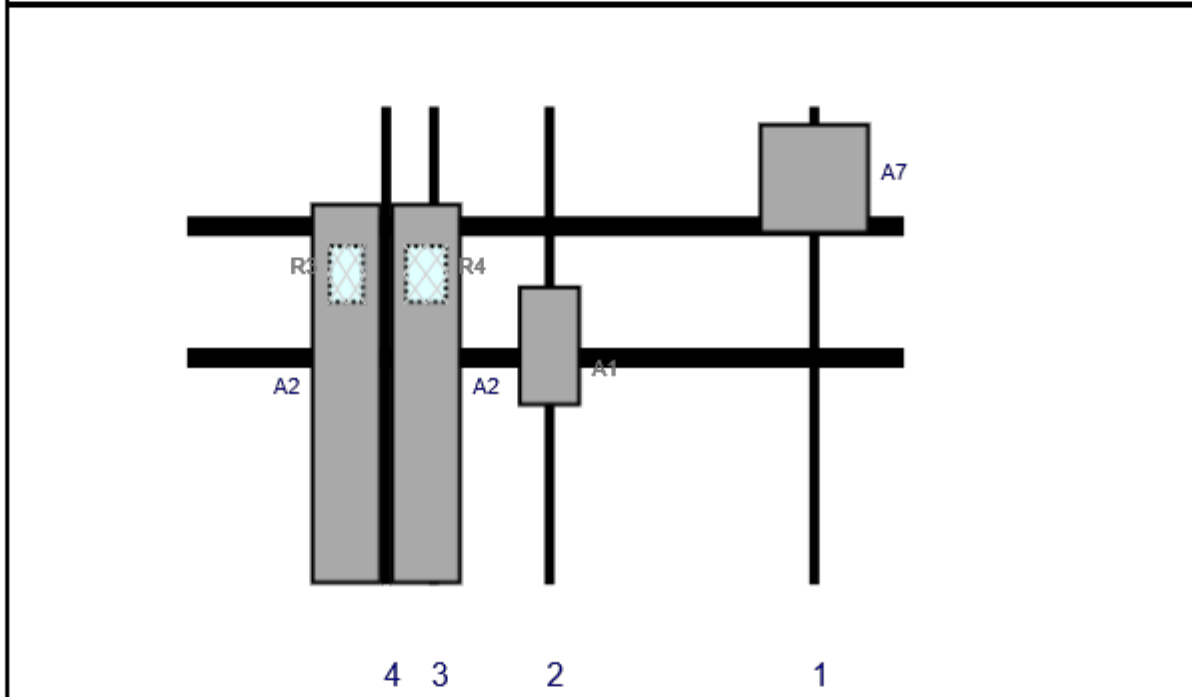
-  VzW Site Number / Name
 -  Base & “During Installation” Photos
 -  Pre-Installation Photos
 -  Alpha
 -  Beta
 -  Gamma
 -  Ground Level
 -  Tape Drop
 -  Post-Installation Photos
 -  Alpha
 -  Beta
 -  Gamma
 -  Ground Level
 -  Tape Drop
 -  Photos of climbing facility and safety climb – If Present
-  Certifications – Submission of this document including certifications
-  Specific Required Additional Photos



Plan View



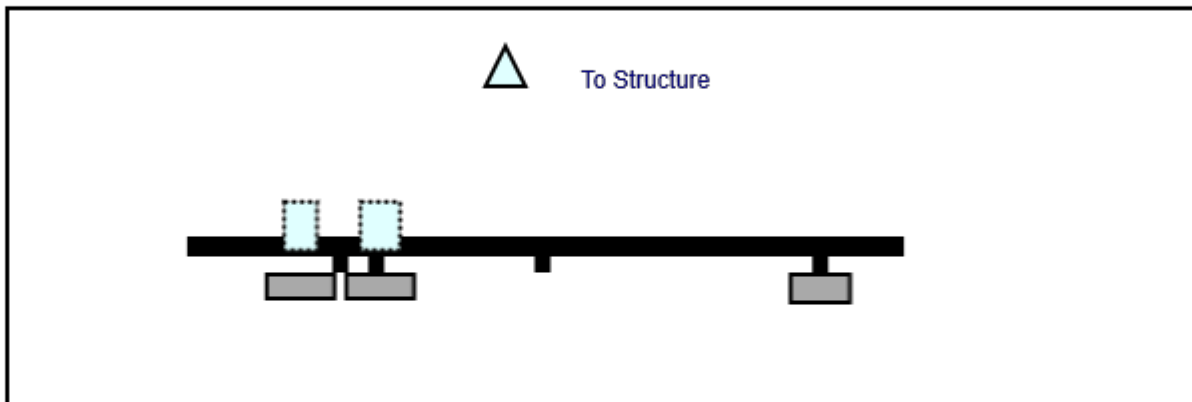
Front View
Looking at Structure



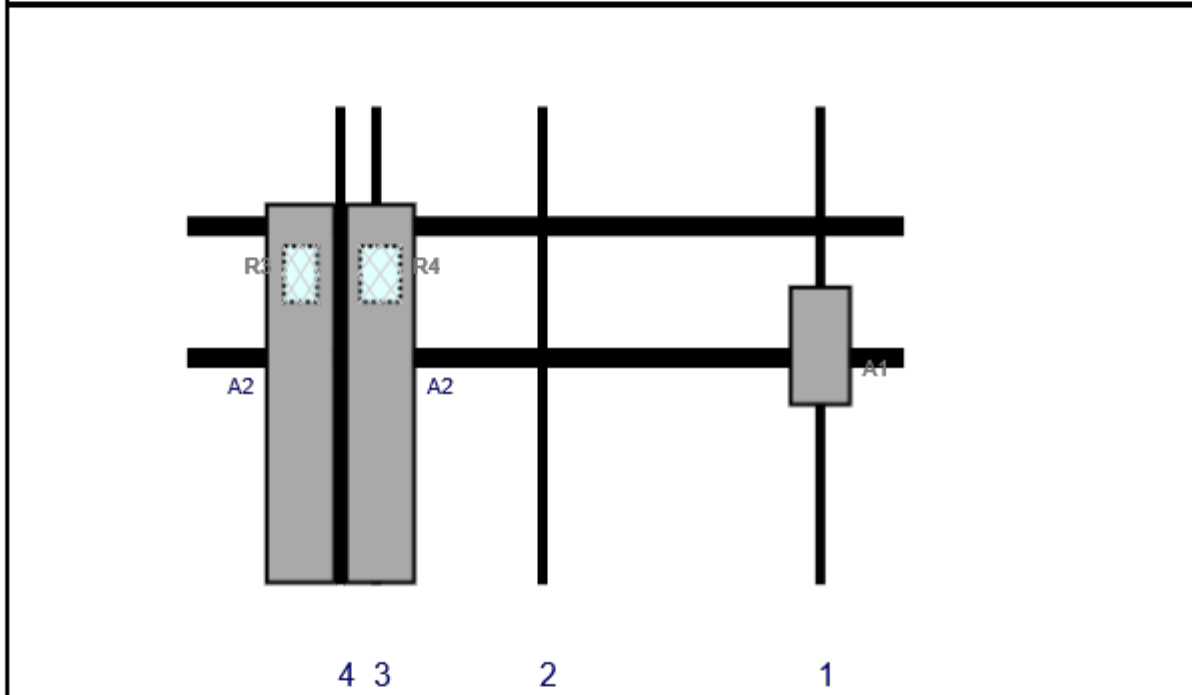
Ref#	Model	Height (in)	Width (in)	H Dist Frm L.	Pipe #	Pipe Pos V	Ant Pos	C. Ant Frm T.	Ant H Off	Status	Validation
A7	SB2-107CC	28	28	157.5	1	a	Front	18	0	Retained	12/14/2020
A1	VZE01	30.4	15.9	91	2	a	Front	60	0	Added	
A2	NHH-45C-R2B	95.9	18	50	4	a	Front	72	10	Retained	12/14/2020
A2	NHH-45C-R2B	95.9	18	50	4	b	Front	72	-10	Retained	12/14/2020
R3	4449	15	9.3	50	4	a	Behind	42	-10	Retained	12/14/2020
R4	8843	15	11	50	4	a	Behind	42	10	Retained	12/14/2020



Plan View



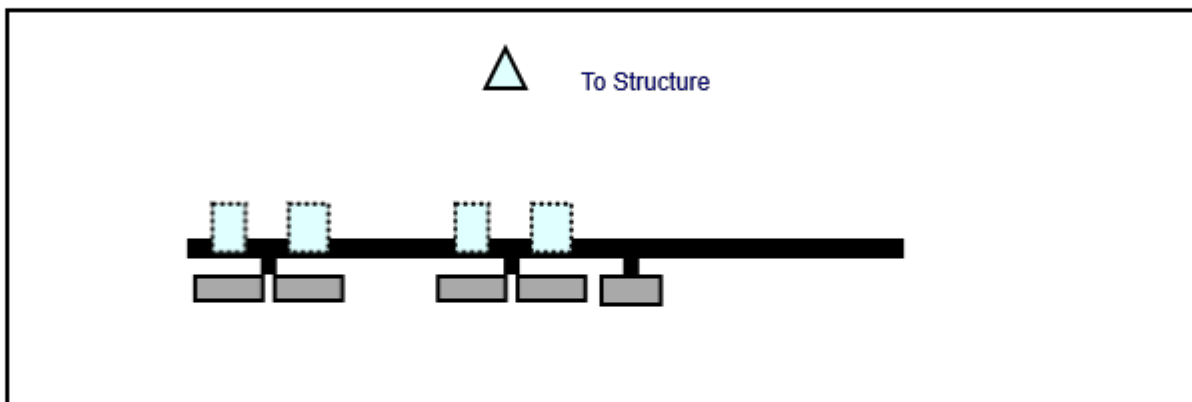
Front View
Looking at Structure



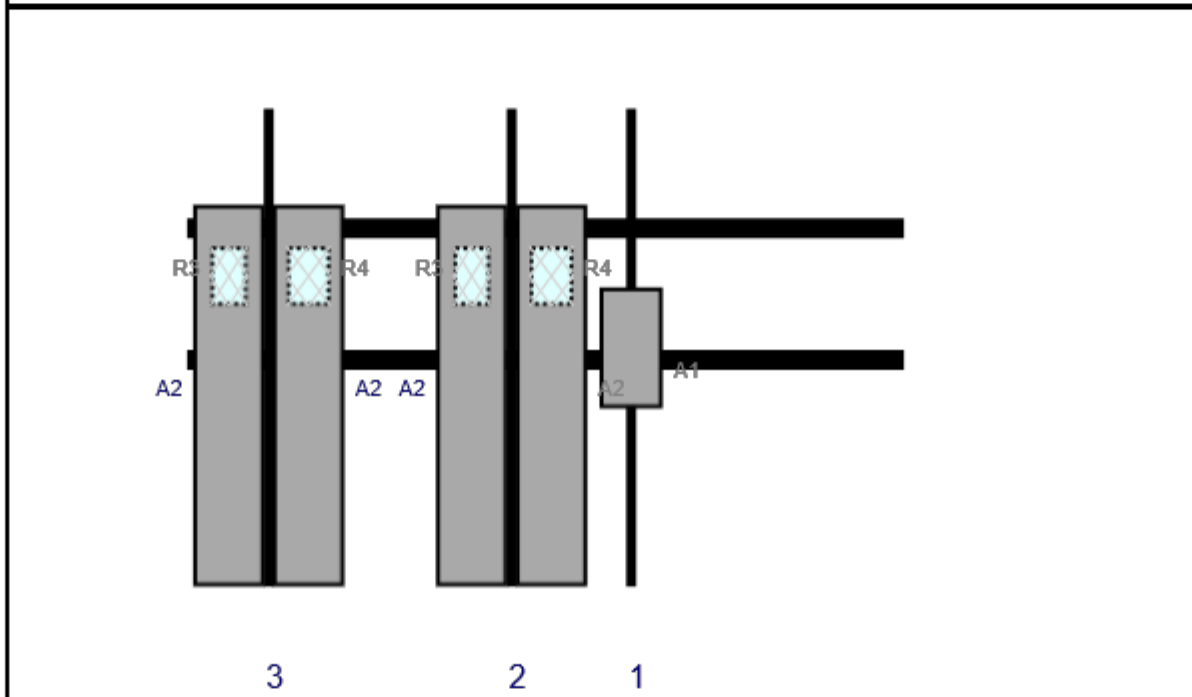
Ref#	Model	Height (in)	Width (in)	H Dist Frm L.	Pipe #	Pipe Pos V	Ant Pos	C. Ant Frm T.	Ant H Off	Status	Validation
A1	VZE01	30.4	15.9	159	1	a	Front	60	0	Added	
A2	NHH-45C-R2B	95.9	18	38.5	4	a	Front	72	10	Retained	12/14/2020
A2	NHH-45C-R2B	95.9	18	38.5	4	b	Front	72	-10	Retained	12/14/2020
R3	4449	15	9.3	38.5	4	a	Behind	42	-10	Retained	12/14/2020
R4	8843	15	11	38.5	4	a	Behind	42	10	Retained	12/14/2020



Plan View



Front View
 Looking at Structure



Ref#	Model	Height (in)	Width (in)	H Dist Frm L.	Pipe #	Pipe Pos V	Ant Pos	C. Ant Frm T.	Ant H Off	Status	Validation
A1	VZE01	30.4	15.9	111.5	1	a	Front	60	0	Added	
A2	NHH-45C-R2B	95.9	18	81.5	2	a	Front	72	10	Retained	12/14/2020
A2	NHH-45C-R2B	95.9	18	81.5	2	b	Front	72	-10	Retained	12/14/2020
R3	4449	15	9.3	81.5	2	a	Behind	42	-10	Retained	12/14/2020
R4	8843	15	11	81.5	2	a	Behind	42	10	Retained	12/14/2020
A2	NHH-45C-R2B	95.9	18	20.5	3	a	Front	72	10	Retained	12/14/2020
A2	NHH-45C-R2B	95.9	18	20.5	3	b	Front	72	-10	Retained	12/14/2020
R3	4449	15	9.3	20.5	3	a	Behind	42	-10	Retained	12/14/2020
R4	8843	15	11	20.5	3	a	Behind	42	10	Retained	12/14/2020