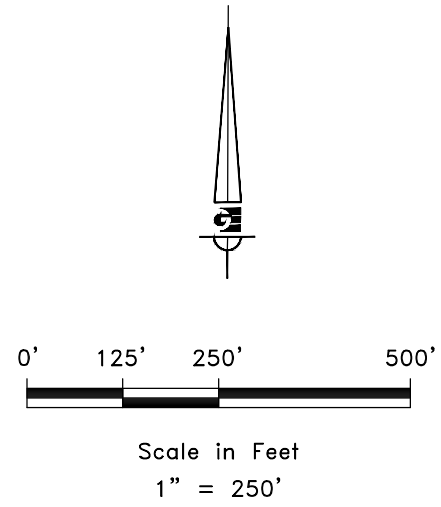


NOTES:
 ALL UTILITIES TO BE VERIFIED BEFORE
 CONSTRUCTION.



LEGEND

- SOIL # SOIL TESTING AREA
- FEMA FLOOD PLAIN
- CRS ENGINEERED 100-YR FLOOD PLANE
- CRS ENGINEERED 500-YR FLOOD PLANE
- SUBDIVISION BOUNDARY
- LOT LINE
- ADJACENT PARCEL
- SECTION LINE
- EASEMENT
- SETBACK LINE
- PROPOSED POWER
- PROPOSED WATER
- PROPOSED GAS

Date:	7-15-2021
Scale:	1" = 250'
Designed:	LZ
Drafted:	LZ
Checked:	RC
Path: R:\1343 - DAN MAYBE\SURVEY\DWG\DM - 6-7-2021.DWG	

PRELIMINARY SUBDIVISION
6 LOT SUBDIVISION
3685 E 3300 N
LIBERTY, WEBER COUNTY, UTAH

GARDNER ENGINEERING
 CIVIL - LAND PLANNING
 MUNICIPAL - LAND SURVEYING