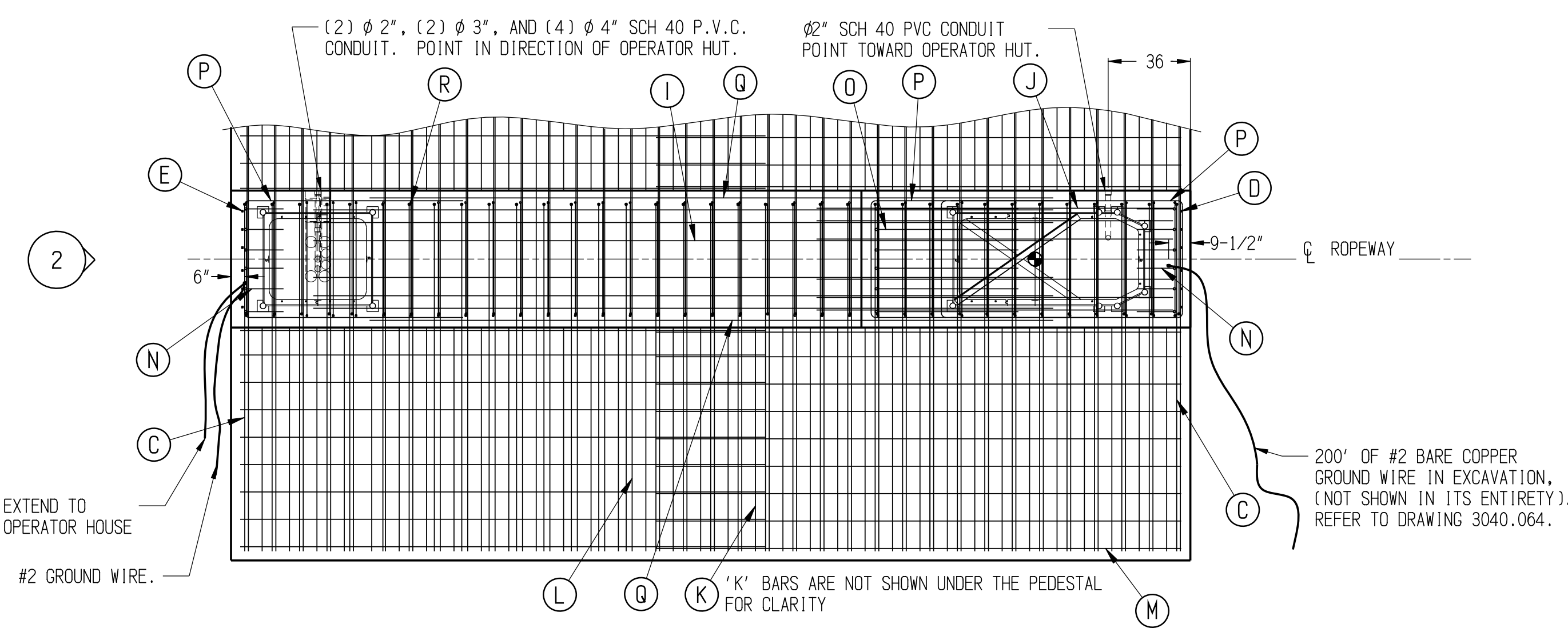
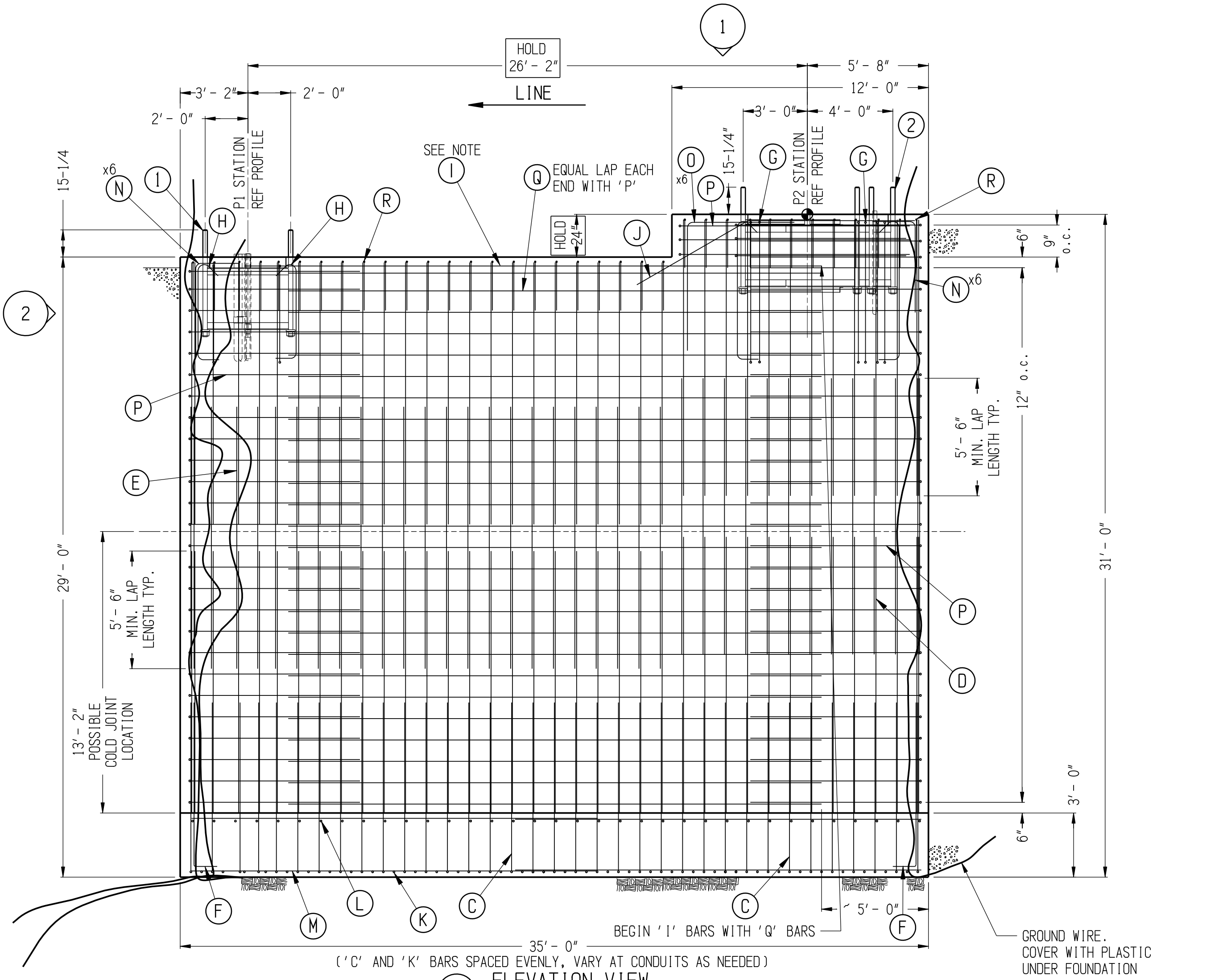


1 PLAN DETAIL OF ANCHOR BOLTS



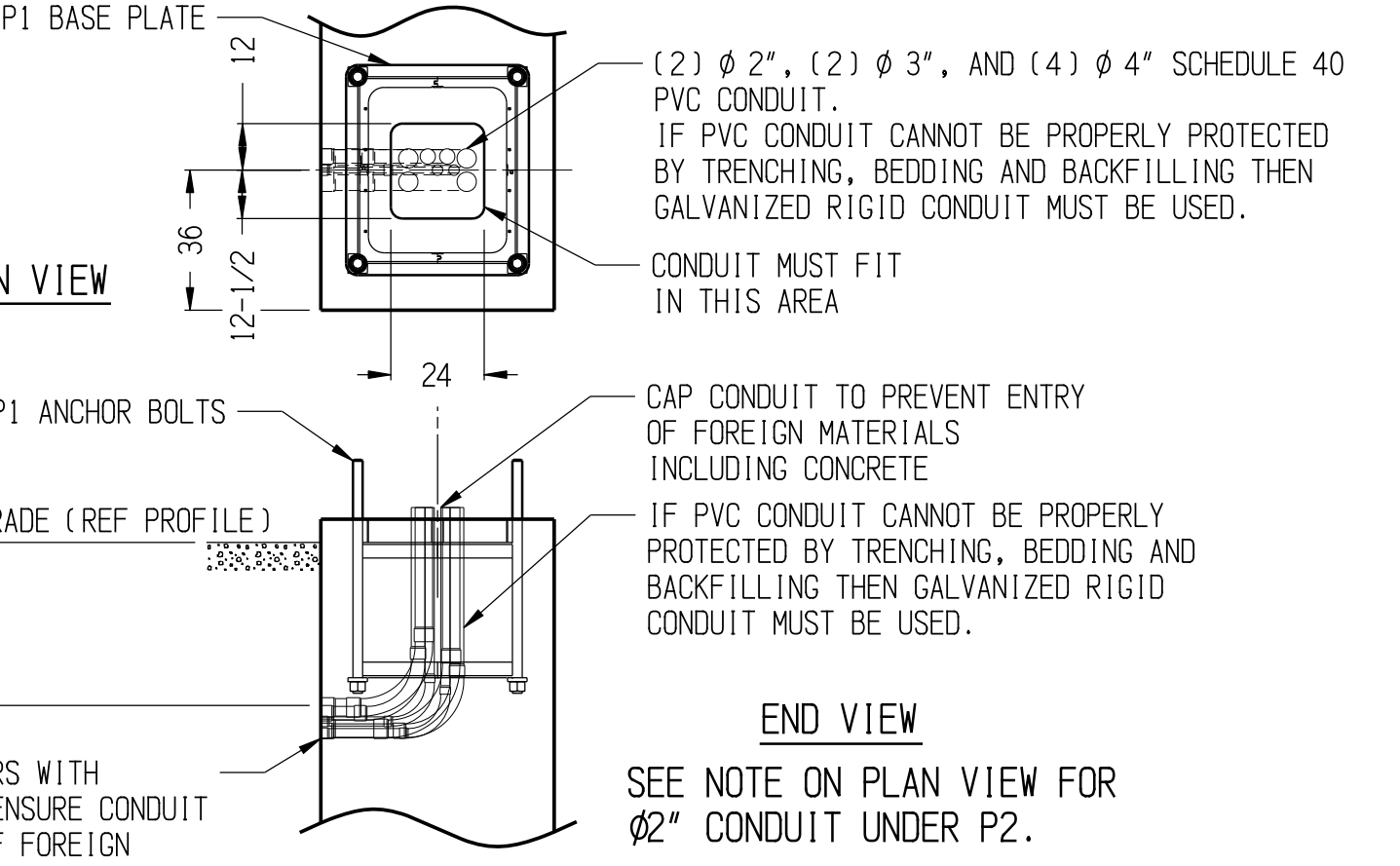
A PARTIAL PLAN VIEW OF FOUNDATION



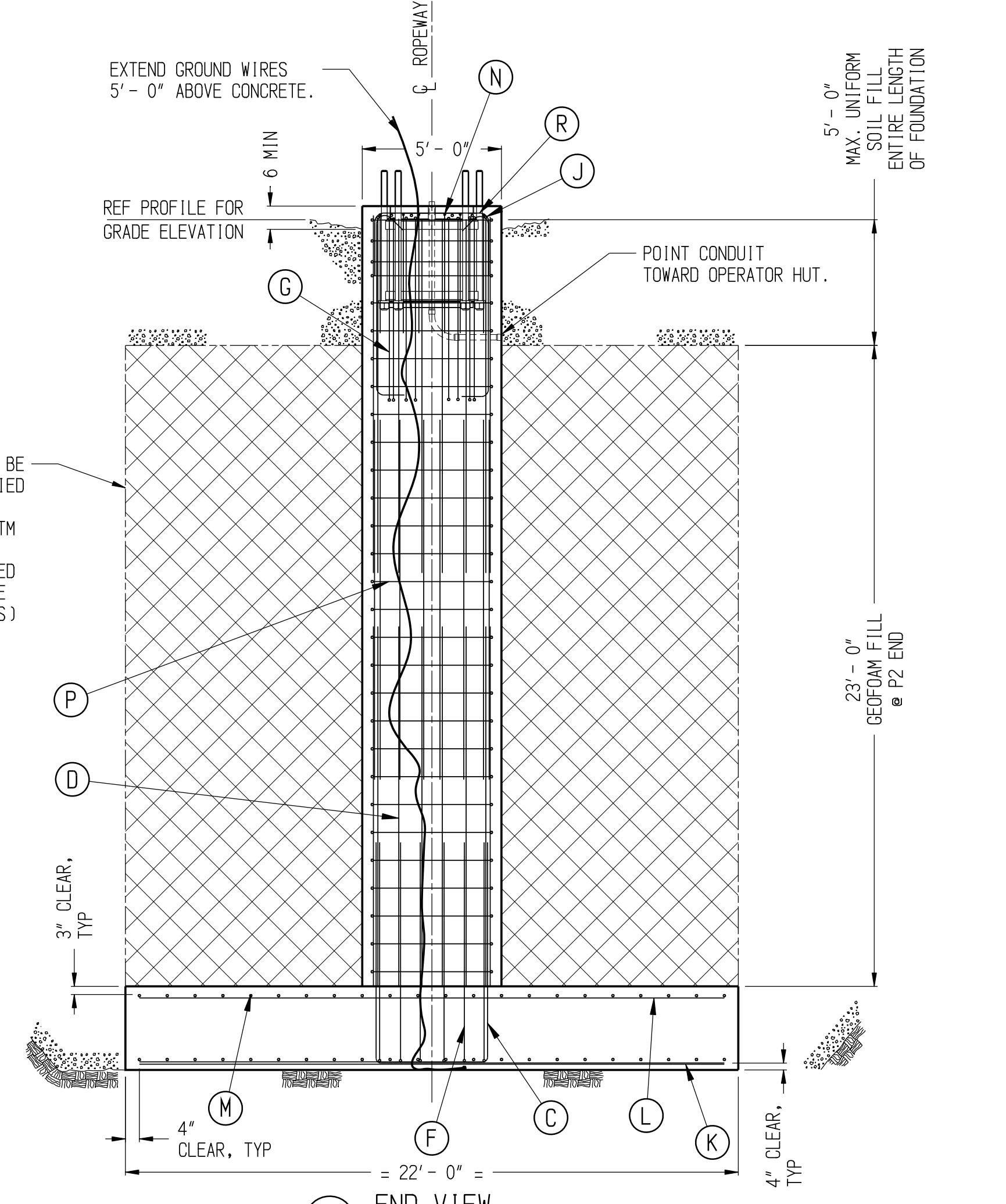
B ELEVATION VIEW

STRUCTURAL FOUNDATION NOTES:

- CONSTRUCTION SHALL CONFORM TO THE ACI 318 STANDARD. COLD WEATHER CONCRETING SHALL CONFORM TO ACI 306.
- CONCRETE SHALL HAVE MINIMUM 28 DAY COMPRESSIVE STRENGTH OF 4500 P.S.I. IF A TEST HISTORY IS NOT ON RECORD WITH THE SUPPLIER A MINIMUM OF 505 LBS OF CEMENT PER CUBIC YARD SHALL BE SUPPLIED WITH A MAXIMUM WATER CEMENT RATIO OF 0.45. CEMENT SHALL BE TYPE IA AND CONFORM TO ASTM C150 (TYPE III MAY BE SUBSTITUTED WITH APPROVAL BY THE L-POA ENGINEER). AGGREGATE SHALL BE A NOMINAL SIZE OF 3/4" WITH A MAXIMUM SIZE OF 1" AND CONFORM TO ASTM C33.
- THE PROJECT FOREMAN MAY ORDER HIGHER STRENGTH AS DESIRED. THE PROJECT FOREMAN MAY ORDER ADMIXTURES AS DESIRED.
- ADMIXTURES DOSAGES SHALL NOT EXCEED MANUFACTURER'S RECOMMENDATIONS. COMBINATIONS OF ADMIXTURES SHALL BE COMPATIBLE.
- CONCRETE SHALL BE AIR ENTRAINMENT WITH 5% AIR WITH A RANGE OF ±1.5%. AIR ENTRAINMENT SHALL CONFORM TO ASTM C260 AND BE VERIFIED PER ASTM C172.
- THE FOLLOWING ADMIXTURES ARE PERMITTED:
 - RETARDER CONFORMING TO ASTM C494 TYPE B.
 - ACCELERATOR CONFORMING TO ASTM C494 TYPE C.
 - WATER REDUCING RETARDER ASTM C494 TYPE D.
 - WATER REDUCING ACCELERATOR ASTM C494 TYPE E.
 - HIGH RANGE WATER REDUCING AND SUPER PLASTICIZER ADMIXTURES CONFORMING TO ASTM C494 TYPE F ARE NOT PERMITTED.
 - FLYASH, SILICA FUME, AND OTHER POZZOLANS ARE NOT PERMITTED WITHOUT APPROVAL OF THE L-POA ENGINEER.



2 CONDUIT DETAIL AT P1



C END VIEW

- A MINIMUM OF 2 TEST CYLINDERS SHALL BE CAST FOR EACH FOUNDATION (OR PORTION OF FOUNDATION SEPARATED BY COLD JOINTS) OR A MINIMUM OF TWO TEST CYLINDERS SHALL BE CAST FOR EACH TRUCK (WHICHEVER REQUIRES THE MOST SAMPLES BE TAKEN). CYLINDERS SHALL BE LABELED FOR ALL FOUNDATIONS (OR PORTIONS THEREOF) APPROPRIATELY. CYLINDERS TAKEN FROM TRUCKS SUPPLYING MORE THAN ONE FOUNDATION SHALL BE LABELED FOR ALL FOUNDATIONS (OR PORTIONS THEREOF) APPROPRIATELY. ONE CYLINDER OF EACH PAIR IS TO BE TESTED AT 28 DAYS PER ASTM C39. THE SECOND CYLINDER IS TO BE RESERVED FOR SUBSEQUENT TESTING IF REQUIRED.
- REINFORCING STEEL SHALL BE ASTM A615 GRADE 60. REINFORCEMENT TO BE WELDED SHALL CONFORM TO ASTM A706. REINFORCING STEEL CLEAR COVER TO FACE OF CONCRETE IS:
 - 3" MINIMUM FOR CONCRETE CAST AGAINST EARTH.
 - 2" MINIMUM FOR CONCRETE CAST AGAINST A FORMED OR FINISHED SURFACE.
- REINFORCING STEEL SHALL BE CLEAN, WITH NO OIL, MUD, OR RUST SCALE ON BONDING SURFACE. LAP SPLICES ADDED IN THE FIELD ARE PERMITTED PER THE FOLLOWING SCHEDULE:

#4	30" MINIMUM	#6	48" MINIMUM
#5	36" MINIMUM	#8	72" MINIMUM
- SHORTER LAP SPLICES MAY BE PERMITTED WITH APPROVAL BY THE ENGINEER OF RECORD. BENT REINFORCEMENT BAR IS DETAILED WITH OUT TO OUT DIMENSIONS. TOLERANCES SHALL CONFORM TO CRSI STANDARDS. STRAIGHT LENGTHS OF BENT BARS ARE BASED ON OUTSIDE RADIUS LENGTH. NO ATTEMPT TO PREDICT DROP LENGTHS IS MADE. DETAILED CLEAR COVER MAY EXCEED MINIMUM CLEAR COVER.
- FOOTINGS SHALL BE PLACED IN UNDISTURBED NATIVE SOIL. ORGANIC SOIL AND FOREIGN OBJECTS ARE TO BE REMOVED. FOOTING DESIGN IS BASED ON AN ALLOWABLE SOIL BEARING PRESSURE OF 4000 PSF. IF THE ALLOWABLE SOIL BEARING PRESSURE VARIES FROM THAT LISTED CONTACT THE L-POA ENGINEER. IF WATER APPEARS IN THE EXCAVATION OR ON THE SURFACE CONTACT THE L-POA ENGINEER. BACKFILL SHALL HAVE NO ORGANICS. BACKFILL NEED NOT BE COMPACTED UNLESS REQUIRED BY THE OWNER.

INDEX	REQ'D	DESCRIPTION (OUTSIDE TO OUTSIDE)	Ø BAR	L/BAR	TOTAL L/INDEX	WT. (lbs)
S	16	(OPTIONAL STANDEE)	# 4	78"	TL = 104' - 0"	69
R	35	4' - 4"	# 5	111"	TL = 323' - 9"	338
Q	52	24' - 6"	# 5	294"	TL = 1274' - 0"	1329
P	61	4' - 6" 8' - 0"	# 5	245"	TL = 1245' - 5"	1299
O	6	6' - 0" 5' - 0"	# 6	131"	TL = 65' - 6"	98
N	12	4' - 6" 90° HOOK	# 6	65"	TL = 65' - 0"	98
M	88	19' - 0"	# 6	228"	TL = 1672' - 0"	2511
L	35	21' - 4"	# 8	256"	TL = 746' - 8"	1994
K	34	21' - 4"	# 8	256"	TL = 725' - 4"	1937
J	6	3' - 0" 6' - 8" 7' - 8"	# 8	163"	TL = 81' - 6"	218
I	6	27' - 0"	# 8	324"	TL = 162' - 0"	433
H	11	135° HOOK 4' - 8" 90° HOOK (TIE RADII)	# 8	82"	TL = 75' - 2"	201
G	18	135° HOOK 6' - 8" 90° HOOK (TIE RADII)	# 8	106"	TL = 159' - 0"	425
F	12	8' - 0" (VERT) 90° HOOK (HORZ)	# 8	110"	TL = 110' - 0"	294
E	156	12' - 3"	# 8	147"	TL = 1911' - 8"	5102
D	90	12' - 11" 12' - 10" (PLACE HORZ)	# 8	155"	TL = 1162' - 6"	3104
C	70	8' - 0" (VERT) 12' - 10" (PLACE HORZ)	# 8	248"	TL = 1446' - 8"	3863

ITEM	ITEM NAME	QTY	UNIT	MATERIAL	WT./EA	ITEM NUMBER	INFO	SECURITY LEVEL
2	A-BOLT CAGE ASSY/ P2/P3-88 CONDUIT LPA	/		ASTM F1554	1022	41370609	/	---
1	ANCHOR BOLT CAGE ASSY/P1 LPA	/		ASTM F1554	593	41207623	/	---

LPA Mechanisms
 Foundations
 Snowbasin, Middle Bowl - C52231

LPA 28T DRIVE TERMINAL FOUNDATION
 MODEL YEAR 2021

DRAWING PROJECTION: CAD Prg: DRAWING FORMAT: D22 x 34" REVIT DESIGNED BY: MLH CHECKED BY: JLG	PRINT DATE: 07/02/2021 SECURITY LEVEL: --- DATE DRAWN: 07/02/2021 SCALE (S): 1/4" = 1'-0"	REFERENCE: --- DRAWING ITEM NUMBER: 41451281 REVISION: 00
---------------------------------------------------------------------------------------------------------------------	----------------------------------------------------------------------------------------------------	-----------------------------------------------------------------

© 2021 LEITNER POMA. ALL RIGHTS RESERVED. THIS DRAWING AND ITS DESIGN ARE PROPRIETARY TO LEITNER POMA OF AMERICA. Duplication without the Permission of LEITNER POMA OF AMERICA IS PROHIBITED.