



Land Use Permit

Weber County Planning Commission

2380 Washington Blvd. STE 240
Ogden, UT 84401
Phone: (801) 399-8791 FAX: (801) 399-8862
webercountyutah.gov/planning

Permit Number: LUP164-2021

Permit Type: Structure
Permit Date: 05/17/2021

Applicant

Name: Richard Reid
Business:
Address: 3273 N River Dr
Liberty, UT 8310
Phone: 801-598-6842

Owner

Name: Same as applicant
Business:
Address: , UT
Phone:

Parcel

Parcel: 220220182
Zoning: AV-3 **Area:** 2 **Sq Ft:** **Lot(s):** **Subdivision:**
Address: , UT **T - R - S - QS:** 7N - 1E - 28 -

Proposal

Proposed Structure: Tractor storage, hay an **Building Footprint:** 2160
Proposed Structure Height: 22 **Max Structure Height in Zone:** 35
of Dwelling Units: 0 **# of Accessory Bldgs:** 0
Off Street Parking Reqd: 0 ***Is Structure > 1,000 Sq. Ft?** N/A
***If True Need Certif. Statement**

Permit Checklist

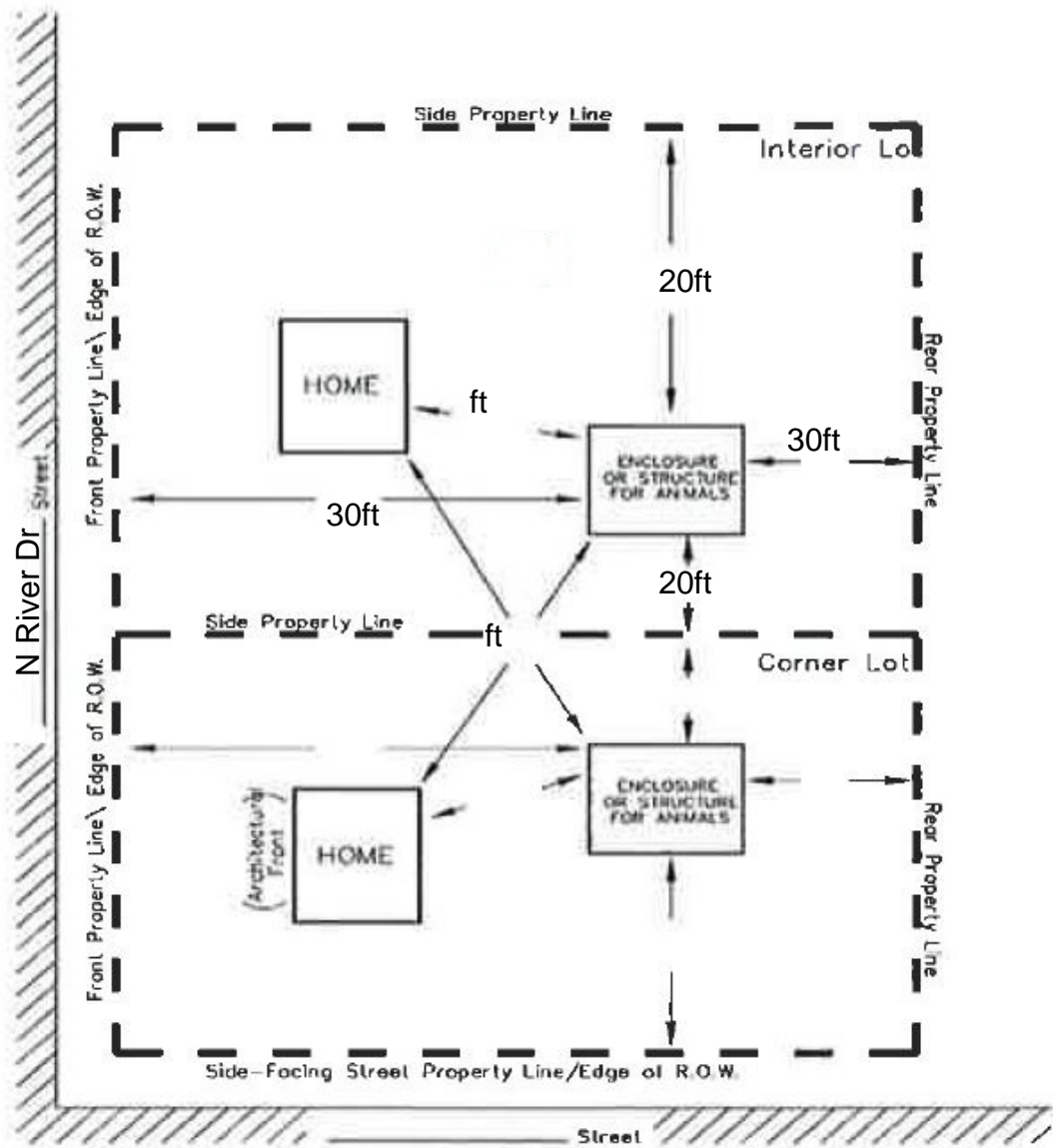
Access Type: Across front lot line **Alternative Access File #**
Greater than 4218 ft above sea level? N/A **Wetlands/Flood Zone?** N/A
Additional Setback Reqd. ? N/A **Meet Zone Area Frontage?** N/A
> 200 ft from paved Road? N/A **Hillside Review Reqd?** N/A
Culinary Water District: N/A **Waste Water System:** N/A

Comments

There is a 75 ft setback from the highwater mark of the stream at the south end of the property. Any outdoor lighting must be shielded or recessed so that no light source is visible from off the property line.

Land Use Permit

Structure Setback Graphic: Barn, Corral, or Stable



MINIMUM YARD SETBACKS Barn, Corral, or Stable

NOTICE FOR APPLICANT (Please Read Before Signing)

Proposals for the installation of an individual water supply and for a sanitary waste disposal system (septic tank) for any structure designed for human occupation must be approved by Weber County Health Department prior to installation.

Steven Burton

05/17/2021

Planning Dept. Signature of Approval

Date

I hereby certify that I have read and examined this application and know the same to be true and correct. All provisions of laws and ordinances governing this land use will be complied with whether specified herein or not. I make this statement under penalty of perjury.

Contractor/Owner Signature of Approval

Date