



Date: April 28, 2021
To: Weber County Board of County Commissioners
From: Sean Wilkinson, AICP *SW*
Director, Community Development Department
Subject: **Request for approval of the First Addendum to the Wireless Communications Tower Lease with Liberty Broadband**
Agenda Date: May 4, 2021
Documents: Exhibit A: Wireless Communications Tower Lease – First Addendum
Exhibit B: Equipment Location on Tower
Exhibit C: Equipment Specifications

Summary:

Weber County approved a tower lease agreement with Liberty Broadband in November 2019. Liberty Broadband has recently requested approval of an addendum to the lease agreement to upgrade and replace its equipment on the tower. The existing equipment will be replaced with two CommScope SF-U12-3-126 sector frames. This equipment will be located on the tower as shown in Exhibit B. The new equipment will not cause interference problems for the Ogden Valley Recreation/Transmission Special Service District or Verizon Wireless, which are existing lessees.

The addendum contains a non-interference provision which states that the County will not allow any company except for the Ogden Valley Recreation/Transmission Special Service District and Verizon Wireless to lease, sublease, or operate, the following unlicensed RF Frequencies: 5.260-6.3GHz, 24.05-24.25GHz, 57-71GHz.

The lease term begins on May 4, 2021 and terminates on May 4, 2025. Lease payments will increase from \$400 to \$600 per month.

**WIRELESS COMMUNICATIONS TOWER LEASE
(FIRST ADDENDUM)**

The Wireless Communications Tower Lease dated November 5, 2019 by and between Weber County ("Landlord") & Liberty Broadband LLC ("Tenant") is hereby modified as follows:

PREMISES. Landlord, in consideration of the lease payments provided in this Lease, leases to Tenant sufficient area on the main tower to mount two CommScope SF-U12-3-126 sector frames, located at 4964 N. Powder Mountain Rd, Eden, UT 84310 (the "Premises").

NON-INTERFERENCE. Landlord will not allow any other company (except for the Ogden Valley Recreation/Transmission Special Service District and Verizon Wireless) to lease, sublease, nor operate on the Premises, the following unlicensed RF Frequencies: *5.260-6.3GHz, 24.05-24.25GHz, 57-71GHz.*

TERM. The lease term will begin on May 4, 2021 and will terminate on May 4, 2025.

LEASE PAYMENTS. Tenant shall pay to Landlord monthly installments of \$600.00, payable in advance on the seventh day of each month. Lease payments shall be made to the Landlord at 2380 Washington Blvd, Ogden, Utah 84401. The payment address may be changed from time to time by the Landlord.

IN WITNESS WHEREOF, the undersigned have affixed their respective signatures hereto.

BOARD OF COUNTY COMMISSIONERS
OF WEBER COUNTY

By:

Attest:

James H. "Jim" Harvey, Chair

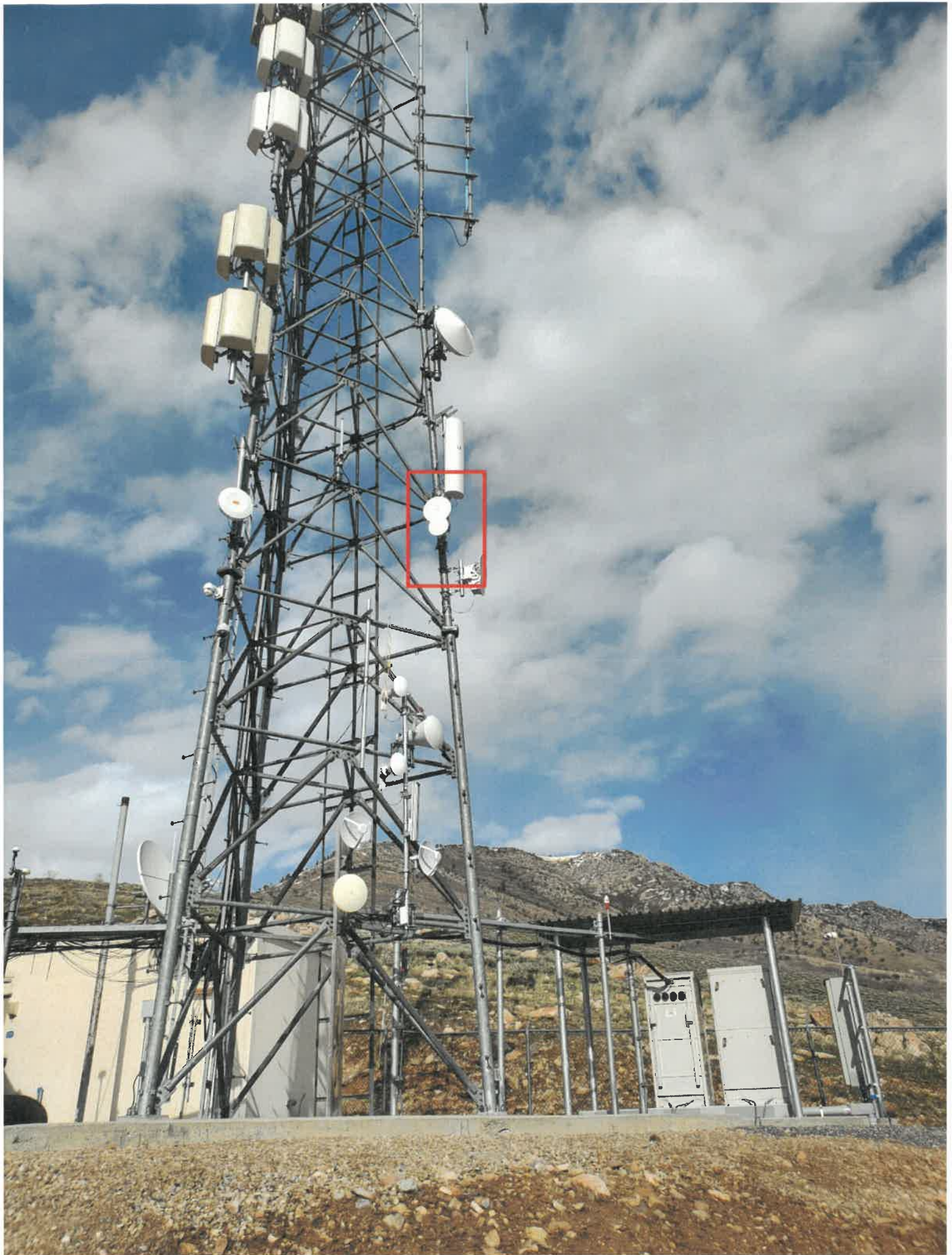
Ricky Hatch, CPA
Weber County Clerk/Auditor

LIBERTY BROADBAND LLC

By:

Attest:

Michael Zindel, CEO



SF-U12-3-126

Universal Sector Frame, 12 ft face, includes pipe mounts

OBSOLETE

This product was discontinued on: July 31, 2015

Replaced By:

SF-SU12-3-126 Stand-Off Sector Frame, 12 ft face, includes pipe

Product Classification

Product Type Tower sector frame

General Specifications

Mounting Angle 60°, 203.2 mm (8 in) | Angle 90°, 152.4 mm (6 in) | Straight or tapered legs up to 203.2 mm (8 in) OD

Note Four 72 in x 8 in panel antennas per sector

Pipe, quantity 3

Tower Taper Non-tapered | Tapered

Dimensions

Height 3,200.4 mm | 126 in

Face Width 3.81 m | 12.5 ft

Width 3810 mm | 150 in

Length 609.6 mm | 24 in

Pipe Length 3,200.4 mm | 126 in

Mounting Diameter, maximum 203.2 mm | 8 in

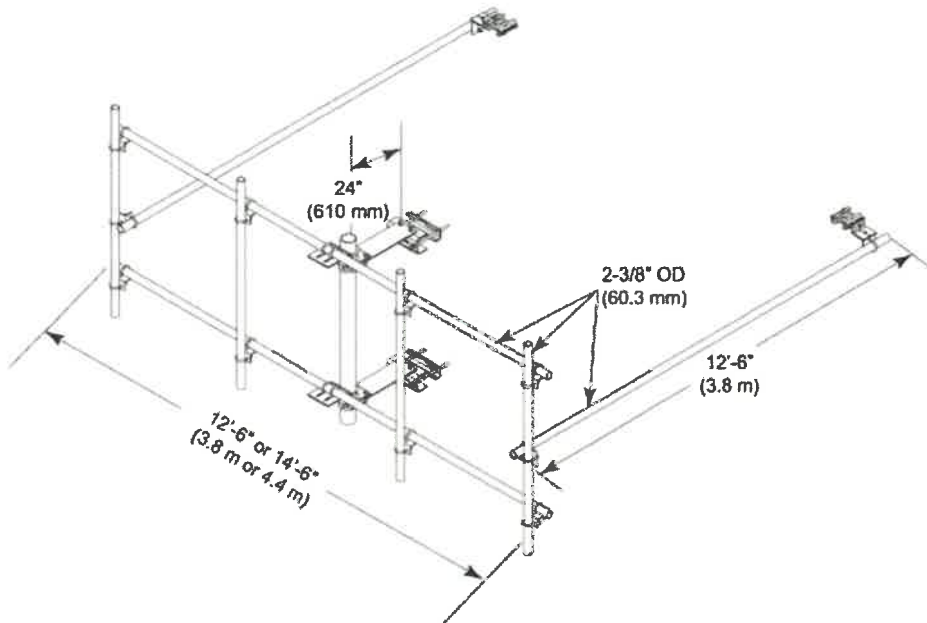
Mounting Diameter, minimum 0 mm | 0 in

Pipe Outer Diameter 60.96 mm | 2.4 in

Stand-off Distance 609.6 mm | 24 in

SF-U12-3-126

Outline Drawing



Material Specifications

Material Type Hot dip galvanized steel

Mechanical Specifications

Wind Rating 120 mph (BWS) at 150 ft AGL | 140 mph (3-second gust) at 150 ft AGL using Exposure D per FBC

Wind Rating Test Method TIA/EIA-222

Environmental Specifications

EPA with 1/2 in (12 mm) radial ice 1.403 m² | 15.1 ft²

SF-U12-3-126

EPA without ice	1.003 m ² 10.8 ft ²
Man Rating	250 lb vertical man load at 15 mph (BWS)

Packaging and Weights

Included	Clamps Frame Pipe mounts Saddle mounts Stiff arm
Packaging quantity	1
Weight, net	243.08 kg 535.9 lb

Regulatory Compliance/Certifications

Agency	Classification
ISO 9001:2015	Designed, manufactured and/or distributed under this quality management system



Included Products

- MT-537 — Plain End Pipe, 2-3/8 in OD x 126 in
- SF-U12-B — Universal Sector Frame, 12 ft face

* Footnotes

EPA with 1/2 in (12 mm) radial ice	EPA—w Effective Projected Area
EPA without ice	EPA—w Effective Projected Area
Man Rating	BWS—w Base Wind Speed
Wind Rating	BWS—w Base Wind Speed; FBC—Florida Building Code