

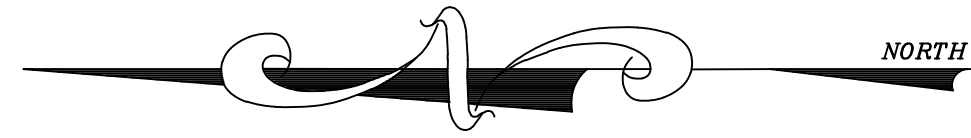
BAMBROUGH SUBDIVISION

A PART OF THE N.W. 1/4 OF SEC. 21, T. 7 N., R. 2 W., S.L.B. & M.
WEBER COUNTY, UTAH

STORM WATER POLLUTION PREVENTION PLAN

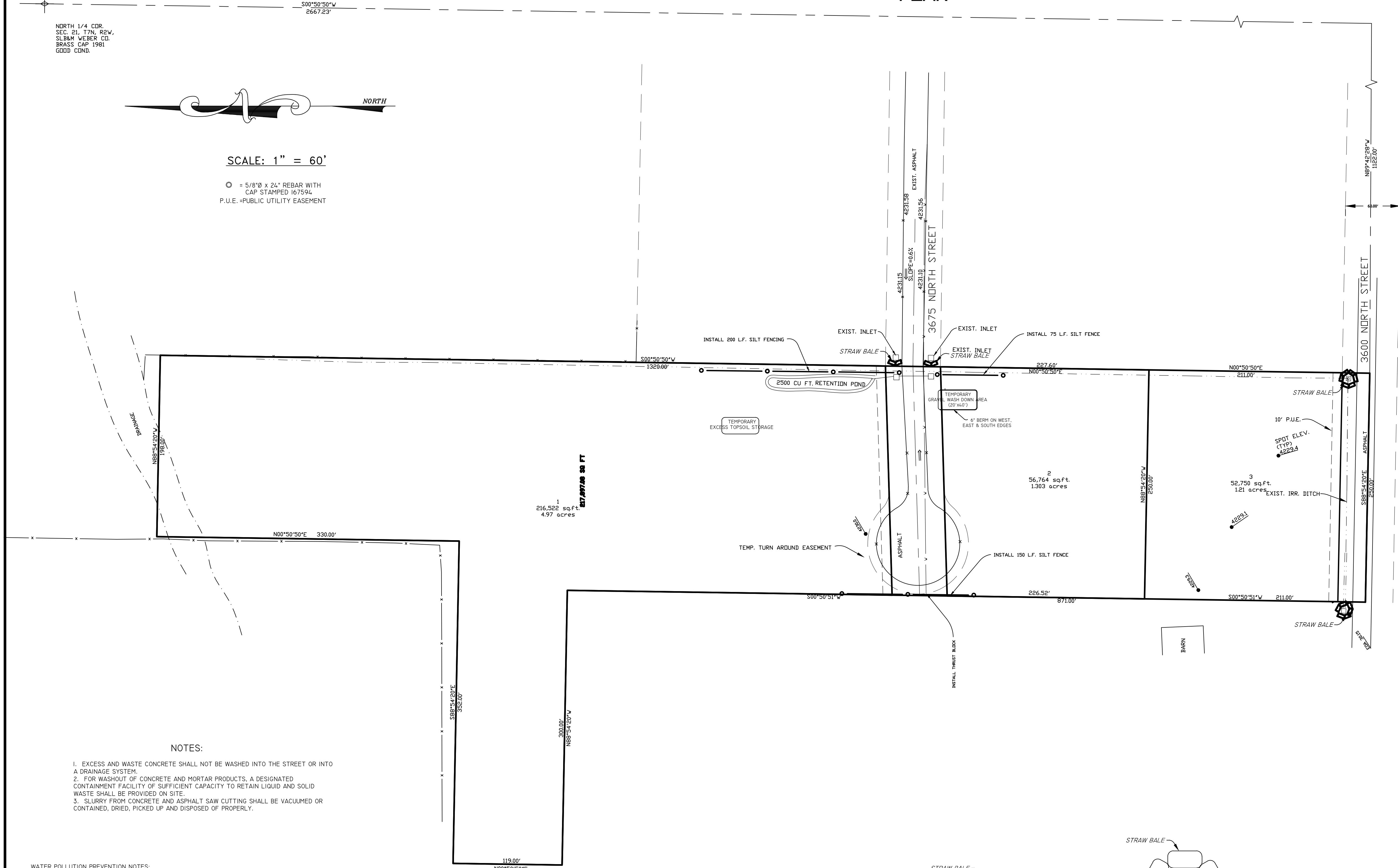
NE COR SEC 21,
T7N, R2W, SLB&M
WEBER CO. BRASS
CAP 1963
GOOD COND.

NORTH 1/4 COR
SEC. 21, T7N, R2W,
SLB&M WEBER CO.
BRASS CAP 1981
GOOD COND.



SCALE: 1" = 60'

○ = 5/8"Ø x 24" REBAR WITH
CAP STAMPED 167594
P.U.E. = PUBLIC UTILITY EASEMENT



NOTES:

1. EXCESS AND WASTE CONCRETE SHALL NOT BE WASHED INTO THE STREET OR INTO A DRAINAGE SYSTEM.
2. FOR WASHOUT OF CONCRETE AND MORTAR PRODUCTS, A DESIGNATED CONTAINMENT FACILITY OF SUFFICIENT CAPACITY TO RETAIN LIQUID AND SOLID WASTE SHALL BE PROVIDED ON SITE.
3. SLURRY FROM CONCRETE AND ASPHALT SAW CUTTING SHALL BE VACUUMED OR CONTAINED, DRIED, PICKED UP AND DISPOSED OF PROPERLY.

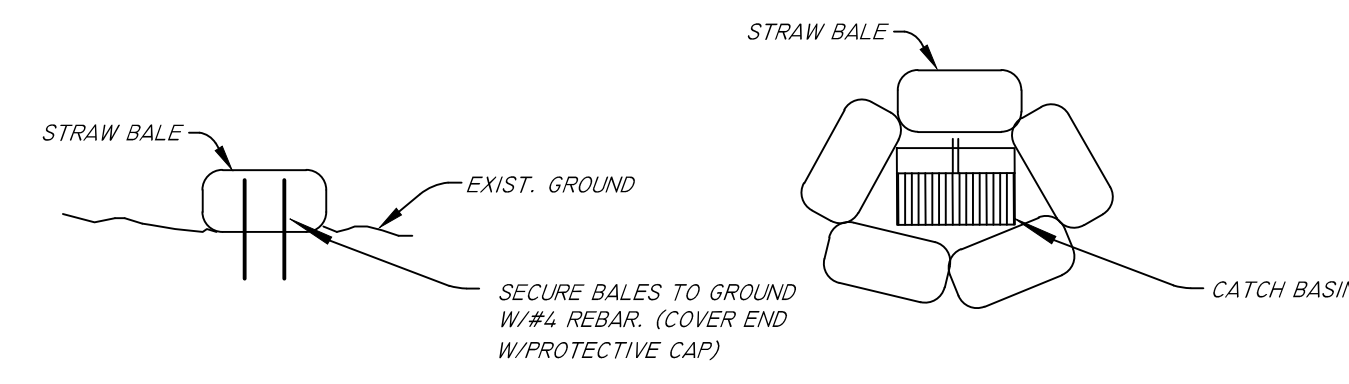
WATER POLLUTION PREVENTION NOTES:

THE FOLLOWING PROVISIONS WILL BE REQUIRED, AS A MINIMUM, FOR ANY CONSTRUCTION, CLEARING, GRADING, OR OTHER DISTURBANCE OF THE NATIVE GROUND. OTHER REQUIREMENTS MEETING THE POLLUTION PREVENTION PLAN MAY BE IMPOSED BY THE GOVERNING AGENCY OR THEIR REPRESENTATIVE, AS NEEDED PER SITE CONDITIONS:

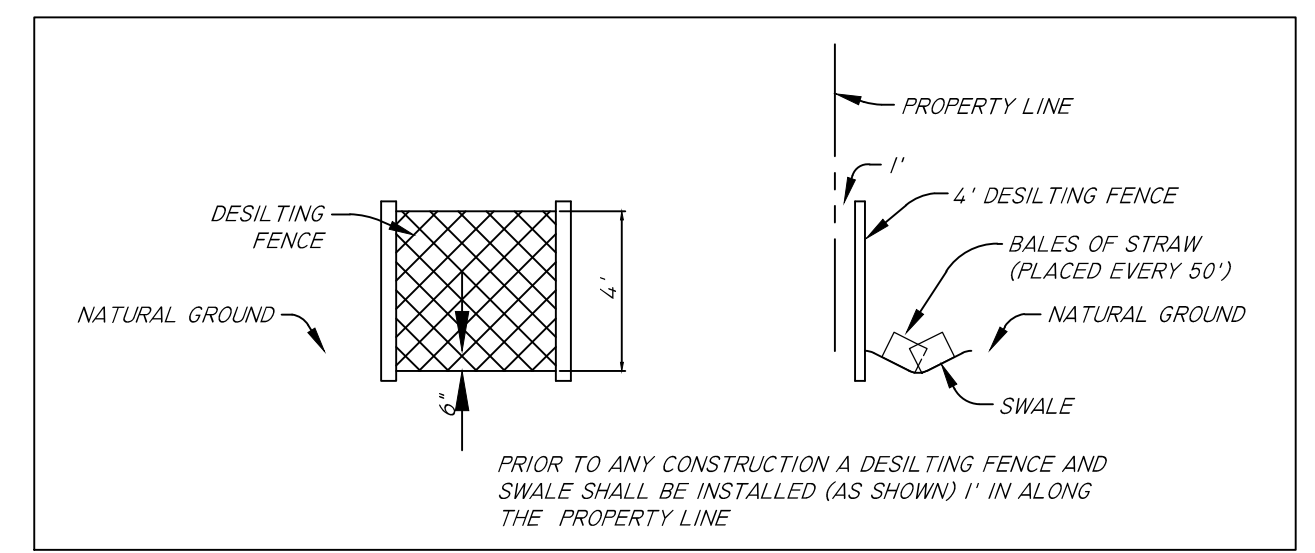
- (1) SILT FENCING WILL BE REQUIRED AT ANY DOWNGRADE LOCATION ON THE SITE, WHERE IT IS DETERMINED THAT FLOWS FROM THE SITE WOULD IMPACT AN EXISTING DRAINAGE, IRRIGATION OR NEIGHBORING PROPERTY. SUCH FENCING SHALL BE CONSTRUCTED WITH A COLLECTION SWALE ON THE UPGRADE SIDE OF THE FENCING FOR COLLECTION OF SEDIMENTS.
- (2) A STAGING AREA FOR CONSTRUCTION EQUIPMENT AND MATERIALS WILL BE REQUIRED AT EVERY SITE. THE STAGING AREA SHALL BE SUFFICIENTLY REMOVED FROM ANY IRRIGATION, DRAINAGE OR ROADWAY AND GRADED TO LIMIT RUNOFF INTO ANY WATERWAY OR EXISTING ROADWAY.
- (3) A "CLEANUP" AREA WILL BE REQUIRED AT THE SITE, FOR THE REMOVAL OF MUD OR OTHER DEBRIS THAT ACCUMULATES ON CONSTRUCTION EQUIPMENT, PRIOR TO LEAVING THE SITE. THE CLEANUP AREA SHALL BE CONSTRUCTED AND GRADED TO LIMIT CONTAMINATION TO ADJACENT PROPERTIES, STREETS OR WATERWAYS BY SILT, MUD OR OTHER POLLUTANTS.
- (4) A FILTERING METHOD (STRAW BALES, FILTERING FABRIC OR AN APPROVED EQUAL) WILL BE REQUIRED IN ANY DRAINAGES THAT MAY BE IMPACTED BY THE CONSTRUCTION. THE FILTERING WILL BE INSTALLED TO INTERCEPT THE FLOWS AWAY FROM THE SITE WHERE IT IS DETERMINED THAT THE CONSTRUCTION WOULD DAMAGE OR DEGRADE THE QUALITY OF WATER FLOWS.

LEGEND
NO SCALE

- SILT FENCING
- STRAW BALES
- FILTERING SOCK
- DRAINAGE DIRECTION



STRAW BALE DETAIL
NOT TO SCALE



DESILTING FENCE DETAIL
NOT TO SCALE