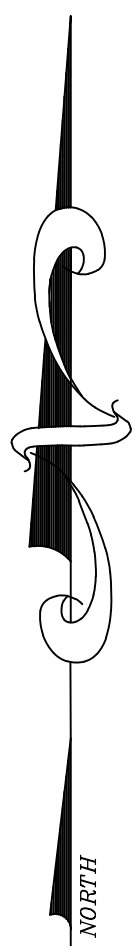
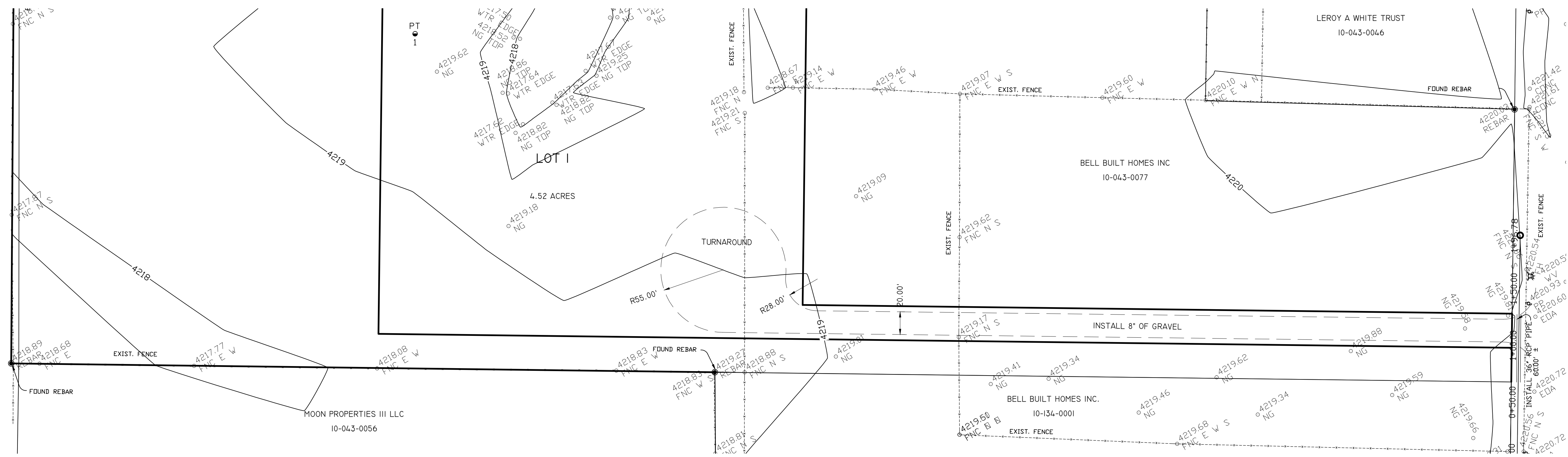


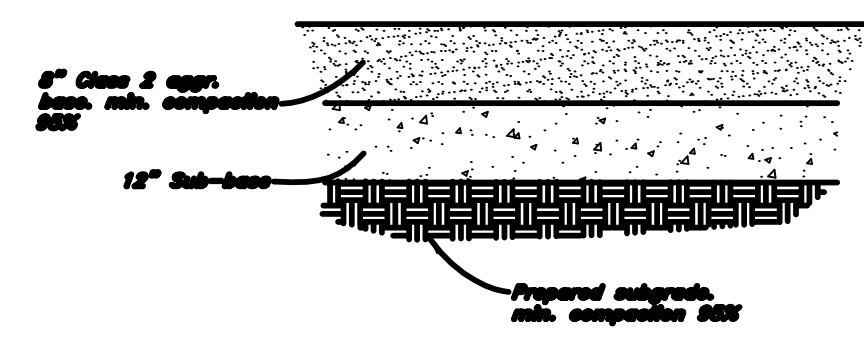
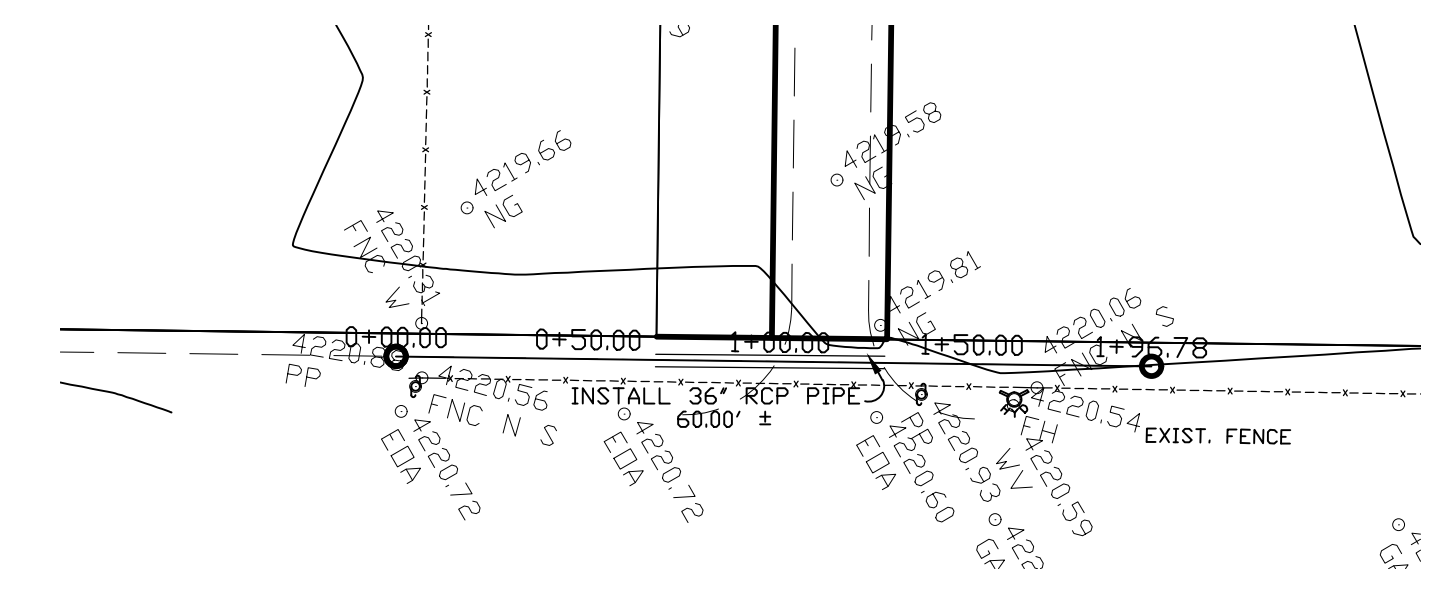
MURRAY FLAG LOT SUBDIVISION

A PART OF THE S. E. 1/4 OF SEC. 22 T. 6 N., R. 3W., S.L.B. & M.
WEBER COUNTY, UTAH
APRIL 2013

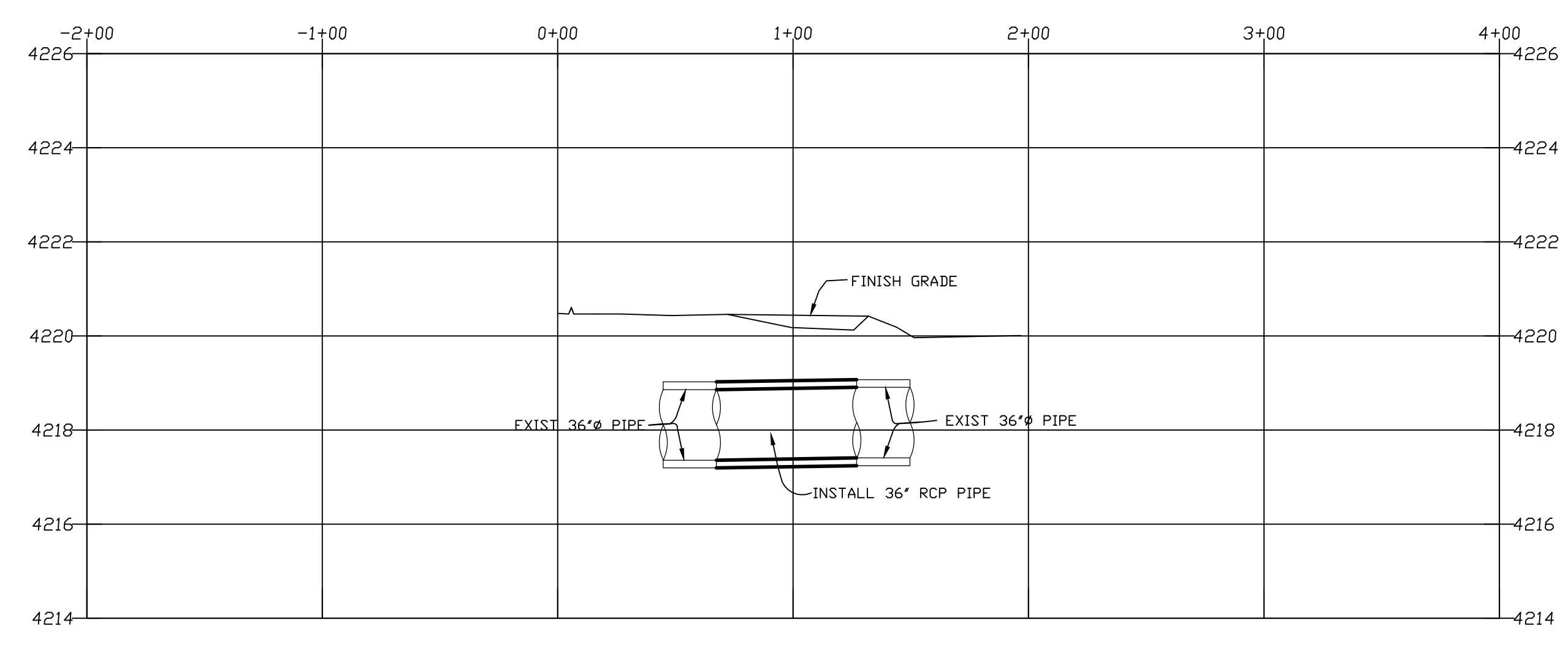


SCALE: 1" = 50'

- = 5/8" x 24" REBAR WITH CAP STAMPED 172757
- = FOUND REBAR
- PT 1 = PERCOLATION TEST PIT



GRAVEL DRIVE DETAIL



NARRATIVE

THE PURPOSE OF THIS SURVEY WAS TO CREATE A WEBER COUNTY APPROVED SUBDIVISION FROM AN EXISTING DECEDED PARCEL. THE RIGHT OF WAY OF 7500 WEST WAS DETERMINED FROM OTHER FILED SURVEYS ALONG THE ROAD FROM 1989 BY CLS AND 2011 BY REEVE AND ASSOCIATES.

PERC TABLE

PERC TEST HOLE	DEPTH, IN.	SOILS EVALUATION #15889, WEBER-MORGAN HEALTH DEPARTMENT
NO. 1	79"	0-12" LOAM, MASSIVE STRUCTURE, (ORGANICS)
		12-24" SANDY CLAY LOAM, MASSIVE STRUCTURE
		24-36" SILTY CLAY LOAM, MASSIVE STRUCTURE
		36-48" LOAMY SAND, MASSIVE STRUCTURE
		48-60" SILTY LOAM, MASSIVE STRUCTURE
		60-72" LOAMY SAND, MASSIVE STRUCTURE
		72-79" SILTY LOAM, MASSIVE STRUCTURE

IMPROVEMENT DRAWING

<p>LANDMARK SURVEYING, INC. A COMPLETE LAND SURVEYING SERVICE 4646 S. 3900 W., #A-3, WEST HAVEN, UTAH 84401 PHONE 801-731-4075 FAX 801-731-8506</p>	WEBER COUNTY RECORDER	
	ENTRY # _____ FEE _____	FILED FOR RECORD & RECORDED
CLIENT: KEVIN MURRAY	THIS _____ DAY OF _____ 20__	AT _____ IN BOOK _____ OF _____
LOCATION: SE 1/4 SEC 22 T.6N., R.3W., S.L.B.&M.	PAGE _____	
SURVEYED: APRIL 2013	WEBER COUNTY RECORDER	
REVISIONS:	DRAWN BY: IDK	BY _____ DEPUTY
	CHECKED BY: DK8	
	DATE: 04-05-13	
	FILE: 3329	