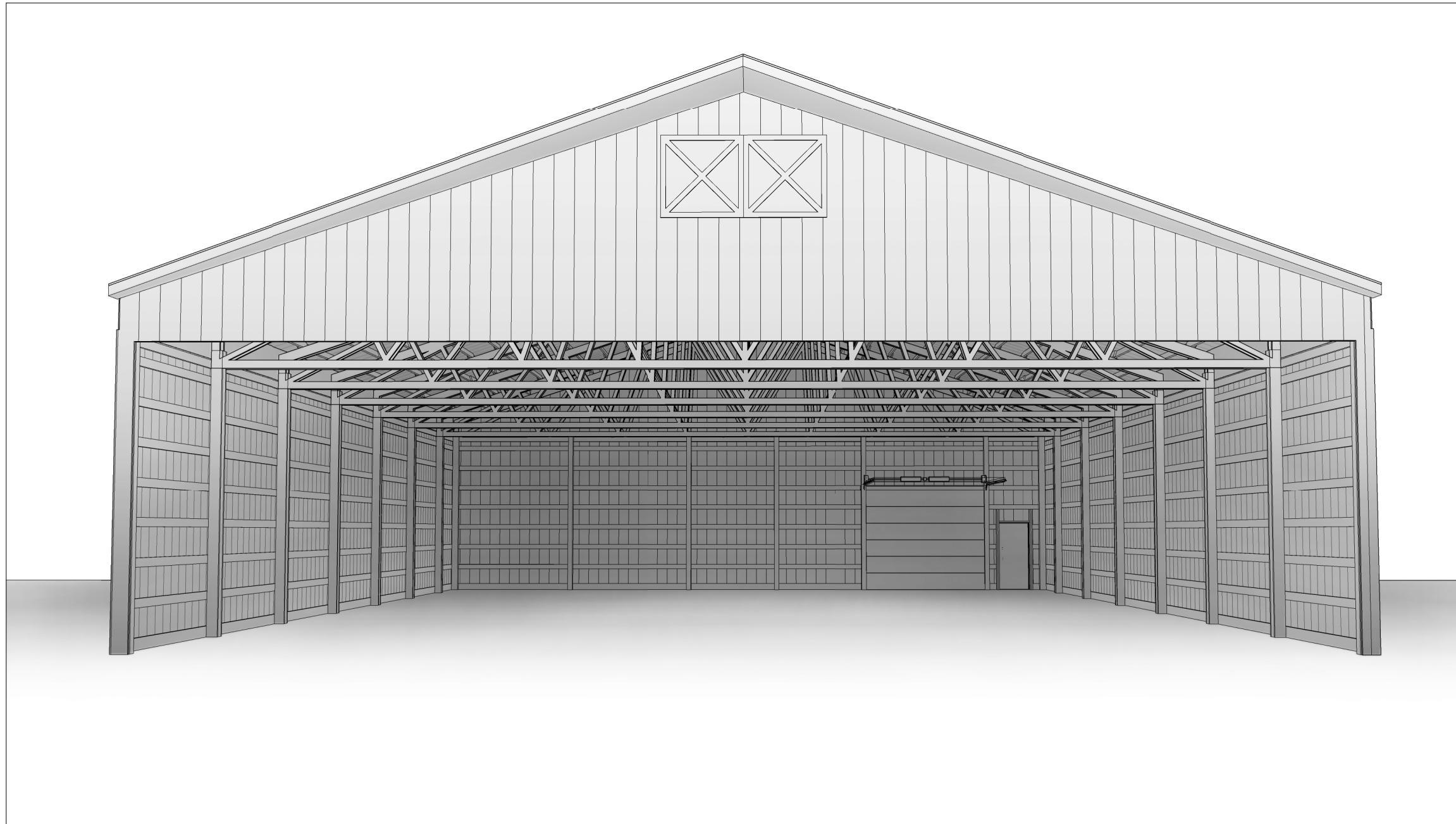


ROPER BUILDINGS

RICHARD HOLLEY



DRAWING INDEX

A0	Title Page
A1	Foundation Plan
A2	First Floor Plan
A3	Girt Plans
A4	Roof Plan
A5	Elevations
A6	Panel Layouts
A7	Details 1
A8	Details 2

CONTACTS

DRAFTING:

RAW DESIGN
CONTACT: CHRIS CARLTON
PHONE: (801) 879-6114

ENGINEERING:

PRICE ENGINEERING
CONTACT: KYLE PRICE
PHONE: (801) 791-6274

CONTRACTOR:

ROPER BUILDINGS
CONTACT: DAN SCARBROUGH
PHONE: (801) 689-3630

BUILDING INFORMATION

BUILDING INFORMATION:

DIMENSIONS: 60' x 80'
TOTAL SQUARE FOOTAGE: 4,800 Sq. Ft.

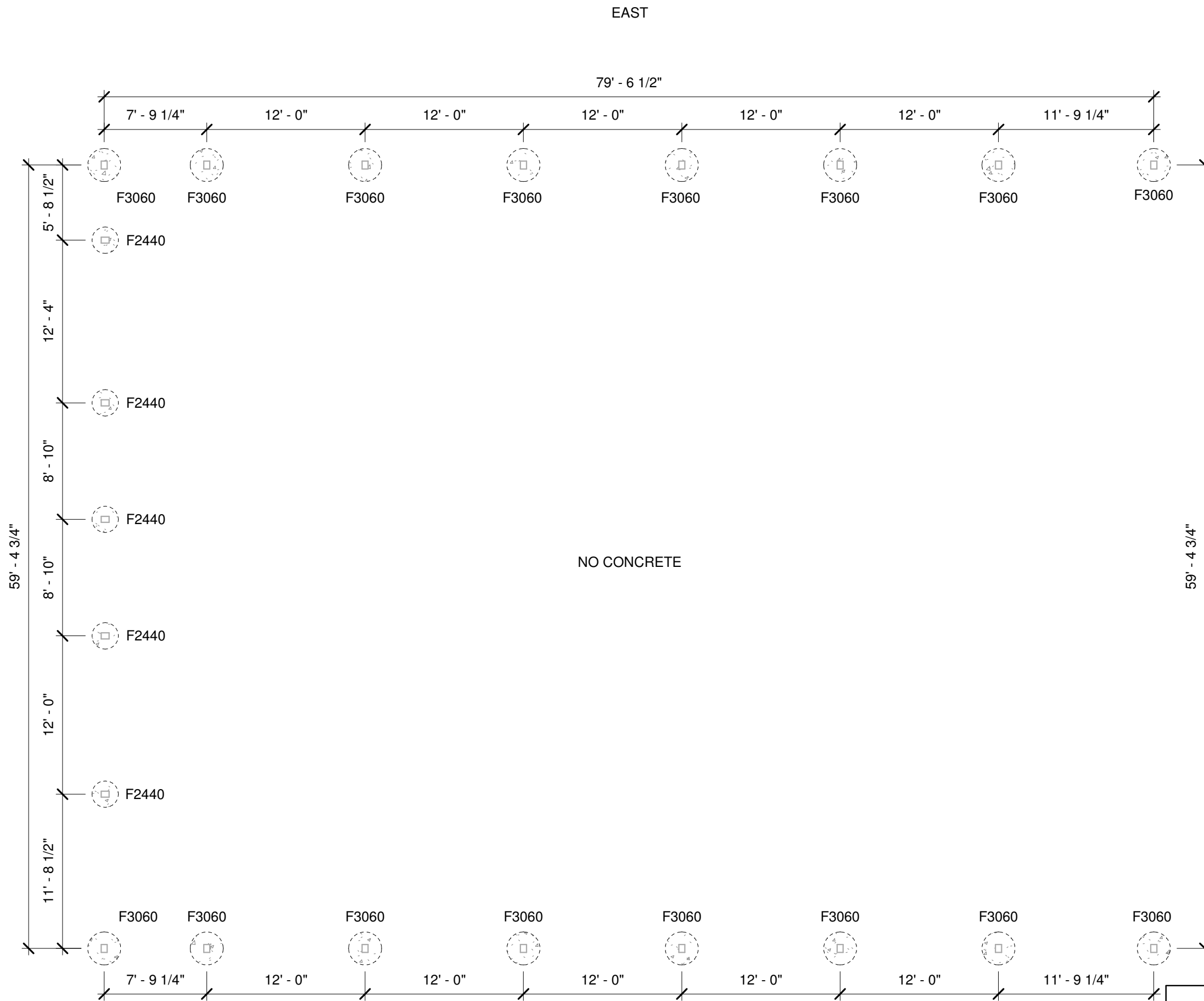
SITE INFORMATION:

ADDRESS:
818 North 7800 East
Huntsville, UT 84317

DATE:

11/2/2020

NORTH



FOUNDATION PLAN
1/8" = 1'-0"

PIERS			
	TYPE	DIAMETER	DEPTH
1.	F2440	24"	40"
2.	F3060	30"	60"

ROPER BUILDINGS

DAN SCARBROUGH
(801) 540-5586

RICHARD HOLLEY

818 North 7800 East
Huntsville, UT 84317

Date: 11/2/2020

Scale: 1/8" = 1'-0"

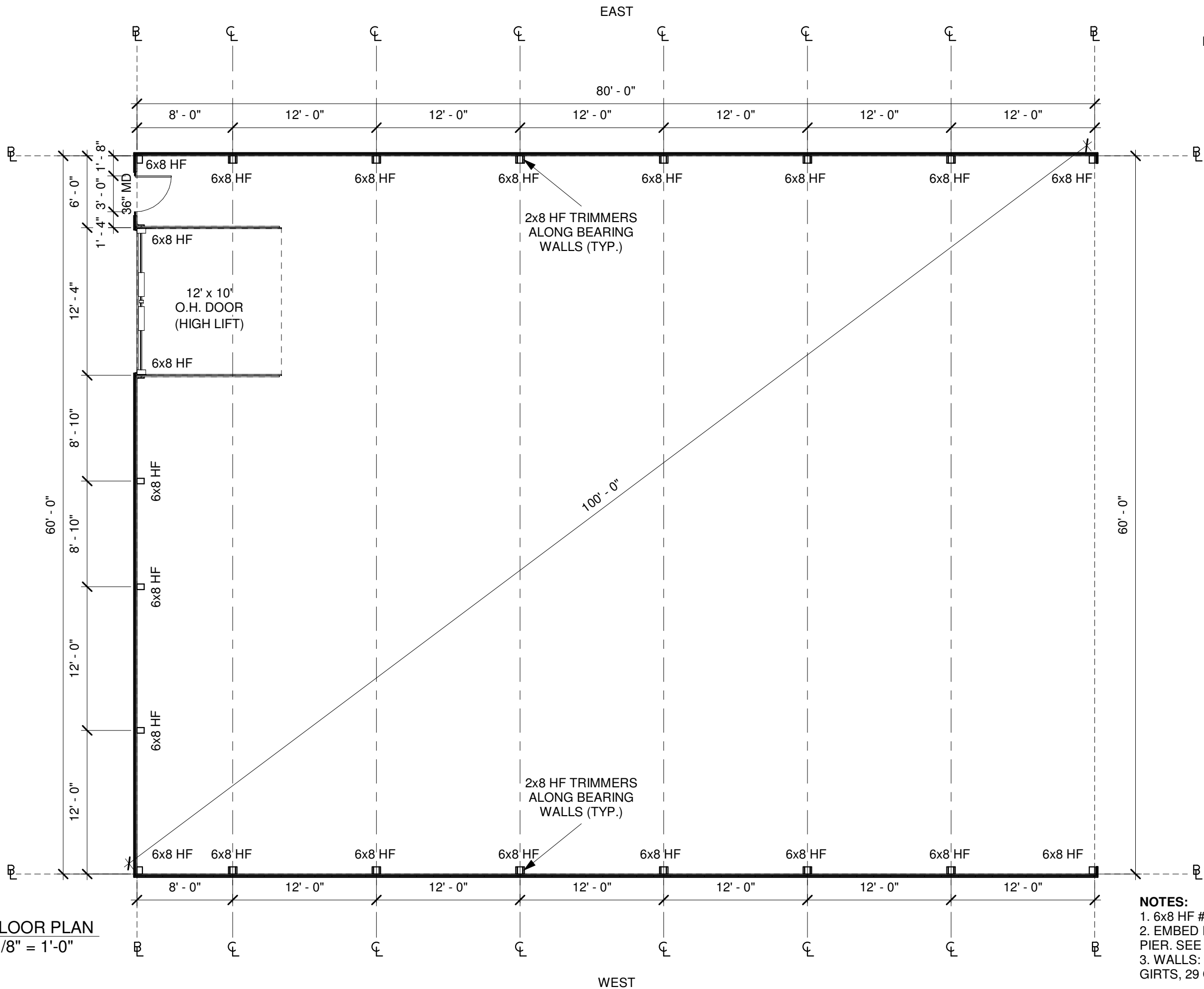
Drawn by: CBC

Job: HOLLEY

Foundation Plan

A1

NORTH



FLOOR PLAN
1/8" = 1'-0"

INSULATION: NONE

ROPER BUILDINGS

DAN SCARBROUGH
(801) 540-5586

RICHARD HOLLEY

818 North 7800 East
Huntsville, UT 84317

SOUTH
(FRONT OF BUILDING)

Date: 11/2/2020

Scale: 1/8" = 1'-0"

Drawn by: CBC

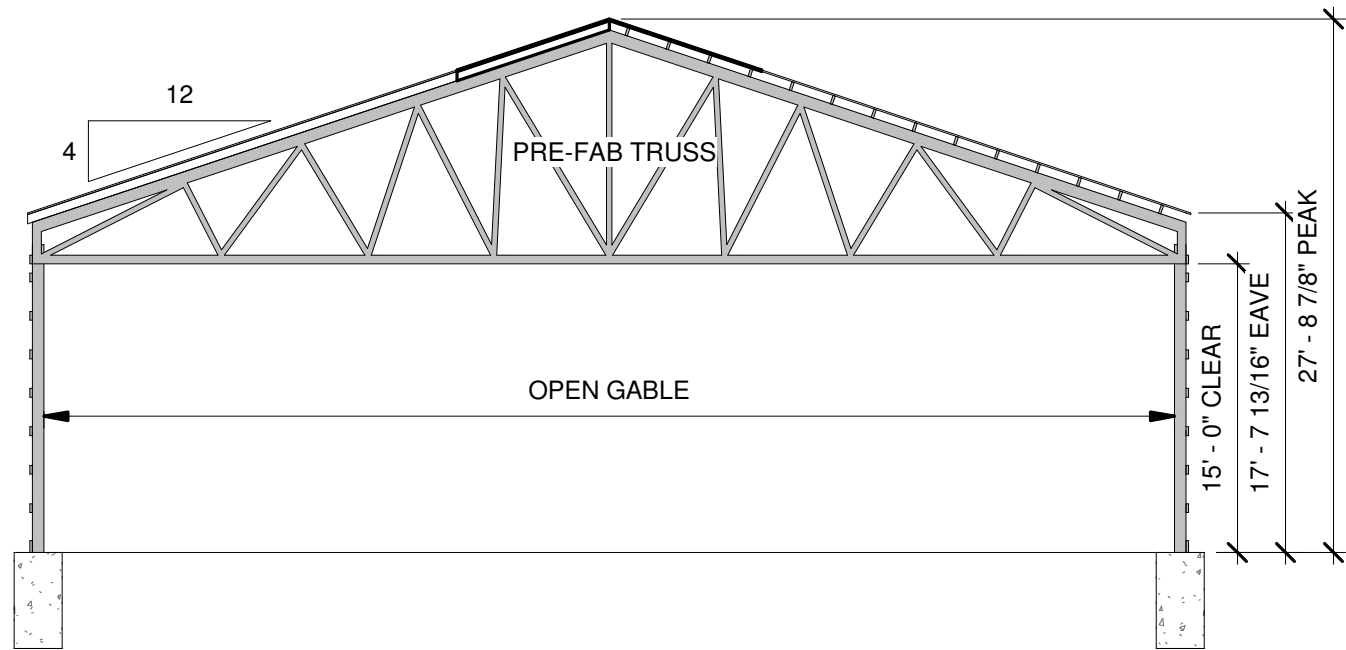
Job: HOLLEY

First Floor Plan

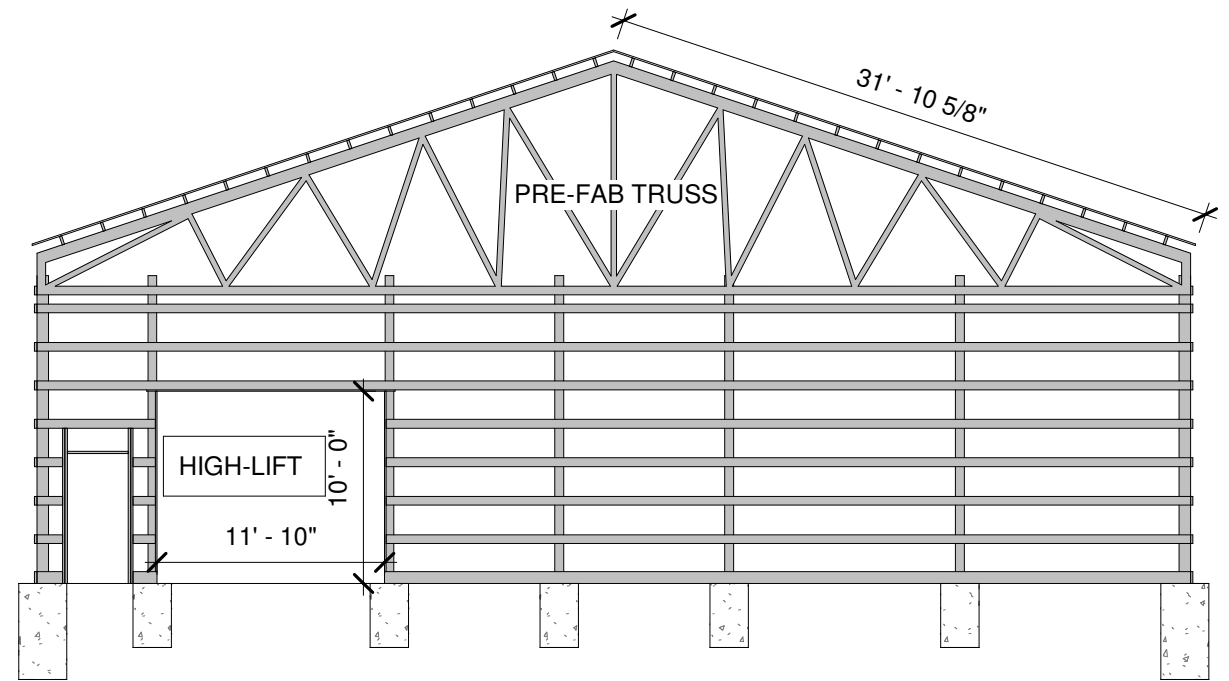
- NOTES:**
1. 6x8 HF #1 TREATED POST.
 2. EMBED POST INTO CONCRETE PIER. SEE DETAIL ON SHEET A7.
 3. WALLS: STANDARD GIRTS, 29 GA. STEEL PANEL.

A2

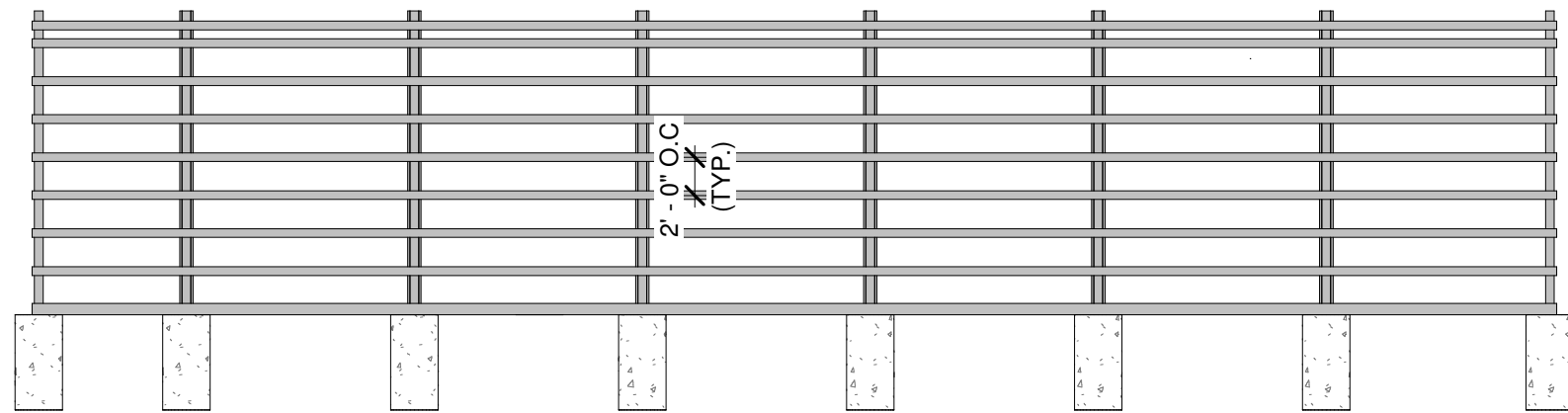
WEST



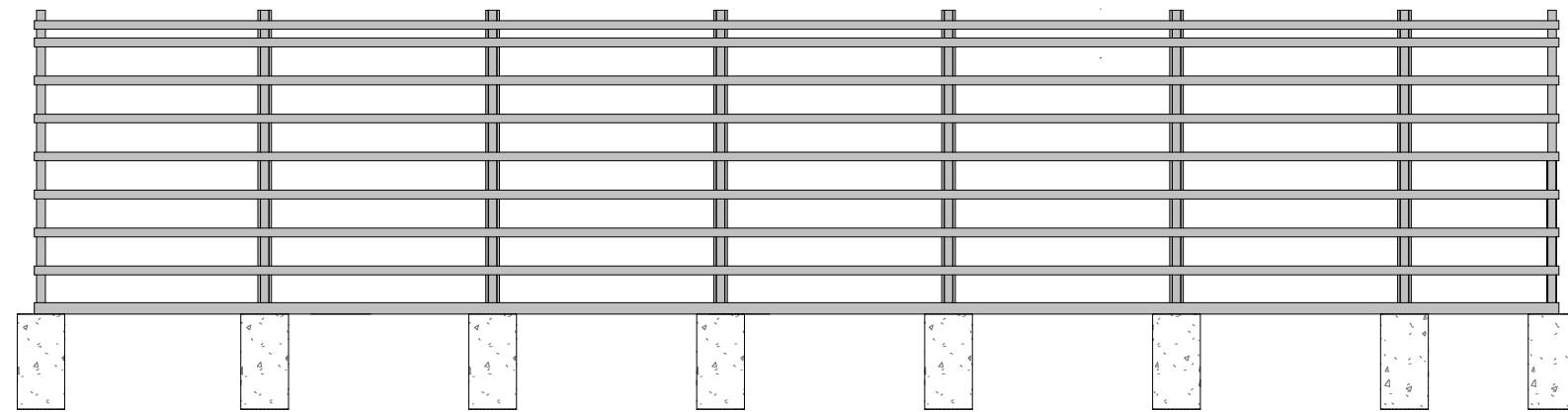
① SOUTH GIRT
1" = 10'-0"



② NORTH GIRT
1" = 10'-0"



③ WEST GIRT
1" = 10'-0"



④ EAST GIRT
1" = 10'-0"

ROPER BUILDINGS

DAN SCARBROUGH
(801) 540-5586

RICHARD HOLLEY

818 North 7800 East
Huntsville, UT 84317

Date: 11/2/2020

Scale: 1" = 10'-0"

Drawn by: CBC

Job: HOLLEY

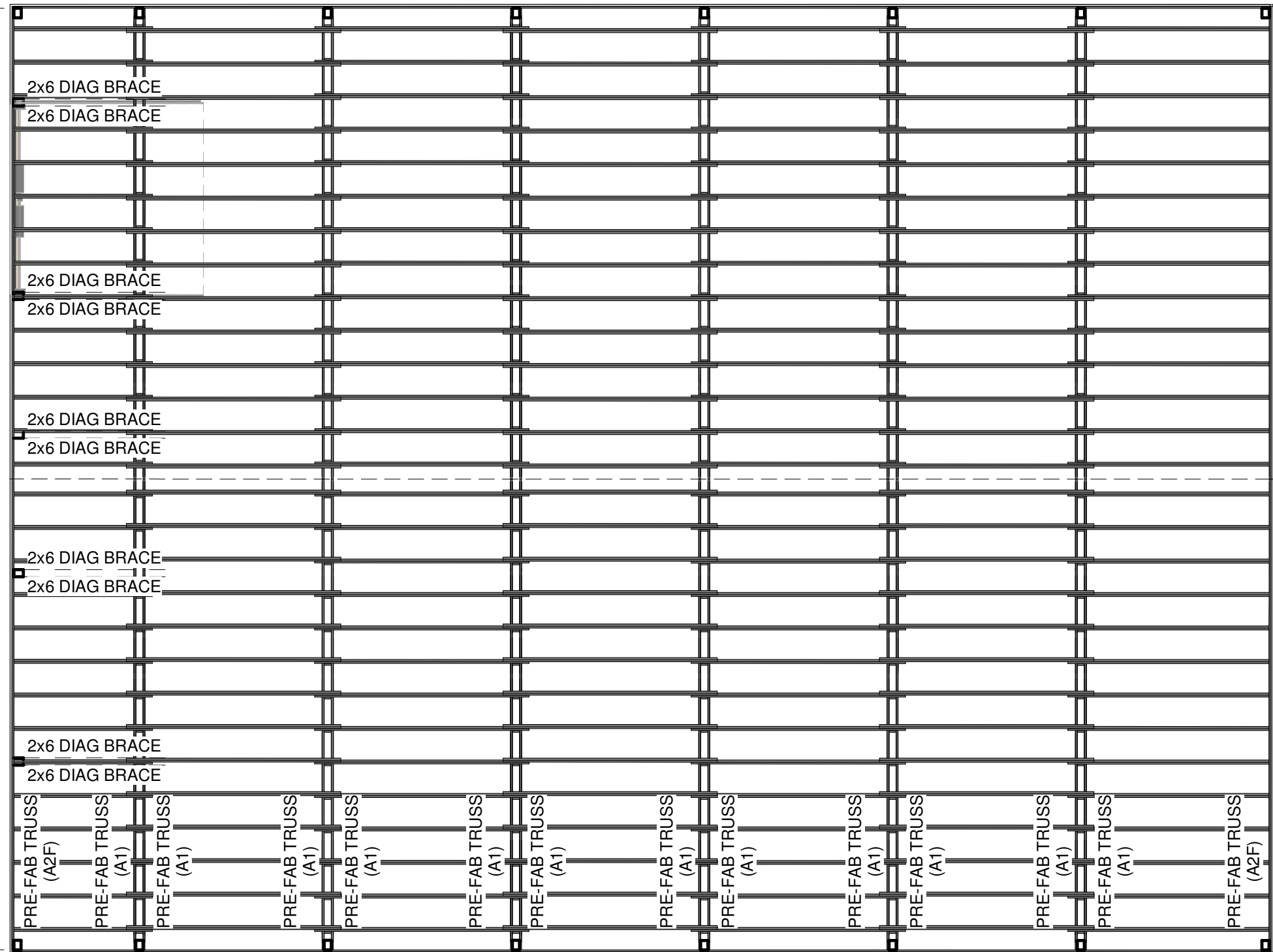
Girt Plans

A3

NORTH

EAST

2x6 DF #2 AT 24" ON CENTER OVERLAPPED
10" MIN. STARTING 5" MAX. FROM RIDGE LINE



1'-0" 3'-0"

FLYING GABLE

SOUTH
(FRONT OF BUILDING)

ROOF PLAN
1/8" = 1'-0"

WEST

ROOF FRAMING NOTES:
4:12 ROOF PITCH

PURLINS: 2x6 DF #2 AT 24" ON CENTER
OVERLAPPED 10" MIN. STARTING 5" MAX.
FROM RIDGE LINE

ROPER BUILDINGS

DAN SCARBROUGH
(801) 540-5586

RICHARD HOLLEY

818 North 7800 East
Huntsville, UT 84317

Date: 11/2/2020

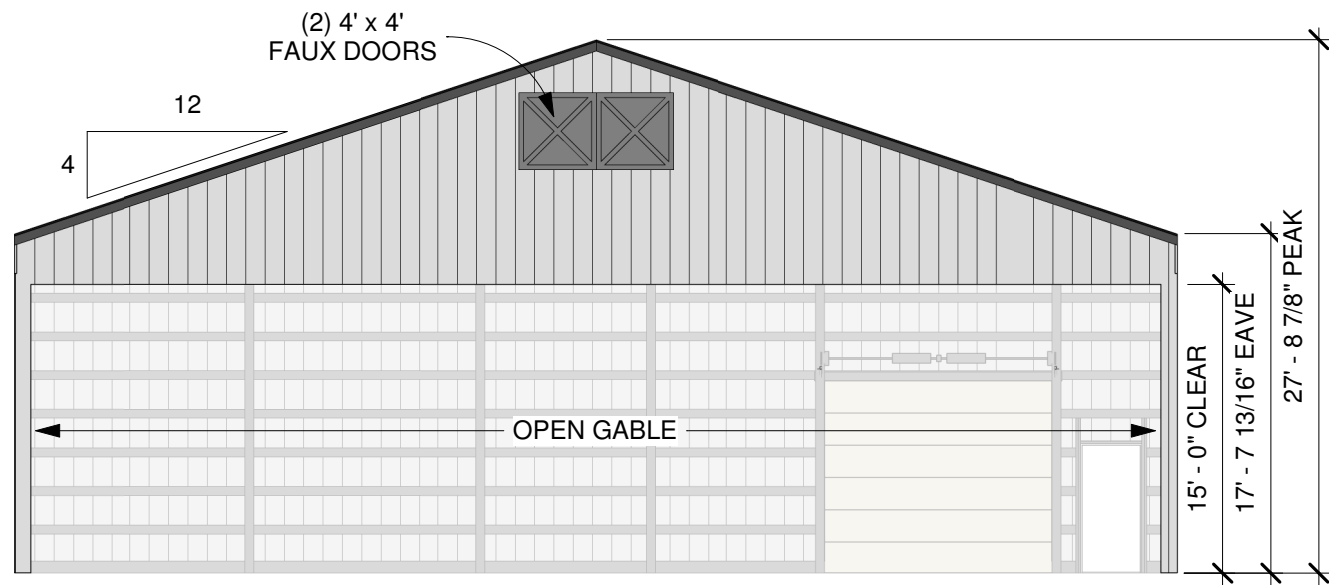
Scale: 1/8" = 1'-0"

Drawn by: CBC

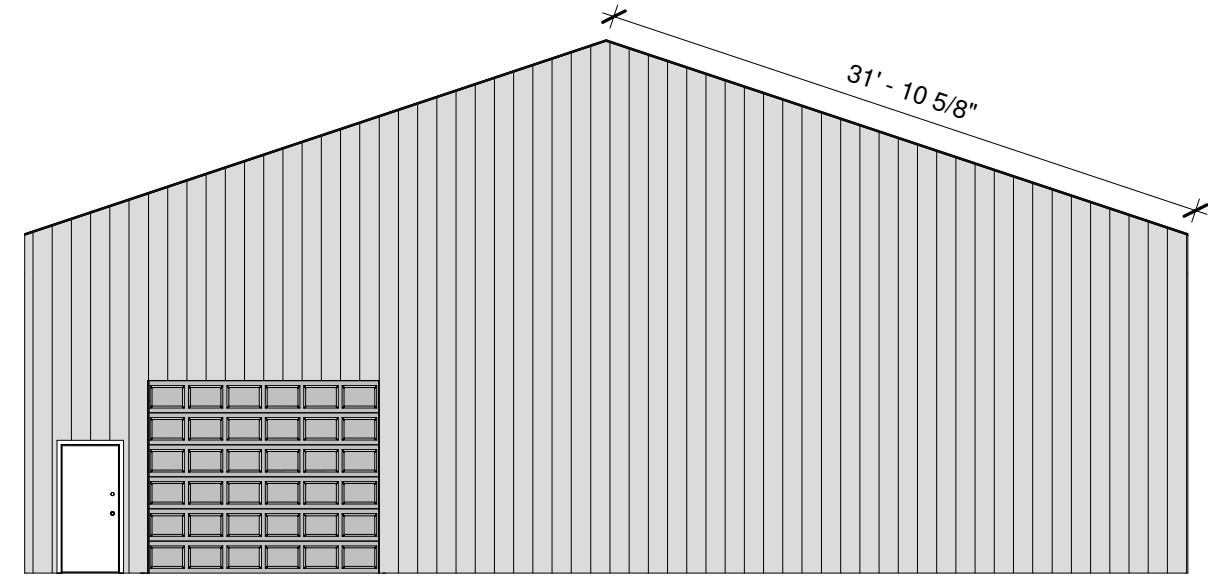
Job: HOLLEY

Roof Plan

A4



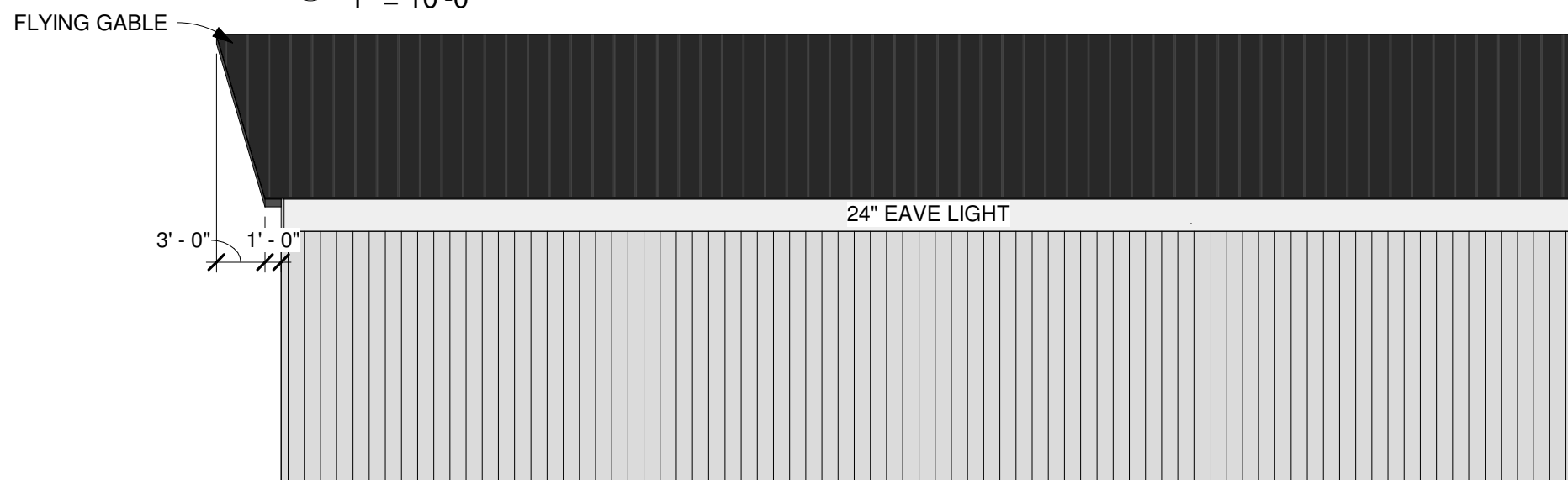
① SOUTH ELEVATION
1" = 10'-0"



② NORTH ELEVATION
1" = 10'-0"



③ WEST ELEVATION
1" = 10'-0"



④ EAST ELEVATION
1" = 10'-0"

ROPER BUILDINGS

DAN SCARBROUGH
(801) 540-5586

RICHARD HOLLEY

818 North 7800 East
Huntsville, UT 84317

Date: 11/2/2020

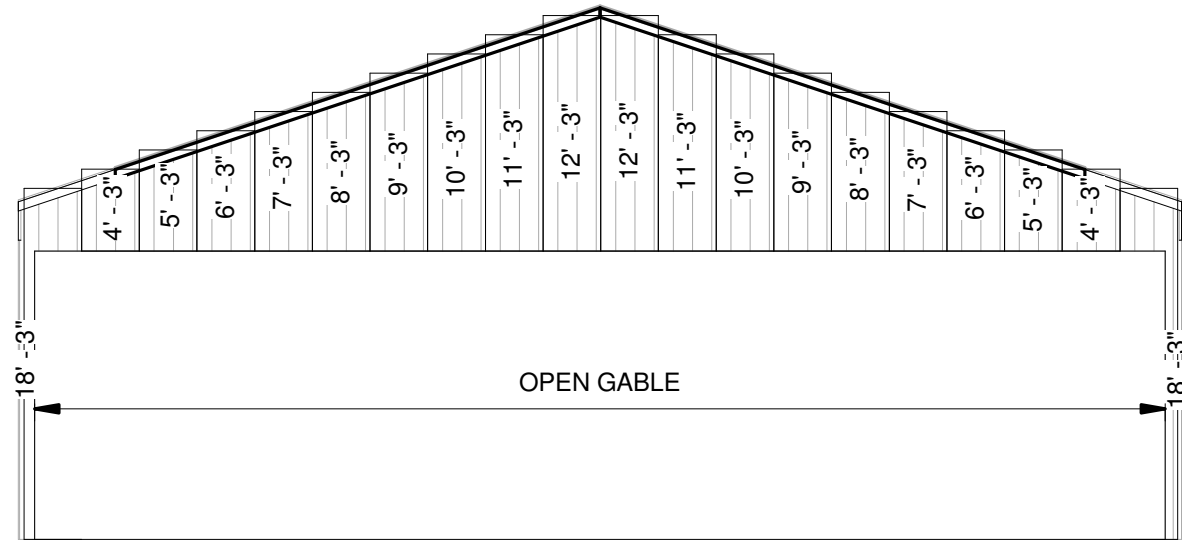
Scale: 1" = 10'-0"

Drawn by: CBC

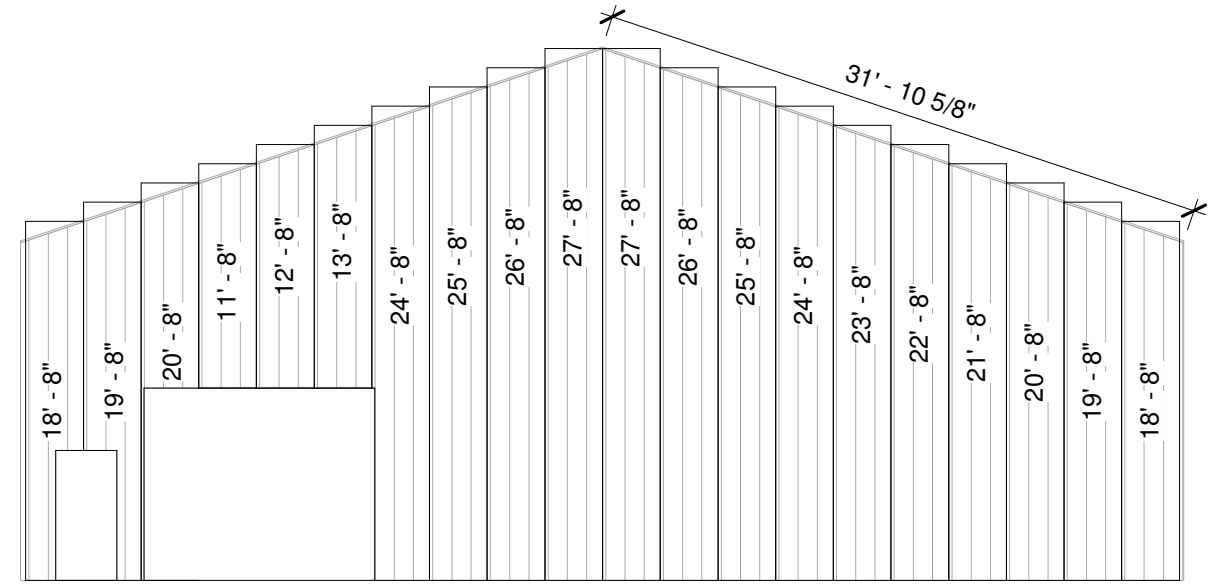
Job: HOLLEY

Elevations

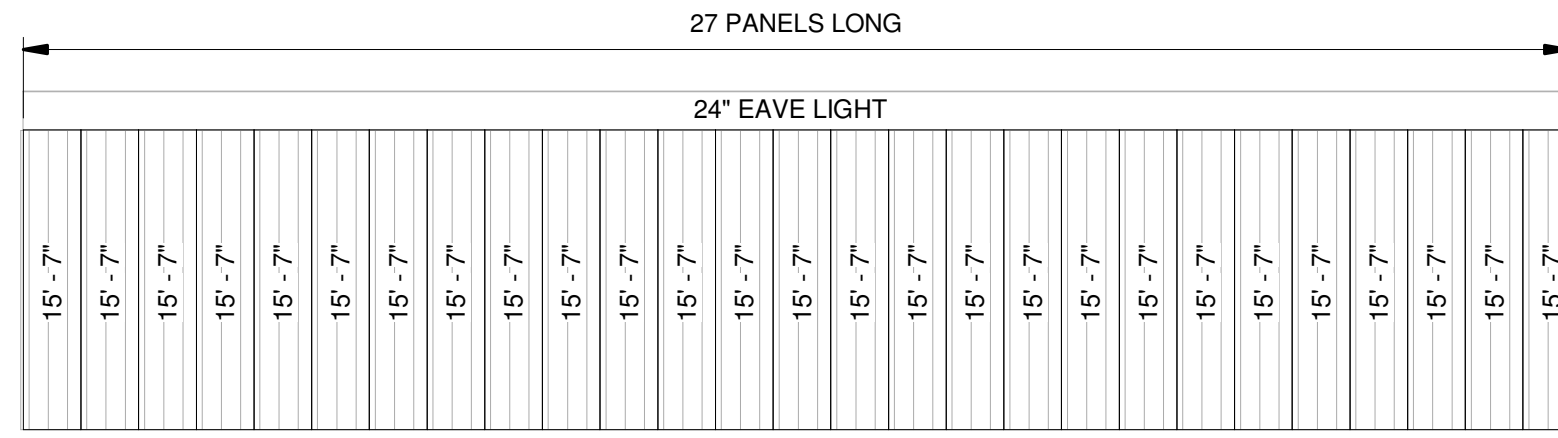
A5



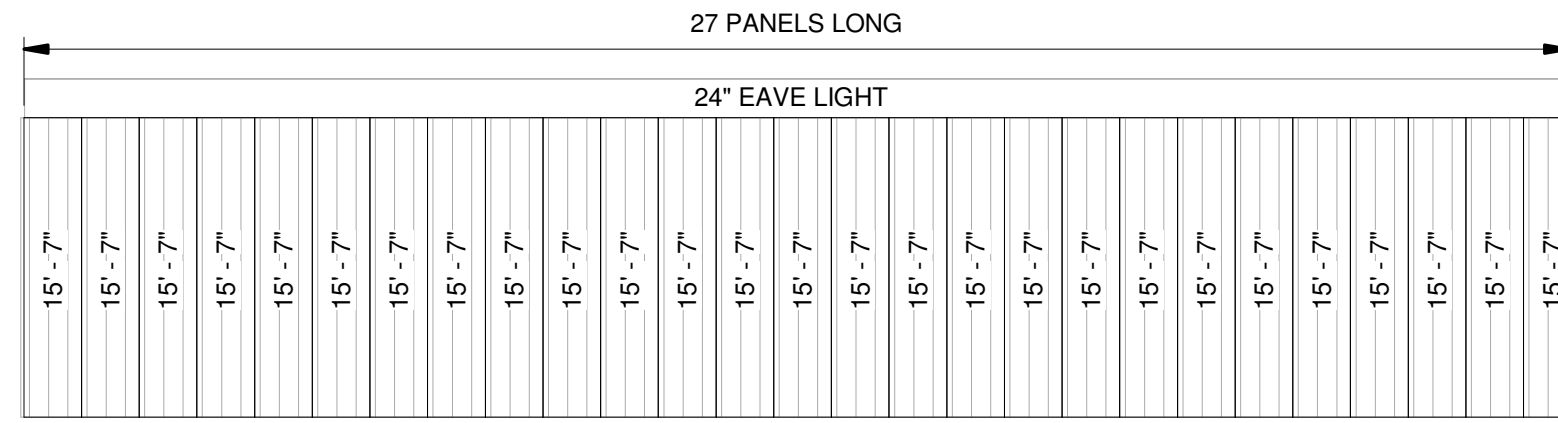
1 SOUTH PANEL
1" = 10'-0"



2 NORTH PANEL
1" = 10'-0"



3 WEST PANEL
1" = 10'-0"



4 EAST PANEL
1" = 10'-0"

ROPER BUILDINGS

DAN SCARBROUGH
(801) 540-5586

RICHARD HOLLEY

818 North 7800 East
Huntsville, UT 84317

Date: 11/2/2020

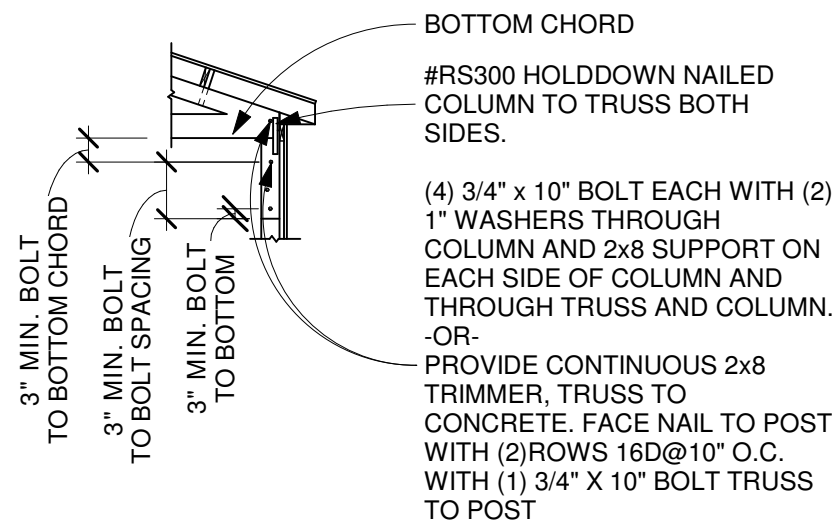
Scale: 1" = 10'-0"

Drawn by: CBC

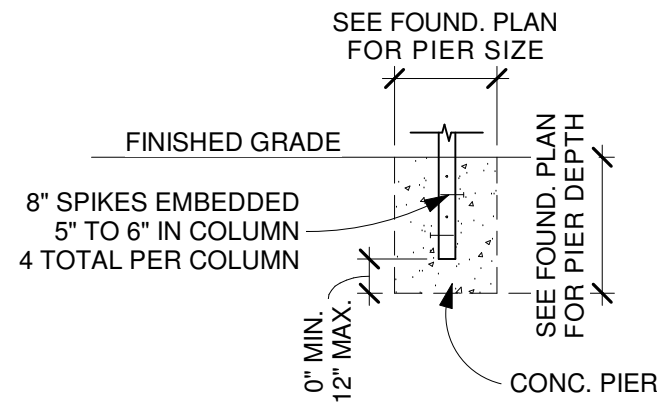
Job: HOLLEY

Panel Layouts

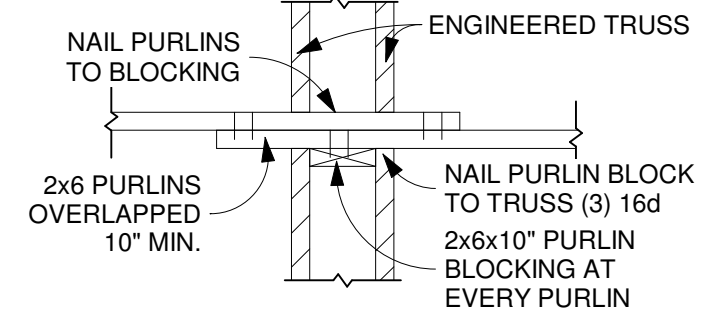
A6



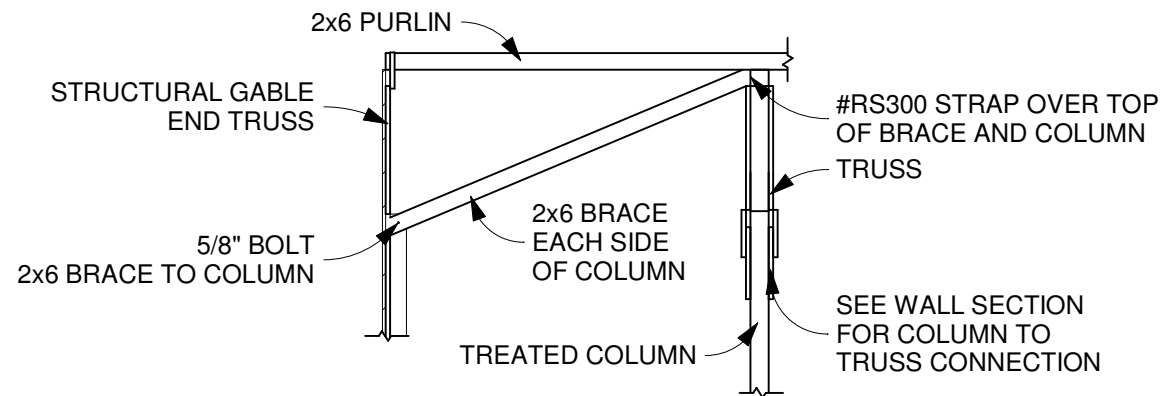
1 TRUSS SUPPORT TO POST DETAIL
N.T.S.



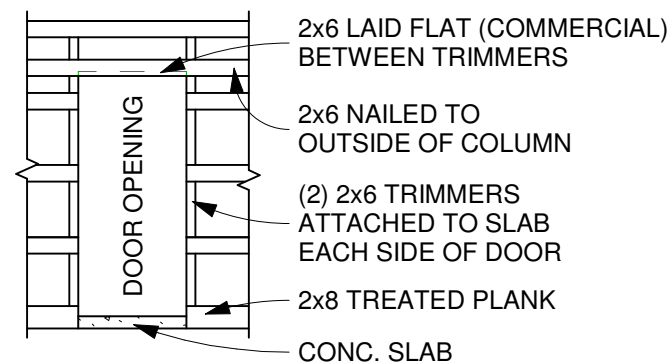
2 PIER DETAIL (TYPICAL)
N.T.S.



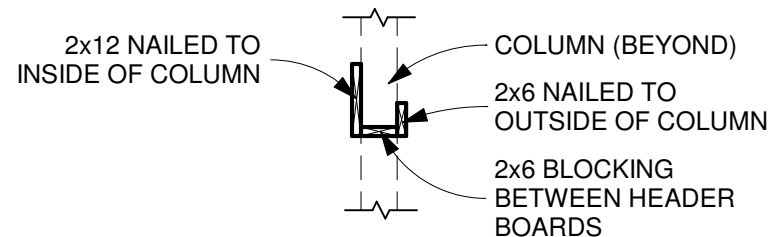
3 TYPICAL PURLIN CONNECTION
N.T.S.



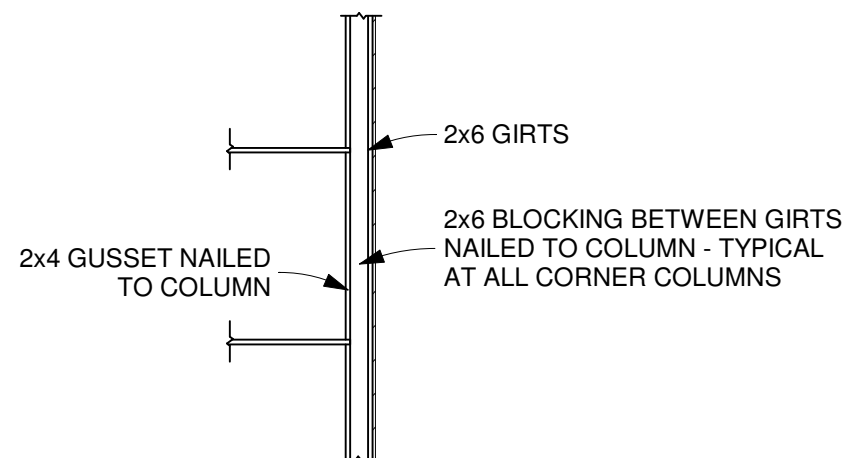
4 COLUMN TO TRUSS BRACE
N.T.S.



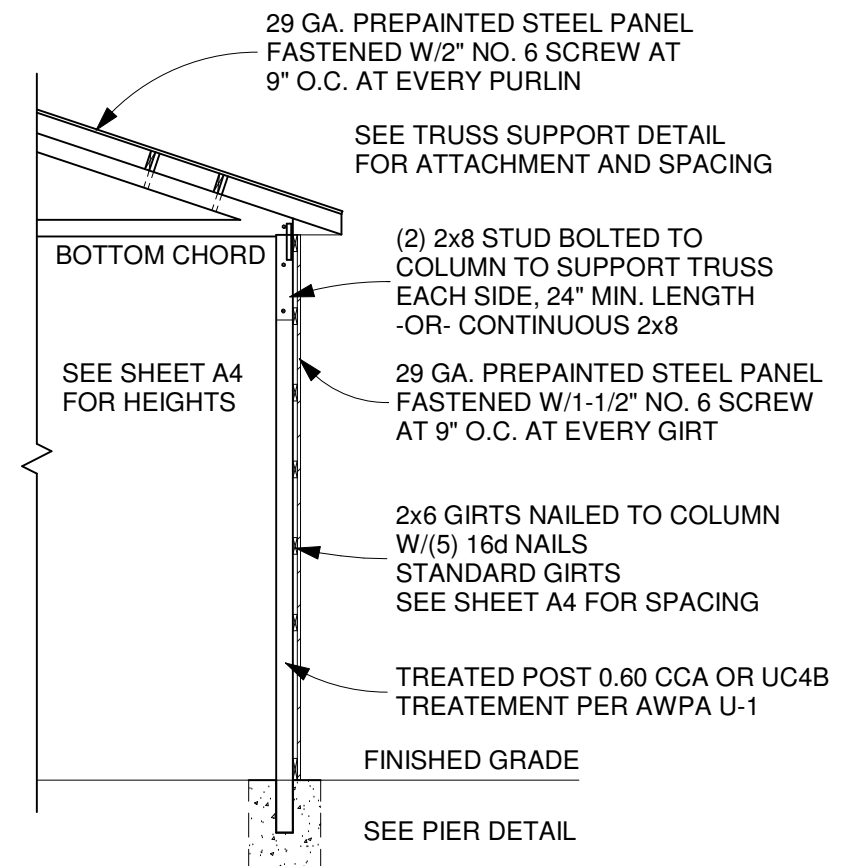
5 TYPICAL WALL SECTION
N.T.S.



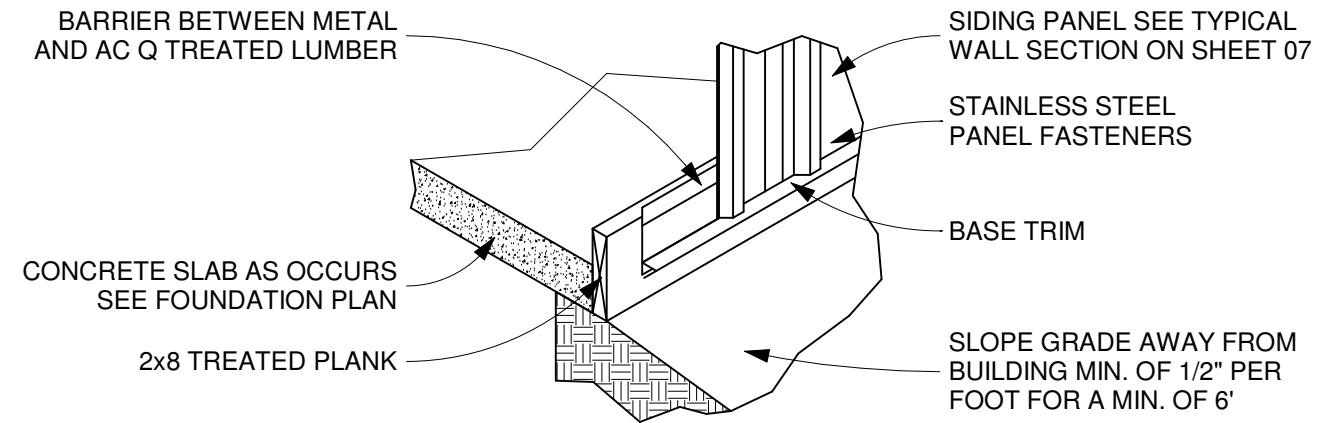
6 O.H. DOOR HEADER
N.T.S.



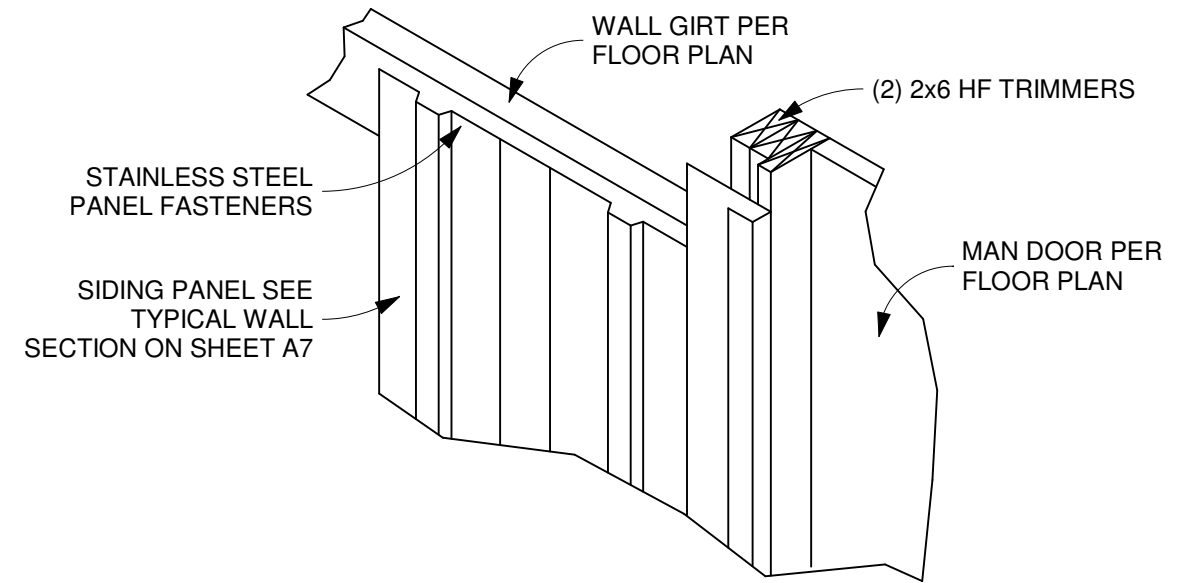
7 CORNER BLOCKING DETAIL
N.T.S.



8 TYPICAL WALL SECTION
N.T.S.



① BASE GUARD FLASHING
3/16" = 1'-0"



② MAN DOOR JAMB FLASHING
N.T.S.

ROPER BUILDINGS

DAN SCARBROUGH
(801) 540-5586

RICHARD HOLLEY

818 North 7800 East
Huntsville, UT 84317

Date: 11/2/2020

Scale: N.T.S.

Drawn by: CBC

Job: HOLLEY

Details 2

A8