

SUNCREST MEADOWS SUBDIVISION - PH3

CONSTRUCTION DOCUMENTS WEBER COUNTY, UTAH

TRAFFIC CONTROL & SAFETY NOTES

1. BARRICADING AND DETOURING SHALL BE IN CONFORMANCE WITH THE REQUIREMENTS OF THE CURRENT STATE OF UTAH DEPARTMENT OF TRANSPORTATION MANUAL OF TRAFFIC CONTROLS FOR CONSTRUCTION AND MAINTENANCE WORK ZONES, AND THE CURRENT CITY STANDARD DRAWING, AND SHALL BE APPROVED BY THE CITY ENGINEER PRIOR TO ANY WORK.
2. NO STREET SHALL BE CLOSED TO TRAFFIC WITHOUT WRITTEN PERMISSION FROM THE CITY TRAFFIC ENGINEER, EXCEPT WHEN DIRECTED BY LAW ENFORCEMENT OR FIRE OFFICIALS.
3. THE CONTRACTOR SHALL MAKE EVERY EFFORT TO PROVIDE FOR SMOOTH TRAFFIC FLOW AND SAFETY. ACCESS SHALL BE MAINTAINED FOR ALL PROPERTIES ADJACENT TO THE WORK.
4. DETOURING OPERATIONS FOR A PERIOD OF SIX CONSECUTIVE CALENDAR DAYS, OR MORE, REQUIRE THE INSTALLATION OF TEMPORARY STREET STRIPING AND REMOVAL OF INTERFERING STRIPING BY SANDBLASTING. THE DETOURING STRIPING PLAN OR CONSTRUCTION TRAFFIC CONTROL PLAN MUST BE SUBMITTED TO THE CITY TRAFFIC ENGINEER FOR REVIEW AND APPROVAL.
5. ALL TRAFFIC CONTROL DEVICES SHALL BE RESTORED TO THEIR ORIGINAL CONDITION AT THE END OF THE WORK TO THE SATISFACTION OF THE CITY TRAFFIC ENGINEER
6. TRAFFIC CONTROL DEVICES (TCDs) SHALL REMAIN VISIBLE AND OPERATIONAL AT ALL TIMES.

UTILITY DISCLAIMER

THE CONTRACTOR IS SPECIFICALLY CAUTIONED THAT EXISTING UNDERGROUND UTILITIES AND IMPROVEMENTS ARE SHOWN IN THEIR APPROXIMATE LOCATIONS BASED UPON RECORD INFORMATION AVAILABLE AT THE TIME OF PREPARATION OF PLANS. LOCATIONS MAY NOT HAVE BEEN VERIFIED IN THE FIELD AND NO GUARANTEE IS MADE AS TO ACCURACY OR COMPLETENESS OF THE INFORMATION SHOWN. IT SHALL BE RESPONSIBILITY OF THE CONTRACTOR TO DETERMINE THE EXISTENCE AND LOCATION OF THOSE UTILITIES SHOWN ON THESE PLANS OR INDICATED IN THE FIELD BY LOCATING SERVICES. ANY ADDITIONAL COSTS INCURRED AS A RESULT OF CONTRACTOR'S FAILURE TO VERIFY LOCATIONS OF EXISTING UTILITIES PRIOR TO BEGINNING OF CONSTRUCTION IN THEIR VICINITY SHALL BE BORNE BY THE CONTRACTOR AND ASSUMED INCLUDED IN THE CONTRACT.

NOTICE TO CONTRACTOR

ALL CONTRACTORS AND SUBCONTRACTORS PERFORMING WORK SHOWN ON OR RELATED TO THESE PLANS SHALL CONDUCT THEIR OPERATIONS SO THAT ALL EMPLOYEES ARE PROVIDED A SAFE PLACE TO WORK AND THE PUBLIC IS PROTECTED. ALL CONTRACTORS AND SUBCONTRACTORS SHALL COMPLY WITH THE "OCCUPATIONAL SAFETY AND HEALTH REGULATIONS OF THE U.S. DEPARTMENT OF LABOR AND THE STATE OF UTAH DEPARTMENT OF INDUSTRIAL RELATIONS CONSTRUCTION SAFETY ORDERS". THE CIVIL ENGINEER SHALL NOT BE RESPONSIBLE IN ANY WAY FOR CONTRACTORS AND SUBCONTRACTORS COMPLIANCE WITH SAID REGULATIONS AND ORDERS.

CONTRACTOR FURTHER AGREES THAT HE SHALL ASSUME SOLE AND COMPLETE RESPONSIBILITY FOR JOB-SITE CONDITIONS DURING THE COURSE OF CONSTRUCTION OF THIS PROJECT, INCLUDING SAFETY OF ALL PERSONS AND PROPERTY, THAT THIS REQUIREMENT SHALL APPLY CONTINUOUSLY AND NOT BE LIMITED TO NORMAL WORKING HOURS, AND THAT THE CONTRACTOR SHALL DEFEND, INDEMNIFY AND HOLD THE OWNER AND THE CIVIL ENGINEER HARMLESS FROM ANY AND ALL LIABILITY, REAL OR ALLEGED IN CONNECTION WITH THE PERFORMANCE OF WORK ON THIS PROJECT, EXCEPTING FOR LIABILITY ARISING FROM THE SOLE NEGLIGENCE OF THE OWNER OR ENGINEER.

SANITARY SEWER GENERAL NOTES

1. ALL SANITARY SEWER CONSTRUCTION SHALL BE IN CONFORMANCE WITH CITY STANDARDS AND SPECIFICATIONS.
2. ALL GRAVITY SANITARY SEWER LINES SHALL BE SDR-35 PVC MATERIAL. SEWER LINE CONSTRUCTION AND MATERIALS SHALL CONFORM TO ASTM STANDARDS AND SPECIFICATIONS.
3. DISTANCES SHOWN ON PLANS ARE APPROXIMATE AND COULD VARY DUE TO VERTICAL ALIGNMENT.
4. RIM ELEVATIONS SHOWN ARE APPROXIMATE ONLY AND ARE NOT TO BE TAKEN AS FINAL ELEVATION. PIPELINE CONTRACTOR SHALL USE PRECAST CONCRETE ADJUSTMENT RINGS, GROUT AND STEEL SHIMS TO ADJUST THE MANHOLE FRAME TO THE REQUIRED FINAL GRADE IN CONFORMANCE WITH THE STANDARD SPECIFICATIONS. ALL FRAMES SHALL BE ADJUSTED TO FINAL GRADE.
5. ALL SANITARY SEWER MAIN TESTING SHALL BE IN ACCORDANCE WITH THE CITY STANDARDS AND SPECIFICATIONS. COPIES OF ALL TEST RESULTS SHALL BE PROVIDED TO THE PUBLIC WORKS SANITARY SEWER DEPARTMENT HEAD PRIOR TO FINAL ACCEPTANCE.
6. COMPACTION TESTING OF ALL TRENCHES WITH THE PROJECT SITE MUST BE ATTAINED AND RESULTS SUBMITTED TO THE CITY ENGINEER PRIOR TO FINAL ACCEPTANCE.
7. CONTRACTOR IS RESPONSIBLE TO PROTECT ALL EXISTING STRUCTURES AND IMPROVEMENTS DURING INSTALLATION OF SANITARY SEWER LINE.
8. WHERE CONNECTION TO EXISTING UTILITY IS PROPOSED, CONTRACTOR SHALL VERIFY LOCATION AND ELEVATION AND NOTIFY OWNER/ENGINEER IF LOCATION AND ELEVATION OF EXISTING UTILITY VARIES FROM THE DESIGN.
9. CAMERA TESTING AND PRESSURE TESTING PER CITY STANDARD.

GENERAL NOTES

1. ALL MATERIALS, WORKMANSHIP AND CONSTRUCTION OF SITE IMPROVEMENTS SHALL MEET OR EXCEED THE STANDARDS AND SPECIFICATIONS SET FORTH BY THE CITY ENGINEER, PLANNING, CODES AND SPECIFICATIONS AND APPLICABLE STATE AND FEDERAL REGULATIONS. WHERE THERE IS CONFLICT BETWEEN THESE PLANS AND SPECIFICATIONS, OR ANY APPLICABLE STANDARDS, THE HIGHER QUALITY STANDARD SHALL APPLY.
2. THE CONTRACTOR IS SPECIFICALLY CAUTIONED THAT THE LOCATION AND OR ELEVATION OF EXISTING UTILITIES, AS SHOWN ON THESE PLANS IS BASED ON RECORDS OF THE VARIOUS UTILITY COMPANIES AND WHERE POSSIBLE, MEASUREMENTS TAKEN IN THE FIELD. THE INFORMATION IS NOT TO BE RELIED UPON AS BEING EXACT OR COMPLETE. THE CONTRACTOR MUST CALL THE LOCAL UTILITY LOCATION CENTER AT LEAST 48 HOURS BEFORE ANY EXCAVATION TO REQUEST EXACT FIELD LOCATIONS OF THE UTILITIES. PRIOR TO CONSTRUCTION, THE CONTRACTOR SHALL VERIFY PERTINENT LOCATIONS AND ELEVATIONS, ESPECIALLY AT THE CONNECTION POINTS AND AT POTENTIAL UTILITY CONFLICTS. IT SHALL BE THE RESPONSIBILITY OF THE CONTRACTOR TO RELOCATE ALL EXISTING UTILITIES THAT CONFLICT WITH THE PROPOSED IMPROVEMENTS SHOWN ON THESE PLANS.
3. THE CONTRACTOR IS RESPONSIBLE FOR OBTAINING ALL NECESSARY PERMITS FROM ALL APPLICABLE AGENCIES. THE CONTRACTOR SHALL NOTIFY THE DESIGNATED PUBLIC WORKS INSPECTOR AT LEAST 48 HOURS PRIOR TO THE START OF ANY EARTH DISTURBING ACTIVITY, OR CONSTRUCTION ON ANY AND ALL PUBLIC IMPROVEMENTS.
4. THE CONTRACTOR SHALL COORDINATE AND COOPERATE WITH THE CITY AND ALL UTILITY COMPANIES INVOLVED WITH REGARD TO RELOCATIONS OR ADJUSTMENTS OF EXISTING UTILITIES DURING CONSTRUCTION AND TO ASSURE THAT THE WORK IS ACCOMPLISHED IN A TIMELY FASHION AND WITH A MINIMUM DISRUPTION OF SERVICE.
5. THE CONTRACTOR SHALL HAVE ONE (1) COPY OF APPROVED PLANS, AND ONE (1) COPY OF THE APPROPRIATE STANDARDS AND SPECIFICATIONS AND A COPY OF ANY PERMITS AND EXTENSION AGREEMENTS NEEDED FOR THE JOB, ON SITE AT ALL TIMES.
6. THE CONTRACTOR SHALL BE RESPONSIBLE FOR ALL ASPECTS OF SAFETY INCLUDING BUT NOT LIMITED TO, EXCAVATION, TRENCHING, SHORING, TRAFFIC CONTROL, AND SECURITY.
7. IF DURING THE CONSTRUCTION PROCESS CONDITIONS ARE ENCOUNTERED BY THE CONTRACTOR, HIS SUBCONTRACTORS, OR OTHER AFFECTED PARTIES, WHICH COULD INDICATE A SITUATION THAT IS NOT IDENTIFIED IN THE PLANS OR SPECIFICATIONS, THE CONTRACTOR SHALL CONTACT THE ENGINEER IMMEDIATELY.
8. THE CONTRACTOR IS RESPONSIBLE FOR PROVIDING ALL LABOR AND MATERIALS NECESSARY FOR THE COMPLETION OF THE INTENDED IMPROVEMENTS SHOWN ON THESE DRAWINGS OR DESIGNATED TO BE PROVIDED, INSTALLED, CONSTRUCTED, REMOVED AND RELOCATED UNLESS SPECIFICALLY NOTED OTHERWISE.
9. THE CONTRACTOR SHALL BE RESPONSIBLE FOR KEEPING ROADWAYS FREE AND CLEAR OF ALL CONSTRUCTION DEBRIS AND DIRT TRACKED FROM THE SITE.
10. THE CONTRACTOR SHALL BE RESPONSIBLE FOR RECORDING AS-BUILT DRAWINGS ON A SET OF RECORD DRAWINGS KEPT AT THE CONSTRUCTION SITE, AND AVAILABLE TO THE CITY INSPECTOR AT ALL TIMES.
11. THE CONTRACTOR SHALL SEQUENCE INSTALLATION OF UTILITIES IN SUCH A MANNER AS TO MINIMIZE POTENTIAL UTILITY CONFLICTS. IN GENERAL, STORM SEWER AND SANITARY SEWER SHOULD BE CONSTRUCTED PRIOR TO INSTALLATION OF WATER LINES AND DRY UTILITIES.
12. IT SHALL BE THE RESPONSIBILITY OF THE CONTRACTOR TO COORDINATE ALL UTILITY RELOCATIONS CONSISTENT WITH THE CONTRACTORS SCHEDULE FOR THIS PROJECT, WHETHER SHOWN OR NOT SHOWN AS IT RELATES TO THE CONSTRUCTION ACTIVITIES CONTEMPLATED IN THESE PLANS.

SWPPP GENERAL NOTES

1. CONTRACTOR SHALL OBTAIN ALL NECESSARY PERMITS AS REQUIRED BY THE CITY AND STATE.
2. ALL STRUCTURAL EROSION MEASURES SHALL BE INSTALLED AS SHOWN ON THE SWPPP PLAN, PRIOR TO ANY OTHER GROUND-DISTURBING ACTIVITY. ALL EROSION CONTROL MEASURES SHALL BE MAINTAINED IN GOOD REPAIR BY THE CONTRACTOR, UNTIL SUCH TIME AS THE ENTIRE DISTURBED AREAS ARE STABILIZED WITH HARD SURFACE OR LANDSCAPING.

STORM SEWER GENERAL NOTES

1. THE CONTRACTOR SHALL BE RESPONSIBLE FOR THE FOLLOWING:
A) OBTAIN ALL REQUIRED PERMITS FROM THE CITY OR REGULATORY AGENCIES, INCLUDING PERMITS TO WORK IN THE RIGHT-OF-WAY.
B) RESTORATION OF EXISTING IMPROVEMENTS INCLUDING BUT NOT LIMITED TO FENCES, SOD, LANDSCAPING, PAVEMENT, SPRINKLER SYSTEM.
C) VERIFICATION AND PROTECTION OF ALL EXISTING IMPROVEMENTS WITHIN THE LIMITS OF CONSTRUCTION.
D) PROVIDING AS-BUILT DRAWINGS TO THE CITY AND THE ENGINEER.
E) ALL PERMITTING, DEVELOPMENT, LOCATION, CONNECTION AND INSPECTION AND SCHEDULING FOR SUCH.
2. ALL STORM SEWER CONNECTIONS SHALL BE IN CONFORMANCE WITH CITY STANDARDS AND SPECIFICATIONS.
3. RIM ELEVATIONS SHOWN ARE APPROXIMATE ONLY AND ARE NOT TO BE TAKEN AS FINAL ELEVATION. PIPELINE CONTRACTOR SHALL USE PRECAST CONCRETE ADJUSTMENT RINGS, GROUT, AND STEEL SHIMS TO ADJUST THE MANHOLE FRAME TO THE REQUIRED FINAL GRADE IN CONFORMANCE WITH CITY STANDARDS AND SPECIFICATIONS AND PLANS. ALL FRAMES SHALL BE ADJUSTED TO FINAL GRADE PRIOR TO PLACEMENT OF ASPHALT PAVING.
4. COMPACTION OF ALL TRENCHES WITHIN THE PROJECT SITE MUST BE ATTAINED AND COMPACTION RESULTS SUBMITTED TO THE ENGINEER AND THE CITY PRIOR TO FINAL ACCEPTANCE.
5. ALL STORM DRAIN PIPES IN THE CITY RIGHT-OF-WAY SHALL BE RCP CL III.
6. ALL STORM SEWER MANHOLES IN PAVED AREAS SHALL BE FLUSH WITH THE PAVEMENT AND SHALL HAVE TRAFFIC BEARING LIDS. ALL STORM SEWER LIDS SHALL BE LABELED "STORM DRAIN".
7. WHERE CONNECTION TO EXISTING UTILITY IS PROPOSED, CONTRACTOR SHALL VERIFY LOCATION AND ELEVATION AND NOTIFY OWNER/ENGINEER IF LOCATION AND ELEVATION OF EXISTING UTILITY VARIES FROM THE DESIGN.

GENERAL GRADING NOTES

1. ALL WORK SHALL BE IN ACCORDANCE WITH THE LATEST APWA STANDARDS AND SPECIFICATION FOR PUBLIC WORKS AND THE CITY STANDARDS. CONTRACTOR SHALL ENSURE POSITIVE DRAINAGE AWAY FROM BUILDING FOUNDATIONS AND ENTRIES. FINISHED GRADE AT FOUNDATION FOR WOOD FRAMED STRUCTURES SHALL BE 8 INCHES BELOW TOP OF FOUNDATION AND DRAINAGE SHALL BE A MINIMUM OF 5% WITHIN 10 FEET FROM THE BUILDING.
2. MAXIMUM SLOPES SHALL BE 3:1 FOR CUT AND FILL UNLESS OTHERWISE NOTED.
3. COMPACTION REQUIREMENTS AND TESTING SHALL BE PERFORMED TO MEET THE CITY STANDARDS.
4. NO FILL SHALL BE PLACED UNTIL VEGETATION HAS BEEN REMOVED AND SUB-GRADE PREPARED PER THE SOILS REPORT.
5. DUST SHALL BE CONTROLLED BY WATERING OR OTHER APPROVED METHODS.
6. CONTRACTOR SHALL COMPLY WITH STORM WATER POLLUTION PREVENTION PLAN BY INSTALLING BMP'S PRIOR TO COMMENCEMENT OF EXCAVATION ACTIVITIES. CONTACT THE CITY INSPECTOR FOR INSPECTION.
7. ALL RECOMMENDATIONS OF THE GEOTECHNICAL REPORT AND ALL SUBSEQUENT REPORTS, ADDENDUM ETC. SHALL BE CONSIDERED A PART OF THIS GRADING PLAN AND SHALL BE COMPLIED WITH.
8. THE CONTRACTOR SHALL CONTACT BLUE STAKES FOR LOCATION MARKING PRIOR TO COMMENCING EXCAVATION ACTIVITIES.
9. CITY MAY REQUIRE A PRE-CONSTRUCTION MEETING BEFORE A PERMIT IS ISSUED.
10. STREETS ADJACENT TO THE PROJECT SHALL BE CLEAN AT ALL TIMES.
11. CONTRACTOR IS RESPONSIBLE FOR ARRANGING FOR ALL REQUIRED INSPECTIONS.
12. PRIOR TO TAKING WATER FROM A CITY FIRE HYDRANT, THE CONTRACTOR SHALL MAKE ARRANGEMENTS WITH THE WATER UTILITY TO OBTAIN A WATER METER.

CULINARY WATER GENERAL NOTES

1. ALL INSTALLATION AND MATERIALS SHALL CONFORM TO TAYLOR - WEST WEBER WATER IMPROVEMENT DISTRICT STANDARDS, SPECIFICATIONS AND PLANS.
2. THRUST BLOCKING IS REQUIRED AT ALL BENDS AND FITTINGS. TIE RODS SHALL BE USED AT ALL BENDS AND FITTINGS WHERE THRUST BLOCKS DO NOT BEAR AGAINST UNDISTURBED SOIL.
3. ALL WATERLINES AT SEWER CROSSINGS SHALL BE LOCATED ABOVE AND HAVE AN 18-INCH VERTICAL SEPARATION FROM THE SEWER PIPE. IF THIS IS NOT PROVIDED, THE WATERLINE SHALL BE INSTALLED WITH 20 L.F. OF CONCRETE CASING CENTERED OVER THE SEWER PIPE.
4. DISINFECTION TESTS SHALL BE PERFORMED BY THE TAYLOR - WEST WEBER WATER IMPROVEMENT DISTRICT WITH COOPERATION FROM THE CONTRACTOR IN PERFORMING ANY NECESSARY EXCAVATION AND SUBSEQUENT BACKFILLING AT NO COST TO THE COUNTY.
5. CHLORINATION OF COMPLETED WATER LINE. THE NEW WATER LINES SHALL BE DISINFECTED BY CHLORINATION. THE CONTRACTOR WILL BE RESPONSIBLE FOR ALL RELATED COSTS AND FEES RELATED TO THE CHLORINATION OF THE COMPLETED WATER LINE. THIS TEST SHALL BE PERFORMED PRIOR TO CONNECTION OF THE NEW WATER LINES TO THE EXISTING WATER SYSTEM. THE CONTRACTOR SHALL NOTIFY THE TAYLOR - WEST WEBER WATER IMPROVEMENT DISTRICT AT LEAST 24 HOURS BEFORE THE CHLORINATION IS DESIRED. THE DISTRICTS PHONE NUMBER IS (801) 731-1668.
6. A MINIMUM HORIZONTAL CLEARANCE OF 10 FEET SHALL BE MAINTAINED FROM SANITARY SEWER MAINS.
7. UNLESS OTHERWISE SPECIFIED, ALL WATERLINES SHALL BE AWWA C900 DR14 PVC CLASS 150, PER ASTM D2241.
8. CONTRACTOR SHALL LOCATE VALVES PRIOR TO CONNECTION WITH EXISTING SYSTEM, BUT SHALL NOT OPERATE ANY VALVE WITHOUT PERMISSION FROM THE TAYLOR - WEST WEBER WATER IMPROVEMENT DISTRICT.
9. ALL WATER MAINS, VALVES, FIRE HYDRANTS, SERVICES AND APPURTENANCES SHALL BE INSTALLED, TESTED, AND APPROVED PRIOR TO PAVING.
10. THERE SHALL BE A WATER SUPPLY TO THE DEVELOPMENT BEFORE ANY WOOD CONSTRUCTION STARTS.
11. THE TAYLOR - WEST WEBER WATER IMPROVEMENT DISTRICT REQUIRES THE USE OF CORROSION RESISTANT MATERIALS FOR ALL CULINARY WATER IMPROVEMENTS. SPECIFICALLY, TRIPAC 2000 BLUE COATING SYSTEM OR STAINLESS STEEL BOLTS MUST BE USED ON ALL FITTINGS. FURTHER, ALL METAL FITTINGS SHALL BE POLY WRAPPED.



DEVELOPER

BLACKBURN JONES
CARSON JONES
905 24TH ST
BOZEMAN
801-914-2018

ALL IMPROVEMENTS TO CONFORM TO CURRENT WEBER COUNTY STANDARDS AND SPECIFICATIONS

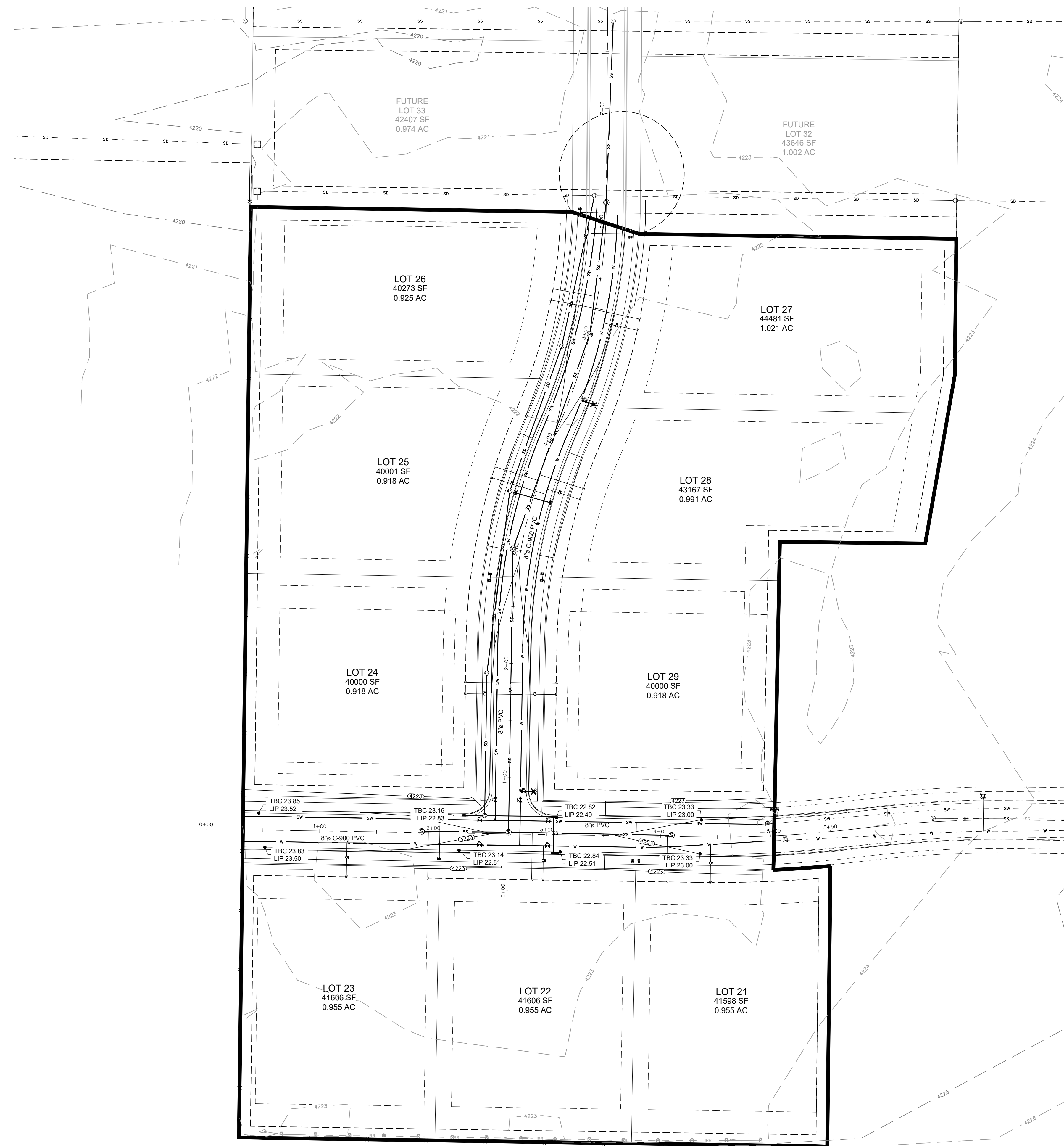
CULINARY WATER IMPROVEMENTS TO CONFORM TO THE TAYLOR WEST WEBER WATER IMPROVEMENT DISTRICT STANDARDS AND SPECIFICATIONS

SECONDARY WATER IMPROVEMENTS TO CONFORM TO THE HOOPER IRRIGATION STANDARDS AND SPECIFICATIONS

SUNCREST MEADOWS SUBDIVISION - PH3

CONSTRUCTION DOCUMENTS

01



GARDNER ENGINEERING
 TYLER M. NIELSON
 5150 SOUTH 375 EAST
 OGDEN, UT 84405
 (801) 476-0202
 tyler@gcivil.com

WEBER COUNTY PLANNING/ENGINEER
 2380 WASHINGTON BLVD. #240
 OGDEN, UTAH 84401
 (801) 399-8791

TAYLOR - WEST WEBER WATER IMPROVEMENT DISTRICT
 RYAN ROGERS
 2815 WEST 3300 SOUTH
 WEST HAVEN, UT 84401
 (801) 801-731-1668
 taylorwestweberwater@msn.com

CENTRAL WEBER SEWER IMPROVEMENT DISTRICT
 LANCE WOOD
 2618 WEST PIONEER ROAD
 OGDEN, UT 84404
 (801) 731-3011
 lancew@centralweber.com

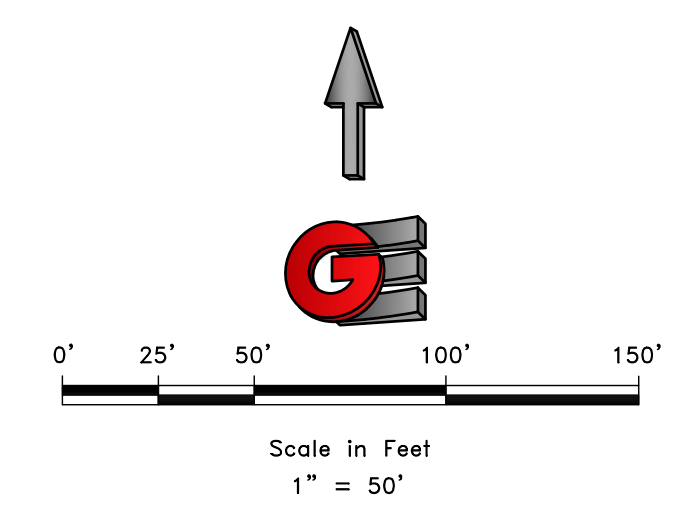
WEBER COUNTY FIRE MARSHAL
 DAVID REED
 (801) 782-3580 EXT. 205
 dreed@weberfd.com

GENERAL NOTES:

1. THE LOCATION OF EXISTING UTILITIES SHOWN ARE APPROXIMATE. THE CONTRACTOR SHALL FIELD VERIFY THE LOCATION AND ELEVATION OF ALL UTILITIES SHOWN OR NOT SHOWN ON THE PLANS.
2. FOR TYPICAL STREET IMPROVEMENTS REFER TO STREET SECTIONS AND DETAILS ON SHEET ???.
3. ALL CULINARY WATER IMPROVEMENTS AS TAYLOR - WEST WEBER WATER IMPROVEMENT DISTRICT STANDARDS. SERVICE TO BE 3/4" LATERAL AND 5/8" METERS PROVIDED BY TAYLOR - WEST WEBER WATER. REFER TO CULINARY WATER DETAILS ON SHEET DT-1.
4. ALL SANITARY SEWER IMPROVEMENTS TO CONFORM TO CENTRAL WEBER SEWER DISTRICT STANDARDS. REFER TO DETAILS ON SHEET DT-2.
5. ALL STORM SEWER IMPROVEMENTS TO CONFORM TO WEBER COUNTY STANDARDS. REFER TO DETAILS ON SHEET WEBER COUNTY PUBLIC WORKS STANDARDS SHEET 16.
6. ALL INLET GRATES SHALL BE BICYCLE SAFE TYPE COVERS. REFER TO DETAILS ON SHEET DT2.

LEGEND	
	SUBDIVISION BOUNDARY
	ROAD CENTERLINE
	EXISTING 1' CONTOUR
	EXISTING 5' CONTOUR
	FINISH GRADE 1' CONTOUR
	EXISTING SANITARY SEWER
	NEW SANITARY SEWER
	NEW SANITARY SEWER CLEAN-OUT
	NEW PRESSURE SEWER LATERAL
	EXISTING STORM DRAIN
	NEW STORM DRAIN
	EXISTING CULINARY WATER
	NEW CULINARY WATER
	NEW CULINARY WATER LATERAL
	NEW CULINARY WATER METER
	EXISTING FIRE HYDRANT
	NEW FIRE HYDRANT
	NEW STREET LIGHT
	EXISTING SECONDARY WATER
	NEW SECONDARY WATER
	NEW DUAL SECONDARY WATER LATERAL
	NEW SINGLE SECONDARY WATER LATERAL
	EXISTING EDGE OF ASPHALT
	SAWCUT LINE
	NEW ASPHALT PAVING

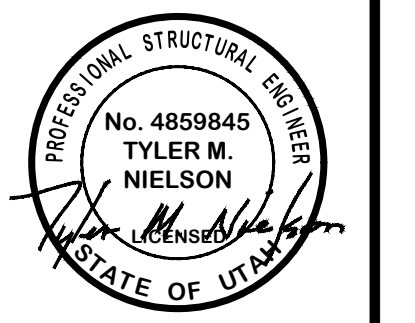
DEVELOPER:
 BLACKBURN JONES
 CARSON JONES
 909 24TH ST
 OGDEN
 801-914-2018



SCALE: 1" = 50'

DATE	9/24/2020
DESIGN	BSD
DRAWN	BSD
CHECKED	TUN

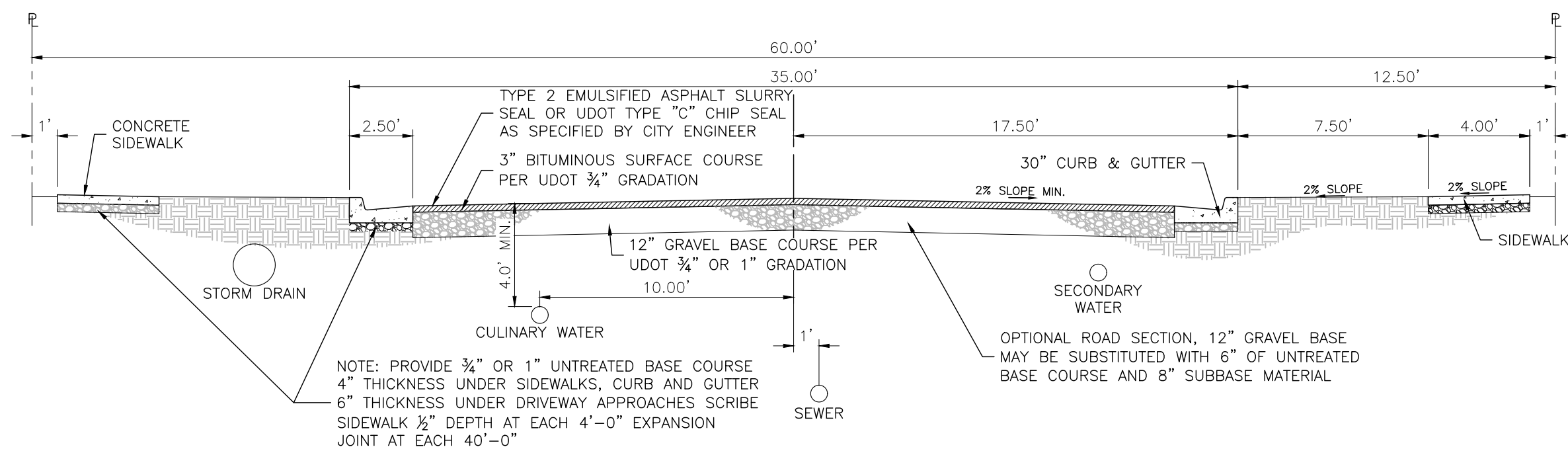
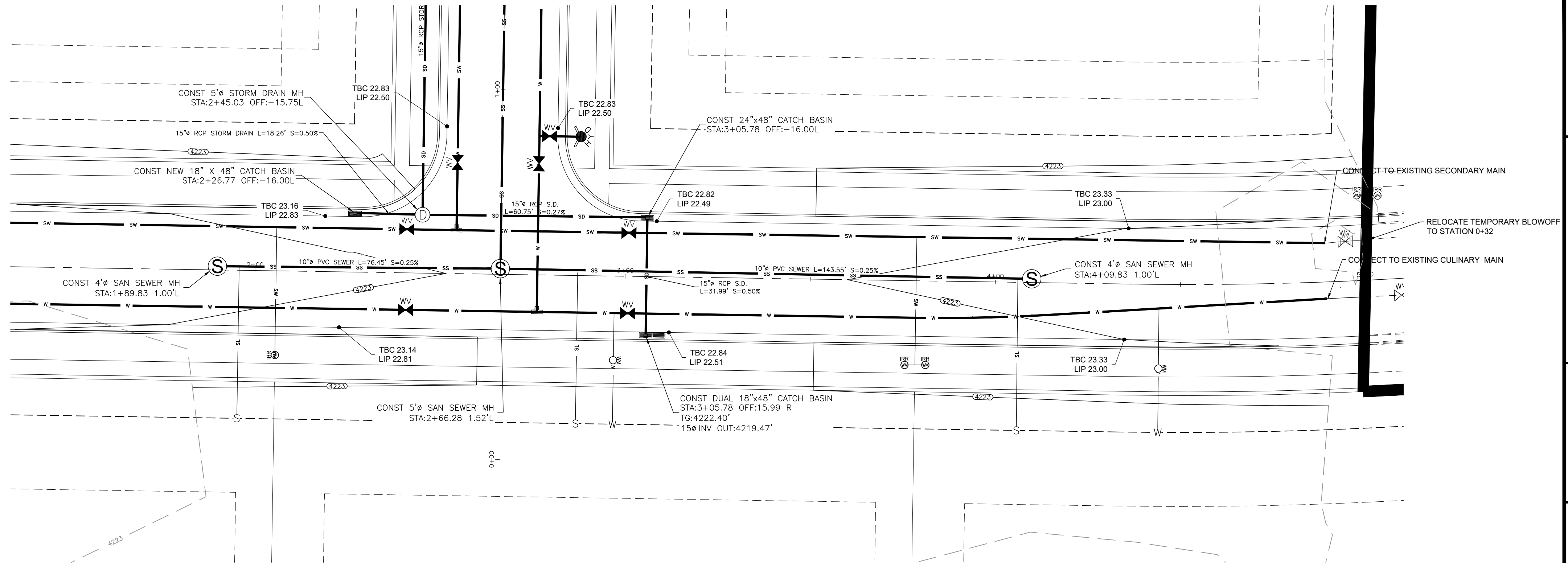
REVISIONS	DESCRIPTION
DATE	



OVERALL UTILITY PLAN
 SUNCREST MEADOWS SUBDIVISION - PH3
 2550 SOUTH 4950 WEST
 WEBER COUNTY, UTAH

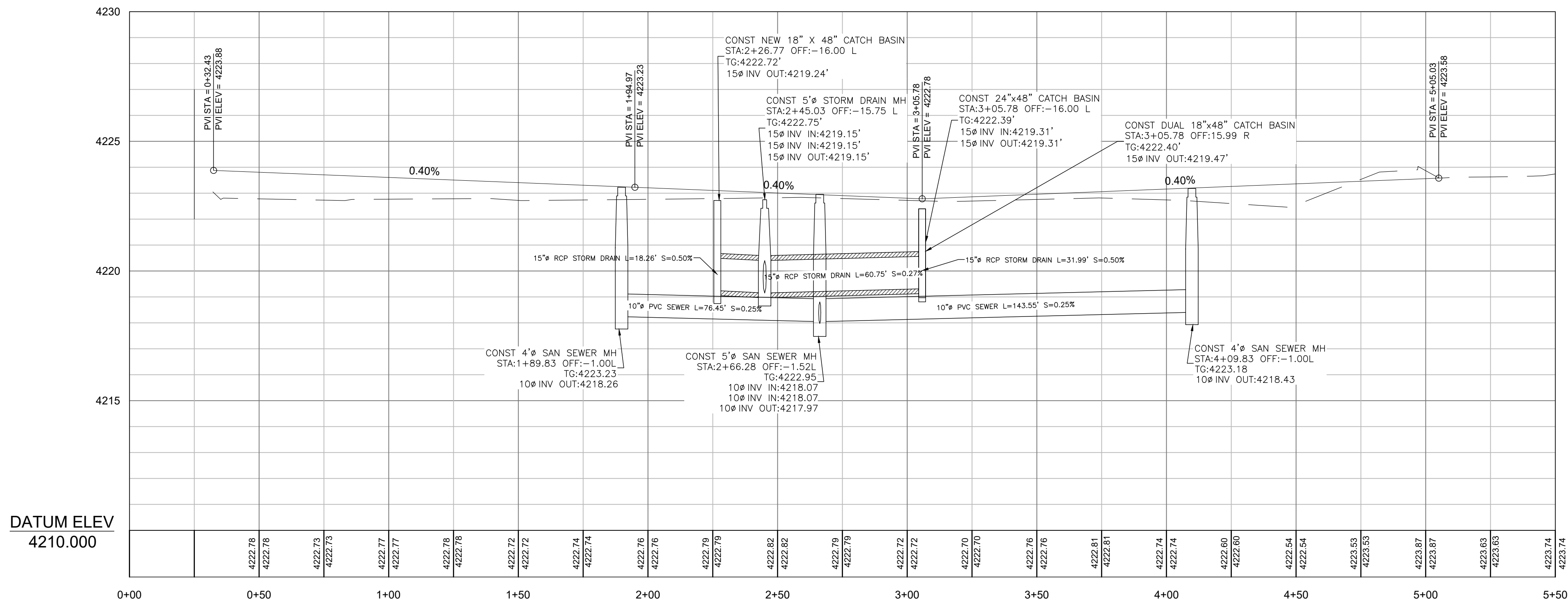
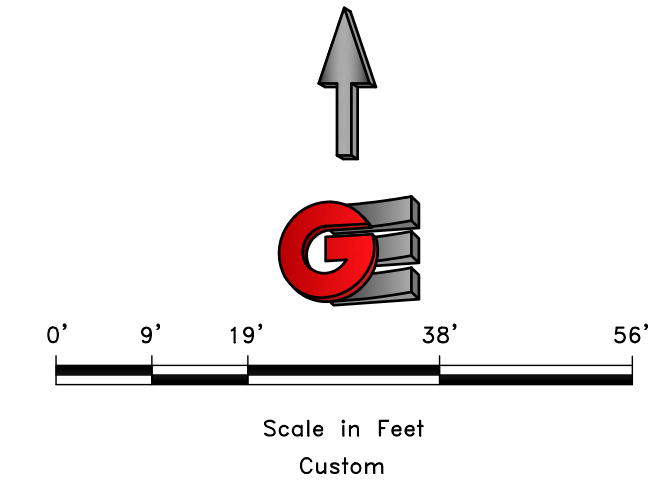
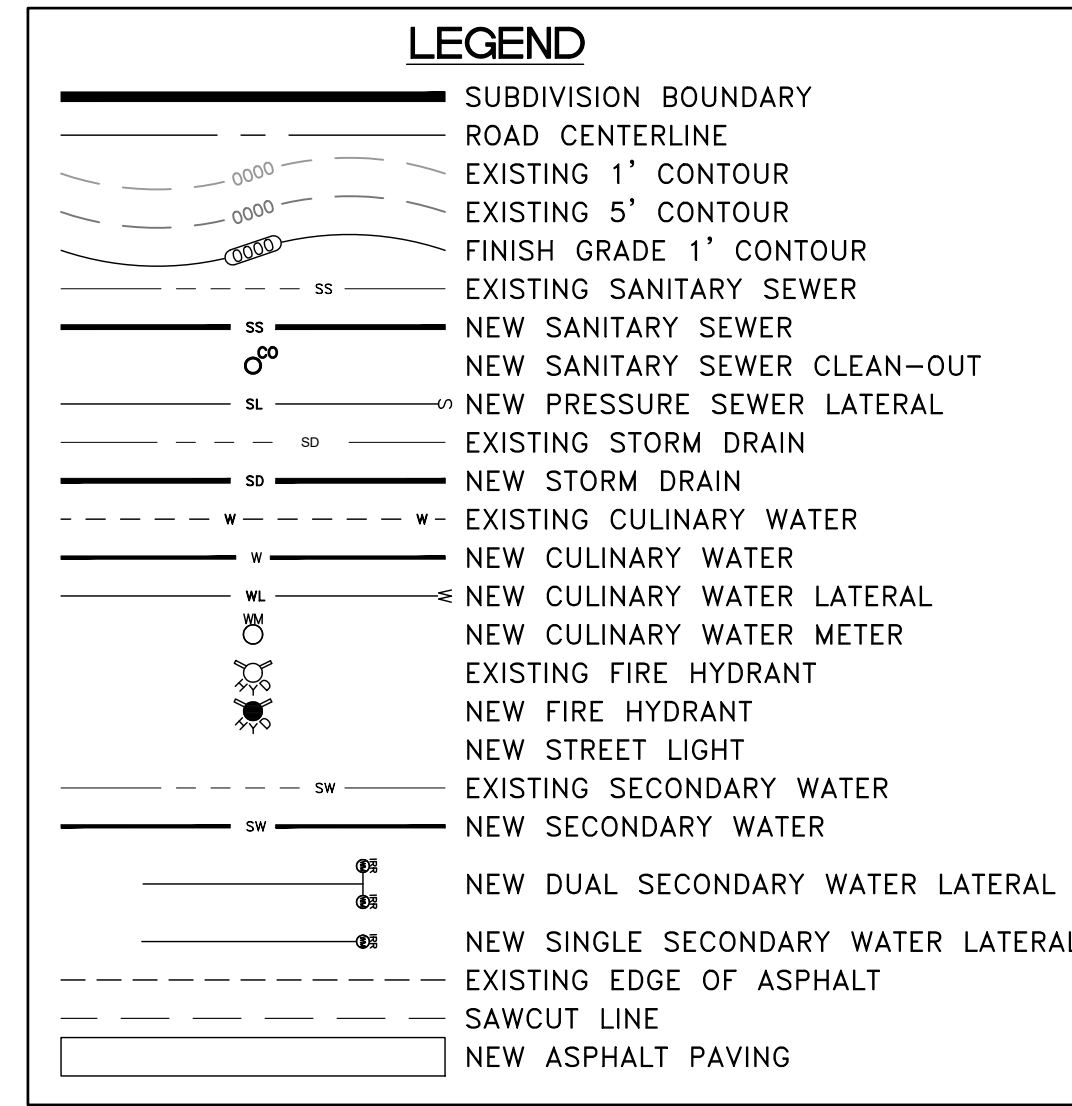
GARDNER ENGINEERING
 CIVIL - LAND PLANNING
 MUNICIPAL - LAND SURVEYING
 5150 SOUTH 375 EAST OGDEN, UT
 OFFICE: 801.476.0202 FAX: 801.476.0066

C2

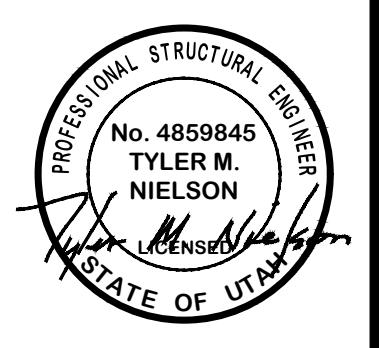


GENERAL NOTES:

1. THE LOCATION OF EXISTING UTILITIES SHOWN ARE APPROXIMATE. THE CONTRACTOR SHALL FIELD VERIFY THE LOCATION AND ELEVATION OF ALL UTILITIES SHOWN OR NOT SHOWN ON THE PLANS.
2. FOR TYPICAL STREET IMPROVEMENTS REFER TO STREET SECTIONS AND DETAILS ON SHEET ????
3. ALL CULINARY WATER IMPROVEMENTS AS TAYLOR - WEST WEBER WATER IMPROVEMENT DISTRICT STANDARDS. SERVICE TO BE 3/4" LATERAL AND 5/8" METERS PROVIDED BY TAYLOR - WEST WEBER WATER. REFER TO CULINARY WATER DETAILS ON SHEET DT-1.
4. ALL SANITARY SEWER IMPROVEMENTS TO CONFORM TO CENTRAL WEBER SEWER DISTRICT STANDARDS. REFER TO DETAILS ON SHEET DT-2.
5. ALL STORM SEWER IMPROVEMENTS TO CONFORM TO WEBER COUNTY STANDARDS. REFER TO DETAILS ON SHEET WEBER COUNTY PUBLIC WORKS STANDARDS SHEET 16.
6. ALL INLET GRATES SHALL BE BICYCLE SAFE TYPE COVERS. REFER TO DETAILS ON SHEET DT2.



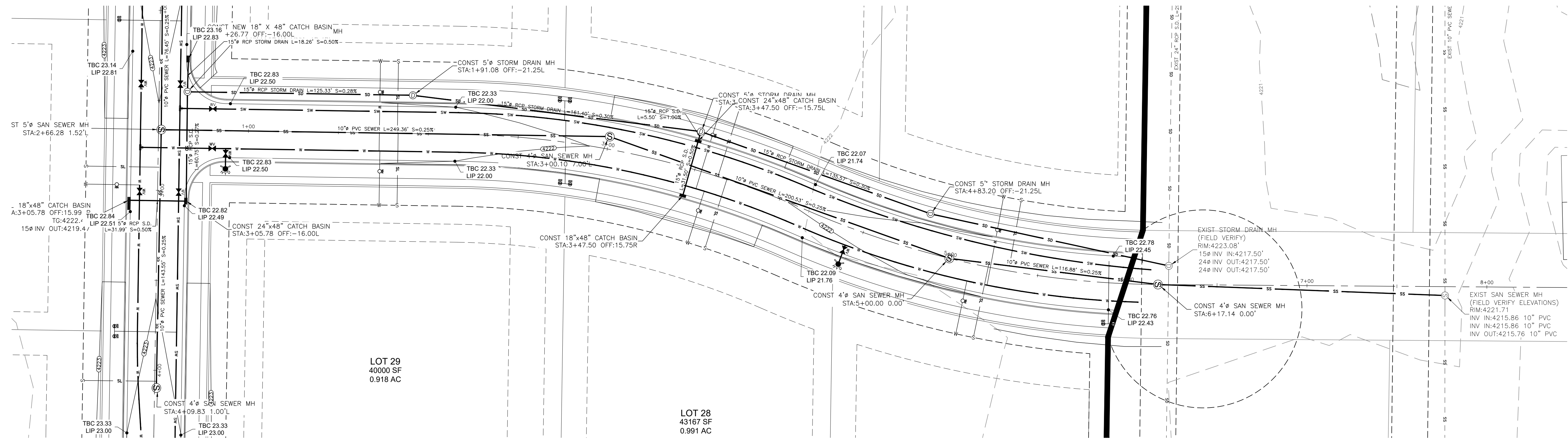
SCALE	Custom
DATE	9/24/2020
DESIGN	BSD
DRAWN	BSD
CHECKED	TWN



2700 SOUTH PLAN AND PROFILE
 SUNCREST MEADOWS SUBDIVISION - PH3
 2550 SOUTH 4950 WEST
 WEBER COUNTY, UTAH

GARDNER ENGINEERING
 CIVIL - LAND PLANNING
 MUNICIPAL - LAND SURVEYING
 5150 SOUTH 375 EAST OGDEN, UT
 OFFICE: 801.476.0202 FAX: 801.476.0066

PP1

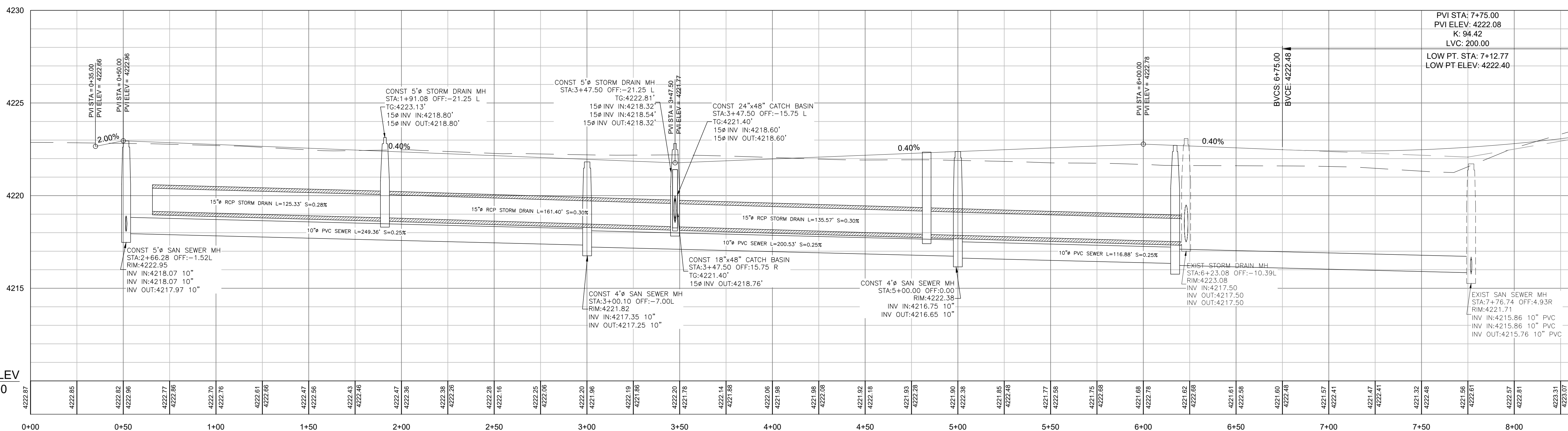
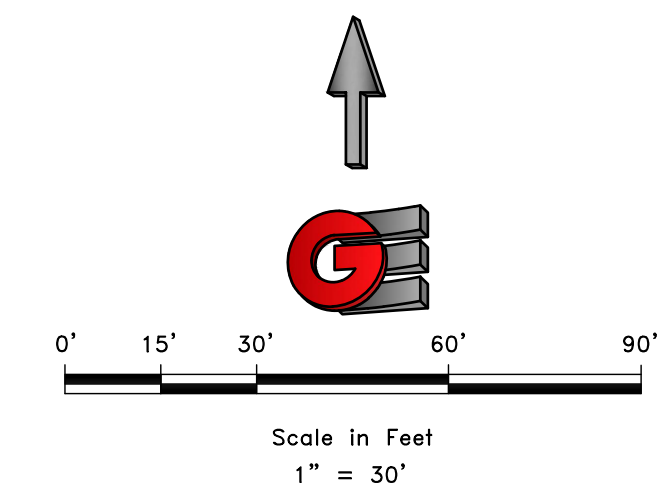
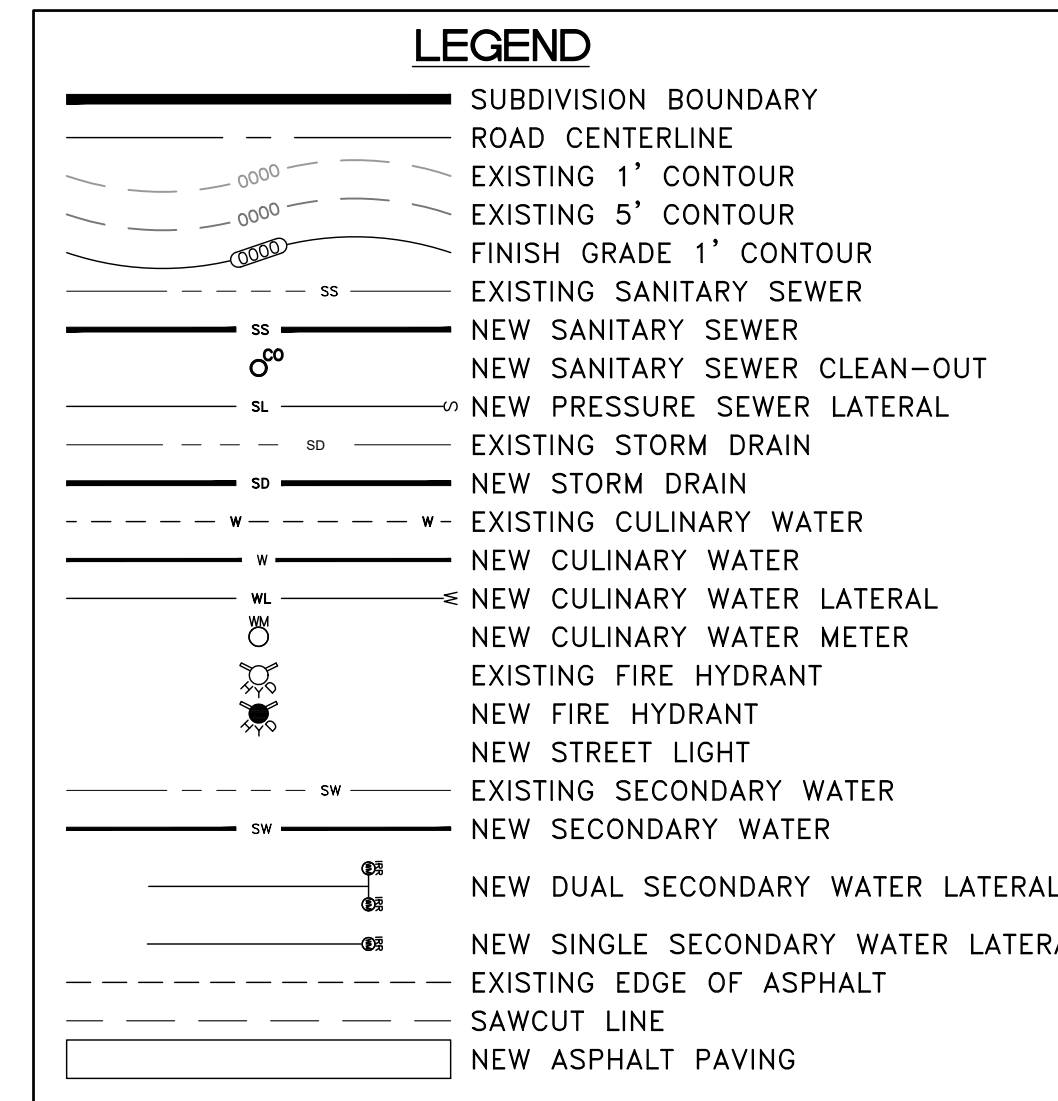


LOT 29
40000 SF
0.918 AC

LOT 28
43167 SF
0.991 AC

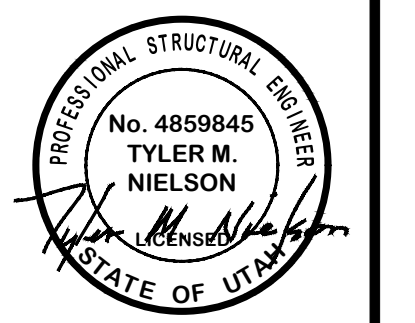
GENERAL NOTES:

1. THE LOCATION OF EXISTING UTILITIES SHOWN ARE APPROXIMATE. THE CONTRACTOR SHALL FIELD VERIFY THE LOCATION AND ELEVATION OF ALL UTILITIES SHOWN OR NOT SHOWN ON THE PLANS.
2. FOR TYPICAL STREET IMPROVEMENTS REFER TO STREET SECTIONS AND DETAILS ON SHEET ???.
3. ALL CULINARY WATER IMPROVEMENTS AS TAYLOR - WEST WEBER WATER IMPROVEMENT DISTRICT STANDARDS. SERVICE TO BE 3/4" LATERAL AND 5/8" METERS PROVIDED BY TAYLOR - WEST WEBER WATER. REFER TO CULINARY WATER DETAILS ON SHEET DT-1.
4. ALL SANITARY SEWER IMPROVEMENTS TO CONFORM TO CENTRAL WEBER SEWER DISTRICT STANDARDS. REFER TO DETAILS ON SHEET DT-2.
5. ALL STORM SEWER IMPROVEMENTS TO CONFORM TO WEBER COUNTY STANDARDS. REFER TO DETAILS ON SHEET WEBER COUNTY PUBLIC WORKS STANDARDS SHEET 16.
6. ALL INLET GRATES SHALL BE BICYCLE SAFE TYPE COVERS. REFER TO DETAILS ON SHEET DT2.



SCALE	T - 30'
DATE	9/24/2020
DESIGN	BSD
DRAWN	BSD
CHECKED	TWN

REVISIONS	DESCRIPTION
DATE	



4950 WEST PLAN AND PROFILE
SUNCREST MEADOWS SUBDIVISION - PH3
2550 SOUTH 4950 WEST
WEBER COUNTY, UTAH

GARDNER ENGINEERING
 CIVIL - LAND PLANNING
 MUNICIPAL - LAND SURVEYING
 5150 SOUTH 375 EAST OGDEN, UT
 OFFICE: 801.476.0202 FAX: 801.476.0066

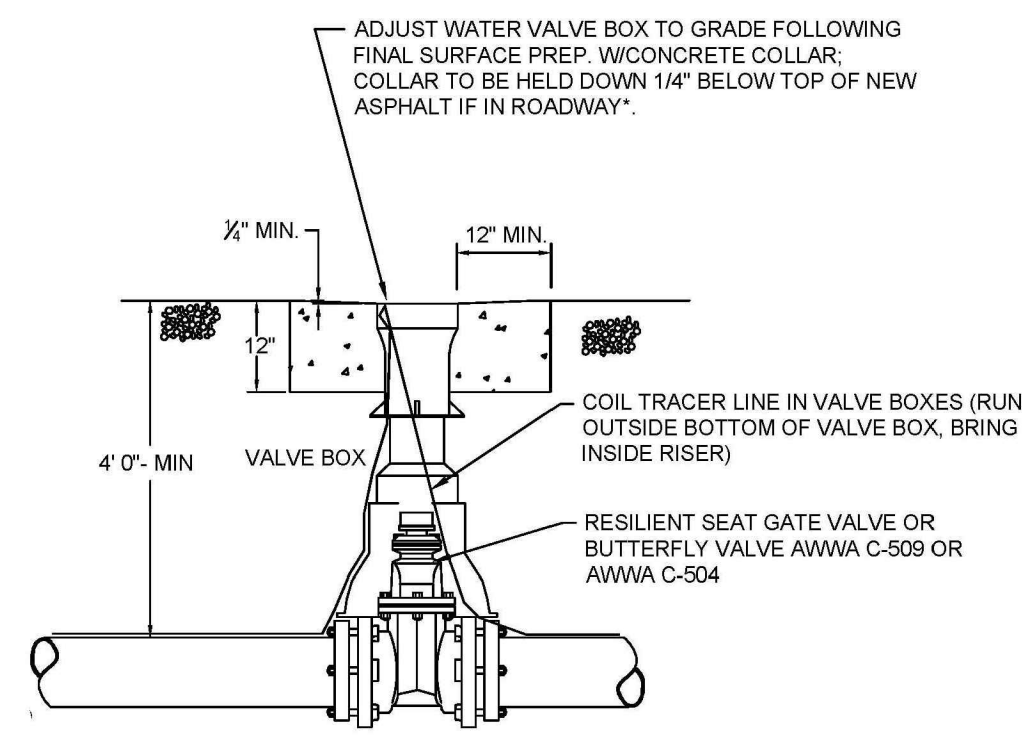
PP2

TABLE OF BEARING AREAS IN SQ. FT FOR CONCRETE THRUST BLOCKING

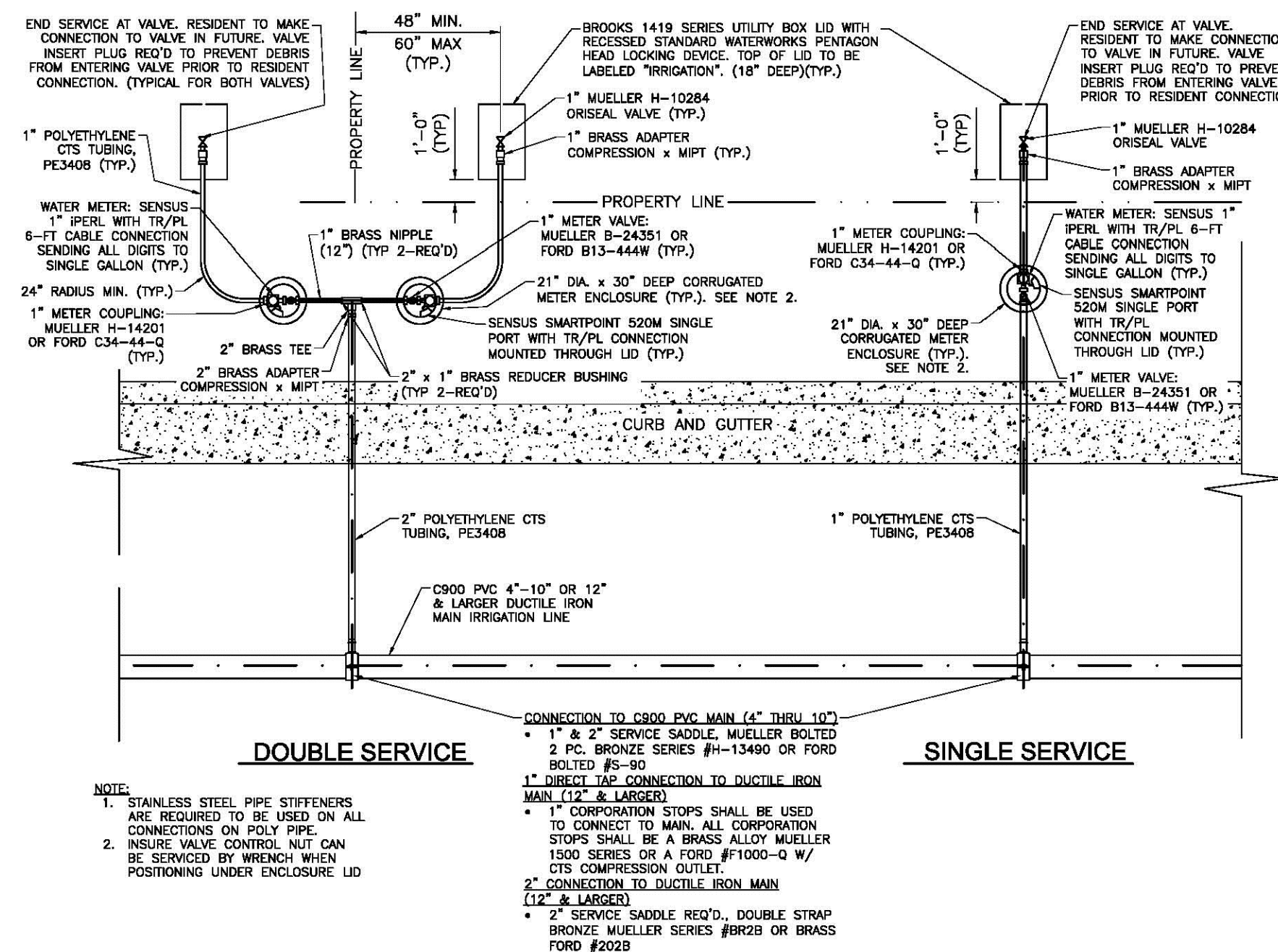
SIZE	BENDS				TEES*	GATE VALVES	DEAD ENDS	CROSSES/IRMS/PLUGGED	CROSSES/IRMS/PLUGGED
	90°	45°	22 1/2°	11 1/4°					
3	1.0	0.0	0.0	0	0.7	0.5	0.7	0.7	0.7
4	1.8	1.0	0.5	0	1.5	0.5	1.5	1.5	1.5
6	4.0	2.2	1.1	0	2.8	0.7	2.8	2.8	2.8
8	7.1	3.8	2.0	1.0	5.0	2.4	5.0	5.0	5.0
10	11.1	6.0	3.0	1.5	7.8	4.5	7.8	7.8	7.8
12	16.0	8.6	4.4	2.2	11.5	7.3	11.5	11.5	11.5
14	21.7	11.8	6.0	3.0	15.4	11.0	15.4	15.4	15.4
15	25.0	13.5	7.0	3.5	17.6	12.7	17.6	17.6	17.6
16	28.4	15.3	8.0	4.0	20.0	14.4	20.0	20.0	20.0
18	36.0	19.4	10.0	5.0	25.4	18.4	25.4	25.4	25.4
20	44.2	24.0	12.2	6.1	31.4	23.4	31.4	31.4	31.4
21	49.0	26.5	13.5	6.8	34.6	26.0	34.6	34.6	34.6
22	54.0	29.0	14.8	7.4	38.0	28.8	38.0	38.0	38.0
24	64.0	34.5	17.7	8.8	45.0	35.4	45.0	45.0	45.0
30	100.0	54.0	27.6	13.8	71.0	54.0	71.0	71.0	71.0
36	144.0	78.0	40.0	20.0	102.0	78.0	102.0	102.0	102.0

*FOR 100 P.S.I. INTERNAL STATIC PRESSURE AND 1000 LBS. PER SQ. FT. SOIL BEARING CAPACITY.

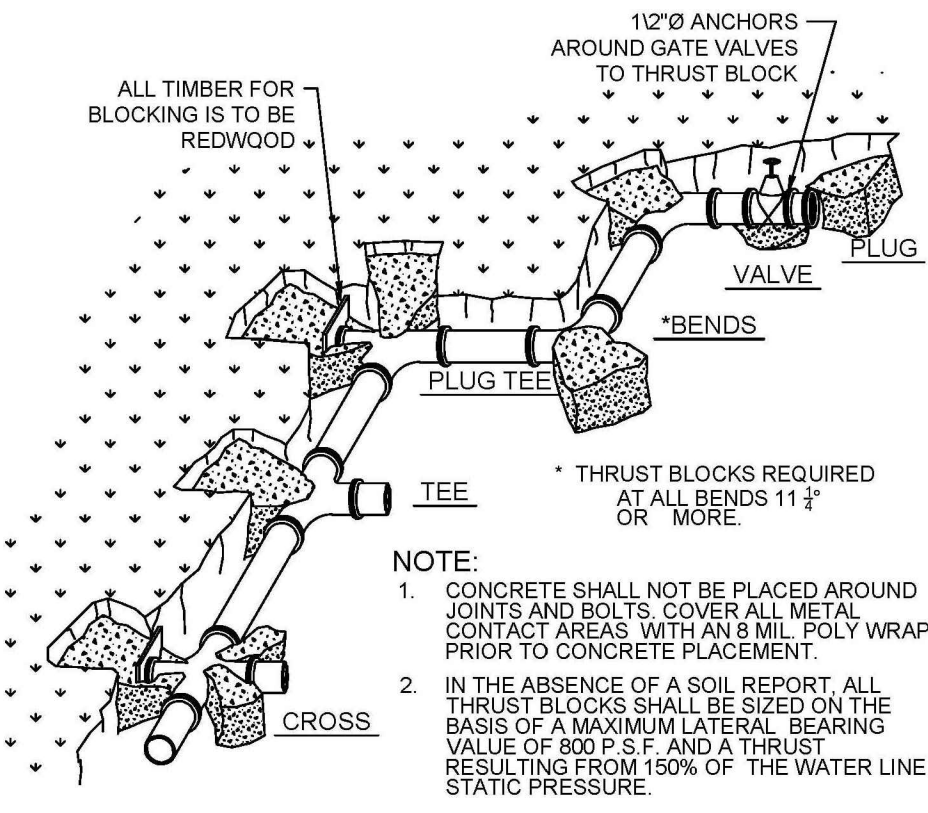
1 TYPICAL THRUST BLOCK DETAIL Scale: NTS



4 TYPICAL WATER VALVE DETAIL Scale: NTS



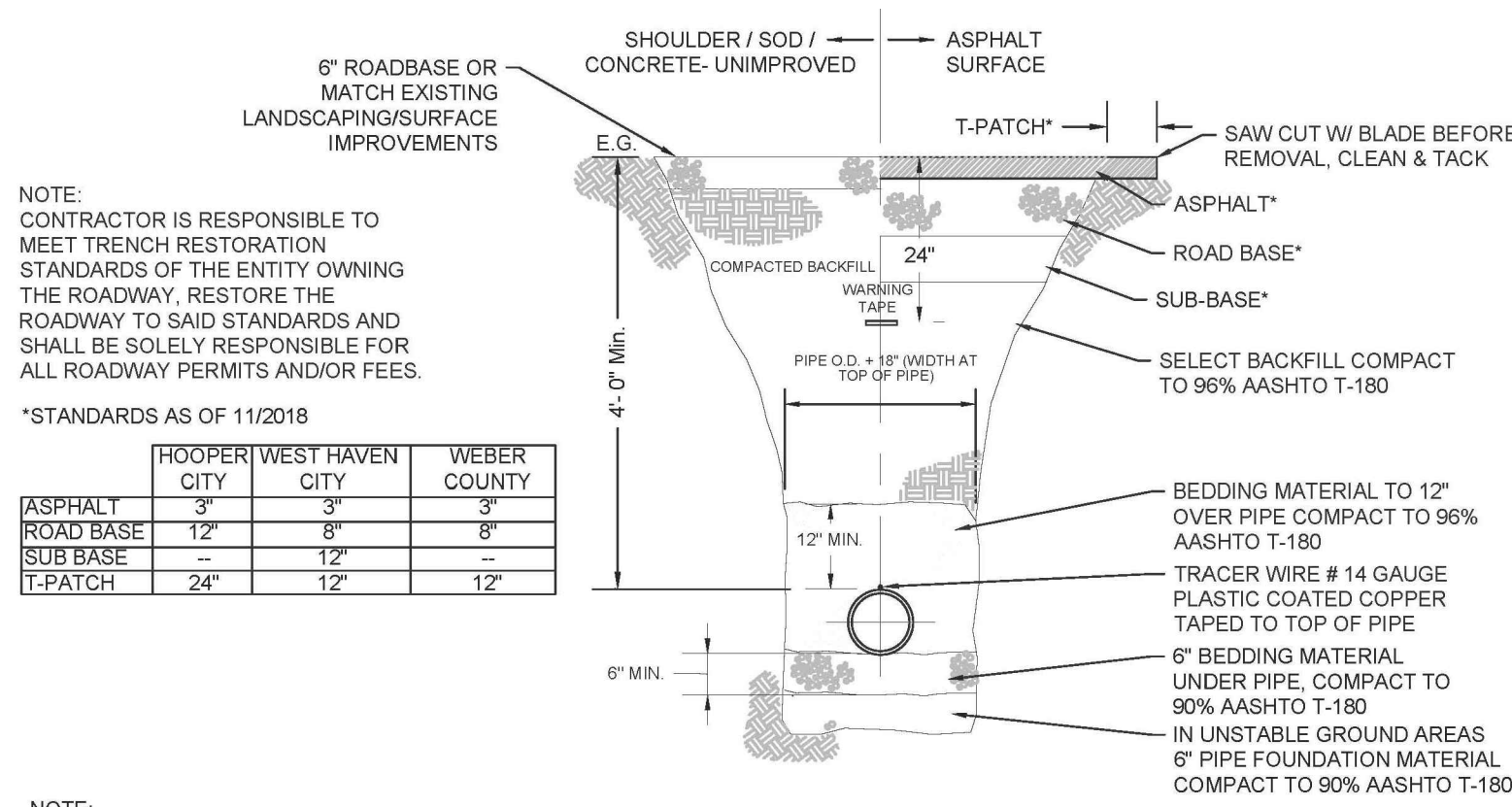
7 TYPICAL SECONDARY WATER SERVICE DETAIL Scale: NTS



NOTE:
1. CONCRETE SHALL NOT BE PLACED AROUND JOINTS AND BOLTS. COVER ALL METAL CONTACT AREAS WITH AN 8 MIL POLY WRAP PRIOR TO CONCRETE PLACEMENT.
2. IN THE ABSENCE OF A SOIL REPORT, ALL THRUST BLOCKS SHALL BE SIZED ON THE BASIS OF A MAXIMUM LATERAL BEARING VALUE OF 800 P.S.F. AND A THRUST RESULTING FROM 150% OF THE WATER LINE STATIC PRESSURE.

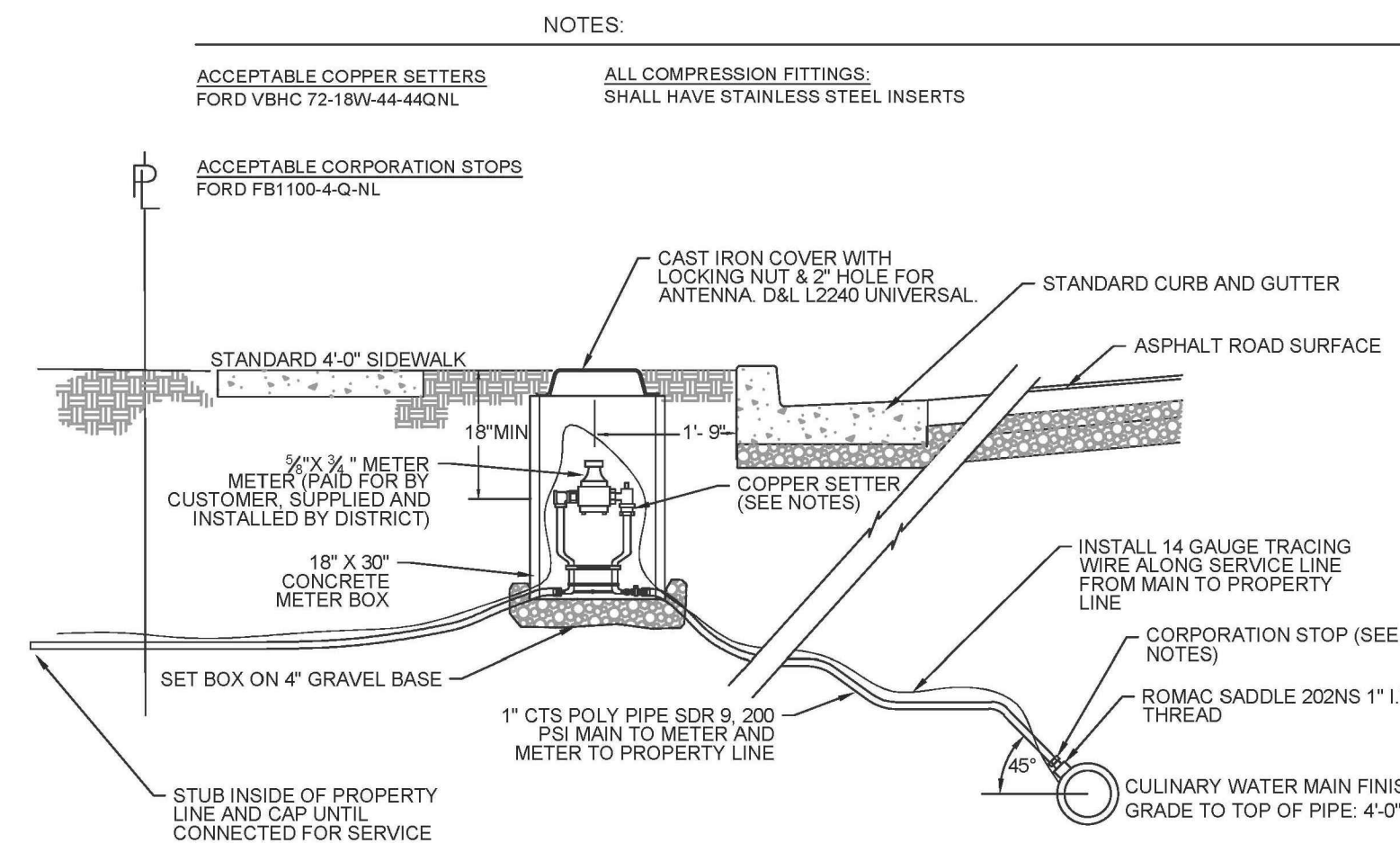
*ALL VALVES, TEES, CROSSES AND BENDS SHALL ALSO BE FITTED WITH MECHANICAL RESTRAINTS, SUCH AS MEGA LUG OR ROMA GRIP WITH FLUOROPOLYMER COATED BOLTS AND NUTS.
AREAS GIVEN IN TABLE ARE BASED UPON AN INTERNAL STATIC PRESSURE OF 100 P.S.I. AND A SOIL BEARING CAPACITY OF 1000 LBS PER SQ. FT. BEARING AREAS FOR ANY PRESSURE AND SOIL BEARING CAPACITY MAY BE OBTAINED BY MULTIPLYING THE TABULATED VALUES BY A CORRECTION FACTOR "F".
F = ACTUAL SPECIFIED TEST PRESSURE IN HUNDREDS OF LBS/SQ. IN / ACTUAL SOIL BEARING CAPACITY IN THOUSANDS OF LBS.

EXAMPLE: TO FIND BEARING AREA FOR 8" 90° BEND WITH A STATIC INTERNAL PRESSURE OF 150 P.S.I. AND WITH A SOIL BEARING CAPACITY OF 3000 LBS. PER SQ. FT.
F = 1.5 / 3 = 0.5
TABULATED VALUE = 7.1 SQ. FT.
0.5 X 7.1 = 3.55 = 4 SQ. FT. (←OR 2FT. LONG BY 2FT. HIGH)

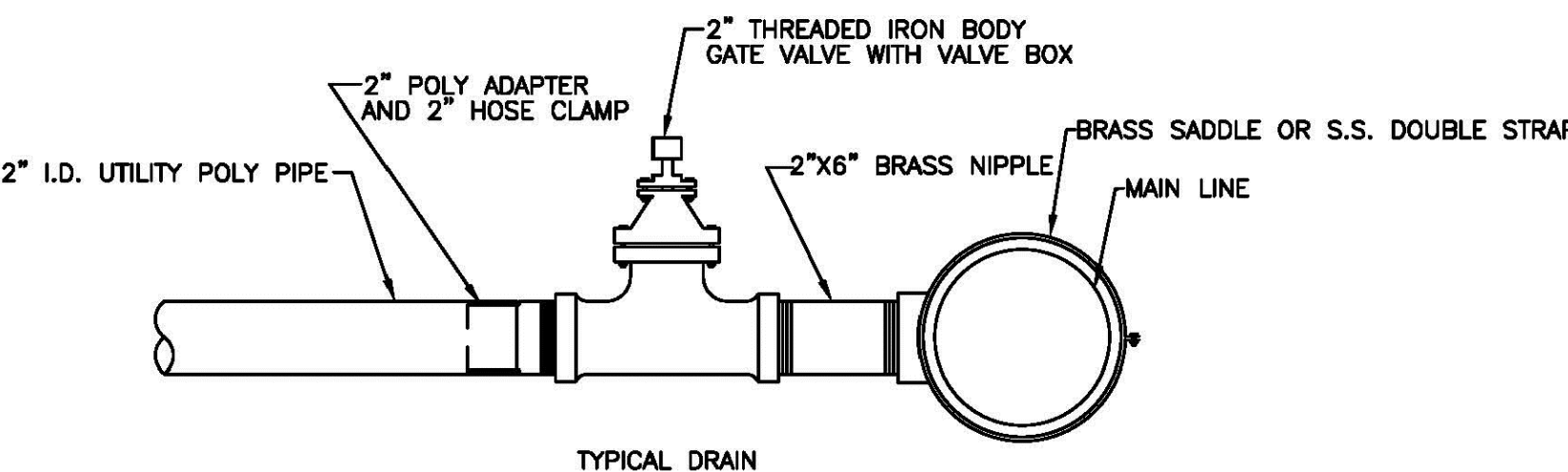


NOTE:
CONTRACTOR IS RESPONSIBLE TO MEET TRENCH RESTORATION STANDARDS OF THE ENTITY OWNING THE ROADWAY. RESTORE THE ROADWAY TO SAID STANDARDS AND SHALL BE SOLELY RESPONSIBLE FOR ALL ROADWAY PERMITS AND/OR FEES.
*STANDARDS AS OF 11/2018

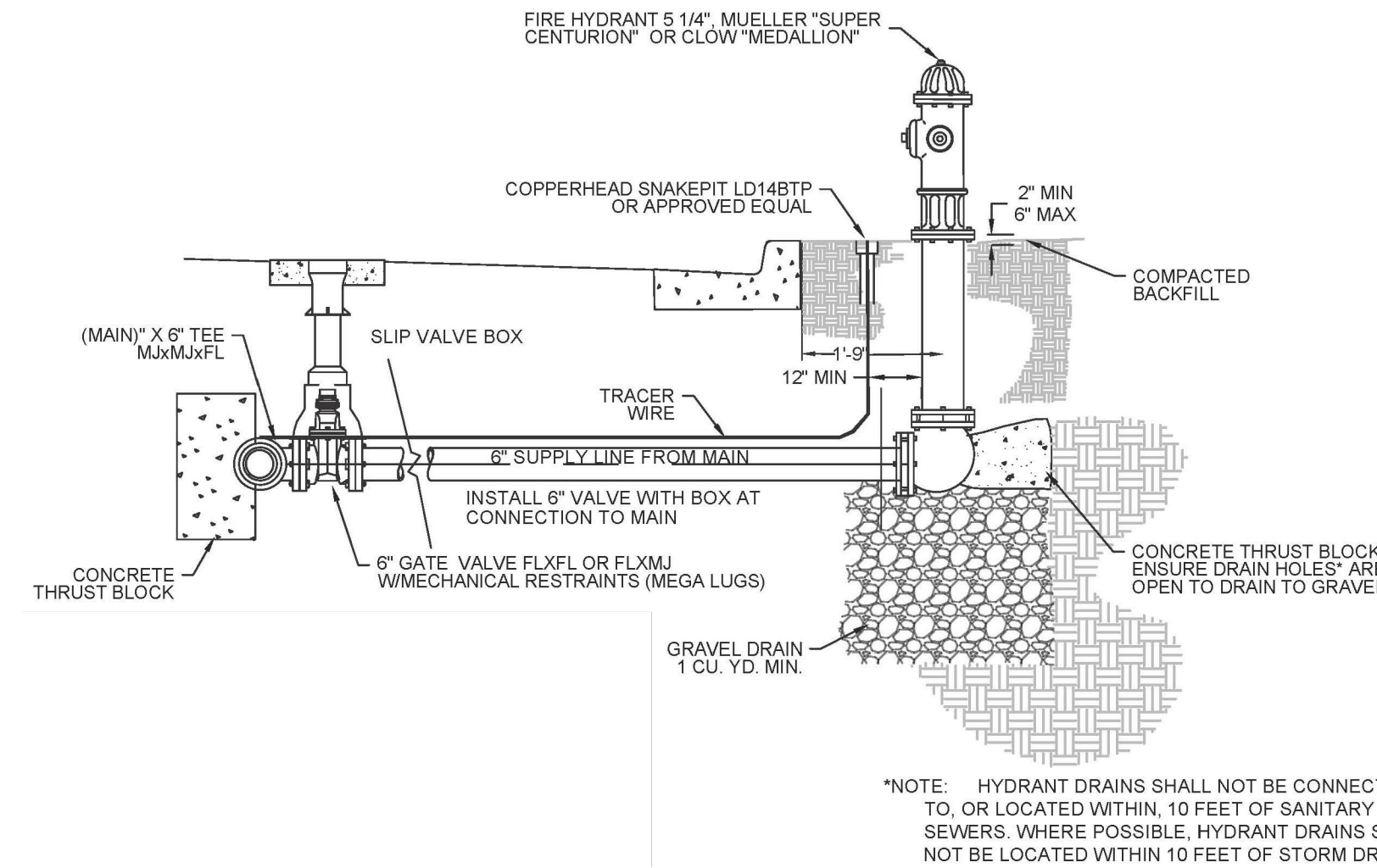
2 TYPICAL TRENCH SECTION Scale: NTS



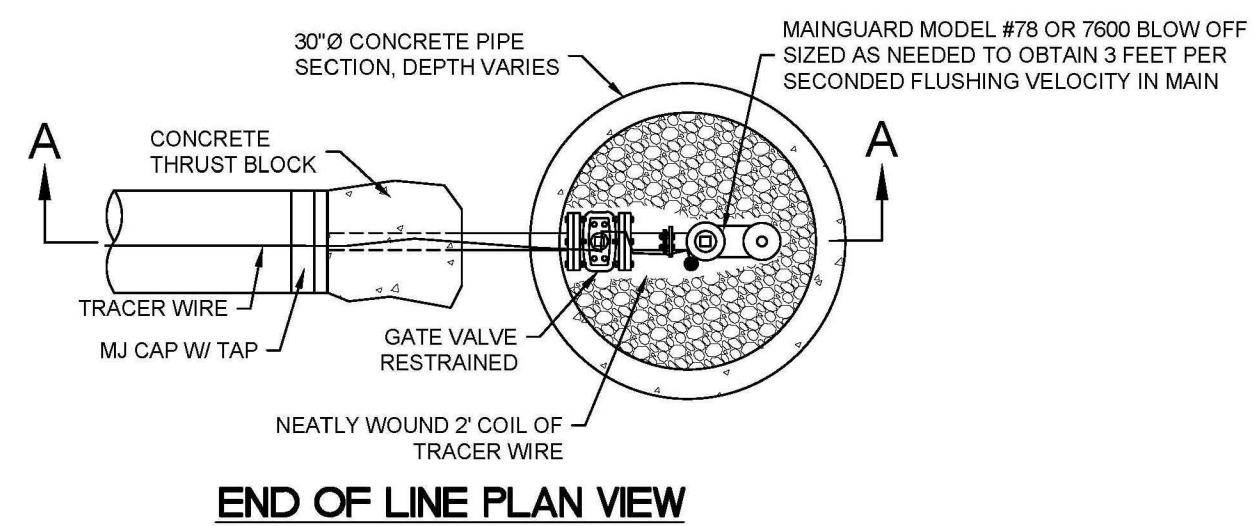
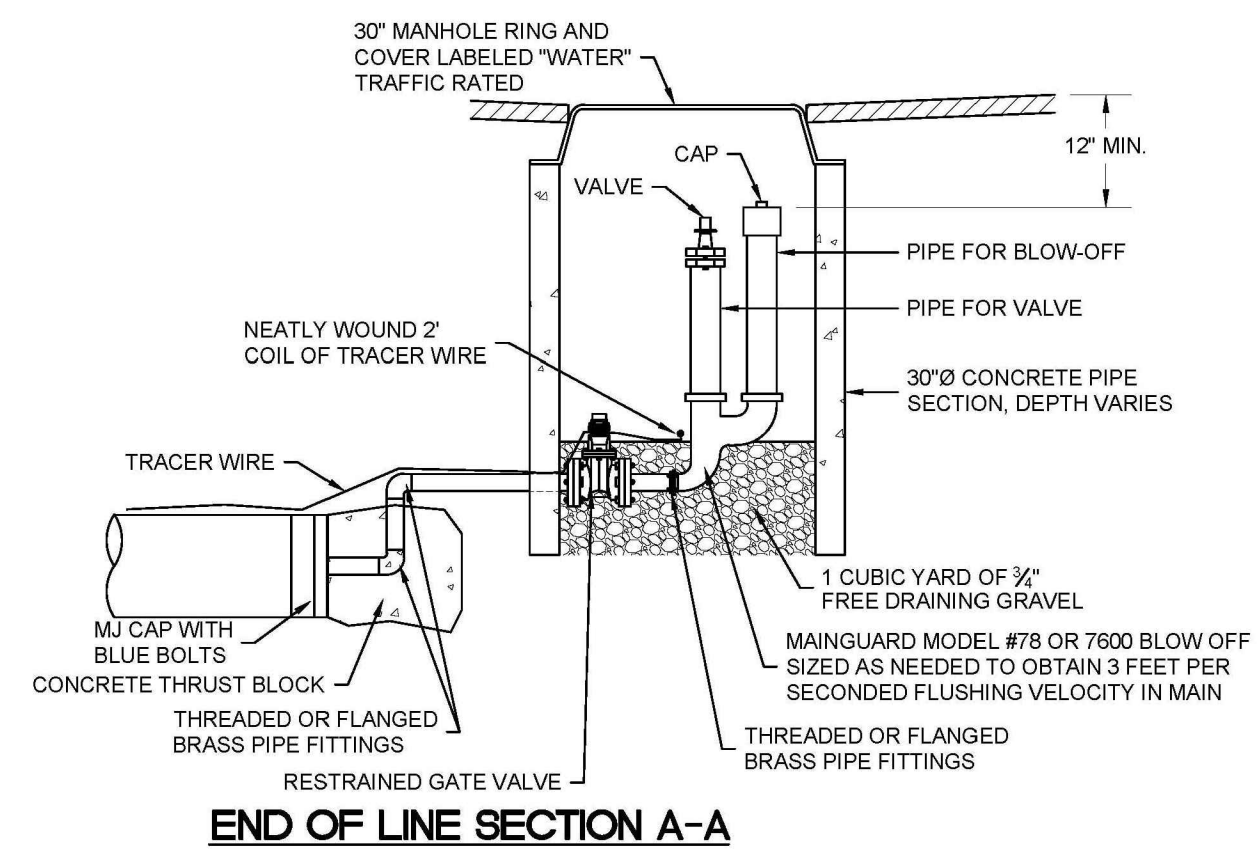
5 TYPICAL CULINARY WATER SERVICE LATERAL DETAIL Scale: NTS



8 TYPICAL SECONDARY DRAIN DETAIL Scale: NTS

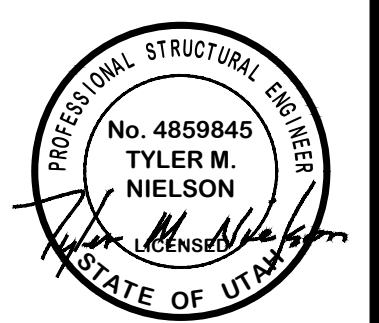


3 TYPICAL FIRE HYDRANT DETAIL Scale: NTS



6 TYPICAL BLOW-OFF DETAIL Scale: NTS

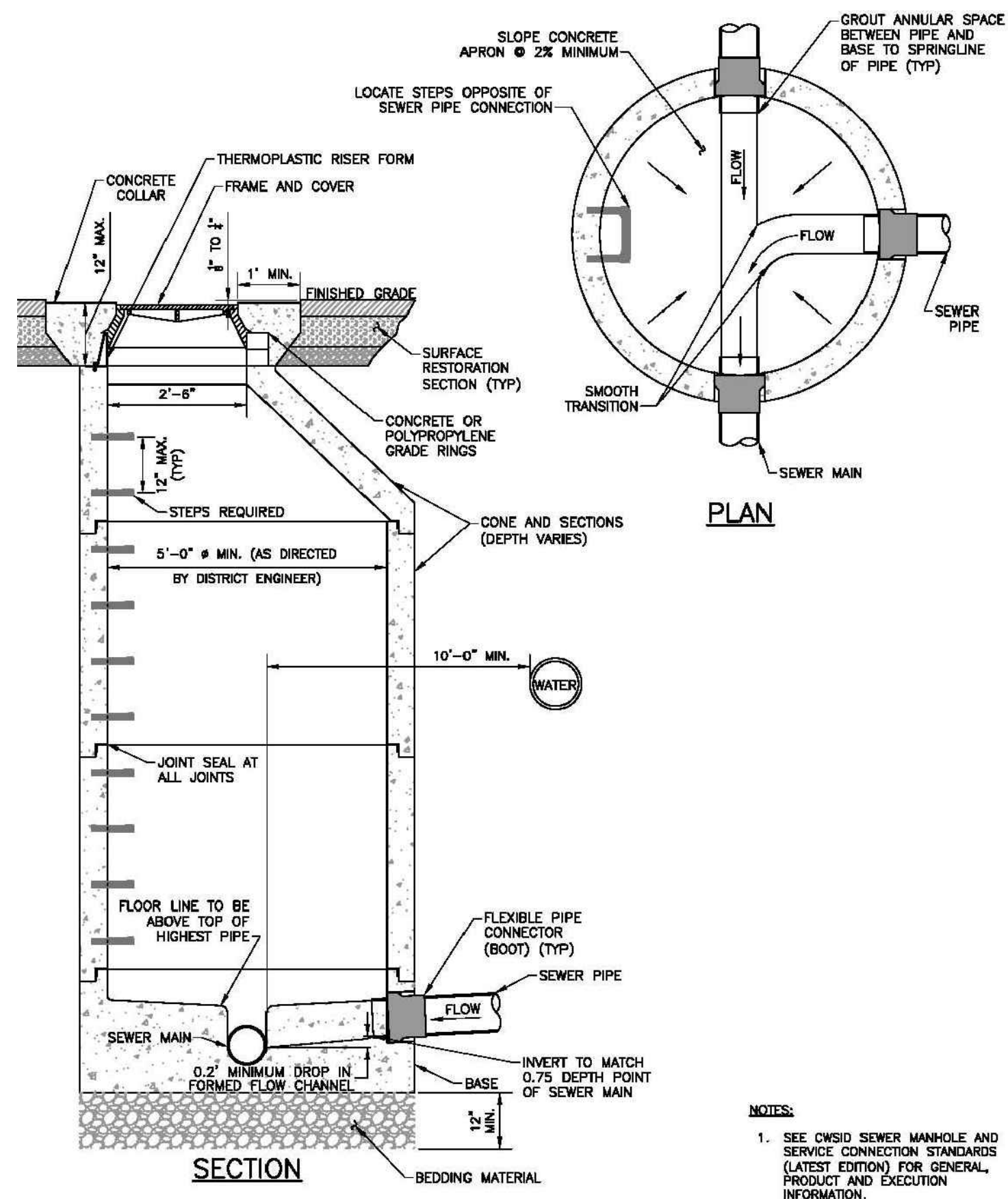
SCALE (AS NOTED)	DATE	DESIGN	DRAWN	CHECKED
AS NOTED	9/24/2020	BSD	BSD	TUN



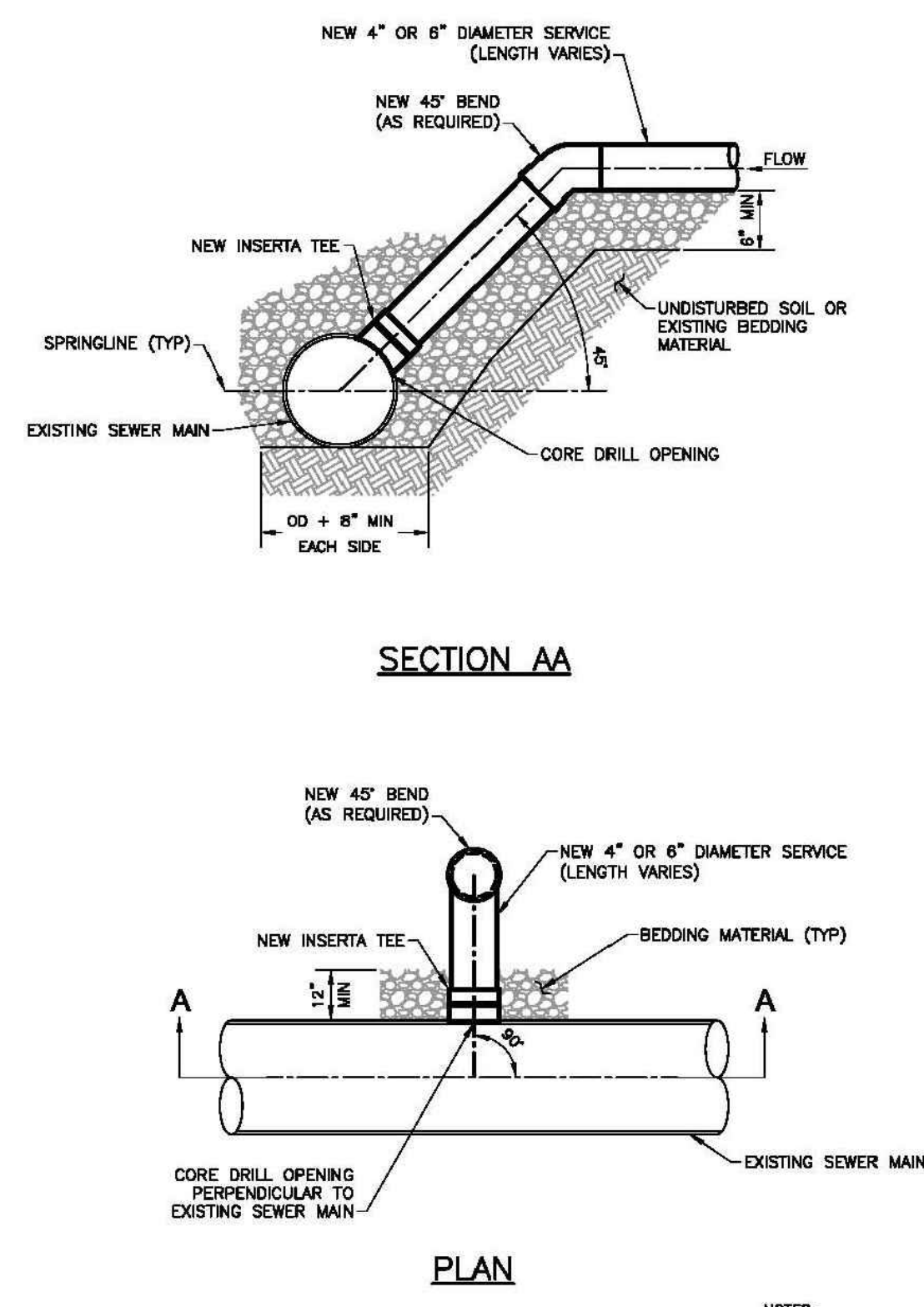
TYPICAL CULINARY AND IRRIGATION WATER DETAILS
SUNCREST MEADOWS SUBDIVISION - PH3
2550 SOUTH 4950 WEST
WEBER COUNTY, UTAH

GARDNER ENGINEERING
CIVIL - LAND PLANNING
MUNICIPAL - LAND SURVEYING
5150 SOUTH 375 EAST OGDEN, UT
OFFICE: 801.476.0202 FAX: 801.476.0066

DT1

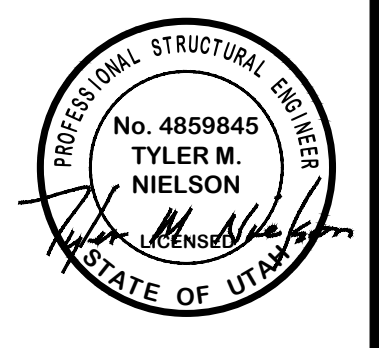


1 TYPICAL SANITARY SEWER DETAIL
Scale: NTS



2 TYPICAL SANITARY SERVICE LATERAL DETAIL
Scale: NTS

SCALE (AS NOTED)	DATE 9/24/2020
DESIGN BSD	DRAWN BSD
CHECKED TUN	



TYPICAL SANITARY SEWER DETAILS
SUNCREST MEADOWS SUBDIVISION - PH3
2550 SOUTH 4950 WEST
WEBER COUNTY, UTAH

GARDNER ENGINEERING
CIVIL - LAND PLANNING
MUNICIPAL - LAND SURVEYING
5150 SOUTH 375 EAST OGDEN, UT
OFFICE: 801.476.0202 FAX: 801.476.0066

DT2