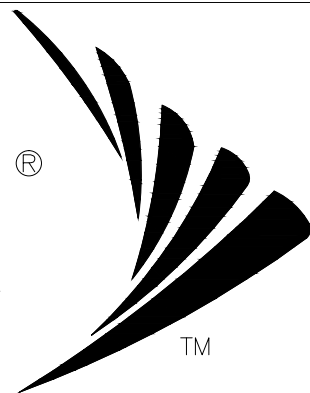


Sprint®



CALL BLUE STAKES OF UTAH
ONE CALL CALL 811
CALL 3 WORKING DAYS BEFORE YOU DIG
811 OR 1-800-662-4111
BLUESTAKES.COM

THESE CONSTRUCTION DOCUMENTS
HAVE BEEN PREPARED USING SITE
INFORMATION PROVIDED BY OTHERS.

NETWORK VISION MMBS LAUNCH KWIK CITY MUFFLER

SL03XC136

CROWN CASTLE BU# 880534

2449 WEST 4000 SOUTH

ROY, UT 84067

WEBER COUNTY

LATITUDE: 41.1896° / 41° 11' 22.4" (NAD 83) (GPS READING)
LONGITUDE: -112.0392° / -112° 2' 21.0" (NAD 83) (GPS READING)

132'-0" TOP OF MONOPOLE
RMR MARKET

PREPARED FOR:

Sprint®

SAMSUNG

1301 EAST LOOKOUT DRIVE
RICHARDSON, TX 75082-4124

GENERAL DYNAMICS
WIRELESS SERVICES

1	03-22-13	100% CONSTRUCTION DRAWINGS	JM	JR
0	03-19-13	100% CONSTRUCTION DRAWINGS	JM	JR
A	12-17-12	90% CONSTRUCTION DRAWINGS	MM	JR
REV.	DATE	REVISION DESCRIPTION	DRAWN BY	CHKD. BY

CONSULTANT:



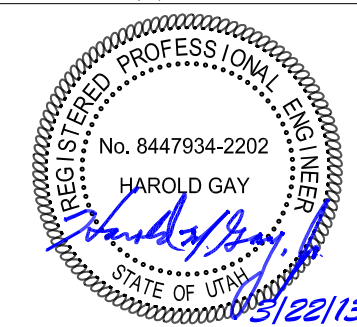
960 WEST ELLIOT ROAD
SUITE 116
TEMPE, AZ 85284



CONSULTANT:



215 WEST MAIN STREET
MESQUITE, TX 75149
PHONE #: 972.290.0716



NETWORK VISION MMBS LAUNCH
KWIK CITY MUFFLER
SL03XC136
CROWN CASTLE BU# 880534
2449 WEST 4000 SOUTH
ROY, UT 84067
WEBER COUNTY

DRAWN BY:	CHECKED BY:	DATE:
MM	JR	12-17-12

SHEET TITLE:
TITLE SHEET

SHEET NUMBER:
T-1

REV.:
1

ALL WORK AND MATERIALS SHALL BE PERFORMED AND INSTALLED IN ACCORDANCE WITH THE CURRENT EDITIONS OF THE FOLLOWING CODES AS ADOPTED BY THE LOCAL GOVERNING AUTHORITIES. NOTHING IN THESE PLANS IS TO BE CONSTRUCTED TO PERMIT WORK NOT CONFORMING TO THESE CODES.

ROY CITY INTERNATIONAL BUILDING CODE IBC 2009 INCLUDING APPENDIX J
INTERNATIONAL MECHANICAL CODE IMC 2009
NATIONAL ELECTRICAL CODE NEC 2011
FIRE/LIFE SAFETY CODE IFC 2009
INTERNATIONAL PLUMBING CODE IPC 2009

ACCESSIBILITY REQUIREMENTS:
FACILITY IS UNMANNED AND NOT FOR HUMAN HABITATION. HANDICAPPED ACCESS REQUIREMENTS ARE NOT REQUIRED IN ACCORDANCE WITH THE 2009 IBC BUILDING CODE.

CODE BLOCK

SPRINT PROPOSES TO MODIFY AN EXISTING UNMANNED TELECOMMUNICATIONS FACILITY

- REMOVE (6) EXISTING PANEL ANTENNAS (2 PER SECTOR)
- INSTALL (3) NEW PANEL ANTENNAS (1 PER SECTOR)
- REMOVE (2) EQUIPMENT CABINETS
- INSTALL (1) NEW MMBS CABINET
- INSTALL (1) NEW BBU CABINET
- REMOVE ALL EXISTING SPRINT ANTENNA COAXIAL CABLES
- INSTALL (3) NEW HYBRIDFLEX FIBER OPTIC CABLES USING EXISTING COAX ROUTE (1 PER SECTOR)
- INSTALL (6) NEW RRUS

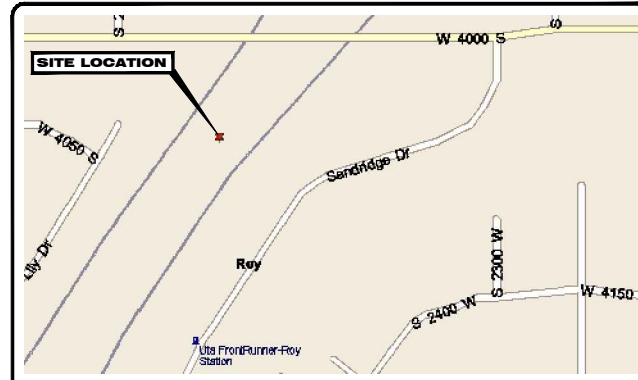
PROJECT DESCRIPTION

APPROVAL	SIGNATURE	DATE
SITE ACQUISITION MANAGER		
CONSTRUCTION MANAGER		
A&E MANAGER		
PLANNING CONSULTANT		
RF MANAGER		
RF ENGINEER		
PROPERTY OWNER		
SPRINT REPRESENTATIVE		
AAV MANAGER		

SIGNATURE BLOCK



AREA MAP



VICINITY MAP

FROM SALT LAKE CITY INTERNATIONAL AIRPORT
TO SITE :

DEPART SALT LAKE CITY INTERNATIONAL AIRPORT [776 N TERMINAL DR, SALT LAKE CITY UT 84116, UNITED STATES, TEL: +(1)-801-5752400] ON (N) TERMINAL DR (WEST)ROAD NAME CHANGES TO LOCAL ROAD(S)KEEP LEFT ONTO RAMP TAKE RAMP (LEFT) ONTO I-80AT EXIT 117, TURN RIGHT ONTO RAMP TAKE RAMP (LEFT) ONTO I-215TAKE RAMP ONTO I-15AT EXIT 338, TURN RIGHT ONTO RAMPKEEP STRAIGHT ONTO LOCAL ROAD(S)TURN LEFT (WEST) ONTO UT-97 [W 5600 S]TURN RIGHT (NORTH) ONTO UT-126 [S 1900 W]TURN LEFT (WEST) ONTO W 4000 S [W 40TH S]TURN LEFT (SOUTH) ONTO LOCAL ROAD(S)ARRIVE 41.1896°N 112.0392°W

DRIVING DIRECTIONS

SHEET	DESCRIPTION
T-1	TITLE SHEET
N-1	GENERAL NOTES
N-2	GENERAL NOTES
A-1	OVERALL SITE PLAN
A-2	COMPOUND & EQUIPMENT PLANS
A-3	ELEVATION & ANTENNA PLANS (ALL SECTORS)
A-4	EQUIPMENT DETAILS
A-5	EQUIPMENT DETAILS (OUTDOOR SPECIFICATIONS)
A-6	EQUIPMENT DETAILS
RF-1	ANTENNA AND CABLE COLOR CODING DETAILS
E-1	ONE-LINE DIAGRAM & POWER PANEL SCHEDULE
E-2	ELECTRICAL DETAILS
E-3	GROUNDING & ROUTING PLANS
E-4	GROUNDING DETAILS
E-5	GROUNDING DETAILS

SHEET INDEX

APPLICANT:
LANE FISHBURN
GENERAL DYNAMICS WIRELESS SERVICES
1171 WEST 2400 SOUTH
SALT LAKE CITY, UT 84119
PHONE #: (801) 736-5152
EMAIL: lane.fishburn@gditi.com

PROPERTY INFORMATION:
PROPERTY OWNER: TODD POTTER
ADDRESS: 2449 W 4000 S
ROY, CO 84067
CONTACT: JAN MITCHELL
PHONE #: 408-735-6910
TOWER OWNER: CROWN CASTLE
SITE ID: 880534

ZONING CLASSIFICATION: LM
CONSTRUCTION TYPE: V-B
OCCUPANCY: U
JURISDICTION: CITY OF ROY
CURRENT USE: UNMANNED WIRELESS TELECOMMUNICATIONS FACILITY
NEW USE: UNMANNED WIRELESS TELECOMMUNICATIONS FACILITY

PARCEL NUMBER (S)
08-052-0016

LEASE AREA:
120 SQ FT

PROJECT SUMMARY

THIS IS AN EXISTING SPRINT WIRELESS TELECOMMUNICATION FACILITY NETWORK VISION EQUIPMENT UPGRADE

ENGINEER:
TLCL
2021 HAWKEN DR.
PLANO, TX 75023
PHONE #: (972) 527-0300

STRUCTURAL ENGINEER:
TOWER ENGINEERING PROFESSIONALS
3703 JUNCTION BOULEVARD
RALEIGH, NC 27603
CONTACT: ANDREW T. HALDANE, PE
PHONE #: 919-661-6351
EMAIL: CROWN@TEPGROUP.NET

SITE ACQ. PROJECT MANAGER:
LANE FISHBURN
GENERAL DYNAMICS WIRELESS SERVICES
1171 WEST 2400 SOUTH
SALT LAKE CITY, UT 84119
PHONE #: (801) 736-5152
EMAIL: lane.fishburn@gditi.com

CONSTRUCTION MANAGER:
MARY BETH CADY
GENERAL DYNAMICS WIRELESS SERVICES
1171 WEST 2400 SOUTH
SALT LAKE CITY, UT 84119
PHONE #: (801) 736-5157
EMAIL: marybeth.cady@gditi.com

CUSTOMER:
SPRINT SPECTRUM
1105 WEST 2400 SOUTH, SUITE A
SALT LAKE CITY, UT 84119
CONTACT: CUSTOMER SERVICE
PHONE #: 801-358-0243

TOWER OWNER:
PHOENIX DISTRICT
CROWN CASTLE USA, INC.
5350 NORTH 48TH STREET
SUITE 305
CHANDLER, AZ 85226-5141
PHONE #: 480-735-6900

BUILDING DEPARTMENT:
ROY CITY BUILDING DEPARTMENT
5051 S 1900 W
ROY, UT 84067
CONTACT: TRACY HALLADAY
PHONE #: 801-774-1031
EMAIL: ced@royutah.org

ELECTRICAL COMPANY:
PACIFICORP
CONTACT: CUSTOMER SERVICE
PHONE #: 1-888-221-7070

TELCO COMPANY:
CENTURYLINK
CONTACT: CUSTOMER SERVICE
PHONE #: (800) 350-1044

AAV MANAGER:
PRATT BETHERS
5600 SOUTH QUEBEC STREET, Suite 340C
GREENWOOD VILLAGE, CO 80111
PHONE #: (303) 357-1334
EMAIL: pratt.bethers@gditi.com

RF ENGINEER:
DENIS A. SEQUEIRA
UTAH & IDAHO ENGINEER
STA NETWORK SERVICES
PHONE #: (972) 375-2494
EMAIL: d.sequeira@sta.samsung.com

PROJECT TEAM

SPECIAL NOTE:

THIS SET OF PLANS REPRESENTS REVISIONS BASED ON BEST AVAILABLE INFORMATION FROM EARLIER CONSTRUCTION DRAWINGS FOR THE SITE INDICATED ON THE T-1 DRAWING. WITHOUT EXCEPTION, THE CONTRACTOR SHALL VERIFY THE FOLLOWING BEFORE SUBMITTING HIS PROPOSAL FOR THE WORK ON THIS SITE:

- CONTRACTOR SHALL VISIT THE SITE AND CAREFULLY EXAMINE THE CURRENT CONFIGURATION, EQUIPMENT, AND INSTALLATION.
- CONTRACTOR SHALL CONFIRM OR DENY (DETAILED IN WRITING TO THE CM) THAT THE EXISTING IN-SITU INSTALLATION SUBSTANTIALLY REFLECTS THE EXISTING CONDITIONS INDICATED IN THIS DRAWING SET PRIOR TO THE CURRENT PROPOSED REVISIONS.
- CONTRACTOR SHALL CERTIFY THAT HIS PROPOSAL INCLUDES ALL NECESSARY EQUIPMENT, MATERIALS, WORK, FEES, OR REVISIONS TO MEET THE FINAL SPRINT AND AUTHORITY(ES) HAVING JURISDICTION (AHJ) REQUIREMENTS FOR THIS INSTALLATION.
- IN NO CASE SHALL PROPOSED REVISIONS TO THIS SITE RELAX ANY EARLIER MORE STRINGENT REQUIREMENT. ANY PERCEIVED CHANGES TO EXISTING OR PROPOSED REVISIONS SHALL BE APPROVED IN WRITING BY THE CM.
- CONTRACTOR WILL CHECK THE TOWER FOR MIGRATORY BIRD PRESENCE AND BIRD NESTS UPON ARRIVING ON SITE. IF THE CONTRACTOR FINDS BIRDS OR A BIRD NEST ON SITE, THE CONTRACTOR MUST NOT BEGIN WORK ON SITE AND MUST CONTACT THE CONSTRUCTION MANAGER FOR FURTHER DIRECTION.

GENERAL CONSTRUCTION NOTES

- ALL WORK SHALL CONFORM TO THE REQUIREMENTS OF THE LOCAL BUILDING CODE, THE LATEST EDITION AND ALL OTHER APPLICABLE CODES AND ORDINANCES.
- CONTRACTOR SHALL CONSTRUCT SITE IN ACCORDANCE WITH THESE DRAWINGS AND SPRINT INTEGRATED CONSTRUCTION STANDARDS FOR WIRELESS SITES (LATEST REVISION). THE SPECIFICATION IS THE RULING DOCUMENT AND ANY DISCREPANCIES BETWEEN THE SPECIFICATION AND THESE DRAWINGS SHOULD BE BROUGHT TO THE ATTENTION OF THE ENGINEER PRIOR TO PROCEEDING WITH CONSTRUCTION.
- CONTRACTOR SHALL VISIT THE JOB SITE AND SHALL FAMILIARIZE HIMSELF WITH ALL CONDITIONS AFFECTING THE NEW WORK AND SHALL MAKE PROVISIONS AS TO THE COST THEREOF. FIELD CONDITIONS AND DIMENSIONS AND CONFIRMING THAT THE WORK MAY BE ACCOMPLISHED AS SHOWN PRIOR TO PROCEEDING WITH CONSTRUCTION. ANY DISCREPANCIES SHALL BE BROUGHT TO THE ATTENTION OF THE ENGINEER PRIOR TO THE COMMENCEMENT OF WORK. NO COMPENSATION WILL BE AWARDED BASED ON CLAIM OF LACK OF KNOWLEDGE OF FIELD CONDITIONS.
- PLANS ARE NOT TO BE SCALED. THESE PLANS ARE INTENDED TO BE A DIAGRAMMATIC OUTLINE ONLY UNLESS OTHERWISE NOTED. THE WORK SHALL INCLUDE FURNISHING MATERIALS, EQUIPMENT AND APPURTENANCES, AND LABOR NECESSARY TO EFFECT ALL INSTALLATIONS AS INDICATED ON THE DRAWINGS.
- DIMENSIONS SHOWN ARE TO FINISH SURFACES UNLESS OTHERWISE NOTED. SPACING BETWEEN EQUIPMENT IS REQUIRED CLEARANCE. THEREFORE, IT IS CRITICAL TO FIELD VERIFY DIMENSIONS, SHOULD THERE BE ANY QUESTIONS REGARDING THE CONTRACT DOCUMENTS, EXISTING CONDITIONS AND/OR DESIGN INTENT, THE CONTRACTOR SHALL BE RESPONSIBLE FOR OBTAINING THE WORK.
- DETAILS ARE INTENDED TO SHOW DESIGN INTENT. MODIFICATIONS MAY BE REQUIRED TO SUIT JOB DIMENSIONS OR CONDITIONS, AND SUCH MODIFICATIONS SHALL BE INCLUDED AS PART OF THE WORK.
- CONTRACTOR SHALL RECEIVE CLARIFICATION IN WRITING, AND SHALL RECEIVE IN WRITING AUTHORIZATION TO PROCEED BEFORE STARTING WORK ON ANY ITEMS NOT CLEARLY DEFINED OR IDENTIFIED BY THE CONTRACT DOCUMENTS.
- CONTRACTOR SHALL SUPERVISE AND DIRECT THE WORK USING THE BEST CONSTRUCTION SKILLS AND ATTENTION. CONTRACTOR SHALL BE SOLELY RESPONSIBLE FOR CONSTRUCTION MEANS, METHODS, TECHNIQUES, SEQUENCES AND PROCEDURES AND FOR COORDINATING ALL PORTIONS OF THE WORK UNDER CONTRACT, UNLESS OTHERWISE NOTED.
- CONTRACTOR SHALL BE RESPONSIBLE FOR THE SAFETY OF THE WORK AREA, ADJACENT AREAS AND BUILDING OCCUPANTS THAT ARE LIKELY TO BE AFFECTED BY THE WORK UNDER THIS CONTRACT. WORK SHALL CONFORM TO ALL OSHA REQUIREMENTS.
- CONTRACTOR SHALL COORDINATE HIS WORK WITH THE SUPERINTENDENT OF BUILDINGS & GROUNDS AND SCHEDULE HIS ACTIVITIES AND WORKING HOURS IN ACCORDANCE WITH THE REQUIREMENTS.
- CONTRACTOR SHALL BE RESPONSIBLE FOR COORDINATING HIS WORK WITH THE WORK OF OTHERS AS IT MAY RELATE TO RADIO EQUIPMENT, ANTENNAS AND ANY OTHER PORTIONS OF THE WORK.
- INSTALL ALL EQUIPMENT AND MATERIALS IN ACCORDANCE WITH MANUFACTURERS RECOMMENDATIONS UNLESS SPECIFICALLY OTHERWISE INDICATED OR WHERE LOCAL CODES OR REGULATIONS TAKE PRECEDENCE.
- MAKE NECESSARY PROVISIONS TO PROTECT EXISTING SURFACES, EQUIPMENT, IMPROVEMENTS, PIPING ETC. AND IMMEDIATELY REPAIR ANY DAMAGE THAT OCCURS DURING CONSTRUCTION.
- IN DRILLING HOLES INTO CONCRETE WHETHER FOR FASTENING OR ANCHORING PURPOSES, OR PENETRATIONS THROUGH THE FLOOR FOR CONDUIT RUNS, PIPE RUNS, ETC., MUST BE CLEARLY UNDERSTOOD THAT REINFORCING STEEL SHALL NOT BE DRILLED INTO, CUT OR DAMAGED UNDER ANY CIRCUMSTANCES (UNLESS NOTED OTHERWISE). LOCATIONS OF REINFORCING STEEL ARE NOT DEFINITELY KNOWN AND THEREFORE MUST BE SEARCHED FOR BY APPROPRIATE METHODS AND EQUIPMENT.
- REPAIR ALL EXISTING WALL SURFACES DAMAGED DURING CONSTRUCTION SUCH THAT THEY MATCH AND BLEND IN WITH ADJACENT SURFACES.
- SEAL PENETRATIONS THROUGH FIRE RATED AREAS WITH U.L. LISTED AND FIRE CODE APPROVED MATERIALS.
- KEEP CONTRACT AREA CLEAN, HAZARD FREE, AND DISPOSE OF ALL DIRT, DEBRIS, AND RUBBISH. EQUIPMENT NOT SPECIFIED AS REMAINING ON THE PROPERTY OF THE OWNER SHALL BE REMOVED. LEAVE PREMISES IN CLEAN CONDITION AND FREE FROM PAINT SPOTS, DUST, OR SMUDGES OF ANY NATURE. CONTRACTOR SHALL BE RESPONSIBLE FOR MAINTAINING ALL ITEMS UNTIL COMPLETION OF CONSTRUCTION.
- MINIMUM BEND RADIUS OF ANTENNA CABLES SHALL BE IN ACCORDANCE WITH CABLE MANUFACTURERS RECOMMENDATIONS.
- ALL EXISTING INACTIVE SEWER, WATER, GAS, ELECTRIC AND OTHER UTILITIES, WHICH INTERFERE WITH THE EXECUTION OF THE WORK, SHALL BE REMOVED AND/OR CAPPED, PLUGGED OR OTHERWISE DISCONTINUED AT POINTS WHICH WILL NOT INTERFERE WITH THE EXECUTION OF THE WORK, SUBJECT TO THE APPROVAL OF THE ENGINEER.
- CONTRACTOR SHALL MINIMIZE DISTURBANCE TO EXISTING SITE DURING CONSTRUCTION. EROSION CONTROL MEASURES, IF REQUIRED DURING CONSTRUCTION SHALL BE IN CONFORMANCE WITH JURISDICTIONAL OR STATE AND LOCAL GUIDELINES FOR EROSION AND SEDIMENT CONTROL AND COORDINATED WITH LOCAL REGULATORY AUTHORITIES.
- LIGHT SHADED LINES AND NOTES REPRESENT WORK PREVIOUSLY DONE. DARK SHADED LINES AND NOTES REPRESENT THE SCOPE OF WORK FOR THIS PROJECT. CONTRACTOR SHALL VERIFY IF EXISTING CONSTRUCTION IS COMPLETE. CONTRACTOR SHALL NOTIFY ENGINEER OF ANY EXISTING CONDITIONS THAT DEVIATE FROM THE DRAWINGS PRIOR TO BEGINNING CONSTRUCTION.
- CONTRACTOR SHALL SECURE ALL NECESSARY PERMITS AND/OR WIRING CERTIFICATES REQUIRED FOR THE ELECTRICAL SERVICE UPGRADE. IN ADDITION, CONTRACTOR SHALL PROVIDE ALL NECESSARY COORDINATION AND SCHEDULING WITH THE SERVING ELECTRICAL UTILITY AND LOCAL INSPECTION AUTHORITIES.

ELECTRICAL NOTES

- ELECTRICAL CONTRACTOR SHALL SUPPLY AND INSTALL ANY/ALL ELECTRICAL WORK INDICATED. ANY/ALL CONSTRUCTION SHALL BE IN ACCORDANCE W/DRAWINGS AND ANY/ALL APPLICABLE SPECIFICATIONS. IF ANY PROBLEMS ARE ENCOUNTERED BY COMPLYING WITH THESE REQUIREMENTS, CONTRACTOR SHALL NOTIFY "CONSTRUCTION MANAGER" AS SOON AS POSSIBLE, AFTER THE DISCOVERY OF THE PROBLEMS, AND SHALL NOT PROCEED WITH THAT PORTION OF WORK, UNTIL THE "CONSTRUCTION MANAGER" HAS DIRECTED THE CORRECTIVE ACTIONS TO BE TAKEN.

- ELECTRICAL CONTRACTOR SHALL VISIT THE JOB SITE AND FAMILIARIZE HIMSELF WITH ANY/ALL CONDITIONS AFFECTING ELECTRICAL AND COMMUNICATION INSTALLATION AND MAKE PROVISIONS AS TO THE COST THEREOF. ALL EXISTING CONDITIONS OF ELECTRICAL EQUIP., LIGHT FIXTURES, ETC., THAT ARE PART OF THE FINAL SYSTEM, SHALL BE VERIFIED BY THE CONTRACTOR, PRIOR TO THE SUBMITTAL OF HIS BID. FAILURE TO COMPLY WITH THIS PARAGRAPH WILL IN NO WAY RELIEVE CONTRACTOR OF PERFORMING ALL WORK NECESSARY FOR A COMPLETE AND WORKING SYSTEM.
- ALL WORK SHALL BE PERFORMED IN ACCORDANCE WITH THE LATEST EDITION OF THE NEC AND ALL CODES AND LOCAL ORDINANCES OF THE LOCAL POWER & TELEPHONE COMPANIES HAVING JURISDICTION AND SHALL INCLUDED BUT NOT BE LIMITED TO:
 - UL -- UNDERWRITERS LABORATORIES
 - NEC -- NATIONAL ELECTRICAL CODE
 - NEMA -- NATIONAL ELECTRICAL MANUFACTURERS ASSOC.
 - OSHA -- OCCUPATIONAL SAFETY AND HEALTH ACT
 - IBC -- INTERNATIONAL BUILDING CODE
 - NFPA -- NATIONAL FIRE CODES
- DO NOT SCALE ELECTRICAL DRAWINGS, REFER TO SITE PLANS AND ELEVATIONS FOR EXACT LOCATIONS OF ALL EQUIPMENT, AND CONFIRM WITH CONSTRUCTION MANAGER ANY SIZES AND AND LOCATIONS WHEN NEEDED.
- EXISTING SERVICES: CONTRACTOR SHALL NOT INTERRUPT EXISTING SERVICES WITHOUT WRITTEN PERMISSION OF THE GDIT.
- CONTRACTOR SHALL PAY FOR ANY/ALL PERMITS, FEES, INSPECTIONS AND TESTING. CONTRACTOR IS TO OBTAIN PERMITS AND APPROVED SUBMITTALS PRIOR TO THE WORK BEGINNING OR ORDERING EQUIPMENT.
- THE TERM "PROVIDE" USED IN CONSTRUCTION DOCUMENTS AND SPECIFICATIONS, INDICATES THAT THE CONTRACTOR SHALL FURNISH AND INSTALL.
- CONTRACTOR SHALL CONFIRM WITH LOCAL UTILITY COMPANY ANY/ALL REQUIREMENTS SUCH AS THE: LUG SIZE RESTRICTIONS, CONDUIT ENTRY, SIZE OF TRANSFORMERS, SCHEDULED DOWNTIME FOR THE OWNERS' CONFIRMATION, ETC. ANY/ALL CONFLICTS SHALL BE BROUGHT TO THE ATTENTION OF THE CONSTRUCTION MANAGER, PRIOR TO BEGINNING ANY WORK.
- MINIMUM WIRE SIZE SHALL BE #12 AWG, NOT INCLUDING CONTROL WIRING, UNLESS NOTED OTHERWISE. ALL CONDUCTORS SHALL BE COPPER WITH THWN INSULATION.
- OUTLET BOXES SHALL BE PRESSED STEEL IN DRY LOCATIONS, CAST ALLOY WITH THREADED HUBS IN WET/DAMP LOCATIONS AND SPECIAL ENCLOSURES FOR OTHER CLASSIFIED AREAS.
- IT IS NOT THE INTENT OF THESE PLANS TO SHOW EVERY MINOR DETAIL OF THE CONSTRUCTION. CONTRACTOR IS EXPECTED TO FURNISH AND INSTALL ALL ITEMS FOR A COMPLETE ELECTRICAL SYSTEM AND PROVIDE ALL REQUIREMENTS FOR THE EQUIPMENT TO BE PLACED IN PROPER WORKING ORDER.
- ELECTRICAL SYSTEM SHALL BE AS COMPLETELY AND EFFECTIVELY GROUNDED, AS REQUIRED BY SPECIFICATION, SET FORTH BY SPRINT.
- ALL WORK SHALL BE PERFORMED BY A LICENSED ELECTRICAL CONTRACTOR IN A FIRST CLASS, WORKMANLIKE MANNER. THE COMPLETED SYSTEM SHALL BE FULLY OPERATIVE AND SUBJECT TO REGULATORY INSPECTION AND APPROVAL BY CONSTRUCTION MANAGER.
- ALL WORK SHALL BE COORDINATED WITH OTHER TRADES TO AVOID INTERFERENCE WITH THE PROGRESS OF CONSTRUCTION.
- CONTRACTOR SHALL GUARANTEE ANY/ALL MATERIALS AND WORK FREE FROM DEFECTS FOR A PERIOD OF NOT LESS THAN TWO YEARS FROM DATE OF CUSTOMER'S ACCEPTANCE.
- THE CORRECTION OF ANY DEFECTS SHALL BE COMPLETED WITHOUT ANY ADDITIONAL CHARGE AND SHALL INCLUDE THE REPLACEMENT OR THE REPAIR OF ANY OTHER PHASE OF THE INSTALLATION, WHICH MAY HAVE BEEN DAMAGED THEREIN WITHIN 48 HOURS.
- ADEQUATE AND REQUIRED LIABILITY INSURANCE SHALL BE PROVIDED FOR PROTECTION AGAINST PUBLIC LOSS AND ANY/ALL PROPERTY DAMAGE FOR THE DURATION OF WORK.
- PROVIDE AND INSTALL CONDUIT, CONDUCTORS, PULL WIRES, BOXES, COVER PLATES AND DEVICES FOR ALL OUTLETS AS INDICATED.
- DITCHING AND BACK FILL: CONTRACTOR SHALL PROVIDE FOR ALL UNDERGROUND INSTALLED CONDUIT AND/OR CABLES INCLUDING EXCAVATION AND BACKFILLING AND COMPACTION. REFER TO NOTES AND REQUIREMENTS, EXCAVATION, AND BACKFILLING.
- MATERIALS, PRODUCTS AND EQUIPMENT, INCLUDING ALL COMPONENTS THEREOF, SHALL BE NEW AND SHALL APPEAR ON THE LIST OF U.L. APPROVED ITEMS AND SHALL MEET OR EXCEED THE REQUIREMENTS OF THE NEC, NEMA AND IEEE.
- CONTRACTOR SHALL SUBMIT SHOP DRAWINGS OR MANUFACTURER'S CATALOG INFORMATION OF ANY/ALL LIGHTING FIXTURES, SWITCHES AND ALL OTHER ELECTRICAL ITEMS FOR APPROVAL BY THE CONSTRUCTION MANAGER PRIOR TO INSTALLATION.
- ANY CUTTING OR PATCHING DEEMED NECESSARY FOR ELECTRICAL WORK IS THE ELECTRICAL CONTRACTORS RESPONSIBILITY AND SHALL BE INCLUDED IN THE COST FOR WORK AND PERFORMED TO THE SATISFACTION OF THE CONSTRUCTION MANAGER UPON FINAL ACCEPTANCE.
- THE ELECTRICAL CONTRACTOR SHALL LABEL ALL PANELS WITH ONLY TYPEWRITTEN DIRECTORIES. ALL ELECTRICAL WIRING SHALL BE THE RESPONSIBILITY OF THE ELECTRICAL CONTRACTOR.
- DISCONNECT SWITCHES SHALL BE H.P. RATED HEAVY-DUTY, QUICK-MAKE AND QUICK-BREAK ENCLOSURES, AS REQUIRED BY EXPOSURE TYPE.
- ALL CONNECTIONS SHALL BE MADE WITH A PROTECTIVE COATING OF AN ANTI-OXIDE COMPOUND SUCH AS "NO-OXIDE A" BY DEARBORNE CHEMICAL CO. COAT ALL WIRE SURFACES BEFORE CONNECTING. EXPOSED COPPER SURFACES, INCLUDING GROUND BARS, SHALL BE TREATED - NO SUBSTITUTIONS.
- RACEWAYS: CONDUIT SHALL BE SCHEDULE 40 PVC MEETING OR EXCEEDING NEMA TC2 - 1990. CONTRACTOR SHALL PLUG AND CAP EACH END OF SPARE AND EMPTY CONDUITS AND PROVIDE TWO SEPARATE PULL STRINGS - 200 LBS TEST POLYETHYLENE CORD. ALL CONDUIT BENDS SHALL BE A MINIMUM OF 2 FT. RADIUS. RGS CONDUITS WHEN SPECIFIED, SHALL MEET UL-6 FOR GALVANIZED STEEL. ALL FITTINGS SHALL BE SUITABLE FOR USE WITH THREADED RIGID CONDUIT. COAT ALL THREADS WITH 'BRITE ZINC' OR 'GOLD CALV'.
- SUPPORT OF ALL ELECTRICAL WORK SHALL BE AS REQUIRED BY NEC.
- CONDUCTORS: CONTRACTOR SHALL USE 98% CONDUCTIVITY COPPER WITH TYPE THWN INSULATION, 600 VOLT, COLOR CODED. USE SOLID CONDUCTORS FOR WIRE UP TO AND INCLUDING NO. 8 AWG. USE STRANDED CONDUCTORS FOR WIRE ABOVE NO. 8 AWG.
- CONNECTORS FOR POWER CONDUCTORS: CONTRACTOR SHALL USE PRESSURE TYPE INSULATED TWIST-ON CONNECTORS FOR NO. 10 AWG AND SMALLER. USE SOLDERLESS MECHANICAL TERMINAL LUGS FOR NO. 8 AWG AND LARGER.
- SERVICE: 240/120V, SINGLE PHASE, 3 WIRE CONNECTIONS AVAILABLE FROM UTILITY COMPANY. OWNER OR OWNERS AGENT WILL APPLY FOR POWER.
- TELEPHONE SERVICE: CONTRACTOR SHALL PROVIDE EMPTY CONDUITS WITH MULE TAPE AS INDICATED ON DRAWINGS.
- ELECTRICAL AND TELCO RACEWAYS TO BE BURIED A MINIMUM OF 2' DEPTH.
- CONTRACTOR SHALL PLACE TWO LENGTHS OF WARNING TAPE AT A DEPTH OF 12" BELOW GROUND AND DIRECTLY ABOVE ELECTRICAL AND TELCO SERVICE CONDUITS. CAUTIONS TAPE TO READ "CAUTION BURIED ELECTRIC" OR "BURIED TELECOM".
- ALL BOLTS SHALL BE STAINLESS STEEL.

ANTENNA & COAX NOTES

- VERIFY EACH COAXIAL CABLE LENGTH, DIAMETER, ROUTING, COLOR CODING AND ALL APPURTENANCES WITH GDIT.
- THE MAXIMUM COAXIAL CABLE LENGTH AND CORRESPONDING COAXIAL CABLE DIAMETER IS SHOWN ON SHEET A-4. THIS CABLE LENGTH IS TO BE USED FOR FABRICATION OR CONSTRUCTION. ACTUAL ANTENNA CABLE LENGTH(S) MUST BE VERIFIED. COAXIAL CABLE SHALL BE PROVIDED BY GDIT.
- ALL COAX CABLES SHALL UTILIZE GROUND KITS, GROUNDED AS FOLLOWS:
 - NEAR ANTENNA RAD CENTER ELEVATION,
 - MIDDLE OF TOWER (MID-HEIGHT OF ANTENNA), IF CABLE RUN IS OVER 200',
 - BOTTOM OF TOWER,
 - AT MASTER GROUND BAR 3'-0" FROM MMBS-BBU CABINET
- ALL TOP JUMPERS SHALL BE LENGTHS AS SHOWN AND INSTALLED BY CONTRACTOR.
- ALL CABLES SHALL BE COLOR CODED AS SHOWN ON SHEET RF-1 AND IN ACCORDANCE WITH SPRINT SPECIFICATIONS.
- BANDING SHALL BE IN ACCORDANCE WITH SHEET, RF-1 AND AS FOLLOWS:
 - MAIN LINE COLOR BANDS SHALL BE 2" WIDE. MAINTAIN 1" SPACING BETWEEN COLORS.
 - FREQUENCY COLOR BANDS SHALL BE 2" WIDE WITH NO SPACE BETWEEN COLORS.
 - JUMPER COLOR BANDS SHALL BE 1" WIDE WITH 1" SPACE.
 - START COLOR BANDS 2" BEYOND WEATHERPROOFING.
 - START SELECTOR COLOR NEXT TO END CONNECTORS.
- FINAL COAXIAL ANTENNA CABLE SIZES SHALL BE DETERMINED BY SAMSUNG RF ENGINEER. SEE ANTENNA SCHEDULE SHEET A-3. BASED ON FINAL CABLE RUN LENGTHS DETERMINED BY GD.
- SEE CONSTRUCTION MANAGER FOR ANTENNA SUPPORT ASSEMBLY TYPE.
- ALL COAXIAL CABLE WILL BE SECURED TO THE DESIGNED SUPPORT STRUCTURE AT DISTANCES NOT TO EXCEED 3' OR THE CABLE MANUFACTURER'S SPECIFICATIONS WHICHEVER IS LESS, WITH HARDWARE SPECIFIED IN THE COAXIAL CABLE ROUTING DETAILS OF THE SUPPLIED STRUCTURAL REPORT.
- PROVIDE AT LEAST 6" OF SLACK IN THE MAIN COAXIAL CABLES AT THE ANTENNA MOUNTING ELEVATION TO PROVIDE FOR FUTURE CONNECTOR REPLACEMENT.

ANTENNA & HYBRID CABLE NOTES

- VERIFY EACH HYBRID CABLE LENGTH, ROUTING, DIAMETER, COLOR CODING AND ALL APPURTENANCES WITH GDIT.
- THE HYBRID CABLE AND DIAMETER LENGTH IS SHOWN ON A-3. EXCESS CABLE LENGTHS TO BE DRESSED IN A MANNER APPROVED BY GDIT. CABLES CANNOT BE CUT TO FIT.
- HYBRID CABLE INTERNAL GROUND WIRE TO BE GROUNDED AT TOP AND BOTTOM PER SAMUSUNG'S (SPRINT) SPECIFICATIONS.
- EXCESS TOP 15' HYBRID CABLE FIBER JUMPERS TO BE DRESSED IN A MANNER APPROVED BY GDIT, CANNOT BE COILED, MUST BE SECURED TO TOWER MOUNTS..
- ALL MAIN CABLES SHALL BE COLOR CODED AS SHOWN ON SHEET RF-1 & IN ACCORDANCE WITH SPRINT SPECIFICATIONS.
- BANDING SHALL BE IN ACCORDANCE WITH SHEET, RF-1.
 - MAIN LINE COLOR BANDS SHALL BE 2" WIDE. MAINTAIN 1" SPACING BETWEEN.
 - JUMPER COLOR BANDS SHALL BE 1" WIDE WITH 1" SPACE.
 - START COLOR BANDS 2" BEFORE MAIN CABLE END.
- FINAL HYBRID CABLE SIZES SHALL BE DETERMINED BY SAMSUNG RF ENGINEER. SEE HYBRID CABLE SCHEDULE SHEET RF-1, BASED ON FINAL CABLE RUN LENGTHS DETERMINED BY GDIT.
- ALL HYBRID CABLE WILL BE SECURED TO THE DESIGNED SUPPORT STRUCTURE AT DISTANCES NOT TO EXCEED 3' HORIZONTALLY OR 4' VERTICALLY OR THE CABLE MANUFACTURER'S SPECIFICATIONS WHICHEVER IS LESS, WITH HARDWARE SPECIFIED IN THE HYBRID CABLE ROUTING DETAILS OF THE SUPPLIED STRUCTURAL SUPPORT.

SITE WORK NOTES

- DO NOT EXCAVATE OR DISTURB BEYOND THE PROPERTY LINES OR LEASE LINES, UNLESS OTHERWISE NOTED.
- DO NOT SCALE BUILDING DIMENSIONS FROM DRAWING.
- SIZE, LOCATION AND TYPE OF ANY UNDERGROUND UTILITIES OR IMPROVEMENTS SHALL BE ACCURATELY NOTED AND PLACED ON AS-BUILT DRAWINGS BY GENERAL CONTRACTOR AND ISSUED TO ARCHITECT/ENGINEER AT COMPLETION OF PROJECT.
- ALL EXISTING UTILITIES, FACILITIES, CONDITIONS AND THEIR DIMENSIONS SHOWN ON PLANS HAVE BEEN PLOTTED FROM AVAILABLE RECORDS. THE ENGINEER AND OWNER ASSUME NO RESPONSIBILITY WHATSOEVER AS TO THE SUFFICIENCY OR ACCURACY OF THE INFORMATION SHOWN ON THE PLANS OR THE MANNER OF THEIR REMOVAL OR ADJUSTMENT. CONTRACTOR SHALL BE RESPONSIBLE FOR DETERMINING EXACT LOCATION OF ALL EXISTING UTILITIES AND FACILITIES PRIOR TO START OF CONSTRUCTION. CONTRACTOR SHALL ALSO OBTAIN FROM EACH UTILITY COMPANY DETAILED INFORMATION RELATIVE TO WORKING SCHEDULES AND METHODS OF REMOVING OR ADJUSTING EXISTING UTILITIES.
- CONTRACTOR SHALL VERIFY ALL EXISTING UTILITIES BOTH HORIZONTALLY AND VERTICALLY PRIOR TO START OF CONSTRUCTION. ANY DISCREPANCIES OR DOUBTS AS TO THE INTERPRETATION OF PLANS SHALL BE IMMEDIATELY REPORTED TO THE ARCHITECT/ENGINEER FOR RESOLUTION AND INSTRUCTION, AND NO FURTHER WORK SHALL BE PERFORMED UNTIL THE DISCREPANCY IS CHECKED AND CORRECTED BY THE ARCHITECT/ENGINEER. FAILURE TO SECURE SUCH INSTRUCTION MEANS CONTRACTOR WILL HAVE WORKED AT HIS/HER OWN RISK AND EXPENSE.
- CONTRACTOR SHALL CALL LOCAL DIGGER HOT LINE FOR UTILITY LOCATIONS 48 HOURS PRIOR TO START OF CONSTRUCTION.
- ALL NEW AND EXISTING UTILITY STRUCTURES ON SITE AND IN AREAS TO BE DISTURBED BY CONSTRUCTION SHALL BE ADJUSTED TO FINISH ELEVATIONS PRIOR TO FINAL INSPECTION OF WORK.
- GRADING OF THE SITE WORK AREA IS TO BE SMOOTH AND CONTINUOUS IN SLOPE AND IS TO FEATHER INTO EXISTING GRADES AT THE GRADING LIMITS.
- ALL TEMPORARY EXCAVATIONS FOR THE INSTALLATION OF FOUNDATIONS, UTILITIES, ETC., SHALL BE PROPERLY LAID BACK OR BRACED IN ACCORDANCE WITH CORRECT OCCUPATIONAL SAFETY AND HEALTH ADMINISTRATION (OSHA) REQUIREMENTS.
- STRUCTURAL FILLS SUPPORTING PAVEMENTS SHALL BE COMPACTED TO 95% OF MAXIMUM STANDARD PROCTOR DRY DENSITY.
- NEW GRADES NOT IN BUILDING AND DRIVEWAY IMPROVEMENT AREA TO BE ACHIEVED BY FILLING WITH APPROVED CLEAN FILL AND COMPACTED TO 95% OF STANDARD PROCTOR DENSITY.
- ALL FILL SHALL BE PLACED IN UNIFORM LIFTS. THE LIFTS THICKNESS SHOULD NOT EXCEED THAT WHICH CAN BE PROPERLY COMPACTED THROUGHOUT ITS ENTIRE DEPTH WITH THE EQUIPMENT AVAILABLE.
- ANY FILLS PLACED ON EXISTING SLOPES THAT ARE STEEPER THAN 10 HORIZONTAL TO 1 VERTICAL SHALL BE PROPERLY BENCHED INTO THE EXISTING SLOPE AS DIRECTED BY A GEOTECHNICAL ENGINEER.
- CONTRACTOR SHALL CLEAN ENTIRE SITE DAILY AFTER CONSTRUCTION SUCH THAT NO PAPERS, TRASH, WEEDS, BRUSH OR ANY OTHER DEPOSITS WILL REMAIN. ALL MATERIALS COLLECTED DURING CLEANING OPERATIONS SHALL BE DISPOSED OF OFF-SITE BY THE GENERAL CONTRACTOR.
- ALL TREES AND SHRUBS WHICH ARE NOT IN DIRECT CONFLICT WITH THE IMPROVEMENTS SHALL BE PROTECTED BY THE GENERAL CONTRACTOR.
- ALL SITE WORK SHALL BE CAREFULLY COORDINATED BY GENERAL CONTRACTOR WITH LOCAL UTILITY COMPANY, TELEPHONE COMPAY, AND ANY OTHER UTILITY COMPANIES HAVING JURISDICTION OVER THIS LOCATION.

PREPARED FOR:

Sprint

SAMSUNG

1301 EAST LOOKOUT DRIVE
RICHARDSON, TX 75082-4124

GENERAL DYNAMICS
WIRELESS SERVICES

REV.	DATE	REVISION DESCRIPTION	DRAWN BY	CHKD. BY
1	03-22-13	100% CONSTRUCTION DRAWINGS	JM	JR
0	03-19-13	100% CONSTRUCTION DRAWINGS	JM	JR
A	12-17-12	90% CONSTRUCTION DRAWINGS	MM	JR

CONSULTANT:

CALTROP
Telecom

960 WEST ELLIOT ROAD
SUITE 116
TEMPE, AZ 85284

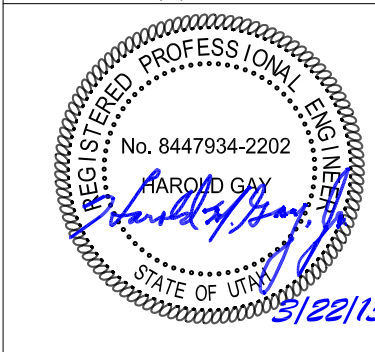
CROWN CASTLE
INTERNATIONAL

CONSULTANT:

JWCO

215 WEST MAIN STREET
MESQUITE, TX 75149
PHONE: 972.290.0716

E I C I
ENGINEERING
AND DESIGN SUPPORT SERVICES
2021 Hawken Drive
PLANO, TX 75023
(972) 527-0300



NETWORK VISION MMBS LAUNCH
KWIK CITY MUFLER
SL03XC136
CROWN CASTLE BU# 880534
2449 WEST 4000 SOUTH
ROY, UT 84067
WEBER COUNTY

DRAWN BY:	CHECKED BY:	DATE:
MM	JR	12-17-12

SHEET TITLE:

GENERAL NOTES

SHEET NUMBER: **N-1** REV.: **1**

FOUNDATION, EXCAVATION AND BACKFILL NOTES

- ALL FINAL GRADED SLOPES SHALL BE A MAXIMUM OF 3 HORIZONTAL TO 1 VERTICAL.
- ALL EXCAVATIONS PREPARED FOR PLACEMENT OF CONCRETE SHALL BE OF UNDISTURBED SOILS, SUBSTANTIALLY HORIZONTAL AND FREE FROM ANY LOOSE, UNSUITABLE MATERIAL OR FROZEN SOILS, AND WITHOUT THE PRESENCE OF PONDING WATER. DEWATERING FOR EXCESS GROUND WATER SHALL BE PROVIDED WHEN REQUIRED. COMPACTION OF SOILS UNDER CONCRETE PAD FOUNDATIONS SHALL NOT BE LESS THAN 95% OF THE MODIFIED PROCTOR MAXIMUM DRY DENSITY FOR THE SOIL IN ACCORDANCE WITH ASTM D1557.
- CONCRETE FOUNDATIONS SHALL NOT BE PLACED ON ORGANIC OR UNSUITABLE MATERIAL. IF INADEQUATE BEARING CAPACITY IS REACHED AT THE DESIGNED EXCAVATION DEPTH, THE UNSATISFACTORY SOIL SHALL BE EXCAVATED TO ITS FULL DEPTH AND EITHER BE REPLACED WITH MECHANICALLY COMPACTED GRANULAR MATERIAL OR THE EXCAVATION SHALL BE FILLED WITH CONCRETE OF THE SAME TYPE SPECIFIED FOR THE FOUNDATION. CRUSHED STONE MAY BE USED TO STABILIZE THE BOTTOM OF THE EXCAVATION. ANY STONE SUB BASE MATERIAL, IF USED, SHALL NOT SUBSTITUTE FOR REQUIRED THICKNESS OF CONCRETE.
- ALL EXCAVATIONS SHALL BE CLEAN OF UNSUITABLE MATERIAL SUCH AS VEGETATION, TRASH, DEBRIS, AND SO FORTH PRIOR TO BACK FILLING. BACK FILL SHALL CONSIST OF APPROVED MATERIALS SUCH AS EARTH, LOAM SANDY CLAY, SAND AND GRAVEL, OR SOFT SHALE, FREE FROM CLODS OR LARGE STONES OVER 2 1/2" MAX DIMENSIONS. ALL BACK FILL SHALL BE PLACED IN COMPACTED LAYERS.
- ALL FILL MATERIALS AND FOUNDATION BACK FILL SHALL BE PLACED IN MAXIMUM 6" THICK LIFTS BEFORE COMPACTION. EACH LIFT SHALL BE WETTED IF REQUIRED AND COMPACTED TO NOT LESS THAN 95% OF THE MODIFIED PROCTOR MAXIMUM DRY DENSITY FOR SOIL IN ACCORDANCE WITH ASTM D1557.
- NEWLY PLACED CONCRETE FOUNDATIONS SHALL CURE A MINIMUM OF 72 HRS PRIOR TO BACK FILLING.
- FINISHED GRADING SHALL BE SLOPED TO PROVIDE POSITIVE DRAINAGE AND PREVENT STANDING WATER. THE FINAL (FINISH) ELEVATION OF SLAB FOUNDATIONS SHALL SLOPE AWAY IN ALL DIRECTIONS FOR THE CENTER. FINISH GRADE OF CONCRETE PADS SHALL BE A MAXIMUM OF 4 INCHES ABOVE FINAL FINISH GRADE ELEVATIONS. PROVIDE SURFACE FILL GRAVEL TO ESTABLISH SPECIFIED ELEVATIONS WHERE REQUIRED.
- NEWLY GRADED SURFACE AREAS TO RECEIVE GRAVEL SHALL BE COVERED WITH GEOTEXTILE FABRIC TYPE: TYPAR-3401 AS MANUFACTURED BY "CONSTRUCTION MATERIAL 1-800-239-3841" OR AN APPROVED EQUIVALENT, SHOWN ON PLANS. THE GEOTEXTILE FABRIC SHALL BE BLACK IN COLOR TO CONTROL THE RECURRENT OF VEGETATIVE GROWTH AND EXTEND TO WITHIN 1 FOOT OUTSIDE THE SITE FENCING OR ELECTRICAL GROUNDING SYSTEM PERIMETER WHICH EVER IS GREATER. ALL FABRIC SHALL BE COVERED WITH A MINIMUM OF 4" DEEP COMPACTED STONE OR GRAVEL, AS SPECIFIED. I.E. FDOT TYPE No. 57 FOR FENCED COMPOUND; FDOT TYPE No. 67 FOR ACCESS DRIVE AREA.
- IN ALL AREAS TO RECEIVE FILL, REMOVE ALL VEGETATION, TOPSOIL, DEBRIS, WET AND UNSATISFACTORY SOIL MATERIALS, OBSTRUCTIONS, AND DELETERIOUS MATERIALS FROM GROUND SURFACE. PLOW STRIP OR BREAK UP SLOPED SURFACES STEEPER THAN 1 VERTICAL TO 4 HORIZONTAL SUCH THAT FILL MATERIAL WILL BIND WITH EXISTING/PREPARED SOIL SURFACE.
- WHEN SUB GRADE OR PREPARED GROUND SURFACE HAS A DENSITY LESS THAN THAT REQUIRED FOR THE FILL MATERIAL, SCARIFY THE GROUND SURFACE TO DEPTH REQUIRED, PULVERIZE, MOISTURE-CONDITION AND/OR AERATE THE SOILS AND RE-COMPACT TO THE REQUIRED DENSITY PRIOR TO PLACEMENT OF FILLS.
- IN AREAS WHICH EXISTING GRAVEL SURFACING IS REMOVED OR DISTURBED DURING CONSTRUCTION OPERATIONS, REPLACE GRAVEL SURFACING TO MATCH ADJACENT GRAVEL SURFACING AND RESTORE TO THE SAME THICKNESS AND COMPACTION AS SPECIFIED. ALL RESTORED GRAVEL SURFACING SHALL BE FREE FROM CORRUGATIONS AND WAVES.
- EXISTING GRAVEL SURFACING MAY BE EXCAVATED SEPARATELY AND REUSED WITH THE CONDITION THAT ANY UNFAVORABLE AMOUNTS OF ORGANIC MATTER, OR OTHER DELETERIOUS MATERIALS ARE REMOVED PRIOR TO REUSE. FURNISH ANY ADDITIONAL GRAVEL RESURFACING MATERIAL AS NEEDED TO PROVIDE A FULL DEPTH COMPACTED SURFACE THROUGHOUT SITE.
- GRAVEL SUB SURFACE SHALL BE PREPARED TO REQUIRED COMPACTION AND SUB GRADE ELEVATIONS BEFORE GRAVEL SURFACING IS PLACED AND/OR RESTORED. ANY LOOSE OR DISTURBED MATERIALS SHALL BE THOROUGHLY COMPACTED AND ANY DEPRESSIONS IN THE SUB GRADE SHALL BE FILLED AND COMPACTED WITH APPROVED SELECTED MATERIAL. GRAVEL SURFACING MATERIAL SHALL NOT BE USED FOR FILLING DEPRESSIONS IN THE SUB GRADE.
- PROTECT EXISTING GRAVEL SURFACING AND SUB GRADE IN AREAS WHERE EQUIPMENT LOADS WILL OPERATE.
- DAMAGE TO EXISTING STRUCTURES AND/OR UTILITIES RESULTING FROM CONTRACTORS NEGLIGENCE SHALL BE REPAIRED AND/OR REPLACED TO THE OWNERS SATISFACTION AT NO ADDITIONAL COST TO THE CONTRACT.
- ALL SUITABLE BORROW MATERIAL FOR BACK FILL OF THE SITE SHALL BE INCLUDED IN THE BID. EXCESS TOPSOIL AND UNSUITABLE MATERIAL SHALL BE DISPOSED OF OFF SITE AT LOCATIONS APPROVED BY GOVERNING AGENCIES AT NO ADDITIONAL COST TO THE CONTRACT.

ENVIRONMENTAL NOTES

- ALL WORK PERFORMED SHALL BE DONE IN ACCORDANCE WITH ISSUED PERMITS. THE CONTRACTOR SHALL BE RESPONSIBLE FOR PAYMENT OF FINES AND PROPER CLEAN UP FOR AREAS IN VIOLATION.
- CONTRACTOR AND/OR DEVELOPER SHALL BE RESPONSIBLE FOR CONSTRUCTION AND MAINTENANCE OF EROSION AND SEDIMENTATION CONTROLS DURING CONSTRUCTION FOR PROTECTION OF ADJACENT PROPERTIES, ROADWAYS AND WATERWAYS AND SHALL BE MAINTAINED IN PLACE THROUGH FINAL JURISDICTIONAL INSPECTION & RELEASE OF SITE.
- CONTRACTOR SHALL INSTALL/CONSTRUCT ALL NECESSARY SEDIMENT/SILT CONTROL FENCING AND PROTECTIVE MEASURES WITHIN THE LIMITS OF SITE DISTURBANCE PRIOR TO CONSTRUCTION.
- NO SEDIMENT SHALL BE ALLOWED TO EXIT THE PROPERTY. THE CONTRACTOR IS REPSONIBLE FOR TAKING ADEQUATE MEASURES FOR CONTROLLING EROSION. ADDITIONAL SEDIMENT CONTROL FENCING MAY BE REQUIRED IN ANY AREAS SUBJECT TO EROSION.
- THE CONTRACTOR IS RESPONSIBLE FOR MAINTAINING POSITIVE DRAINAGE ON THE SITE AT ALL TIMES WITH SILT AND EROSION CONTROL MEASURES MAINTAINED ON THE DOWNSTREAM SIDE OF SITE DRAINAGE. ANY DAMAGE TO ADJACENT PROPERTY AS A RESULT OF EROSION WILL BE CORRECTED AT THE CONTRACTORS EXPENSE.
- CONTRACTOR SHALL BE RESPONSIBLE FOR DAILY INSPECTIONS AND ANY REPAIRS OF ALL SEDIMENT CONTROL MEASURES INCLUDING SEDIMENT REMOVAL AS NECESSARY.
- CLEARING OF VEGETATION AND TREE REMOVAL SHALL BE ONLY AS PERMITTED AND BE HELD TO A MINIMUM. ONLY TREES NECESSARY FOR CONSTRUCTION OF THE FACILITIES SHALL BE REMOVED.
- SEEDING SAND MULCHING AND/OR SODDING OF THE SITE WILL BE ACCOMPLISHED AS SOON AS POSSIBLE AFTER COMPLETION OF THE PROJECT FACILITIES AFFECTING LAND DISTURBANCE.
- CONTRACTOR SHALL PROVIDE ALL EROSION AND SEDIMENTATION CONTROL MEASURES AS REQUIRED BY LOCAL, COUNTY AND STATE CODES AND ORDINANCES TO PROTECT EMBANKMENTS FROM SOIL LOSS AND TO PREVENT ACCUMULATION OF SOIL AND SILT IN STREAMS AND DRAINAGE PATHS LEAVING THE CONSTRUCTION AREA. THIS MAY INCLUDE SUCH MEASURES AS SILT FENCES, STRAW BALE SEDIMENT BARRIERS, AND CHECK DAMS.
- RIP RAP OF SIZES INDICATED SHALL CONSIST OF CLEAN, HARD, SOUND, DURABLE, UNIFORM IN QUALITY STONE FREE OF ANY DETRIMENTAL QUANTITY OF SOFT, FRIABLE, THIN, ELONGATED OR LAMINATED PIECES, DISINTEGRATED MATERIAL, ORGANIC MATTER, OIL, ALKALI, OR OTHER DELETERIOUS SUBSTANCES.

STRUCTURAL STEEL NOTES

- ALL STEEL WORK SHALL BE IN ACCORDANCE WITH THE LATEST EDITION OF THE AISC MANUAL OF STEEL CONSTRUCTION. STEEL SECTIONS SHALL BE IN ACCORDANCE WITH ASTM AS INDICATED BELOW:
W-SHAPES: ASTM A992, 50 KSI
ANGLES, BARS CHANNELS: ASTM A36, 36 KSI
HSS SECTIONS: ASTM 500, 46 KSI
PIPE SECTIONS: ASTM A53-E, 35 KSI
- ALL EXTERIOR EXPOSED STEEL AND HARDWARE SHALL BE HOT DIPPED GALVANIZED.
- ALL WELDING SHALL BE PERFORMED USING E70XX ELECTRODES AND WELDING SHALL CONFORM TO AISC. WHERE FILLET WELD SIZES ARE NOT SHOWN, PROVIDE THE MINIMUM SIZE PER TABLE J2.4 IN THE AISC "MANUAL OF STEEL CONSTRUCTION". PAINTED SURFACES SHALL BE TOUCHED UP.
- NON-STRUCTURAL CONNECTIONS FOR STEEL GRATING MAY USE 5/8"Ø ASTM A 307 BOLTS UNLESS NOTED OTHERWISE.
- FIELD MODIFICATIONS ARE TO BE COATED WITH ZINC ENRICHED PAINT.

CONCRETE MASONRY NOTES

- CONCRETE MASONRY UNITS SHALL BE MEDIUM WEIGHT UNITS CONFORMING TO ASTM C90, GRADE N-1, (F'M=1,500 PS). MEDIUM WEIGHT (115 PCF).
- MORTAR SHALL BE TYPE "S" (MINIMUM 1,800 PSI AT 28 DAYS).
- GROUT SHALL HAVE A MINIMUM COMPRESSIVE STRENGTH OF 3,000 PSI AT 28 DAYS.
- ALL CELLS CONTAINING REINFORCING STEEL OR EMBEDDED ITEMS AND ALL CELLS IN RETAINING WALLS AND WALLS BELOW GRADE SHALL BE SOLID GROUDED.
- ALL HORIZONTAL REINFORCEMENT SHALL BE PLACED IN BOND BEAM OR UNTEL BEAM UNITS.
- WHEN GROUTTING IS STOPPED FOR ONE HOUR OR LONGER, HORIZONTAL CONSTRUCTION JOINTS SHALL BE FORMED BY STOPPING THE GROUT POUR 1-1/2" BELOW TOP OF THE UPPERMOST UNIT.
- ALL BOND BEAM BLOCK SHALL BE "DEEP CUT" UNITS.
- PROVIDE INSPECTION AND CLEAN-OUT HOLES AT BASE OF VERTICAL CELLS HAVING GROUT LIFTS IN EXCESS OF 4'-0" OF HEIGHT.
- ALL GROUT SHALL BE CONSOLIDATED WITH A MECHANICAL VIBRATOR.
- CEMENT SHALL BE AS SPECIFIED FOR CONCRETE.
- REINFORCING BARS - SEE NOTES UNDER "STRUCTURAL CONCRETE NOTES" FOR REQUIREMENTS.
- PROVIDE ONE BAR DIAMETER (A MINIMUM OF 1/2") GROUT BETWEEN MAIN REINFORCING AND MASONRY UNITS.
- LOW LIFT CONSTRUCTION, MAXIMUM GROUT POUR HEIGHT IS 4 FEET.
- HIGH LIFT GROUDED CONSTRUCTION MAY BE USED IN CONFORMANCE WITH PROJECT SPECIFICATIONS AND SECTION 2104.6.1 OF U.B.C.
- ALL CELLS IN CONCRETE BLOCKS SHALL BE FILLED SOLID WITH GROUT, EXCEPT AS NOTED IN THE DRAWINGS OR SPECIFICATIONS.
- CELLS SHALL BE IN VERTICAL ALIGNMENT, DOWELS IN FOOTINGS SHALL BE SET TO ALIGN WITH CORES CONTAINING REINFORCING STEEL.
- REFER TO ARCHITECTURAL DRAWINGS FOR SURFACE AND HEIGHT OF UNITS, LAYING PATTERN AND JOINT TYPE.
- SAND SHALL BE CLEAN, SHARP AND WELL GRADED, FREE FROM INJURIOUS AMOUNTS OF DUST, LUMPS, SHALE, ALKAU OR ORGANIC MATERIAL.
- BRICK SHALL CONFORM TO ASTM C-62 AND SHALL BE GRADE MW OR BETTER.

STRUCTURAL CONCRETE NOTES

- ALL CONCRETE WORK SHALL BE IN ACCORDANCE WITH THE ACI 301-05, ACI 318-05 AND THE SPECIFICATION FOR CAST-IN-PLACE CONCRETE.
- ALL CONCRETE SHALL HAVE A MINIMUM COMPRESSIVE STRENGTH $f_c' = 3,000$ PSI AT 28 DAYS UNLESS NOTED OTHERWISE.
- REINFORCING STEEL SHALL CONFORM TO ASTM A 615, GRADE 60, DEFORMED UNLESS NOTED OTHERWISE. WELDED WIRE FABRIC SHALL CONFORM TO ASTM A 185 WELDED STEEL WIRE FABRIC UNLESS NOTED OTHERWISE. SPLICES CLASS "B" AND ALL HOOKS SHALL BE STANDARD UNLESS NOTED OTHERWISE.
- THE FOLLOWING MINIMUM CONCRETE COVER SHALL BE PROVIDED FOR REINFORCING STEEL UNLESS SHOWN OTHERWISE ON DRAWINGS:
CONCRETE CAST AGAINST EARTH.....3 IN.
CONCRETE EXPOSED TO EARTH OR WEATHER:
#5 AND LARGER.....2 IN.
#5 AND SMALLER & WWF.....1 1/2 IN.
CONCRETE NOT EXPOSED TO EARTH OR WEATHER OR NOT CAST AGAINST THE GROUND:
SLAB AND WALL.....3/4 IN.
BEAMS AND COLUMNS.....1 1/2 IN.
- A 3/4" CHAMFER SHALL BE PROVIDED AT ALL EXPOSED EDGES OF CONCRETE U.N.O. IN ACCORDANCE WITH ACI 301 SECTION 4.2.4
- HOLES TO RECEIVE EXPANSION/WEDGE ANCHORS SHALL BE 1/8" LARGER IN DIAMETER THAN THE ANCHOR BOLT, DOWEL OR ROD AND SHALL CONFORM TO MANUFACTURER'S RECOMMENDATION FOR EMBEDMENT DEPTH OR AS SHOWN ON THE DRAWINGS. LOCATE AND AVOID CUTTING EXISTING REBAR WHEN DRILLING HOLES IN ELEVATED CONCRETE SLABS.
- USE AND INSTALLATION OF CONCRETE EXPANSION/WEDGE ANCHOR, SHALL BE PER ICBO & MANUFACTURER'S WRITTEN RECOMMENDED PROCEDURES.

WEATHERPROOFING NOTES

- STANDARD CONSTRUCTION SPECIFICATIONS FOR WIRELESS SITES
- WEATHERPROOFING CONNECTORS AND GROUND KITS:
 - ALL CONNECTORS AND GROUND KITS SHALL BE WEATHERPROOFED USING BUTYL RUBBER WEATHERPROOFING AND TAPE. THIS INSTALLATION MUST BE DONE IN ACCORDANCE WITH THE MANUFACTURER'S RECOMMENDATION OR AS SHOWN ON THE CONSTRUCTION DRAWINGS (WHICHEVER IS GREATER). IF NO DIRECTION IS PROVIDED, WEATHERPROOFING MUST BE DONE PER THE FOLLOWING INSTRUCTIONS.
 - THE COAXIAL CABLE CONNECTION OR GROUND KIT CAN BE ENCOMPASSED INTO COLD SHRINK AND COMPLETELY WRAPPED WITH 2 INCH WIDE ELECTRICAL TAPE OVERLAPPING EACH ROW BY APPROXIMATELY 1/2 INCH AND EXTENDING PAST THE CONNECTION BY TWO INCHES AS DISCUSSED BELOW; OR
 - THE COAXIAL CABLE CONNECTION OR GROUND KIT CAN BE WRAPPED WITH LAYERS OF ELECTRICAL/BUTYL RUBBER/ELECTRICAL TAPE AS DISCUSSED BELOW; OR
 - THE COAXIAL CABLE CONNECTION OR GROUND KIT CAN BE WRAPPED WITH TWO LAYERS OF 1.5 INCH WIDE SELF-AMALGAMATING TAPE COVERED WITH TWO LAYERS OF ELECTRICAL TAPE AS DISCUSSED BELOW.
 - COLD SHRINK INSTALLATION PROCEDURE:
 - REQUIRED MATERIAL: COLD SHRINK TUBE, SPACERS AS NEEDED, BLACK ELECTRICAL TAPE-2 INCHES WIDE
 - REQUIRED TOOLS: KNIFE AND TAPE MEASURE

STEP 1: THOROUGHLY CLEAN AND DRY THE SURFACE OF COAXIAL CABLE AND CONNECTOR TO REMOVE ALL GREASE AND DIRT. MARK THE MAIN FEED (LARGER DIAMETER) COAXIAL CABLE AT LEAST TWO INCHES ABOVE THE CONNECTION AS THE SPECIFIED START DIMENSION FOR THE COLD SHRINK.

STEP 2: SLIDE THE COLD SHRINK TUBE OVER THE PRE-CONNECTORIZED END OF THE LARGER DIAMETER COAXIAL CABLE PRIOR TO MATING CONNECTOR INTERFACES. MAKE THE CONNECTION.

STEP 3: REMOVE WAX PAPER FROM A SPACER HALF AND PRESS ONTO COAXIAL CABLE DIRECTLY BEHIND THE CONNECTOR. REMOVE THE WAX PAPER FROM THE OTHER SPACER HALF AND ALIGN THE TWO SPACER HALVES WITH ADHESIVE PORTIONS FACING EACH OTHER. PRESS THE SPACER HALVES TOGETHER. THE SPACER WILL BE PLACED NEXT TO THE CONNECTOR ON THE SMALLER DIAMETER COAXIAL CABLE SIDE.

STEP 4: SLIDE THE COLD SHRINK TUBE OVER THE CONNECTION TO THE SPECIFIED START DIMENSION MARK. HOLD THE COLD SHRINK TUBE AND COAXIAL CABLE IN ONE HAND SO THAT THE EDGE OF COLD SHRINK TUBE IS IN LINE WITH THE MARK.

STEP 5: WITH YOUR FREE HAND, BEGIN REMOVING COLD SHRINK TUBE CORE. THE CORE WILL BE REMOVED BY UNWINDING IN A COUNTERCLOCKWISE DIRECTION WHILE LIGHTLY PULLING THE ATTACHED CORD AWAY FROM THE TUBE.

STEP 6: USE BOTH HANDS TO CONTINUE THE UNWINDING PROCESS AS THE COLD SHRINK TUBE BEGINS TO COLLAPSE INTO POSITION. CONTINUE THE UNWINDING PROCESS UNTIL THE CORE IS COMPLETELY REMOVED AND THE COLD SHRINK TUBE IS INSTALLED.

STEP 7: EXCESS COLD SHRINK TUBE EXTENDING TWO INCHES BEYOND THE SPACER HALVES CAN BE REMOVED OR LEFT IN PLACE. EXCESS COLD SHRINK TUBE CAN BE CAREFULLY CUT OFF WITH A KNIFE.

STEP 8: WRAP OVER THE COLD SHRINK TUBE WITH ONE LAYER OF BLACK ELECTRICAL TAPE 2 INCH WIDTH OVERLAPPING EACH ROW BY 1/2 INCH. THIS TOP LAYER MUST BE WRAPPED USING A SHINGLED EFFECT. THE LAYER SHALL BE WRAPPED SO THAT THE ENDS ARE IN THE UPWARD DIRECTION CREATING A SHINGLED EFFECT WITH THE TAPE SO WATER WILL BE REPELLED AND NOT ALLOWED TO COLLECT AND POOL. THIS TOP LAYER OF ELECTRICAL TAPE MUST EXTEND TWO INCHES (THE TAPE WIDTH) PAST THE COLD SHRINK TUBE ONTO THE UNDERLYING CABLE. TAPE SHALL BE WRAPPED SO THAT NO VOIDS OR AIR PACKETS ARE PRESENT. TAPE SHALL BE CUT WITH A SHARP KNIFE.
 - BUTYL RUBBER TAPE INSTALLATION PROCEDURE:
 - REQUIRED MATERIAL: BLACK ELECTRICAL TAPE-2 INCH WIDE AND BUTYL RUBBER TAPE 2 TO 3 INCHES WIDE.
 - REQUIRED TOOLS: KNIFE OR SCISSORS.

STEP 1: THOROUGHLY CLEAN AND DRY THE SURFACE OF COAXIAL CABLE AND CONNECTOR TO REMOVE ALL GREASE AND DIRT. WRAP CONNECTOR/GROUND KIT WITH TWO LAYERS OF BLACK ELECTRICAL TAPE-2 INCH WIDTH OVERLAPPING EACH ROW BY APPROXIMATELY 1/2 INCH. THESE LAYERS OF TAPE MUST BE WRAPPED TIGHT ENOUGH SO THAT NO VOIDS OR AIR POCKETS ARE PRESENT AND MUST EXTEND ONE INCH PAST THE CONNECTOR/GROUND KIT ON EACH SIDE. TWO ROWS SHALL BE APPLIED, ONE IN EACH DIRECTION, WITH THE TOP ROW SHINGLED TO PROMOTE WATER RUNOFF.

STEP 2: WRAP CONNECTOR/GROUND KIT WITH ONE LAYER OF BUTYL RUBBER TAPE (2 TO 3 INCHES WIDTH) OVER THE BLACK ELECTRICAL TAPE OVERLAPPING EACH ROW BY APPROXIMATELY 1/2 INCH. THE BUTYL RUBBER TAPE MUST EXTEND 2 TO 3 INCHES (THE TAPE WIDTH) PAST THE ELECTRICAL TAPE AND COME IN GOOD CONTACT WITH THE UNDERLYING CABLE. ON CONNECTORS, WHEN WEATHERPROOFING FROM THE MAIN LINE TO THE JUMPER, BUILD UP THIS AREA WITH EXTRA BUTYL RUBBER TAPE TO INSURE A SMOOTH TRANSITION FREE OF VOIDS AND AIR POCKETS DOWN TO THE SMALLER DIAMETER CABLE.

STEP 3: WRAP CONNECTOR/GROUND KIT WITH TWO LAYERS OF BLACK ELECTRICAL TAPE 2 INCH WIDTH OVERLAPPING EACH ROW BY 1 INCH. THESE LAST TWO LAYERS MUST BE WRAPPED USING A SHINGLED EFFECT. THE TOP LAYER SHALL BE WRAPPED SO THAT THE ENDS ARE IN THE UPWARD DIRECTION CREATING A SHINGLED EFFECT WITH THE TAPE SO WATER WILL BE REPELLED AND NOT ALLOWED TO COLLECT AND POOL. THESE TOP LAYERS OF ELECTRICAL TAPE MUST EXTEND TWO INCHES (THE TAPE WIDTH) PAST THE BUTYL RUBBER TAPE ONTO THE UNDERLYING CABLE.

ALL LAYERS OF TAPE SHALL BE WRAPPED SO THAT NO VOIDS OR AIR POCKETS ARE PRESENT. THE LAST WRAP OF TAPE SHALL NOT BE PULLED OR STRETCHED. ALL TAPE SHALL BE CUT WITH A SHARP KNIFE OR SCISSORS.
 - SELF-AMALGAMATING TAPE INSTALLATION PROCEDURE:
 - REQUIRED MATERIAL: SELF-AMALGAMATING TAPE -1.5 INCHES WIDE AND BLACK ELECTRICAL TAPE - 2 INCHES WIDE.
 - REQUIRED TOOLS: KNIFE OR SCISSORS.

STEP 1: THOROUGHLY CLEAN AND DRY THE SURFACE OF COAXIAL CABLE AND CONNECTOR TO REMOVE ALL GREASE AND DIRT.

STEP 2: START WRAPPING SELF-AMALGAMATING TAPE ON THE CABLE AT LEAST 2 INCHES FROM THE CONNECTOR/GROUND KIT. MAKE SURE TAPE IS STRETCHED TIGHT DURING THIS APPLICATION.

STEP 3: WHILE STRETCHING TAPE, MAKE ONE WRAP OF THE TAPE AROUND THE CABLE, MAKING SURE THE TAPE IS WRAPPED ONTO ITSELF. THE TAPE WILL ONLY ADHERE TO ITSELF.

STEP 4: CONTINUE WRAPPING THE CABLE AND CONNECTOR/GROUND KIT USING HALF OVERLAP (0.75 INCH WIDE) LAYERS.

STEP 5: WRAP OVER AND PAST THE CONNECTOR/GROUND KIT AT LEAST 2 INCHES.

STEP 6: TO TERMINATE THE SELF-AMALGAMATING TAPE, WRAP THE TAPE AT LEAST ONE FULL ROUND OVER THE CABLE STRETCHING THE TAPE TIGHT. CUT THE TAPE USING KNIFE OR SCISSORS AND APPLY THE LOOSE END TO THE UNDERLYING SELF-AMALGAMATING TAPE USING THUMB PRESSURE.

STEP 7: TWO ROWS OF SELF-AMALGAMATING TAPE SHALL BE APPLIED IN THIS MANNER, IN ALTERNATING DIRECTIONS. THE TOP LAYER SHALL BE WRAPPED SO THAT THE ENDS ARE IN AN UPWARD DIRECTION CREATING A SHINGLED EFFECT WITH THE TAPE SO WATER WILL BE REPELLED.

STEP 8: WRAP OVER SELF-AMALGAMATING TAPE WITH TWO LAYERS OF BLACK ELECTRICAL TAPE- 2 INCH WIDTH OVERLAPPING EACH ROW BY 1 INCH. THESE TOP TWO LAYERS MUST ALSO BE WRAPPED USING A SHINGLED EFFECT. THE LAYERS SHALL BE WRAPPED SO THAT THE ENDS ARE IN THE UPWARD DIRECTION CREATING A SHINGLED EFFECT WITH THE TAPE SO WATER WILL BE REPELLED AND NOT ALLOWED TO COLLECT AND POOL. THESE TOP LAYERS OF ELECTRICAL TAPE MUST EXTEND TWO INCHES (THE TAPE WIDTH) PAST THE SELF-AMALGAMATING TAPE ONTO THE UNDERLYING CABLE. ALL LAYERS OF TAPE SHALL BE WRAPPED SO THAT NO VOIDS OR AIR POCKETS ARE PRESENT. THE LAST WRAP OF TAPE SHALL NOT BE PULLED OR STRETCHED. ALL TAPE SHALL BE CUT WITH A SHARP KNIFE OR SCISSORS.

PREPARED FOR:



1301 EAST LOOKOUT DRIVE
RICHARDSON, TX 75082-4124

GENERAL DYNAMICS
WIRELESS SERVICES

REV.	DATE	REVISION DESCRIPTION	DRAWN BY	CHKD. BY
1	03-22-13	100% CONSTRUCTION DRAWINGS	JM	JR
0	03-19-13	100% CONSTRUCTION DRAWINGS	JM	JR
A	12-17-12	90% CONSTRUCTION DRAWINGS	MM	JR

CONSULTANT:



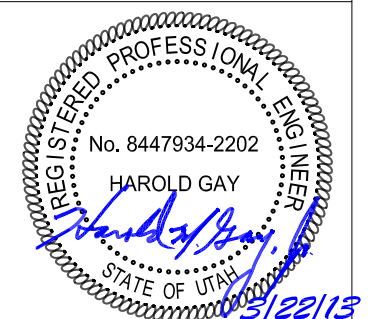
960 WEST ELLIOT ROAD
SUITE 116
TEMPE, AZ 85284



CONSULTANT:



215 WEST MAIN STREET
MESQUITE, TX 75149
PHONE: 972.290.0716

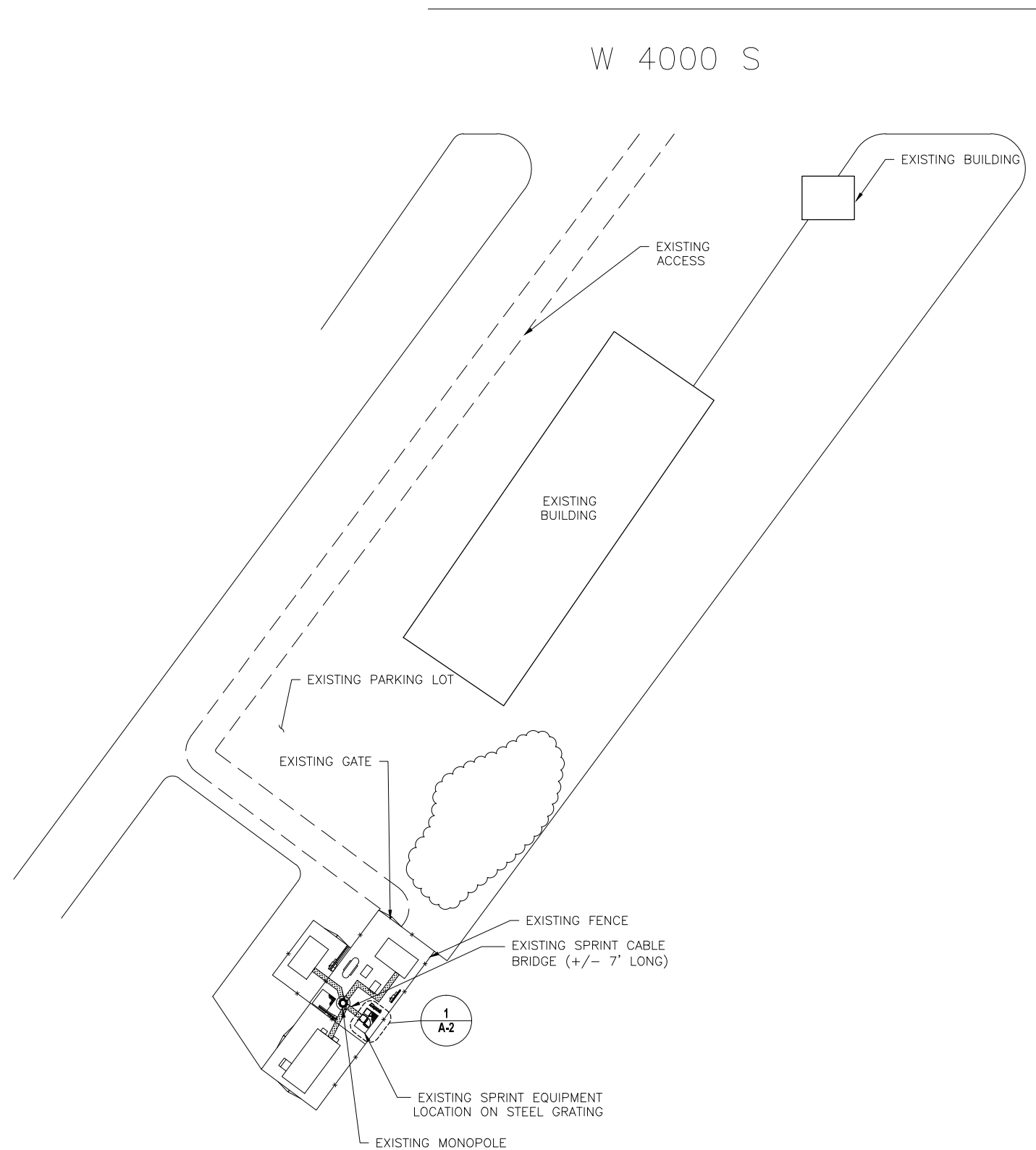
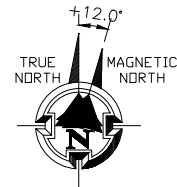


NETWORK VISION MIMBS LAUNCH
KWIK CITY MUFLER
SL03XC136
CROWN CASTLE BU# 880534
2449 WEST 4000 SOUTH
ROY, UT 84067
WEBER COUNTY

DRAWN BY:	CHECKED BY:	DATE:
MM	JR	12-17-12

SHEET TITLE:
GENERAL NOTES

SHEET NUMBER:	REV.:
N-2	1



22"x34" SCALE: 1" = 30'-0"
 11"x17" SCALE: 1" = 60'-0"



THIS IS NOT A SITE SURVEY.
 ALL PROPERTY BOUNDARIES, ORIENTATION OF TRUE NORTH AND STREET HALF-WIDTHS HAVE BEEN OBTAINED FROM A TAX PARCEL MAP AND ARE APPROXIMATE.

PREPARED FOR:

Sprint

SAMSUNG

1301 EAST LOOKOUT DRIVE
 RICHARDSON, TX 75082-4124

GENERAL DYNAMICS
 WIRELESS SERVICES

1	03-22-13	100% CONSTRUCTION DRAWINGS	JM	JR
0	03-19-13	100% CONSTRUCTION DRAWINGS	JM	JR
A	12-17-12	90% CONSTRUCTION DRAWINGS	MM	JR
REV.	DATE	REVISION DESCRIPTION	DRAWN BY	CHKD. BY

CONSULTANT:



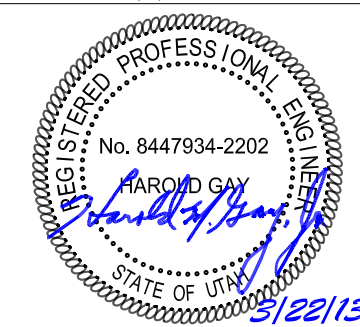
960 WEST ELLIOT ROAD
 SUITE 116
 TEMPE, AZ 85284



CONSULTANT:



215 WEST MAIN STREET
 MESQUITE, TX 75149
 PHONE: 972.290.0716

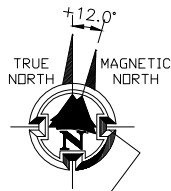


NETWORK VISION MIMBS LAUNCH
KWIK CITY MUFLER
SL03XC136
 CROWN CASTLE BU# 880534
 2449 WEST 4000 SOUTH
 ROY, UT 84067
 WEBER COUNTY

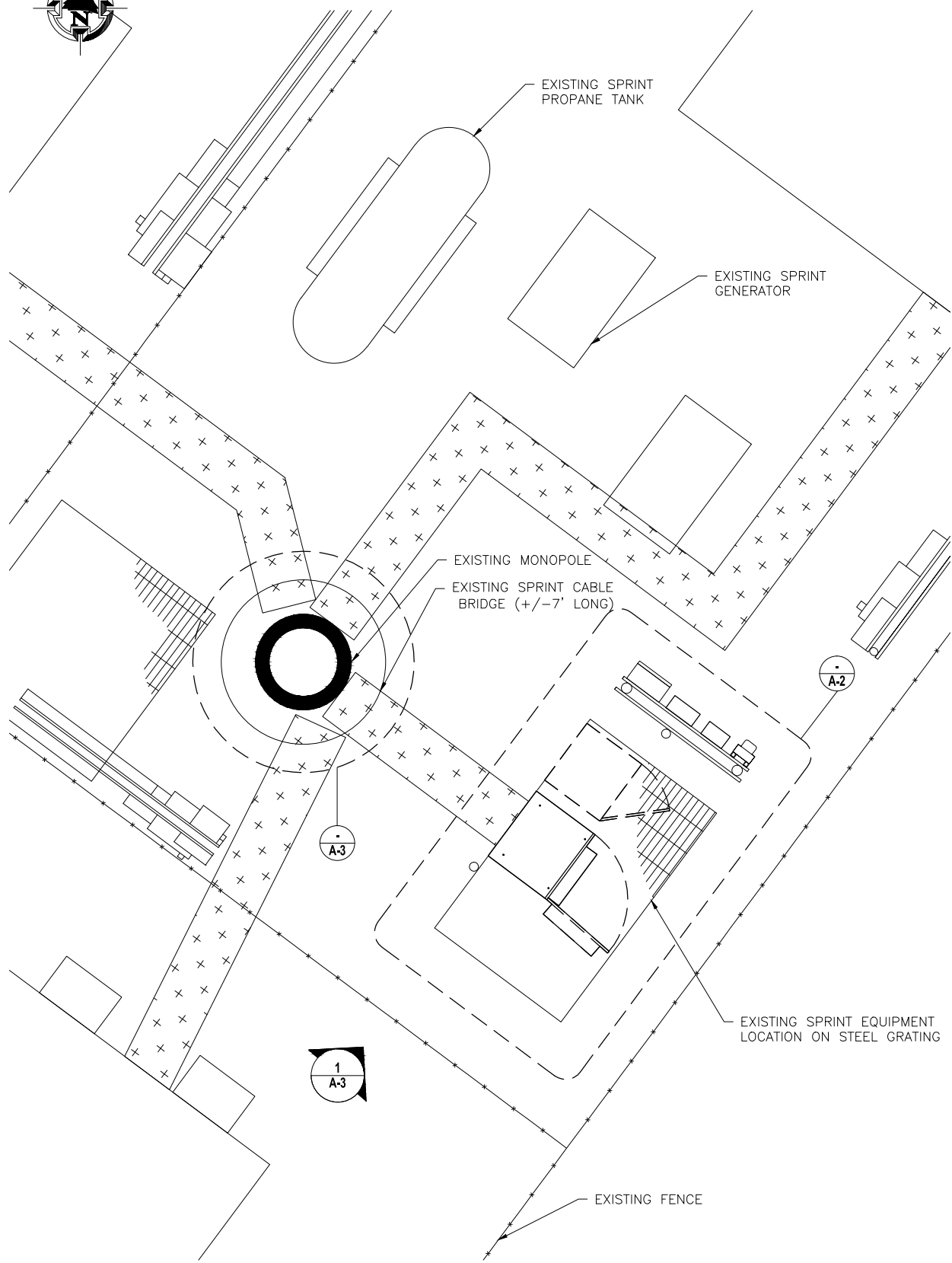
DRAWN BY:	CHECKED BY:	DATE:
MM	JR	12-17-12

SHEET TITLE:
OVERALL SITE PLAN

SHEET NUMBER:	REV.:
A-1	1

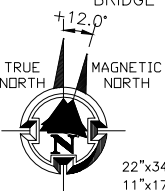
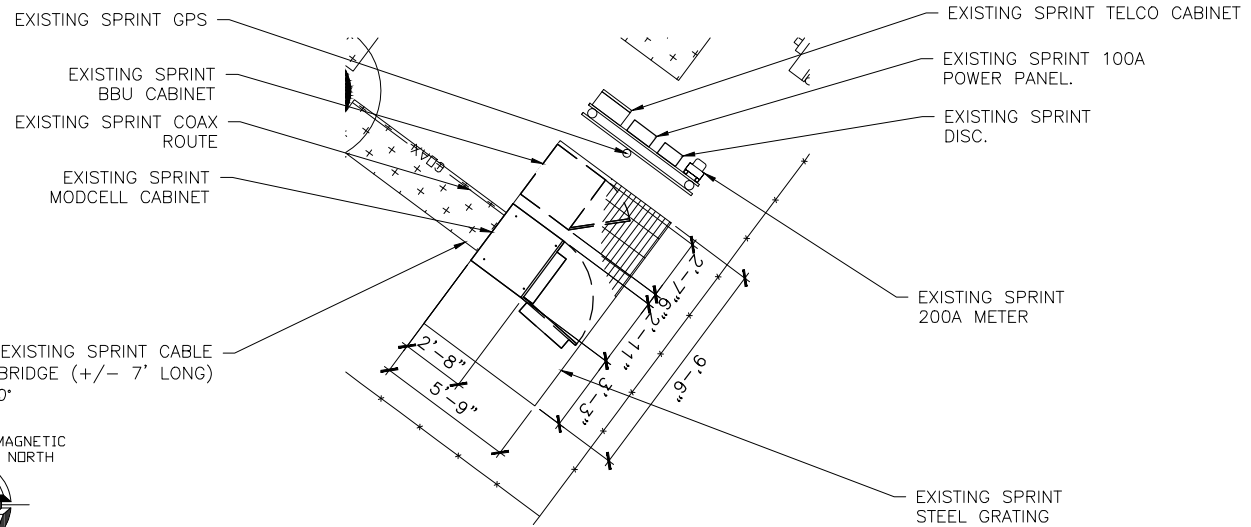


NOTE: CONTRACTOR TO OBTAIN A STRUCTURAL ANALYSIS AND SIGNED AND SEALED CONSTRUCTION DRAWINGS PRIOR TO CONSTRUCTION.



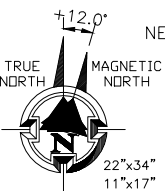
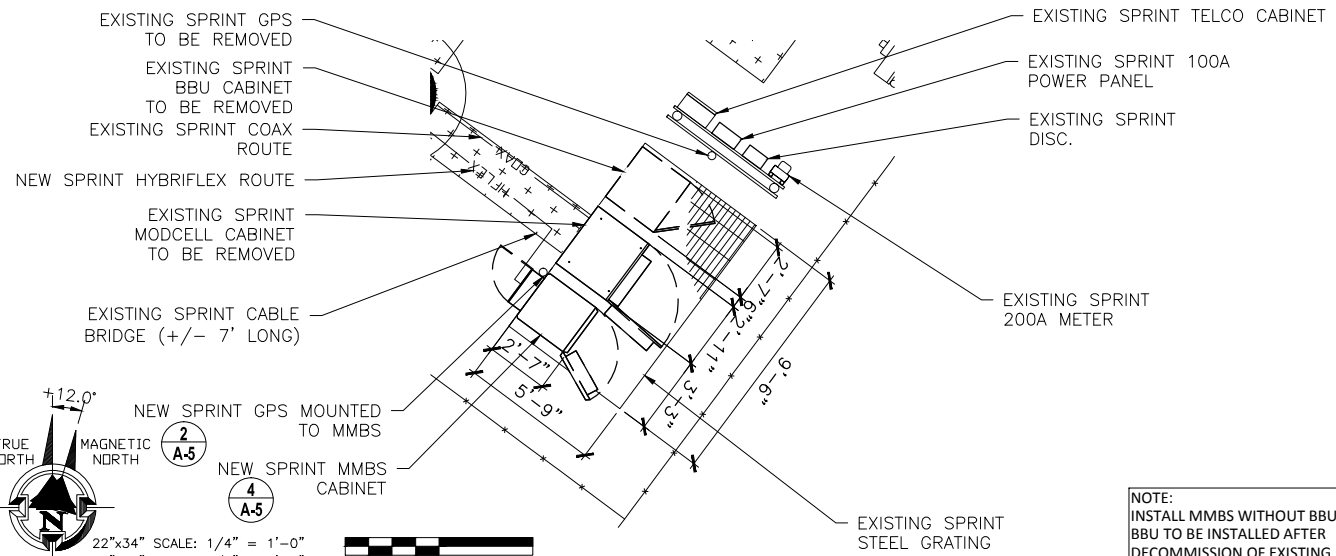
22"x34" SCALE: 3/8" = 1'-0"
11"x17" SCALE: 3/16" = 1'-0"

1 COMPOUND PLAN - EXISTING



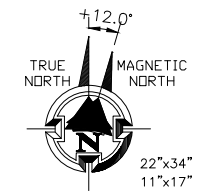
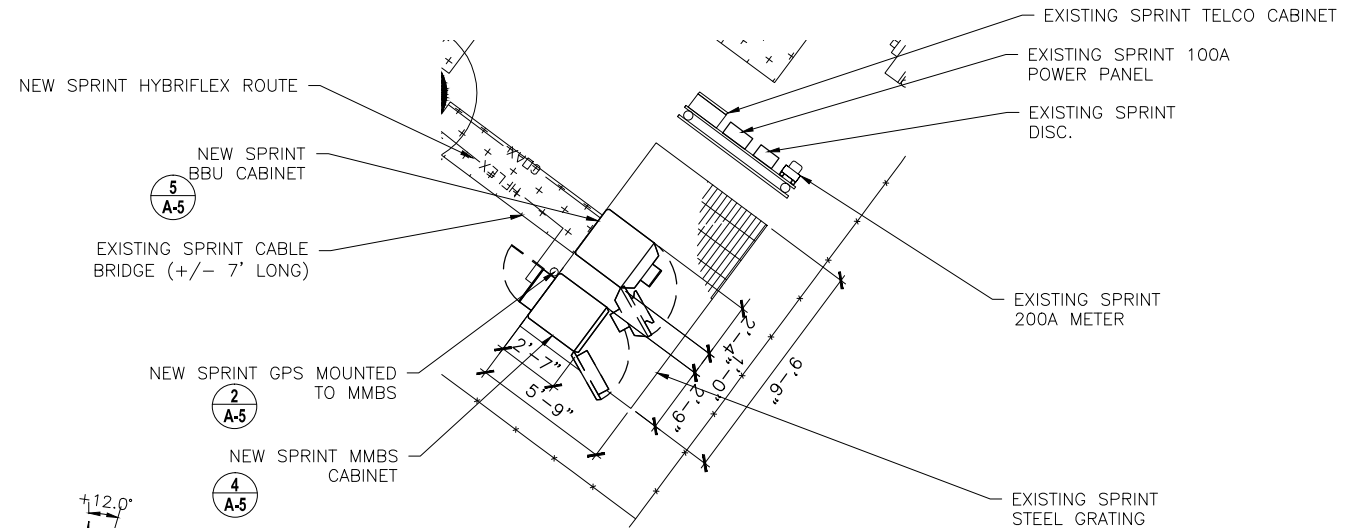
22"x34" SCALE: 1/4" = 1'-0"
11"x17" SCALE: 1/8" = 1'-0"

2 EXISTING EQUIPMENT PLAN



22"x34" SCALE: 1/4" = 1'-0"
11"x17" SCALE: 1/8" = 1'-0"

3 INTERIM EQUIPMENT PLAN



22"x34" SCALE: 1/4" = 1'-0"
11"x17" SCALE: 1/8" = 1'-0"

4 FINAL EQUIPMENT PLAN

NOTE:
1. CONTRACTOR TO REPLACE ALL MISSING GROUND BARS AND GROUNDING CONNECTIONS AS REQUIRED.

EXISTING ITEMS TO BE REMOVED	
CDMA ANTENNA	(6 TOTAL, 2 PER SECTOR)
CDMA CABINET	1
BBU CABINET	1
COAX CABLE	(6 TOTAL, 2 PER SECTOR)

PREPARED FOR:

Sprint

SAMSUNG

1301 EAST LOOKOUT DRIVE
RICHARDSON, TX 75082-4124

GENERAL DYNAMICS
WIRELESS SERVICES

REV.	DATE	REVISION DESCRIPTION	DRAWN BY	CHKD. BY
1	03-22-13	100% CONSTRUCTION DRAWINGS	JM	JR
0	03-19-13	100% CONSTRUCTION DRAWINGS	JM	JR
A	12-17-12	90% CONSTRUCTION DRAWINGS	MM	JR

CONSULTANT:



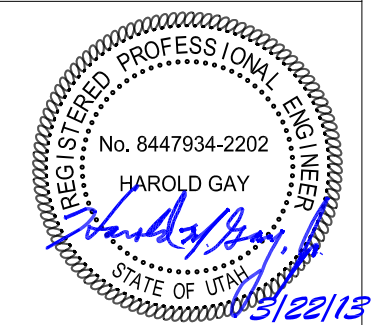
960 WEST ELLIOT ROAD
SUITE 116
TEMPE, AZ 85284



CONSULTANT:



215 WEST MAIN STREET
MESQUITE, TX 75149
PHONE: 972.290.0716

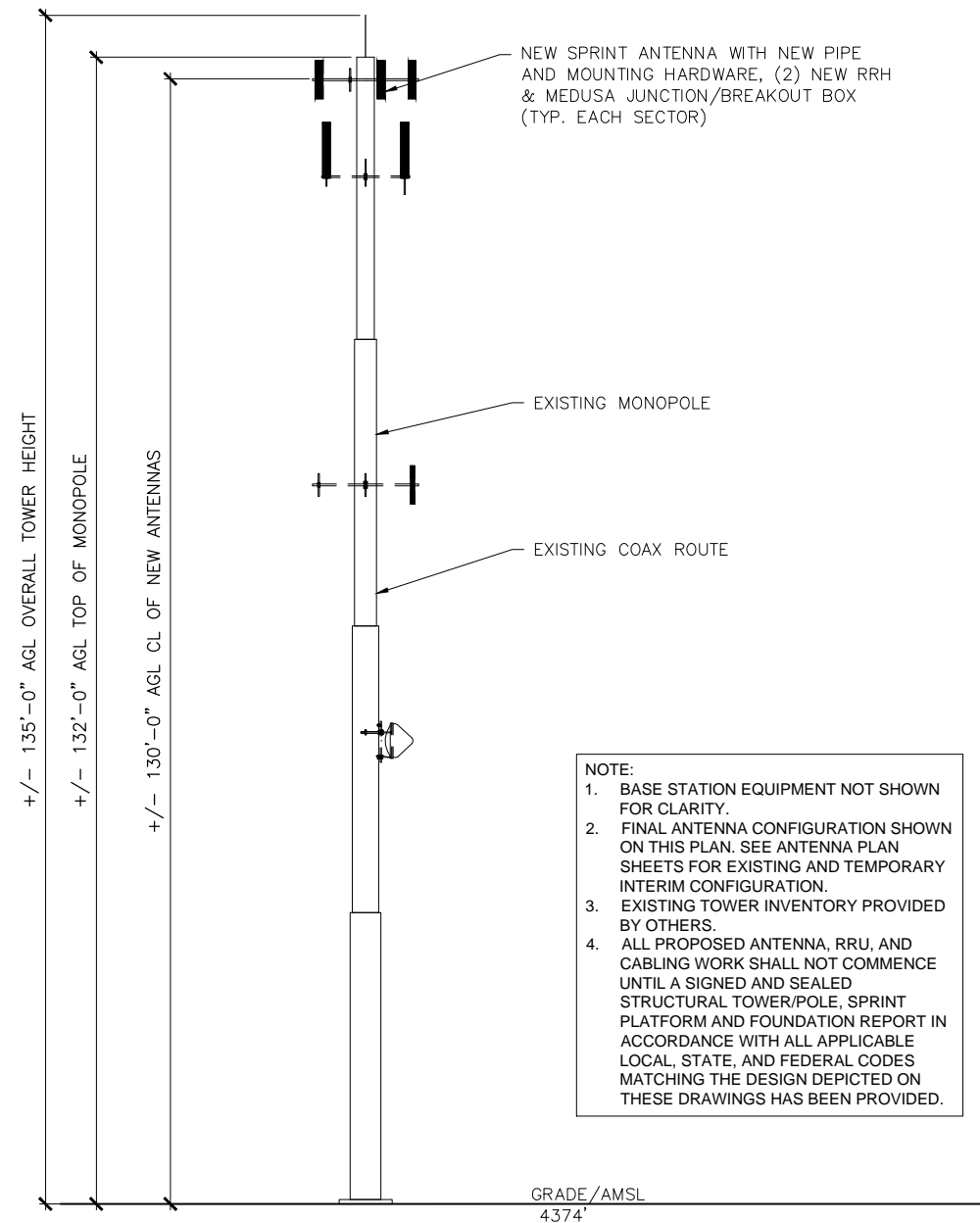


NETWORK VISION MMBS LAUNCH
KWIK CITY MUFLER
SL03XC136
CROWN CASTLE BU# 880534
2449 WEST 4000 SOUTH
ROY, UT 84067
WEBER COUNTY

DRAWN BY:	CHECKED BY:	DATE:
MM	JR	12-17-12

SHEET TITLE:
COMPOUND & EQUIPMENT PLANS

SHEET NUMBER:	REV.:
A-2	1



NOTE:

1. BASE STATION EQUIPMENT NOT SHOWN FOR CLARITY.
2. FINAL ANTENNA CONFIGURATION SHOWN ON THIS PLAN. SEE ANTENNA PLAN SHEETS FOR EXISTING AND TEMPORARY INTERIM CONFIGURATION.
3. EXISTING TOWER INVENTORY PROVIDED BY OTHERS.
4. ALL PROPOSED ANTENNA, RRU, AND CABLING WORK SHALL NOT COMMENCE UNTIL A SIGNED AND SEALED STRUCTURAL TOWER/POLE, SPRINT PLATFORM AND FOUNDATION REPORT IN ACCORDANCE WITH ALL APPLICABLE LOCAL, STATE, AND FEDERAL CODES MATCHING THE DESIGN DEPICTED ON THESE DRAWINGS HAS BEEN PROVIDED.

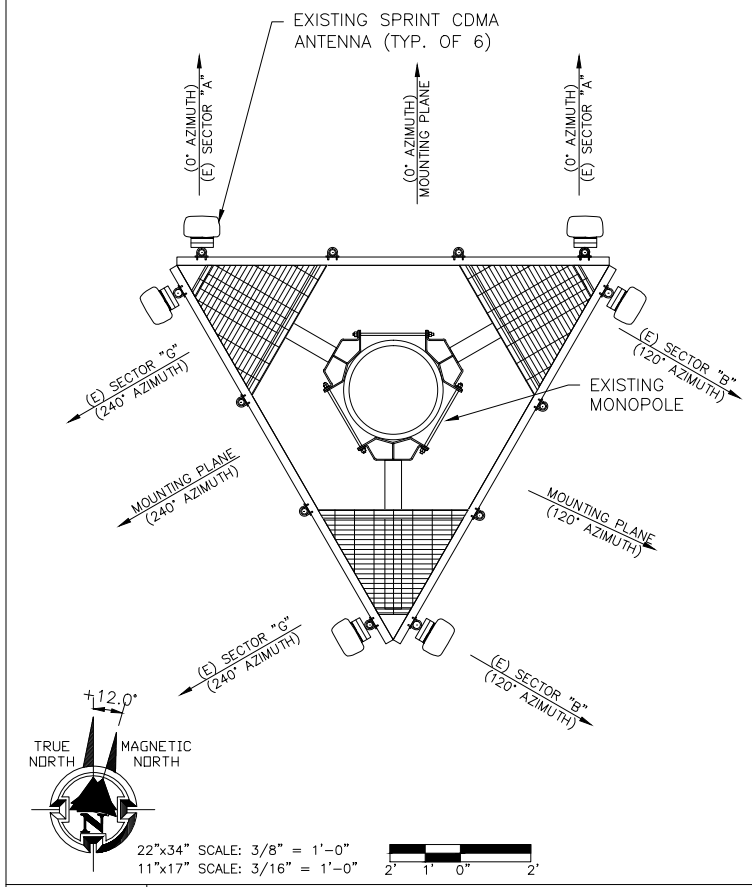
RRU / HYBRID CABLE SCHEDULE

SECTOR	RRU MODEL	RRU FREQUENCY	HYBRID CABLE LENGTH	HYBRID CABLE DIAMETER	JUMPER SIZE	JUMPER LENGTH	RET LENGTH	RET CABLE MANUFACTURER	RET CABLE MODEL NUMBER
ALPHA	RRH-C2A & RRH-P4	(1)800MHz & (1)1900MHz	165'	1.06" TYPE 2	1/2"	6'	9.8'	COMMSCOPE	iRET AISGv1.1
BETA	RRH-C2A & RRH-P4	(1)800MHz & (1)1900MHz	165'	1.06" TYPE 2	1/2"	6'	9.8'	COMMSCOPE	iRET AISGv1.1
GAMMA	RRH-C2A & RRH-P4	(1)800MHz & (1)1900MHz	165'	1.06" TYPE 2	1/2"	6'	9.8'	COMMSCOPE	iRET AISGv1.1

ANTENNA SCHEDULE

SECTOR	ANTENNA FREQUENCY	ANTENNA MFR.	ANTENNA MODEL	ANTENNA QUANTITY	AZIMUTH	RAD CENTER	ANT. SIZE	ELECT TILT 800	MECH TILT 1900
ALPHA	800/1900 MHz	RFS/CELWAVE	APXV9ERRR18-C	1 (PER SECTOR)	0°	130'-0"	72.0"	-6°	-5°
BETA	800/1900 MHz	KMW	ET-X-TS-70-15-62-18-IR-RD	1 (PER SECTOR)	135°	130'-0"	73.8"	-2°	-3°
GAMMA	800/1900 MHz	KMW	ET-X-TS-70-15-62-18-IR-RD	1 (PER SECTOR)	225°	130'-0"	73.8"	-7°	-6°

1 ELEVATION



2 ANTENNA PLAN (EXISTING)

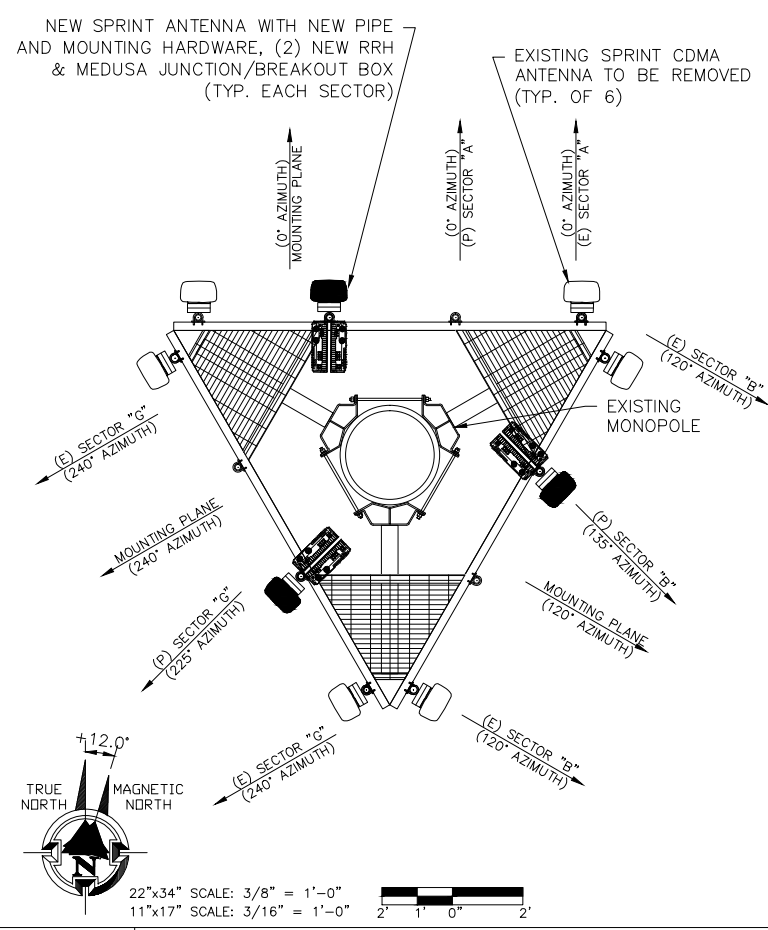
NOTE: STRUCTURAL ANALYSIS MUST BE PERFORMED ON ALL ROOFTOPS, FLAGPOLES AND TOWER SITES BEFORE INSTALLATION OF NEW ANTENNAS, NEW RRRs, & NEW CABINETS/TEMPORARY PLATFORM. STRUCTURAL ANALYSIS PROVIDED BY GENERAL DYNAMICS.

NOTE: EXISTING ANTENNAS ARE CDMA UNLESS NOTED OTHERWISE.

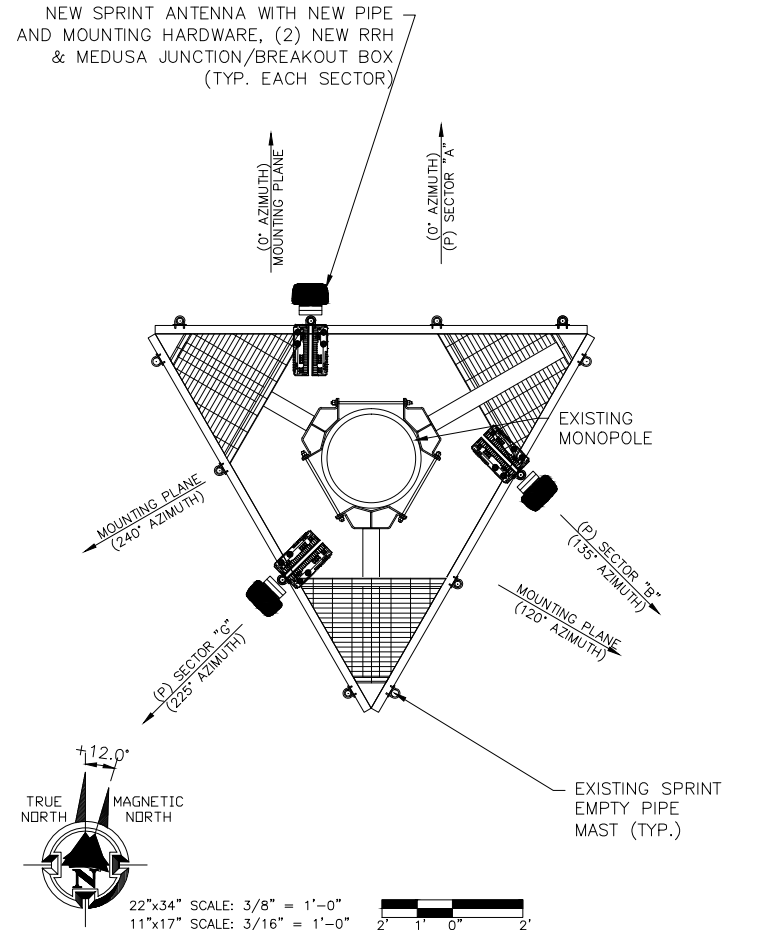
NEW SPRINT ANTENNAS INCLUDE RESPECTIVE RRRs WHICH SHALL BE MOUNTED ON THE PIPE BEHIND THE ANTENNA SIMILAR TO THAT SHOWN ON DETAIL 7, SHEET A-6.

FIELD VERIFY EXISTING AZIMUTH BEFORE RELOCATING THE ANTENNA, IF REQUIRED. PRIOR APPROVAL FROM SPRINT TO BE GRANTED BEFORE RELOCATION OF ANTENNAS.

NOTES: ALL AZIMUTHS ARE TO BE ESTABLISHED CLOCKWISE FROM THE TRUE NORTH HEADING. CONTRACTOR SHALL VERIFY NEW ANTENNA RAD CENTER AND ORIENTATIONS WITH SPRINT PCS PRIOR TO INSTALLATION OF ANTENNAS. PRIOR TO ATTACHING ANTENNAS AND MOUNTING SECTIONS, EXISTING TOWER AND TOWER FOUNDATION MUST BE ANALYZED BY A LICENSED STRUCTURAL ENGINEER TO VERIFY TOWER IS CAPABLE OF SUPPORTING THE NEW LOADS. REFER TO STRUCTURAL ANALYSIS BY OTHERS. CONTRACTOR SHALL REFER TO TOWER STRUCTURAL CALCULATIONS FOR ADDITIONAL LOADS. NO ERECTION OF MODIFICATION OF TOWER SHALL BE MADE WITHOUT APPROVAL OF STRUCTURAL ENGINEER.



3 ANTENNA PLAN (INTERIM)



4 ANTENNA PLAN (FINAL)

PREPARED FOR:
Sprint

SAMSUNG
1301 EAST LOOKOUT DRIVE
RICHARDSON, TX 75082-4124

GENERAL DYNAMICS
WIRELESS SERVICES

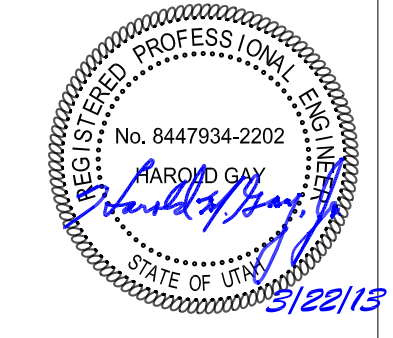
REV.	DATE	REVISION DESCRIPTION	DRAWN BY	CHKD. BY
1	03-22-13	100% CONSTRUCTION DRAWINGS	JM	JR
0	03-19-13	100% CONSTRUCTION DRAWINGS	JM	JR
A	12-17-12	90% CONSTRUCTION DRAWINGS	MM	JR

CONSULTANT:
CALTROP Telecom
960 WEST ELLIOT ROAD
SUITE 116
TEMPE, AZ 85284

CONSULTANT:
CROWN CASTLE INTERNATIONAL

CONSULTANT:
JWCO
215 WEST MAIN STREET
MESQUITE, TX 75149
PHONE: 972.290.0716

E I C I
ENGINEERING
AND DESIGN SUPPORT SERVICES
2021 Hawken Drive
PLANO, TX 75023
(972) 527-0300

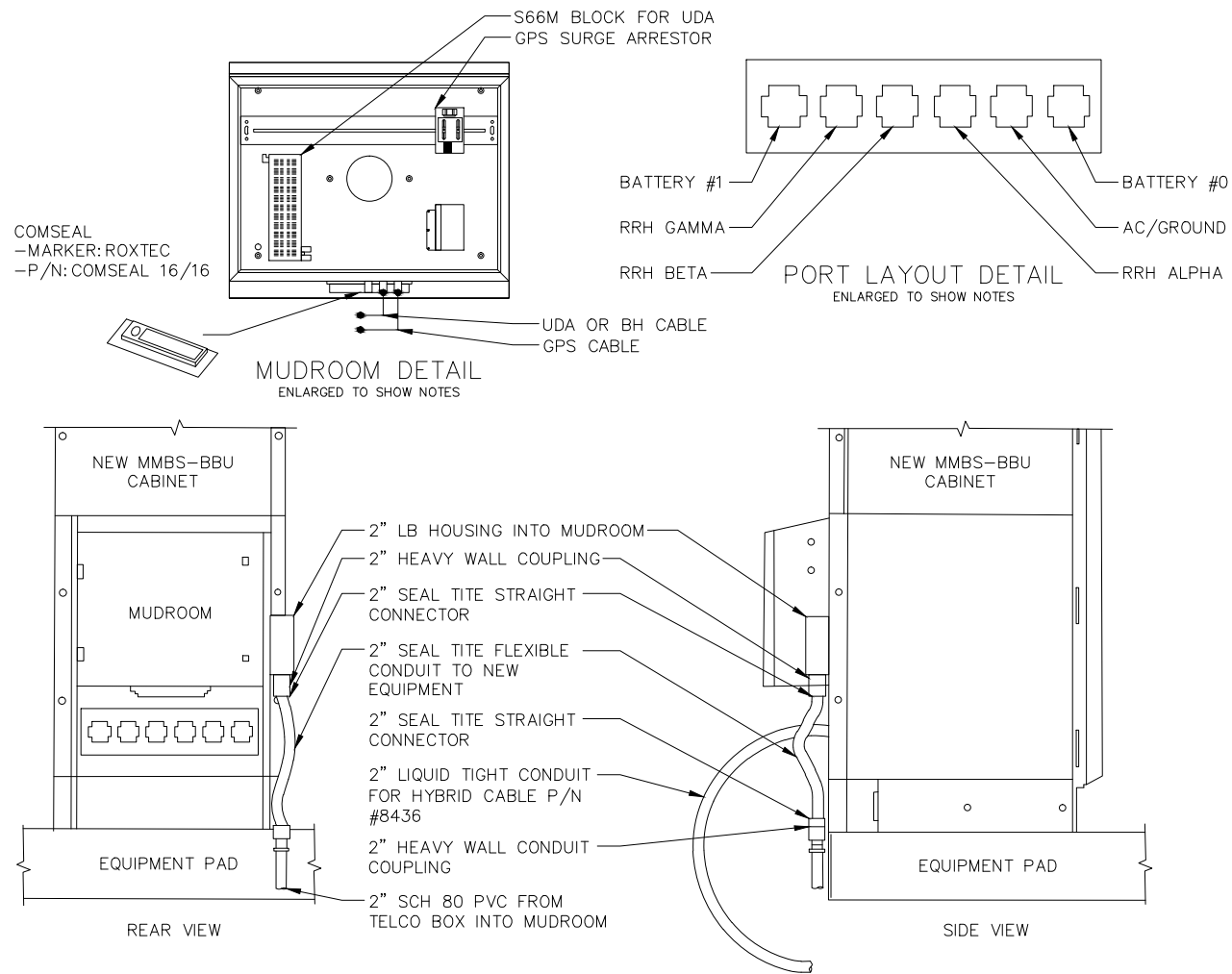


NETWORK VISION MIMBS LAUNCH
KWIK CITY MUFLER
SL03XC136
CROWN CASTLE BU# 880534
2449 WEST 4000 SOUTH
ROY, UT 84067
WEBER COUNTY

DRAWN BY: MM CHECKED BY: JR DATE: 12-17-12

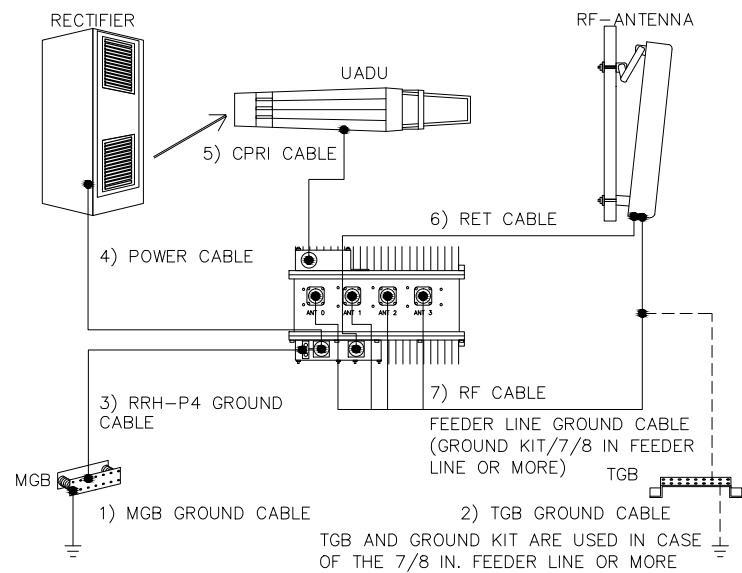
SHEET TITLE:
ELEVATION & ANTENNA PLANS (ALL SECTORS)

SHEET NUMBER: **A-3** REV.: **1**



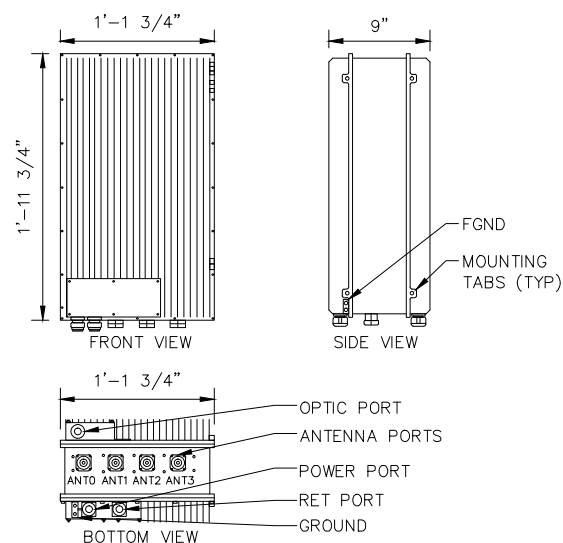
1 HYBRID AND TELCO LINE SUPPORT DETAILS

SCALE: NTS



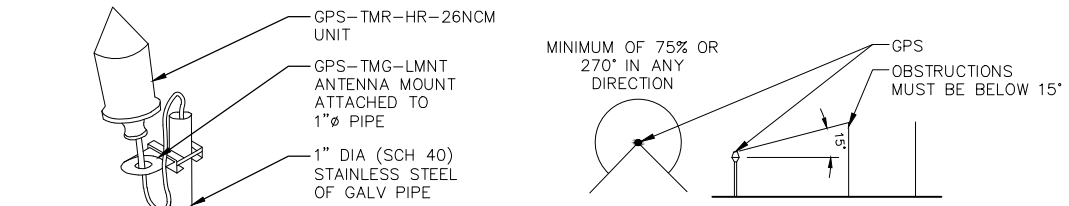
4 SAMSUNG MMBS WIRING DIAGRAM

SCALE: NTS



5 1900 MHz RRH-P4 MECHANICAL SPECIFICATIONS

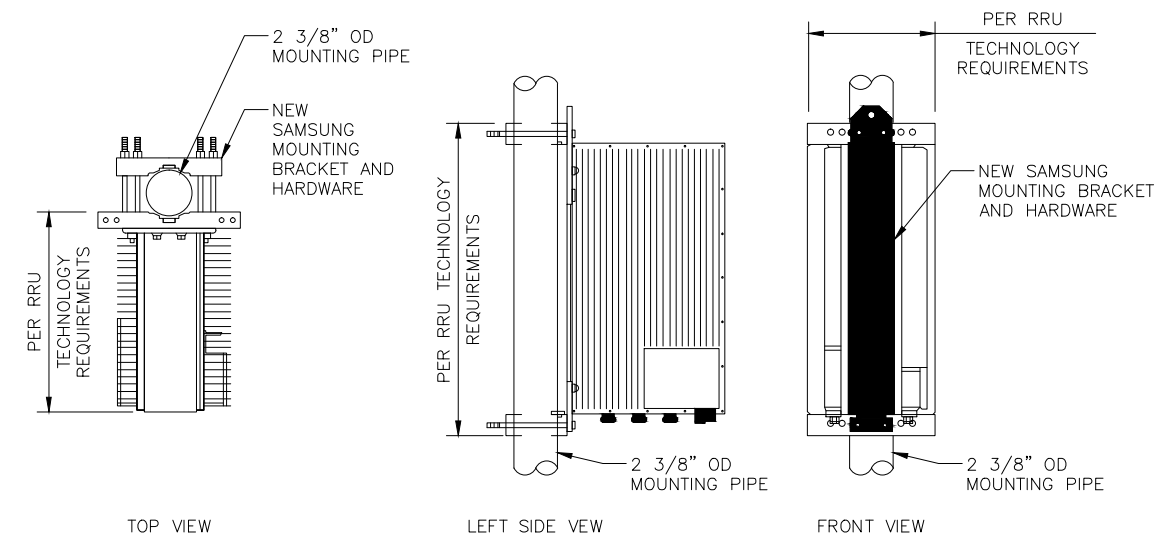
SCALE: NTS



- NOTES**
1. THE GPS ANTENNA MOUNT IS DESIGNED TO FASTEN TO A STANDARD 1"Ø, SCH. 40, GALVANIZED STEEL OF STAINLESS STEEL PIPE. THE PIPE MUST NOT BE THREADED AT THE ANTENNA MOUNT END. THE PIPE SHALL BE CUT TO THE REQUIRED LENGTH (MIN. OF 18", 8'-0" IF MOUNTING TO NEW MMBS-BBU) USING A HAND OR ROTARY PIPE CUTTER TO ASSURE A SMOOTH AND PERPENDICULAR CUT. A HACK SAW SHALL NOT BE USED. THE CUT PIPE END SHALL BE DEBURRED.
 2. IT IS CRITICAL THAT THE GPS ANTENNA IS MOUNTED SUCH THAT IT IS WITHIN 2 DEGREES OF VERTICAL AND THE BASE OF THE ANTENNA IS WITHIN 2" OF LEVEL.
 3. DO NOT SWEEP TEST GPS ANTENNA
 4. ATTACH GPS MOUNTING PIPE TO NEW MMBS-BBU USING (4) 8MMx15MM SS BOLTS AND (4) 1" PIPE STRAPS. GPS TO BE MOUNTED A MIN. OF 2'-0" ABOVE MMBS-BBU CABINET.

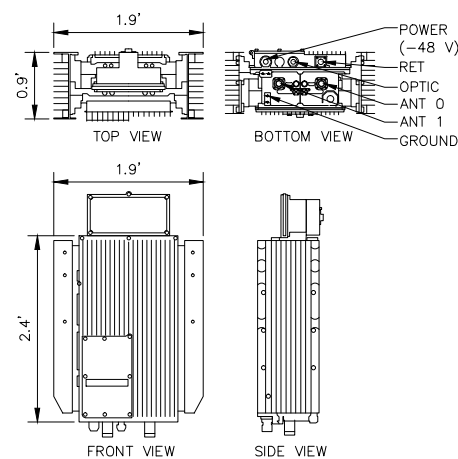
2 GPS UNIT PIPE MOUNT & REQUIREMENTS

SCALE: NTS



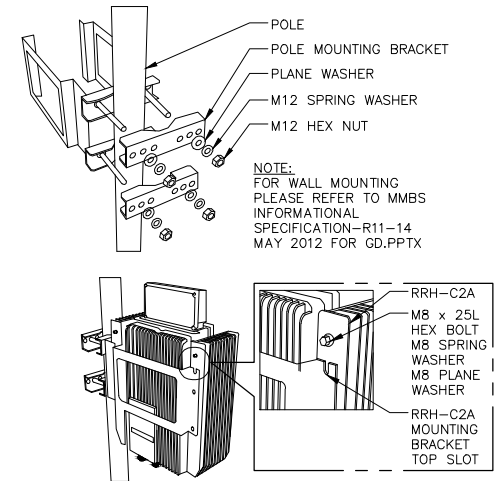
3 RRU POLE INSTALLATION DETAIL

SCALE: NTS



6 800 MHz RRH-C2A

SCALE: NTS



7 800 MHz RRH 2ND GEN POLE MOUNT

SCALE: NTS

PREPARED FOR:



1301 EAST LOOKOUT DRIVE
RICHARDSON, TX 75082-4124

GENERAL DYNAMICS
WIRELESS SERVICES

1	03-22-13	100% CONSTRUCTION DRAWINGS	JM	JR
0	03-19-13	100% CONSTRUCTION DRAWINGS	JM	JR
A	12-17-12	90% CONSTRUCTION DRAWINGS	MM	JR
REV.	DATE	REVISION DESCRIPTION	DRAWN BY	CHKD. BY

CONSULTANT:



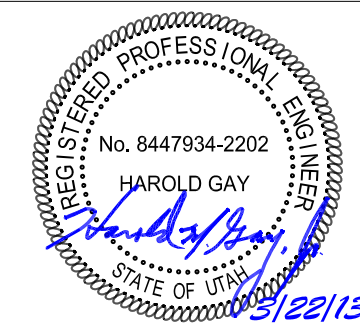
960 WEST ELLIOT ROAD
SUITE 116
TEMPE, AZ 85284



CONSULTANT:



215 WEST MAIN STREET
MESQUITE, TX 75149
PHONE: 972.290.0716



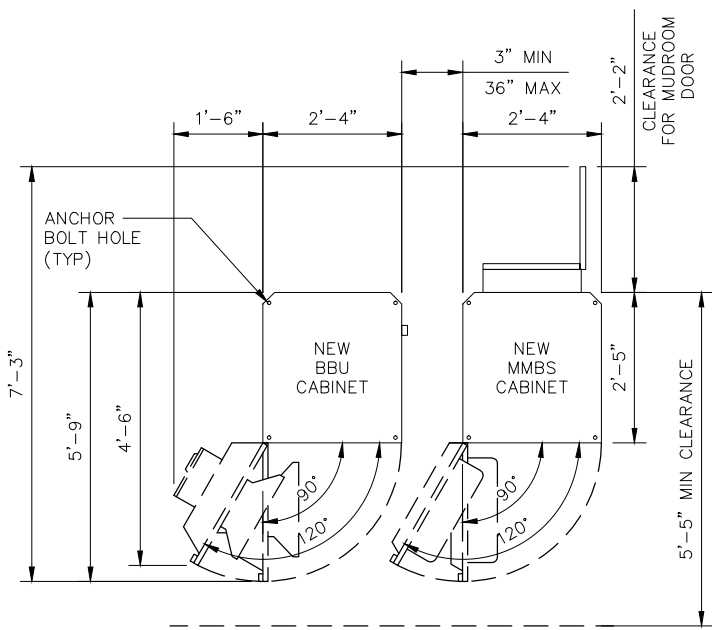
NETWORK VISION MMBS LAUNCH
KWIK CITY MUFLER
SL03XC136
CROWN CASTLE BU# 880534
2449 WEST 4000 SOUTH
ROY, UT 84067
WEBER COUNTY

DRAWN BY:	CHECKED BY:	DATE:
MM	JR	12-17-12

SHEET TITLE:
EQUIPMENT DETAILS

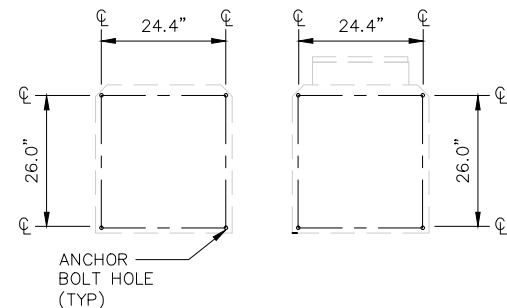
SHEET NUMBER: REV.:

A-4 1



1 MMBS & BBU TYPICAL LAYOUT

SCALE: NTS



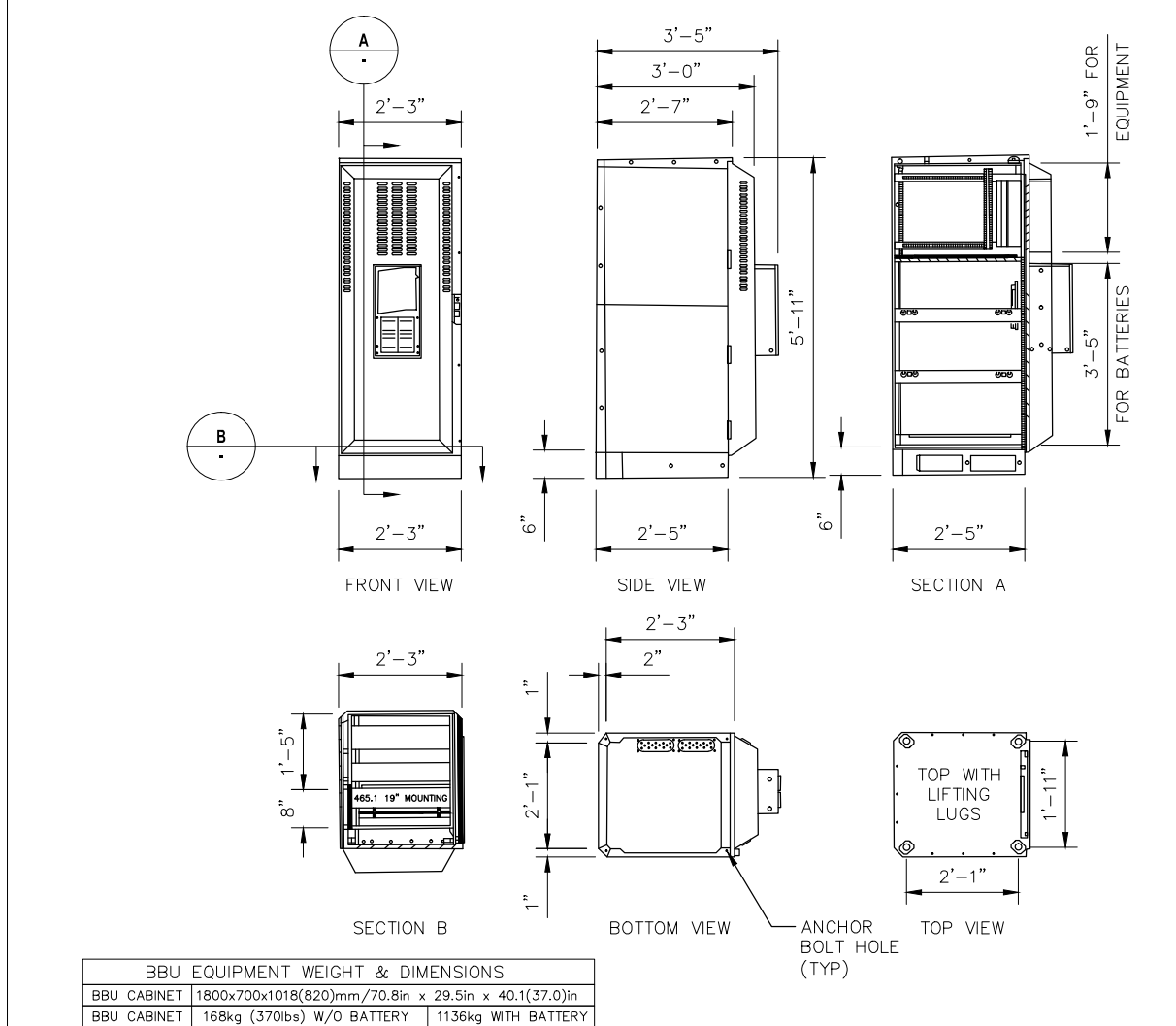
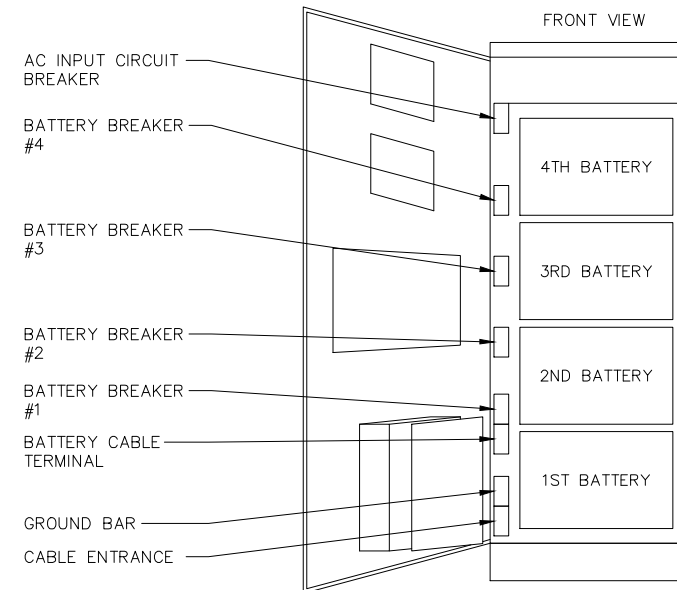
2 ANCHOR BOLT LAYOUT

SCALE: NTS

ITEM	SPECIFICATIONS
CAPACITY	MAX 4 BATTERY STRINGS
COOLING	AIR-CONDITIONER/COOLING WITH FAN FOR EMERGENCY MODE (MCLEAN T20 HVAC)
SOUND LEVEL	65BA @1.5m
SIZE	71(H) x 41.25(D) x 27.6(W) INCH 1800(H) x 1048(D) x 700(W) mm
CABINET WEIGHT	370 LBS
PER BATTERY STRING WEIGHT	529 LBS
BATTERY	NARADA 190AH (12NDT190) AGM TYPE (VRLA)
AC POWER	220VAC, 3.5AMP TYP 14.4AMP STARTING
DC POWER	10A MAX @48VDC

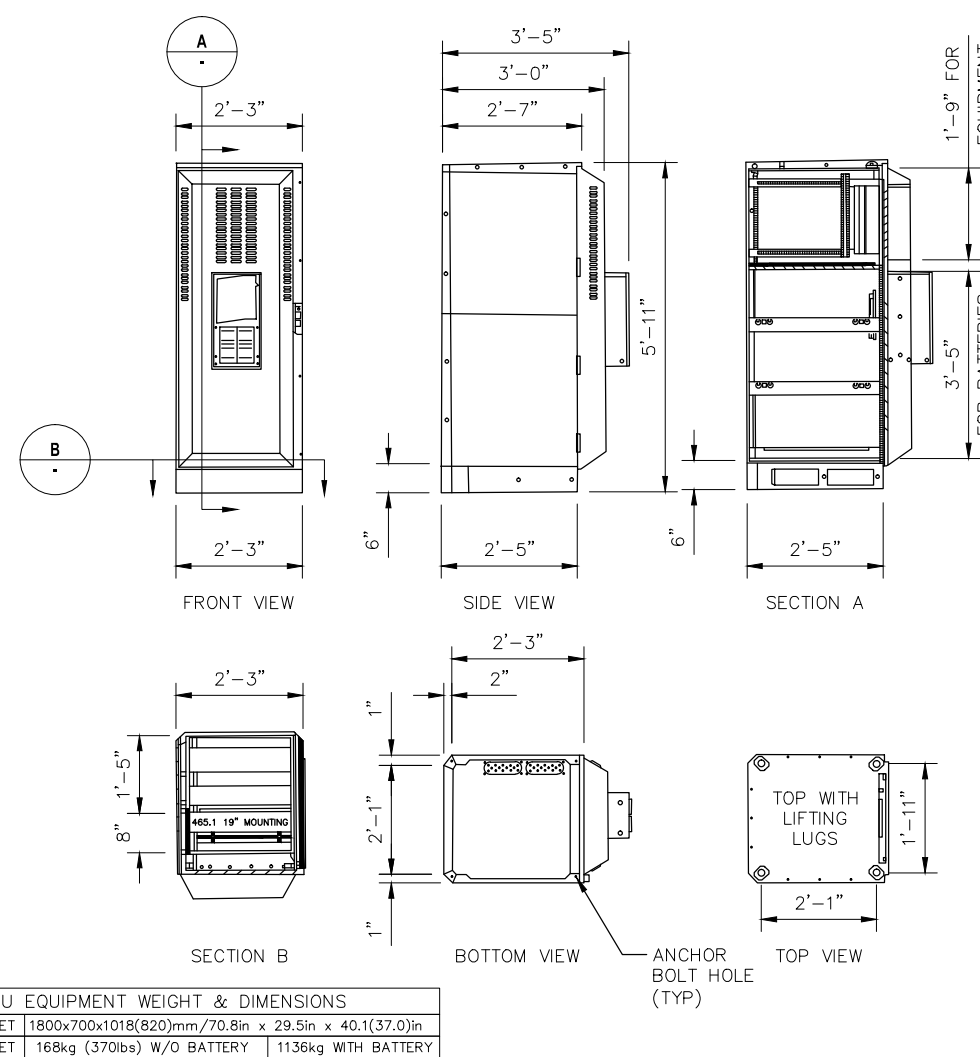
3 BBU CABINET

SCALE: NTS



4 MMBS MECHANICAL SPECIFICATIONS

SCALE: NTS



5 BBU MECHANICAL SPECIFICATIONS

SCALE: NTS

PREPARED FOR:
Sprint

SAMSUNG
1301 EAST LOOKOUT DRIVE
RICHARDSON, TX 75082-4124

GENERAL DYNAMICS
WIRELESS SERVICES

REV.	DATE	REVISION DESCRIPTION	DRAWN BY	CHKD. BY
1	03-22-13	100% CONSTRUCTION DRAWINGS	JM	JR
0	03-19-13	100% CONSTRUCTION DRAWINGS	JM	JR
A	12-17-12	90% CONSTRUCTION DRAWINGS	MM	JR

CONSULTANT:
CALTROP Telecom
960 WEST ELLIOT ROAD
SUITE 116
TEMPE, AZ 85284

CROWN CASTLE
INTERNATIONAL

CONSULTANT:
JWCO
215 WEST MAIN STREET
MESQUITE, TX 75149
PHONE: 972.290.0716

ENGINEERING
AND DESIGN SUPPORT SERVICES
2021 Hawken Drive
PLANO, TX 75023
(972) 527-0300



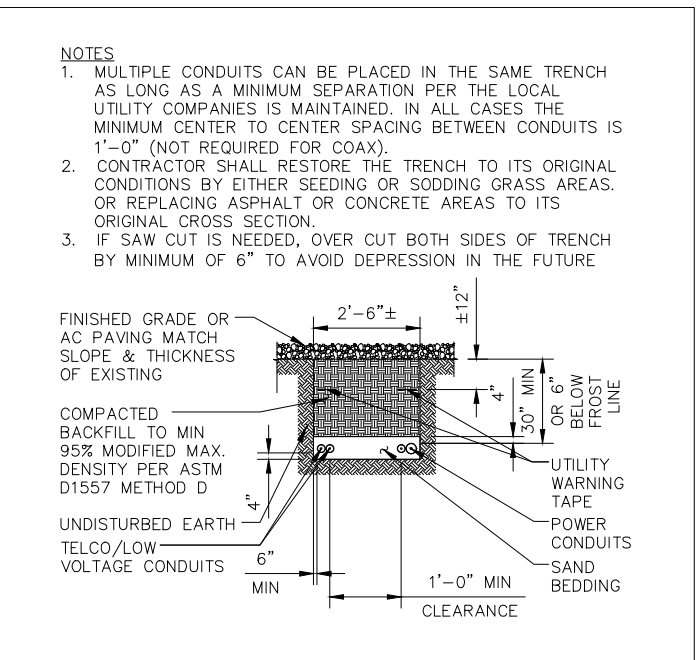
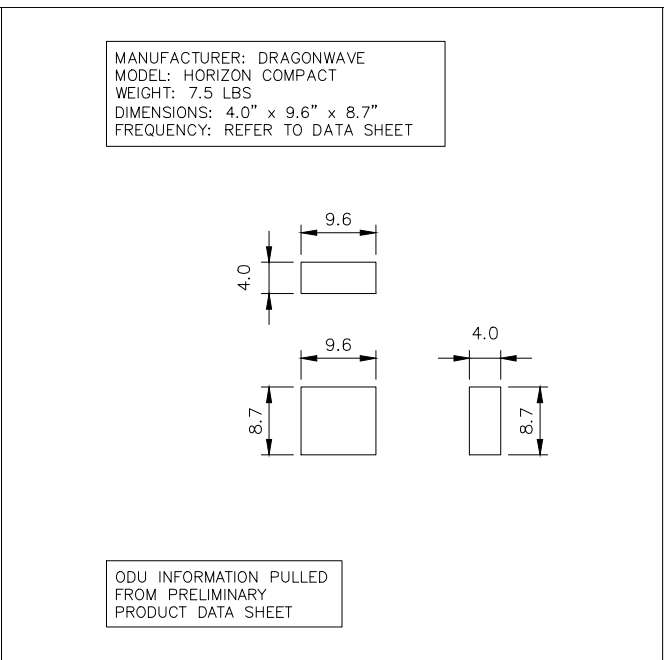
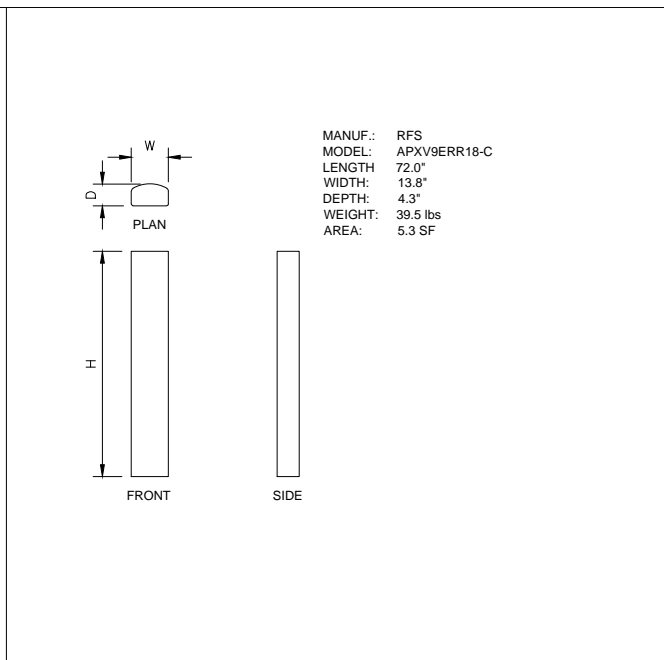
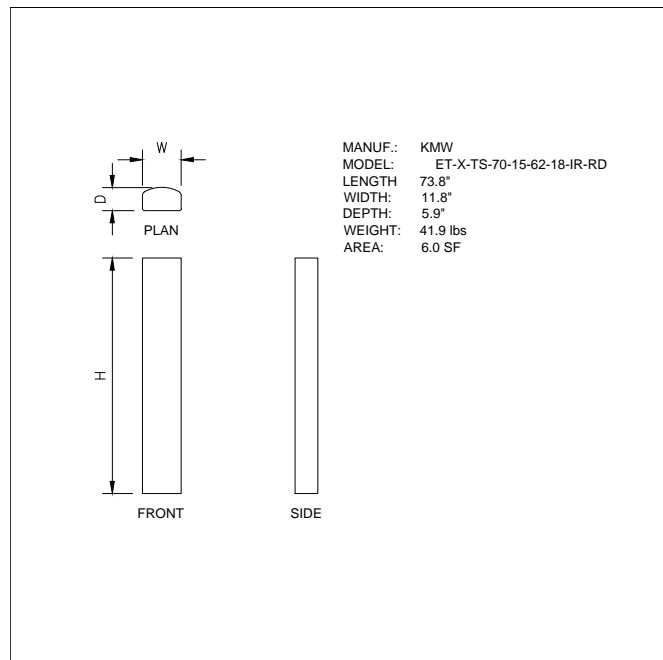
NETWORK VISION MMBS LAUNCH
KWIK CITY MUFLER
SL03XC136
CROWN CASTLE BU# 880534
2449 WEST 4000 SOUTH
ROY, UT 84067
WEBER COUNTY

DRAWN BY:	CHECKED BY:	DATE:
MM	JR	12-17-12

SHEET TITLE:
EQUIPMENT DETAILS
OUTDOOR SPECIFICATIONS

SHEET NUMBER: REV.:

A-5 1

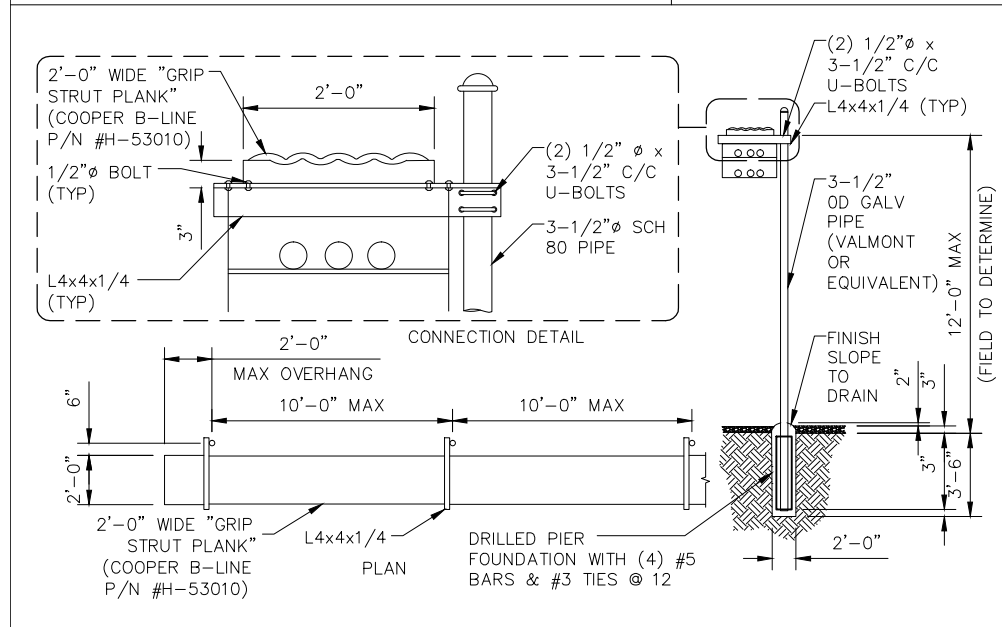


1 ANTENNA SPECIFICATIONS
 SCALE: NTS

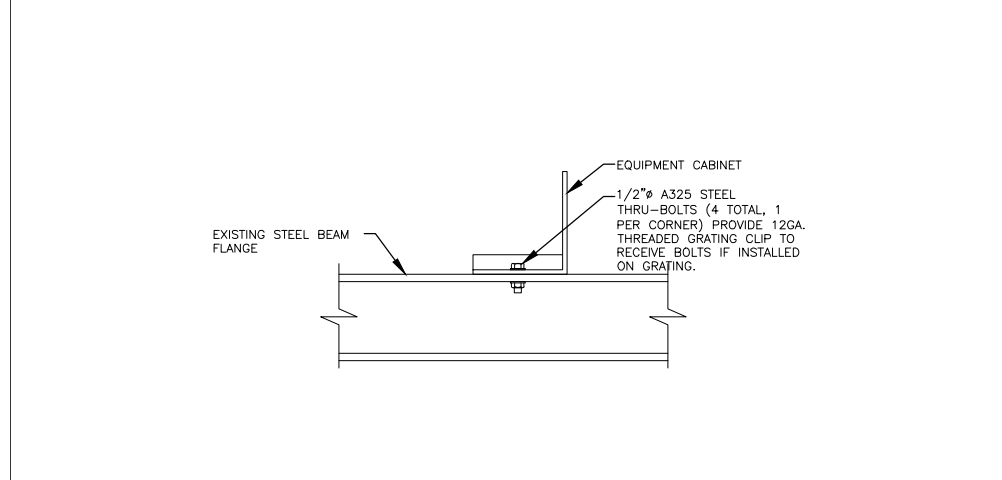
2 ANTENNA SPECIFICATIONS
 SCALE: NTS

3 ODU DETAIL - NOT USED
 SCALE: NTS

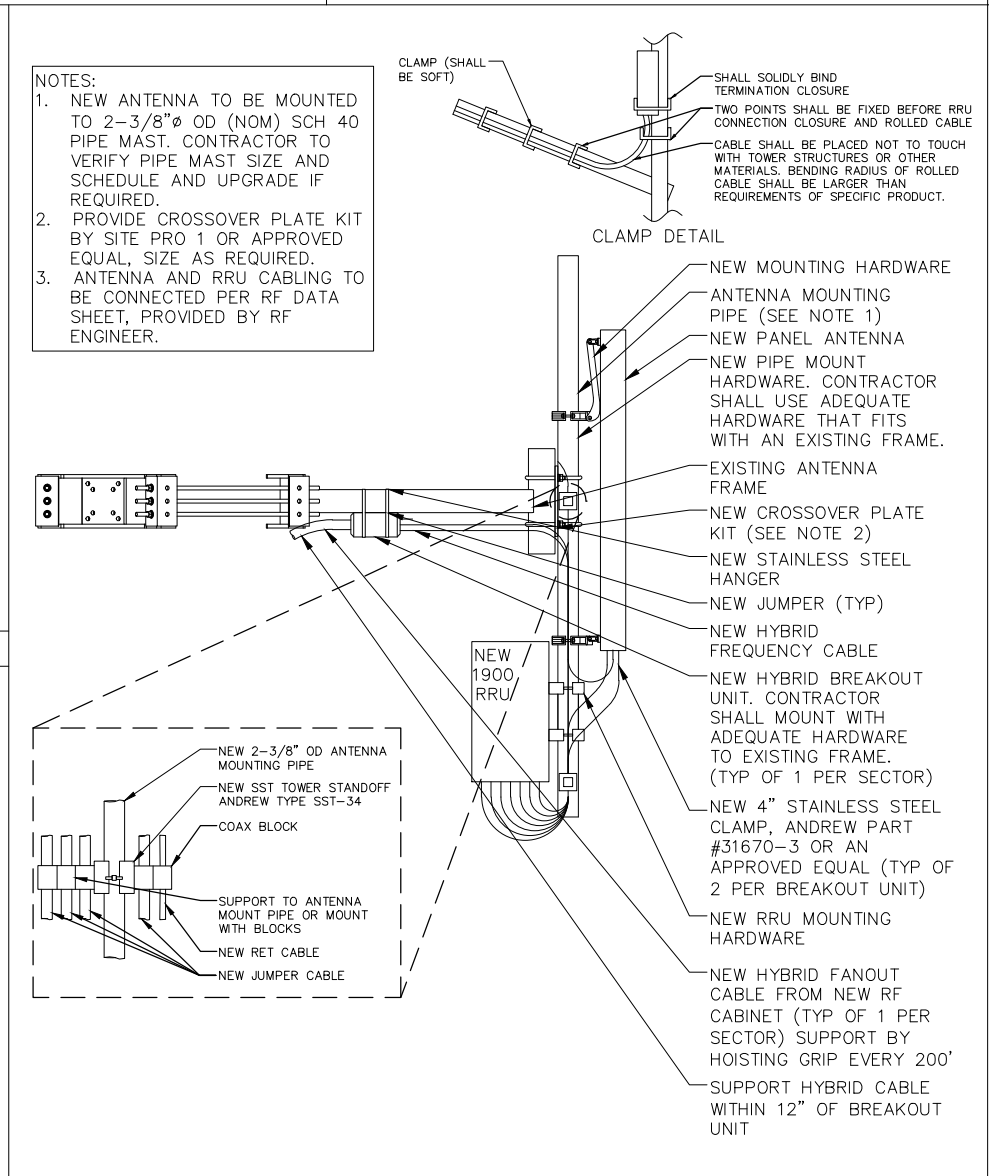
4 UTILITY TRENCH DETAIL
 SCALE: NTS



5 ICE BRIDGE DETAIL
 SCALE: NTS



6 CABINET ANCHOR DETAIL
 SCALE: NTS



7 TYPICAL BOOM & STANDOFF DETAIL 1900 ANTENNA DETAIL
 SCALE: NTS

8 NOT USED
 SCALE: NTS

PREPARED FOR:

1301 EAST LOOKOUT DRIVE
 RICHARDSON, TX 75082-4124

GENERAL DYNAMICS
 WIRELESS SERVICES

△	03-22-13	100% CONSTRUCTION DRAWINGS	JM	JR
△	03-19-13	100% CONSTRUCTION DRAWINGS	JM	JR
△	12-17-12	90% CONSTRUCTION DRAWINGS	MM	JR

REV.	DATE	REVISION DESCRIPTION	DRAWN BY	CHKD. BY

CONSULTANT:

960 WEST ELLIOT ROAD
 SUITE 116
 TEMPE, AZ 85284

CONSULTANT:

215 WEST MAIN STREET
 MESQUITE, TX 75149
 PHONE: 972.290.0716

E I C I
 ENGINEERING AND DESIGN SUPPORT SERVICES
 2021 Hawken Drive
 PLANO, TX 75023
 (972) 527-0300

NETWORK VISION MMBS LAUNCH
KWIK CITY MUFLER
SL03XC136
 CROWN CASTLE BU# 880534
 2449 WEST 4000 SOUTH
 ROY, UT 84067
 WEBER COUNTY

DRAWN BY:	CHECKED BY:	DATE:
MM	JR	12-17-12

SHEET TITLE: **EQUIPMENT DETAILS**

SHEET NUMBER: **A-6** REV.: **1**

Sector	Cable	First Ring	Second Ring	Third Ring
1 Alpha	1	Green	No Tape	No Tape
1	2	Blue	No Tape	No Tape
1	3	Brown	No Tape	No Tape
1	4	White	No Tape	No Tape
1	5	Red	No Tape	No Tape
1	6	Grey	No Tape	No Tape
1	7	Purple	No Tape	No Tape
1	8	Orange	No Tape	No Tape
2 Beta	1	Green	Green	No Tape
2	2	Blue	Blue	No Tape
2	3	Brown	Brown	No Tape
2	4	White	White	No Tape
2	5	Red	Red	No Tape
2	6	Grey	Grey	No Tape
2	7	Purple	Purple	No Tape
2	8	Orange	Orange	No Tape
3 Gamma	1	Green	Green	Green
3	2	Blue	Blue	Blue
3	3	Brown	Brown	Brown
3	4	White	White	White
3	5	Red	Red	Red
3	6	Grey	Grey	Grey
3	7	Purple	Purple	Purple
3	8	Orange	Orange	Orange

Frequency	Indicator #1	#2
900 #1	Yellow	Green
1900 #1	Yellow	Red
1900 #2	Yellow	Brown
1900 #3	Yellow	Blue
1900 #4	Yellow	Slate
900 #2	Yellow	Orange
Reserved #	Yellow	White
MICROWAVE	Yellow	Purple

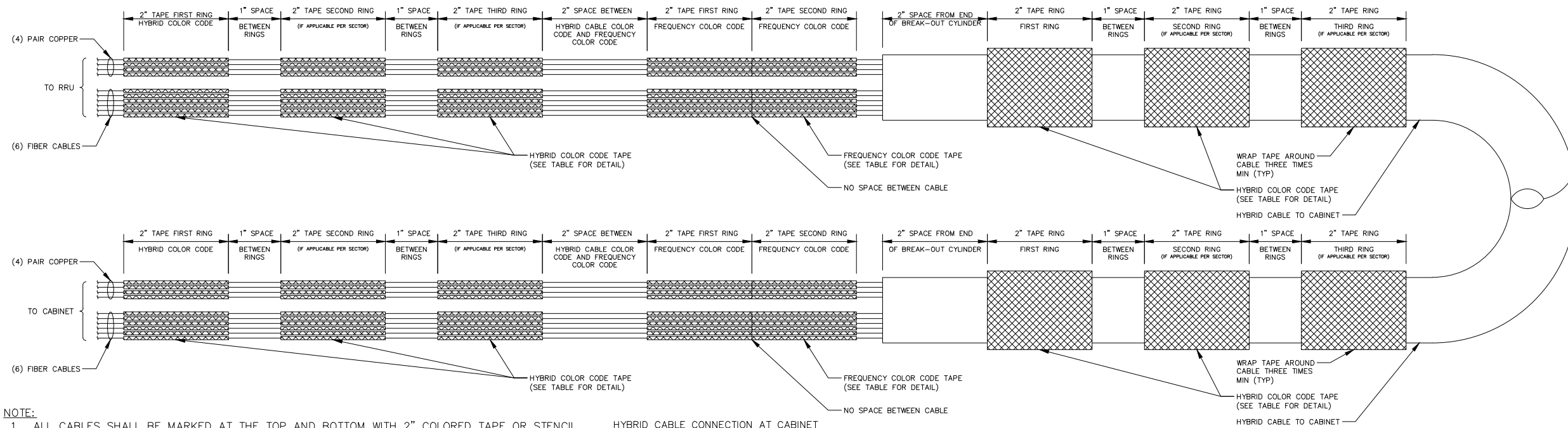
SUPPLIER	SAMSUNG FIBEROPTICS					ASIA TAI			
	LENGTH (FT)	TOTAL WEIGHT (KG)	(LBS)	WEIGHT/LF (KG)	(LBS)	TOTAL WEIGHT (KG)	(LBS)	WEIGHT/LF (KG)	(LBS)
TYPE 1	60	13	28	0.2	0.5	19	41	0.3	0.7
TYPE 1	75	16	35	0.2	0.5	22	49	0.3	0.7
TYPE 1	90	19	42	0.2	0.5	26	57	0.3	0.7
TYPE 1	105	30	66	0.3	0.6	29	65	0.3	0.7
TYPE 1	120	34	75	0.3	0.6	33	73	0.3	0.7
TYPE 1	135	38	85	0.3	0.6	46	101	0.3	0.7
TYPE 1	150	43	94	0.3	0.6	51	112	0.3	0.7
TYPE 1	165	47	104	0.3	0.6	55	122	0.3	0.7
TYPE 2	180	69	151	0.4	0.8	72	160	0.3	0.7
TYPE 2	195	75	164	0.4	0.8	78	173	0.3	0.7
TYPE 2	210	80	177	0.4	0.8	85	187	0.3	0.7
TYPE 2	225	89	196	0.4	0.9	102	224	0.3	0.7
TYPE 2	240	95	209	0.4	0.9	109	239	0.3	0.7
TYPE 2	255	101	222	0.4	0.9	115	254	0.3	0.7
TYPE 2	270	133	293	0.5	1.1	122	270	0.3	0.7
TYPE 2	285	141	310	0.5	1.1	152	335	0.3	0.7
TYPE 2	300	148	326	0.5	1.1	160	353	0.3	0.7
TYPE 2	315	155	342	0.5	1.1	168	371	0.3	0.7
TYPE 2	330	163	359	0.5	1.1	176	388	0.3	0.7

	TYPE 1	TYPE 2	TYPE 3	TYPE 4	TYPE 5	TYPE 6	TYPE 7
TOTAL LENGTH	~114'-9.95"	~180'-5.35"	~213'-3.05"	~262'-5.60"	~328'-1"	~420'-0"	~550'-0"
HYBRID POWER CABLE CONFIGURATION	AWG 10 1 PAIR, AWG 12 3 PAIR	AWG 8 1 PAIR, AWG 10 3 PAIR	AWG 6 1 PAIR, AWG 8 1 PAIR, AWG 10 2 PAIR	AWG 6 1 PAIR, AWG 8 3 PAIR	AWG 4 1 PAIR, AWG 6 1 PAIR, AWG 8 2 PAIR	AWG 4 1 PAIR, AWG 6 3 PAIR	AWG 2 1 PAIR, AWG 4 3 PAIR
CABLE DIAMETER	0.98"	1.06"	1.18"	1.18"/1.25"	1.25"	1.56"	1.69"
BENDING RADIUS	11.81"	12.99"	15.35"	17.71"	17.71"	18.00"/30.00"	21.00"/35.00"
OPTIC CABLE	LC/PC-to-LC/PC, SINGLE MODE						
DU CABINET (POWER CABLE TERMINAL MAX SIZE AWG 4)	2 PAIR POWER AND OPTIC CABLE WITH PE PIPE						
RRU POWER CABLE SPEC	AWG 8, 0.57"~0.60" AWG 10, 0.45"~0.48"					8 AWG CABLES 4 PAIRS	
NON USE POWER AND OPTIC CABLE PROTECTION	2 PAIR POWER AND OPTIC CABLE WITH PE PIPE	2 PAIR POWER AND OPTIC CABLE WITH PE PIPE	2 PAIR POWER AND OPTIC CABLE WITH PE PIPE	2 PAIR POWER AND OPTIC CABLE WITH PE PIPE	2 PAIR POWER AND OPTIC CABLE WITH PE PIPE	2 PAIR POWER AND OPTIC CABLE WITH PE PIPE	2 PAIR POWER AND OPTIC CABLE WITH PE PIPE

SUPPLIER	TESSCO		
TYPE	LENGTH (FT)	TOTAL WEIGHT (KG)	(LBS)
TYPE 6	1	0.73	1.6
TYPE 6	1000	732	1613
TYPE 6	420	402	887
TYPE 6	1	1	2.2
TYPE 7	1000	1006	2218
TYPE 7	550	553	1220

1 HYBRID AND JUMPER CABLES COLOR CODING

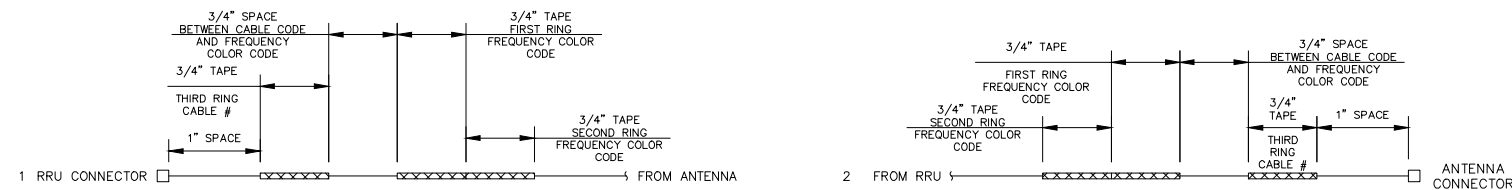
2 HYBRID CABLE TYPE



NOTE:

- ALL CABLES SHALL BE MARKED AT THE TOP AND BOTTOM WITH 2" COLORED TAPE OR STENCIL TAG.
- THE FIRST RING SHALL BE CLOSEST TO THE END OF THE CABLE AND SPACED APPROXIMATELY 2" FROM AN END CONNECTOR, WEATHERPROOFING, OR BREAK-OUT CYLINDER, WITH 1" SPACE BETWEEN EACH RING.
- THE HYBRID CABLE COLOR SHALL BE APPLIED IN ACCORDANCE WITH THE "TYPICAL HYBRID CABLE COLOR CODE" TABLE ABOVE FOR THE RESPECTIVE SECTOR.
- INDIVIDUAL POWER PAIRS AND FIBER CABLES SHALL BE LABELED WITH BOTH THE HYBRID CABLE COLOR FOR THE RESPECTIVE SECTOR AND A FREQUENCY COLOR CODE IN ACCORDANCE WITH THE "FREQUENCY COLOR CODE FOR PAIRS AND FIBER CABLES OF HYBRID CABLE" TABLE ABOVE.
- A 2" GAP SHALL SEPARATE THE HYBRID CABLE COLOR CODE FROM THE FREQUENCY COLOR CODE.
- THE 2" COLOR RINGS FOR THE FREQUENCY CODE SHALL BE PLACED NEXT TO EACH OTHER WITH NO SPACES.
- THE 2" COLORED TAPE(S) SHALL EACH BE WRAPPED A MINIMUM OF 3 TIMES AROUND THE HYBRID CABLE OR INDIVIDUAL CABLES, AND THE TAPE SHALL BE KEPT IN THE SAME LOCATION AS MUCH AS POSSIBLE.
- COLOR BAND ON JUMPERS SHALL BE 2" WIDE WITH A 2" SPACE.

HYBRID CABLE CONNECTION AT CABINET



JUMPER CABLE CONNECTION AT RRU AND ANTENNA

3 HYBRID CABLE COLOR SCHEME DETAIL



1301 EAST LOOKOUT DRIVE
RICHARDSON, TX 75082-4124

GENERAL DYNAMICS
WIRELESS SERVICES

REV.	DATE	REVISION DESCRIPTION	DRAWN BY	CHKD. BY
1	03-22-13	100% CONSTRUCTION DRAWINGS	JM	JR
2	03-19-13	100% CONSTRUCTION DRAWINGS	JM	JR
3	12-17-12	90% CONSTRUCTION DRAWINGS	MM	JR

CONSULTANT:

960 WEST ELLIOT ROAD
SUITE 116
TEMPE, AZ 85284

CONSULTANT:

215 WEST MAIN STREET
MESQUITE, TX 75149
PHONE: 972.290.0716

2021 Hawken Drive
PLANO, TX 75023
(972) 527-0300

NETWORK VISION MMBS LAUNCH
**KWIK CITY MUFLER
SL03XC136**
CROWN CASTLE BU# 880534
2449 WEST 4000 SOUTH
ROY, UT 84067
WEBER COUNTY

DRAWN BY: MM	CHECKED BY: JR	DATE: 12-17-12
-----------------	-------------------	-------------------

SHEET TITLE:
**ANTENNA AND CABLE
COLOR CODING DETAILS**

SHEET NUMBER:
RF-1

REV.:
1

ELECTRICAL NOTES REFER SPECIAL NOTE SHEET N-1

DEFINITIONS:
 o CONTRACTOR OR E.C. SHALL REFER TO INDIVIDUAL OR FIRM WHICH BY CONTRACT DESIGNATED AS RESPONSIBLE FOR THE FINALLY APPROVED ELECTRICAL WORK UNDER THE PURVIEW OF THE CONSTRUCTION MANAGER (C.M.)
 o A.H.J. SHALL REFER TO LOCAL CODE ENFORCEMENT AUTHORITY HAVING JURISDICTION FOR THIS PROJECT.
 o (N) DESIGNATES NEW; (E)=EXISTING; (V)=FIELD VERIFY: CONDITION, EQUIPMENT OR CONNECTION.

GENERAL REQUIREMENTS:

- BECAUSE OF THE RAPIDLY CHANGING TECHNOLOGIES AND REVISIONS BEING MADE IN THE TELECOMMUNICATIONS INDUSTRY, THE INFORMATION SHOWN AS (E) OR NOTED TO BE "EXISTING" ON ANY SHEET OF THIS PLAN SET SHALL NOT BE ASSUMED TO BE CURRENT UNTIL FIELD VERIFIED AT THE TIME OF PROPOSED CONSTRUCTION BY A JURISDICTION LICENSED ELECTRICAL CONTRACTOR OR REGISTERED PROFESSIONAL ELECTRICAL ENGINEER. ALSO SEE NOTE *4 BELOW.
- PROPOSED REVISIONS INDICATED AS (N) OR ITEMS NOTED AS 'NEW' LOADS, FEEDERS, OR SWITCHGEAR SHALL NOT BE ADDED TO THE 240/120V VOLT, 1 PHASE A NEW OR EXISTING PPC WITHOUT OR UNTIL THE REQUIREMENTS OF THESE ELECTRICAL NOTES AND SPECIFICATIONS ARE SATISFIED.
- THE CONSTRUCTION MANAGER SHALL OBTAIN DOCUMENTATION TO IDENTIFY THE EXISTING CONTINUOUS CURRENT ELECTRICAL LOADING ALONG WITH DOCUMENTATION OR ACTUAL MEASUREMENTS TO DEMONSTRATE THAT THE PROPOSED ADDITIONS AND CHANGES WILL NOT INCREASE THE CONTINUOUS LOAD ON THIS SITE BEYOND 80% OF THE UL LISTED CAPACITY OF THE SERVICE ENTRANCE EQUIPMENT. (SEE NOTE o BELOW).

a. AS PERMITTED BY NFPA-70 (ARTICLES 100.1 AND 220, 225 AND 230) OR ADOPTED LOCAL GOVERNING CODES OR SUPPLEMENTS.

4. ALL ADDITIONS, CHANGES, AND RELOCATION OF BRANCH CIRCUITS SHALL BE CAREFULLY DOCUMENTED SHOWING THE SIZE AND LOCATION OF ALL CONDUIT, WIRING, CIRCUIT PROTECTION AND SO FORTH IN A MANNER ACCEPTABLE TO THE AHJ. AS-BUILT DRAWINGS SHALL BE PROVIDED AS PART OF THE FINAL CLOSE-OUT DOCUMENTATION REQUIRED BY THE CONSTRUCTION DOCUMENTS AND/OR AHJ. REFER ALSO TO SPECIAL NOTE SHEET N-1 OF THIS DRAWING SET

5. ALL EXISTING OR NEW ELECTRICAL FINAL INSTALLATION SHALL COMPLY WITH JURISDICTIONALLY ADOPTED ELECTRICAL AND ALL APPLICABLE LOCAL OR STATE CODES.

6. WHERE NEW ELECTRICAL POWER OR TELCO SERVICE IS INDICATED OR REQUIRED, CONTRACTOR SHALL COORDINATE WITH SERVICE PROVIDER(S), PROVIDE ALL REQUIRED EQUIPMENT, WIRING, CONDUIT AND THE LIKE AND PAY ANY RELATED PROVIDER CHARGES OR UPGRADE FEES.

7. PROPOSED NEW UNDERGROUND POWER AND/OR TELCO SERVICE LINES SHALL BE ROUTED AND INSTALLED AS SHOWN ON THESE PLANS.

8. CONDUIT BELOW GRADE: SCHEDULE 40 WITH LONG SWEEP ELBOWS; EXPOSED CONDUIT SHALL BE GALVANIZED STEEL RIGID OR INTERMEDIATE CONDUIT.

9. ALL NEW PCS OR PPC EQUIPMENT SHALL BE SUPPLIED BY SPRINT, INSTALLED AS NOTED BY CONTRACTOR.

10. CONTRACTOR SHALL INSPECT THE EXISTING CONDITIONS, COMPARE THEM WITH THE ELECTRICAL DRAWINGS AND RELATED DOCUMENTATION AND RESOLVE ANY QUESTIONS AND DEFINE ANY EXCEPTIONS PRIOR TO SUBMITTING A BID. NO EXCEPTIONS SHALL BE PERMITTED ONCE THE CONTRACT HAS BEEN AWARDED. (RE: SPECIAL NOTE, SHEET N-1 AND NOTE 11 BELOW)

11. LOCATION OF EQUIPMENT, CONDUIT AND DEVICES SHOWN ON THE DRAWINGS ARE APPROXIMATE AND SHALL BE COORDINATED WITH FIELD CONDITIONS PRIOR TO ORDERING MATERIALS OR ROUGH-IN.

12. PROVIDE PULL BOXES AND JUNCTION BOXES WHERE SHOWN OR REQUIRED BY NFPA-70.

13. ALL CONDUIT BENDS SHALL BE MADE IN ACCORDANCE WITH NEC TABLE 346-10. NO RIGHT ANGLE DEVICE OTHER THAN STANDARD CONDUIT ELBOWS WITH 12" MINIMUM INSIDE SWEEPS FOR ALL CONDUITS 2" OR LARGER.

14. ALL CONDUIT TERMINATIONS SHALL BE PROVIDED WITH PLASTIC THROAT INSULATING GROUNDING BUSHINGS.

15. ALL WIRE SHALL BE TYPE THWN: SOLID, ANNEALED COPPER UP TO SIZE #10 AWG WIRE SIZE #8 AWG AND LARGER SHALL BE CONCENTRIC STRANDED) 75 DEGREE C, (167 DEGREES F), 98" CONDUCTIVITY. MINIMUM #12 AWG UNLESS SPECIFICALLY NOTED OTHERWISE.

16. ALL DISCONNECT SWITCHES AND OTHER CONTROLLING DEVICES SHALL BE PROVIDED WITH ENGRAVED PHENOLIC NAMEPLATES INDICATING EQUIPMENT CONTROLLED, BRANCH CIRCUITS INSTALLED ON, AND PANEL FIELD LOCATIONS FED FROM (NO EXCEPTIONS.) PROVIDE SAMPLE FOR CONSTRUCTION MANAGER'S APPROVAL. ALL SERVICE ENTRANCE EQUIPMENT SHALL BE SO RATED.

17. ALL WIRES SHALL BE TAGGED AT ALL PULL BOXES, J-BOXES, EQUIPMENT BOXES AND CABINETS WITH APPROVED PLASTIC TAGS, ACTION CRAFT, BRADY, OR APPROVED EQUAL, *PLASTIC EMBOSSED TAPE SHALL NOT BE USED.*

18. CONDUIT ROUGH-IN SHALL BE COORDINATED WITH NEW AND EXISTING EQUIPMENT TO AVOID LOCATION CONFLICTS.

19. INSTALL AN EQUIPMENT GROUNDING CONDUCTOR IN ALL NEW CONDUITS PER NFPA-70 AS APPROVED BY A.H.J.

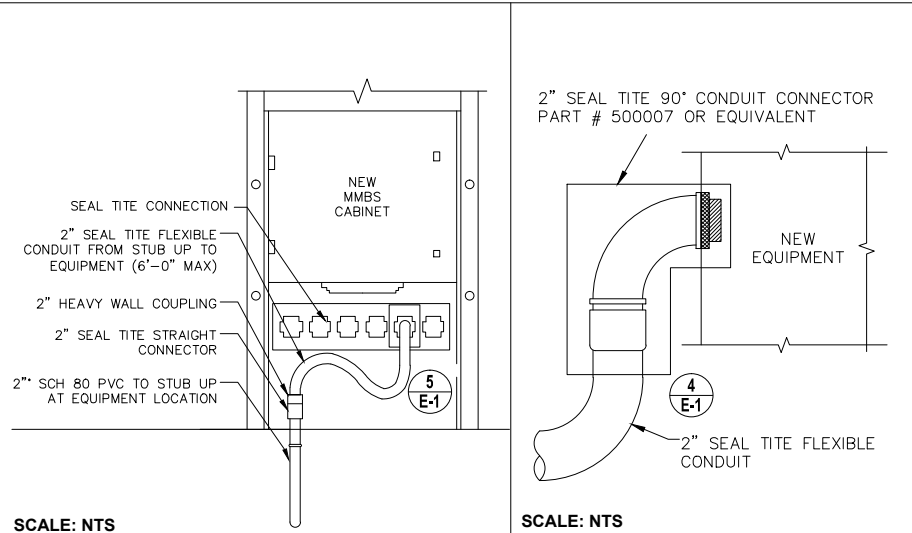
20. THE CONTRACTOR SHALL PREPARE AS-BUILT DRAWINGS, DOCUMENT ANY AND ALL WIRING AND EQUIPMENT CONDITIONS AND CHANGES WHILE COMPLETING THIS CONTRACT. SUBMIT AT SUBSTANTIAL COMPLETION. REFER ALSO TO NOTE 4 ABOVE.

21. ALL MATERIALS SHALL BE NEW AND SHALL BEAR U.L. LISTING, OR NEMA RATING OR SIMILAR.

22. ALL ELECTRICAL DEVICES AND INSTALLATIONS OF THE DEVICES SHALL COMPLY WITH (ADA) AMERICANS WITH DISABILITIES ACT AS ADOPTED BY THE APPLICABLE A.H.J.

23. IN CASES SUCH AS ROOF-TOP LOCATIONS AND THE LIKE, WHERE CORE DRILLING IS NECESSARY, DO NOT PENETRATE STRUCTURAL MEMBERS WITHOUT CONSTRUCTION MANAGERS WRITTEN APPROVAL. SLEEVES AND/OR PENETRATIONS IN FIRE RATED CONSTRUCTION SHALL BE SEALED WITH A.H.J. APPROVED FIRE RATED MATERIAL TO MAINTAIN THE FIRE RATING OF THE WALL OR STRUCTURE. FLOOR OR EXTERIOR PENETRATIONS SHALL BE SEALED TO PREVENT PASSAGE OF WATER, SMOKE, FIRE AND FUMES.

24. CONTRACTOR SHALL COMPLY WITH THE INTENT OF THESE DRAWINGS WHICH INTENT IS TO PROVIDE COMPLETE SYSTEM(S) INSTALLED AND FUNCTIONING AS INTENDED FOR SPRINT AS INTERPRETED BY THE CONSTRUCTION MANAGER AND THE CONTRACT DOCUMENTS.



SCALE: NTS
4 EQUIPMENT CONDUIT CONNECTION (TYP) **5 SEAL TITE CONDUIT CONNECTION**

EXISTING ELECTRICAL CIRCUIT BREAKER PANEL RE: NOTES: 1/E-1; 2/E-1 & SPECIAL NOTE N-1)

SITE NUMBER:	SL03XC136	MODEL NUMBER:	TBD
VOLTAGE:	240V/120	PHASE:	1
MAIN BREAKER:	100 AMP	BUSS RATING:	100 AMPS
MOUNT:	SURFACE	NEUTRAL BAR:	YES
ENCLOSURE TYPE:	NEMA 3R	N TO GROUND BOND:	TBD
PANEL STATUS:	EXISTING	INTERNAL TVSS:	CKT BKR

CKT	LOAD DESCRIPTION	BREAKER AMPS	BREAKER POLES	BREAKER STATUS	BREAKER STATUS	BREAKER POLES	BREAKER AMPS	LOAD DESCRIPTION	CKT
1	TELCO OUTLETS	20	1	ON	ON	1	100	BTS EQUIPMENT	2
3	HEATER	20	1	ON	ON	1	100	BTS EQUIPMENT	4
5	LIGHTS	20	1	OFF	ON	1	20	GFI	6
7	MARK	20	1	OFF	ON	1	20	GFI	8

3 PANEL SCHEDULE

NOTES:

GENERAL CONTRACTOR TO CHECK REQUIREMENTS WITH LOCAL POWER COMPANY & JURISDICTION. ADDITIONAL SUB PANEL OFF THE EXISTING PPC MAY BE REQUIRED TO FEED NEW NETWORK VISION EQUIPMENT.

AN ELECTRICAL LOAD STUDY WAS NOT CONDUCTED. THE EXISTING EQUIPMENT'S ELECTRICAL BREAKERS SHALL BE REMOVED WHEN THE PROPOSED MMBS AND BBU BREAKERS ARE TURNED ON IN FULL OPERATION. EXCHANGE IS TO OCCUR DURING OFF-PEAK HOURS WHERE THE SITE'S ELECTRICAL DRAW IS AT A MINIMUM.

THE ELECTRICAL CONTRACTOR IS TO DETERMINE (VIA ELECTRICAL LOAD STUDY OR OTHER MEANS) THAT THE EXISTING SERVICE IS ADEQUATE FOR ALL PROPOSED EQUIPMENT INCLUDING DURING AN INTERIM STAGE.

CONTRACTOR TO SEE MMBS AND BBU ELECTRICAL SPECIFICATIONS FOR BREAKERS SIZES (100A-2P AND 15A-2P RESPECTIVELY)

2 ELECTRICAL POWER ONE-LINE DIAGRAM

1 ELECTRICAL NOTES

PREPARED FOR:



1301 EAST LOOKOUT DRIVE
 RICHARDSON, TX 75082-4124

GENERAL DYNAMICS WIRELESS SERVICES

REV.	DATE	REVISION DESCRIPTION	DRAWN BY	CHKD. BY
1	03-22-13	100% CONSTRUCTION DRAWINGS	JM	JR
2	03-19-13	100% CONSTRUCTION DRAWINGS	JM	JR
3	12-17-12	90% CONSTRUCTION DRAWINGS	MM	JR

CONSULTANT:



CONSULTANT:

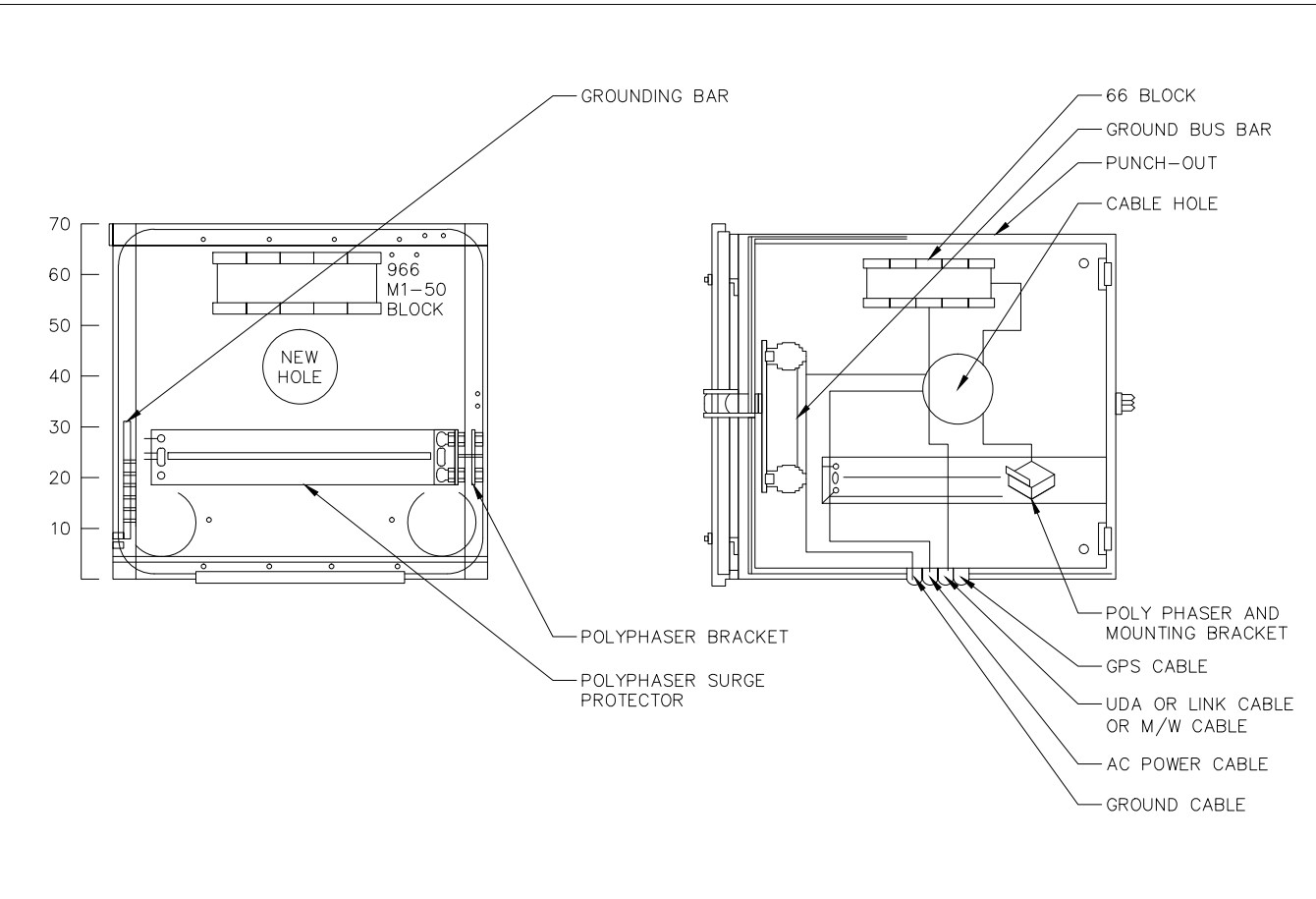
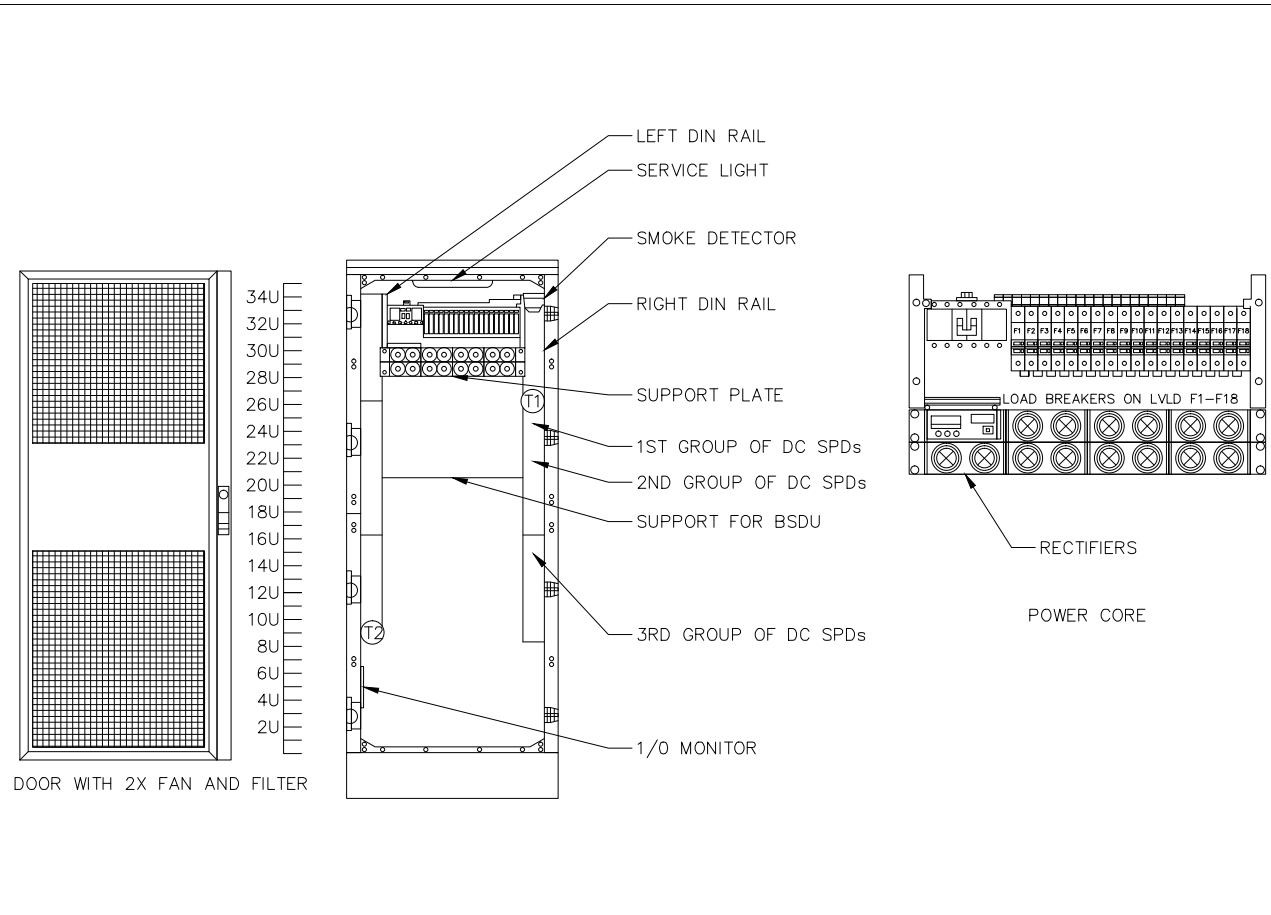


NETWORK VISION MMBS LAUNCH
KWIK CITY MUFLER
SL03XC136
 CROWN CASTLE BU# 880534
 2449 WEST 4000 SOUTH
 ROY, UT 84067
 WEBER COUNTY

DRAWN BY:	CHECKED BY:	DATE:
MM	JR	12-17-12

SHEET TITLE:
ONE-LINE DIAGRAM & POWER PANEL SCHEDULE

SHEET NUMBER:	REV.:
E-1	1

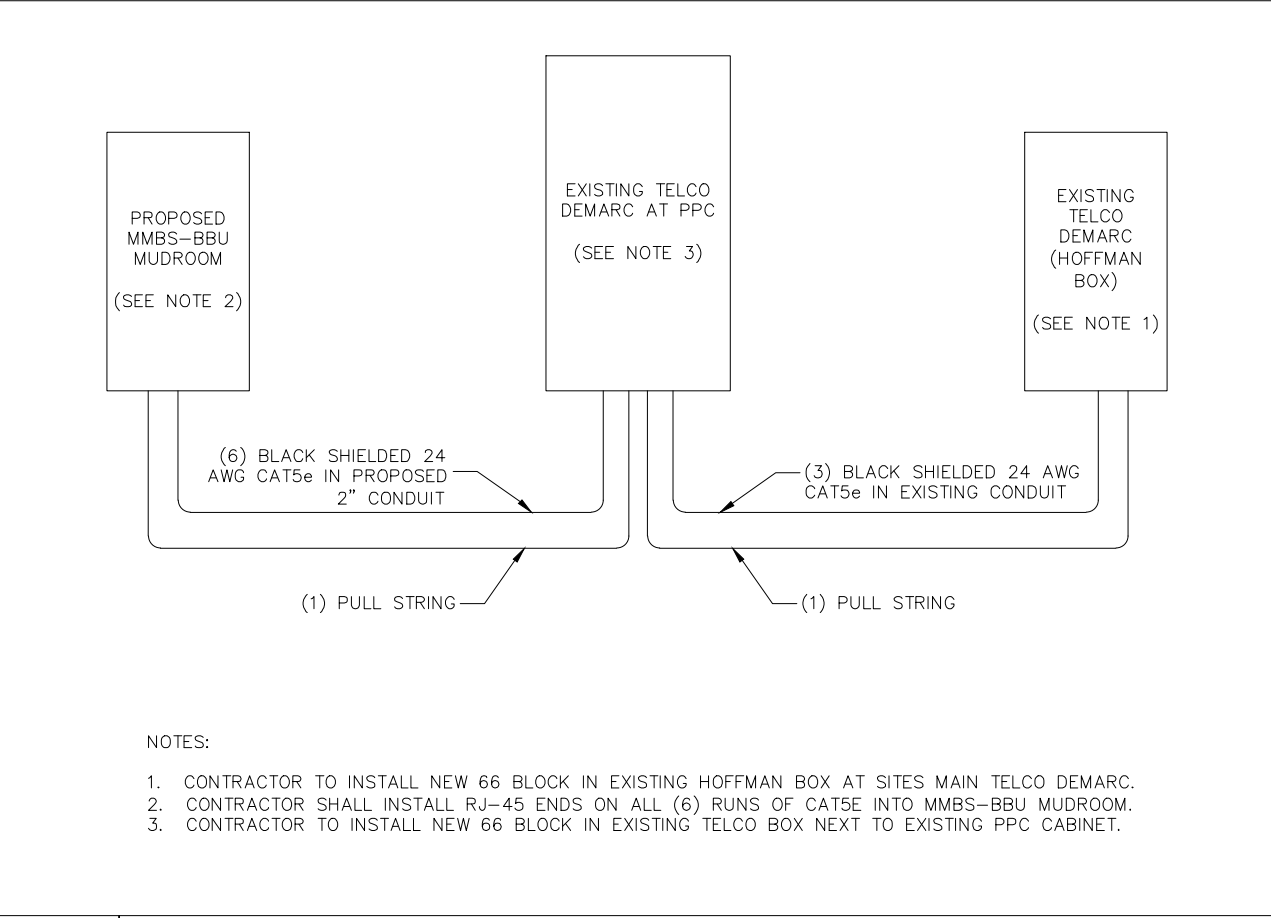


1 MMBS-BBU ELECTRICAL DETAILS

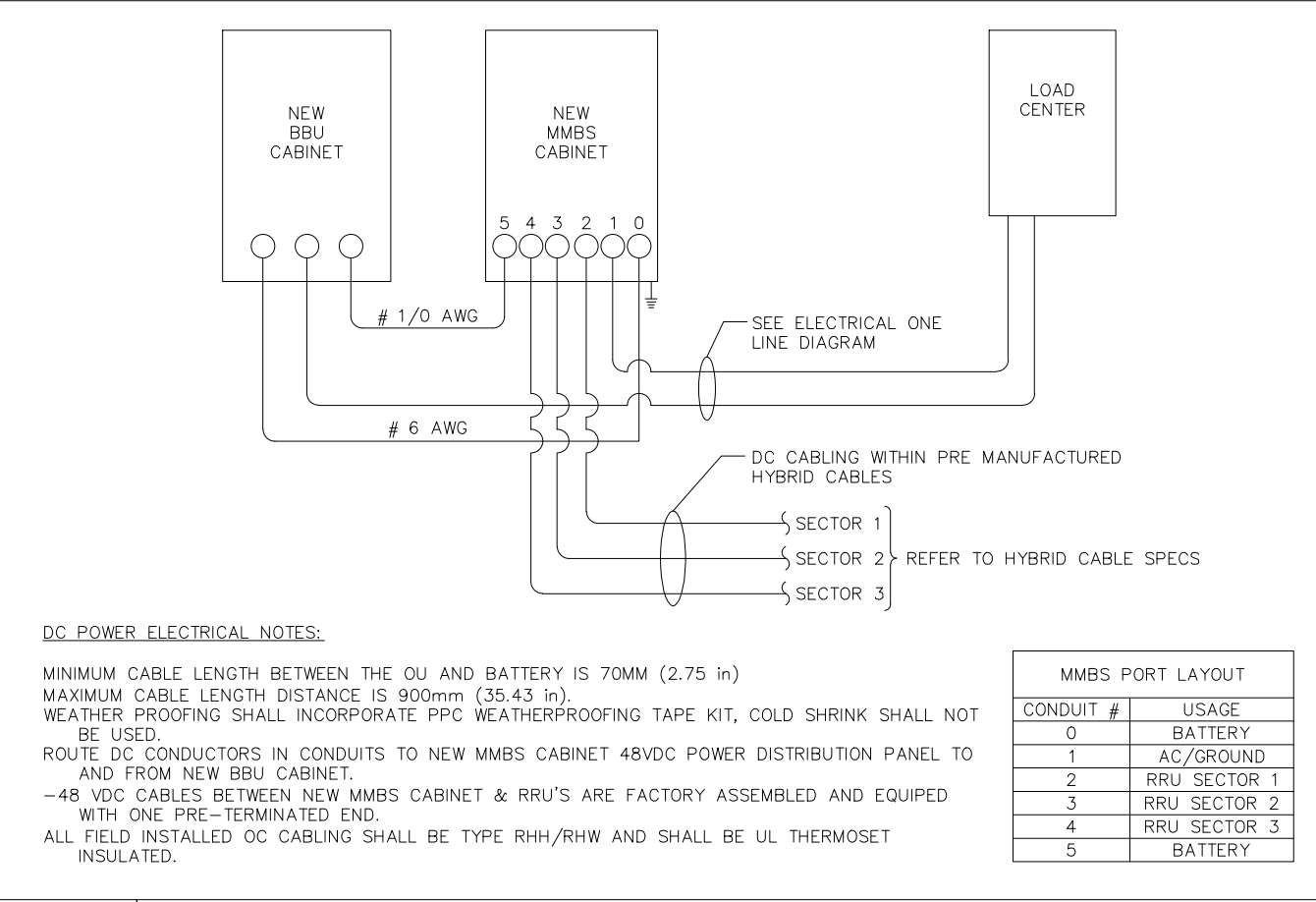
2 MUDROOM ELECTRICAL DETAIL

SCALE: NTS

SCALE: NTS



3 TELCO RISER DETAIL



4 DC POWER DIAGRAM

SCALE: NTS

SCALE: NTS

PREPARED FOR:

1301 EAST LOOKOUT DRIVE
RICHARDSON, TX 75082-4124

GENERAL DYNAMICS
WIRELESS SERVICES

1	03-22-13	100% CONSTRUCTION DRAWINGS	JM	JR
0	03-19-13	100% CONSTRUCTION DRAWINGS	JM	JR
A	12-17-12	90% CONSTRUCTION DRAWINGS	MM	JR

REV.	DATE	REVISION DESCRIPTION	DRAWN BY	CHKD. BY
------	------	----------------------	----------	----------

CONSULTANT:

960 WEST ELLIOT ROAD
SUITE 116
TEMPE, AZ 85284

CONSULTANT:

215 WEST MAIN STREET
MESQUITE, TX 75149
PHONE: 972.290.0716

2021 Hawken Drive
PLANO, TX 75023
(972) 527-0300

NETWORK VISION MMBS LAUNCH

KWIK CITY MUFLER
SL03XC136

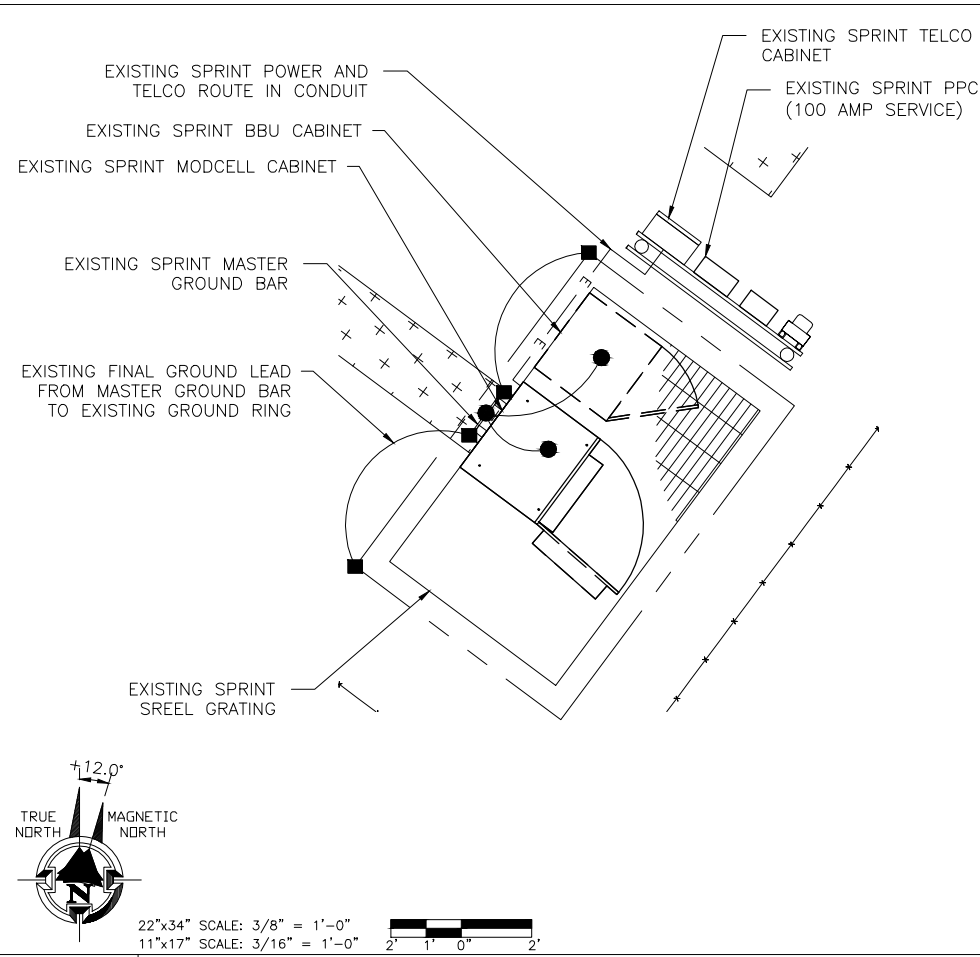
CROWN CASTLE BU# 880534
2449 WEST 4000 SOUTH
ROY, UT 84067
WEBER COUNTY

DRAWN BY:	CHECKED BY:	DATE:
MM	JR	12-17-12

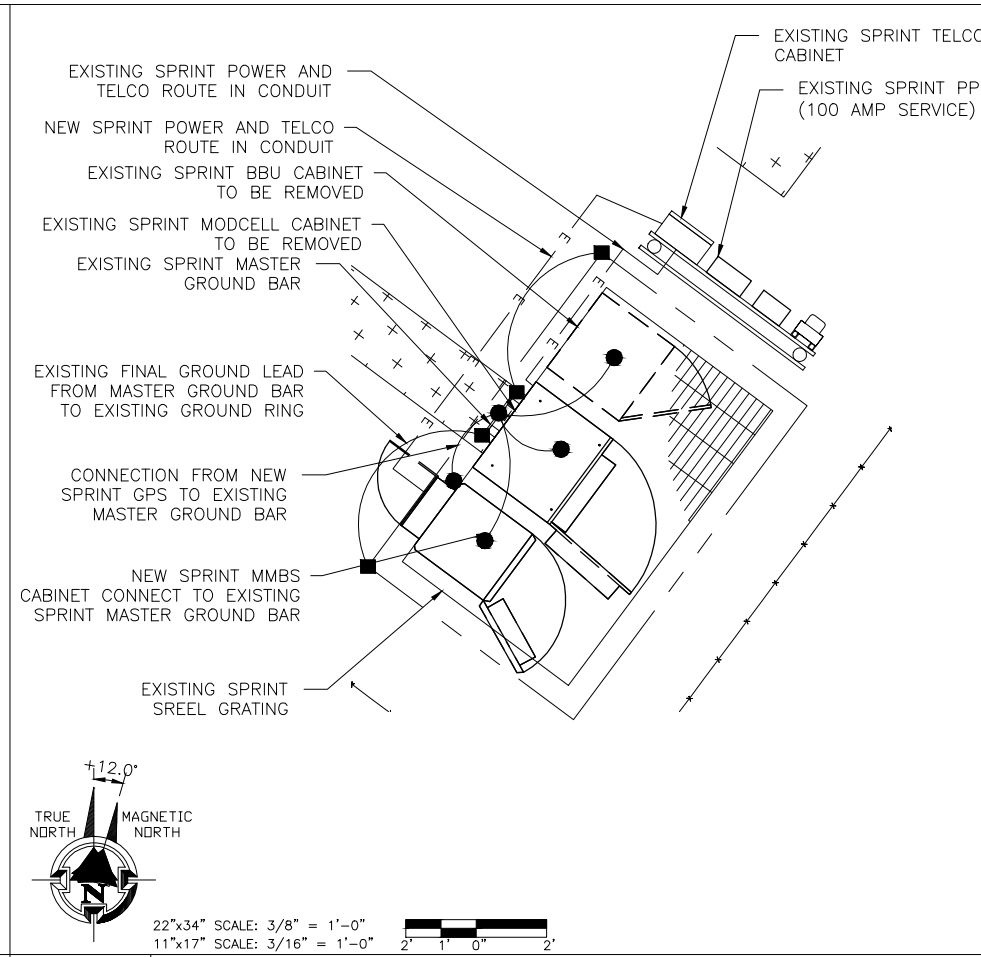
SHEET TITLE:

ELECTRICAL
DETAILS

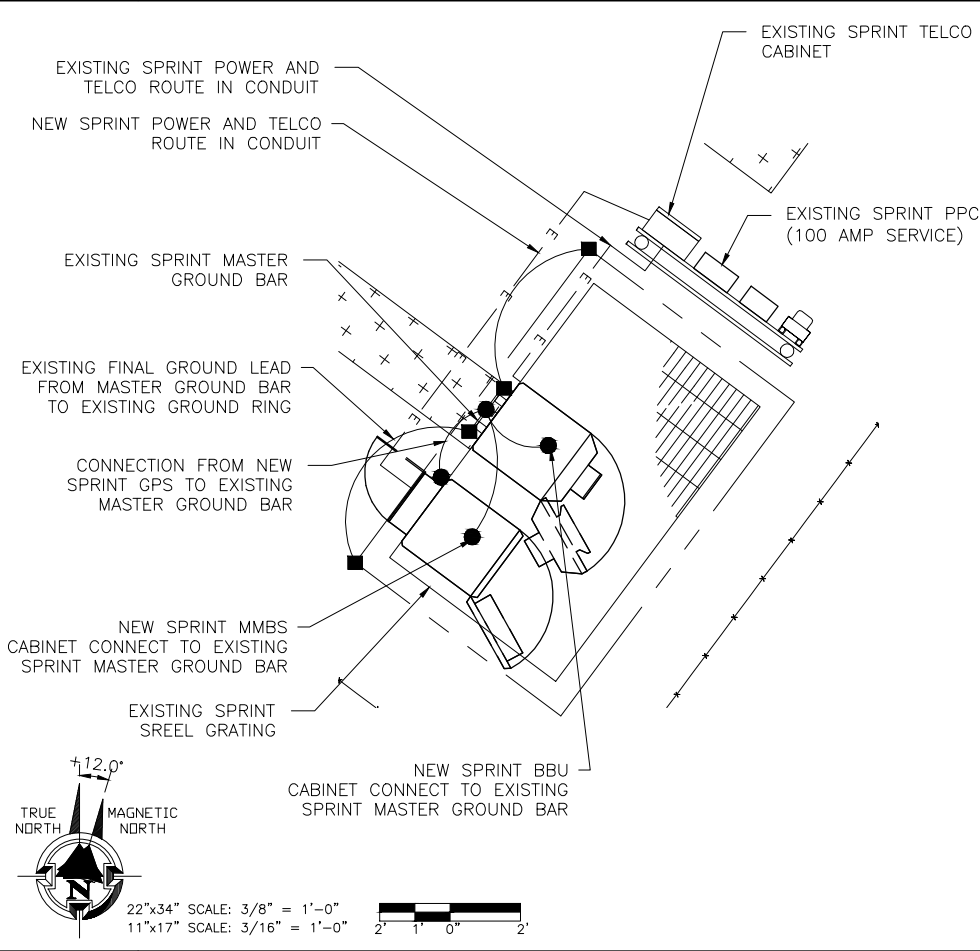
SHEET NUMBER: **E-2** REV.: **1**



1 EQUIPMENT GROUND & ROUTING PLAN (EXISTING) IF REQUIRED



2 EQUIPMENT GROUND & ROUTING PLAN (INTERIM) IF REQUIRED



3 EQUIPMENT GROUND & ROUTING PLAN (FINAL)

GENERAL GROUNDING NOTES:

1. ALL DETAILS ARE SHOWN IN GENERAL TERMS. ACTUAL INSTALLATION AND CONSTRUCTION MAY VARY DUE TO SITE SPECIFIC CONDITIONS.
2. GROUND ALL ANTENNA BASES, FRAMES, CABLE RUNS, AND OTHER METALLIC COMPONENTS USING GROUND WIRES AND CONNECT TO SURFACE MOUNTED BUS BARS. FOLLOW ANTENNA AND BTS MANUFACTURERS PRACTICES FOR GROUNDING REQUIREMENTS. GROUND COAX SHIELD AT BOTH ENDS AND EXIT FROM TOWER OR POLE USING MFR'S PRACTICES.
3. ALL GROUND CONNECTIONS SHALL BE EXOTHERMIC. ALL WIRES SHALL BE COPPER THHN/THWN. ALL GROUND WIRE SHALL BE GREEN INSULATED WIRE ABOVE GROUND.
4. CONTRACTOR TO VERIFY AND TEST GROUND TO SOURCE. GROUNDING AND OTHER OPERATIONAL TESTING WILL BE WITNESSED BY SPRINT WIRELESS, LLC. REPRESENTATIVE.
5. REFER TO DIVISION 16 GENERAL ELECTRIC; GENERAL ELECTRICAL PROVISION AND COMPLY WITH ALL REQUIREMENTS OF GROUNDING STANDARDS.
6. ELECTRICAL CONTRACTOR TO PROVIDE DETAILED DESIGN OF GROUNDING SYSTEM PER SPRINT STANDARD GROUNDING METHOD, AND RECEIVE APPROVAL OF DESIGN BY AUTHORIZED SPRINT MOBILITY REPRESENTATIVE, PRIOR TO INSTALLATION OF GROUNDING SYSTEM. PHOTO DOCUMENT ALL EXOTHERMIC AND GROUND RING.
7. NOTIFY CONSTRUCTION MANAGER IF THERE ARE ANY DIFFICULTIES INSTALLING GROUNDING SYSTEM DUE TO SITE SOIL CONDITIONS.
8. ALL EXISTING GROUND BARS, WIRES & CONNECTIONS SHALL BE FIELD VERIFIED. ANY DEFICIENT ITEMS SHALL BE REPLACED AS REQUIRED TO ACHIEVE ADEQUATE GROUNDING REQUIRED BY SPRINT.

GROUNDING NOTES:

1. EXOTHERMIC WELDS (2). 2 AWG BARE TINNED SOLID COPPER CONDUCTORS TO GROUNDING BAR. ROUTE CONDUCTORS TO BURIED GROUNDING RING AND PROVIDE PARALLEL EXOTHERMIC WELD.
2. EC SHALL USE PERMANENT MARKER TO DRAW THE LINES BETWEEN EACH SECTION AND LABEL EACH SECTION ("P", "A", "N", "I") WITH 1" HIGH LETTERS.
3. ALL HARDWARE 18-8 STAINLESS STEEL, INCLUDING LOCK WASHERS, COAT ALL SURFACES WITH AN ANTI-OXIDANT COMPOUND BEFORE MATING. ALL HARDWARE SHALL BE STAINLESS STEEL 3/8 INCH DIAMETER OR LARGER.
4. FOR GROUND BOND TO STEEL ONLY: INSERT A CADMIUM FLAT WASHER BETWEEN LUG AND STEEL, COAT ALL SURFACES WITH AN ANTI-OXIDANT COMPOUND BEFORE MATING.
5. NUT & WASHER SHALL BE PLACED ON THE FRONT SIDE OF THE GROUNDING BAR AND BOLTED ON THE BACK SIDE. INSTALL BLACK HEAT-SHRINKING TUBE, 600 VOLT INSULATION ON ALL GROUNDING TERMINATIONS. THE INTENT IS TO WEATHERPROOF THE COMPRESSION CONNECTION.
6. NUMBER OF GROUNDING BARS MAY VARY DEPENDING ON THE TYPE OF TOWER, ANTENNA LOCATION, AND CONNECTION ORIENTATION. PROVIDE AS REQUIRED.
7. GROUNDING KIT SHALL BE TYPE AND PART NUMBER AS SUPPLIED OR RECOMMENDED BY CABLE MANUFACTURER.
8. WEATHERPROOFING SHALL BE TYPE AND PART NUMBER AS SUPPLIED OR RECOMMENDED BY CABLE MANUFACTURER.
9. SUPPLIED AND INSTALLED BY CONTRACTOR.
10. WHEN THE SCOPE OF WORK REQUIRES THE ADDITION OF A GROUNDING BAR TO AN EXISTING TOWER, THE SUBCONTRACTOR SHALL OBTAIN APPROVAL FROM THE TOWER OWNER PRIOR TO MOUNTING THE GROUNDING BAR TO THE TOWER.
11. EXTEND TWO (2) 2 AWG TINNED CU CONDUCTOR FROM BURIED GROUNDING RING AND CONNECT TO THE PROPOSED TOWER. FOLLOW MANUFACTURERS RECOMMENDATIONS FOR GROUNDING CONNECTIONS TO THE TOWER. (APPLICABLE TO NEW TOWERS ONLY.)
12. NUMBER OF GROUNDING BARS MAY VARY DEPENDING ON THE TYPE OF TOWER, ANTENNA LOCATION, AND CONNECTION ORIENTATION. THE SUBCONTRACTOR SHALL BE RESPONSIBLE FOR INSTALLING ADDITIONAL GROUNDING BARS AS REQUIRED, PROVIDING 50% SPARE CONNECTION POINTS.

4 GROUNDING NOTES

PREPARED FOR:



1301 EAST LOOKOUT DRIVE
RICHARDSON, TX 75082-4124

GENERAL DYNAMICS
WIRELESS SERVICES

1	03-22-13	100% CONSTRUCTION DRAWINGS	JM	JR
2	03-19-13	100% CONSTRUCTION DRAWINGS	JM	JR
3	12-17-12	90% CONSTRUCTION DRAWINGS	MM	JR
REV.	DATE	REVISION DESCRIPTION	DRAWN BY	CHKD. BY

CONSULTANT:



960 WEST ELLIOT ROAD
SUITE 116
TEMPE, AZ 85284



CONSULTANT:



215 WEST MAIN STREET
MESQUITE, TX 75149
PHONE: 972.290.0716



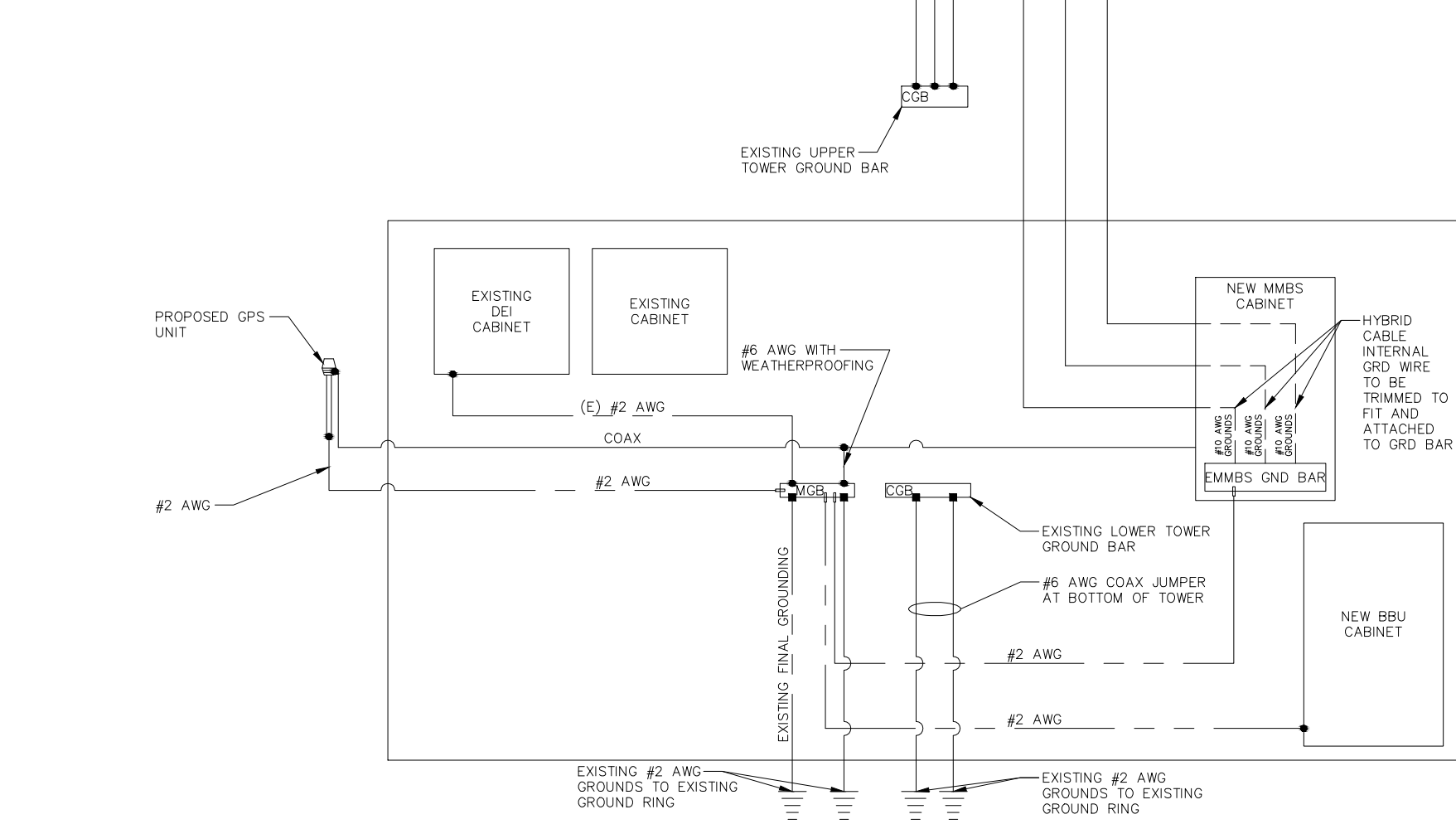
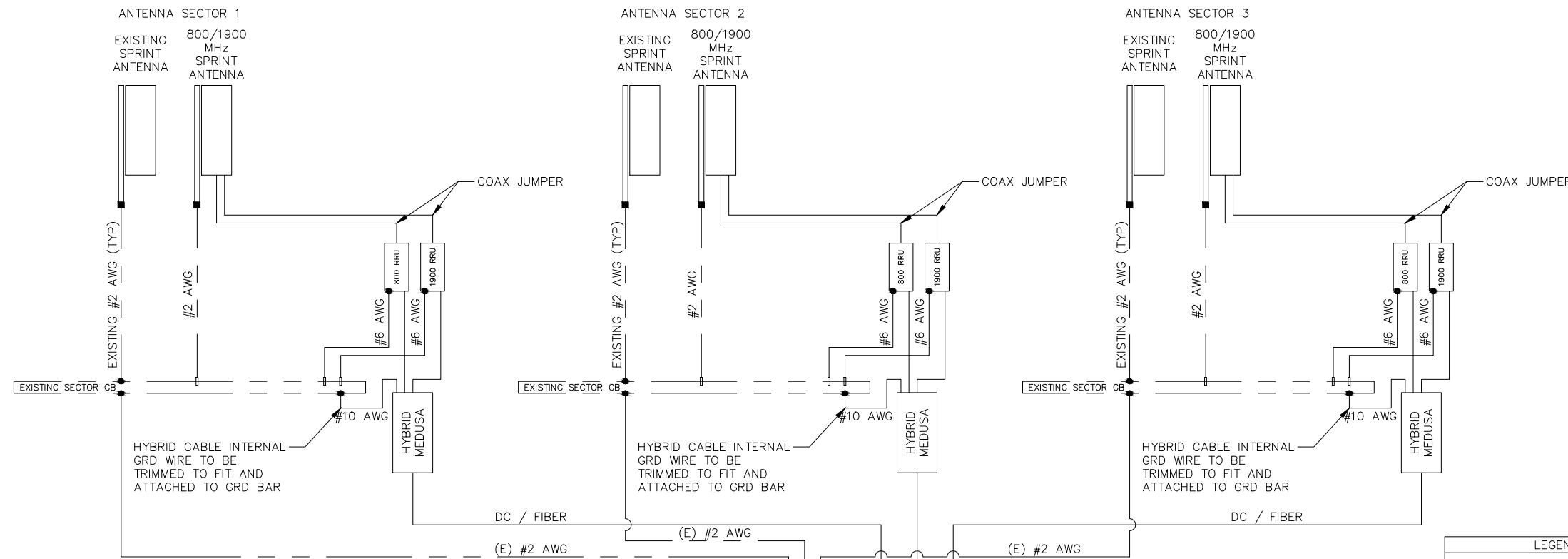
NETWORK VISION MMBS LAUNCH
KWIK CITY MUFLER
SL03XC136
CROWN CASTLE BU# 880534
2449 WEST 4000 SOUTH
ROY, UT 84067
WEBER COUNTY

DRAWN BY:	CHECKED BY:	DATE:
MM	JR	12-17-12

SHEET TITLE:
GROUNDING & ROUTING PLANS

SHEET NUMBER: REV.:

E-3 **1**



GROUNDING NOTES

1. ALL GROUNDING CONNECTIONS SHALL BE MADE BY EXOTHERMIC WELDS. EXOTHERMIC WELDS SHALL INCLUDE ALL CABLE TO CABLE, SPLICES, ETC. ALL CABLE TO GROUND RODS, GROUND RODS SPLICES AND LIGHTING PROTECTIONS SYSTEM AS INDICATED. GROUND FOUNDATION ONLY AS INDICATED BY PM. ALL MATERIALS USED (MOLDS, WELDING, METAL, TOOLS, ETC.) SHALL BE EXOTHERMIC WELDED AND INSTALLED PER MANUFACTURERS RECOMMENDATIONS AND PROCEDURES. GROUND CONDUCTOR SHALL HAVE A MINIMUM 24" BENDING RADIUS.
2. ALL EXOTHERMIC WELD CONNECTIONS ON GALVANIZED SURFACES SHALL BE CLEANED THOROUGHLY AND COLORED TO MATCH SURFACE WITH (2) TWO COATS OF GALVITE (WHITE) PAINT. OR SILVERBRITE (ALUMINUM).
3. ALL ELECTRICAL & MECHANICAL GROUND CONNECTIONS SHALL HAVE ANTIOXIDANT COMPOUND APPLIED TO CONNECTION.
4. GROUND TESTS SHALL BE PERFORMED AS REQUIRED BY SPRINT STANDARD PROCEDURES. GROUND GRID RESISTANCE SHALL NOT EXCEED 5-OHMS.
5. CONTRACTOR SHALL SUBMIT THE GROUND RESISTANCE TEXT REPORT AS FOLLOW:
 - A. ONE (1) COPY TO OWNER REPRESENTATIVE
 - B. ONE (1) COPY TO ENGINEER
 - C. ONE (1) COPY TO KEEP INSIDE EQUIPMENT INCLOSURE
6. ALL RADIO EQUIPMENT AND UTILITY CABINETS GROUNDS LEADS TO BE #2 AWG STRANDED GREEN JACKETED FROM BUSS TERMINAL.
7. FOR ADDITIONAL GROUNDING NOTES SHEET E01.
8. ALL ANTENNA MOUNT GROUNDS SHALL BE #2 AWG STRANDED GREEN JACKETED CABLE GROUNDS SHALL BE BLACK FROM MFR.
9. ALL GROUND WIRES FROM GROUND BARS TO GROUND SHALL BE #2 AWG SOLID BARE AS REQUIRED.
10. ALL ABOVE GROUND WIRES SHALL BE GREEN JACKETED. ALL GROUND WIRE'S PENETRATING INTO GROUND AND BELOW SHALL BE SOLID BARE.

PREPARED FOR:
Sprint

SAMSUNG
1301 EAST LOOKOUT DRIVE
RICHARDSON, TX 75082-4124

GENERAL DYNAMICS
WIRELESS SERVICES

REV.	DATE	REVISION DESCRIPTION	DRAWN BY	CHKD. BY
1	03-22-13	100% CONSTRUCTION DRAWINGS	JM	JR
2	03-19-13	100% CONSTRUCTION DRAWINGS	JM	JR
3	12-17-12	90% CONSTRUCTION DRAWINGS	MM	JR

CONSULTANT:
CALTROP Telecom
960 WEST ELLIOT ROAD
SUITE 116
TEMPE, AZ 85284

CROWN CASTLE
INTERNATIONAL

CONSULTANT:
JWCO
215 WEST MAIN STREET
MESQUITE, TX 75149
PHONE: 972.290.0716

ENGINEERING
AND DESIGN SUPPORT SERVICES
2021 Hawken Drive
PLANO, TX 75023
(972) 527-0300

NETWORK VISION MMBS LAUNCH
KWIK CITY MUFLER
SL03XC136
CROWN CASTLE BU# 880534
2449 WEST 4000 SOUTH
ROY, UT 84067
WEBER COUNTY

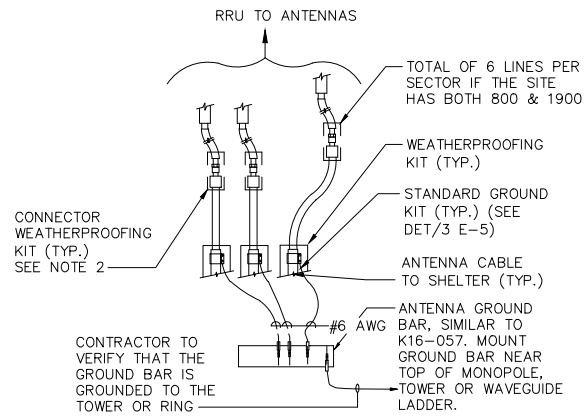
DRAWN BY: MM	CHECKED BY: JR	DATE: 12-17-12
-----------------	-------------------	-------------------

SHEET TITLE:
GROUNDING DETAILS

SHEET NUMBER:
E-4

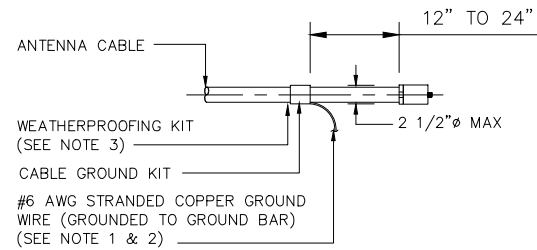
REV.:
1

- NOTES:
 1. DO NOT INSTALL CABLE GROUND KIT AT A BEND AND ALWAYS DIRECT GROUND WIRE DOWN TO ANTENNA GROUND BAR.
 2. WEATHER PROOFING SHALL BE ANDREWS. (TYPE & PART NUMBER AS SUPPLIED OR RECOMMENDED BY CABLE MANUFACTURER.)



1 TYP COAX GROUNDING

SCALE: NTS



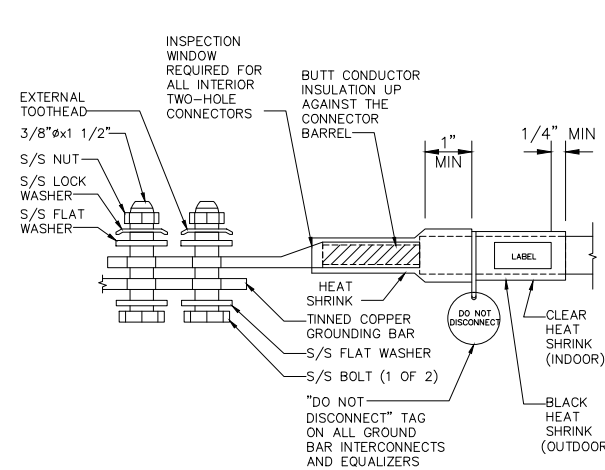
CONNECTION OF CABLE GROUND KIT TO ANTENNA CABLE

NOTES:

1. DO NOT INSTALL CABLE GROUND KIT AT A BEND AND ALWAYS DIRECT GROUND WIRE DOWN TO GROUND BAR.
 2. GROUNDING KIT SHALL BE ANDREW SUREGROUND TYPE KIT WITH TWO-HOLE LUG.
 3. WEATHER PROOFING SHALL INCORPORATE PPC WEATHERPROOFING TAPE KIT, COLD SHRINK SHALL NOT BE USED.

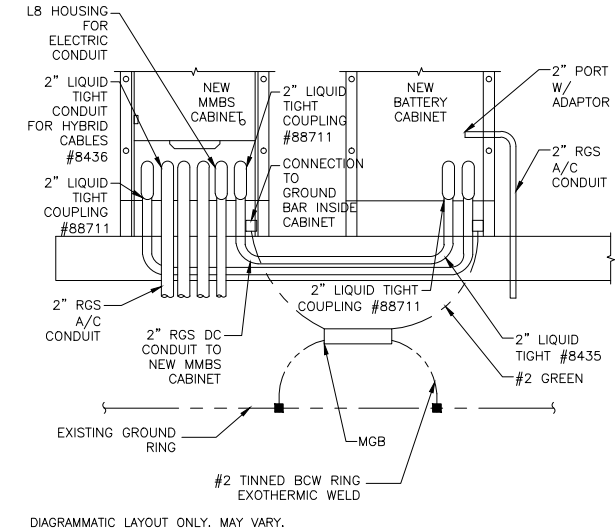
2 CABLE GROUNDING

SCALE: NTS



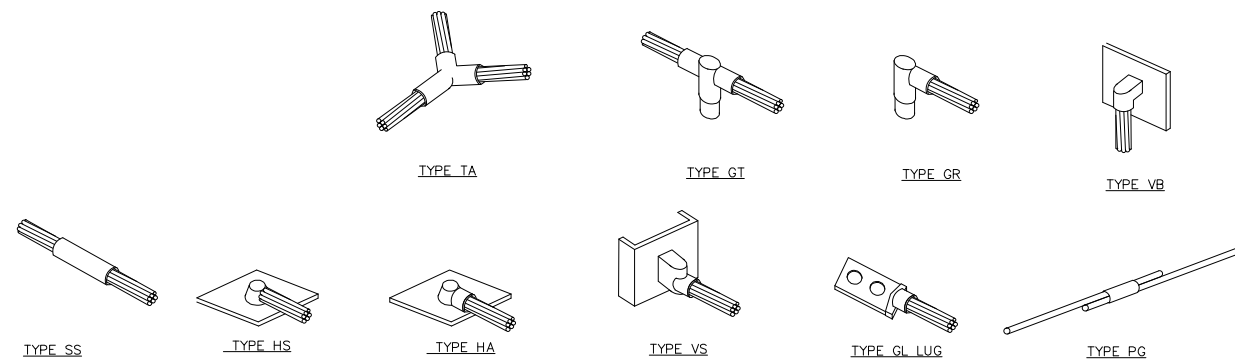
3 TWO HOLE LUG

SCALE: NTS



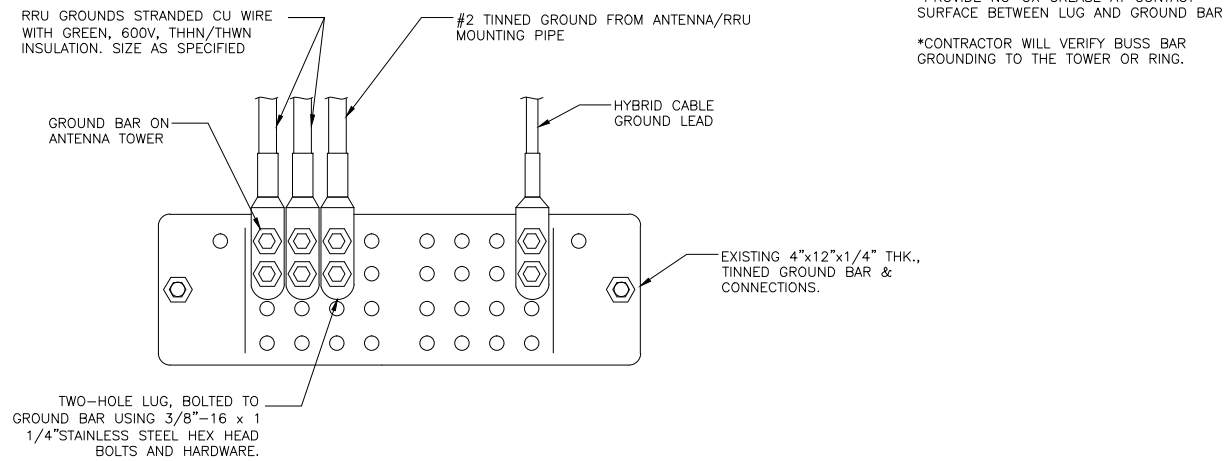
4 CABINET GROUNDING SCHEMATIC

SCALE: NTS



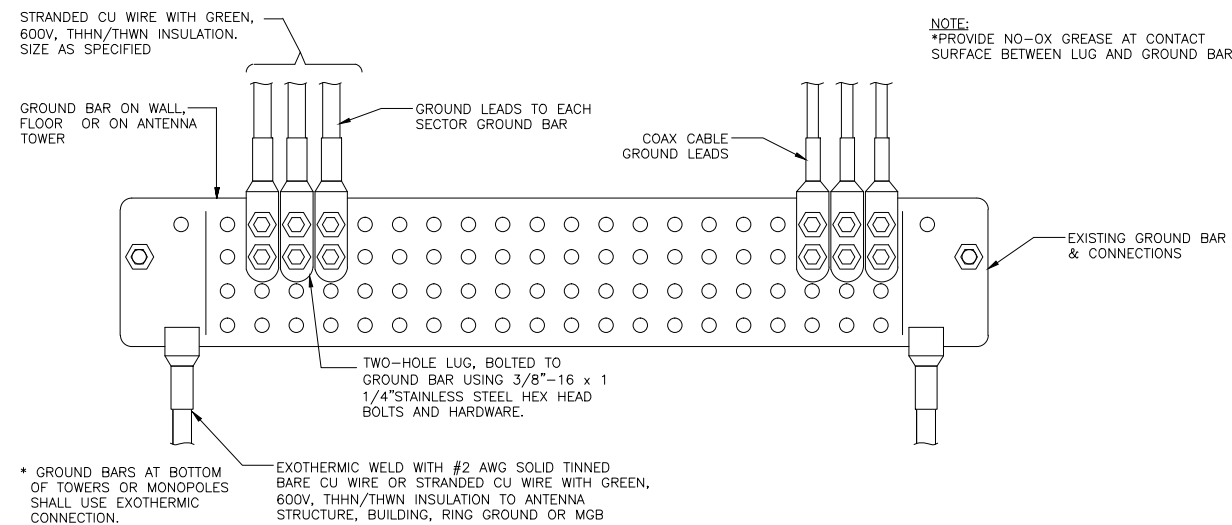
5 TYPICAL EXOTHERMIC WELD CONNECTIONS

SCALE: NTS



6 SECTOR GROUND BAR CONNECTIONS

SCALE: NTS



7 TOWER MASTER GROUND BAR CONNECTIONS

SCALE: NTS

PREPARED FOR:



1301 EAST LOOKOUT DRIVE
 RICHARDSON, TX 75082-4124

GENERAL DYNAMICS
 WIRELESS SERVICES

REV.	DATE	REVISION DESCRIPTION	DRAWN BY	CHKD. BY
1	03-22-13	100% CONSTRUCTION DRAWINGS	JM	JR
0	03-19-13	100% CONSTRUCTION DRAWINGS	JM	JR
A	12-17-12	90% CONSTRUCTION DRAWINGS	MM	JR

CONSULTANT:



960 WEST ELLIOT ROAD
 SUITE 116
 TEMPE, AZ 85284



CONSULTANT:



215 WEST MAIN STREET
 MESQUITE, TX 75149
 PHONE: 972.290.0716



NETWORK VISION MMBS LAUNCH
KWIK CITY MUFLER
SL03XC136
 CROWN CASTLE BU# 880534
 2449 WEST 4000 SOUTH
 ROY, UT 84067
 WEBER COUNTY

DRAWN BY:	CHECKED BY:	DATE:
MM	JR	12-17-12

SHEET TITLE:
GROUNDING DETAILS

SHEET NUMBER: REV.:

E-5 1