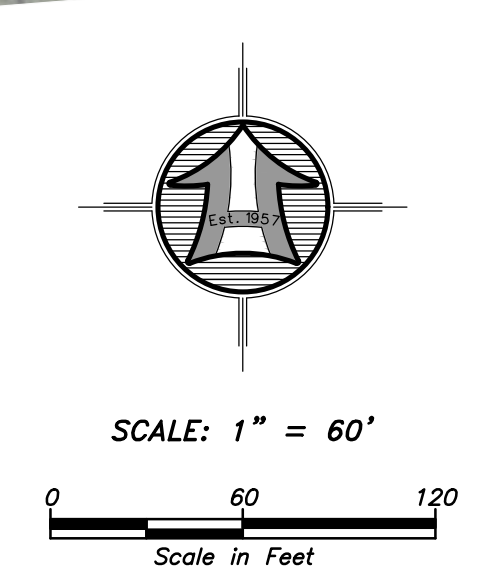


Slopes Table			
Number	Minimum Slope	Maximum Slope	Color
1	1.00%	25.00%	Yellow
2	25.00%	35.50%	Orange
3	35.50%	274.02%	Red

LEGEND

- Property Line
- - - Right-of-Way
- Centerline
- 5.0' Contour
- 1.0' Contour
- Found rebar set by others
- Set 5/8"x24" Rebar With Cap
- Section Corner



OVERALL SLOPE ANALYSIS MAP FOR
DOUG JONES
 NORTH OGDEN DIVIDE ROAD
 LIBERTY, UT

Drawn By: MTH Date: 05/18/20
 Designed By:
 Checked By:
 Approved By:
 Scale: 1" = 60'
 Drawing File: 18-3-246/19(05-02-20)
 JOB NUMBER: 18-3-246

HANSEN & ASSOCIATES, INC.
 Consulting Engineers and Land Surveyors
 538 North Main Street, Brigham, Utah 84302
 Visit us at www.hansen.net
 Brigham City Ogden Logan
 (435) 723-3461 (801) 398-4905 (435) 752-8272
 Celebrating 60 Years of Business

No.	Date	By	Revision

Sheet
1
 of
4
 Sheets