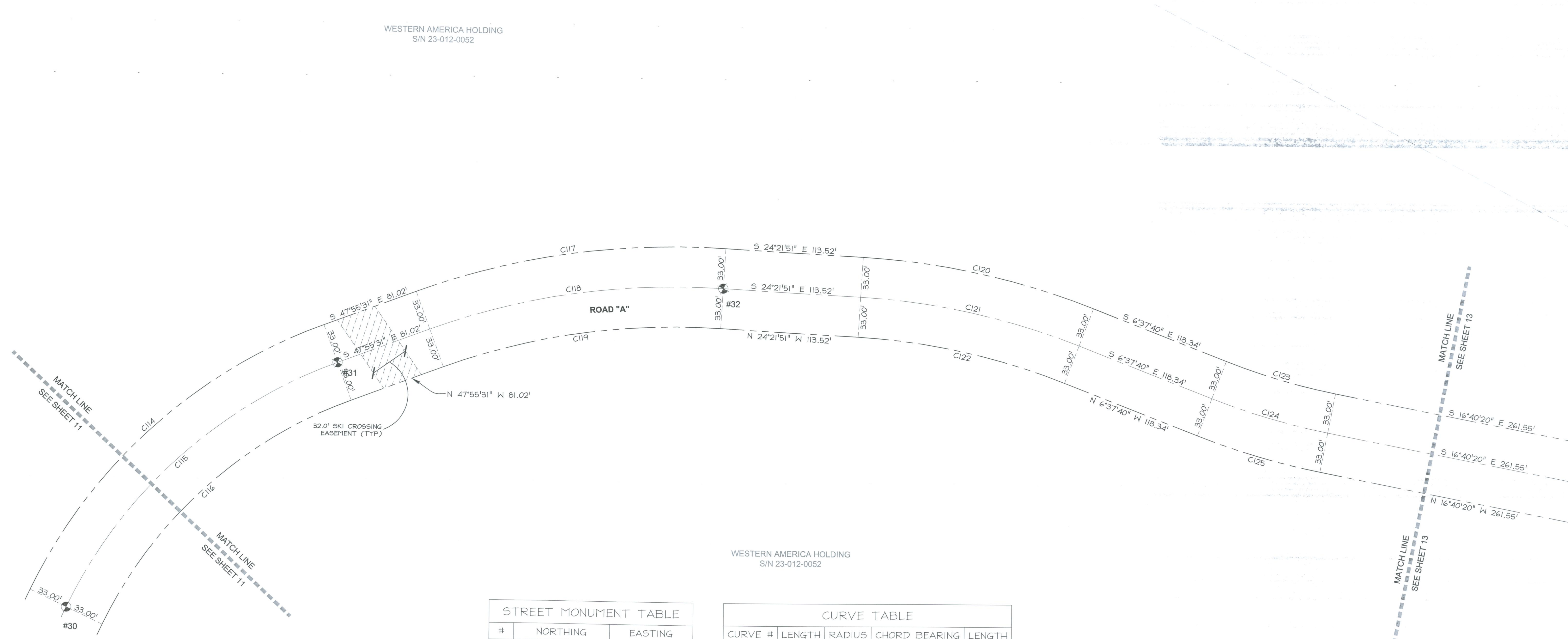


DATE: _____ TIME: _____ DRAWING NAME: _____
 SERVER: _____ SERVICE: _____ PLOTTING VIEW: _____
 DATE: _____ DESIGNED: _____

DEDICATION PLAT FOR ROAD "A" AND ROAD "E"

LOCATED IN SECTION 1 OF TOWNSHIP 7 NORTH, RANGE 1 EAST
AND SECTIONS 6, 5, & 8 OF TOWNSHIP 7 NORTH, RANGE 2 EAST,
SALT LAKE BASE AND MERIDIAN, WEBER COUNTY, UTAH

WESTERN AMERICA HOLDING
S/N 23-012-0052

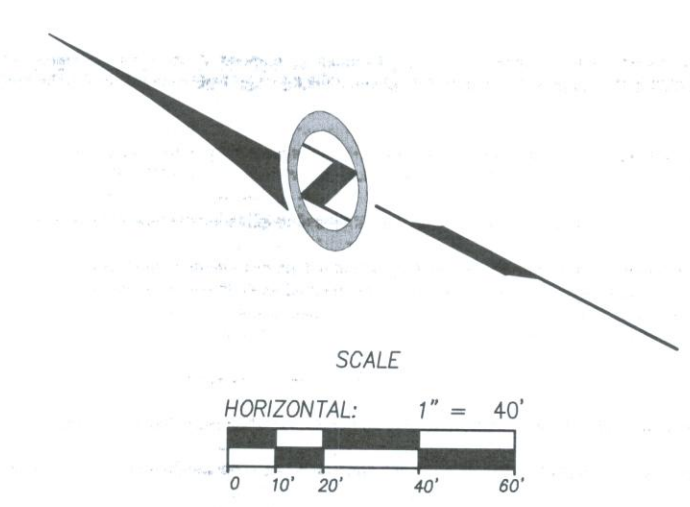


WESTERN AMERICA HOLDING
S/N 23-012-0052

STREET MONUMENT TABLE		
#	NORTHING	EASTING
30	3658015.10	1571122.55
31	3657912.30	1571405.73
32	3657660.17	1571610.37

CURVE TABLE				
CURVE #	LENGTH	RADIUS	CHORD BEARING	LENGTH
C114	334.37	433.00	N 70°02'50" W	326.12'
C115	308.88	400.00	N 70°02'50" W	301.26'
C116	283.40	367.00	N 70°02'50" W	276.41'
C117	260.30	633.00	N 36°08'41" W	258.47'
C118	246.73	600.00	N 36°08'41" W	245.00'
C119	233.16	567.00	N 36°08'41" W	231.52'
C120	195.95	633.00	N 15°29'46" W	195.17'
C121	185.74	600.00	N 15°29'46" W	184.99'
C122	175.52	567.00	N 15°29'46" W	174.82'
C123	94.21	537.42	S 11°39'00" E	94.09'
C124	100.00	570.42	S 11°39'00" E	99.87'
C125	105.79	603.42	S 11°39'00" E	105.65'

LEGEND	
	SECTION CORNER CALCULATED
	SECTION CORNER FOUND
	ROAD CENTER LINE MONUMENT
	COUNTY LINE
	SECTION LINE
	QUARTER SECTION LINE
	RIGHT OF WAY
	ROAD CENTER LINE
	OWNERSHIP LINE



Sheet 12 of 15

**DEDICATION PLAT FOR
ROAD "A"
AND ROAD "E"**

LOCATED IN SECTION 1 TOWNSHIP 7 NORTH,
RANGE 1 EAST AND SECTIONS 6, 5 AND 8 OF
TOWNSHIP 7 NORTH, RANGE 2 EAST, SALT LAKE
BASE AND MERIDIAN, WEBER COUNTY, UTAH

 NVL5 NOLTE VERTICAL FIVE <small>5217 SOUTH STATE STREET, SUITE 300 MURRAY, UT 84107 801.743.1300 TEL. 801.743.0300 FAX WWW.NOLTE.COM</small>	RECORDED #
	STATE OF UTAH, COUNTY OF WEBER, RECORDED AND FILED AT THE REQUEST OF: _____ ENTRY NO: _____
	DATE: _____ TIME: _____ BOOK: _____ PAGE: _____
FEE \$	WEBER COUNTY RECORDER