

SCALE	DATE	DESIGN	DRAWN	CHECKED
1/4" = 1'	FEBRUARY 2020	DJW	JCH	RC

REVISIONS	DESCRIPTION	DATE

REVIEW SET

SEWER LIFT STATION SITE PLAN
THE RIDGE - PHASE 4
LEWIS HOMES
EDEN, WEBER COUNTY, UTAH

GARDNER ENGINEERING
CIVIL - LAND PLANNING
MUNICIPAL - LAND SURVEYING

No. 8010280
RYAN A. CHRISTENSEN
STATE OF UTAH

5150 SOUTH 375 EAST OGDEN, UT
OFFICE: 801-476-0202 FAX: 801-476-0066

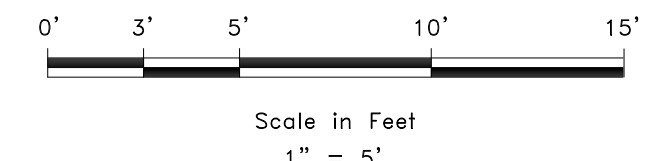
DEVELOPER:
LEWIS HOMES
ERIC HOUSEHOLDER
801-389-0040

1

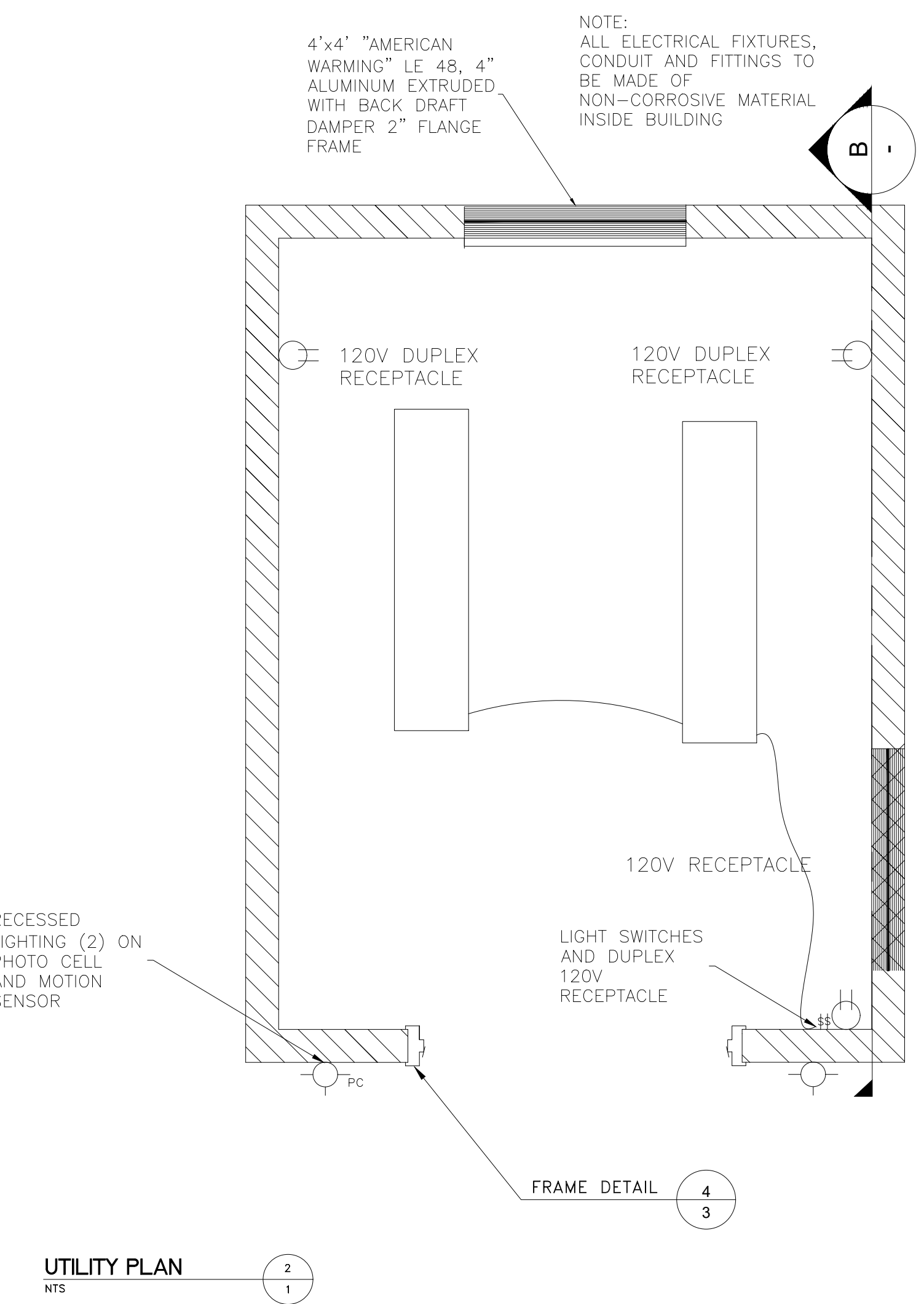
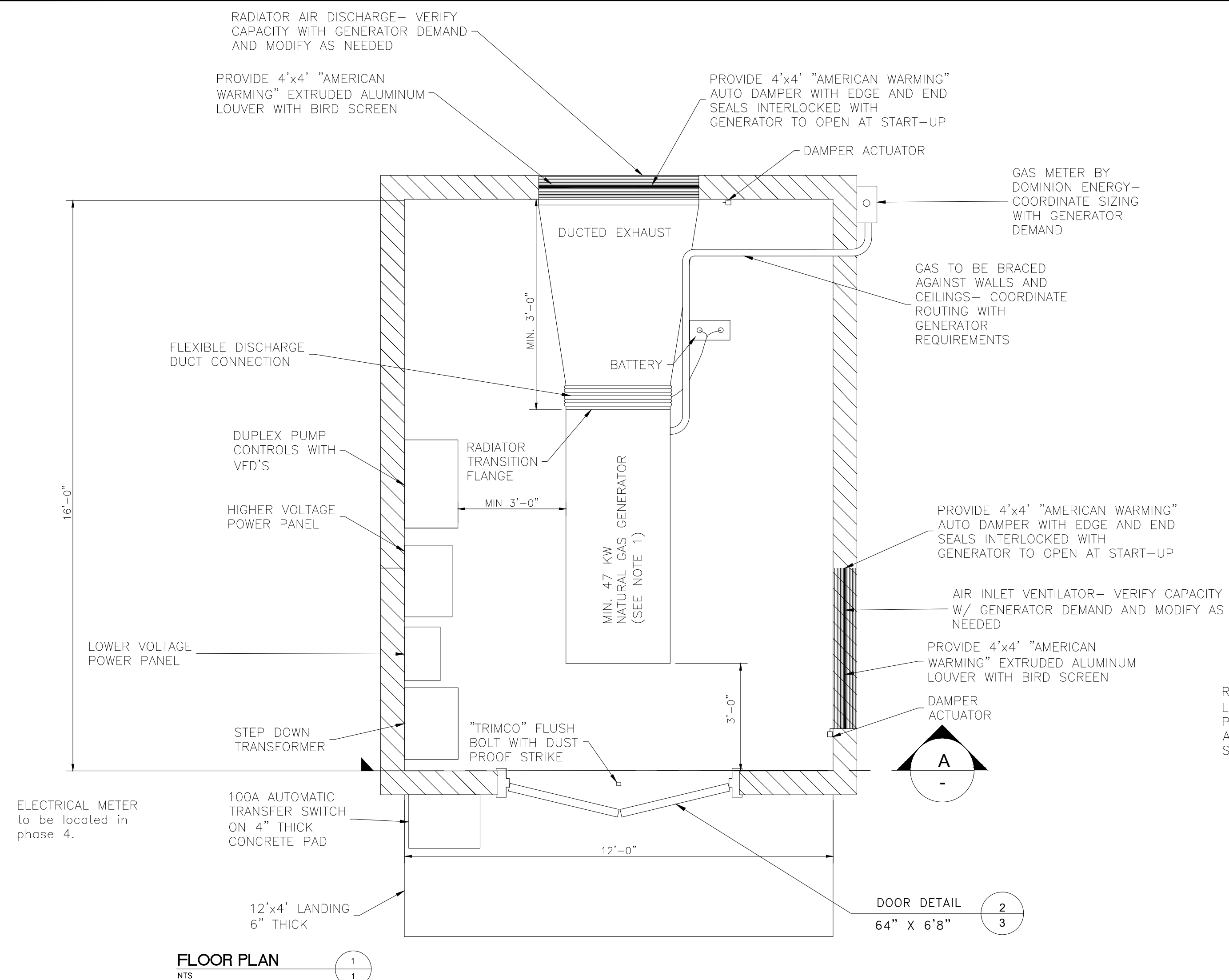
NOTES:
GRAVEL DRIVING SURFACE
-GRUB 12" AND COMPACT
-PLACE AND COMPACT 8" OF 3" MINUS WELL GRADED MATERIAL
-PLACE AND COMPACT 4" OF 3/4" UNTREATED ROAD BASE
-COMPACTION: 90% ASTM D1557

- ABBREVIATIONS:**
- EOA - EDGE OF ASPHALT
 - EOC - EDGE OF CONCRETE
 - EOG - EDGE OF GRAVEL
 - ET - EDGE OF TURF
 - FG - FINISH GRADE
 - GB - GRADE BREAK
 - INV - INVERT
 - TA - TOP OF ASPHALT
 - TBC - TOP BACK OF CURB
 - TC - TOP OF CONCRETE
 - TG - TOP OF GRADE
 - TGS - TOP OF GRAVEL SURFACE
 - TW - TOP OF WALK

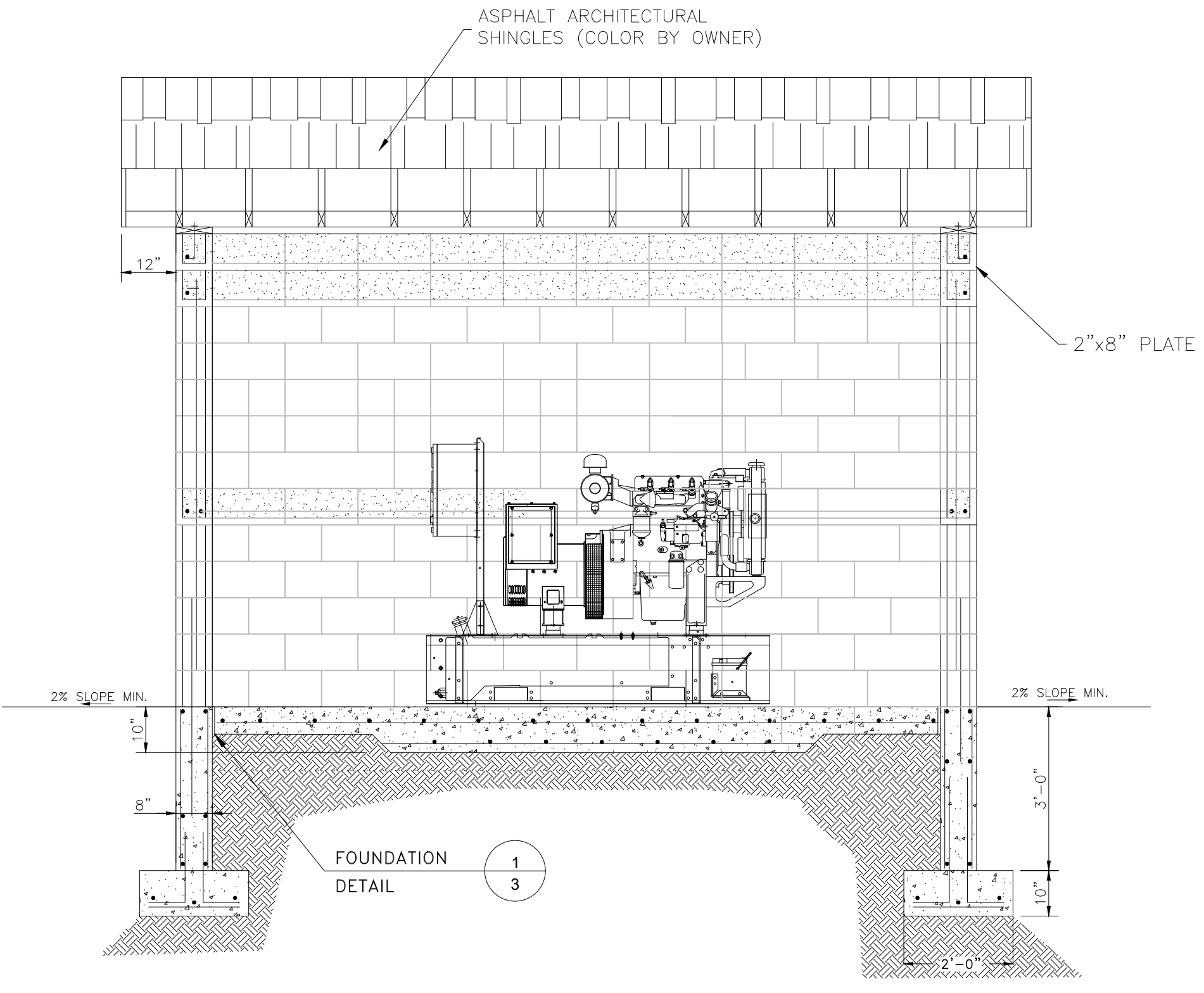
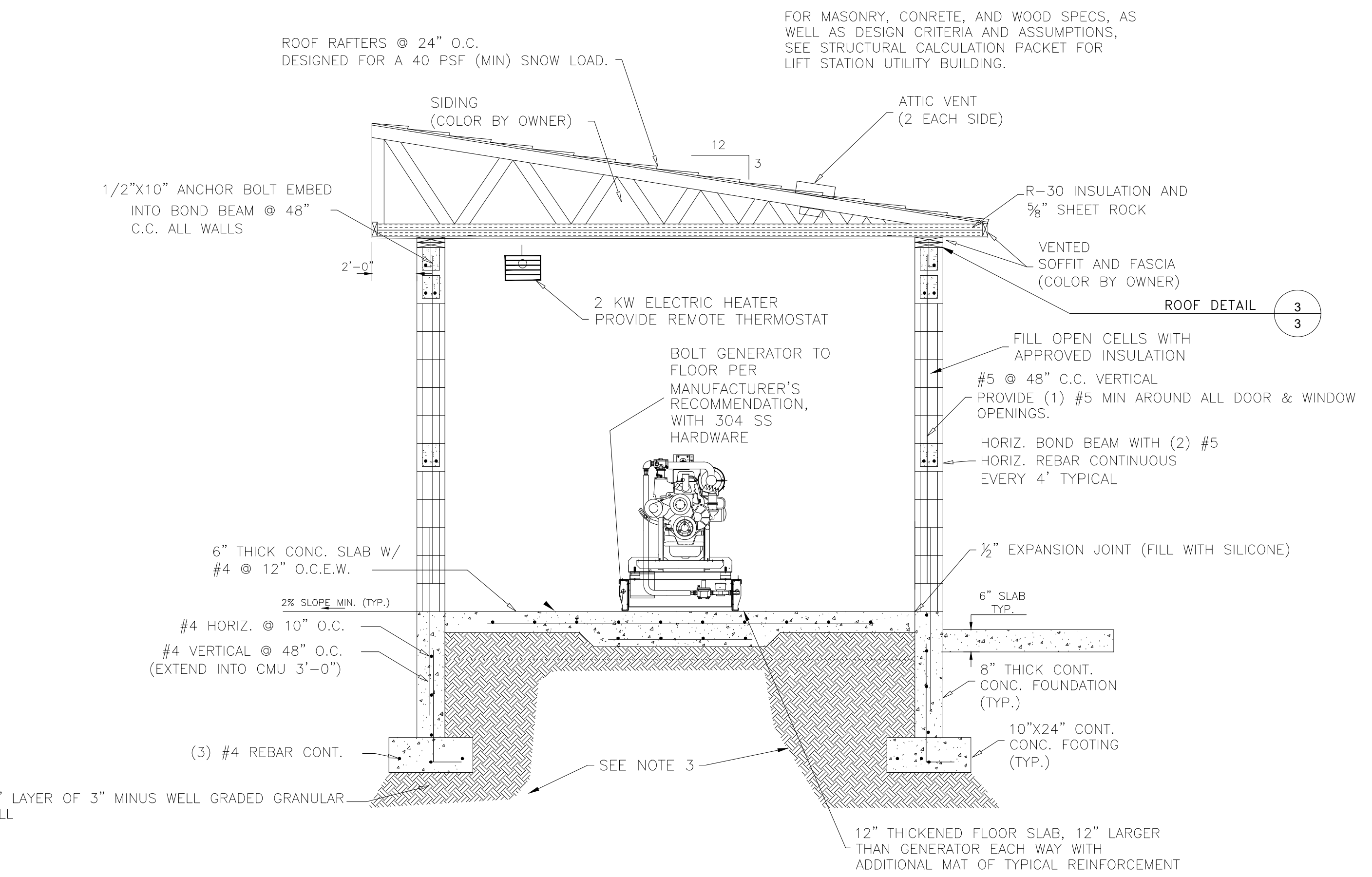
- LEGEND**
- — — — — PROPERTY LINE
 - — — — — ROAD CENTERLINE
 - — — — — EXISTING 1' CONTOUR
 - — — — — EXISTING 5' CONTOUR
 - — — — — FINISH GRADE 1' CONTOUR
 - — — — — EXISTING SANITARY SEWER
 - — — — — EXISTING PRESSURE SEWER
 - — — — — NEW PRESSURE SEWER
 - — — — — STORM DRAIN LINE
 - ⊙ NEW SANITARY SEWER MANHOLE
 - ▨ 8" GRAVEL DRIVING SURFACE



SCALE IS FOR SHEET SIZE 24X36



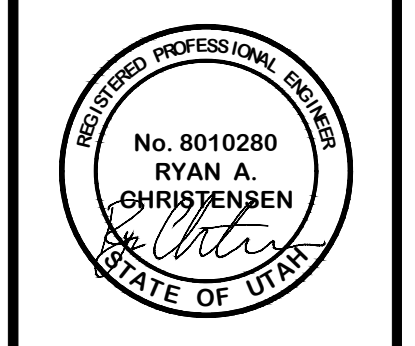
- NOTES:**
- NATURAL GAS GENERATOR SHALL BE SIZED TO PROVIDE EMERGENCY STANDBY POWER FOR THE LIFT STATION PUMPS, CAPABLE OF STARTING ONE PUMP WHILE RUNNING THE OTHER; ALSO PROVIDE POWER FOR UNIT HEATER, LIGHTING, AND 20 A RECEPTACLE DEMANDS, 3' X 7' FOOTPRINT SHOWN FOR REFERENCE. CONTRACTOR TO VERIFY ACTUAL DIMENSIONS OF PURCHASED GENERATOR. GENERAC, KOHLER, MTN, OR APPROVED EQUAL. GENERATOR SUPPLIER MUST PROVIDE SIZING CALCULATIONS BASED ON FULL HP-RATING OF THE PUMPS, PLUS INDICATED ACCESSORY LOADS, PRIOR TO PURCHASE. ADHERE TO ALL APPLICABLE CODES. PROVIDE BLOCK HEATER.
 - ALL EXTERIOR FINISHES AND LIGHTING SHALL CONFORM TO LOCAL ORDINANCES.
 - BUILDING FOOTINGS AND FLOOR SLAB SHALL BEAR ON A COMPACTED 4" THICK LAYER OF 3/4" UNTREATED ROAD BASE ON A COMPACTED 8" THICK LAYER OF 3" MINUS WELL GRADED GRANULAR FILL MATERIAL ON COMPACTED NATIVE MATERIALS. COMPACTION SHALL BE PERFORMED ON LAYERS NO MORE THAN 6" THICK OF LOOSE MATERIALS. COMPACTION SHALL REACH 95% OF MAXIMUM DRY DENSITY PER ASTM D-1557-
 - CONTRACTOR SHALL RETAIN MISSION CONTROL DEALER, DELCO-WESTERN (801-972-0900) TO FURNISH, INSTALL, AND INTEGRATE SCADA AT THIS LIFT STATION. AS A MINIMUM SCADA SHALL BE CAPABLE OF:
 - MONITORING:
 - WET WELL LEVEL + TRENDS
 - PUMP CUMULATIVE RUN TIME
 - PUMP STATUS
 - GENERATOR STATUS
 - GENERATOR RUN TIME
 - CONTROLS:
 - SET POINTS
 - PUMP OPERATION
 - GENERATOR OPERATION
 - REGULAR GENERATOR AUTOMATIC EXERCISE SCHEDULE
 - ALARM ACKNOWLEDGEMENT



REVIEW SET

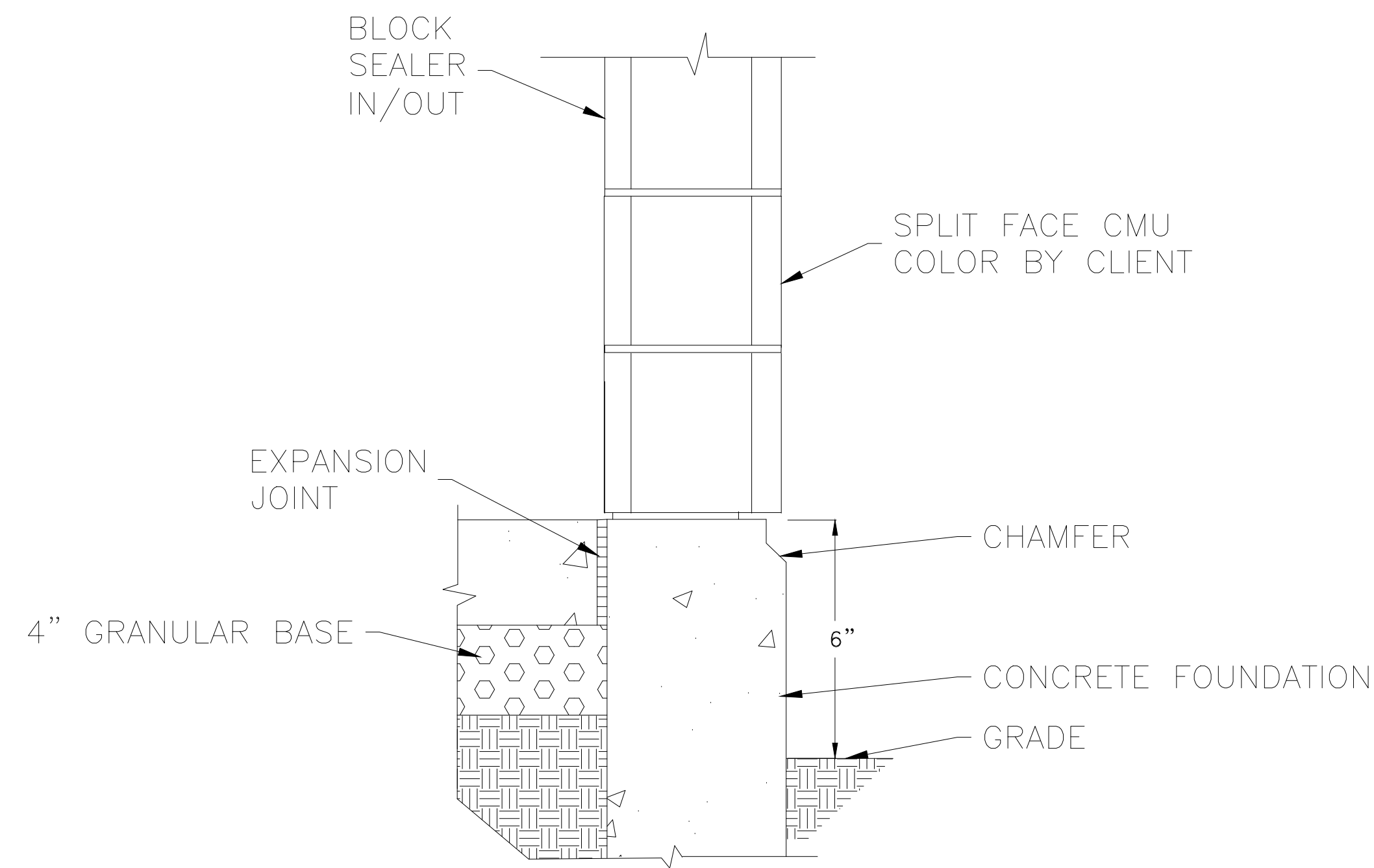
SCALE	DATE	DESIGN	DRAWN	CHECKED
1/8" = 1'-0"	FEBRUARY 2020	DLW	JCH	RC
REVISIONS	DESCRIPTION	DATE		

DWG: E:\2020\1303\DESIGN\BORG_DWG\SITE - THE RIDGE_TOWNHOMES.DWG



SEWER LIFT STATION- BUILDING PLAN
THE RIDGE - PHASE 4
LEWIS HOMES
EDEN, WEBER COUNTY, UTAH

GARDNER ENGINEERING
CIVIL-LAND PLANNING
MUNICIPAL-LAND SURVEYING
5150 SOUTH 375 EAST OGDEN, UT
OFFICE: 801-476-0202 FAX: 801-476-0066



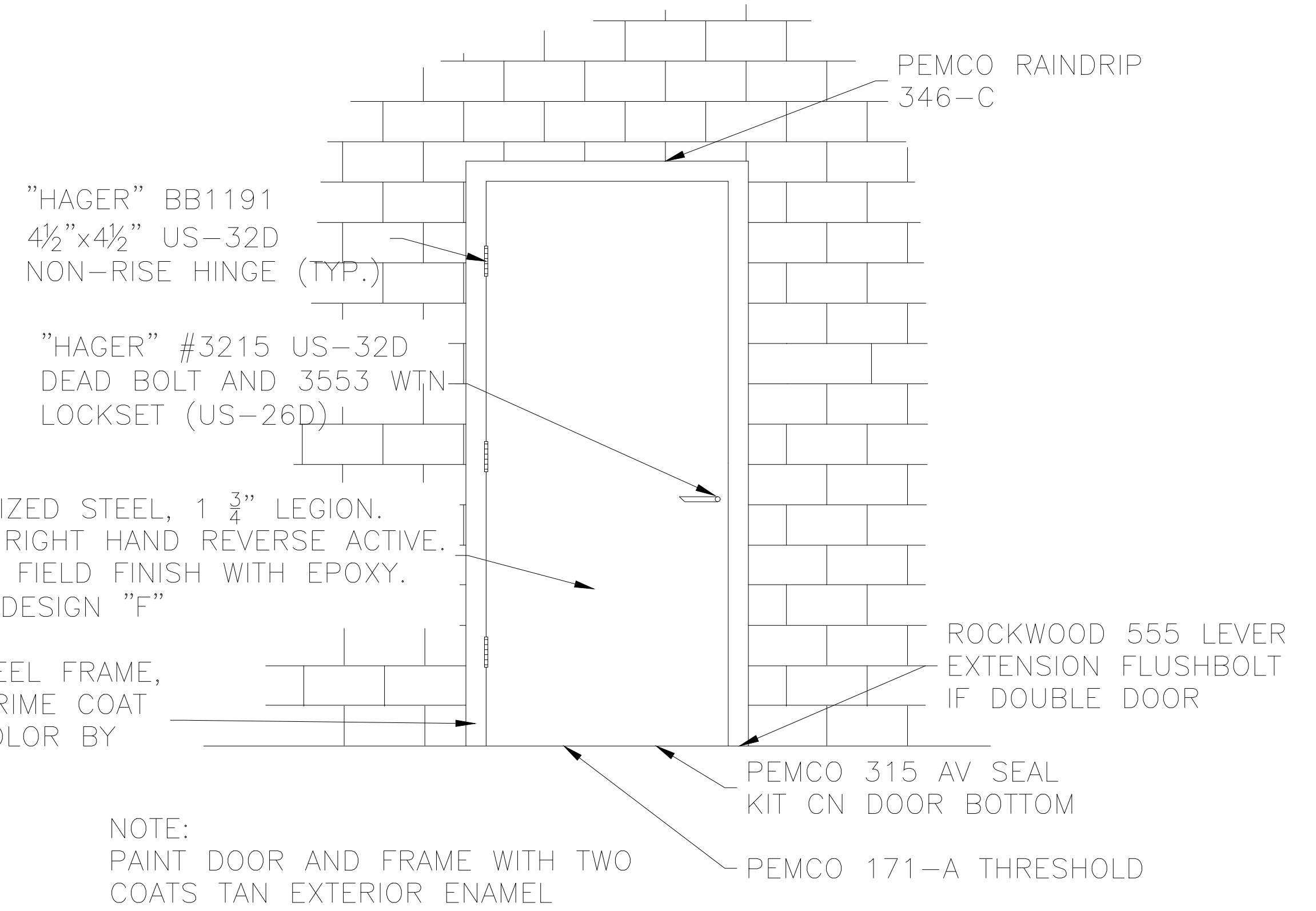
FOUNDATION DETAIL

NTS

1
2

CECO 18 GA. A60 GALVANIZED STEEL, 1 3/4" LEGION. RIGHT HAND REVERSE OR RIGHT HAND REVERSE ACTIVE. FACTORY PRIME COAT FOR FIELD FINISH WITH EPOXY. COLOR BY OWNER. DOOR DESIGN "F"

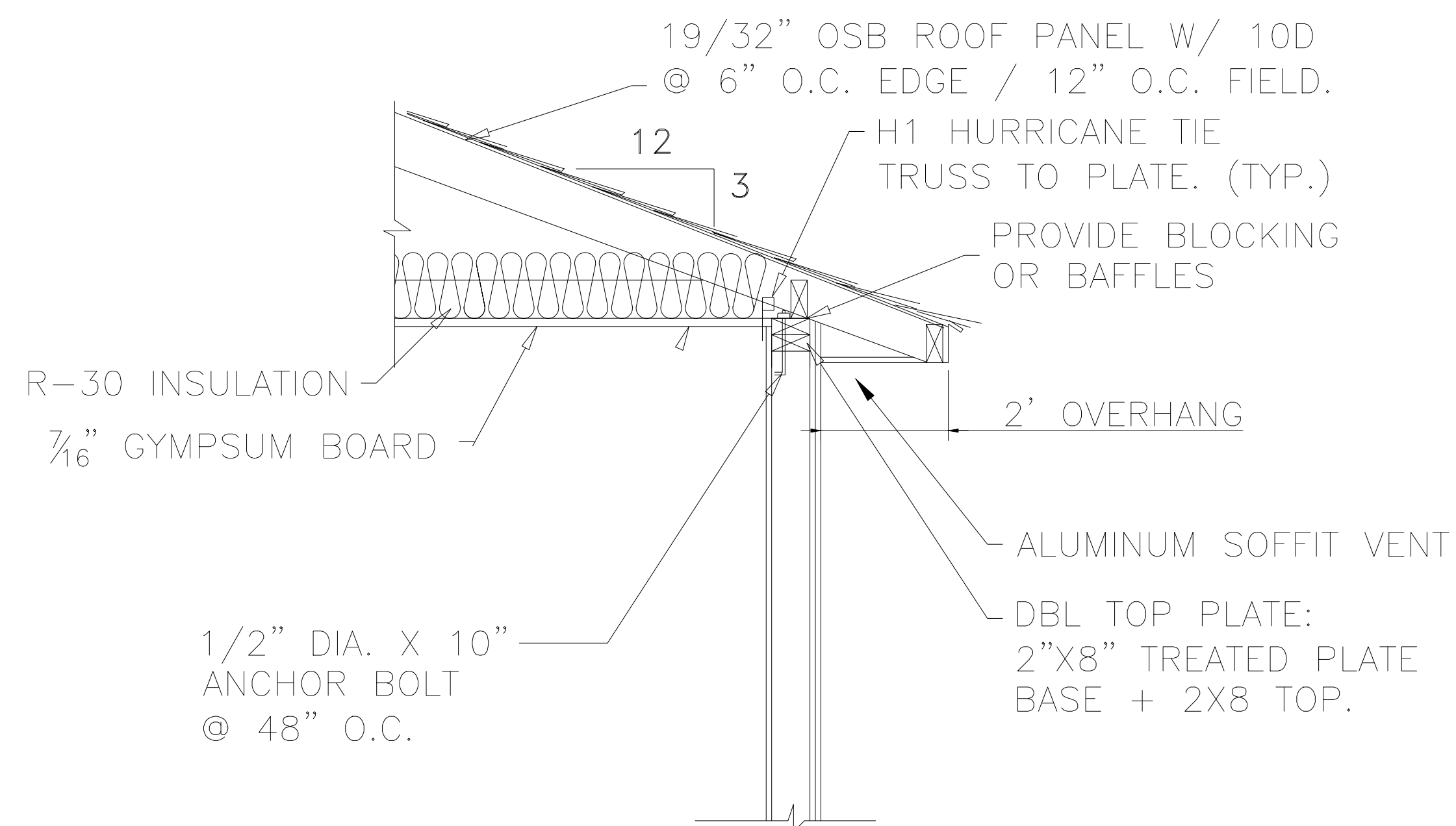
CECO 18 GA. A60 GALVANIZED STEEL FRAME, DIMENSION PER PLAN. FACTORY PRIME COAT FOR FIELD FINISH WITH EPOXY. COLOR BY OWNER. WIRE MASONRY ANCHOR.



DOOR DETAIL

NTS

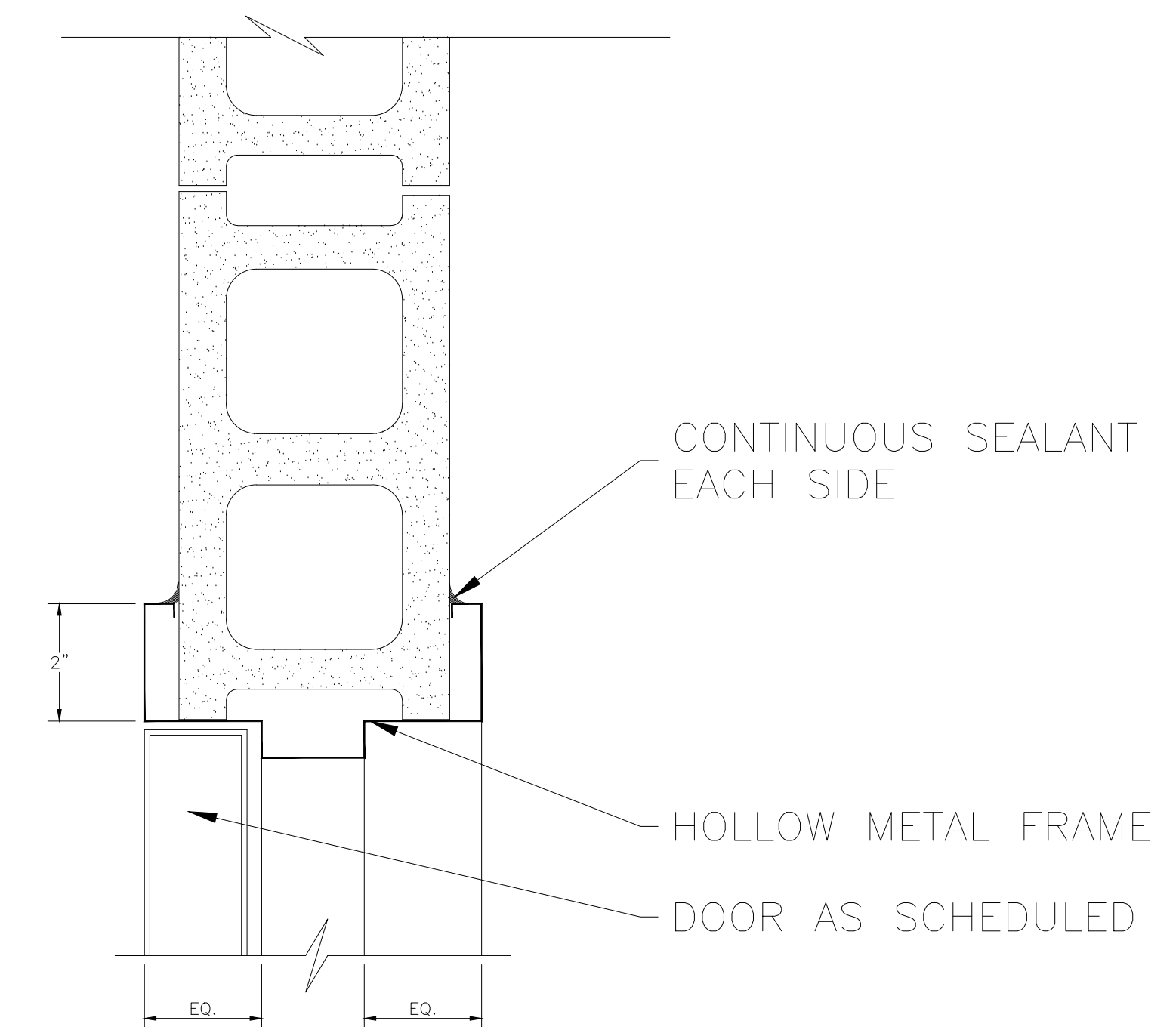
2
2



ROOF DETAIL

NTS (ALTERNATE OPTION)

3
2

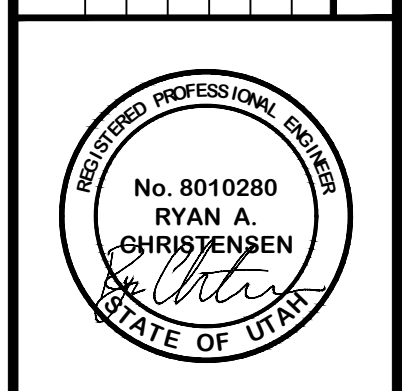


FRAME DETAIL

NTS

4
2

SCALE	DATE	DESIGN	DRAWN	CHECKED
1/4" = 1'-0"	FEBRUARY 2020	DLW	JCH	RC

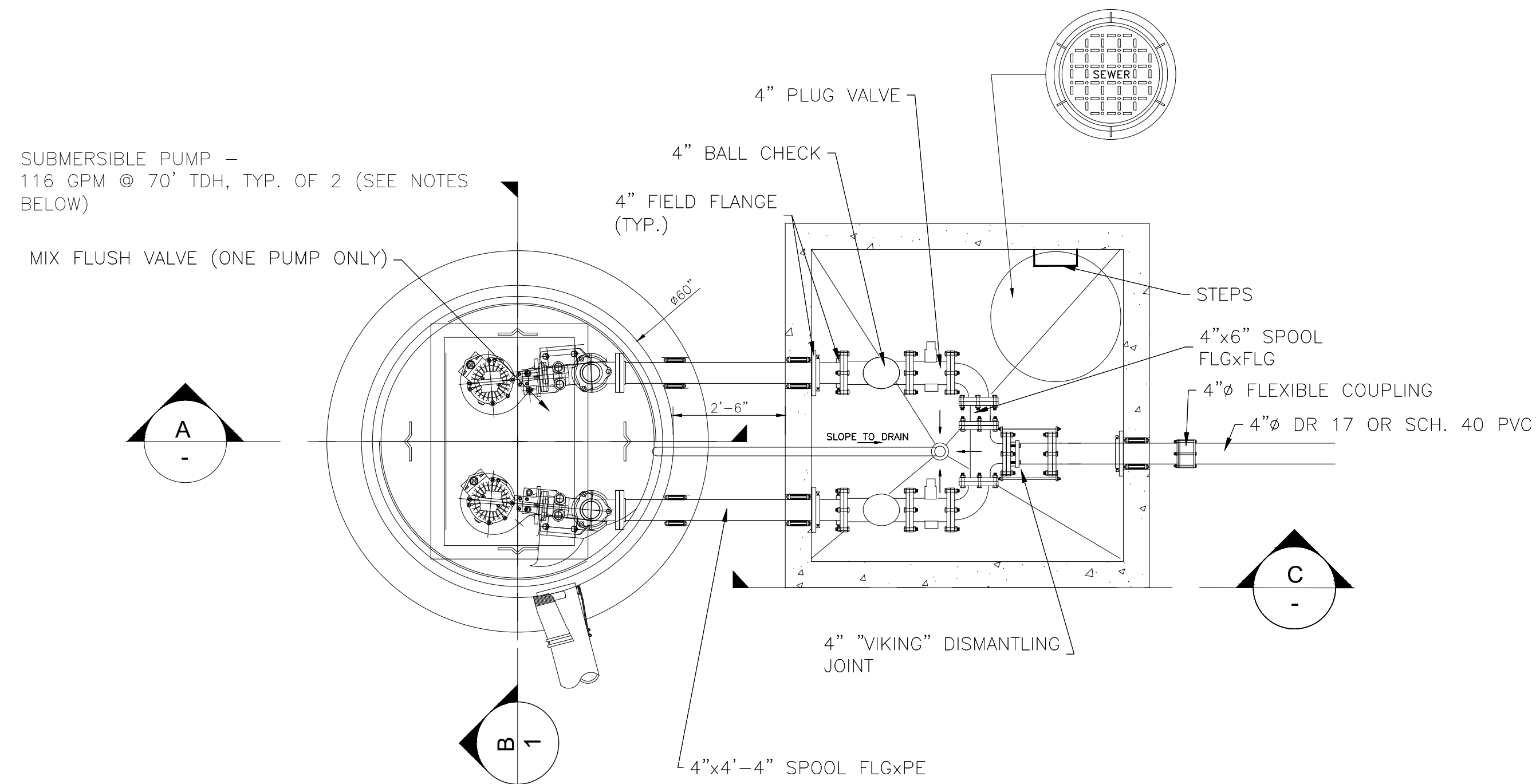


SEWER LIFT STATION BUILDING DETAILS
 THE RIDGE - PHASE 4
 LEWIS HOMES
 EDEN, WEBER COUNTY, UTAH

GARDNER ENGINEERING
 CIVIL • LAND PLANNING
 MUNICIPAL • LAND SURVEYING
 5150 SOUTH 375 EAST OGDEN, UT
 OFFICE: 801.476.0202 FAX: 801.476.0066

REVIEW SET

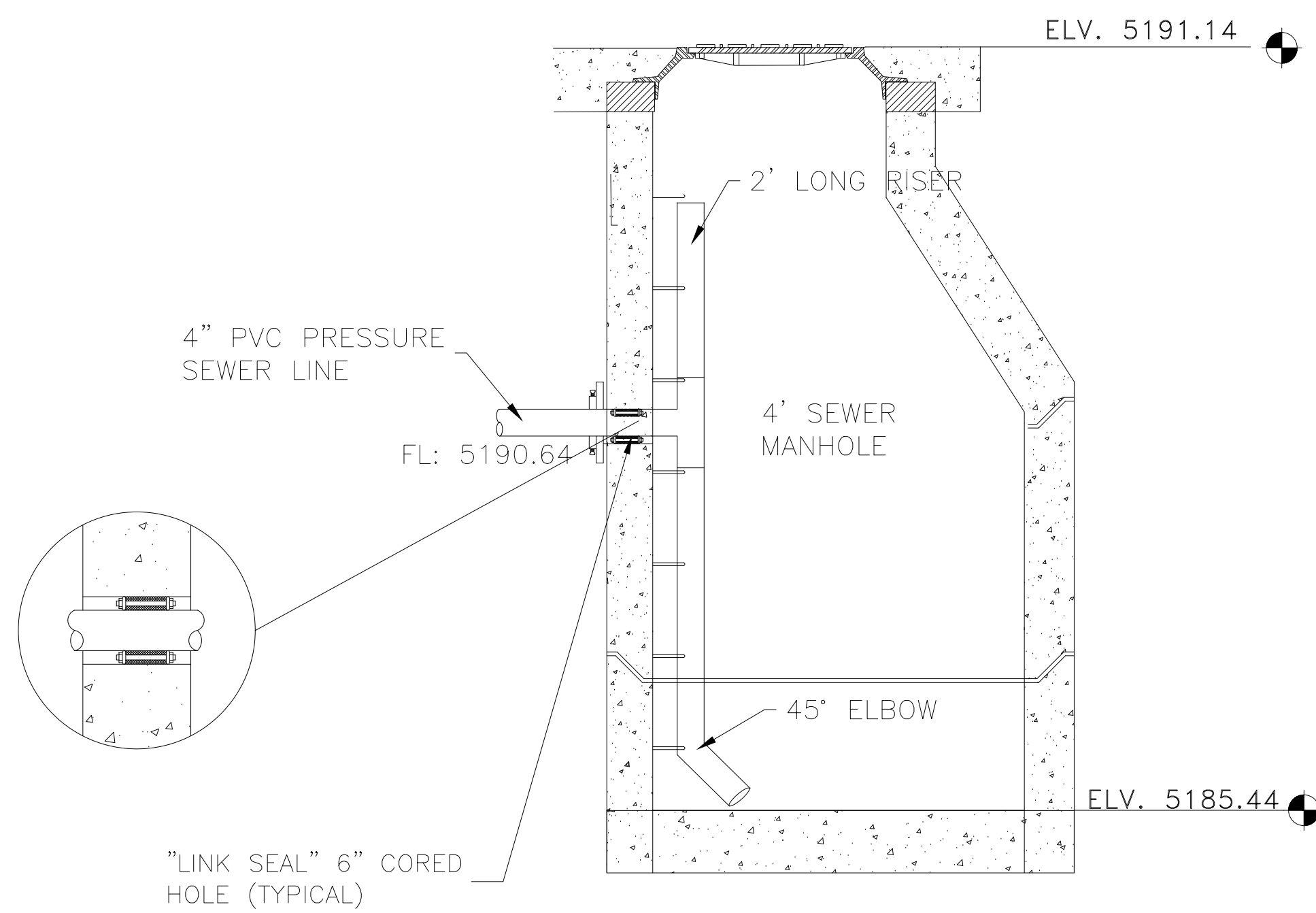
DEVELOPER:
 LEWIS HOMES
 ERIC HOUSEHOLDER
 801-389-0040



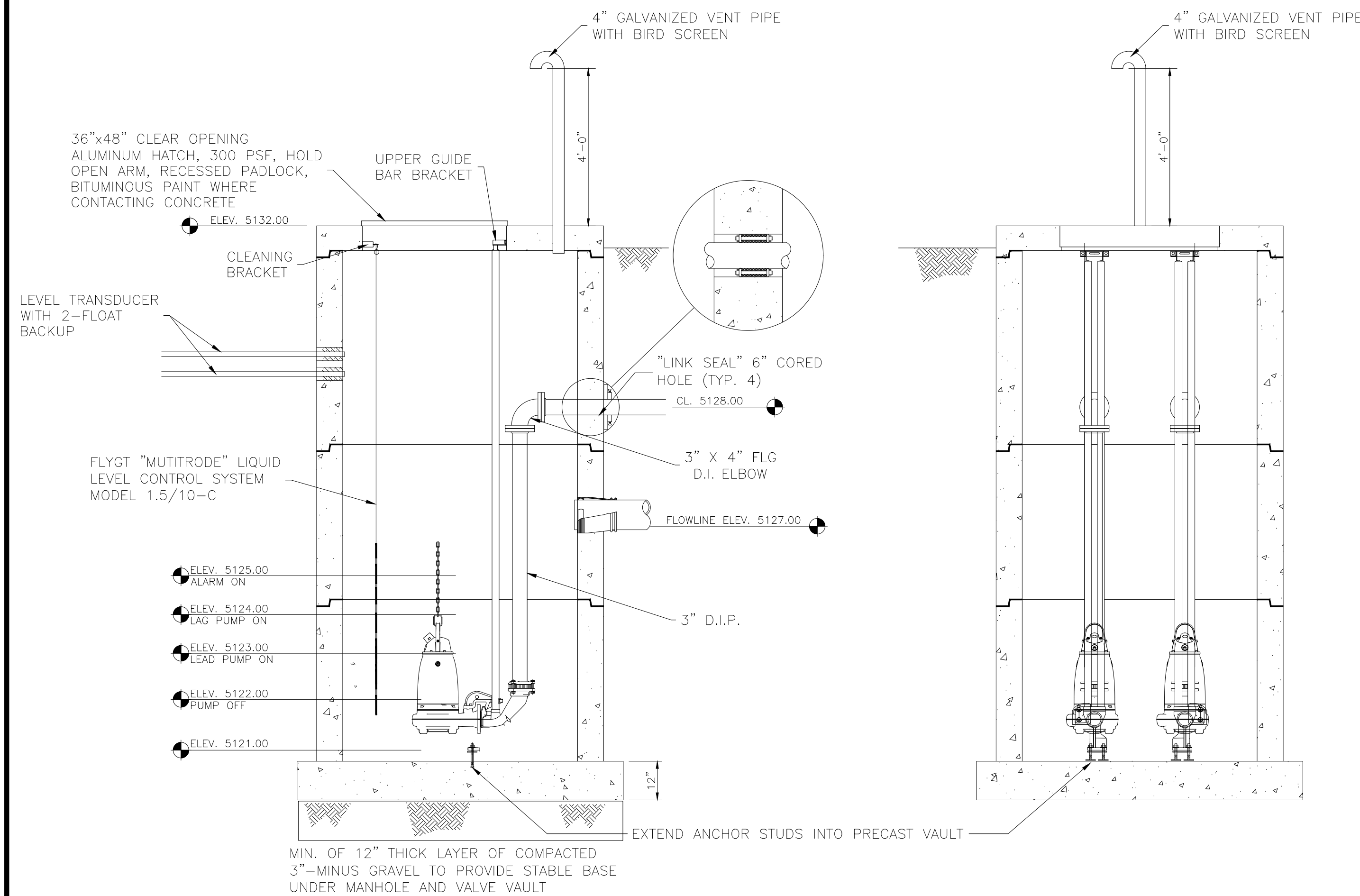
- SUBMERSIBLE PUMP SPECIFICATIONS:**
 PASS 3" SOLID
 VORTEX IMPELLER
 EXPLOSION PROOF PUMPS AND ELECTRICAL CONNECTIONS
 GRUNDFOS SLV.30.A30.100.EX.2.61R.C OR APPROVED
 EQUAL FROM HOMAS OR FLYGT WITH DUPLEX CONTROL
 PANEL, DOL, 3PH/480V
 CONTROLS MUST PROVIDE MOTOR+PUMP PROTECTION,
 NEMA 4X PANEL FOR MOUNTING INSIDE BUILDING
 AUTO COUPLING MOUNTING FLANGE SHALL BE ANSI
 STANDARD. RAIL, CABLE, CHAINS SHALL BE STAINLESS
 STEEL.
- PANEL DESCRIPTION:**
- DUPLEX SMART CONTROL PANEL
 - (1) STATION CONTROLLER
 - (1) I/O EXPANSION MODULE
 - (2) MOTOR PROTECTION MODULES
 - (1) NEMA 4X ENCLOSURE, TYPE 1, PADLOCK LATCH
 - (1) INNER DEAD FRONT DOOR
 - (1) PHASE LOSS RELAY
 - (1) 3-PHASE LIGHTNING ARRESTOR
 - (1) 500 VA 460V CONTROL TRANSFORMER WITH PRIMARY AND SECONDARY FUSING
 - (1) CONTROL CIRCUIT BREAKER WITH SEPARATE ALARM AND CONTROL FUSES
 - (2) HEAVY DUTY 22mm HOA SWITCH
 - (2) HEAVY DUTY 22mm PUMP RUN INDICATOR
 - (4) CONTROL RELAYS FOR 2 WIRE NORMALLY OPEN/NORMALLY CLOSED MOISTURE SENSOR
 - (2) HEAVY DUTY 22mm THERMAL INDICATOR
 - (2) HEAVY DUTY 22mm SEAL FAIL INDICATOR
 - (2) PUMP ELAPSED TIME METER - INNER DOOR MOUNT
 - (2) MOTOR PROTECTIVE SWITCH, 13-18 AMPS-SHORT CIRCUIT & OVERLOAD PROTECTION
 - (2) IEC MAGNETIC MOTOR CONTRACTOR, 18A
 - (1) FUSE BLOCK, FUSES, FOR MP204s
 - (1) IDEC POWER SUPPLY, 12 VDC, 30W
 - (1) 8 AMP HOUR BATTERY BACK UP WITH BRACKET
 - (1) EDWARDS RED FLASHING LED ALARM BEACON
 - (1) THE SOUNDER INGRAM BUZZER, 4"x4" SQUARE, RED
 - (1) SILENCE PUSH BUTTON, 22mm
 - (8) ALARM DRY CONTACTS-PUMP 1 SEAL FAIL, PUMP SEAL FAIL, PUMP 1 RUN, PUMP 2 RUN, PUMP 1 FAIL, PUMP 2 FAIL, HIGH LEVEL, GENERAL ALARM
 - (1) 2 FLOAT BACKUP CIRCUIT - HIGH/LOW ALARM ACTIVATION AND PUMP CONTROL WITH HEAVY DUTY HIGH AND LOW INDICATORS

NOTE: LIFT STATION AND VAULT TO BE BACKFILLED WITH IMPORTED GRANULAR MATERIAL AND COMPACTED TO 90% DRY DENSITY IN ACCORDANCE WITH ASTM D-1557

SEWER LIFT STATION
 NTS



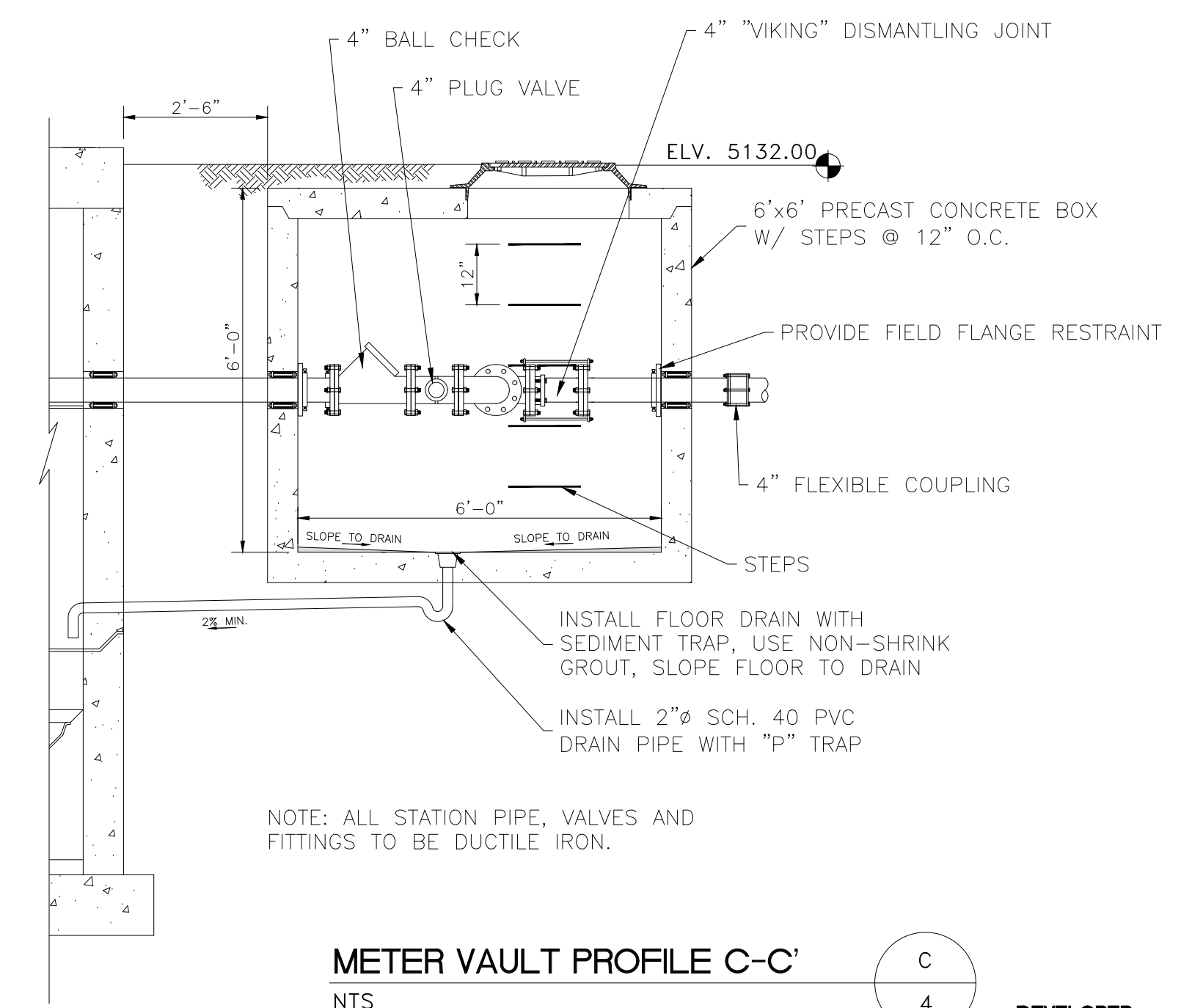
SEWER PRESSURE LINE-MANHOLE TO GRAVITY CONNECTION DETAIL
 NTS



SECTION PROFILE A-A'
 NTS

NOTE: LIFT STATION AND VAULT TO BE BACKFILLED WITH IMPORTED GRANULAR MATERIAL AND COMPACTED TO 95% DRY DENSITY IN ACCORDANCE WITH ASTM D-1557.

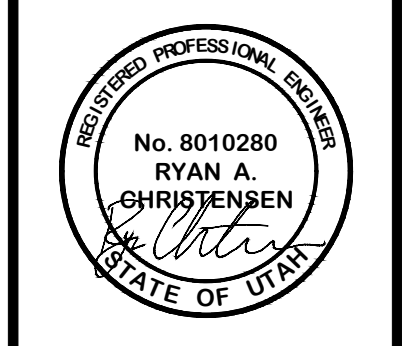
SEWER LIFT PROFILE B-B'
 NTS



METER VAULT PROFILE C-C'
 NTS

DEVELOPER:
 LEWIS HOMES
 ERIC HOUSEHOLDER
 801-389-0040

SCALE	MMMM
DATE	FEBRUARY 2020
DESIGN	DLW
DRAWN	JCH
CHECKED	RC
DWG: E:\ALLEN\2020\DESIGN\WEBER HOMES SITE - THE RIDGE - TOWNHOMES.DWG	



SEWER LIFT STATION DETAILS
 THE RIDGE - PHASE 4
 LEWIS HOMES
 EDEN, WEBER COUNTY, UTAH

GARDNER ENGINEERING
 CIVIL-LAND PLANNING
 MUNICIPAL-LAND SURVEYING
 5150 SOUTH 375 EAST OGDEN, UT
 OFFICE: 801-476-0202 FAX: 801-476-0066