

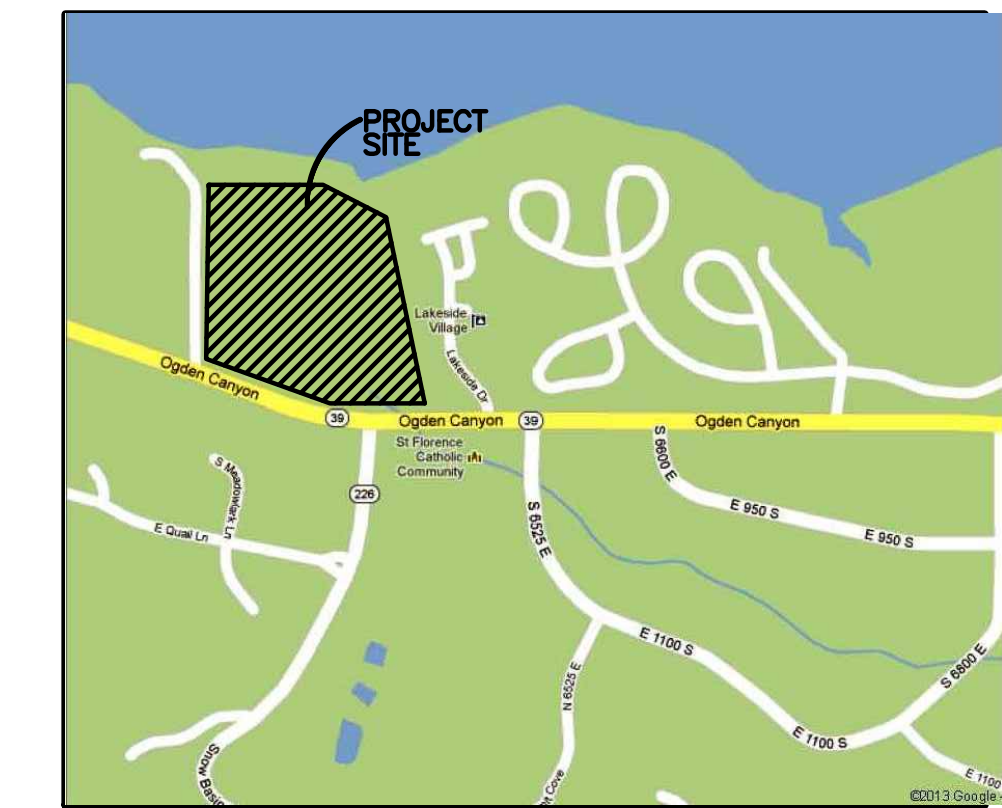
Project Narrative/Notes/Revisions

- 1) 3/18/13 CA - DESIGN CHANGES.
- 2) 6/24/13 CA - COUNTY ENGINEERS/ROAD WAY CHANGES.
- 3) 7/3/13 RH - COUNTY ENGINEERS/ROAD WAY CHANGES.
- 4) 8/16/13 RH - COUNTY ENGINEERS COMMENTS.

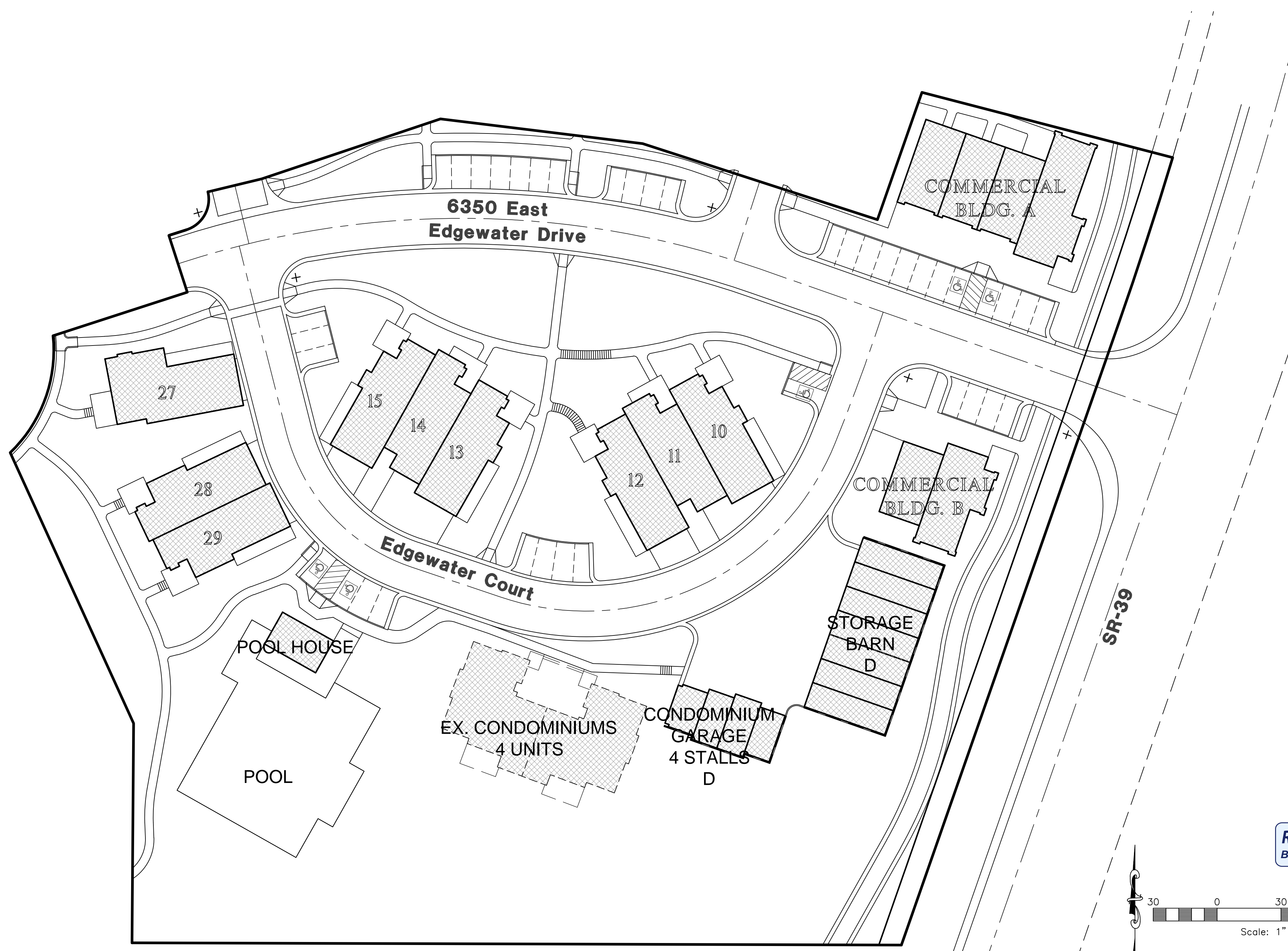
EDGEWATER ESTATES

Phase-1 Improvement Plans

WEBER COUNTY, UTAH
AUGUST 2013



Vicinity Map
NOT TO SCALE



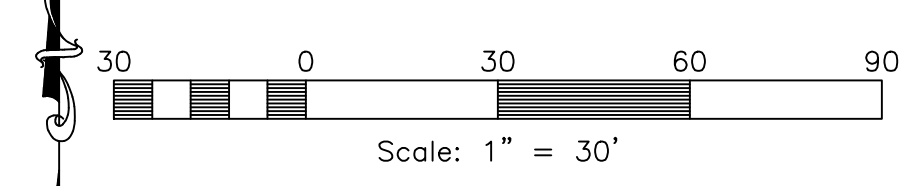
Sheet Index

- Sheet 1 - Cover/Index Sheet
- Sheet 2 - Edgewater Drive 20+00.00 - 24+49.74
- Sheet 3 - Edgewater Drive 24+49.74 - 29+50.00
- Sheet 4 - Edgewater Court 15+00.00 - 21+00.00
- Sheet 5 - Drainage & Grading Plan
- Sheet 6 - Utility Plan
- Sheet 7 - SD Calculations
- Sheet 8 - Details
- Sheet 9 - Rock Wall Details
- Sheet 10 - SWPPP
- Sheet 11 - SWPPP Details

General Notes

1. CONSTRUCTION STAKING TO BE PROVIDED BY REEVE & ASSOCIATES, INC.
2. ANY MODIFICATION TO THIS CONSTRUCTION PACKAGE OR TO THE CONSTRUCTION SCHEDULE SHALL BE APPROVED BY THE ENGINEER PRIOR TO SAID APPROVAL. ALL IMPROVEMENT DRAWINGS SHALL BE RESUBMITTED AND APPROVED BY THE ARCHITECT.
3. THE CONTRACTOR SHALL LOCATE, RETAIN AND PROTECT ALL EXISTING UTILITIES UNLESS OTHERWISE DIRECTED BY THE OWNER OR OWNER'S REPRESENTATIVE.
4. THE CONTRACTOR SHALL MAINTAIN 10 FOOT HORIZONTAL AND 18 INCH VERTICAL SEPARATION, CULINARY WATER LINES, SANITARY SEWER, AND STORM DRAIN LINES.
5. THE CONTRACTOR SHALL INSTALL ALL SANITARY SEWER MAINS, SERVICE LINES AND STORM DRAIN LINES PRIOR TO INSTALLING ANY WATER SYSTEM IMPROVEMENTS. ADJUST WATER MAIN DEPTH PER JURISDICTION AS REQUIRED TO AVOID SANITARY SEWER SERVICE LINES.
6. CONTRACTOR SHALL NOTIFY ARCHITECT OF ALL UTILITY CONFLICTS UPON DISCOVERY.
7. CONTRACTOR SHALL COORDINATE CONSTRUCTION AND INSTALLATION OF ELECTRICAL, TELEPHONE, NATURAL GAS AND CABLE TV SERVICES WITH THE RESPECTIVE UTILITY COMPANY. OWNER SHALL PAY ALL ASSOCIATED UTILITY COMPANY FEES.
8. CONTRACTOR SHALL BE RESPONSIBLE FOR PROPER SLOPE AND CONSTRUCTION OF CONNECTING SEWER PIPING.
9. CONTRACTOR SHALL BE RESPONSIBLE OF PROPER BACKFILLING, COMPACTING, AND PAVEMENT RESTORATION.
10. CONTRACTOR TO OBTAIN ALL NECESSARY PERMIT(S) AND COMPLY WITH ALL PERMITTING REQUIREMENTS.
11. ALL THRUST BLOCKS SHALL BE POURED IN PLACE AGAINST UNDISTURBED SOIL. ALL VALVES, FITTINGS, AND APPURTENANCES TO BE BLOCKED.
12. ALL EXPOSED NUTS AND BOLTS WILL BE COATED WITH A NON-OXIDE WASH AND WRAPPED IN 8-MIL POLYETHYLENE AS DIRECTED BY GEOTECHNICAL STUDY.
13. CONTRACTOR SHALL BE RESPONSIBLE FOR DUST CONTROL ACCORDING TO GOVERNING AGENCIES STANDARDS. WET DOWN DRY MATERIALS AND RUBBISH TO PREVENT BLOWING.
14. CONTRACTOR SHALL BE RESPONSIBLE FOR ANY DAMAGE TO ADJACENT SURFACE IMPROVEMENTS DURING CONSTRUCTION.
15. CONTRACTOR SHALL BE RESPONSIBLE FOR CORRECTING ANY SETTLEMENT OF OR DAMAGE TO EXISTING UTILITIES FOR WARRANTY PERIOD.
16. ALL EXISTING ASPHALT SHALL BE SAW CUT IN NEAT STRAIGHT LINES BY THE CONTRACTOR PRIOR TO EXCAVATION.
17. CONTRACTOR TO INSTALL MAGNETIC LOCATING TAPE CONTINUOUSLY OVER ALL PVC PIPING.
18. THE CONTRACTOR IS RESPONSIBLE TO FURNISH ALL MATERIALS TO COMPLETE PROJECT.
19. TRAFFIC CONTROL IS TO CONFORM TO THE CURRENT CITY AND/OR STATE TRANSPORTATION ENGINEERS' MANUAL.
20. A UPDES GENERAL CONSTRUCTION STORM WATER PERMIT MUST BE OBTAINED BY THE GENERAL CONTRACTOR PRIOR TO COMMENCING CONSTRUCTION.
21. ALL WORK SHALL CONFORM TO WEBER COUNTY STANDARD SPECIFICATIONS AND DRAWINGS.

RECEIVED
By Michael Tuttle at 2:49 pm, Aug 19, 2013



Elevation Datum
SITE BENCHMARK:
BENCH MARK MONUMENT NO. 3-JRH
ELEVATION 4969.025

Engineer's Notice To Contractors
THE EXISTENCE AND LOCATION OF ANY UNDERGROUND UTILITY PIPES OR STRUCTURES SHOWN ON THESE PLANS WERE OBTAINED FROM AVAILABLE INFORMATION PROVIDED BY OTHERS. THE LOCATIONS SHOWN ARE APPROXIMATE AND SHALL BE CONFIRMED IN THE FIELD BY THE CONTRACTOR, SO THAT ANY NECESSARY ADJUSTMENT CAN BE MADE IN ALIGNMENT AND/OR GRADE OF THE PROPOSED IMPROVEMENT. THE CONTRACTOR IS REQUIRED TO CONTACT THE UTILITY COMPANIES AND TAKE DUE PRECAUTIONARY MEASURE TO PROTECT ANY UTILITY LINES SHOWN, AND ANY OTHER LINES OBTAINED BY THE CONTRACTOR'S RESEARCH, AND OTHERS NOT OF RECORD OR NOT SHOWN ON THESE PLANS.

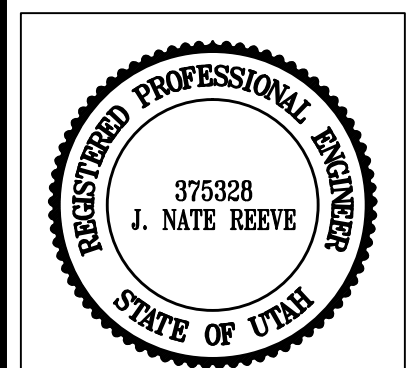
Contact:
REESE HOWELL, JR.
CELTIC BANK 268 S. STATE
STREET, UT. 84111
PH: (801) 363-6500

Blue Stakes Location Center
Call: Toll Free
1-800-662-4111
Two Working Days Before You Dig

Reeve & Associates, Inc.
920 CHAMBERS STREET, SUITE 14, OGDEN, UTAH 84403
TEL: (801) 921-2100 FAX: (801) 621-2666 www.reeve-assoc.com
LAND PLANNERS • CIVIL ENGINEERS • LAND SURVEYORS
TRAFFIC ENGINEERS • STRUCTURAL ENGINEERS • LANDSCAPE ARCHITECTS

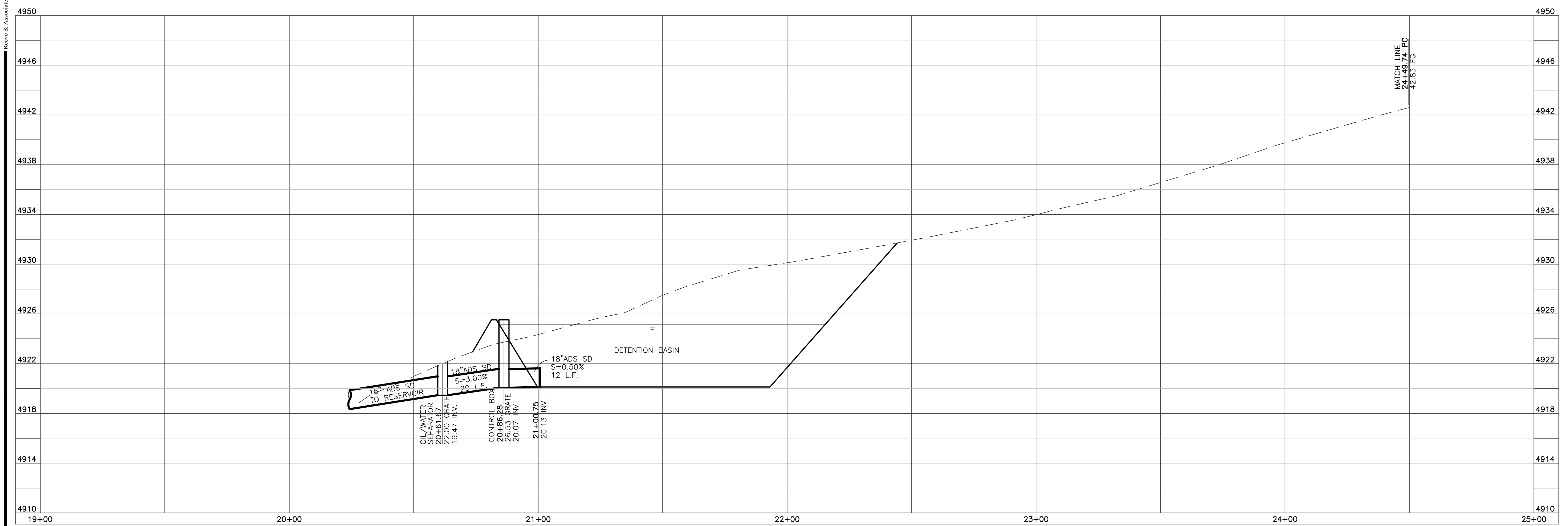
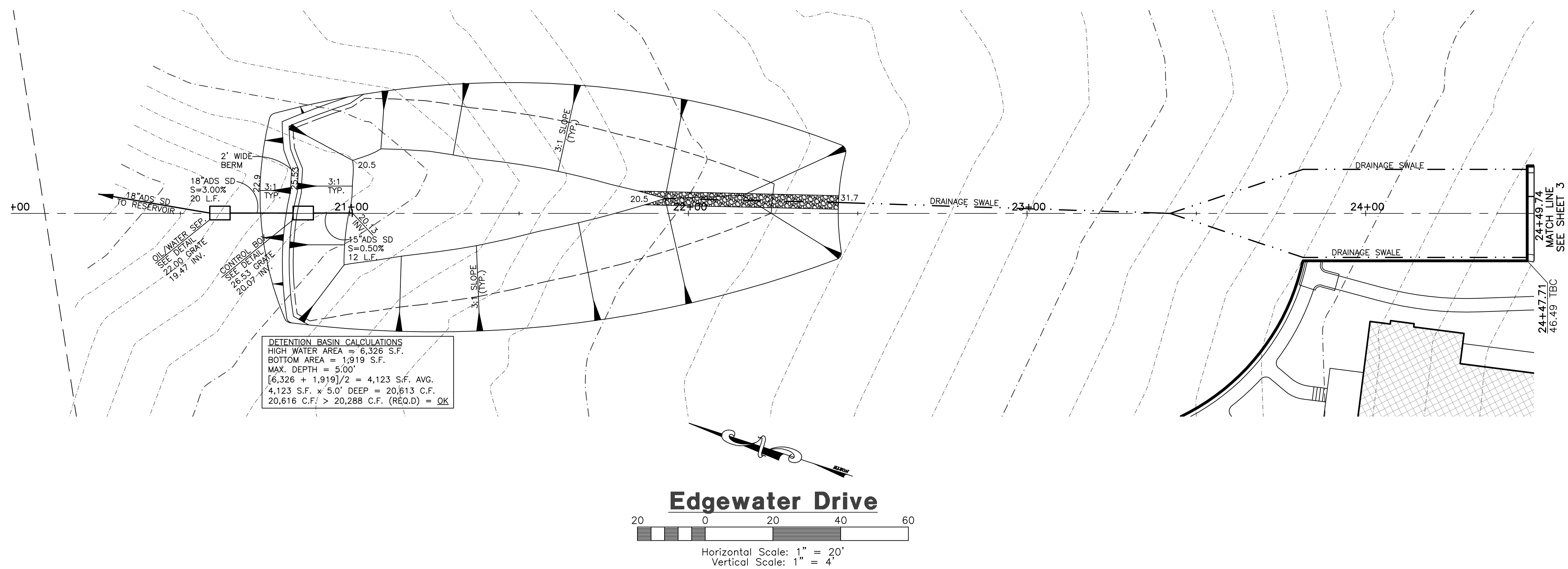
REVISIONS	DATE	DESCRIPTION
7-20-12	RH	Utility Changes
7-31-12	RH	Design Complete
8-21-12	CA	Design Complete
8-21-12	RH	Co. Eng. Review
8-16-13	RH	Co. Eng. Review

Edgewater Beach Resort
Phase-1
WEBER COUNTY, UTAH
Cover/Index Sheet



Project Info.
Engineer:
J. NATE REEVE, P.E.
Drafted:
R. HANSEN
Begin Date:
JULY 09, 2012
Name:
EDGEWATER BEACH
RESORT
PHASE-1
Number: 5917-15

Sheet **11**
1 Sheets

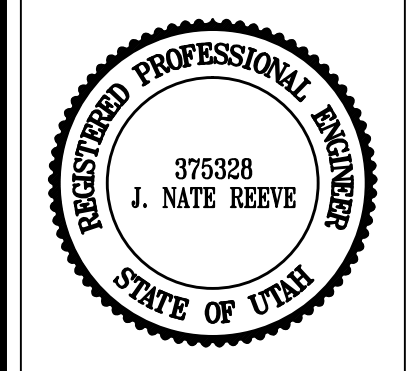


Reeve & Associates, Inc.
 920 CHAMBERS STREET, SUITE #14, OGDEN, UTAH 84403
 TEL: (801) 621-2100 FAX: (801) 621-2666 WWW: REEVE-ASSOC.COM
 LAND PLANNERS • CIVIL ENGINEERS • LAND SURVEYORS
 TRAFFIC ENGINEERS • STRUCTURAL ENGINEERS • LANDSCAPE ARCHITECTS

DATE	DESCRIPTION
7-20-12	RH Utility Changes
7-31-12	RH Design Complete
3-14-13	CA Design Complete
6-21-13	RH Co. Eng. Review
7-3-13	RH Co. Eng. Review
8-16-13	RH Co. Eng. Review

Edgewater Beach Resort Phase-1
 WEBER COUNTY, UTAH
Edgewater Drive
 20+00.00 - 24+49.74

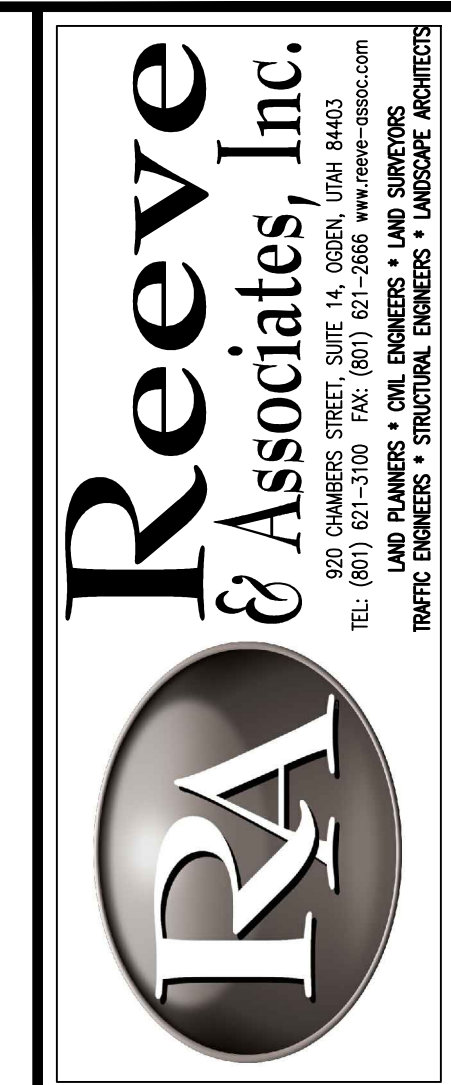
Revised 8-16-13



Project Info.

Engineer:	J. NATE REEVE, P.E.
Drafter:	R. HANSEN
Begin Date:	JULY 09, 2012
Name:	EDGEWATER BEACH RESORT PHASE-1
Number:	5917-15

Sheet	11
2	Sheets

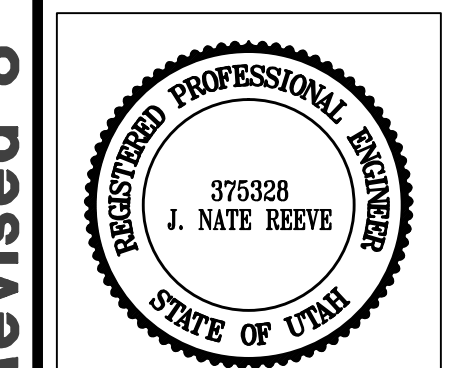


REVISIONS

DATE	DESCRIPTION
7-20-12	RH Utility Changes
7-31-12	RH Design Complete
3-14-13	CA Design Complete
6-21-13	RH Co. Eng. Review
7-3-13	RH Co. Eng. Review
8-16-13	RH Co. Eng. Review

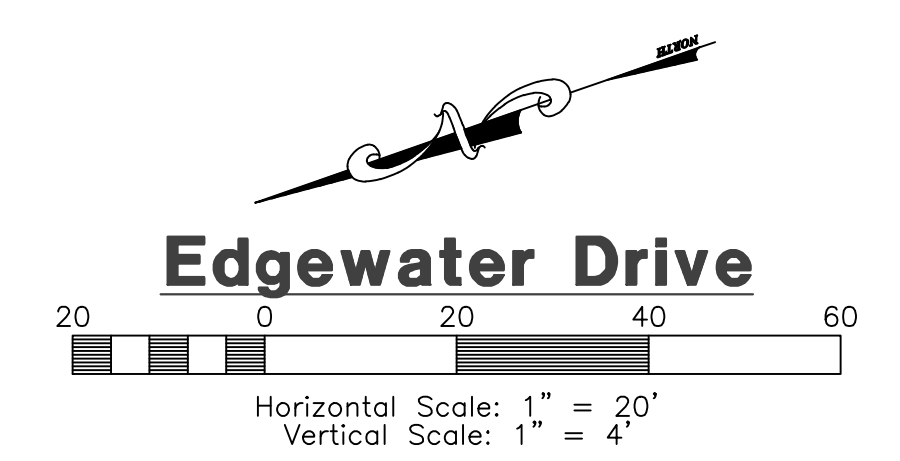
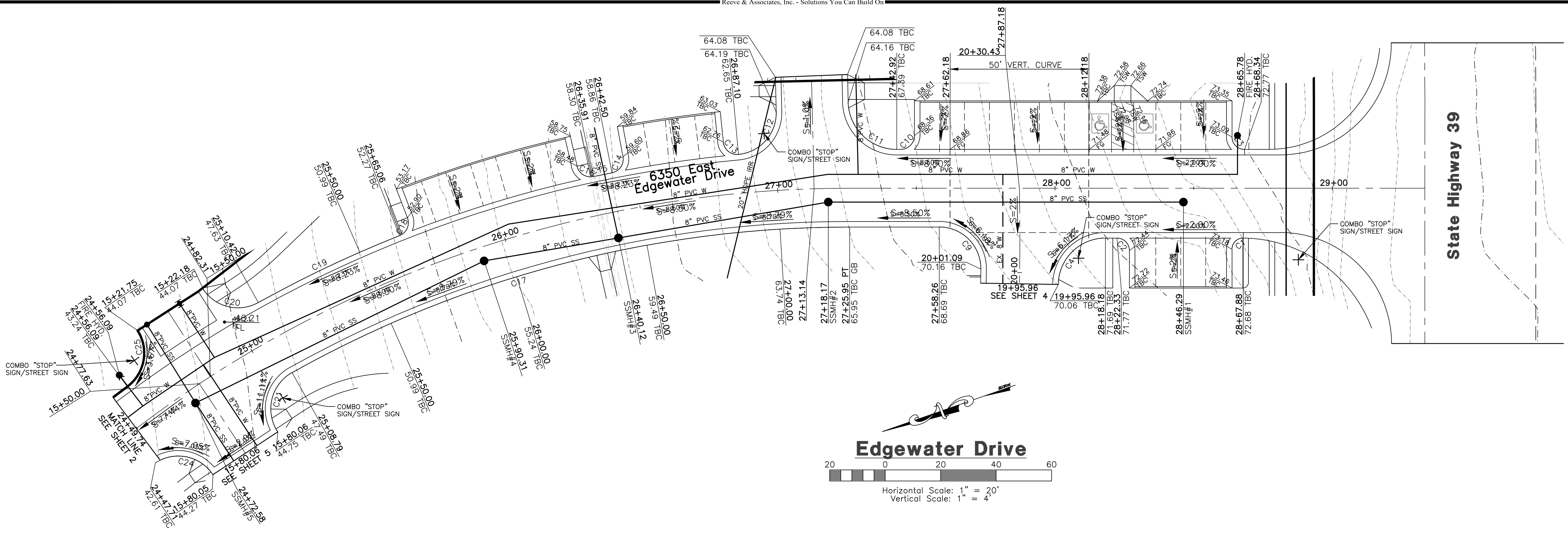
Edgewater Beach Resort Phase-1
WEBER COUNTY, UTAH

Edgewater Drive
24+49.74 - 30+00.00



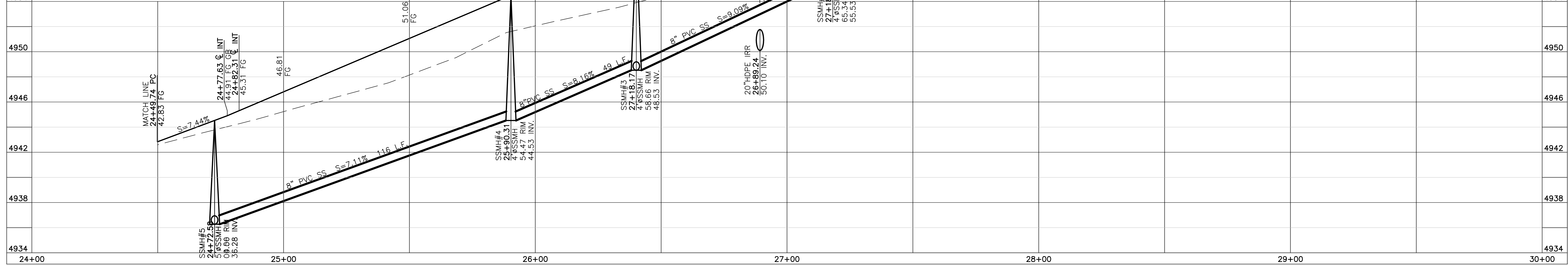
Project Info.
 Engineer: J. NATE REEVE, P.E.
 Drafter: R. HANSEN
 Begin Date: JULY 09, 2012
 Name: EDGEWATER BEACH RESORT PHASE-1
 Number: 5917-15

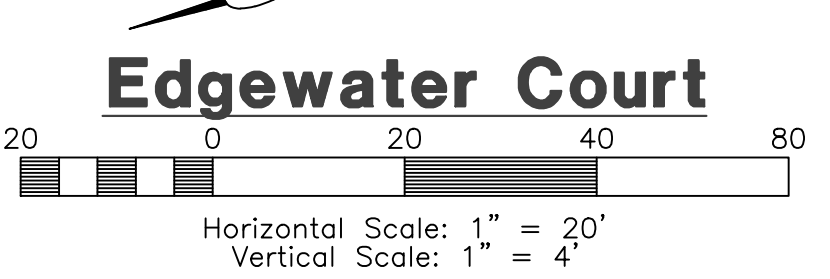
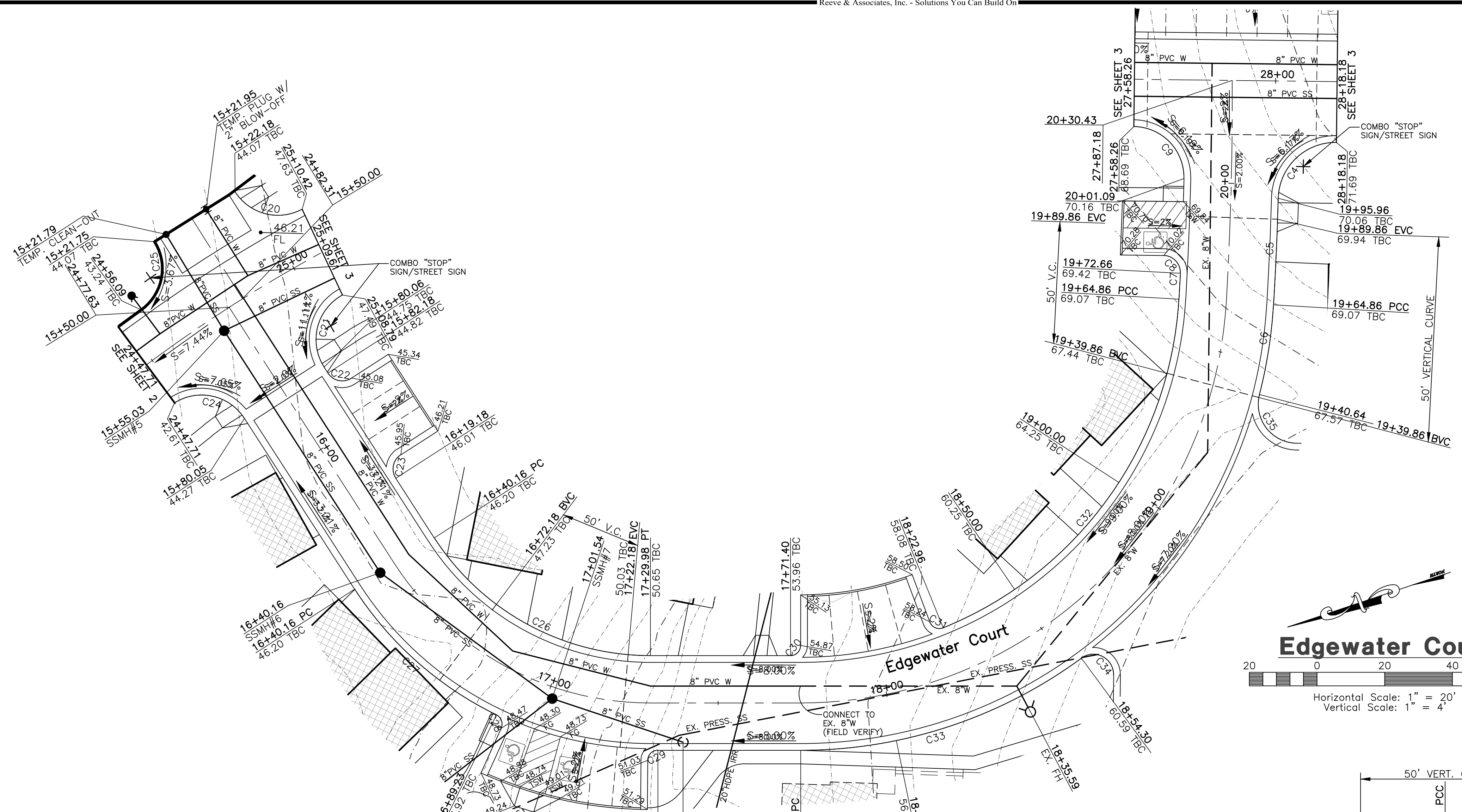
Reeve & Associates, Inc. - Solutions You Can Build On



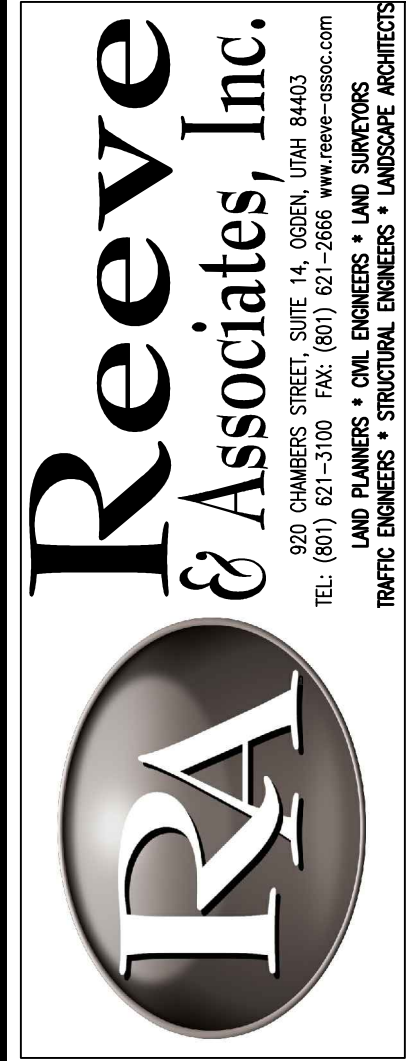
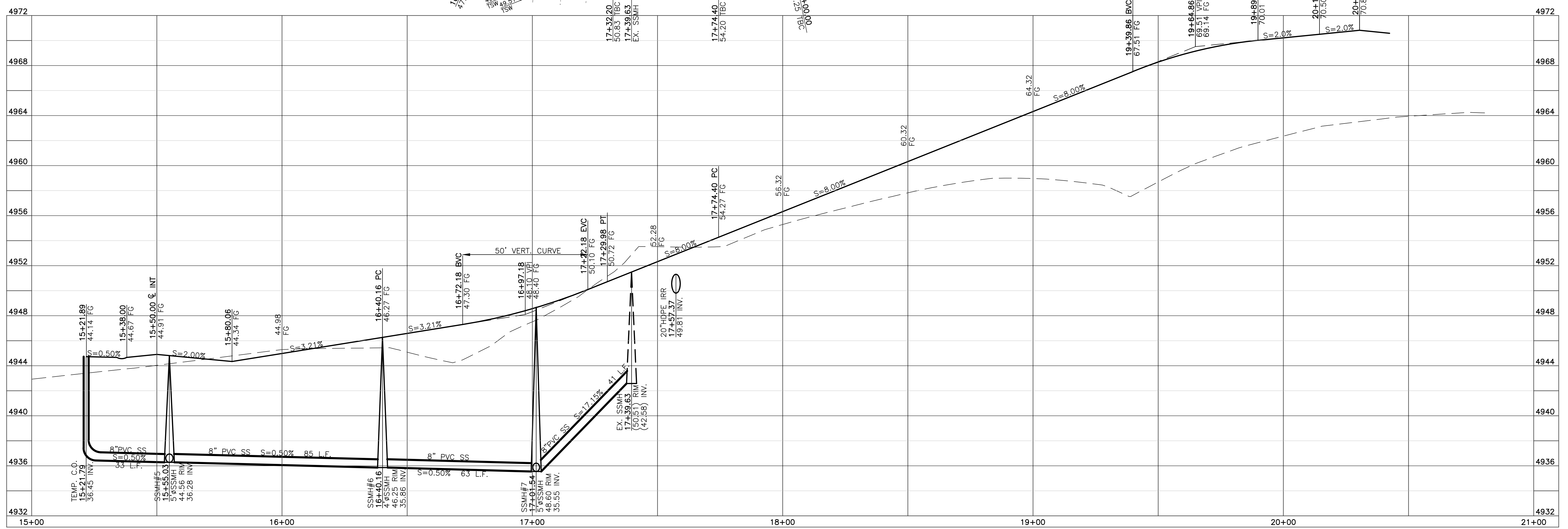
TBC Curve Data

#	Delta	Radius	Length	Tangent	Chord	CH Length
C1	90°37'47"	4.00'	6.33'	4.04'	N25°25'04"W	5.69'
C2	90°00'00"	4.50'	7.07'	4.50'	N64°16'03"E	6.36'
C3	90°00'00"	4.50'	7.07'	4.50'	S64°16'03"W	6.36'
C4	89°01'53"	17.00'	26.42'	16.72'	N25°14'54"W	23.84'
C9	90°40'40"	15.00'	23.74'	15.18'	N64°36'23"E	21.34'
C10	90°00'00"	5.00'	7.85'	5.00'	S25°43'57"E	7.07'
C11	88°40'40"	17.50'	27.09'	17.10'	S63°36'23"W	24.46'
C12	86°05'05"	15.00'	22.54'	14.01'	S29°00'45"E	20.48'
C13	89°21'17"	5.00'	7.80'	4.94'	S58°42'18"W	7.03'
C14	89°21'17"	5.00'	7.80'	4.94'	S36°39'37"E	7.03'
C15	0°53'21"	439.00'	6.81'	3.41'	N7°34'21"E	6.81'
C16	89°21'17"	5.00'	7.80'	4.94'	S51°48'20"W	7.03'
C17	29°16'37"	411.00'	210.01'	107.35'	N4°37'45"E	207.73'
C18	89°21'17"	5.00'	7.80'	4.94'	S47°05'59"E	7.03'
C19	7°22'01"	439.00'	56.44'	28.26'	N6°06'21"W	56.41'
C20	86°12'40"	15.00'	22.57'	14.04'	S33°18'59"W	20.50'
C21	94°11'59"	15.00'	24.66'	16.14'	N57°06'33"W	21.98'
C24	89°55'45"	15.00'	23.54'	14.98'	N30°49'35"E	21.20'
C25	86°27'51"	15.00'	22.64'	14.10'	S60°20'46"E	20.55'





TBC Curve Data						
#	Delta	Radius	Length	Tangent	Chord	CH Length
C4	89°01'53"	17.00'	26.42'	16.72'	N25°14'54"W	23.84'
C5	1°45'41"	1025.50'	31.52'	15.76'	S68°53'00"E	31.52'
C6	11°00'45"	140.00'	26.91'	13.50'	S62°29'47"E	26.87'
C7	0°26'31"	997.50'	7.69'	3.85'	S68°13'25"E	7.69'
C8	92°17'17"	5.00'	8.05'	5.20'	N65°24'41"E	7.21'
C9	90°40'40"	15.00'	23.74'	15.18'	N64°36'23"E	21.34'
C20	86°12'40"	15.00'	22.57'	14.04'	S33°18'59"W	20.50'
C21	94°11'59"	15.00'	24.66'	16.14'	N57°06'33"W	21.98'
C22	90°00'00"	5.00'	7.85'	5.00'	S30°47'27"W	7.07'
C23	90°00'00"	5.00'	7.85'	5.00'	N59°12'33"W	7.07'
C24	89°55'45"	15.00'	23.54'	14.98'	N30°49'35"E	21.20'
C25	86°27'51"	15.00'	22.64'	14.10'	S60°20'46"E	20.55'
C26	57°11'04"	76.00'	75.85'	41.42'	S47°11'55"W	72.74'
C27	31°14'27"	104.00'	56.71'	29.08'	S60°10'14"W	56.01'
C28	88°23'36"	3.00'	4.63'	2.92'	N88°44'49"E	4.18'
C29	89°34'57"	3.00'	4.69'	2.98'	N26°11'05"W	4.23'
C30	90°00'00"	3.00'	4.71'	3.00'	S26°23'37"E	4.24'
C31	91°34'38"	3.00'	4.79'	3.08'	S42°18'43"W	4.30'
C32	64°31'34"	112.00'	126.13'	70.70'	S35°44'22"E	119.57'
C33	36°20'01"	140.00'	88.78'	45.94'	S0°26'23"W	87.30'
C34	126°59'59"	6.00'	13.30'	12.03'	N45°46'21"E	10.74'
C35	103°44'11"	11.50'	20.82'	14.65'	S71°08'30"W	18.09'



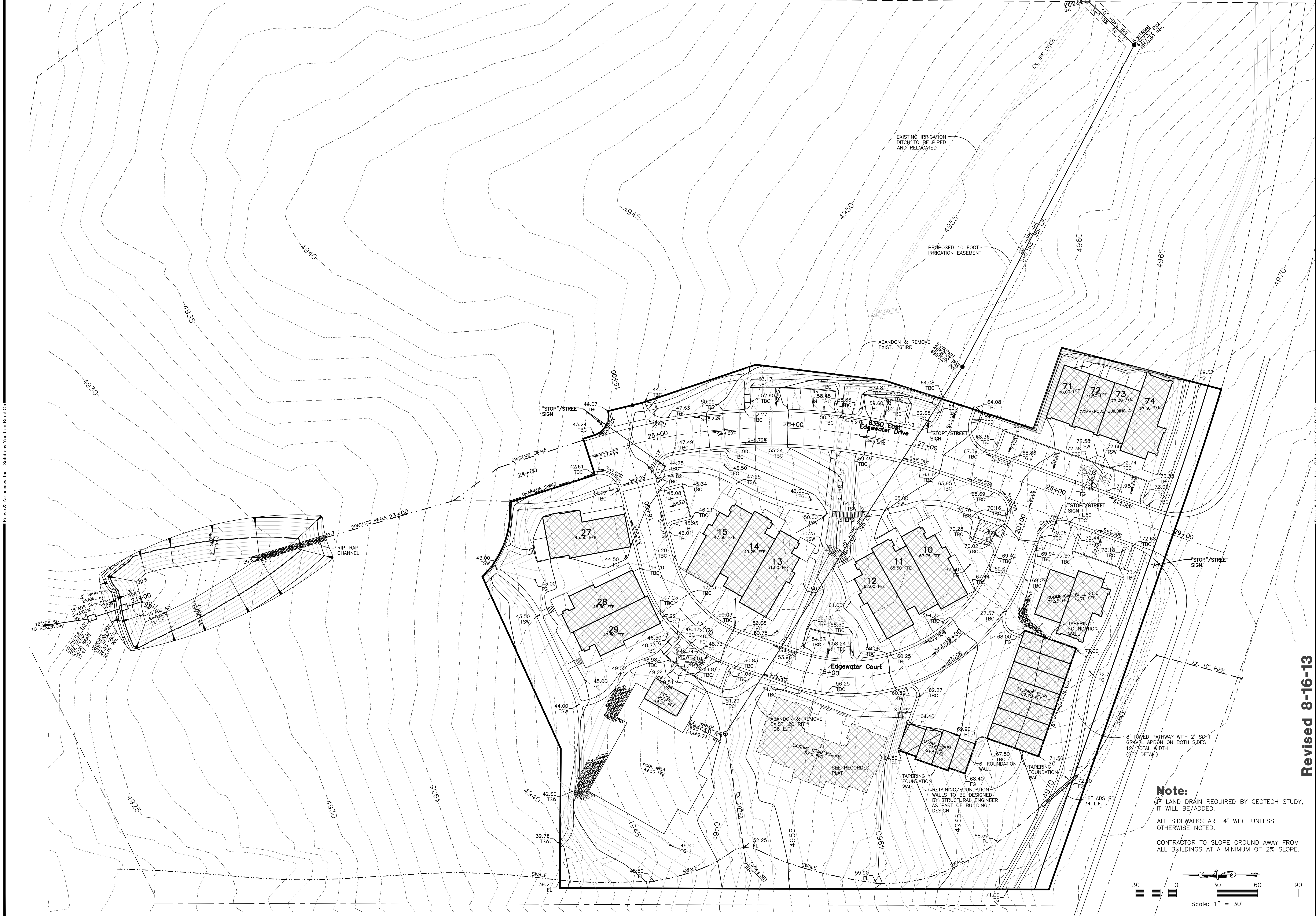
DATE	DESCRIPTION
7-20-12	RH Utility Changes
7-31-12	RH Design Complete
3-14-13	CA Design Complete
6-21-13	RH Co. Eng. Review
7-3-13	RH Co. Eng. Review
8-16-13	RH Co. Eng. Review

Edgewater Beach Resort
Phase-1
 WEBER COUNTY, UTAH
Edgewater Court
15+00.00 - 21+00.00

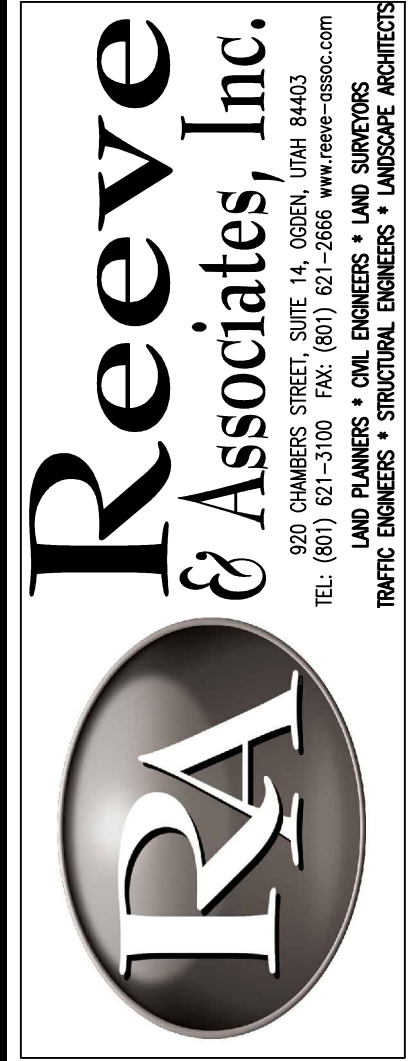
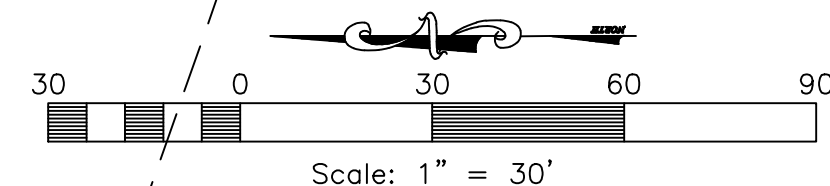


Project Info.
 Engineer: J. NATE REEVE, P.E.
 Drafter: R. HANSEN
 Begin Date: JULY 09, 2012
 Name: EDGEWATER BEACH RESORT
 PHASE-1
 Number: 5917-15

Revised 8-16-13



Note:
 IF LAND DRAIN REQUIRED BY GEOTECH STUDY, IT WILL BE ADDED.
 ALL SIDEWALKS ARE 4' WIDE UNLESS OTHERWISE NOTED.
 CONTRACTOR TO SLOPE GROUND AWAY FROM ALL BUILDINGS AT A MINIMUM OF 2% SLOPE.



REVISIONS	DATE	DESCRIPTION
7-20-12	RH	Utility Changes
7-31-12	RH	Design Complete
3-14-13	CA	Design Complete
6-21-13	RH	Co. Eng. Review
7-3-13	RH	Co. Eng. Review
8-16-13	RH	Co. Eng. Review

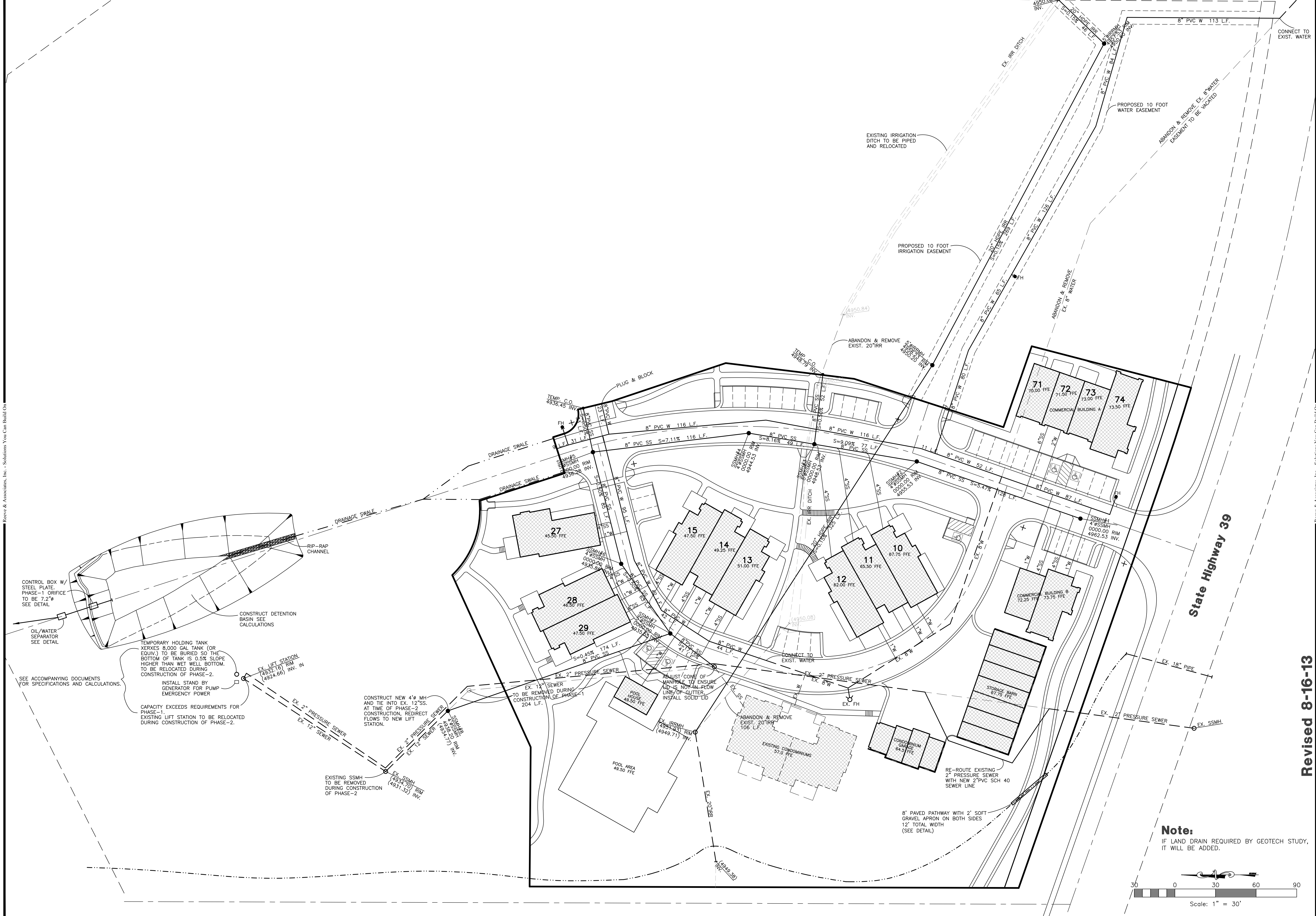
**Edgewater Beach Resort
 Phase-1
 WEBER COUNTY, UTAH
 Grading Plan**

Revised 8-16-13

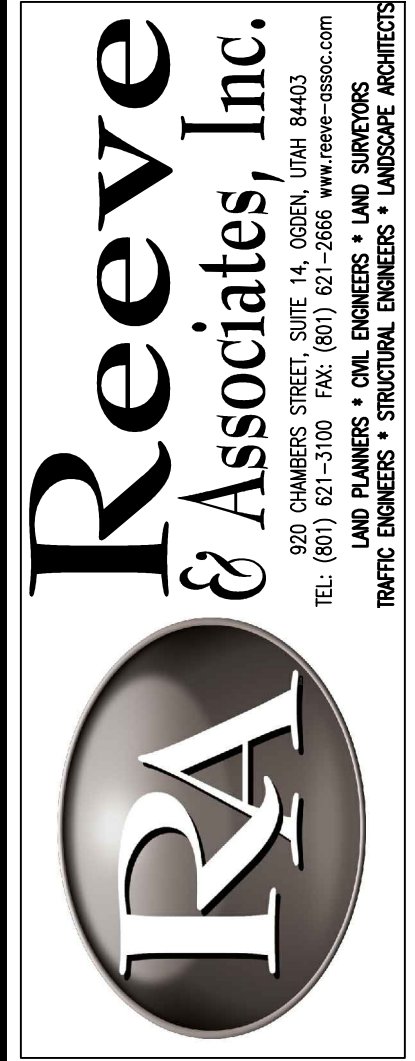


Project Info.

Engineer:	J. NATE REEVE, P.E.
Drafter:	R. HANSEN
Begin Date:	JULY 09, 2012
Name:	EDGEWATER BEACH RESORT PHASE-1
Number:	5917-15



Reeve & Associates, Inc. - Solutions You Can Build On



REVISIONS	DATE	DESCRIPTION
7-20-12	RH	Utility Changes
7-31-12	RH	Design Complete
8-14-12	CA	Design Complete
8-21-12	RH	Co. Eng. Review
7-3-13	RH	Co. Eng. Review
8-16-13	RH	Co. Eng. Review

**Edgewater Beach Resort
Phase-1
Utility Plan**

WEBER COUNTY, UTAH



Project Info.

Engineer: J. NATE REEVE, P.E.
 Drafter: R. HANSEN
 Begin Date: JULY 09, 2012
 Name: EDGEWATER BEACH RESORT PHASE-1
 Number: 5917-15

Storm Runoff Calculations

Edgewater Estates-Phase 1
7/31/2012
The following runoff calculations are based on the Rainfall - Intensity - Duration Frequency Curve for the Huntsville, UT area taken from data compiled by NOAA Atlas14, using a 100 year storm.

Runoff storm water has been calculated for two different sets of conditions, one being the existing undeveloped land and the other with land fully improved. The difference between the two quantities will be detained in a holding pond. All water that runs off and over the property at present will be diverted into the holding pond and released at a reduced rate into the existing drainage system.

Table with runoff coefficients for undeveloped land: C=0.2, i=3.20 IN./HR., Q=3.80 CIA, A=3.80 ACRES, Q(out)=2.43 CFS

Table with runoff coefficients for developed land: Paved Area (39,774 C=0.9), Landscaped Area (97,776 C=0.2), Roof (28,173 C=0.8), Weighted Runoff Coefficient (C=0.47)

Table showing rainfall intensity and runoff quantity for detention basin: i varies with time, Q=CIA

Table showing volume in and volume out for detention basin: Q * t, 2.43 * t

The capacity of the detention basin is calculated as the maximum difference between the volume flowing in and the volume flowing out.

The outflow from the detention basin is limited to outflow if undeveloped. Use 2.43 cfs for Q outflow

The required volume of the detention basin is 5,917 cubic feet

USE A 7.2 INCH DIAMETER ORIFICE AT OUTLET

DETENTION BASIN

Table for detention basin calculations: C=0.47, A=3.80, Q(out)=2.43

Hydrograph table showing time, intensity, runoff, and volume for Edgewater Estates-Phase 1

Huntsville, UT
NOAA Atlas 14

Storm Runoff Calculations

Edgewater Estates-Full
7/31/2012
The following runoff calculations are based on the Rainfall - Intensity - Duration Frequency Curve for the Huntsville, UT area taken from data compiled by NOAA Atlas14, using a 100 year storm.

Runoff storm water has been calculated for two different sets of conditions, one being the existing undeveloped land and the other with land fully improved. The difference between the two quantities will be detained in a holding pond. All water that runs off and over the property at present will be diverted into the holding pond and released at a reduced rate into the existing drainage system.

Table with runoff coefficients for undeveloped land: C=0.2, i=3.20 IN./HR., Q=13.02 CIA, A=13.02 ACRES, Q(out)=8.34 CFS

Table with runoff coefficients for developed land: Paved Area (135,807 C=0.9), Landscaped Area (334,282 C=0.2), Roof (97,276 C=0.8), Weighted Runoff Coefficient (C=0.47)

Table showing rainfall intensity and runoff quantity for detention basin: i varies with time, Q=CIA

Table showing volume in and volume out for detention basin: Q * t, 8.34 * t

The capacity of the detention basin is calculated as the maximum difference between the volume flowing in and the volume flowing out.

The outflow from the detention basin is limited to outflow if undeveloped. Use 8.34 cfs for Q outflow

The required volume of the detention basin is 20,288 cubic feet

USE A 13.3 INCH DIAMETER ORIFICE AT OUTLET

DETENTION BASIN

Table for detention basin calculations: C=0.47, A=13.02, Q(out)=8.34

Hydrograph table showing time, intensity, runoff, and volume for Edgewater Estates-Full

Huntsville, UT
NOAA Atlas 14

Worksheet for Irregular Section - 1

Project Description: Friction Method (Manning Formula), Solve For (Normal Depth)

Input Data: Channel Slope (0.0500 ft/ft), Discharge (5.72 ft³/s)

Section Definitions: Station (ft), Elevation (ft)

Table with station and elevation data: (0+00, 0.00), (0+01, 0.50), (0+01, 0.00), (0+13, 0.24)

Roughness Segment Definitions: Start Station, Ending Station, Roughness Coefficient

Table with roughness segment data: (0+00, 0.00), (0+13, 0.24), 0.016

Options: Current roughness weighting method (Pavlovski's Method)

Results: Normal Depth (0.22 ft), Elevation Range (0.00 to 0.50 ft)

Table with hydraulic results: Flow Area (1.23 ft²), Wetted Perimeter (11.73 ft), Hydraulic Radius (0.11 ft), Top Width (11.33 ft), Normal Depth (0.22 ft), Critical Depth (0.31 ft), Critical Slope (0.00998 ft/ft)

Worksheet for Irregular Section - 1

Results: Velocity (4.64 ft/s), Velocity Head (0.33 ft), Specific Energy (0.55 ft), Froude Number (2.48), Flow Type (Supercritical)

GVF Input Data: Downstream Depth (0.00 ft), Length (0.00 ft), Number Of Steps (0)

GVF Output Data: Upstream Depth (0.00 ft), Profile Description, Profile Headloss (0.00 ft), Downstream Velocity (Infinity ft/s), Upstream Velocity (Infinity ft/s), Normal Depth (0.22 ft), Critical Depth (0.31 ft), Channel Slope (0.05000 ft/ft), Critical Slope (0.00998 ft/ft)

Table with station and elevation data: (0+00, 0.00), (0+01, 0.50), (0+01, 0.00), (0+13, 0.24)

Roughness Segment Definitions: Start Station, Ending Station, Roughness Coefficient

Table with roughness segment data: (0+00, 0.00), (0+13, 0.24), 0.016

Options: Current roughness weighting method (Pavlovski's Method)

Results: Normal Depth (0.22 ft), Elevation Range (0.00 to 0.50 ft)

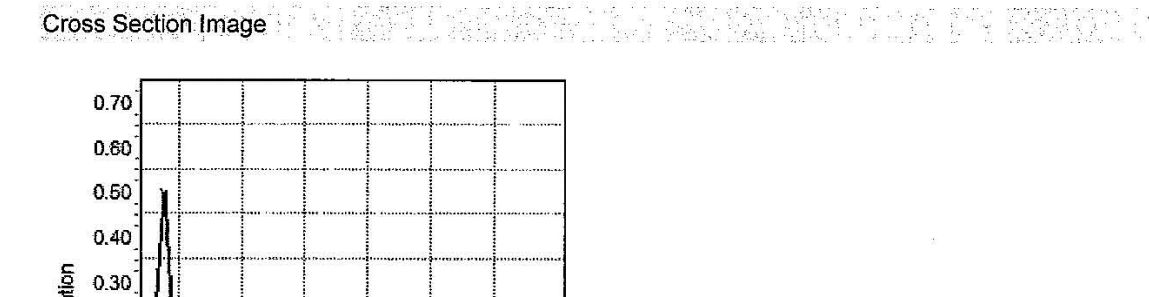
Table with hydraulic results: Flow Area (1.23 ft²), Wetted Perimeter (11.73 ft), Hydraulic Radius (0.11 ft), Top Width (11.33 ft), Normal Depth (0.22 ft), Critical Depth (0.31 ft), Critical Slope (0.00998 ft/ft)

Cross Section for Irregular Section - 1

Project Description: Friction Method (Manning Formula), Solve For (Normal Depth)

Input Data: Channel Slope (0.05000 ft/ft), Normal Depth (0.22 ft), Discharge (5.72 ft³/s)

Cross Section Image: Elevation vs Station graph



Options: Current roughness weighting method (Pavlovski's Method)

Results: Normal Depth (0.22 ft), Elevation Range (0.00 to 0.50 ft)

Table with hydraulic results: Flow Area (1.23 ft²), Wetted Perimeter (11.73 ft), Hydraulic Radius (0.11 ft), Top Width (11.33 ft), Normal Depth (0.22 ft), Critical Depth (0.31 ft), Critical Slope (0.00998 ft/ft)

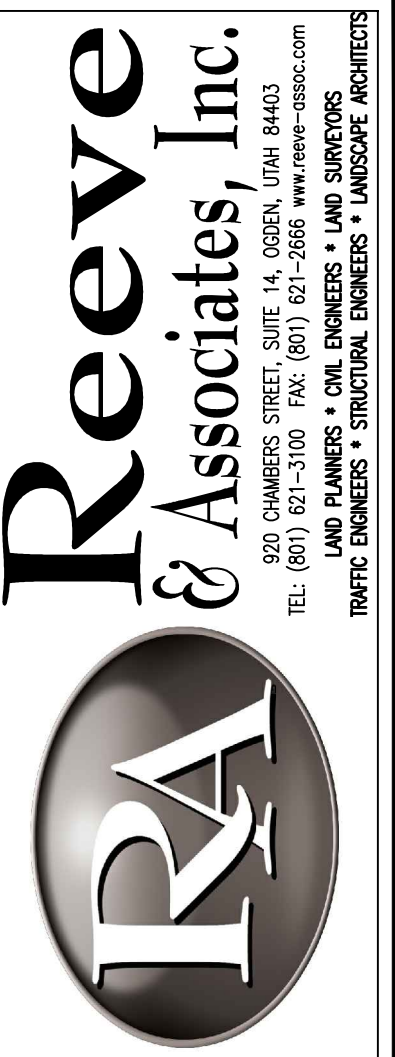
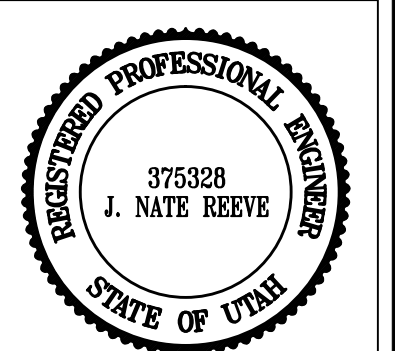


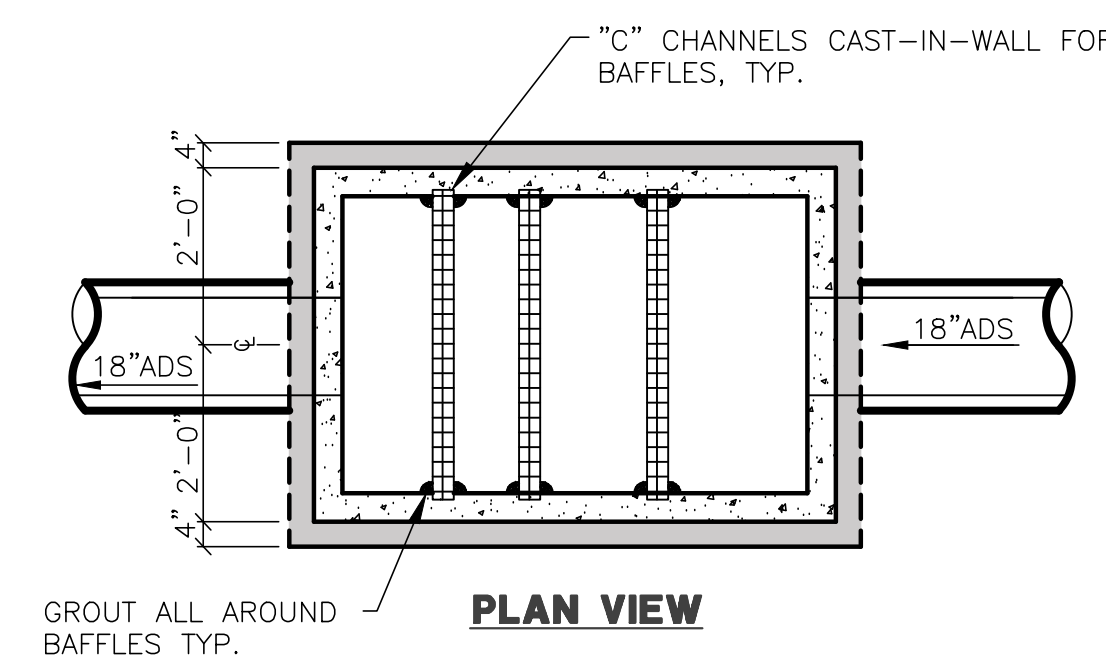
Table with REVISIONS: DATE, DESCRIPTION, 7-20-12 RH Utility Changes, 7-31-12 RH Design Complete, 8-21-13 RH Co. Eng. Review, 7-3-13 RH Co. Eng. Review, 8-16-13 RH Co. Eng. Review

Edgewater Beach Resort Phase-1 WEBER COUNTY, UTAH SD Calculations

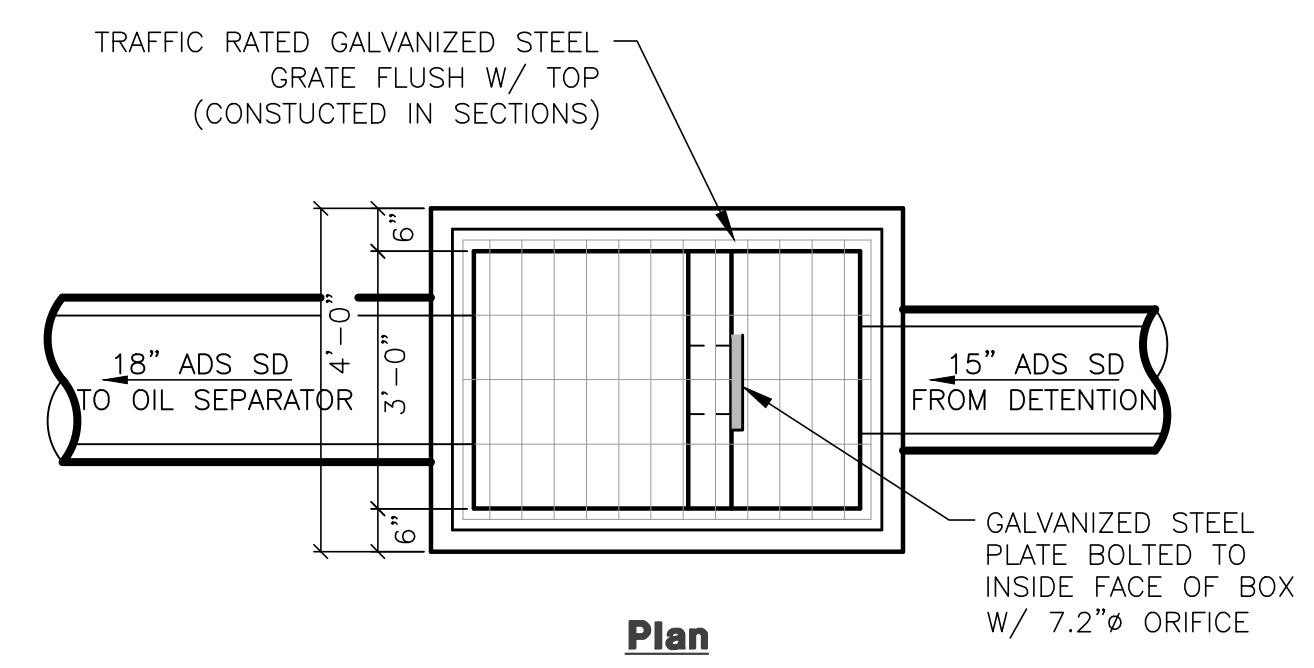


Project Info: Engineer (J. NATE REEVE, P.E.), Drafter (R. HANSEN), Begin Date (JULY 09, 2012), Name (EDGEWATER BEACH RESORT PHASE-1), Number (5917-15)

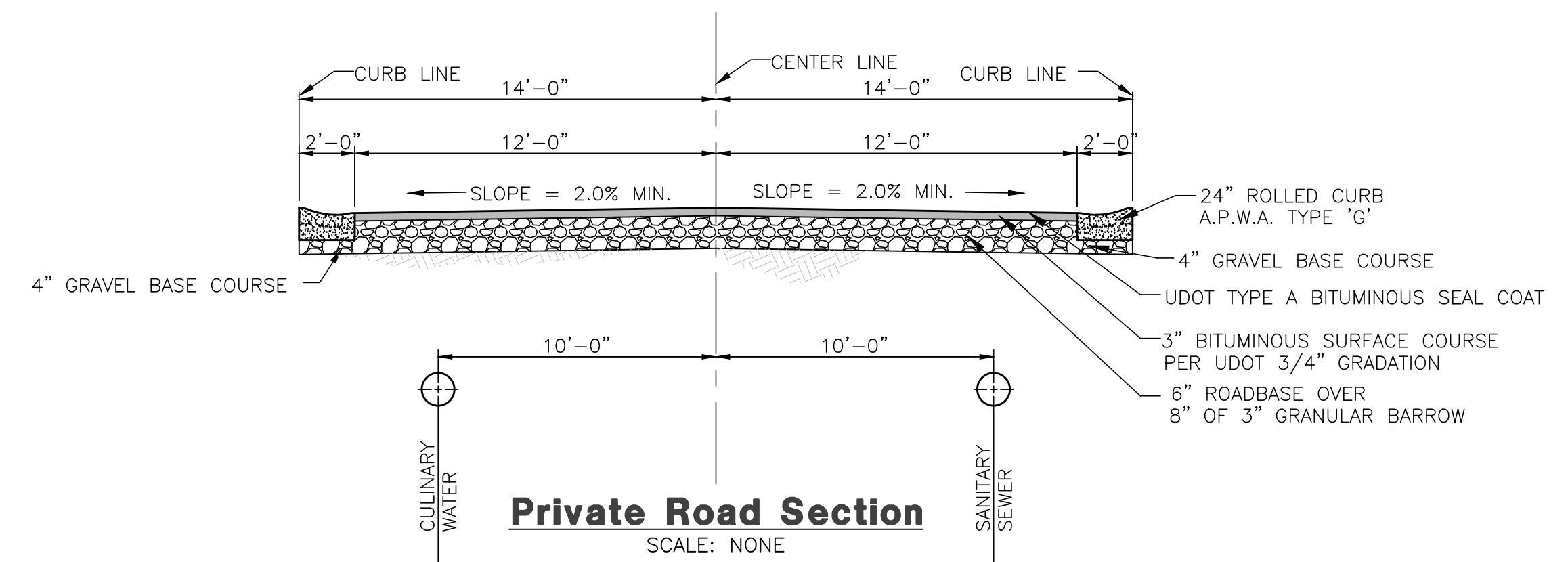
Revised 8-16-13



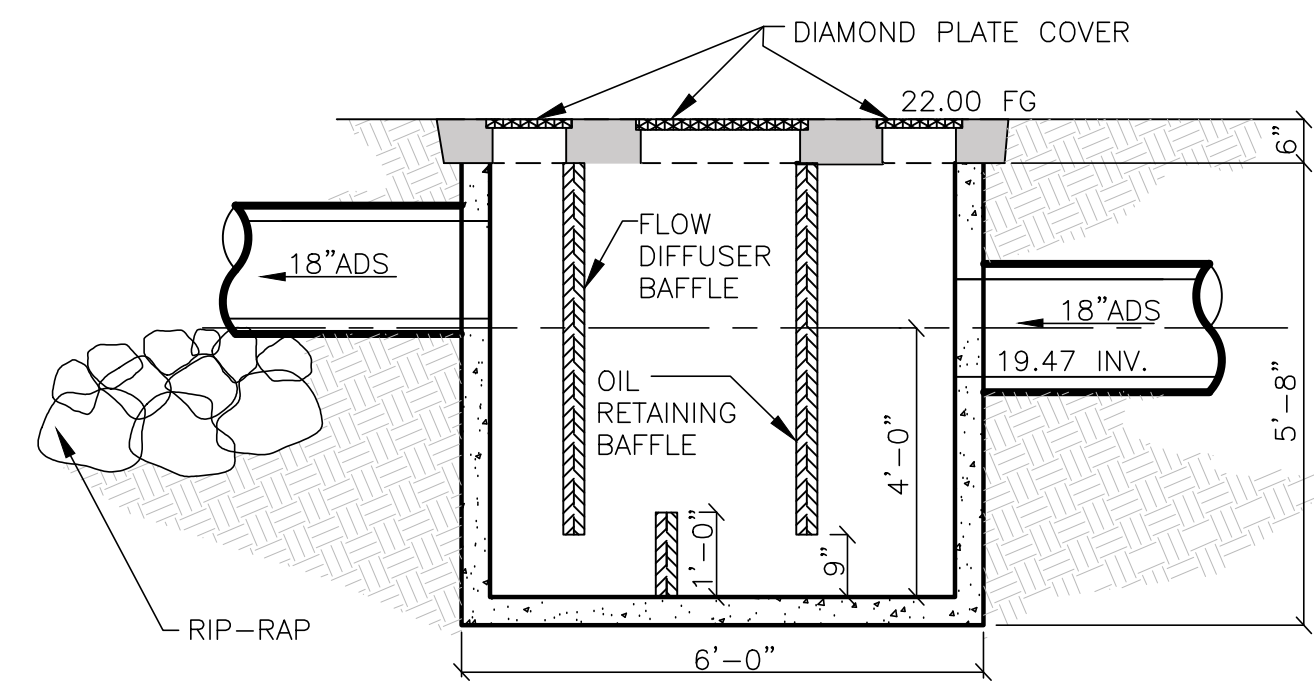
PLAN VIEW



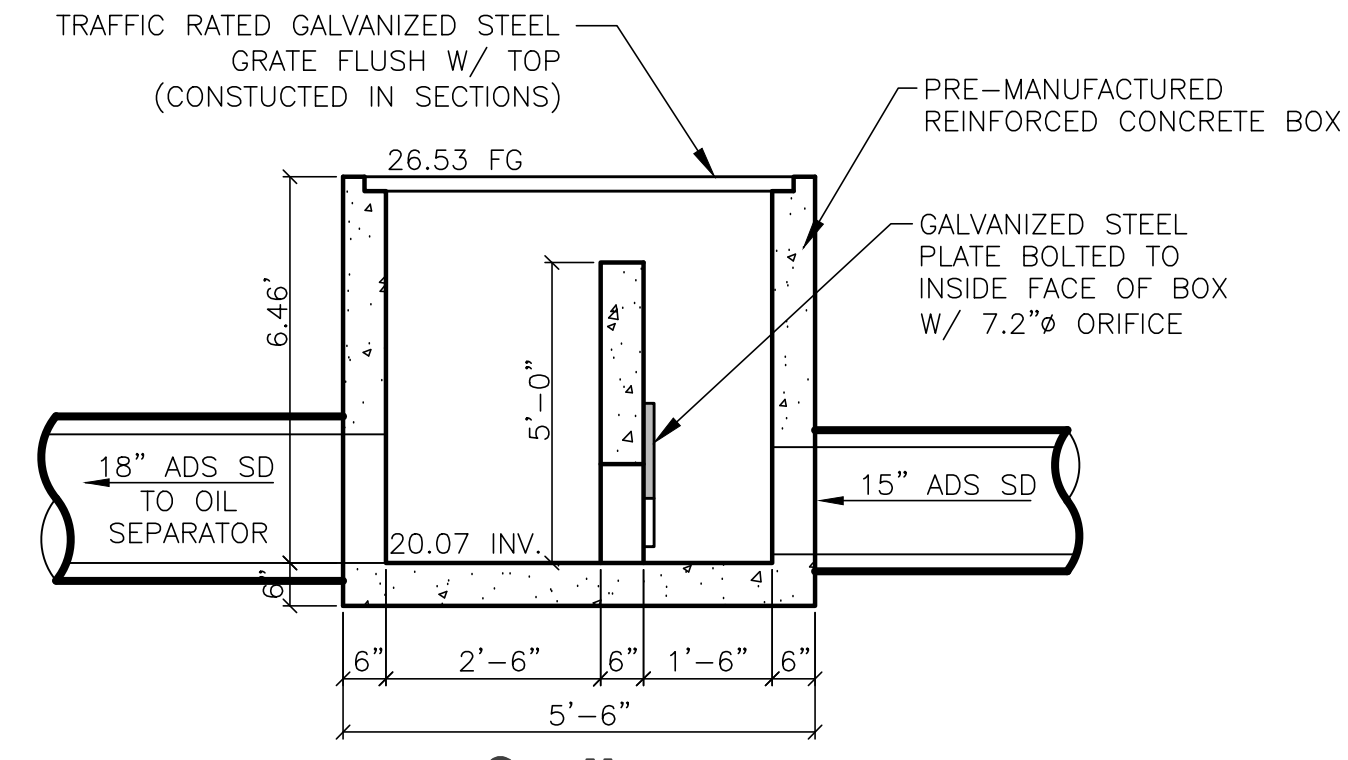
Plan



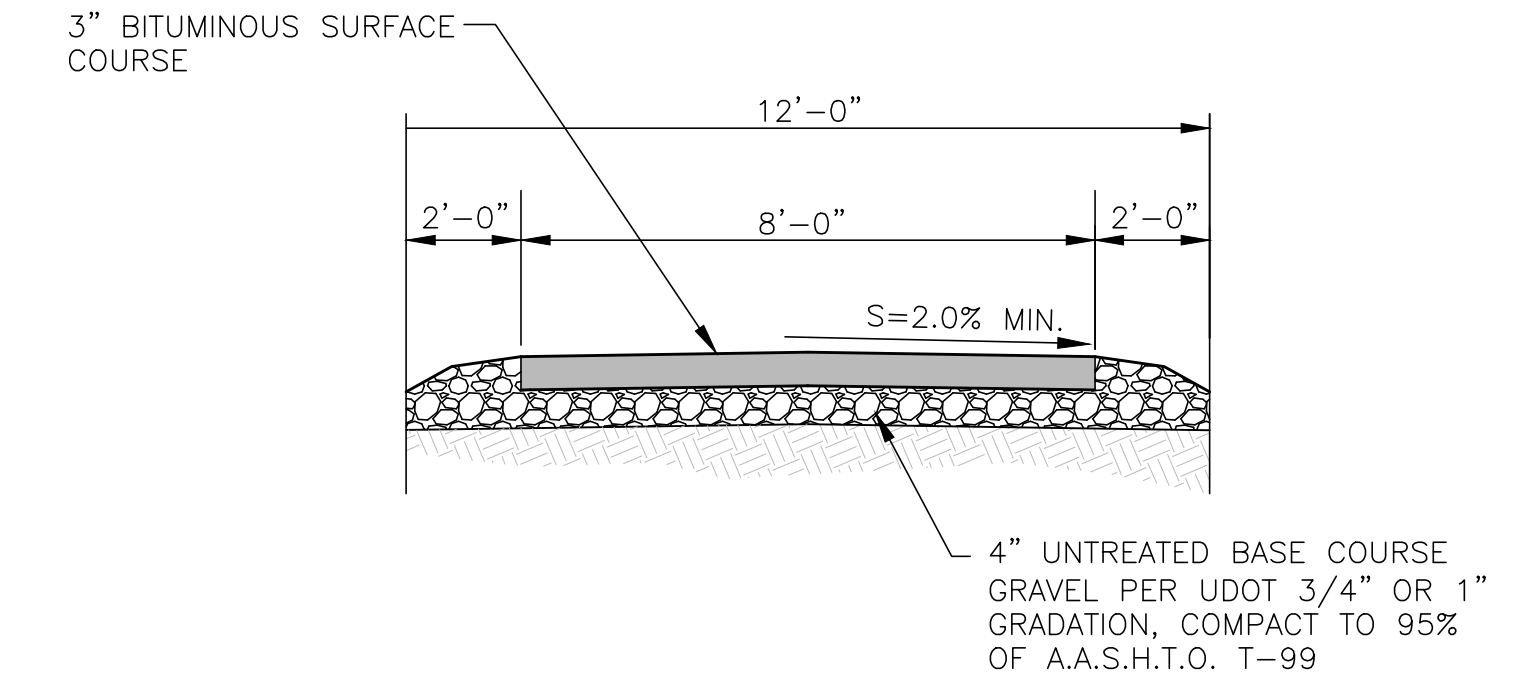
Private Road Section
SCALE: NONE



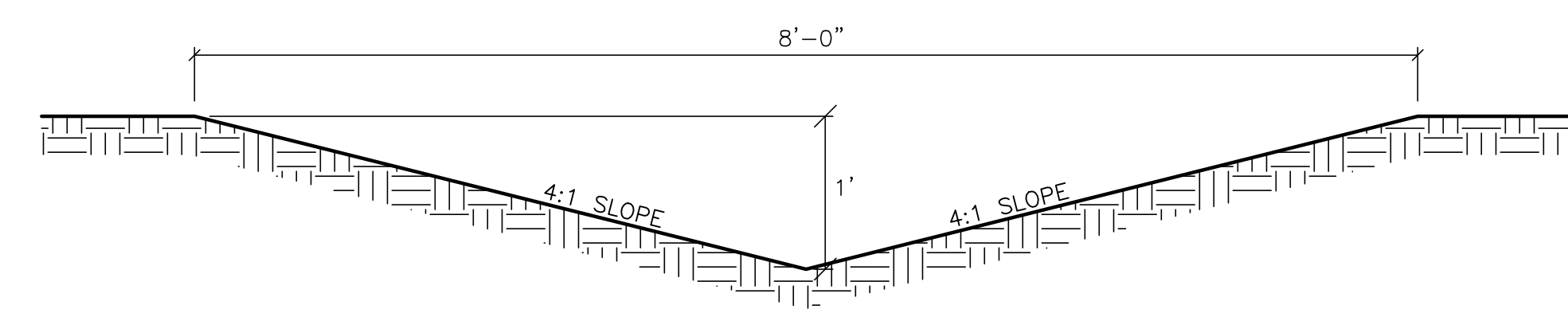
Oil Separator
SCALE: NONE



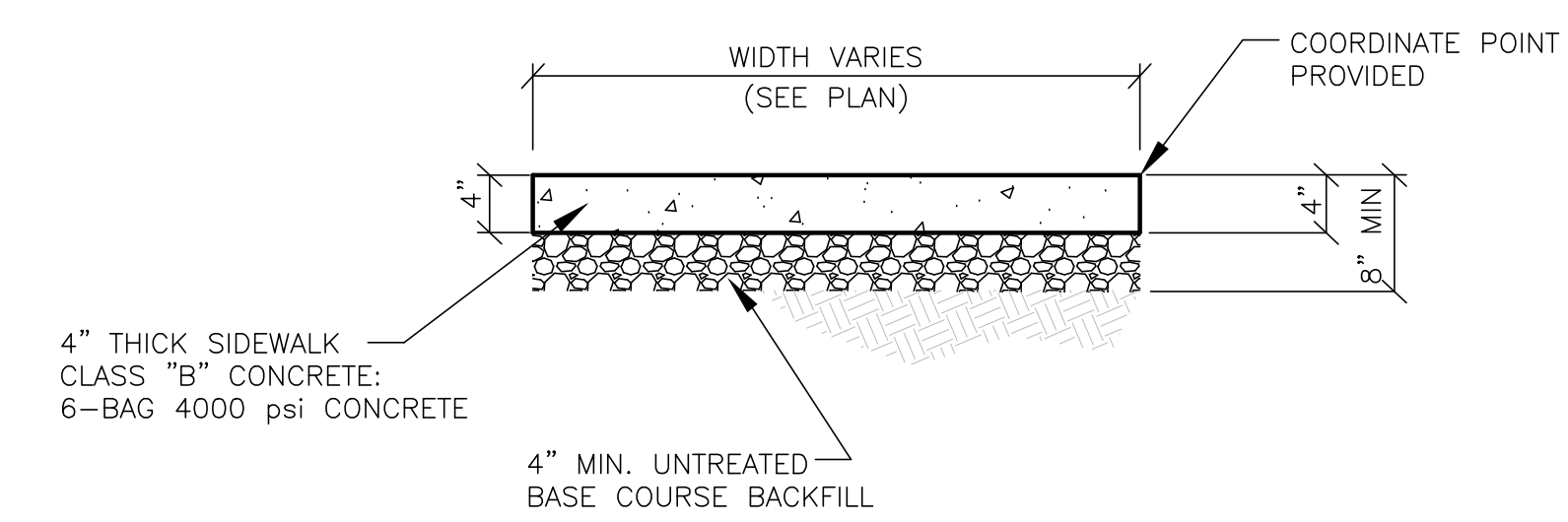
Section
Detention Basin Control Box



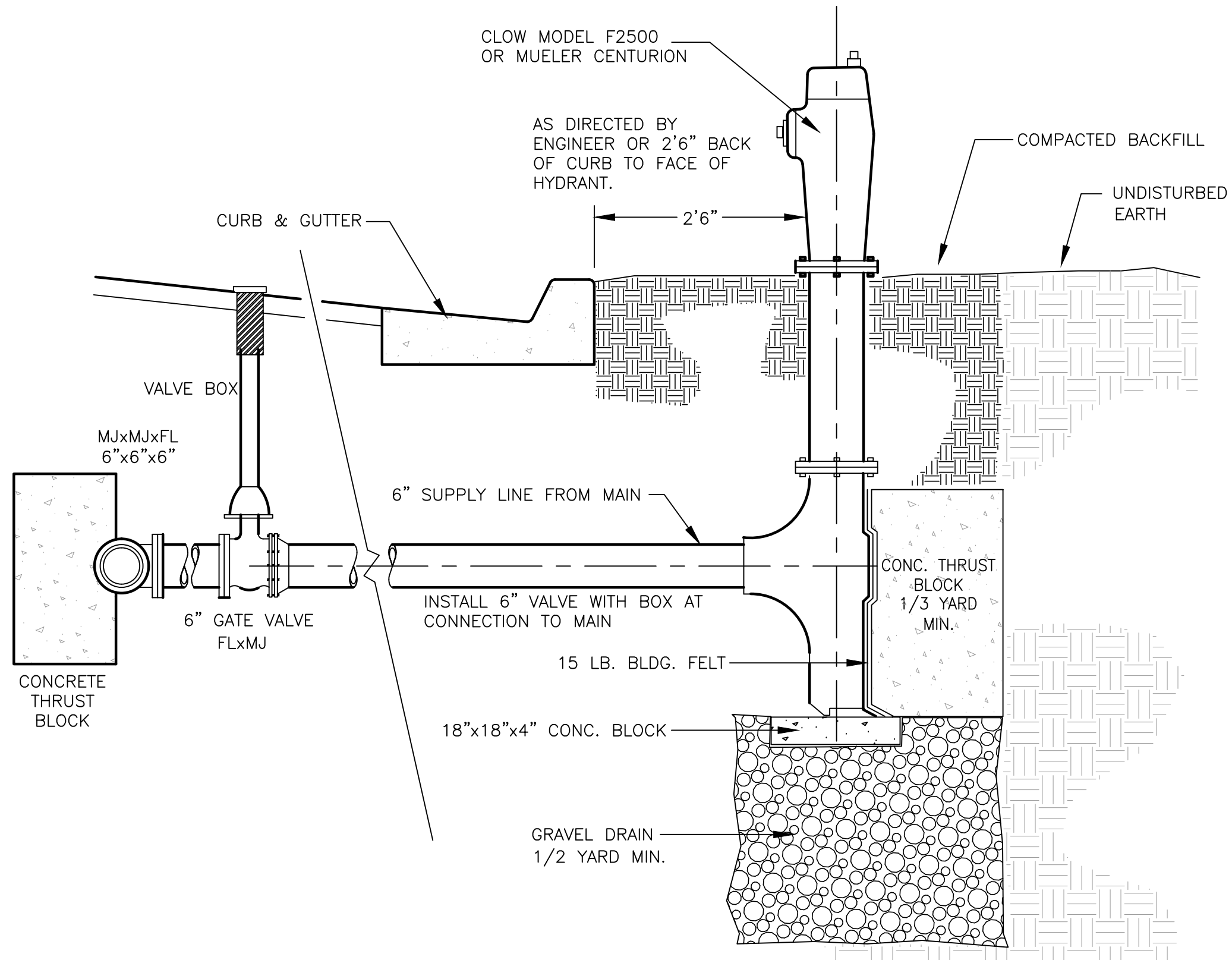
Pathway Detail
SCALE: NONE



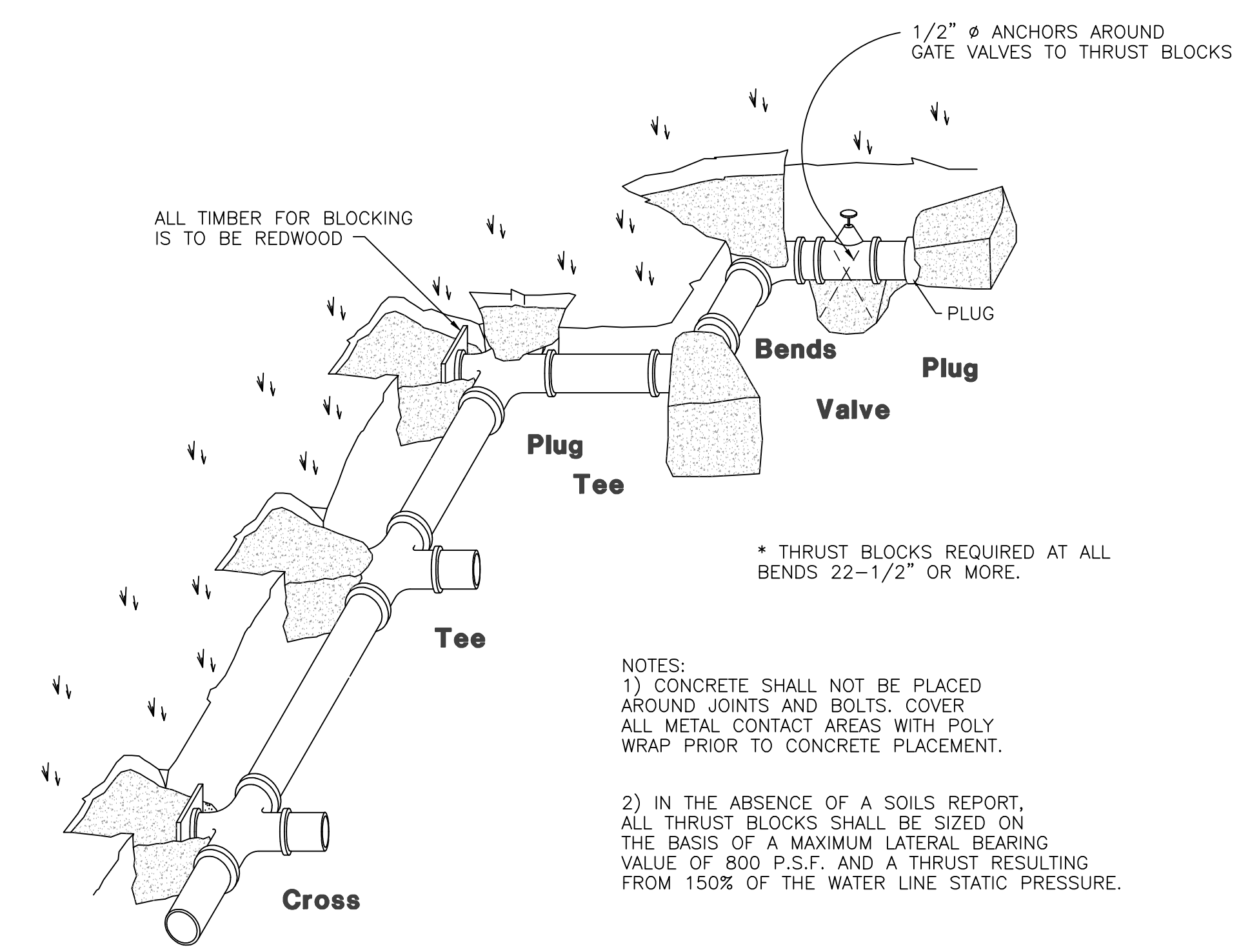
Swale Detail
SCALE: NONE



Walkway Detail
SCALE: NONE
(REFER TO SITE SPECIFIC GEOTECHNICAL REPORT)



Fire Hydrant Detail
SCALE: NONE



Thrust Block Detail
SCALE: NONE

NOTES:
1) CONCRETE SHALL NOT BE PLACED AROUND JOINTS AND BOLTS. COVER ALL METAL CONTACT AREAS WITH POLY WRAP PRIOR TO CONCRETE PLACEMENT.
2) IN THE ABSENCE OF A SOILS REPORT, ALL THRUST BLOCKS SHALL BE SIZED ON THE BASIS OF A MAXIMUM LATERAL BEARING VALUE OF 800 P.S.F. AND A THRUST RESULTING FROM 150% OF THE WATER LINE STATIC PRESSURE.

Reeve & Associates, Inc. - Solutions You Can Build On

Reeve & Associates, Inc.
920 CHAMBERS STREET, SUITE #14, OGDEN, UTAH 84403
TEL: (801) 621-3100 FAX: (801) 621-2666 www.reeve-assoc.com
LAND PLANNERS • CIVIL ENGINEERS • LAND SURVEYORS
TRAFFIC ENGINEERS • STRUCTURAL ENGINEERS • LANDSCAPE ARCHITECTS

REVISIONS	DATE	DESCRIPTION
	7-20-12	RH Utility Changes
	7-31-12	RH Design Complete
	3-14-13	CA Design Complete
	6-21-13	RH Co. Eng. Review
	7-3-13	RH Co. Eng. Review
	8-16-13	RH Co. Eng. Review

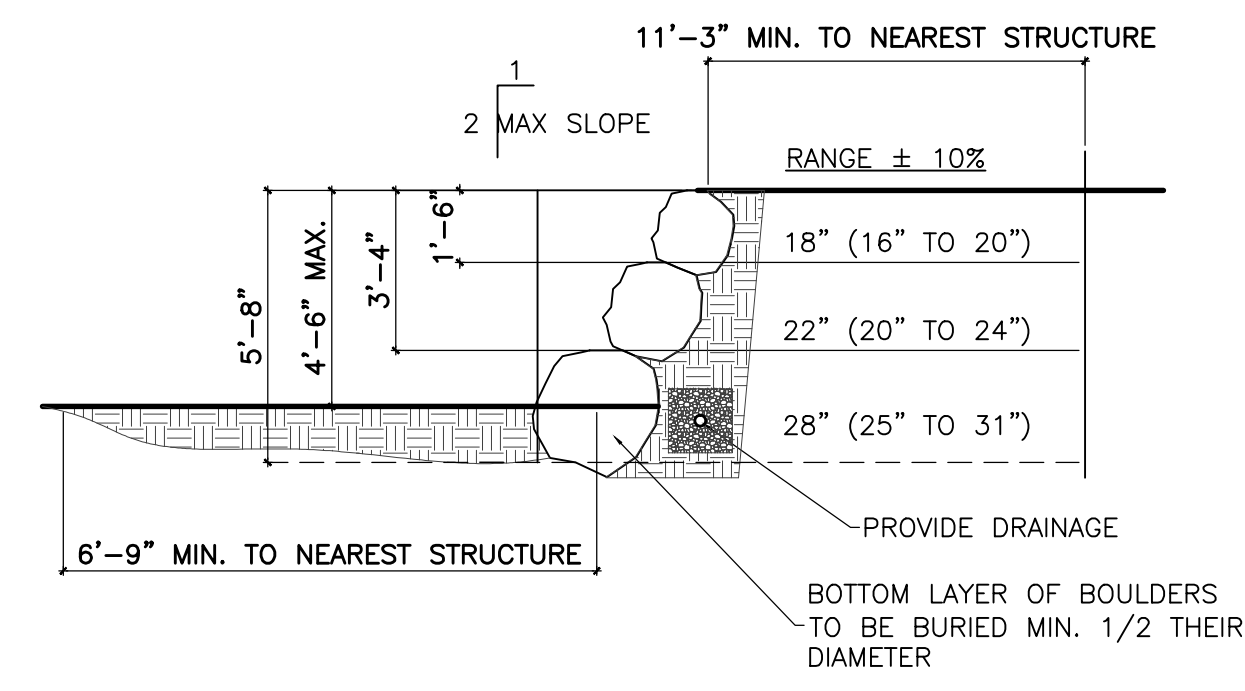
Edgewater Beach Resort Phase-1
WEBER COUNTY, UTAH
Civil Details

Revised 8-16-13

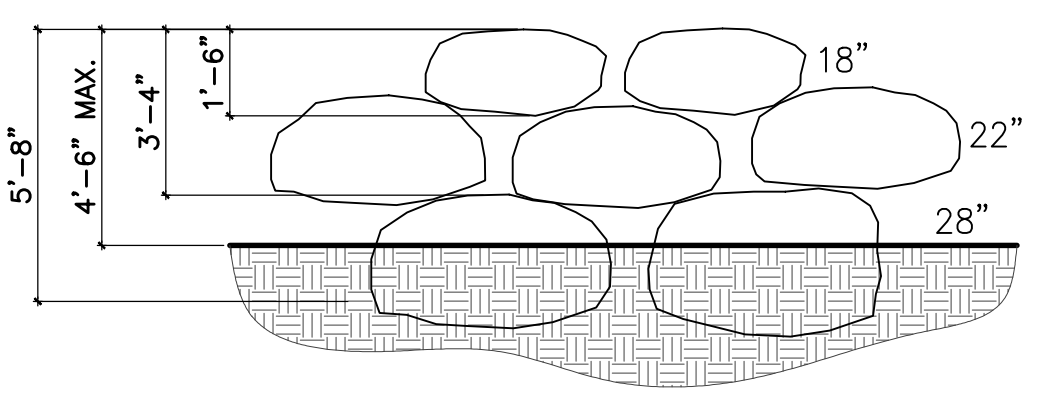
Project Info.

Engineer:	J. NATE REEVE, P.E.
Drafter:	R. HANSEN
Begin Date:	JULY 09, 2012
Name:	EDGEWATER BEACH RESORT PHASE-1
Number:	5917-15

Sheet	11
8	Sheets

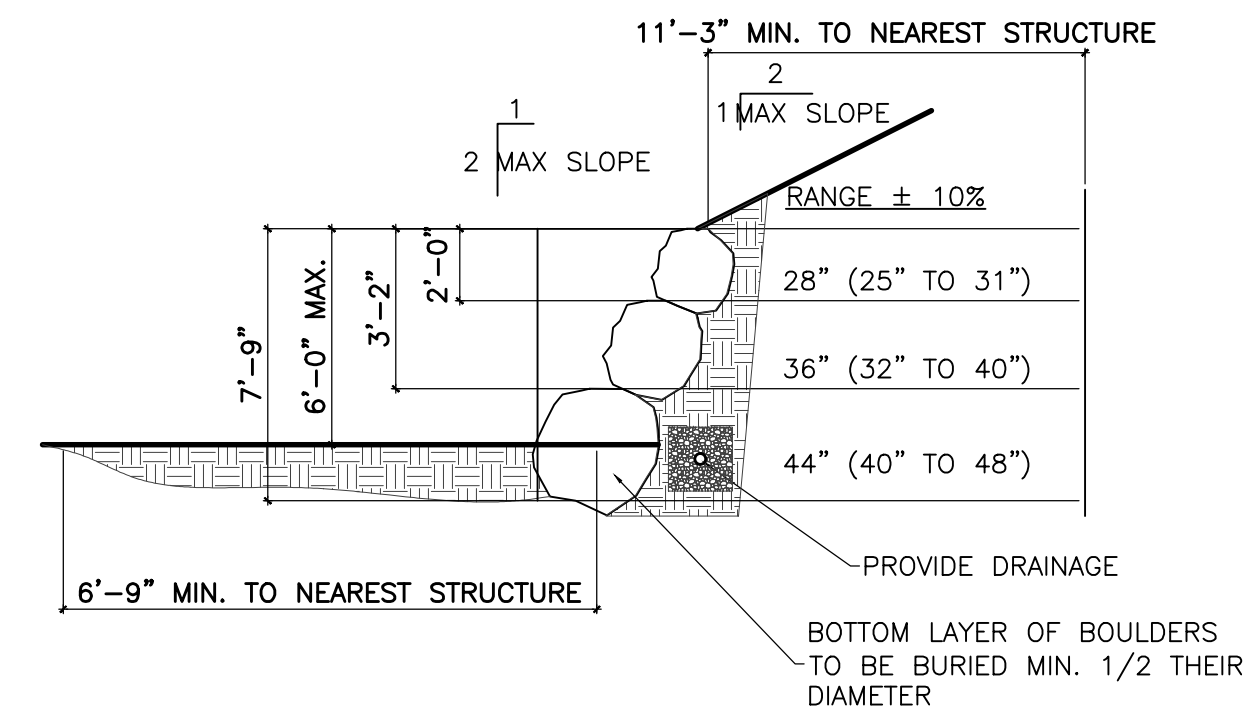


4'-6" WALL CROSS SECTION
SCALE: NONE

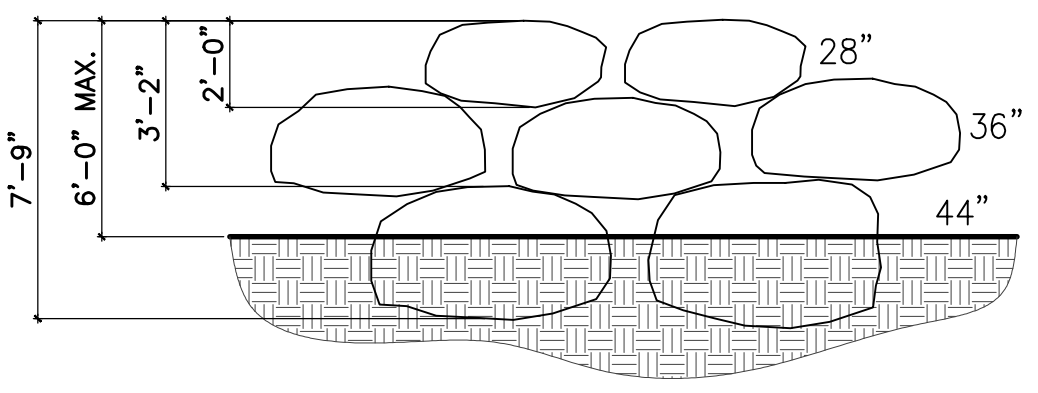


4'-6" WALL FRONT ELEVATION
SCALE: NONE

NOTE:
BOULDERS MUST BE KEED TOGETHER AND INTERLOCKED WITH ALL ADJOINING ROCKS

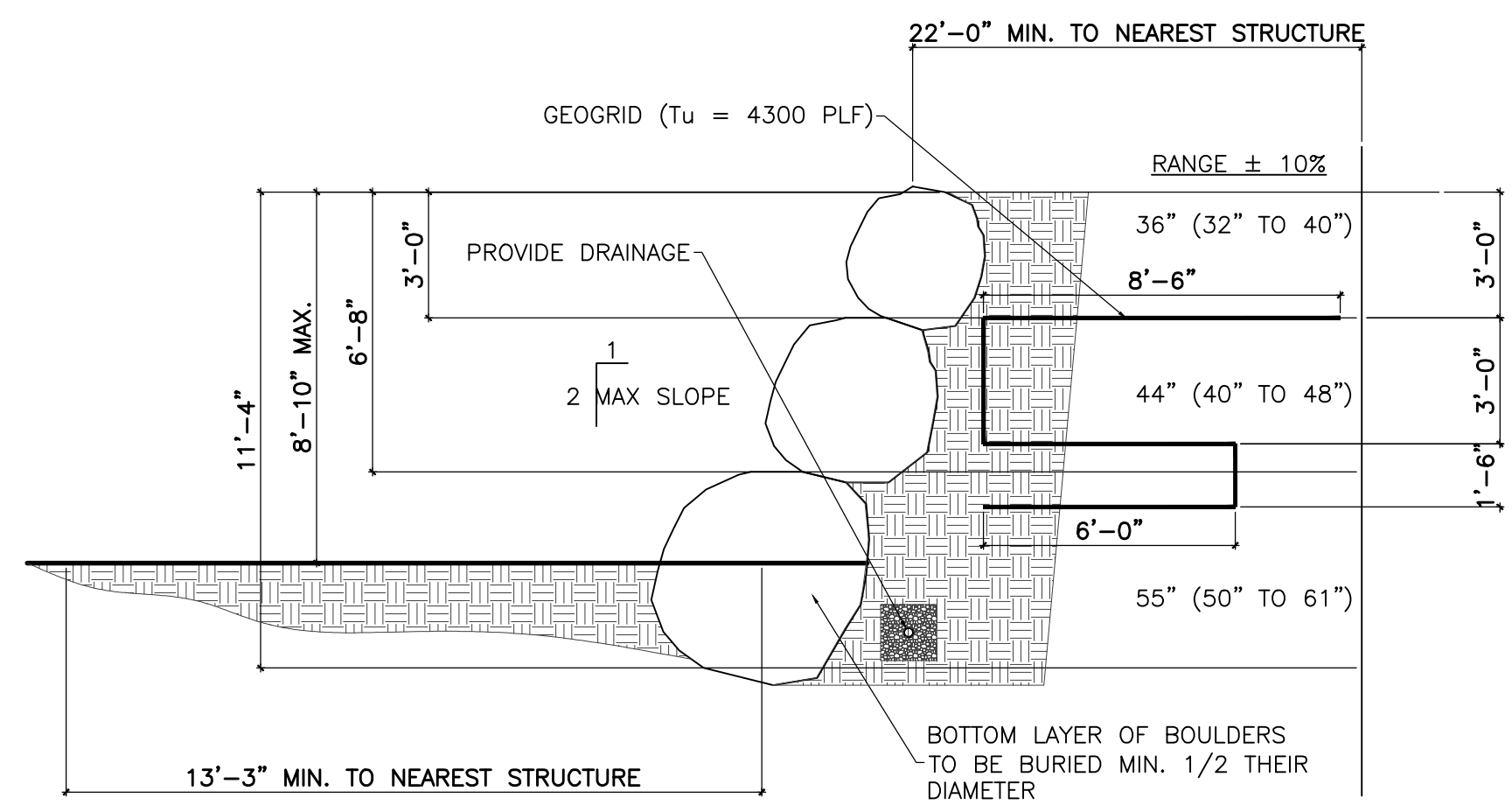


6'-0" WALL CROSS SECTION
SCALE: NONE

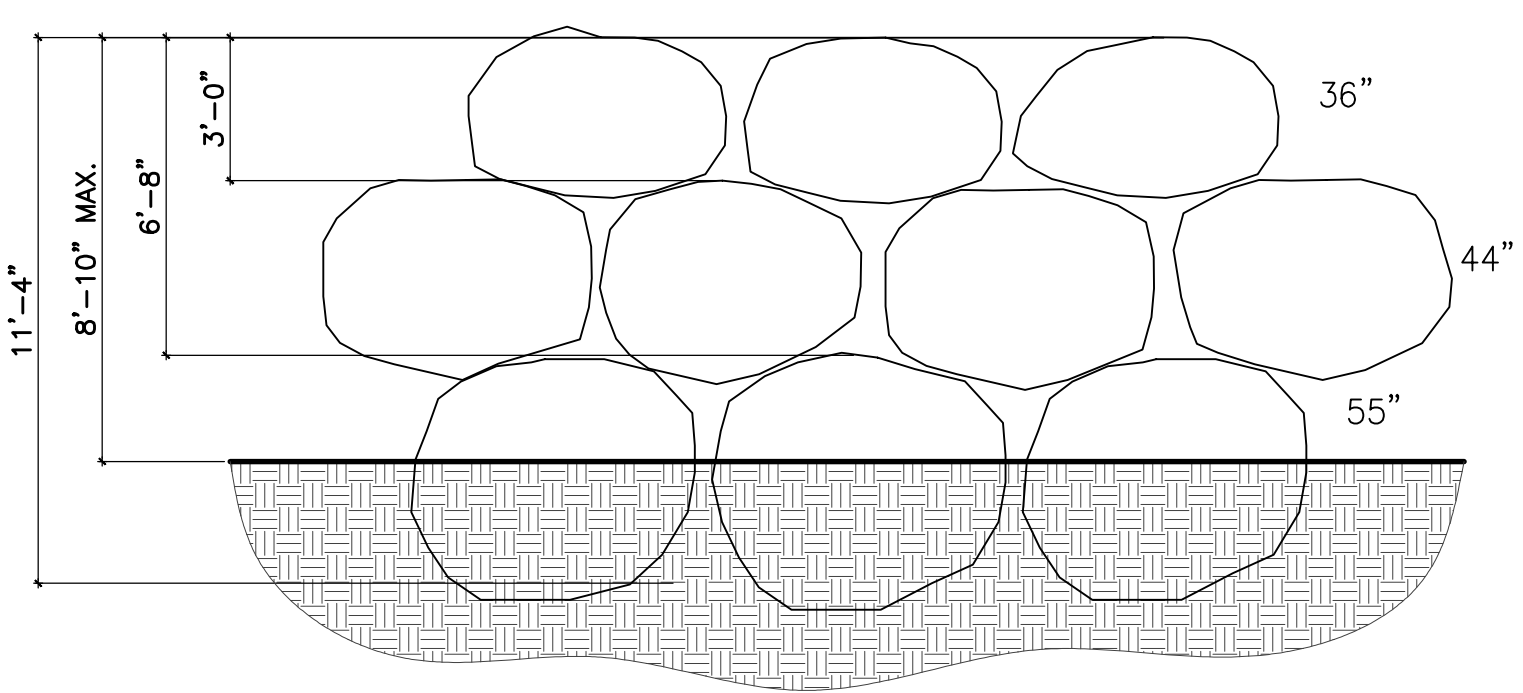


6'-0" WALL FRONT ELEVATION
SCALE: NONE

NOTE:
BOULDERS MUST BE KEED TOGETHER AND INTERLOCKED WITH ALL ADJOINING ROCKS

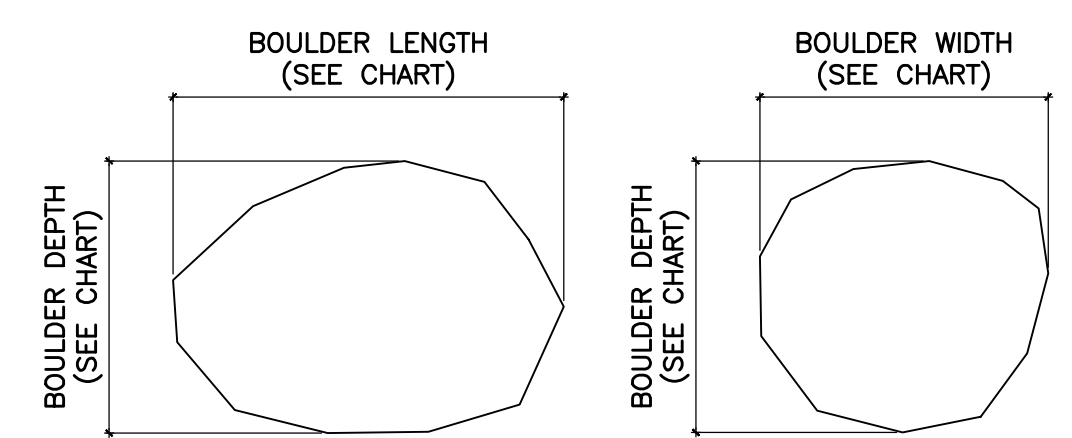


8'-10" WALL CROSS SECTION
SCALE: NONE



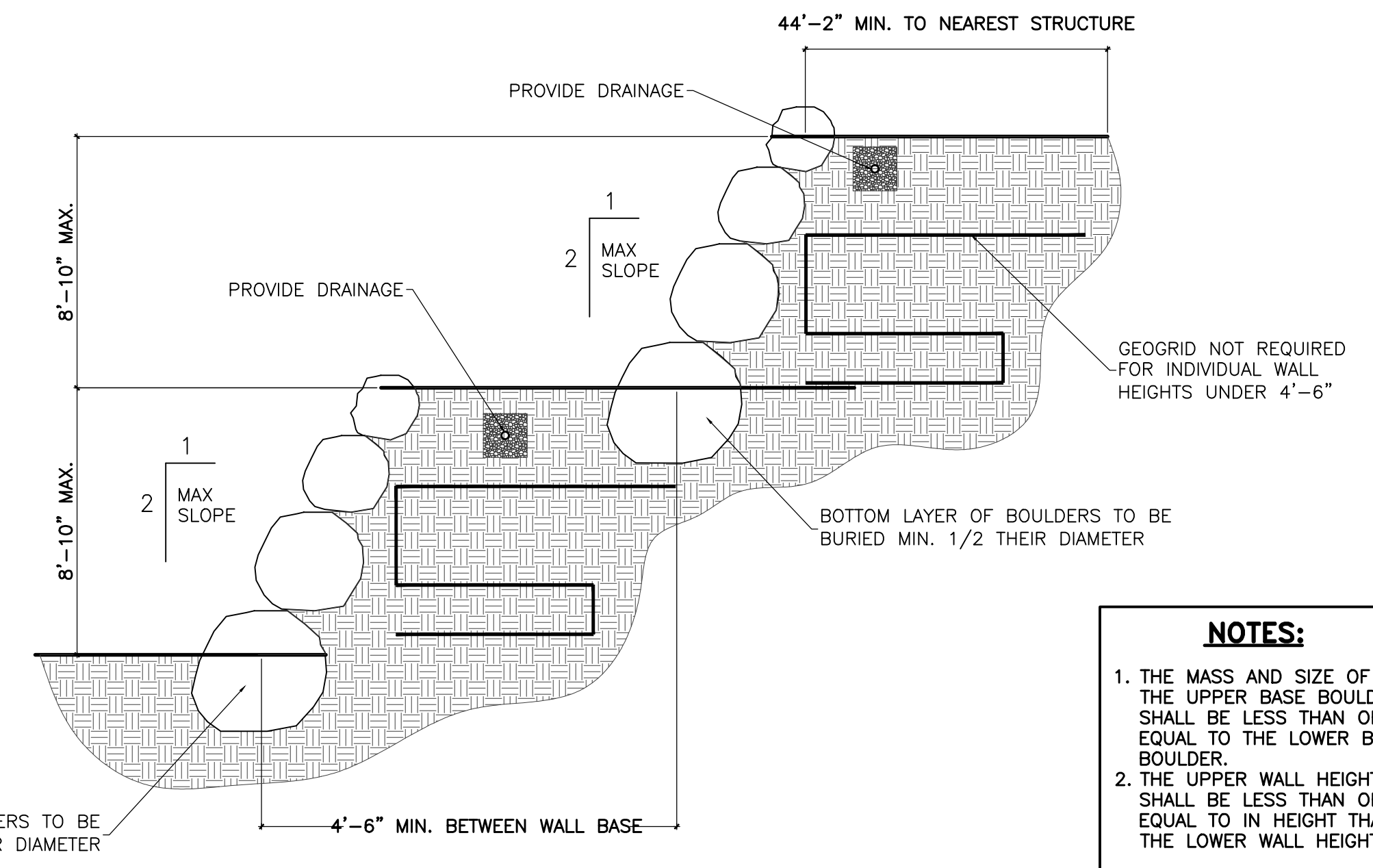
8'-10" WALL FRONT ELEVATION
SCALE: NONE

NOTE:
BOULDERS MUST BE KEED TOGETHER AND INTERLOCKED WITH ALL ADJOINING ROCKS



BOULDER DIMENSION CHART

BOULDER DEPTH	ALLOWABLE BOULDER LENGTH		ALLOWABLE BOULDER WIDTH	
	MINIMUM	MAXIMUM	MINIMUM	MAXIMUM
18"	12"	27"	12"	27"
22"	15"	33"	15"	33"
28"	19"	42"	19"	42"
36"	24"	54"	24"	54"
44"	29"	67"	29"	67"
55"	37"	83"	37"	83"



CROSS SECTION OF MULTIPLIER WALL
SCALE: NONE

NOTES:
1. THE MASS AND SIZE OF THE UPPER BASE BOULDER SHALL BE LESS THAN OR EQUAL TO THE LOWER BASE BOULDER.
2. THE UPPER WALL HEIGHT SHALL BE LESS THAN OR EQUAL TO IN HEIGHT THAN THE LOWER WALL HEIGHT.

INHERENT CHARACTERISTICS OF LARGE BOULDER RETAINING WALLS:

1. LARGE BOULDER RETAINING WALLS **DO NOT** HAVE THE CAPACITY TO WITHSTAND SEISMIC EVENTS.
2. LARGE BOULDER RETAINING WALLS **DO NOT** HAVE THE CAPACITY TO WITHSTAND SATURATED SOILS.
3. THE RETAINED HEIGHT OF LARGE BOULDER RETAINING WALLS IS DIRECTLY RELATED TO THE AVAILABILITY AND WORKING CAPACITY OF THE BOULDERS TO BE USED IN THE WALL.
4. LARGE BOULDER RETAINING WALLS ARE NOT HOMOGENEOUS STRUCTURAL SYSTEMS. THEREFORE THEIR RETAINING CAPABILITY IS LIMITED AND UNPREDICTABLE.
5. THE STABILITY, STRUCTURAL INTEGRITY, AND LONGEVITY OF LARGE BOULDER RETAINING WALLS DEPENDS LARGELY ON HOW WELL THE WALL HAS BEEN CONSTRUCTED.
6. THE LARGE BOULDER RETAINING WALL DESIGN SHOWN IS LIMITED TO A MAXIMUM HEIGHT OF 8'-10".

LARGE BOULDER RETAINING WALL NOTES:

1. SUPPORT BOULDERS ARE TO BE 1.25x LARGER, BY MASS AS WELL AS BY SIZE, THAN THOSE POSITIONED IMMEDIATELY ABOVE.
2. BOULDER SIZES MAY NOT VARY MORE THAN PLUS OR MINUS 10% OF REQUIRED SIZES.
3. BOULDERS ARE TO MAKE CONTACT WITH ALL ADJOINING BOULDERS. THEY MUST BE KEED TOGETHER AND INTERLOCKED.
4. THE MAXIMUM SLOPE OF THE LARGE BOULDER RETAINING WALL SHALL NOT EXCEED A 1 TO 2 PITCH (1 HORIZONTAL UNIT PER 2 VERTICAL UNITS). SLOPE SHALL BE MEASURED FROM CENTER OF MASS OF EACH BOULDER.
5. THE BOTTOM COURSE OF BOULDERS ARE TO BE BURIED A MINIMUM DEPTH OF NOT LESS THAN 1/2 OF THEIR DIAMETER.
6. BOULDERS ARE TO BE PLACED SUCH THAT NO TWO ADJACENT JOINTS LINE UP WITH ONE ANOTHER IN THE VERTICAL DIRECTION.
7. BASE SOILS SHALL BE THOROUGHLY COMPACTED (90% PROCTOR) BEFORE BOULDERS ARE PLACED.
8. PROVIDE PROPER DRAINAGE AT EVERY THIRD BOULDER LAYER.
9. SOILS ARE ASSUMED TO HAVE AN ACTIVE PRESSURE NOT TO EXCEED 37 PSF.
10. PROVIDE MEANS TO MAINTAIN RANGE OF OPTIMUM MOISTURE CONTENT FOR EXISTING SOIL CONDITIONS.

Reeve & Associates, Inc. - Solutions You Can Build On

Reeve & Associates, Inc.
920 CHAMBERS STREET, SUITE 14, OGDEN, UTAH 84403
TEL: (801) 921-2100 FAX: (801) 621-2666 www.reeve-assoc.com
LAND PLANNERS • CIVIL ENGINEERS • LAND SURVEYORS
TRA ARCHITECTS • STRUCTURAL ENGINEERS • LANDSCAPE ARCHITECTS

REVISIONS	DATE	DESCRIPTION
7-20-12	RH	Utility Changes
7-31-12	RH	Design Complete
8-14-13	CA	Design Complete
8-21-13	RH	Co. Eng. Review
7-3-13	RH	Co. Eng. Review
8-16-13	RH	Co. Eng. Review

Edgewater Beach Resort Phase-1
WEBER COUNTY, UTAH
Civil Details

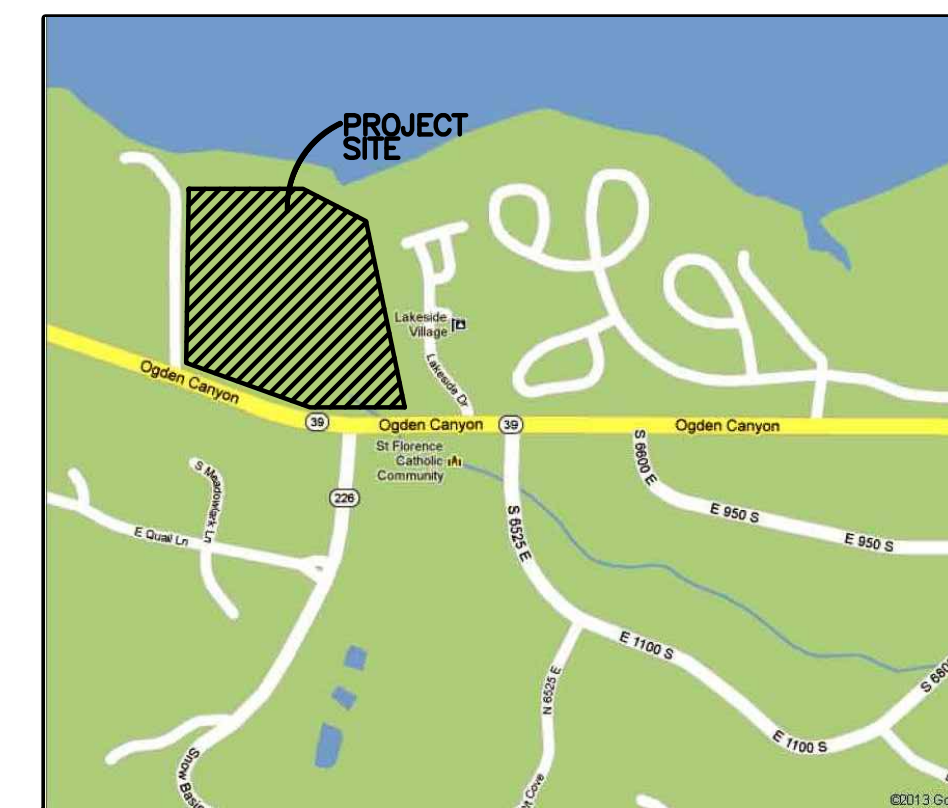
Revised 8-16-13

REGISTERED PROFESSIONAL ENGINEER
375328
J. NATE REEVE
STATE OF UTAH

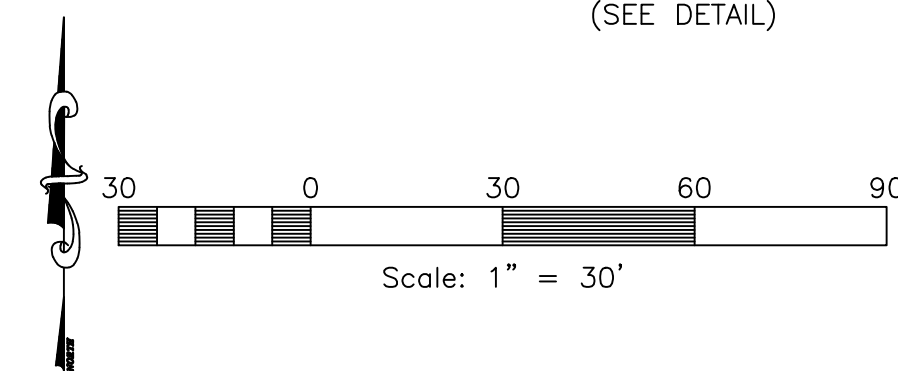
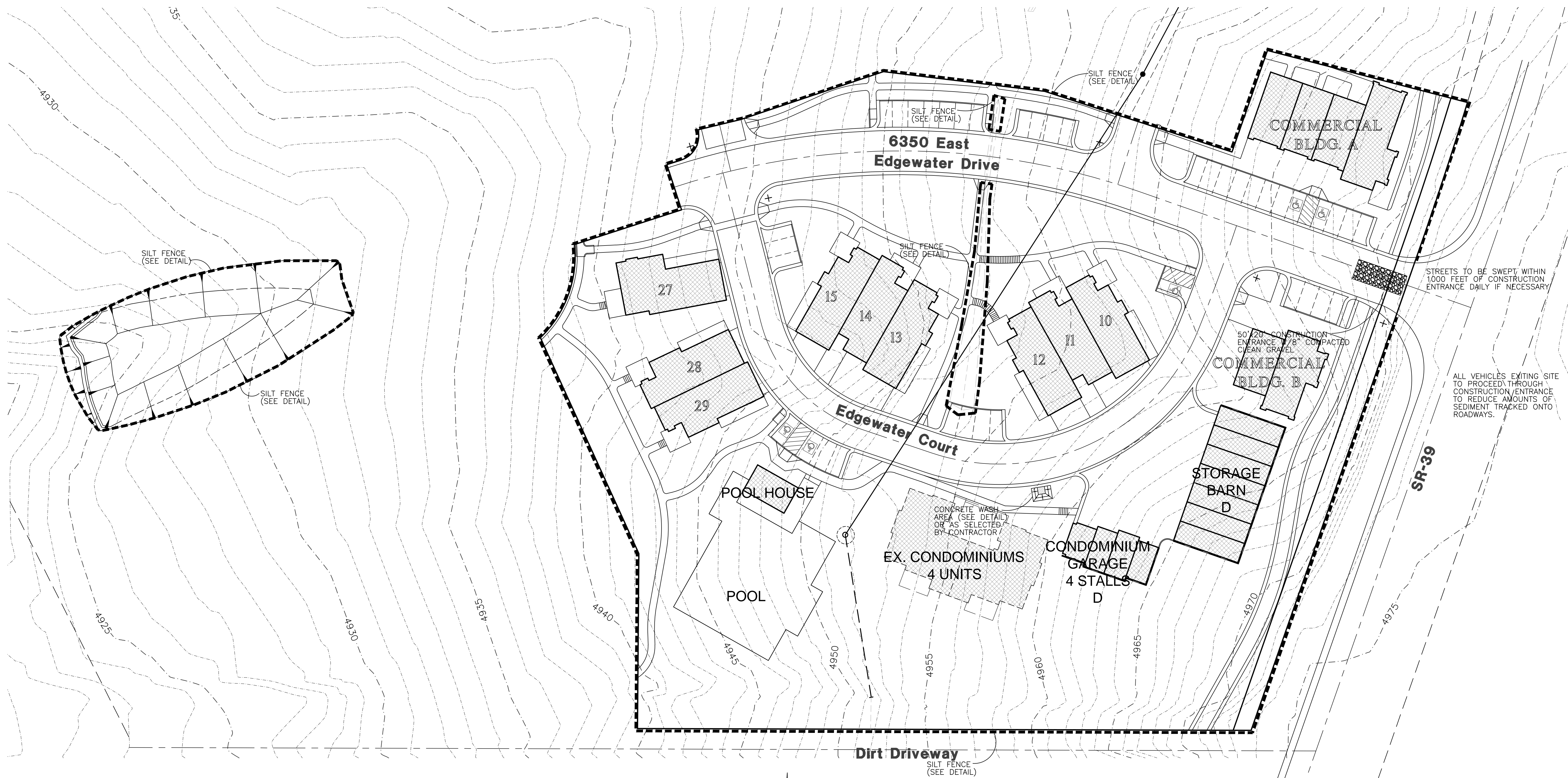
Project Info.
Engineer: J. NATE REEVE, P.E.
Drafted: R. HANSEN
Begin Date: JULY 09, 2012
Name: EDGEWATER BEACH RESORT PHASE-1
Number: 5917-15

EDGEWATER ESTATES Phase-1 Storm Water Pollution Prevention Plan Exhibit

WEBER COUNTY, UTAH
AUGUST 2013



Vicinity Map
NOT TO SCALE



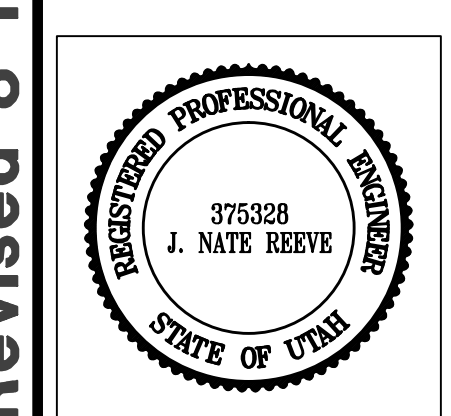
Construction Activity Schedule

- PROJECT LOCATION.....WEBER COUNTY, UTAH
- PROJECT BEGINNING DATE.....AUGUST 2013
- BMP'S DEPLOYMENT DATE.....AUGUST 2013
- STORM WATER MANAGEMENT CONTACT / INSPECTOR.....REESE HOWELL, JR. (801) 363-6500
- SPECIFIC CONSTRUCTION SCHEDULE INCLUDING BMP CONSTRUCTION SCHEDULE TO BE INCLUDED WITH SWPPP BY OWNER/DEVELOPER

Reeve & Associates, Inc.
IRA
 920 CHAMBERS STREET, SUITE 14, OGDEN, UTAH 84403
 TEL: (801) 921-2100 FAX: (801) 621-2666 WWW.REEVE-ASSOC.COM
 LAND PLANNERS • CIVIL ENGINEERS • LAND SURVEYORS
 TRAFFIC ENGINEERS • STRUCTURAL ENGINEERS • LANDSCAPE ARCHITECTS

DATE	DESCRIPTION
7-20-12	RH Utility Changes
7-31-12	RH Design Complete
3-14-13	CA Design Complete
6-21-13	RH Co. Eng. Review
7-3-13	RH Co. Eng. Review
8-16-13	RH Co. Eng. Review

**Edgewater Beach Resort
Phase-1**
 WEBER COUNTY, UTAH
**Storm Water Pollution
Prevention Plan Exhibit**



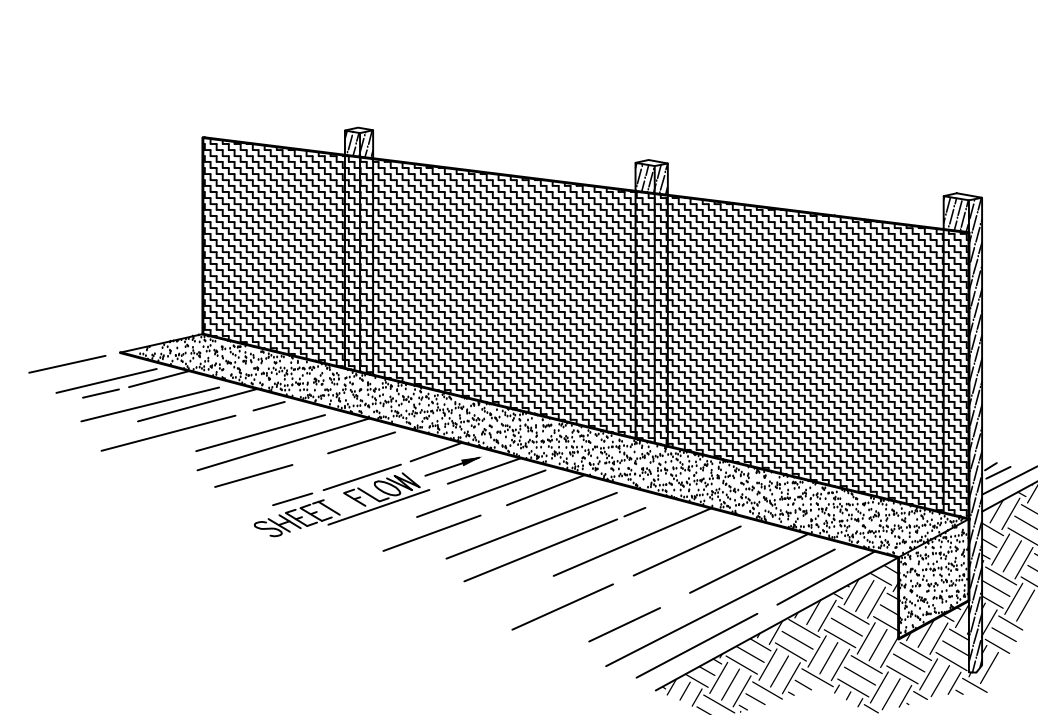
Revised 8-16-13

Project Info.	
Engineer:	J. NATE REEVE, P.E.
Drafter:	R. HANSEN
Begin Date:	JULY 09, 2012
Name:	EDGEWATER BEACH RESORT PHASE-1
Number:	5917-15

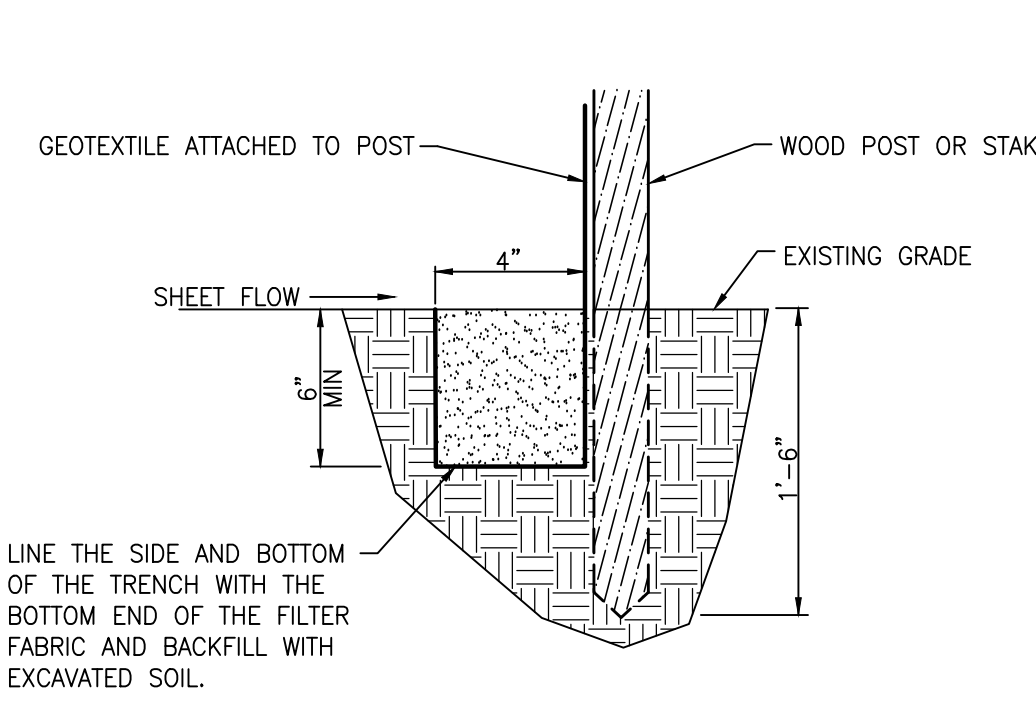
Sheet	11
10	Sheets

Notes:

- Describe all BMP's to protect storm water inlets:
All storm water inlets to be protected by straw wattle barriers, or gravel bags (see detail).
- Describe BMP's to eliminate/reduce contamination of storm water from:
 - Equipment / building / concrete wash areas:
To be performed in designated areas only and surrounded with silt fence barriers.
 - Soil contaminated by soil amendments:
If any contaminants are found or generated, contact environmental engineer and contacts listed.
 - Areas of contaminated soil:
If any contaminants are found or generated, contact environmental engineer and contacts listed.
 - Fueling area:
To be performed in designated areas only and surrounded with silt fence.
 - Vehicle maintenance areas:
To be performed in designated areas only and surrounded with silt fence.
 - Vehicle parking areas:
To be performed in designated areas only and surrounded with silt fence.
 - Equipment storage areas:
To be performed in designated areas only and surrounded with silt fence.
 - Materials storage areas:
To be performed in designated areas only and surrounded with silt fence.
 - Waste containment areas:
To be performed in designated areas only and surrounded with silt fence.
 - Service areas:
To be performed in designated areas only and surrounded with silt fence.
- BMP's for wind erosion:
Stockpiles and site as needed to be watered regularly to eliminate / control wind erosion
- Construction Vehicles and Equipment:
 - Maintenance
 - Maintain all construction equipment to prevent oil or other fluid leaks.
 - Keep vehicles and equipment clean, prevent excessive build-up of oil and grease.
 - Regularly inspect on-site vehicles and equipment for leaks, and repair immediately.
 - Check incoming vehicles and equipment (including delivery trucks, and employee and subcontractor vehicles) for leaking oil and fluids. Do not allow leaking vehicles or equipment on-site.
 - Segregate and recycle wastes, such as greases, used oil or oil filters, antifreeze, cleaning solutions, automotive batteries, hydraulic, and transmission fluids.
 - Fueling
 - If fueling must occur on-site, use designated areas away from drainage.
 - Locate on-site fuel storage tanks within a bermed area designed to hold the tank volume.
 - Cover retention area with an impervious material and install in a manner to ensure that any spills will be contained in the retention area. To catch spills or leaks when removing or changing fluids.
 - Use drip pans for any oil or fluid changes.
 - Washing
 - Use as little water as possible to avoid installing erosion and sediment controls for the wash area.
 - If washing must occur on-site, use designated, bermed wash areas to prevent waste water discharge into storm water, creeks, rivers, and other water bodies.
 - Use phosphate-free, biodegradable soaps.
 - Do not permit steam cleaning on-site.
- Spill Prevention and Control
 - Minor Spills:
Minor spills are those which are likely to be controlled by on-site personnel. After contacting local emergency response agencies, the following actions should occur upon discovery of a minor spill:
 - Contain the spread of the spill.
 - If the spill occurs on paved or impermeable surfaces, clean up using "dry" methods (i.e. absorbent materials, cat litter, and / or rags).
 - If the spill occurs in dirt areas, immediately contain the spill by constructing an earth dike. Dig up properly dispose of contaminated soil.
 - If the spill occurs during rain, cover the impacted area to avoid runoff.
 - Record all steps taken to report and contain spill.
 - Major Spills:
On-site personnel should not attempt to control major spills until the appropriate and qualified emergency response staff have arrived at the site. For spills of federal reportable quantities, also notify the National Response Center at (800) 424-8802. A written report should be sent to all notified authorities. Failure to report major spills can result in significant fines and penalties.
- Post Roadway / Utility Construction
 - Maintain good housekeeping practices.
 - Enclose or cover building material storage areas.
 - Properly store materials such as paints and solvents.
 - Store dry and wet materials under cover, away from drainage areas.
 - Avoid mixing excess amounts of fresh concrete or cement on-site.
 - Perform washout of concrete trucks offsite or in designated areas only.
 - Do not wash out concrete trucks into storm drains, open ditches, streets or streams.
 - Do not place material or debris into streams, gutters or catch basins that stop or reduce the flow of runoff water.
 - All public streets and storm drain facilities shall be maintained free of building materials, mud and debris caused by grading or construction operations. Roads will be swept within 1000' of construction entrance daily, if necessary.
 - Install straw wattle around all inlets contained within the development and all others that receive runoff from the development.
- Erosion Control Plan Notes
 - The contractor will designate an emergency contact that can be reached 24 hours a day 7 days a week.
 - A stand-by crew for emergency work shall be available at all times during potential rain or snow runoff events. Necessary materials shall be available on site and stockpiled at convenient locations to facilitate rapid construction of emergency devices when rain or runoff is eminent.
 - Erosion control devices shown on the plans and approved for the project may not be removed without approval of the engineer of record. If devices are removed, no work may continue that have the potential of erosion without consulting the engineer of record. If deemed necessary erosion control should be reestablished before this work begins.
 - Graded areas adjacent to fill slopes located at the site perimeter must drain away from the top of the slope at the conclusion of each working day. This should be confirmed by survey or other means acceptable to the engineer of record.
 - All silt and debris shall be removed from all devices within 24 hours after each rain or runoff event. Except as otherwise approved by the inspector, all removable protective devices shown shall be in place at the end of each working day and through weekends until removal of the system is approved.
 - All loose soil and debris, which may create a potential hazard to offsite property, shall be removed from the site as directed by the Engineer of record of the governing agency.
 - The placement of additional devices to reduce erosion damage within the site is left to the discretion of the Engineer of record.
 - Desilting basins may not be removed or made inoperable without the approval of the engineer of record and the governing agency.
 - Erosion control devices will be modified as need as the project progresses, and plans of these changes submitted for approval by the engineer of record and the governing agency.
- Conduct a minimum of one inspection of the erosion and sediment controls every two weeks. Maintain documentation on site.
 - Part III.D.4 of general permit UTR300000 identifies the minimum inspection requirements.
 - Part III.D.4.C identifies the minimum inspection report requirements.
 - Failure to complete and/or document storm water inspections is a violation of part III.D.4 of Utah General Permit UTR 300000.



Perspective View



Section

INSTALLATION

The silt fence should be installed prior to major soil disturbances in the drainage area. The fence should be placed across the slope along a line of uniform elevation wherever flow of sediment is anticipated. Table 1 shows generally-recommended maximum slope lengths (slope spacing between fences) at various site grades for most silt fence applications.

TABLE 1: Recommended Maximum Slope Lengths for Silt Fence (Richardson & Middlebrooks, 1991)	
Slope Steepness (%)	Max. Slope Length m (ft)
<2%	30.5m (100ft)
2-5%	22.9m (75ft)
5-10%	15.2m (50ft)
10-20%	7.6m (25ft)
>20%	4.5m (15ft)

PREFABRICATED SILT FENCE ROLLS

- Excavate a minimum 15.2cm x 15.2cm (6"x6") trench at the desired location.
- Unroll the silt fence, positioning the post against the downstream wall of the trench.
- Adjacent rolls of silt fence should be joined by nesting the end post of one fence into the other. Before nesting the end posts, rotate each post until the geotextile is wrapped completely around the post, then abut the end posts to create a tight seal as shown in Figure 1.
- Drive posts into the ground until the required fence height and/or anchorage depth is obtained.
- Bury the loose geotextile at the bottom of the fence in the upstream trench and backfill with natural soil, tamping the backfill to provide good compaction and anchorage. Figure 2 illustrates a typical silt fence installation and anchor trench placement.

- should generally be less than three (3) times the height of the fence.
- If a steel or plastic mesh is required to reinforce the geotextile, it shall have a minimum mesh opening of 15.2cm (6").
- Fasten the mesh to the upslope side of the posts using heavy duty wire staples, tie wires or hog strings. Extend the mesh into the bottom of the trench.
- The geotextile shall then be stapled or wired to the posts. An extra 20-50cm (8-20") of geotextile shall extend into the trench.

INSPECTION

- Inspect the silt fence daily during periods of rainfall, immediately after significant rainfall event and weekly during periods of no rainfall. Make any repairs immediately.
- When sediment deposits behind the silt fence are one-third of the fence height, remove and properly dispose of the silt accumulations. Avoid damage to the fabric during cleanout.

REMOVAL

- Silt fence should not be removed until construction ceases and the upslope area has been properly stabilized and/or revegetated.

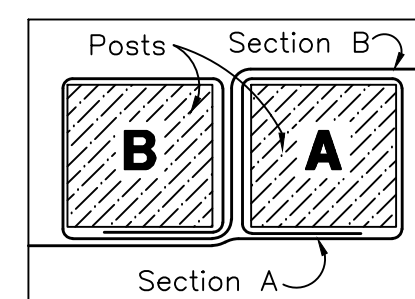
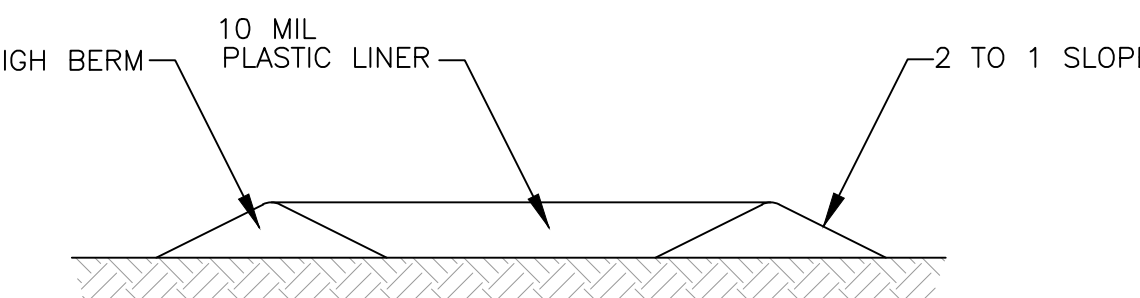
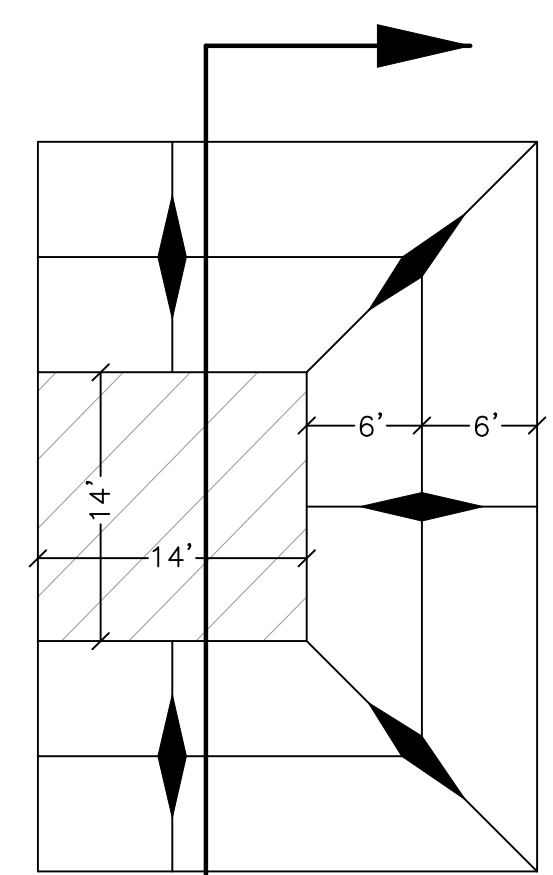


Figure 1:
Top View of
Roll-to-Roll Connection

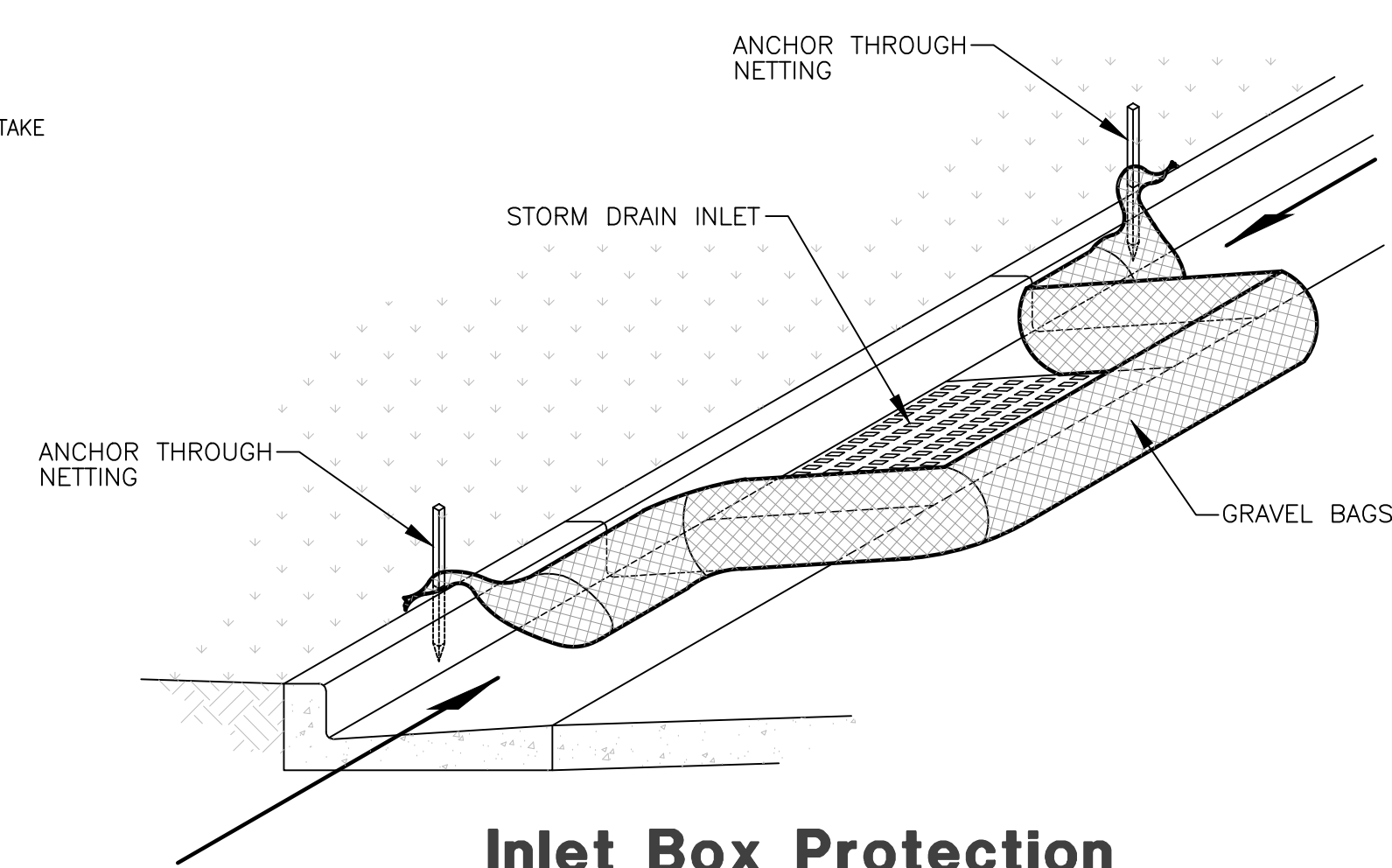
Silt Fence Detail

SCALE: NONE

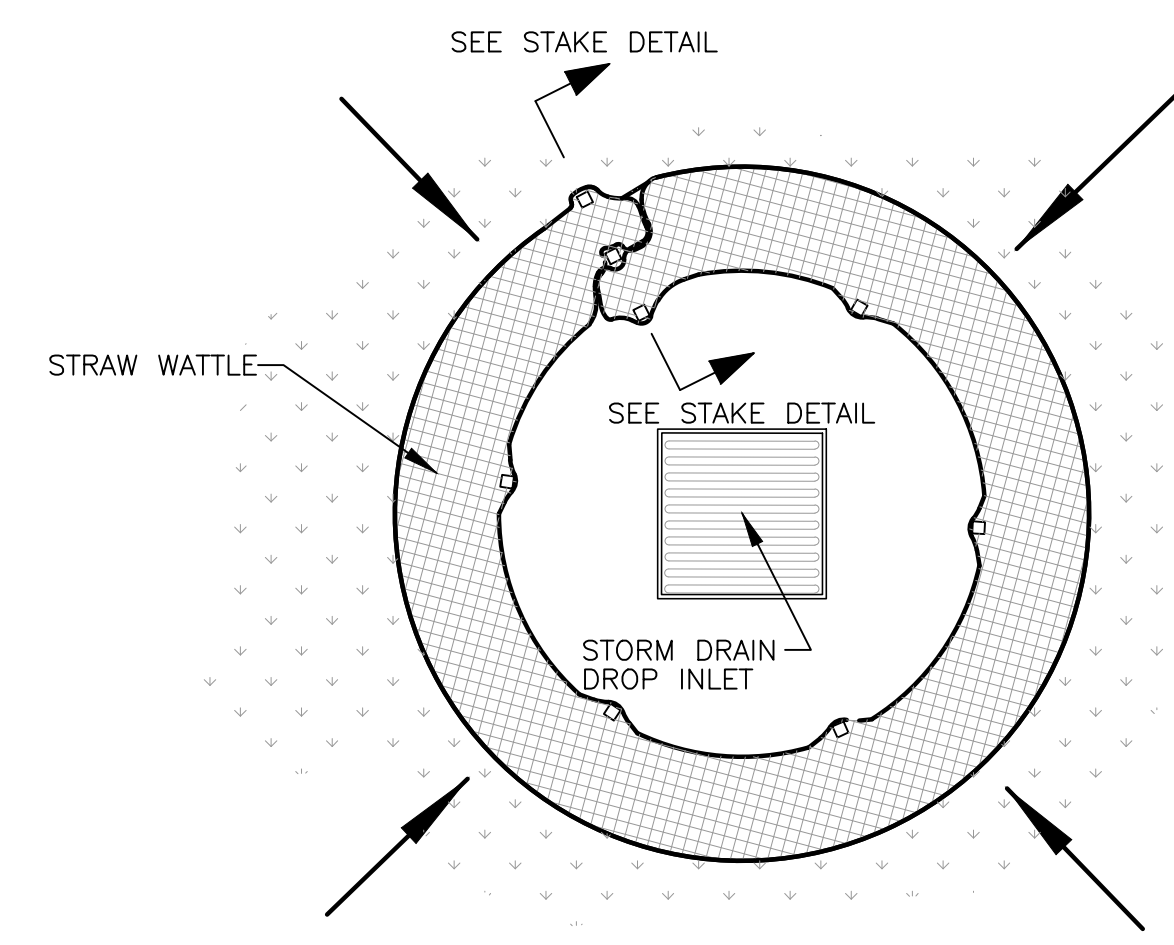


Concrete Washout Area w/ 10 mil Plastic Liner

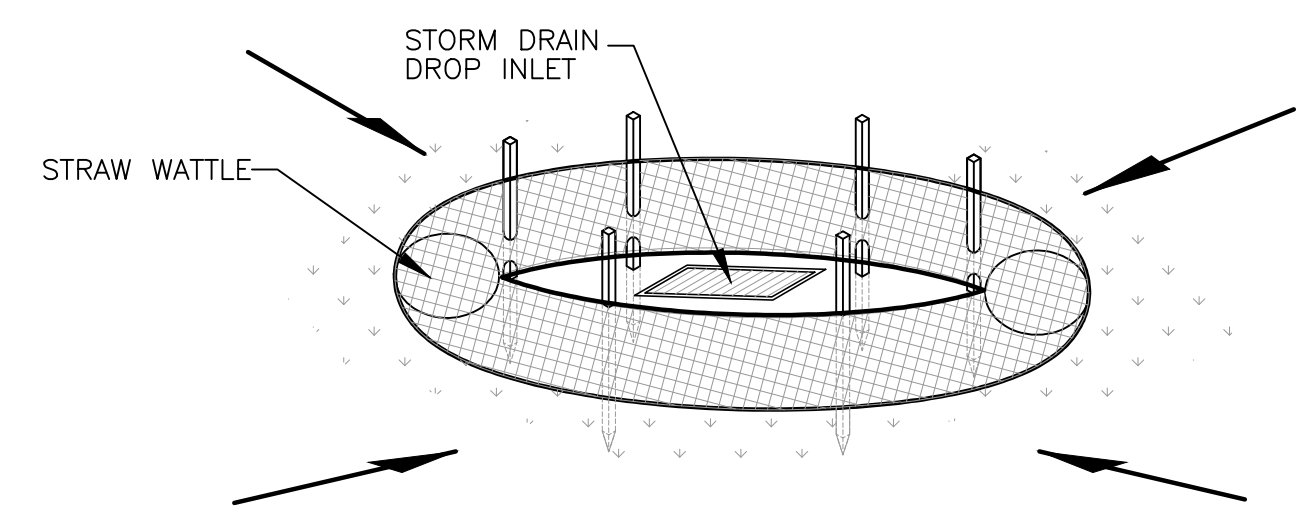
SCALE: NONE



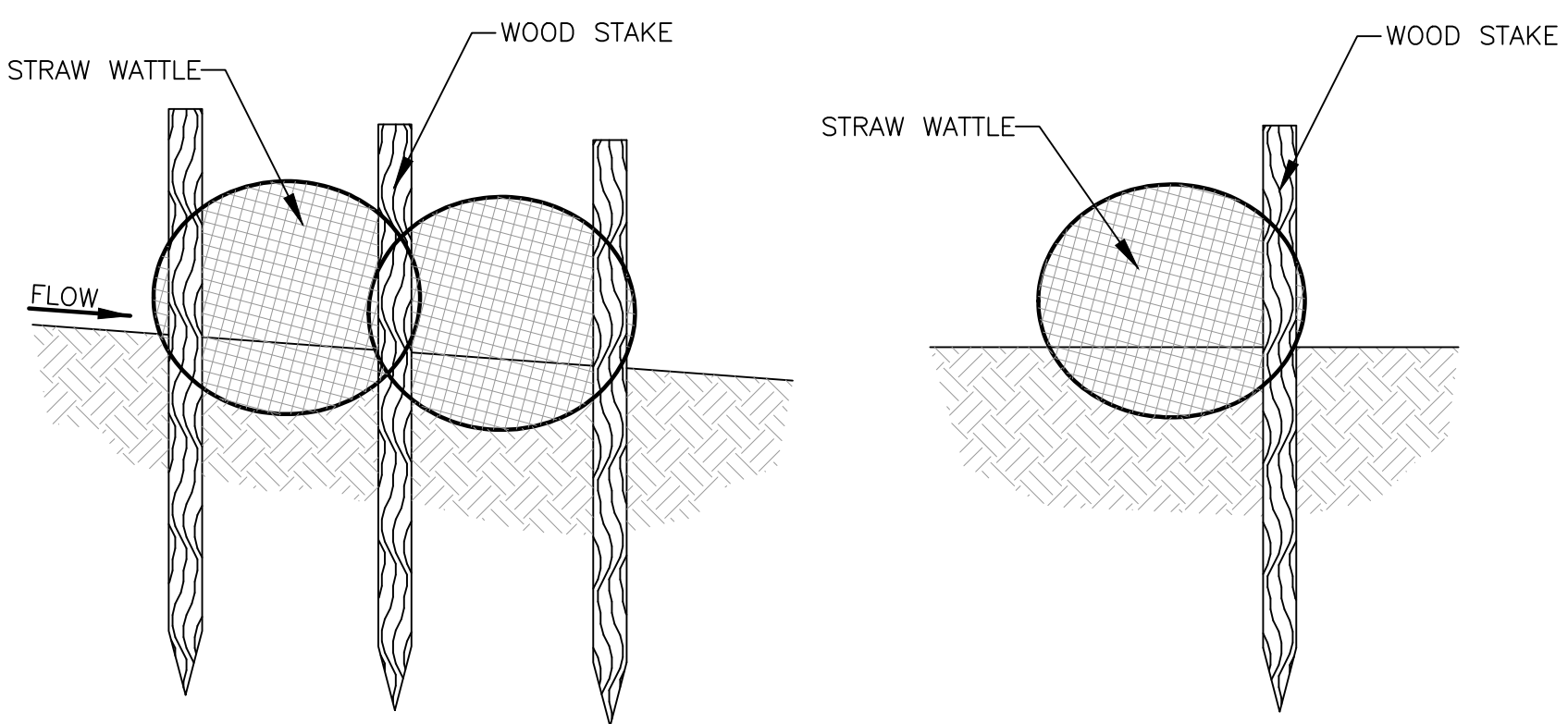
Inlet Box Protection



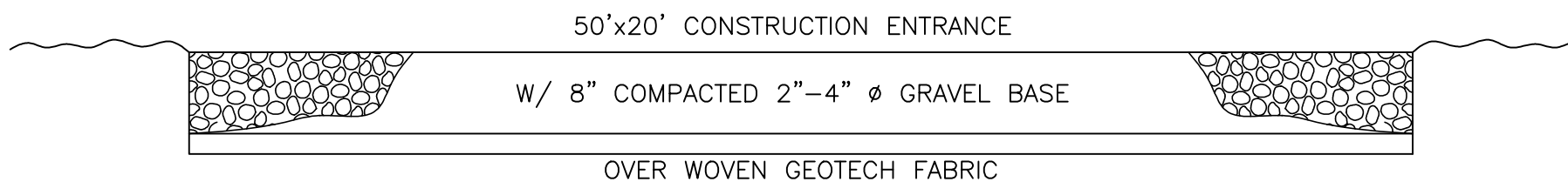
Plan View



Drop Inlet Protection



Stake Detail



Cross Section 50' x 20' Construction Entrance

Reeve & Associates, Inc.
IRA
 920 CHAMBERS STREET, SUITE #14, OGDEN, UTAH 84403
 TEL: (801) 621-2100 FAX: (801) 621-2666 www.reeve-assoc.com
 LAND PLANNERS • CIVIL ENGINEERS • LAND SURVEYORS
 PUBLIC ENGINEERS • LANDSCAPE ARCHITECTS

REVISIONS	DATE	DESCRIPTION
	7-20-12	RH Utility Changes
	7-31-12	RH Design Complete
	3-14-13	CA Design Complete
	6-21-13	RH Co. Eng. Review
	7-3-13	RH Co. Eng. Review
	8-16-13	RH Co. Eng. Review

Edgewater Beach Resort Phase-1
 WEBER COUNTY, UTAH
Storm Water Pollution Prevention Plan Details

REGISTERED PROFESSIONAL ENGINEER
 375328
J. NATE REEVE
 STATE OF UTAH

Project Info.
 Engineer: J. NATE REEVE, P.E.
 Drafter: R. HANSEN
 Begin Date: JULY 09, 2012
 Name: EDGEWATER BEACH RESORT PHASE-1
 Number: 5917-15

Sheet **11**
 11 Sheets