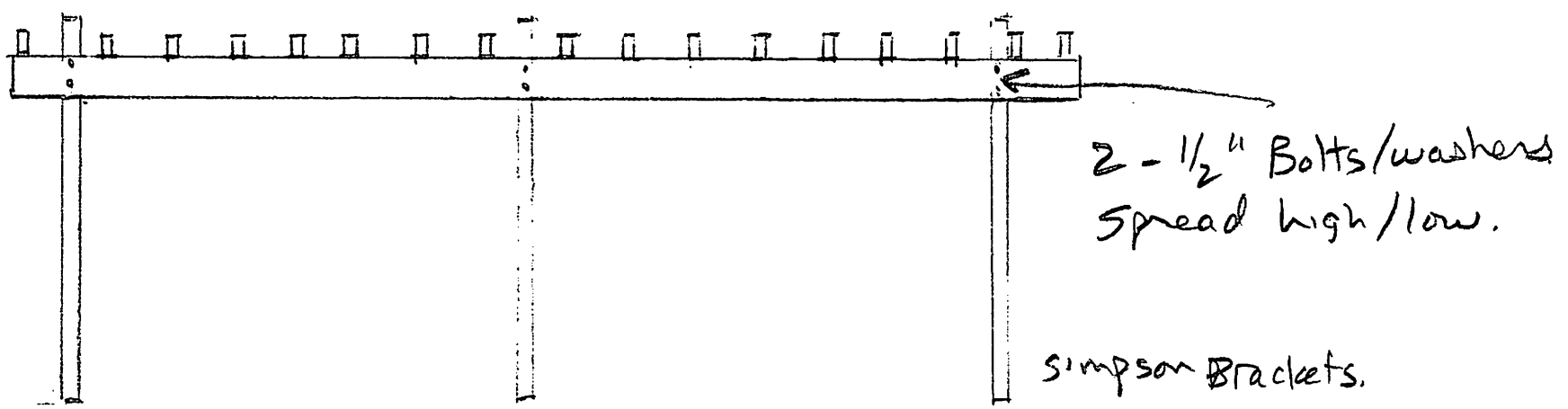
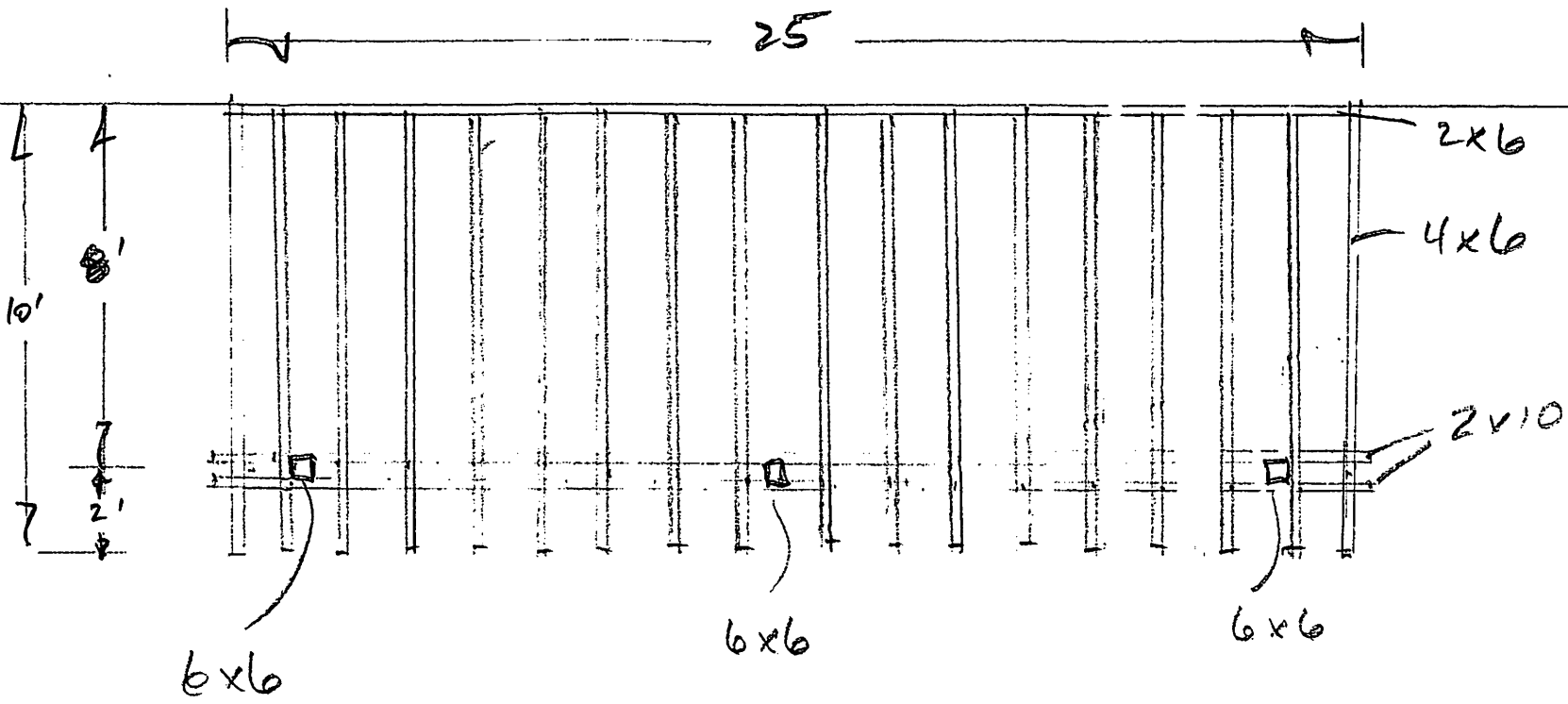
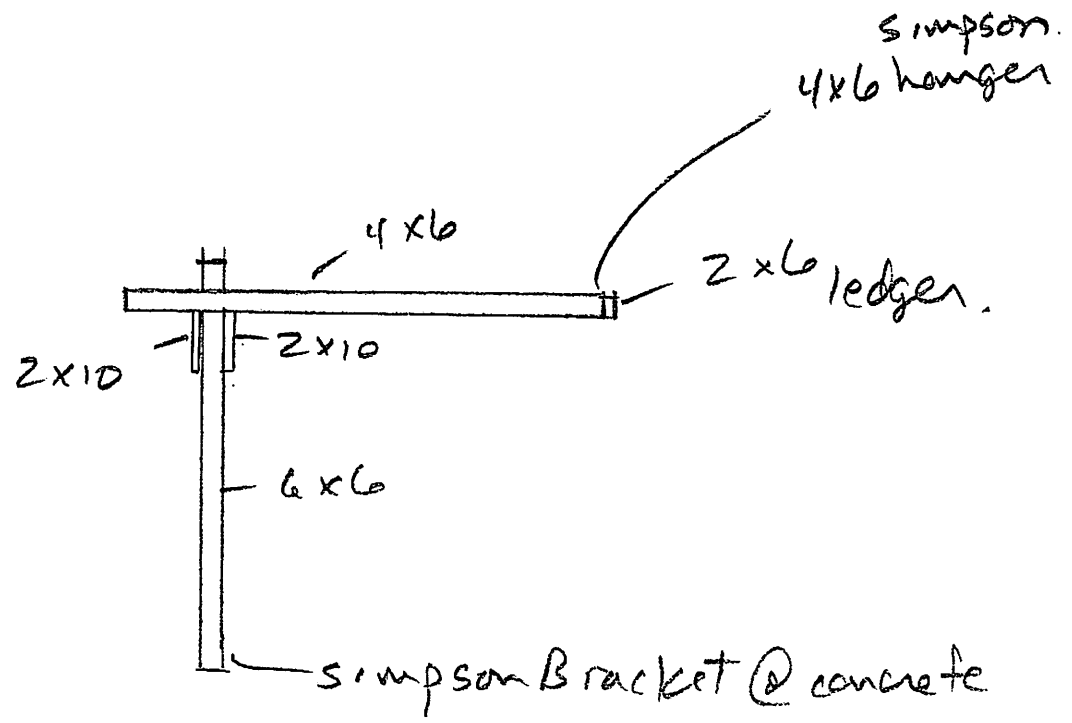


40 scale

House.



4x6 attached to 2x10's w/ screws, ^{deck.}



ledger screwed into studs @ house.

2x10's Bolted high & low 1/2" x 12" Bolts.