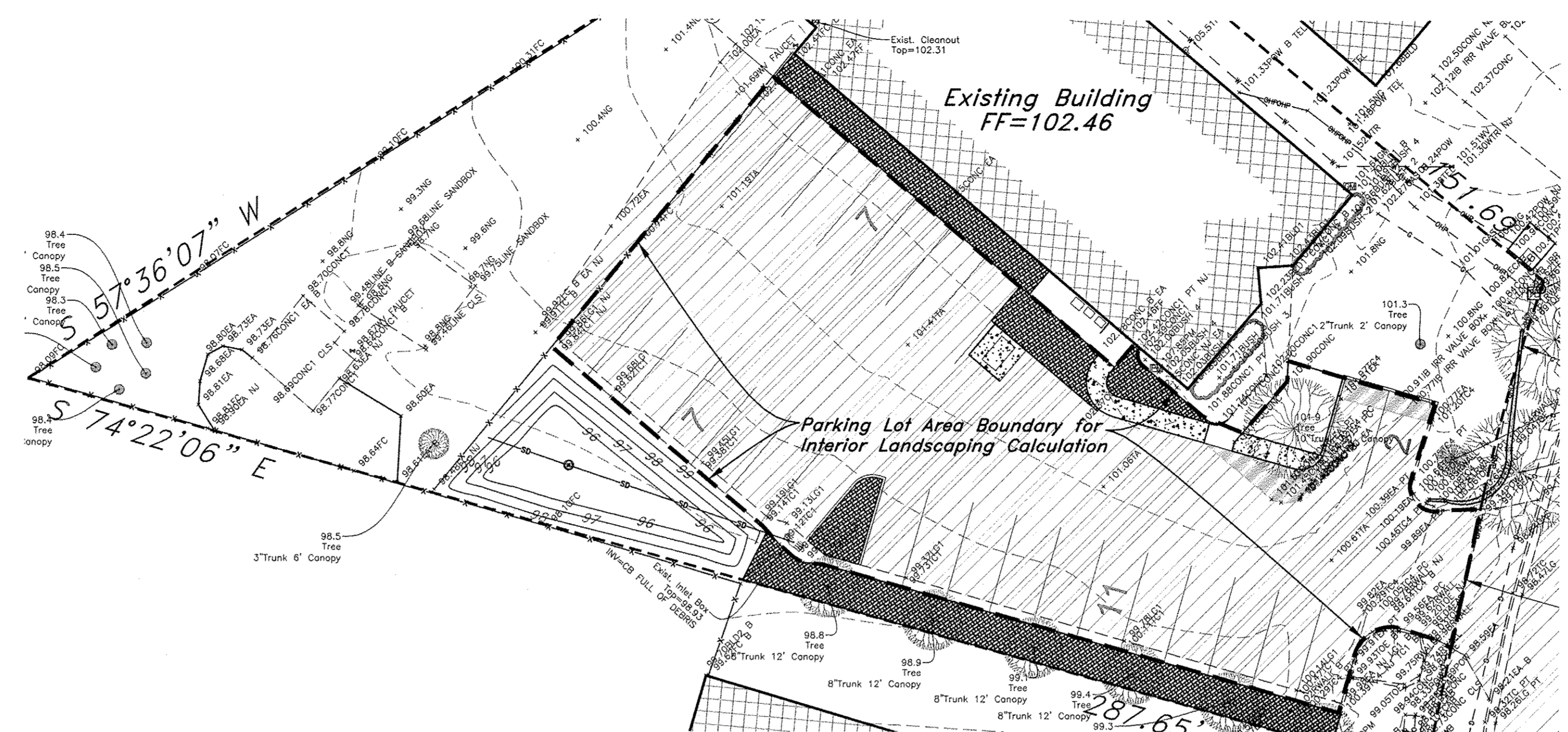
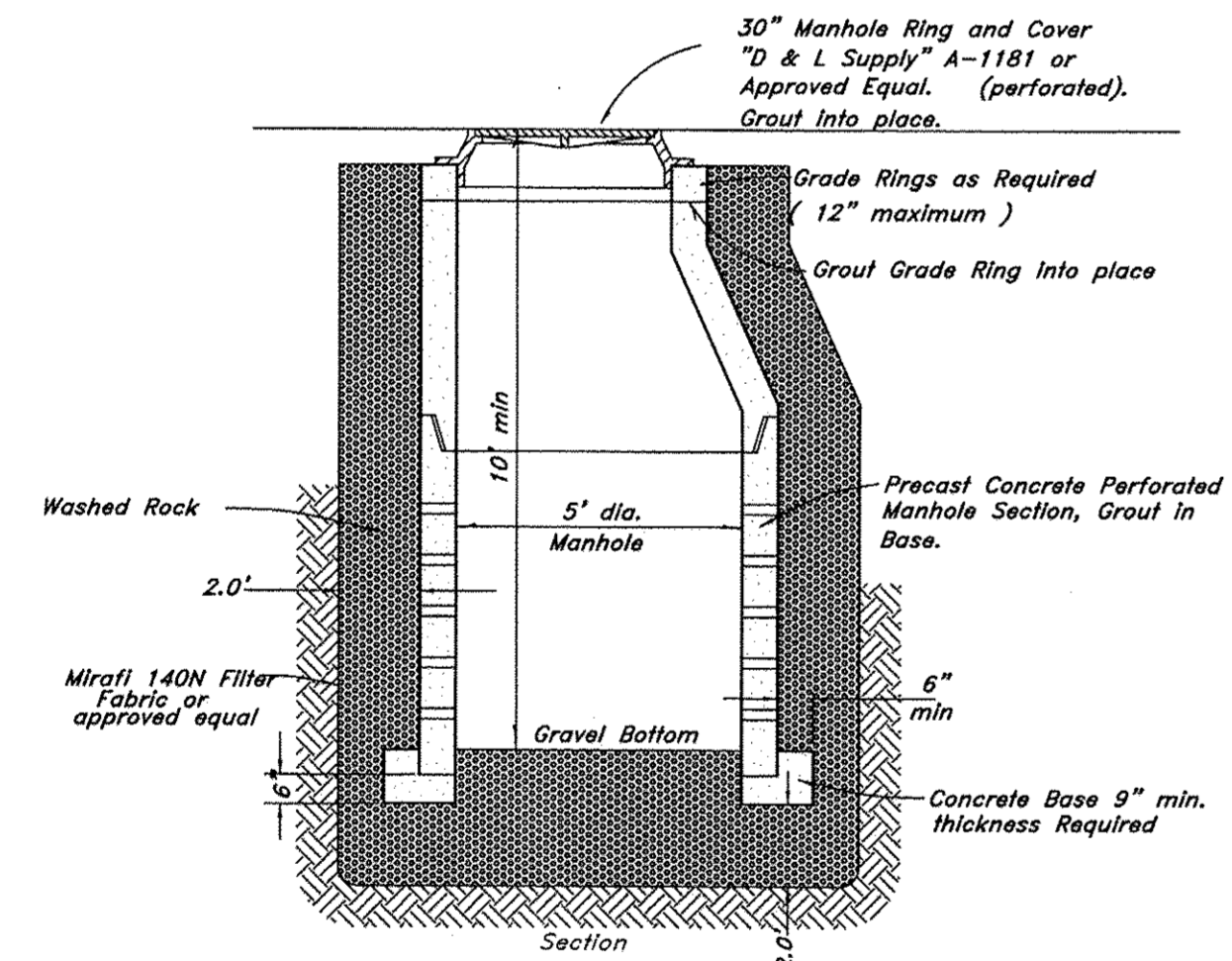
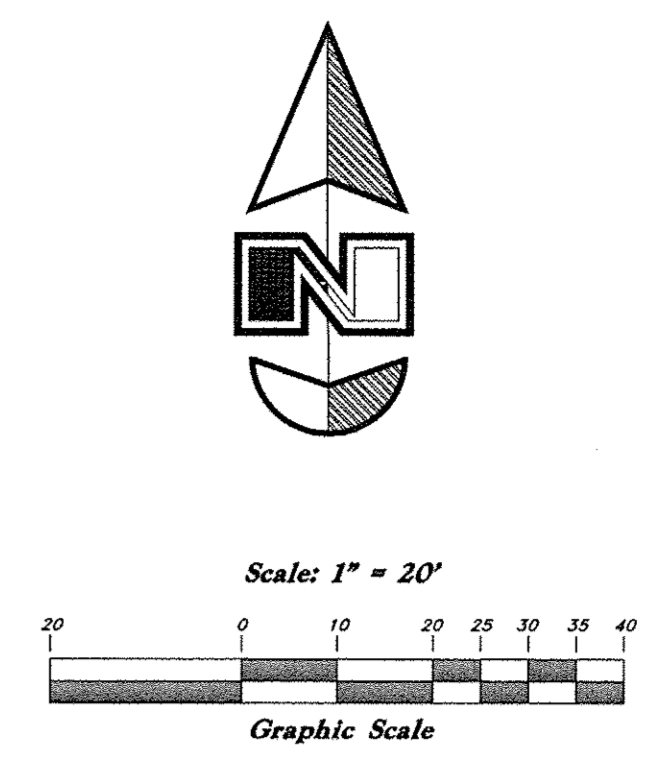


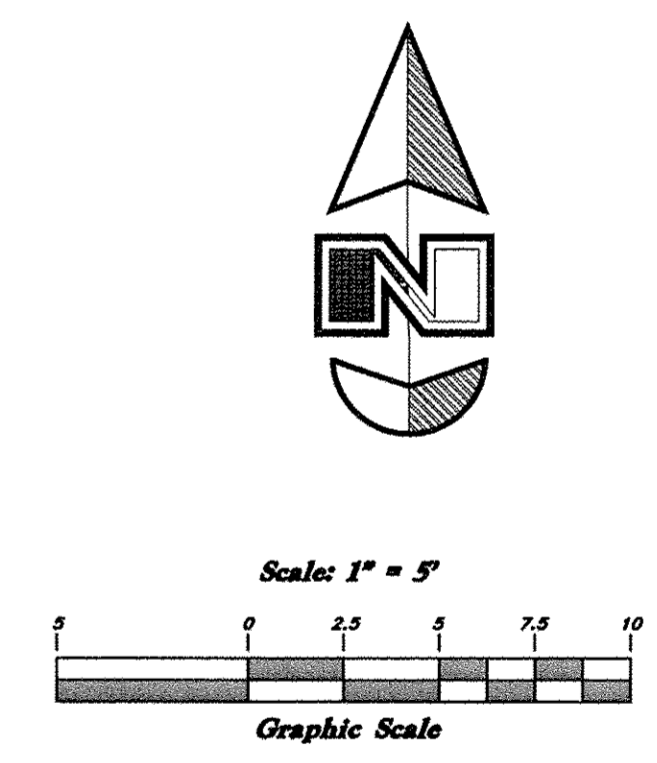
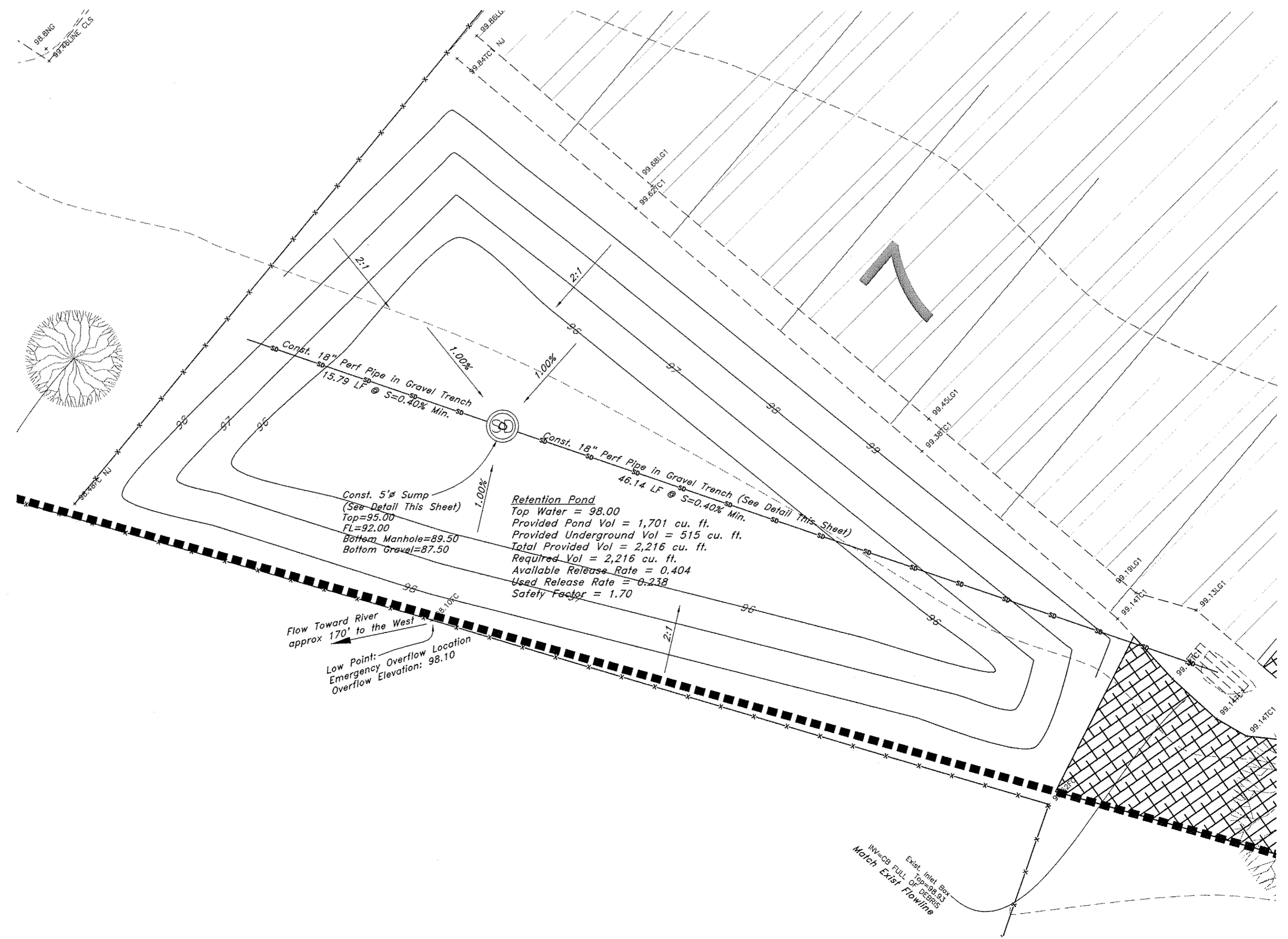
1 Gravel Trench in Detention Pond
Not to Scale



Parking Lot Area = 10,640 sq. ft.
Interior Landscaping Area = 637 sq. ft.
Interior Landscaping %-age = 637/10640 = 5.99%



2 Typical Sump Detail
Not to Scale



GREAT BASIN ENGINEERING
5746 SOUTH 1475 EAST OGDEN, UTAH 84403
MAIN (801)994-4515 S.L.C (801)521-0222 FAX (801)992-7544
WWW.GREATBASINENGINEERING.COM

Retention Pond and Details
Daycare Eden
4766 E 2600 N
Eden, Utah 84310
A part of Section 34, T7N, R1E, S1E&M, U.S. Survey



Dec, 2012

SHEET NO. **C3**

12N244