

Project Narrative/Notes/Revisions

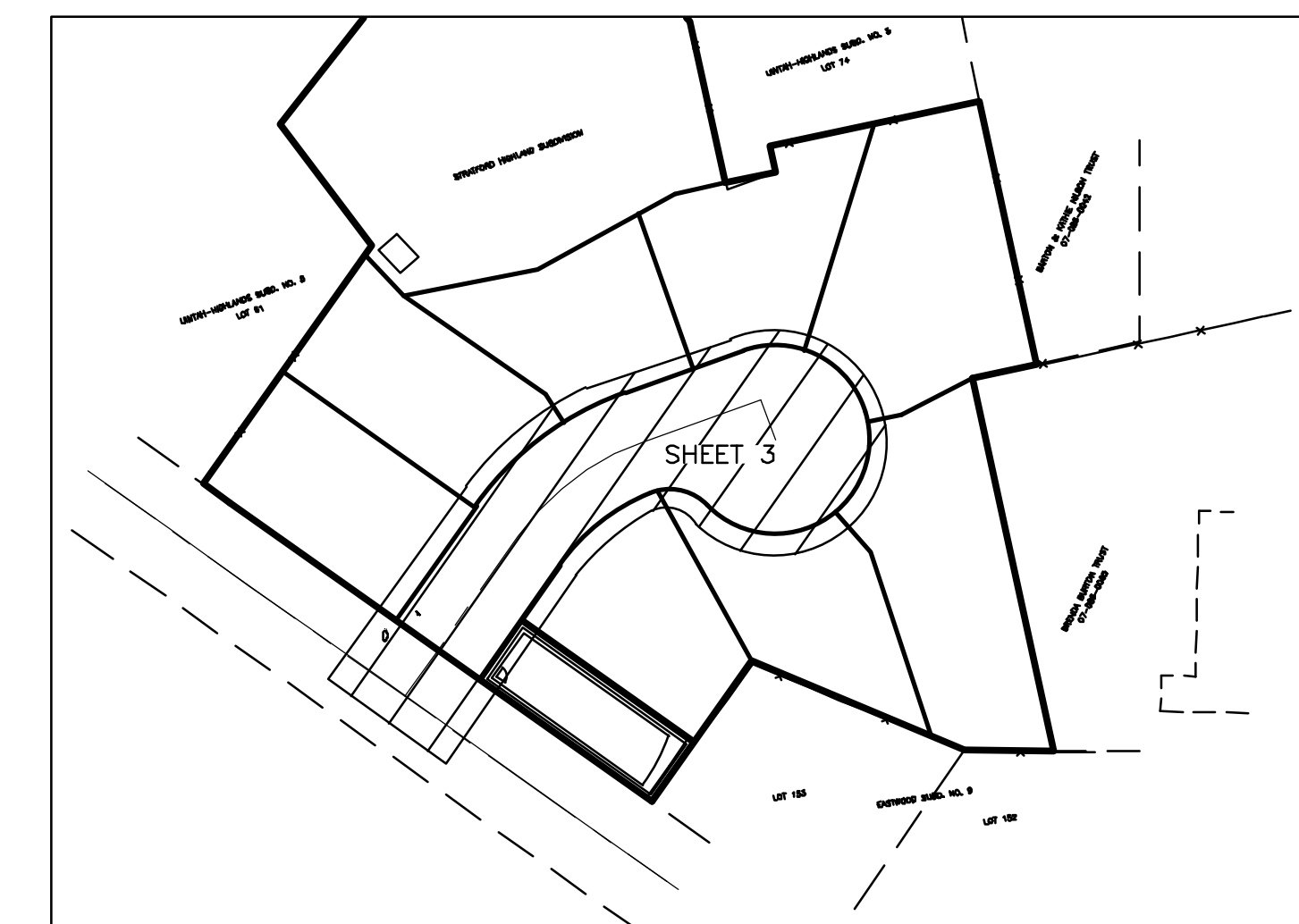
1. 12/19/18 CK - COMPLETED DESIGN FOR CLIENT & CITY REVIEW.
2. 02/28/19 CK - UPDATED SECONDARY WATER CONNECTION LOCATION.
3. 03/11/19 CK - UPDATED PER COUNTY REVIEW COMMENTS.
4. 04/09/19 CK - UPDATED PER COUNTY REVIEW COMMENTS.

Uintah View Estates Improvement Plans

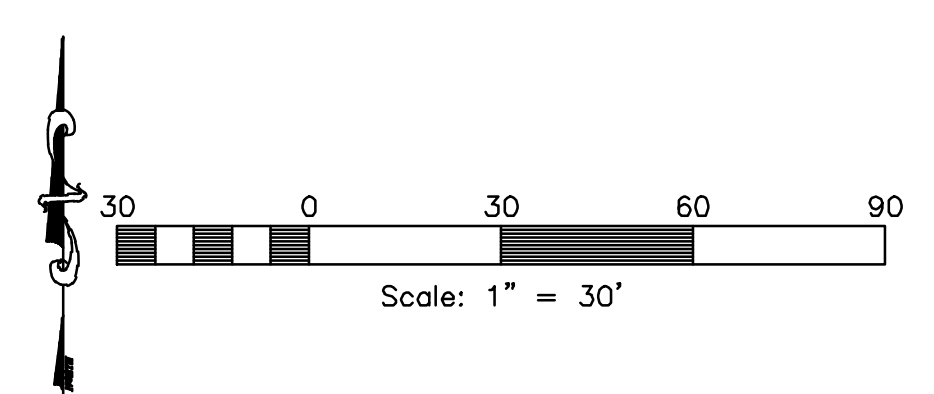
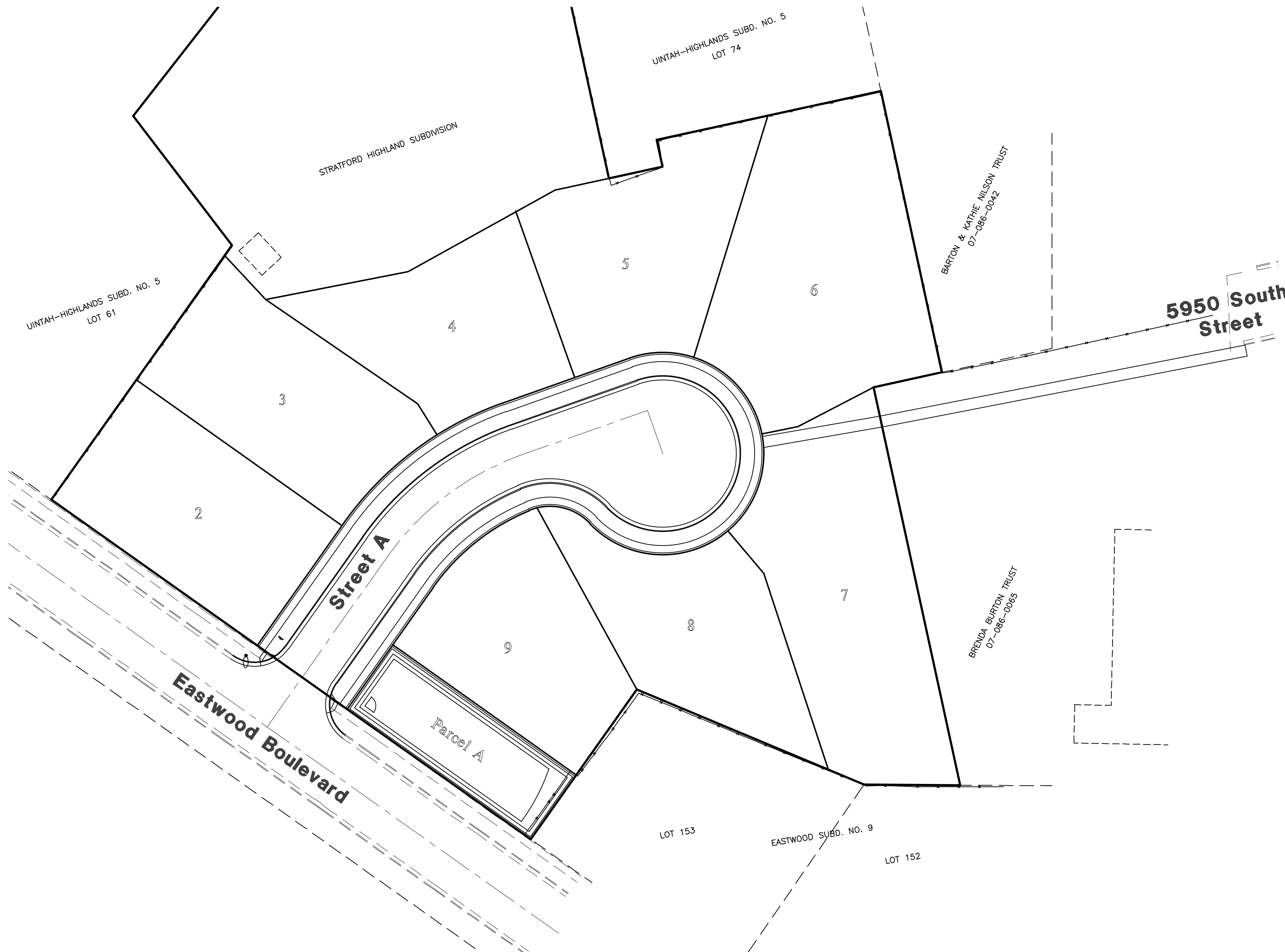
OGDEN CITY, WEBER COUNTY, UTAH
DECEMBER 2018



Vicinity Map
SCALE: NONE

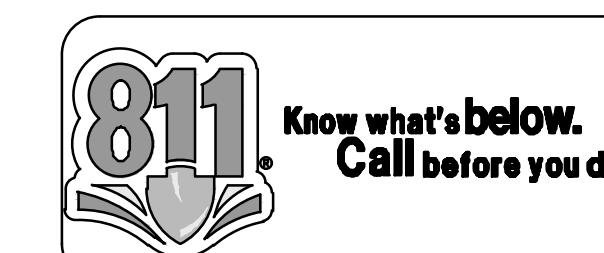


Sheet Index Key Map
NOT TO SCALE



Sheet Index

- Sheet 1 - Cover/Index Sheet
- Sheet 2 - Notes/Legend/Street Cross-Section
- Sheet 3 - Street A - 4+50.00 - 8+50.00
- Sheet 4 - Grading & Drainage Plan
- Sheet 5 - Utility Plan
- Sheet 6 - Storm Water Pollution Prevention Plan Exhibit
- Sheet 7 - Storm Water Pollution Prevention Plan Details
- Sheet 8 - Details



Engineer's Notice To Contractors
THE EXISTENCE AND LOCATION OF ANY UNDERGROUND UTILITY PIPES OR STRUCTURES SHOWN ON THESE PLANS WERE OBTAINED FROM AVAILABLE INFORMATION PROVIDED BY OTHERS. THE LOCATIONS SHOWN ARE APPROXIMATE AND SHALL BE CONFIRMED IN THE FIELD BY THE CONTRACTOR, SO THAT ANY NECESSARY ADJUSTMENT CAN BE MADE IN ALIGNMENT AND/OR GRADE OF THE PROPOSED IMPROVEMENT. THE CONTRACTOR IS REQUIRED TO CONTACT THE UTILITY COMPANIES AND TAKE DUE PRECAUTIONARY MEASURE TO PROTECT ANY UTILITY LINES SHOWN, AND ANY OTHER LINES OBTAINED BY THE CONTRACTOR'S RESEARCH, AND OTHERS NOT OF RECORD OR NOT SHOWN ON THESE PLANS.

Developer Contact:
Jeremy Jaggi
4287 Harrison Blvd. #135
Ogden, Utah. 84403
PH: (805) 559-0197

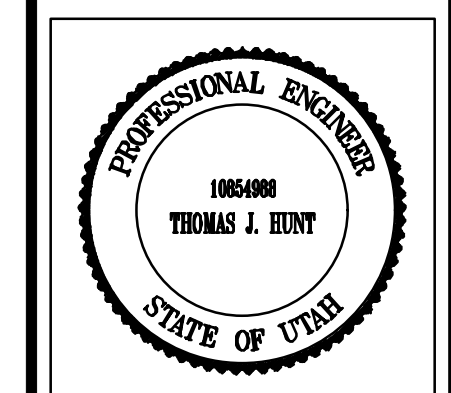
Project Contact:
Project Manager: Chris Cave
Project Engineer: Thomas Hunt

Reeve & Associates, Inc.
5160 SOUTH 1500 WEST, RIVERDALE, UTAH 84405
TEL: (801) 851-1000 FAX: (801) 851-2866 www.reeve-associates.com
LAND PLANNERS • CIVIL ENGINEERS • LAND SURVEYORS
TRAFFIC ENGINEERS • STRUCTURAL ENGINEERS • LANDSCAPE ARCHITECTS

DATE	DESCRIPTION
02-28-19 CK	SW Location
03-11-19 CK	County Review
04-09-19 CK	County Review

Uintah View Estates
OGDEN CITY, WEBER COUNTY, UTAH

Cover/Index Sheet



Project Info.
Engineer: THOMAS J. HUNT, P.E.
Drafted: C. KINGSLEY
Begin Date: DECEMBER 2018
Name: UINTAH VIEW ESTATES
Number: 7075-01

Sheet **8**
1 Sheets

General Notes:

- 1. ALL CONSTRUCTION MUST STRICTLY FOLLOW THE STANDARDS AND SPECIFICATIONS SET FORTH BY: GOVERNING UTILITY MUNICIPALITY, GOVERNING CITY OR COUNTY (IF UN-INCORPORATED), INDIVIDUAL PRODUCT MANUFACTURERS, AMERICAN PUBLIC WORKS ASSOCIATION (APWA), AND THE DESIGN ENGINEER... 2. CONTRACTOR TO STRICTLY FOLLOW GEOTECHNICAL RECOMMENDATIONS FOR THIS PROJECT... 3. TRAFFIC CONTROL, STRIPING & SIGNAGE TO CONFORM TO CURRENT GOVERNING AGENCIES... 4. ANY AREA OUTSIDE THE LIMIT OF WORK THAT IS DISTURBED SHALL BE RESTORED TO ITS ORIGINAL CONDITION AT NO COST TO OWNER... 5. CONSULT ALL OF THE DRAWINGS AND SPECIFICATIONS FOR COORDINATION REQUIREMENTS BEFORE COMMENCING CONSTRUCTION... 6. AT ALL LOCATIONS WHERE EXISTING PAVEMENT ABUTS NEW CONSTRUCTION, THE EDGE OF THE EXISTING PAVEMENT SHALL BE SAWCUT TO A CLEAN, SMOOTH EDGE... 7. ALL CONSTRUCTION AND MATERIALS SHALL BE IN ACCORDANCE WITH THE MOST RECENT, ADOPTED EDITION OF ADA ACCESSIBILITY GUIDELINES... 8. PRIOR TO STARTING CONSTRUCTION, THE CONTRACTOR SHALL BE RESPONSIBLE FOR MAKING SURE THAT ALL REQUIRED PERMITS AND APPROVALS HAVE BEEN OBTAINED... 9. CONTRACTOR IS RESPONSIBLE FOR SCHEDULING AND NOTIFYING ENGINEER OR INSPECTING AUTHORITY 48 HOURS IN ADVANCE OF COVERING UP ANY PHASE OF CONSTRUCTION REQUIRING OBSERVATION... 10. ANY WORK IN THE PUBLIC RIGHT-OF-WAY WILL REQUIRE PERMITS FROM THE APPROPRIATE CITY, COUNTY OR STATE AGENCY CONTROLLING THE ROAD... 11. ALL DIMENSIONS, GRADES & UTILITY DESIGNS SHOWN ON THE PLANS SHALL BE VERIFIED BY THE CONTRACTOR PRIOR TO CONSTRUCTION... 12. CONTRACTOR MUST VERIFY ALL EXISTING CONDITIONS BEFORE BIDDING AND BRING UP ANY QUESTIONS BEFOREHAND... 13. SITE GRADING SHALL BE PERFORMED IN ACCORDANCE WITH THESE PLANS AND SPECIFICATIONS AND THE RECOMMENDATIONS SET FORTH BY THE GEOTECHNICAL ENGINEER... 14. CATCH SLOPES SHALL BE GRADED AS SPECIFIED ON GRADING PLANS... 15. CONTRACTOR SHALL BE RESPONSIBLE FOR ALL FLAGGING, CAUTION SIGNS, LIGHTS, BARRICADES, FLAGMEN, AND ALL OTHER DEVICES NECESSARY FOR PUBLIC SAFETY... 16. CONTRACTOR SHALL, AT THE TIME OF BIDDING AND THROUGHOUT THE PERIOD OF THE CONTRACT, BE LICENSED IN THE STATE WHERE THE PROJECT IS LOCATED AND SHALL BE BONDABLE FOR AN AMOUNT EQUAL TO OR GREATER THAN THE AMOUNT BID AND TO DO THE TYPE OF WORK CONTEMPLATED IN THE PLANS AND SPECIFICATIONS... 17. CONTRACTOR SHALL INSPECT THE SITE OF THE WORK PRIOR TO BIDDING TO SATISFY HIMSELF BY PERSONAL OR BY SUCH OTHER MEANS AS HE MAY PREFER OF THE LOCATION OF THE PROPOSED WORK AND OF THE ACTUAL CONDITIONS OF AND AT THE SITE OF WORK... 18. CONTRACTOR SHALL BE RESPONSIBLE TO PROVIDE ALL WATER, POWER, SANITARY FACILITIES AND TELEPHONE SERVICES AS REQUIRED FOR THE CONTRACTOR'S USE DURING CONSTRUCTION... 19. CONTRACTOR SHALL BE HELD RESPONSIBLE FOR ANY FIELD CHANGES MADE WITHOUT PRIOR WRITTEN AUTHORIZATION FROM THE OWNER, ENGINEER, AND/OR GOVERNING AGENCIES... 20. CONTRACTOR SHALL EXERCISE DUE CAUTION AND SHALL CAREFULLY PRESERVE BENCH MARKS, CONTROL POINTS, REFERENCE POINTS AND ALL SURVEY STAKES, AND SHALL BEAR ALL EXPENSES FOR REPLACEMENT AND/OR ERRORS CAUSED BY THEIR UNNECESSARY LOSS OR DISTURBANCE... 21. CONTRACTOR SHALL ASSUME SOLE AND COMPLETE RESPONSIBILITY FOR JOBSITE CONDITIONS DURING THE COURSE OF CONSTRUCTION... 22. CONTRACTOR SHALL BE RESPONSIBLE FOR ADEQUATELY SCHEDULING INSPECTION AND TESTING OF ALL FACILITIES CONSTRUCTED UNDER THIS CONTRACT... 23. IF EXISTING IMPROVEMENTS NEED TO BE DISTURBED AND/OR REMOVED FOR THE PROPER PLACEMENT OF IMPROVEMENTS TO BE CONSTRUCTED BY THESE PLANS... 24. WHENEVER EXISTING FACILITIES ARE REMOVED, DAMAGED, BROKEN, OR CUT IN THE INSTALLATION OF THE WORK COVERED BY THESE PLANS OR SPECIFICATIONS... 25. CONTRACTOR SHALL MAINTAIN A NEATLY MARKED SET OF FULL-SIZE AS-BUILT RECORD DRAWINGS SHOWING THE FINAL LOCATION AND LAYOUT OF ALL STRUCTURES AND OTHER FACILITIES... 26. WHERE THE PLANS OR SPECIFICATIONS DESCRIBE PORTIONS OF THE WORK IN GENERAL TERMS BUT NOT IN COMPLETE DETAIL... 27. CONTRACTOR SHALL BE SKILLED AND REGULARLY ENGAGED IN THE GENERAL CLASS AND TYPE OF WORK CALLED FOR IN THE PROJECT PLANS AND SPECIFICATIONS... 28. CONTRACTOR SHALL BE RESPONSIBLE FOR THE REMOVAL OF ALL STRIPING AND/OR PAVEMENT MARKINGS NECESSARY TO THE EXISTING STRIPING INTO FUTURE STRIPING... 29. CONTRACTOR SHALL PROVIDE ALL SHORING, BRACING, SLOPING OR OTHER PROVISIONS NECESSARY TO PROTECT WORKMEN FOR ALL AREAS TO BE EXCAVATED TO A DEPTH OF 4 FEET OR MORE... 30. ALL EXISTING GATES AND FENCES TO REMAIN UNLESS OTHERWISE NOTED ON PLANS...

Utility Notes:

- 1. CONTRACTOR SHALL COORDINATE LOCATION OF NEW "DRY UTILITIES" WITH THE APPROPRIATE UTILITY COMPANY... 2. EXISTING UTILITIES HAVE BEEN SHOWN ON THE PLANS USING A COMBINATION OF ON-SITE SURVEYS... 3. CONTRACTOR SHALL NOTIFY ENGINEER OF ANY CONFLICTS... 4. CARE SHOULD BE TAKEN IN ALL EXCAVATIONS DUE TO POSSIBLE EXISTENCE OF UNRECORDED UTILITY LINES... 5. ALL VALVES AND MANHOLE COVERS SHALL BE RAISED OR LOWERED TO MEET FINISHED GRADE... 6. CONTRACTOR SHALL CUT PIPES OFF FLUSH WITH THE INSIDE WALL OF THE BOX OR MANHOLE... 7. CONTRACTOR SHALL GROUT AT CONNECTION OF PIPE TO BOX WITH NON-SHRINKING GROUT... 8. CONTRACTOR SHALL GROUT WITH NON-SHRINK GROUT BETWEEN GRADE RINGS AND BETWEEN BOTTOM OF INLET LID FRAME AND TOP OF CONCRETE BOX... 9. SILT AND DEBRIS IS TO BE CLEANED OUT OF ALL STORM DRAIN BOXES... 10. CONTRACTOR SHALL CLEAN ASPHALT, TAR OR OTHER ADHESIVES OFF OF ALL MANHOLE LIDS AND INLET GRATINGS TO ALLOW ACCESS... 11. EACH TRENCH SHALL BE EXCAVATED SO THAT THE PIPE CAN BE LAID TO THE ALIGNMENT AND GRADE AS REQUIRED... 12. CONTRACTOR SHALL PROVIDE AND MAINTAIN AT ALL TIMES AMPLE MEANS AND DEVICES WITH WHICH TO REMOVE PROMPTLY AND TO PROPERLY DISPOSE OF ALL WATER ENTERING THE TRENCH EXCAVATION... 13. MAINTAIN A MINIMUM 18" VERTICAL SEPARATION DISTANCE BETWEEN ALL UTILITY CROSSINGS... 14. CONTRACTOR SHALL START INSTALLATION AT LOW POINT OF ALL NEW GRAVITY UTILITY LINES... 15. ALL BOLTED FITTINGS MUST BE GREASED AND WRAPPED... 16. UNLESS SPECIFICALLY NOTICED OTHERWISE, MAINTAIN AT LEAST 2 FEET OF COVER OVER ALL STORM DRAIN LINES AT ALL TIMES... 17. ALL WATER LINES SHALL BE INSTALLED A MINIMUM OF 48" BELOW FINISHED GRADE... 18. ALL SEWER LINES AND SEWER SERVICES SHALL HAVE A MINIMUM SEPARATION OF 10 FEET... 19. CONTRACTOR SHALL INSTALL THRUST BLOCKING AT ALL WATERLINE ANGLE POINTS AND TEES... 20. ALL UNDERGROUND UTILITIES SHALL BE IN PLACE PRIOR TO INSTALLATION OF CURB, GUTTER, SIDEWALK AND STREET PAVING... 21. CONTRACTOR SHALL INSTALL MAGNETIC LOCATING TAPE CONTINUOUSLY OVER ALL NONMETALLIC PIPE.

Erosion Control General Notes:

THE CONTRACTOR TO USE BEST MANAGEMENT PRACTICES FOR PROVIDING EROSION CONTROL FOR CONSTRUCTION OF THIS PROJECT... WORKMANSHIP SHALL CONFORM TO GOVERNING AGENCIES ORDINANCES AND ALL WORK SHALL BE SUBJECT TO INSPECTION BY THE COUNTIES... ALSO, INSPECTORS WILL HAVE THE RIGHT TO CHANGE THE FACILITIES AS NEEDED.

CONTRACTOR SHALL KEEP THE SITE WATERED TO CONTROL DUST... CONTRACTOR TO LOCATE A NEARBY HYDRANT FOR USE AND TO INSTALL TEMPORARY METER... CONSTRUCTION WATER COST TO BE INCLUDED IN BID.

WHEN GRADING OPERATIONS ARE COMPLETED AND THE DISTURBED GROUND IS LEFT OPEN FOR 14 DAYS OR MORE, THE AREA SHALL BE FURROWED PARALLEL TO THE CONTOURS.

THE CONTRACTOR SHALL MODIFY EROSION CONTROL MEASURES TO ACCOMMODATE PROJECT PLANNING.

ALL ACCESS TO PROPERTY WILL BE FROM PUBLIC RIGHT-OF-WAYS... THE CONTRACTOR IS REQUIRED BY STATE AND FEDERAL REGULATIONS TO PREPARE A STORM WATER POLLUTION PREVENTION PLAN AND FILE A "NOTICE OF INTENT" WITH THE GOVERNING AGENCIES.

Maintenance:

ALL BEST MANAGEMENT PRACTICES (BMP'S) SHOWN ON THIS PLAN MUST BE MAINTAINED AT ALL TIMES UNTIL PROJECT CLOSE-OUT.

THE CONTRACTOR'S RESPONSIBILITY SHALL INCLUDE MAKING BI-WEEKLY CHECKS ON ALL EROSION CONTROL MEASURES TO DETERMINE IF REPAIR OR SEDIMENT REMOVAL IS NECESSARY... CHECKS SHALL BE DOCUMENTED AND COPIES OF THE INSPECTIONS KEPT ON SITE.

SEDIMENT DEPOSITS SHOULD BE REMOVED AFTER EACH RAINFALL... THEY MUST BE REMOVED WHEN THE LEVEL OF DEPOSITION REACHES APPROXIMATELY ONE-HALF THE HEIGHT OF BARRIER.

SEDIMENT TRACKED ONTO PAVED ROADS MUST BE CLEANED UP AS SOON AS PRACTICAL, BUT IN NO CASE LATER THAN THE END OF THE NORMAL WORK DAY... THE CLEAN UP WILL INCLUDE SWEEPING OF THE TRACKED MATERIAL, PICKING IT UP, AND DEPOSITING IT TO A CONTAINED AREA.

EXPOSED SLOPES:

- ANY EXPOSED SLOPE THAT WILL REMAIN UNTOUCHED FOR LONGER THAN 14 DAYS MUST BE STABILIZED BY ONE OR MORE OF THE FOLLOWING METHODS:
A) SPRAYING DISTURBED AREAS WITH A TACKIFIER VIA HYDROSEED
B) TRACKING STRAW PERPENDICULAR TO SLOPES
C) INSTALLING A LIGHT-WEIGHT, TEMPORARY EROSION CONTROL BLANKET

Notice to Contractor:

THE CONTRACTOR IS SPECIFICALLY CAUTIONED THAT THE LOCATION AND/OR ELEVATION OF EXISTING UNDERGROUND UTILITIES AS SHOWN ON THESE PLANS ARE BASED UPON RECORDS OF THE VARIOUS UTILITY COMPANIES AND/OR MUNICIPALITIES AND, WHERE POSSIBLE, MEASUREMENTS TAKEN IN THE FIELD... THE CONTRACTOR SHALL BE RESPONSIBLE TO RELOCATE ALL EXISTING UTILITIES WHICH CONFLICT WITH THE PROPOSED IMPROVEMENTS SHOWN ON THESE PLANS.

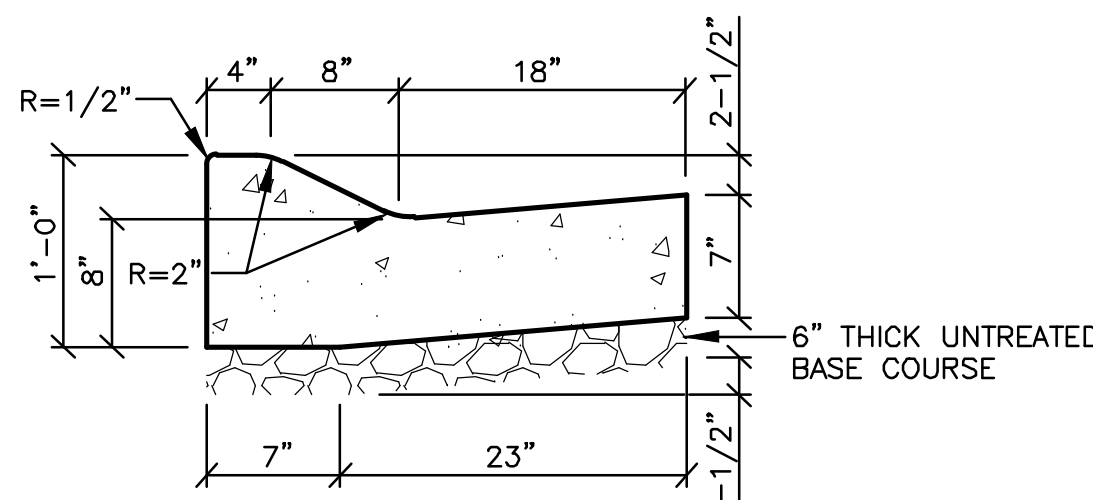
THE CONTRACTOR AGREES THAT THEY SHALL ASSUME SOLE AND COMPLETE RESPONSIBILITY FOR JOB SITE CONDITIONS DURING THE COURSE OF CONSTRUCTION OF THIS PROJECT, INCLUDING SAFETY OF ALL PERSONS AND PROPERTY... THE CONTRACTOR SHALL DEFEND, INDEMNIFY, AND HOLD THE OWNER AND THE ENGINEER HARMLESS FROM ANY AND ALL LIABILITY, REAL OR ALLEGED, IN CONNECTION WITH THE PERFORMANCE OF WORK ON THIS PROJECT.

Survey Control Note:

THE CONTRACTOR OR SURVEYOR SHALL BE RESPONSIBLE FOR FOLLOWING THE NATIONAL SOCIETY OF PROFESSIONAL SURVEYORS (NSPS) MODEL STANDARDS FOR ANY SURVEYING OR CONSTRUCTION LAYOUT TO BE COMPLETED USING REEVE & ASSOCIATES, INC. SURVEY DATA OR CONSTRUCTION IMPROVEMENT PLANS... PRIOR TO PROCEEDING WITH CONSTRUCTION STAKING, THE SURVEYOR SHALL BE RESPONSIBLE FOR VERIFYING HORIZONTAL CONTROL FROM THE SURVEY MONUMENTS AND FOR VERIFYING ANY ADDITIONAL CONTROL POINTS SHOWN ON AN ALTA SURVEY, IMPROVEMENT PLAN, OR ANY ELECTRONIC DATA PROVIDED... THE SURVEYOR SHALL ALSO USE THE BENCHMARKS AS SHOWN ON THE PLAN, AND VERIFY THEM AGAINST NO LESS THAN FIVE (5) EXISTING HARD IMPROVEMENT ELEVATIONS INCLUDED ON THESE PLANS OR ON ELECTRONIC DATA PROVIDED... IF ANY DISCREPANCIES ARE ENCOUNTERED, THE SURVEYOR SHALL IMMEDIATELY NOTIFY REEVE & ASSOCIATES, INC. AND RESOLVE THE DISCREPANCIES BEFORE PROCEEDING WITH ANY CONSTRUCTION STAKING.

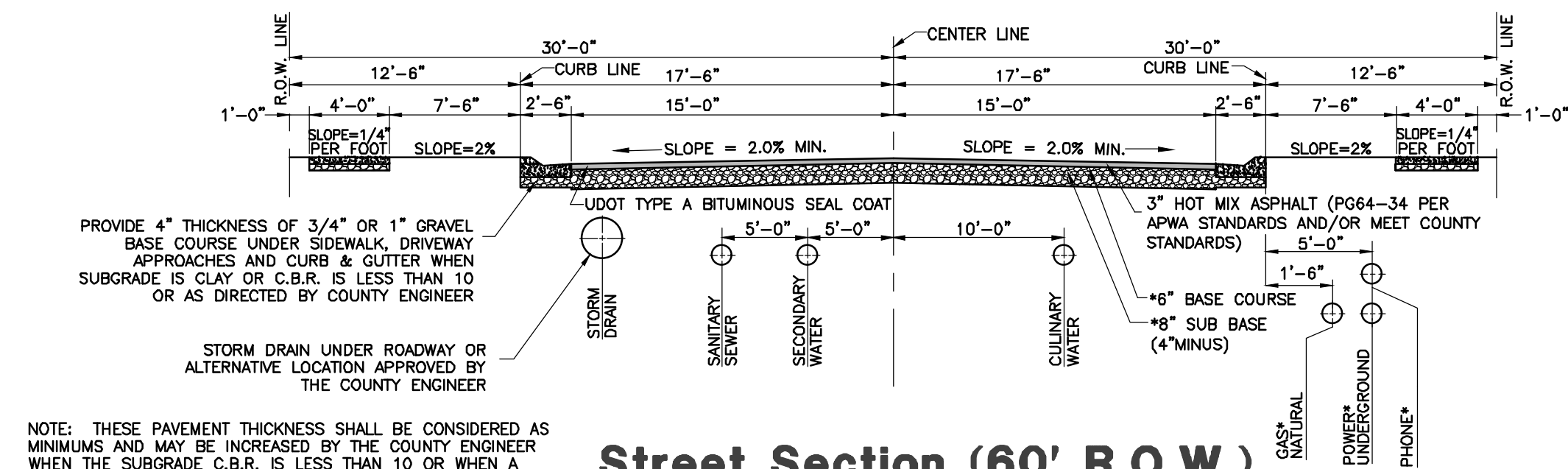
Legend

Table mapping symbols to utility types and materials. Symbols include lines for water/sewer lines, circles for manholes, squares for catch basins, and various shaded areas for pavement and concrete. Text labels include: PROPOSED CULINARY WATER LINE, EXISTING CULINARY WATER LINE, PROPOSED SANITARY SEWER LINE, EXISTING SANITARY SEWER LINE, PROPOSED STORM DRAIN LINE, EXISTING STORM DRAIN LINE, FENCE LINE, PROPOSED FIRE HYDRANT, EXISTING FIRE HYDRANT, PROPOSED MANHOLE, EXISTING MANHOLE, PROPOSED SEWER CLEAN-OUT, PROPOSED GATE VALVE, EXISTING GATE VALVE, PROPOSED WATER METER, EXISTING WATER METER, PROPOSED CATCH BASIN, EXISTING CATCH BASIN, PLUG W/ 2' BLOW-OFF, PLUG & BLOCK, STREET LIGHT, SIGN, BUILDING, CURB & GUTTER, CATCH BASIN, CUBIC FEET, CUBIC FEET PER SECOND, FENCE CORNER, FINISH FLOOR, FINISH FLOOR ELEVATION, FINISHED GRADE, FIRE HYDRANT, FLOW LINE, GRADE BREAK, INVERT, LINEAR FEET, NATURAL GRADE, POWER/UTILITY POLE, POWER TRANSFORMER BOX, PUBLIC UTILITY EASEMENT, REINFORCED CONCRETE PIPE, RIM OF MANHOLE, RIGHT-OF-WAY, STORM DRAIN, SANITARY SEWER, TOP BACK OF CURB, TOP OF ASPHALT, TOP OF CONCRETE, TOP OF FINISHED FLOOR, TOP OF PUMP ISLAND, TOP OF SIDEWALK, CULINARY WATER, WATER METER, EXISTING ASPHALT PAVEMENT, PROPOSED ASPHALT PAVEMENT, PROPOSED CONCRETE.



Mountable Curb & Gutter

SCALE: NONE



NOTE: THESE PAVEMENT THICKNESS SHALL BE CONSIDERED AS MINIMUMS AND MAY BE INCREASED BY THE COUNTY ENGINEER WHEN THE SUBGRADE C.B.R. IS LESS THAN 10 OR WHEN A GREATER DEPTH IS NECESSARY TO PROVIDE SUFFICIENT STABILITY... DEVELOPER MAY SUBMIT AN ALTERNATIVE PAVEMENT DESIGN BASED ON A SOILS ANALYSIS FOR APPROVAL BY THE COUNTY ENGINEER... COMPACTNESS TESTS ON BOTH SUB-BASE AND BASE COURSES WILL BE REQUIRED.

Street Section (60' R.O.W.)

SCALE: NONE

*VERIFY LOCATION WITH PHONE, GAS AND POWER COMPANIES.

Reeve & Associates, Inc. logo and contact information: 5160 SOUTH 1500 WEST, RIVERDALE, UTAH 84405. TEL: (801) 681-1100 FAX: (801) 671-2666 www.reeve-associates.com. LAND PLANNERS • CIVIL ENGINEERS • LAND SURVEYORS • WATER ENGINEERS • STRUCTURAL ENGINEERS • LANDSCAPE ARCHITECTS

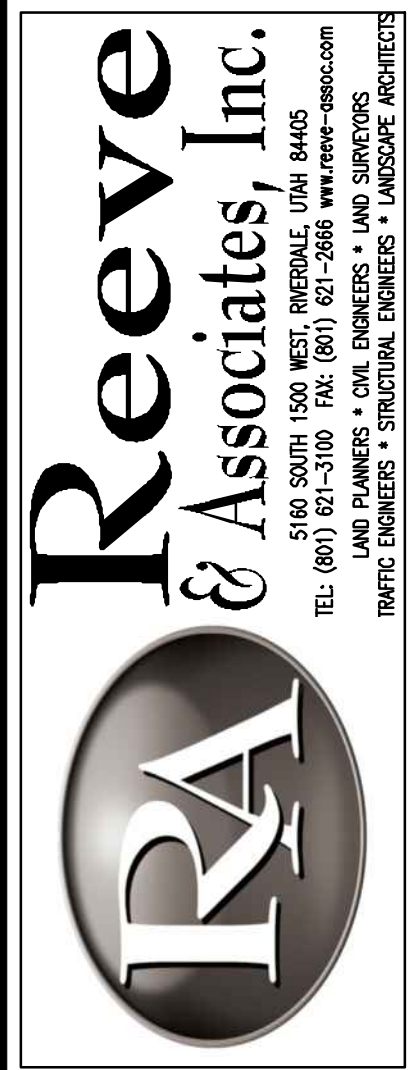
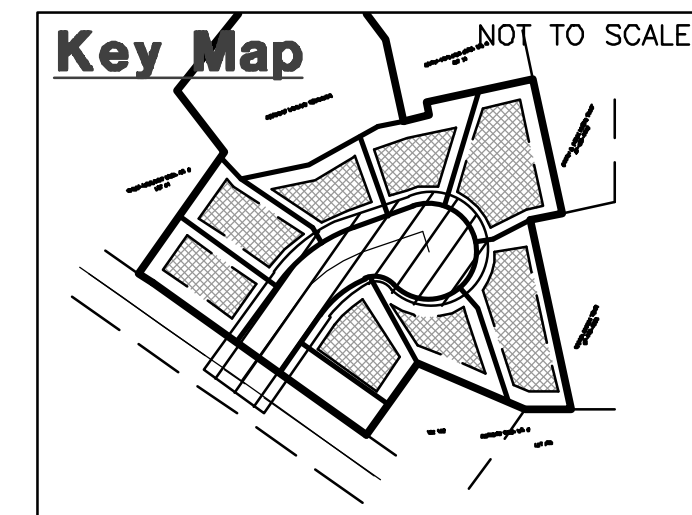
Revisions table with columns for DATE, DESCRIPTION, and SW Location. Revisions listed for 02-28-19, 03-11-19, and 04-09-19.

Utah View Estates notes/legend/street cross-section. Address: 606EN CITY, WEBER COUNTY, UTAH. Notes/Legend/Street Cross-Section.

Professional Engineer seal for Thomas J. Hunt, State of Utah, License No. 1064608.

Project info: Engineer: THOMAS J. HUNT, P.E.; Drafter: C. KINGSLEY; Begin Date: DECEMBER 2018; Name: UTAH VIEW ESTATES; Number: 7075-01

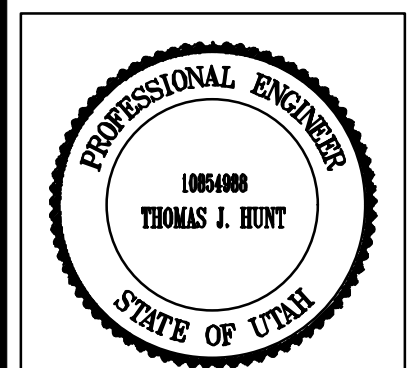
Sheet information table: Sheet 2 of 8, 8 Sheets.



REVISIONS	DESCRIPTION
02-28-19	CK SW Location
03-11-19	CK County Review
04-09-19	CK County Review

Uintah View Estates
 OGDEN CITY, WEBER COUNTY, UTAH

Street A
4+50.00 - 8+50.00



Project Info.
 Engineer: THOMAS J. HUNT, P.E.
 Drafter: C. KINGSLEY
 Begin Date: DECEMBER 2018
 Name: UINTAH VIEW ESTATES
 Number: 7075-01

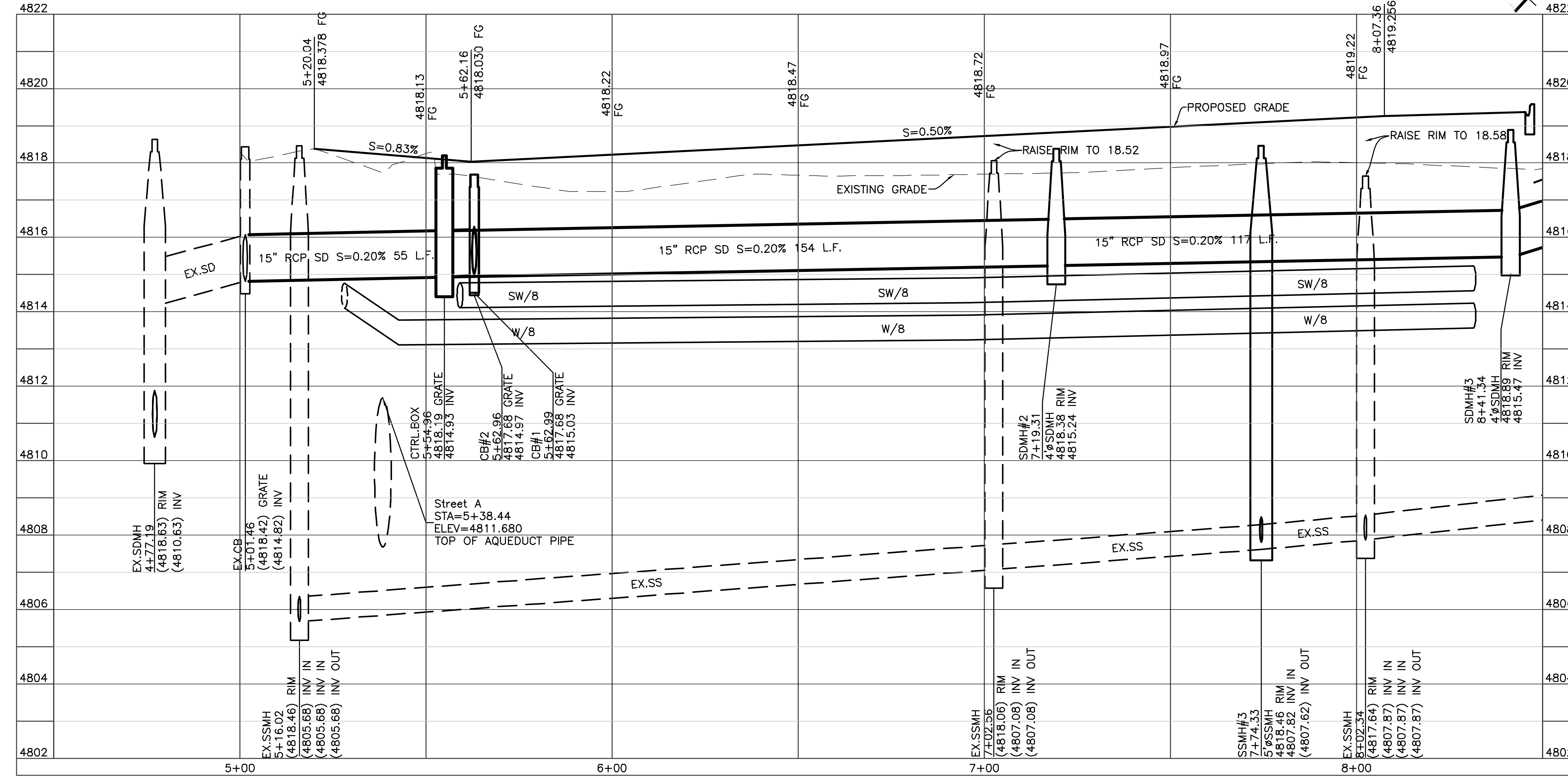
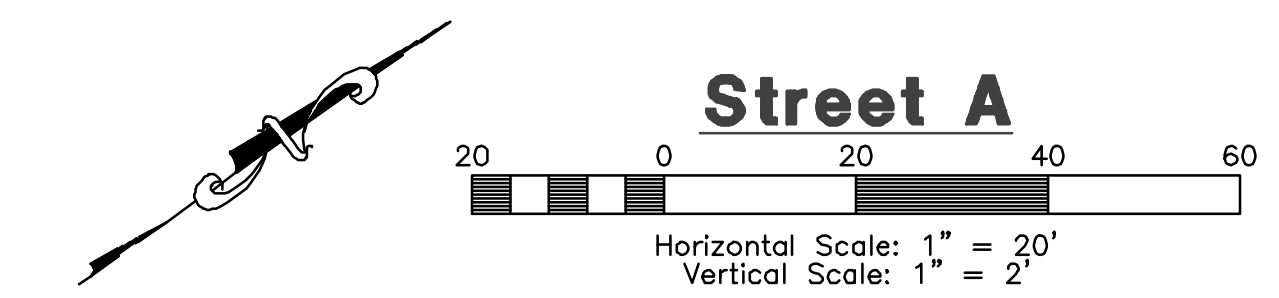
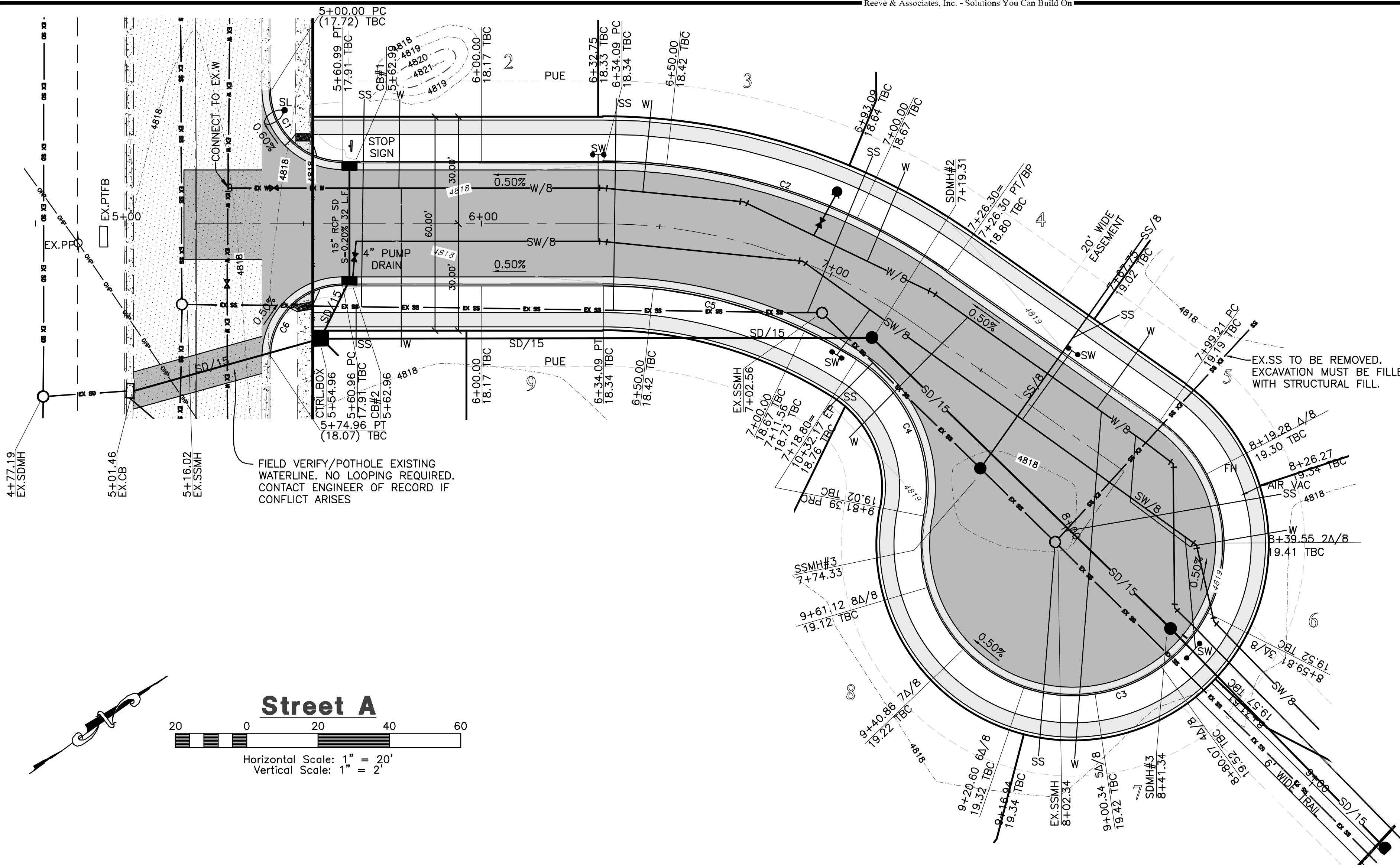
Sheet **8**
 3 Sheets

Construction Notes:

- ALL CONSTRUCTION IS TO CONFORM TO THE STANDARD DRAWINGS AND SPECIFICATIONS OF WEBER COUNTY.
 - CONSTRUCT HANDICAP RAMP PER ADA AND CITY REQUIREMENTS. USE GRAY COLORED ADA TRUNCATED DOMES.
- CULINARY WATER**
 W/8 - 8" PVC C-900 DR14 WATER
 W LAT - 1" K-TYPE COPPER, 1" METER
- SANITARY SEWER**
 SS/8 - 8" PVC SDR-35 SEWER LINE
 SS LAT - 4" PVC ASTM D-3034 SDR35
- STORM DRAIN**
 SD/15 - 15" RCP STORM DRAIN
- SECONDARY WATER**
 SW/8 - 8" SCH40 PVC PER ASTM D-2241
 SECONDARY WATER LINE
 SW LAT - 3/4" SCH40 PVC

TBC Curve Data

#	Delta	Radius	Length	Tangent	Chord	CH Length
C1	89°56'43"	20.00'	31.40'	19.98'	N80°16'43"E	28.27'
C2	35°13'12"	167.50'	102.96'	53.17'	S52°54'59"W	4819.87'
C3	149°32'57"	42.50'	110.93'	156.15'	N61°21'10"E	82.02'
C4	68°28'00"	42.50'	50.79'	28.92'	N78°06'22"W	47.82'
C5	32°21'15"	132.50'	74.82'	38.44'	S51°29'00"W	4819.33'
C6	89°56'44"	20.00'	31.40'	19.98'	S9°40'00"E	28.27'



STAGE STORAGE TABLE						
ELEV	AREA (sq. ft.)	DEPTH (ft)	AVG END INC. VOL. (cu. ft.)	AVG END TOTAL VOL. (cu. ft.)	CONIC INC. VOL. (cu. ft.)	CONIC TOTAL VOL. (cu. ft.)
4,814.940	0.60	N/A	N/A	0.00	N/A	0.00
4,815.000	30.04	0.060	0.92	0.92	0.70	0.70
4,816.000	3,676.12	1.000	1853.08	1854.00	1346.16	1346.85
4,817.000	4,626.43	1.000	4151.27	6005.27	4142.18	5489.03
4,817.680	4,775.97	0.680	3196.82	9202.09	3196.68	8685.71
4,818.000	5,299.75	0.320	1612.12	10814.20	1611.39	10297.10

HIGH WATER ELEVATION
BASIN VOLUME

Storm Runoff Calculations

Jeremy Jaggi Project
11/28/2018

The following runoff calculations are based on the Rainfall - Intensity - Duration Frequency Curve for the Harrisville, UT area taken from the NOAA Atlas 14 database, using a 100 year storm for detention. Storm water runoff has been calculated for a fully developed site.

The calculations are as follows:

Drainage Area:
Total Area = 2.82 acre or 122,711 ft²

Runoff Coefficients

Paved Area	30,757	C = 0.9
Landscaped Area	64,954	C = 0.2
Roof	27,000	C = 0.9

Weighted Runoff Coefficient C = 0.53

Time of Concentration:
Using Storm Water Run-Off "Overland Flow Time"
Tc from Project Site = 30 minutes

Volume of Run-off for 100-year Storm Event:
C = 0.53
I = See Below in/hr
A = 122,711.01 ft²
Q(out) = 0.28 ft³/s (Storm sewer max. flow rate of 0.1 cfs)

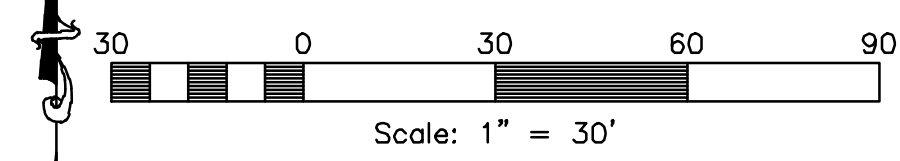
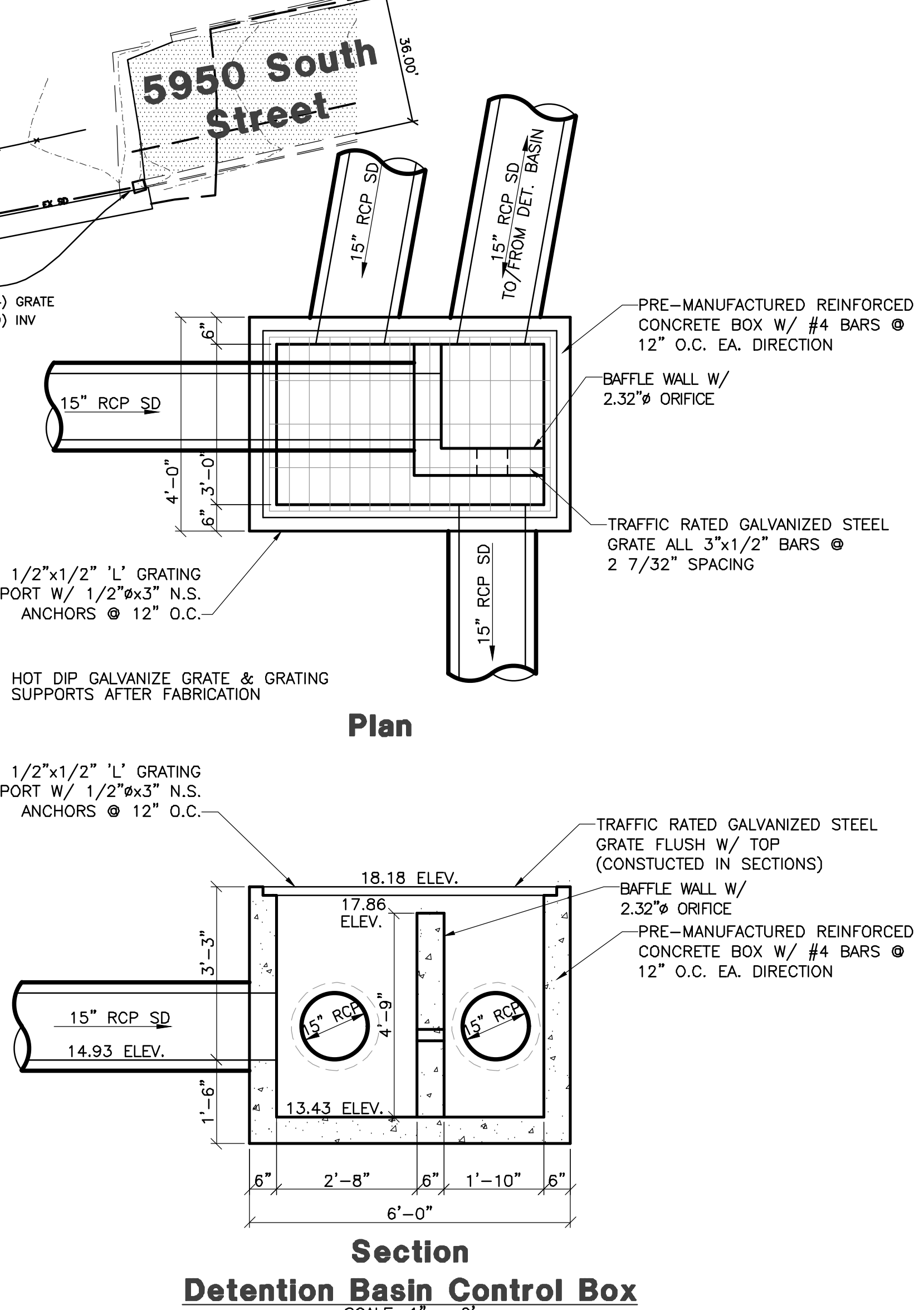
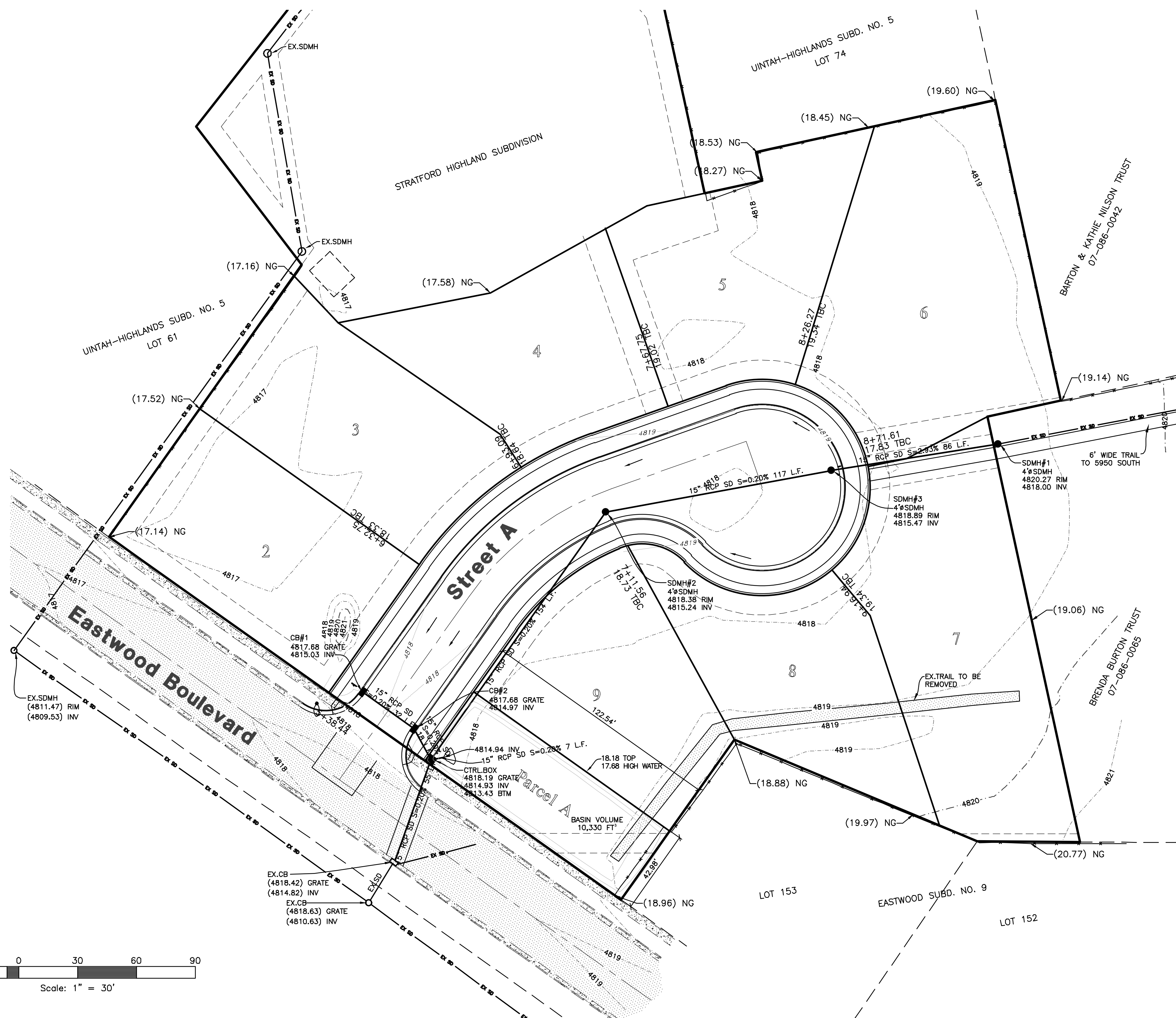
time (min)	time (sec)	i (in/hr.)	Q (cfs)	Vol. in (cf)	Vol. out (cf)	Difference (cf)
0	0	0.00	0.00	0.00	0.00	0.00
5	300	7.39	11.02	3306.76	84.51	3222.25
10	600	5.63	8.40	5038.45	169.02	4869.42
15	900	4.65	6.94	6242.12	253.54	5988.59
30	1800	3.13	4.67	8403.37	507.07	7896.30
60	3600	1.94	2.89	10416.96	1014.14	9402.82
120	7200	1.13	1.69	12135.23	2028.28	10106.94
180	10800	0.78	1.16	12484.25	3042.42	9441.83
360	21600	0.44	0.65	14014.57	6084.84	7929.73
720	43200	0.27	0.41	17590.71	12169.69	5421.02
1440	86400	0.16	0.24	20361.40	24339.37	-3977.97

Total Required Detention Volume 10,107 ft³

Orifice Sizing
Given: Q = 0.28 cfs
2g = 64.4 ft/s²
H = 3.75 ft
Cd = 0.62
R = SQRT(Q/pi)/(0.7*(64.4*H)^0.5)) for circular openings

R = 0.10 feet
1.16 inches
D = 2.32 inches
A = 4.21 inches *2

SUMMARY:
The required storage volume is 10,107 cubic feet
Orifice size is 2.32 inches



Reeve & Associates, Inc.
5160 SOUTH 1500 WEST, RIVERDALE, UTAH 84405
TEL: (801) 851-1000 FAX: (801) 851-2666 www.reeve-associates.com
LAND PLANNERS • CIVIL ENGINEERS • LAND SURVEYORS
TRAFFIC ENGINEERS • STRUCTURAL ENGINEERS • LANDSCAPE ARCHITECTS

IRA

REVISIONS

DATE	DESCRIPTION
02-28-19	CK SW Location
03-11-19	CK County Review
04-09-19	CK County Review

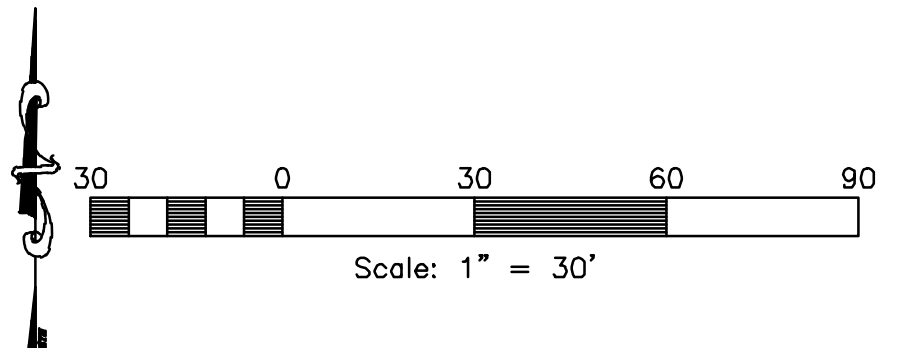
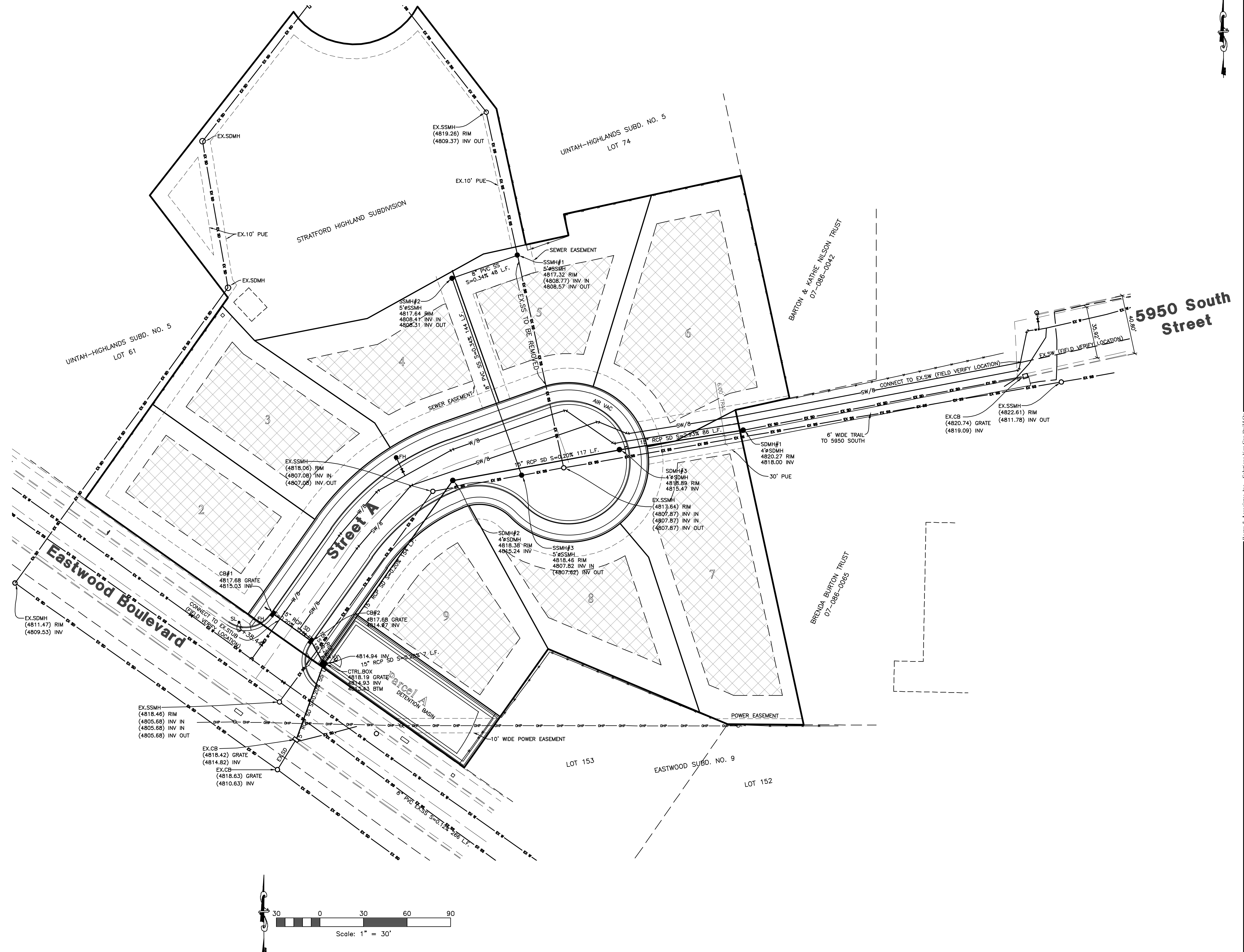
Utah View Estates
CODDEN CITY, WEBER COUNTY, UTAH

Grading & Drainage Plan

PROFESSIONAL ENGINEER
108498
THOMAS J. HUNT
STATE OF UTAH

Project Info.
Engineer: THOMAS J. HUNT, P.E.
Drafted: C. KINGSLEY
Begin Date: DECEMBER 2018
Name: UINTAH VIEW ESTATES
Number: 7075-01

Sheet **8**
4 Sheets

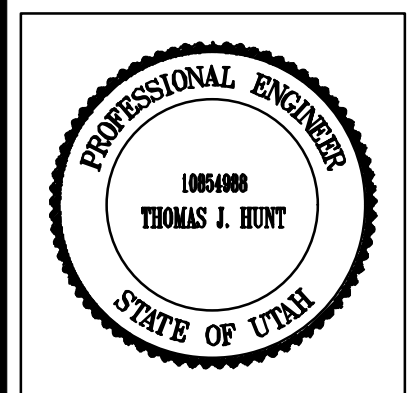


Reeve & Associates, Inc.
 5160 SOUTH 1500 WEST RIVERDALE, UTAH 84405
 TEL: (801) 621-3100 FAX: (801) 621-2666 WWW.REEVE-ASSOCIATES.COM
 LAND PLANNERS • CIVIL ENGINEERS • LAND SURVEYORS
 PAVING ENGINEERS • STRUCTURAL ENGINEERS • LANDSCAPE ARCHITECTS

REVISIONS	DATE	DESCRIPTION
	02-28-19	CK SW Location
	03-11-19	CK County Review
	04-09-19	CK County Review

Utah View Estates
 OGDEN CITY, WEBER COUNTY, UTAH

Utility Plan



Project Info.

Engineer:	THOMAS J. HUNT, P.E.
Drafter:	C. KINGSLEY
Begin Date:	DECEMBER 2018
Name:	UINTAH VIEW ESTATES
Number:	7075-01

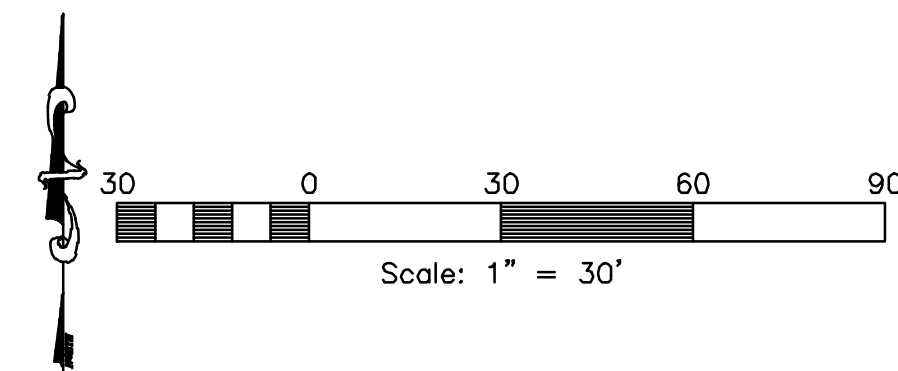
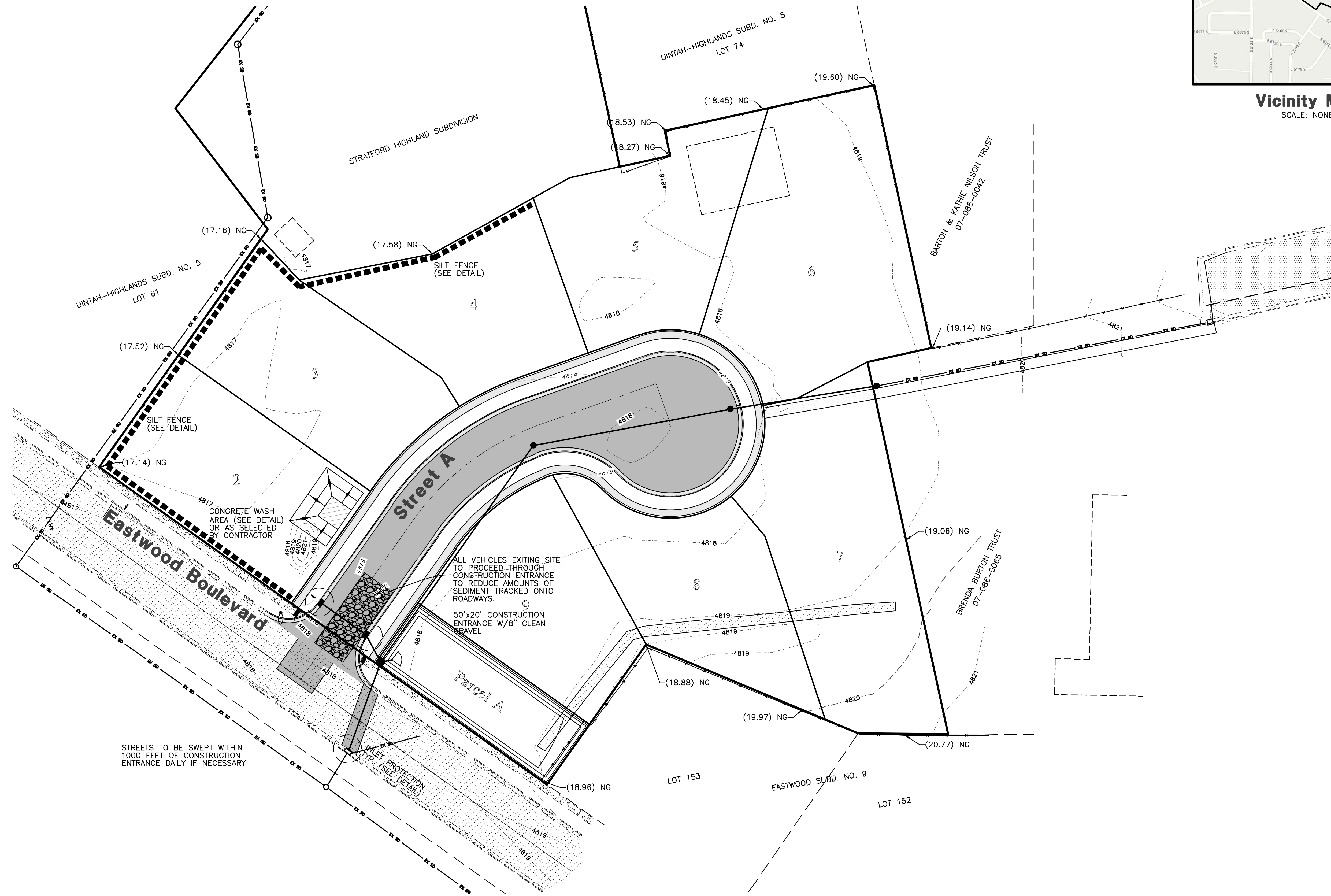
Sheet	8
5	Sheets

Uintah View Estates Improvement Plans

OGDEN CITY, WEBER COUNTY, UTAH
DECEMBER 2018



Vicinity Map
SCALE: NONE

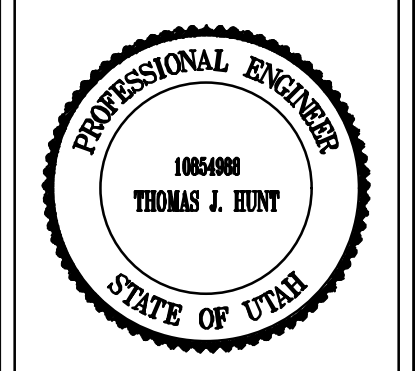


Reeve & Associates, Inc.
 5160 SOUTH 1500 WEST, RIVERDALE, UTAH 84405
 TEL: (801) 851-1000 FAX: (801) 851-2666 www.reeve-associates.com
 LAND PLANNERS • CIVIL ENGINEERS • LAND SURVEYORS
 TRAFFIC ENGINEERS • STRUCTURAL ENGINEERS • LANDSCAPE ARCHITECTS

REVISIONS	DATE	DESCRIPTION
02-28-19	CK	SW Location
03-11-19	CK	County Review
04-09-19	CK	County Review

Uintah View Estates
 OGDEN CITY, WEBER COUNTY, UTAH

Storm Water Pollution Prevention Plan Exhibit



Project Info.

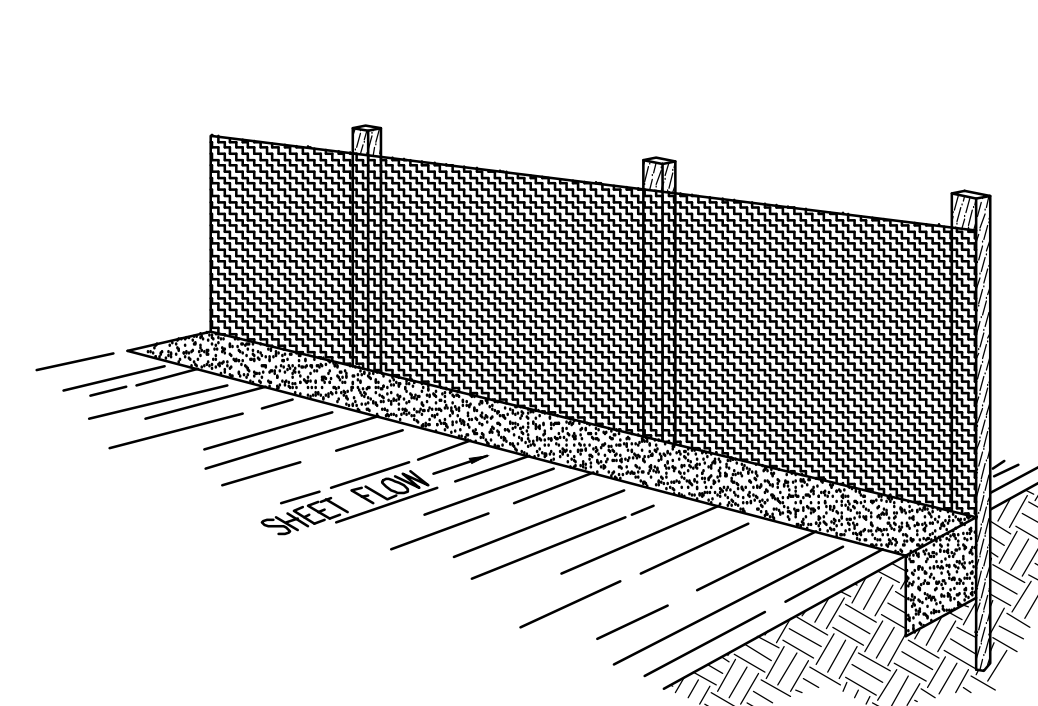
Engineer:	THOMAS J. HUNT, P.E.
Drafter:	C. KINGSLEY
Begin Date:	DECEMBER 2018
Name:	UINTAH VIEW ESTATES
Number:	7075-01

Construction Activity Schedule

- PROJECT LOCATION.....	OGDEN CITY, WEBER COUNTY, UTAH
- PROJECT BEGINNING DATE.....	DECEMBER 2018
- BMP'S DEPLOYMENT DATE.....	DECEMBER 2018
- STORM WATER MANAGEMENT CONTACT / INSPECTOR.....	JEREMY JAGGI (805) 559-0197
- SPECIFIC CONSTRUCTION SCHEDULE INCLUDING BMP CONSTRUCTION SCHEDULE TO BE INCLUDED WITH SWPPP BY OWNER/DEVELOPER	

Notes:

- Describe all BMP's to protect storm water inlets:
All storm water inlets to be protected by straw wattle barriers, or gravel bags (see detail).
- Describe BMP's to eliminate/reduce contamination of storm water from:
 - Equipment / building / concrete wash areas:
To be performed in designated areas only and surrounded with silt fence barriers.
 - Soil contaminated by soil amendments:
If any contaminants are found or generated, contact environmental engineer and contacts listed.
 - Areas of contaminated soil:
If any contaminants are found or generated, contact environmental engineer and contacts listed.
 - Fueling area:
To be performed in designated areas only and surrounded with silt fence.
 - Vehicle maintenance areas:
To be performed in designated areas only and surrounded with silt fence.
 - Vehicle parking areas:
To be performed in designated areas only and surrounded with silt fence.
 - Equipment storage areas:
To be performed in designated areas only and surrounded with silt fence.
 - Materials storage areas:
To be performed in designated areas only and surrounded with silt fence.
 - Waste containment areas:
To be performed in designated areas only and surrounded with silt fence.
 - Service areas:
To be performed in designated areas only and surrounded with silt fence.
- BMP's for wind erosion:
Stockpiles and site as needed to be watered regularly to eliminate / control wind erosion
- Construction Vehicles and Equipment:
 - Maintenance
 - Maintain all construction equipment to prevent oil or other fluid leaks.
 - Keep vehicles and equipment clean, prevent excessive build-up of oil and grease.
 - Regularly inspect on-site vehicles and equipment for leaks, and repair immediately.
 - Check incoming vehicles and equipment (including delivery trucks, and employee and subcontractor vehicles) for leaking oil and fluids. Do not allow leaking vehicles or equipment on-site.
 - Segregate and recycle wastes, such as greases, used oil or oil filters, antifreeze, cleaning solutions, automotive batteries, hydraulic, and transmission fluids.
 - Fueling
 - If fueling must occur on-site, use designated areas away from drainage.
 - Locate on-site fuel storage tanks within a bermed area designed to hold the tank volume.
 - Cover retention area with an impervious material and install in a manner to ensure that any spills will be contained in the retention area. To catch spills or leaks when removing or changing fluids.
 - Use drip pans for any oil or fluid changes.
 - Washing
 - Use as little water as possible to avoid installing erosion and sediment controls for the wash area.
 - If washing must occur on-site, use designated, bermed wash areas to prevent waste water discharge into storm water, creeks, rivers, and other water bodies.
 - Use phosphate-free, biodegradable soaps.
 - Do not permit steam cleaning on-site.
- Spill Prevention and Control
 - Minor Spills:
Minor spills are those which are likely to be controlled by on-site personnel. After contacting local emergency response agencies, the following actions should occur upon discovery of a minor spill:
 - Contain the spread of the spill.
 - If the spill occurs on paved or impermeable surfaces, clean up using "dry" methods (i.e. absorbent materials, cat litter, and / or rags).
 - If the spill occurs in dirt areas, immediately contain the spill by constructing an earth dike. Dig up and properly dispose of contaminated soil.
 - If the spill occurs during rain, cover the impacted area to avoid runoff.
 - Record all steps taken to report and contain spill.
 - Major Spills:
On-site personnel should not attempt to control major spills until the appropriate and qualified emergency response staff have arrived at the site. For spills of federal reportable quantities, also notify the National Response Center at (800) 424-8802. A written report should be sent to all notified authorities. Failure to report major spills can result in significant fines and penalties.
- Post Roadway / Utility Construction
 - Maintain good housekeeping practices.
 - Enclose or cover building material storage areas.
 - Properly store materials such as paints and solvents.
 - Store dry and wet materials under cover, away from drainage areas.
 - Avoid mixing excess amounts of fresh concrete or cement on-site.
 - Perform washout of concrete trucks offsite or in designated areas only.
 - Do not wash out concrete trucks into storm drains, open ditches, streets or streams.
 - Do not place material or debris into streams, gutters or catch basins that stop or reduce the flow of runoff water.
 - All public streets and storm drain facilities shall be maintained free of building materials, mud and debris caused by grading or construction operations. Roads will be swept within 1000' of construction entrance daily, if necessary.
 - Install straw wattle around all inlets contained within the development and all others that receive runoff from the development.
- Erosion Control Plan Notes
 - The contractor will designate an emergency contact that can be reached 24 hours a day 7 days a week.
 - A stand-by crew for emergency work shall be available at all times during potential rain or snow runoff events. Necessary materials shall be available on site and stockpiled at convenient locations to facilitate rapid construction of emergency devices when rain or runoff is eminent.
 - Erosion control devices shown on the plans and approved for the project may not be removed without approval of the engineer of record. If devices are removed, no work may continue that have the potential of erosion without consulting the engineer of record. If deemed necessary erosion control should be reestablished before this work begins.
 - Graded areas adjacent to fill slopes located at the site perimeter must drain away from the top of the slope at the conclusion of each working day. This should be confirmed by survey or other means acceptable to the engineer of record.
 - All silt and debris shall be removed from all devices within 24 hours after each rain or runoff event.
 - Except as otherwise approved by the inspector, all removable protective devices shown shall be in place at the end of each working day and through weekends until removal of the system is approved.
 - All loose soil and debris, which may create a potential hazard to offsite property, shall be removed from the site as directed by the engineer of record of the governing agency.
 - The placement of additional devices to reduce erosion damage within the site is left to the discretion of the engineer of record.
 - Desilting basins may not be removed or made inoperable without the approval of the engineer of record and the governing agency.
 - Erosion control devices will be modified as need as the project progresses and plans of these changes submitted for approval by the engineer of record and the governing agency.
- Conduct a minimum of one inspection of the erosion and sediment controls every two weeks. Maintain documentation on site.
 - Part III.D.4 of general permit UTR300000 identifies the minimum inspection requirements.
 - Part II.D.4.C identifies the minimum inspection report requirements.
 - Failure to complete and/or document storm water inspections is a violation of part III.D.4 of Utah General Permit UTR 300000.



Perspective View

Figure 2

INSTALLATION

The silt fence should be installed prior to major soil disturbances in the drainage area. The fence should be placed across the slope along a line of uniform elevation wherever flow of sediment is anticipated. Table 1 shows generally-recommended maximum slope lengths (slope spacing between fences) at various site grades for most silt fence applications.

Slope Steepness (%)	Max. Slope Length (m)	Max. Slope Length (ft)
<2%	30.5m (100ft)	
2-5%	22.9m (75ft)	
5-10%	15.2m (50ft)	
10-20%	7.6m (25ft)	
>20%	4.5m (15ft)	

PREFABRICATED SILT FENCE ROLLS

- Excavate a minimum 15.2cm x 15.2cm (6"x6") trench at the desired location.
- Unroll the silt fence, positioning the post against the downstream wall of the trench.
- Adjacent rolls of silt fence should be joined by nesting the end post of one fence into the other. Before nesting the end posts, rotate each post until the geotextile is wrapped completely around the post, then about the end posts to create a tight seal as shown in Figure 1.
- Drive posts into the ground until the required fence height and/or anchorage depth is obtained.
- Bury the loose geotextile at the bottom of the fence in the upstream trench and backfill with natural soil, tamping the backfill to provide good compaction and anchorage. Figure 2 illustrates a typical silt fence installation and anchor trench placement.

should generally be less than three (3) times the height of the fence.

- If a steel or plastic mesh is required to reinforce the geotextile, it shall have a minimum mesh opening of 15.2cm (6").
- Fasten the mesh to the upslope side of the posts using heavy duty wire staples, tie wires or hog strings. Extend the mesh into the bottom of the trench.
- The geotextile shall then be stapled or wired to the posts. An extra 20-50cm (8-20") of geotextile shall extend into the trench.

INSPECTION

- Inspect the silt fence daily during periods of rainfall, immediately after significant rainfall event and weekly during periods of no rainfall. Make any repairs immediately.
- When sediment deposits behind the silt fence are one-third of the fence height, remove and properly dispose of the silt accumulations. Avoid damage to the fabric during cleanout.

REMOVAL

- Silt fence should not be removed until construction ceases and the upslope area has been properly stabilized and/or revegetated.

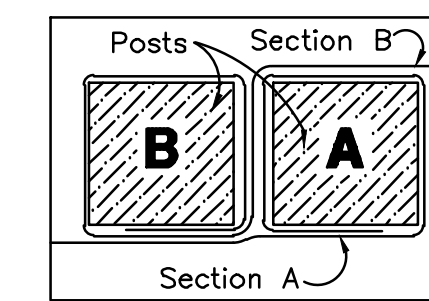
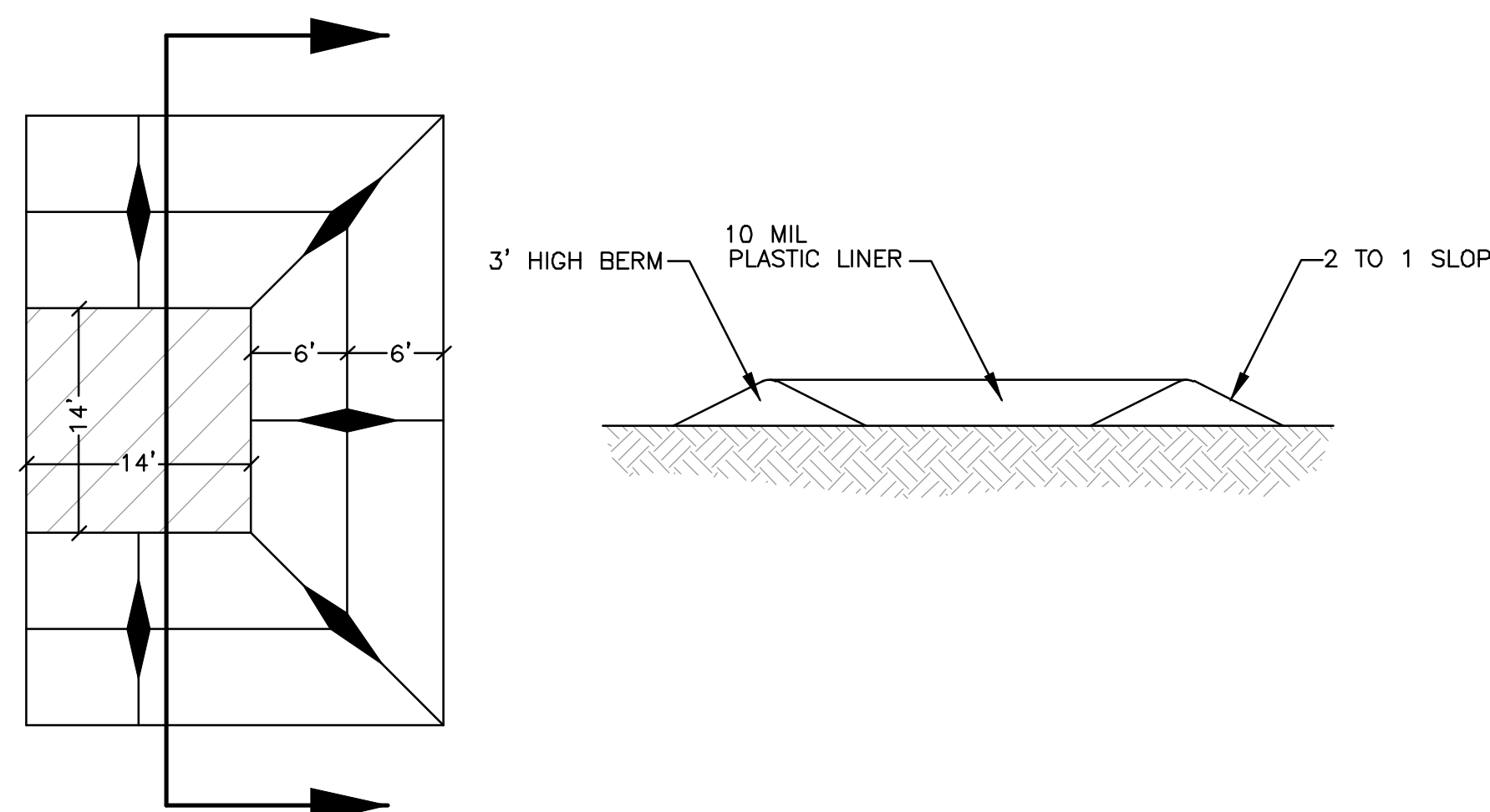


Figure 1: Top View of Roll-to-Roll Connection

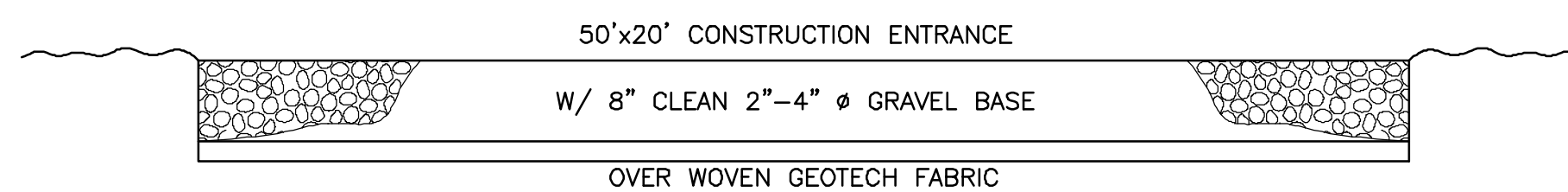
Silt Fence Detail

SCALE: NONE

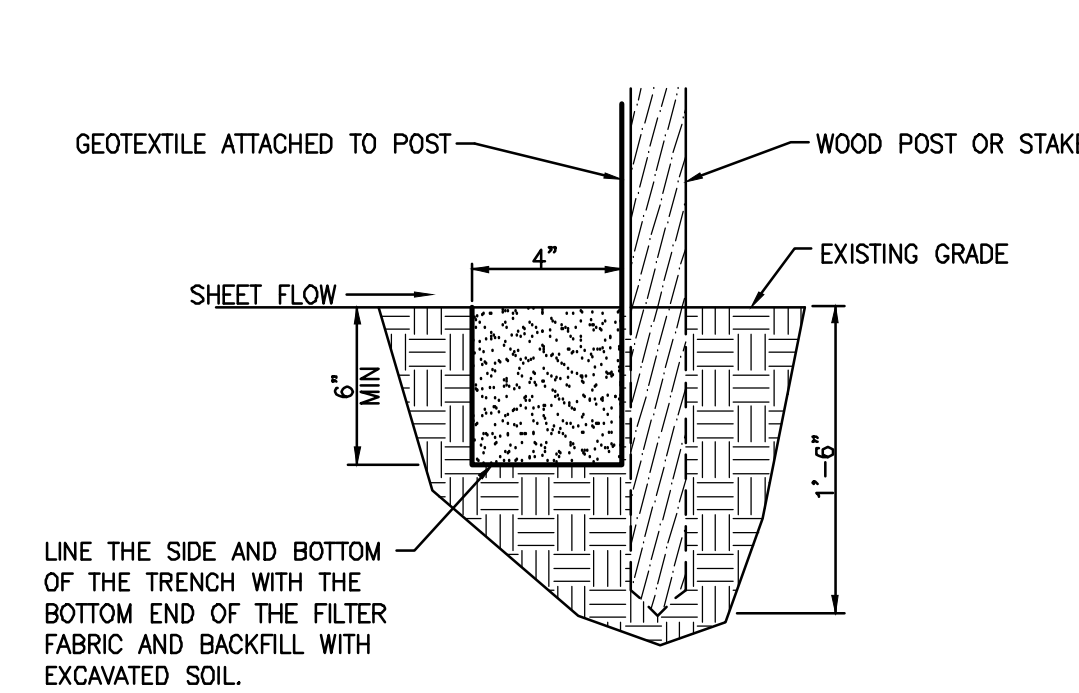


Concrete Washout Area w/ 10 mil Plastic Liner

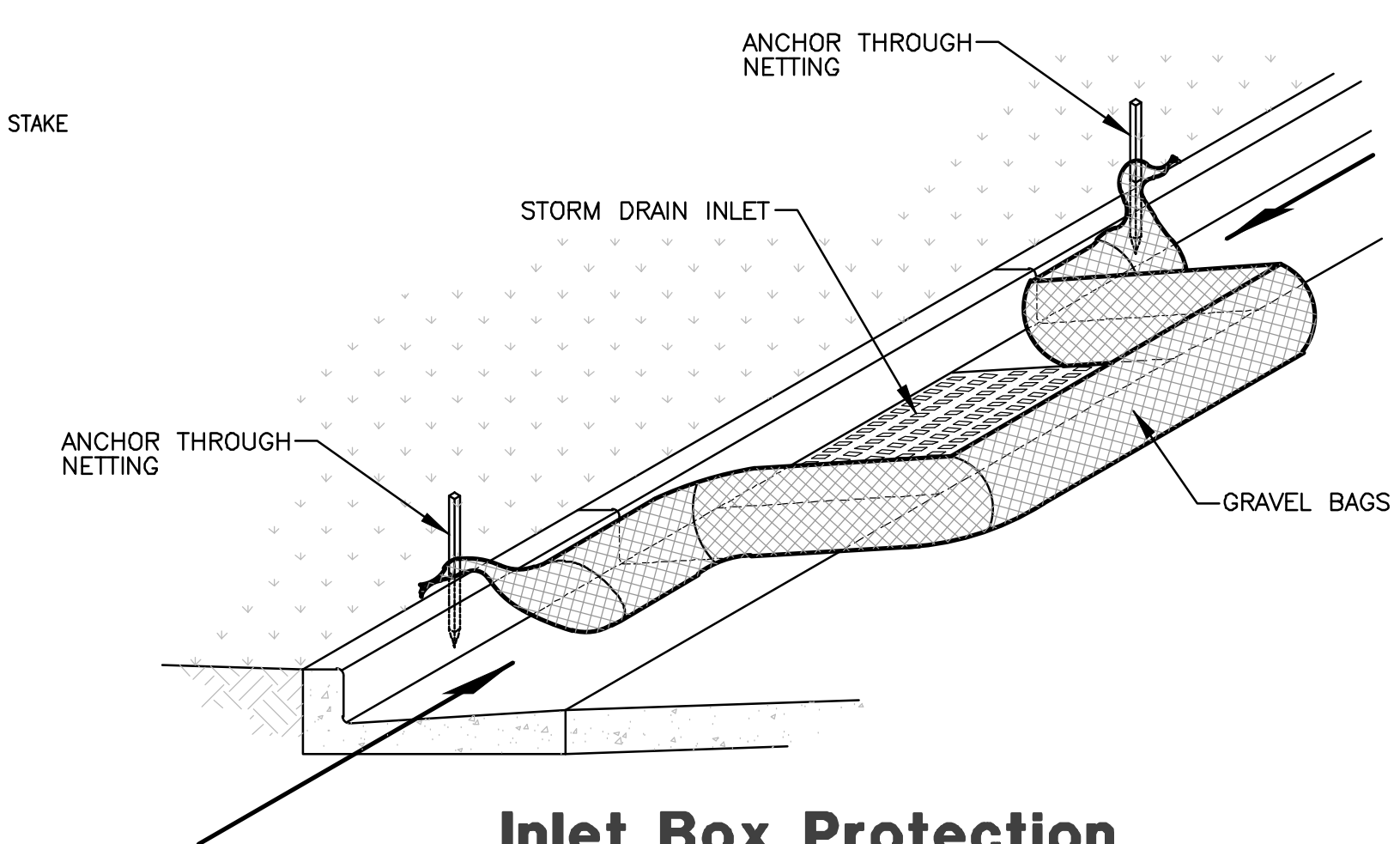
SCALE: NONE



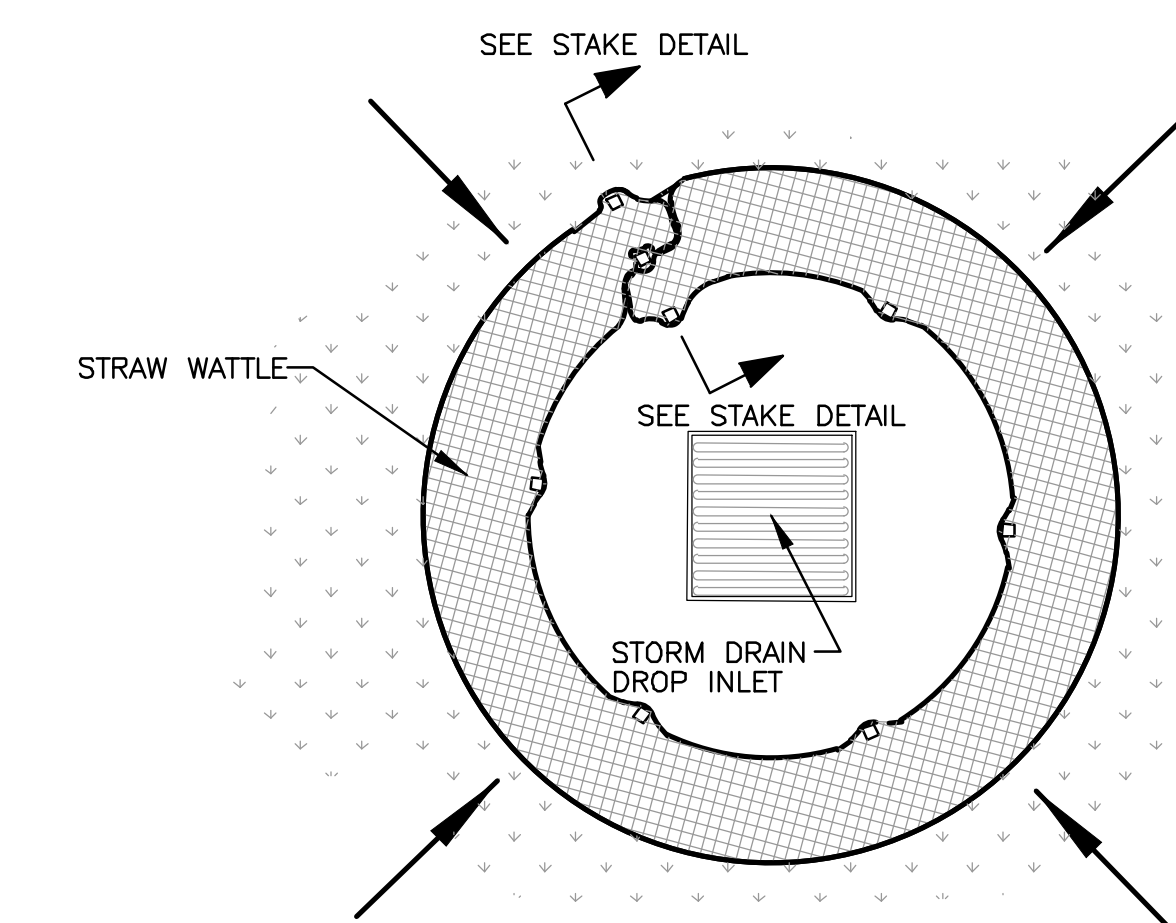
Cross Section 50' x 20' Construction Entrance



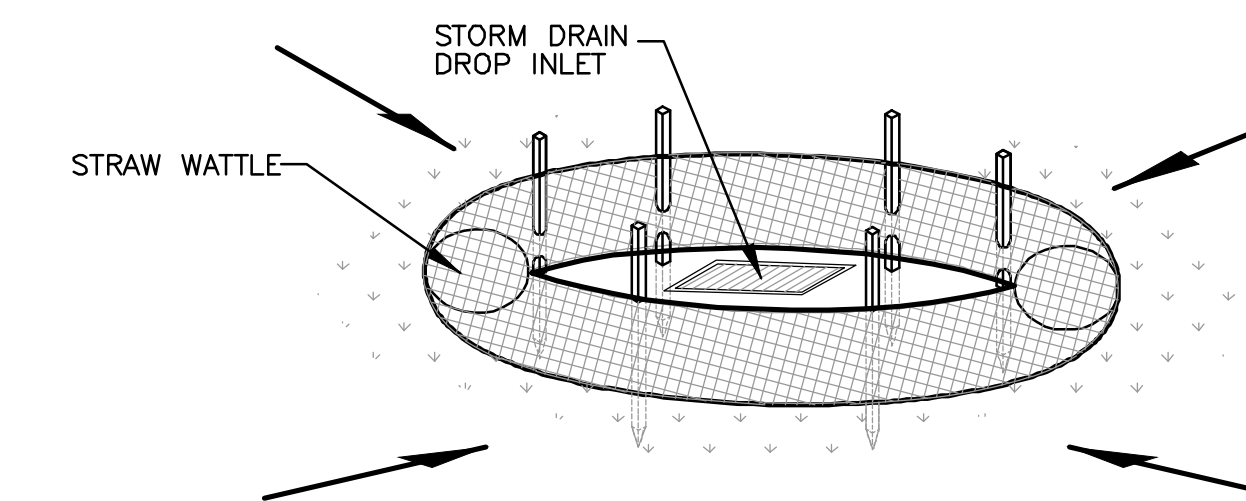
Section



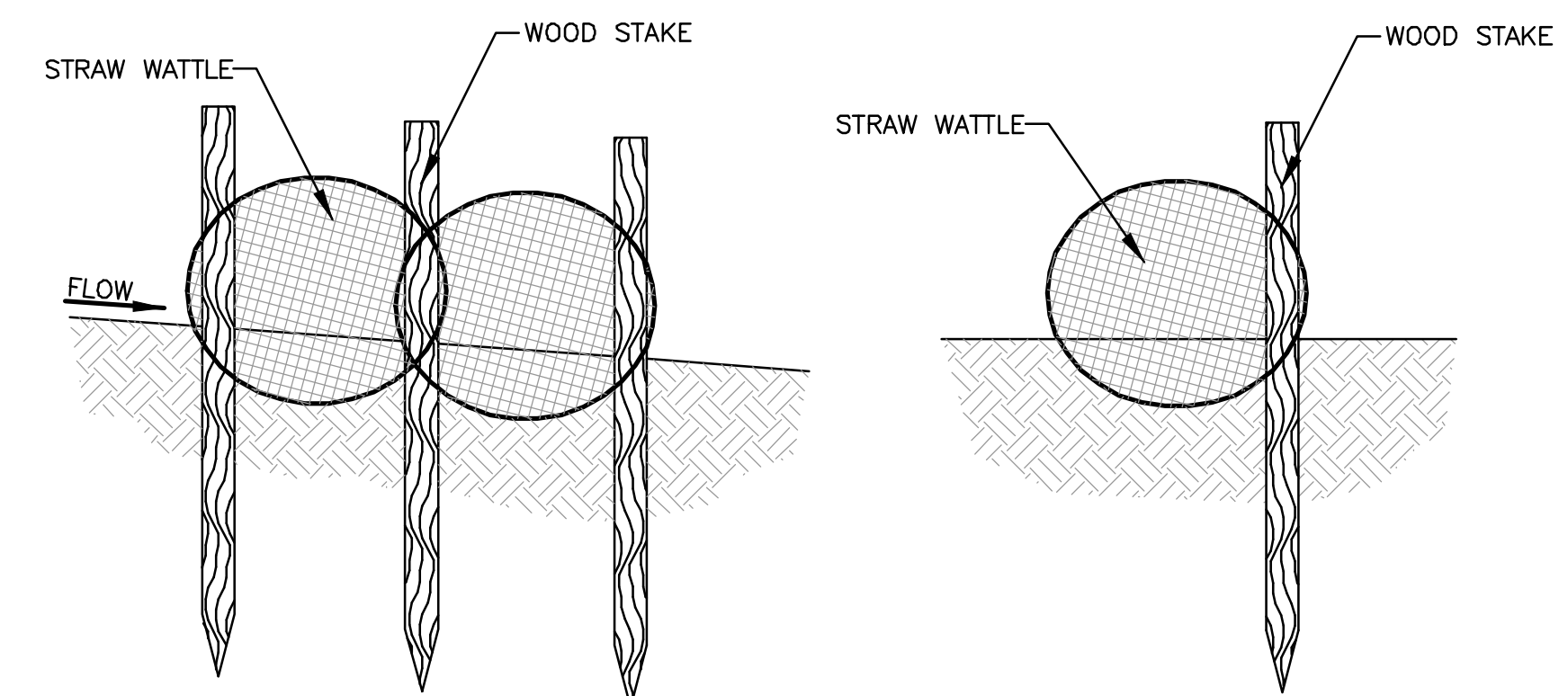
Inlet Box Protection



Plan View



Drop Inlet Protection

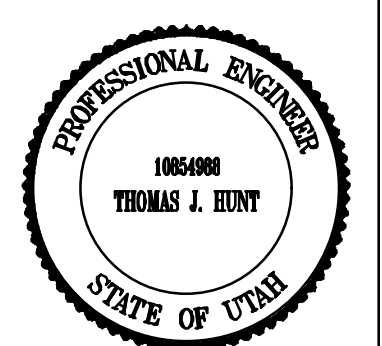


Stake Detail



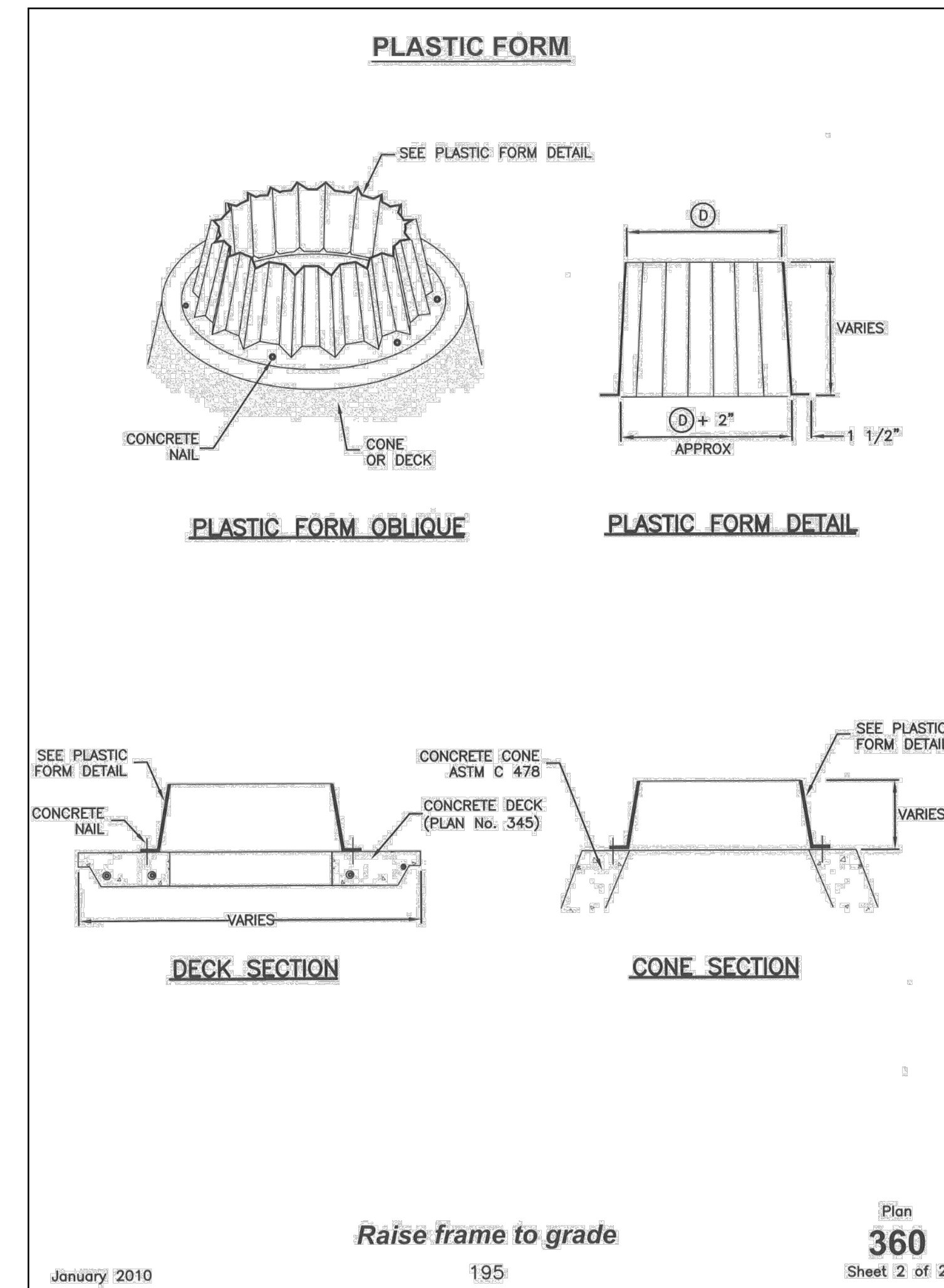
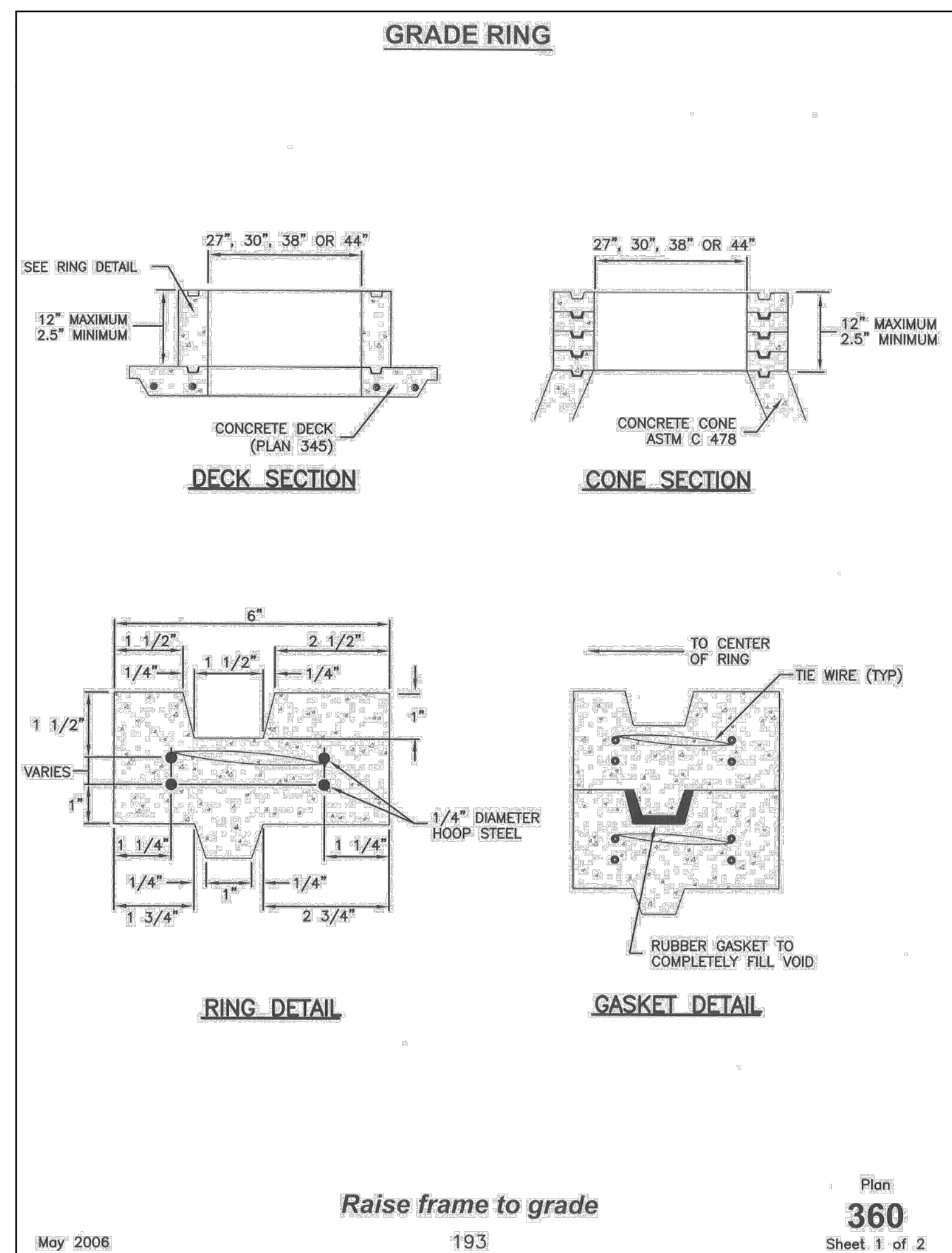
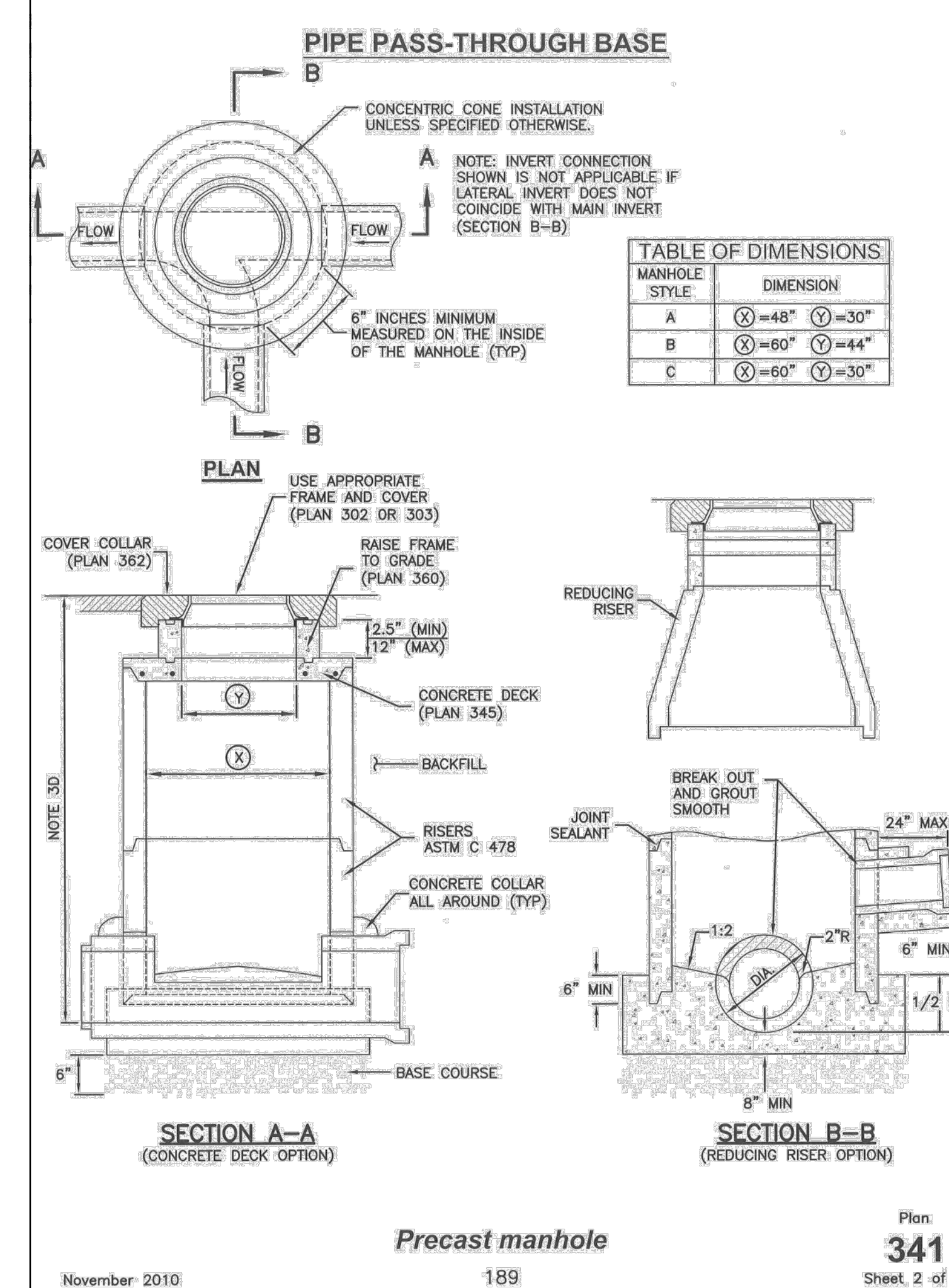
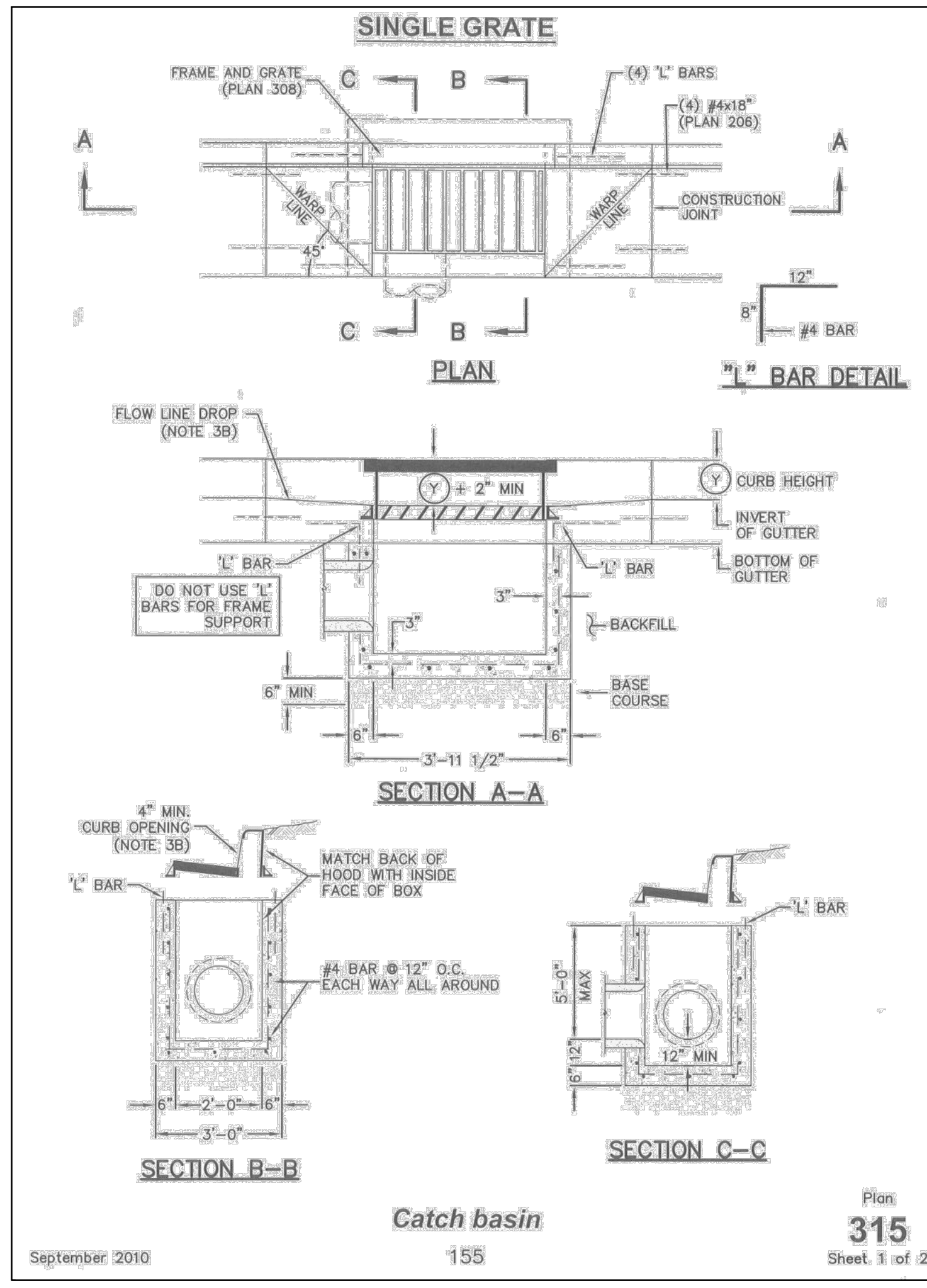
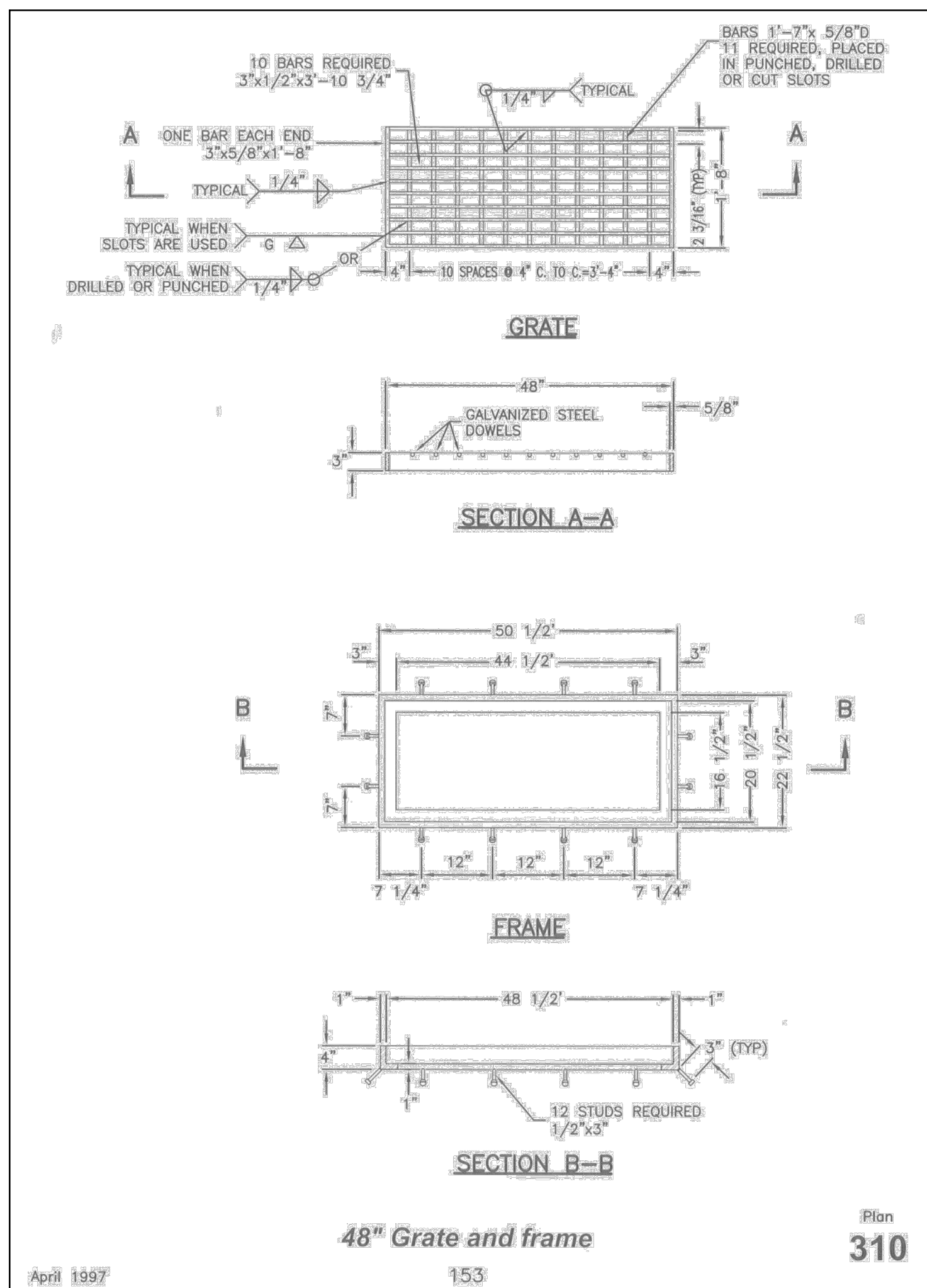
DATE	DESCRIPTION
02-28-19	CK SW Location
03-11-19	CK County Review
04-09-19	CK County Review

Utah View Estates
CODEN CITY, WEBER COUNTY, UTAH
Storm Water Pollution Prevention Plan Details



Project Info.
Engineer: THOMAS J. HUNT, P.E.
Drafted: C. KINGSLEY
Begin Date: DECEMBER 2018
Name: UTAH VIEW ESTATES
Number: 7075-01

Sheet **8**
7 Sheets



Reeve & Associates, Inc.
5160 SOUTH 1500 WEST RIVERDALE, UTAH 84405
TEL: (801) 921-3100 FAX: (801) 621-2666 www.reeve-associates.com
LAND PLANNERS • CIVIL ENGINEERS • LAND SURVEYORS
PRACTICE ENGINEERS • STRUCTURAL ENGINEERS • LANDSCAPE ARCHITECTS

REVISIONS

DATE	DESCRIPTION
02-28-19	CK SW Location
03-11-19	CK County Review
04-09-19	CK County Review

Uintah View Estates
OGDEN CITY, WEBER COUNTY, UTAH

Details

PROFESSIONAL ENGINEER
106400
THOMAS J. HUNT
STATE OF UTAH

Project Info.
Engineer: THOMAS J. HUNT, P.E.
Drafted: C. KINGSLEY
Begin Date: DECEMBER 2018
Name: UINTAH VIEW ESTATES
Number: 7075-01