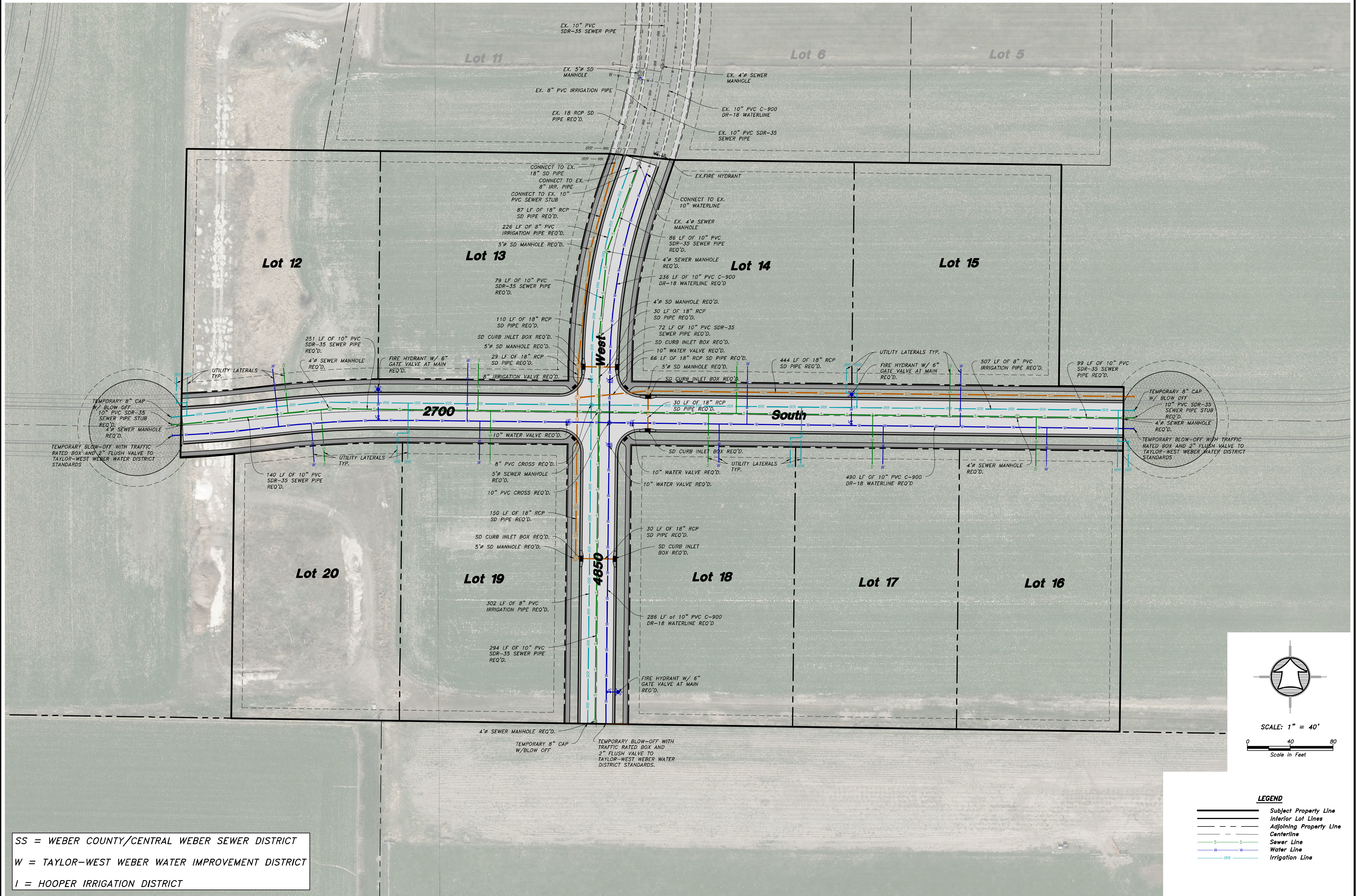


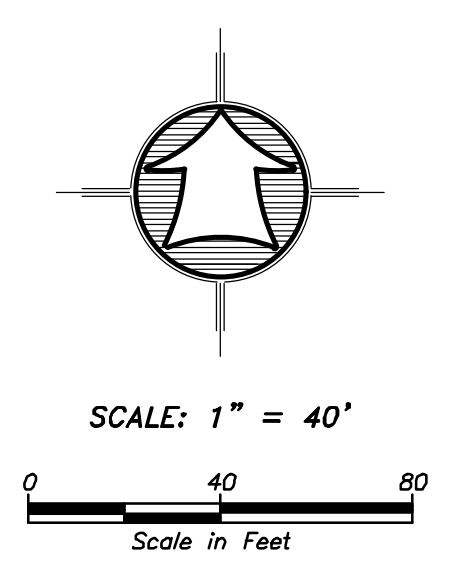


# SUN CREST MEADOWS SUBDIVISION PHASE 2

## MASTER UTILITY PLAN



SS = WEBER COUNTY/CENTRAL WEBER SEWER DISTRICT  
 W = TAYLOR-WEST WEBER WATER IMPROVEMENT DISTRICT  
 I = HOOPER IRRIGATION DISTRICT



**LEGEND**

	Subject Property Line
	Inferior Lot Lines
	Adjoining Property Line
	Centerline
	Sewer Line
	Water Line
	Irrigation Line

No.	Date	By	Revision

**HANSEN & ASSOCIATES, INC.**  
 Consulting Engineers and Land Surveyors  
 538 North Main Street, Brigham, Utah 84302  
 Visit us at [www.hansen.net](http://www.hansen.net)  
 Logan, Utah  
 (435) 723-3491 (801) 399-4905 (435) 752-8272



Drawn By: MTH Date: 08/14/18  
 Designed By: \_\_\_\_\_  
 Checked By: \_\_\_\_\_  
 Approved By: \_\_\_\_\_  
 Scale: 1" = 50'  
 Drawing File: 16-108v16(07-27-18)02  
 JOB NUMBER: 16-105

MASTER UTILITY PLAN FOR  
**SUN CREST MEADOWS SUBDIVISION PHASE 2**  
 2700 SOUTH 4850 WEST  
 TAYLOR, UT 84401

Sheet  
**2**  
 of  
**8**  
 Sheets