



Land Use Permit

Weber County Planning Commission

2380 Washington Blvd. STE 240

Ogden, UT 84401

Phone: (801) 399-8791 FAX: (801) 399-8862

webercountyutah.gov/planning

Permit Number: LUP145-2018

Permit Type: Structure

Permit Date: 06/19/2018

Applicant

Name: Signature Builders
Business:
Address: 3625 S Honeycutt Rd
SLC, UT 84106
Phone: 801-699-4571

Owner

Name: SMHG Village Development LLC
Business:
Address: 3923 N Wolf Creek Dr
Eden, UT 84310
Phone: 435-640-7002

Parcel

Parcel: 231510026

Zoning: DRR-1 **Area:** .0264 **Sq Ft:**

Lot(s): 127

Subdivision: Horizon PRUD Amendme

Address: 7852 E HORIZON RUN RD EDEN, UT 84310

T - R - S - QS: 7N - 2E - 6 - SE

Proposal

Proposed Structure: Single Family Dwelling

Building Footprint: 1000

Proposed Structure Height: 31

Max Structure Height in Zone: 35

of Dwelling Units: 1

of Accessory Bldgs: 0

Off Street Parking Reqd:

***Is Structure > 1,000 Sq. Ft?** N/A

*If True Need Certif. Statement

Permit Checklist

Access Type: Across front lot line

Alternative Access File #

Greater than 4218 ft above sea level? Yes

Wetlands/Flood Zone? No

Additional Setback Reqd. ? No

Meet Zone Area Frontage? N/A

> 200 ft from paved Road? N/A

Hillside Review Reqd? N/A

Culinary Water District: PMWSD

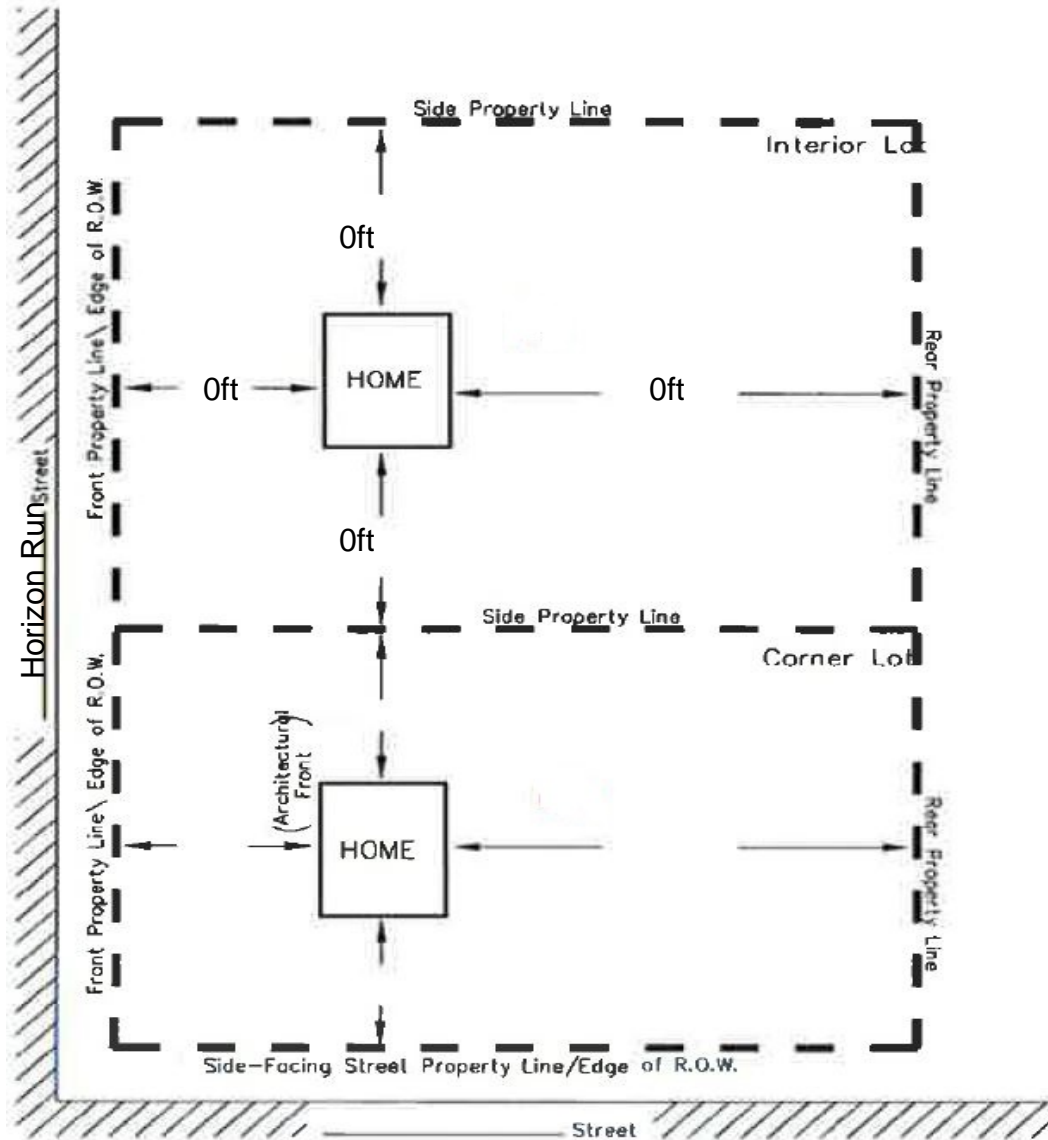
Waste Water System: PMWSD

Comments

All site improvements including the location of the single family residence and the final grading/landscaping of the site shall strictly adhere to the recommendations outlined in the Geologic Hazards Assessment Report from IGES Project# 01628-013 dated August 3, 2016 (revised July 19, 2017). It is recommended that IGES is present during the excavation of the home site to evaluate the site specific soil conditions which will allow IGES to make any necessary modifications to the recommendations outlined in the report if differing conditions are encountered during excavation. Prior to receiving the final occupancy, a Natural Hazards Notice (to be provided by Weber County) must be recorded with the Weber County Recorder's office per LUC #104-27-5. All outdoor lighting must be in compliance with Ogden Valley Outdoor lighting standards.

Land Use Permit

Structure Setback Graphic: New Dwelling, Addition, Etc.



MINIMUM YARD SETBACKS New Dwelling, Addition, Etc.

NOTICE FOR APPLICANT (Please Read Before Signing)

Proposals for the installation of an individual water supply and for a sanitary waste disposal system (septic tank) for any structure designed for human occupation must be approved by Weber County Health Department prior to installation.

Steven Burton

06/19/2018

Planning Dept. Signature of Approval

Date

I hereby certify that I have read and examined this application and know the same to be true and correct. All provisions of laws and ordinances governing this land use will be complied with whether specified herein or not. I make this statement under penalty of perjury.

Contractor/Owner Signature of Approval

Date