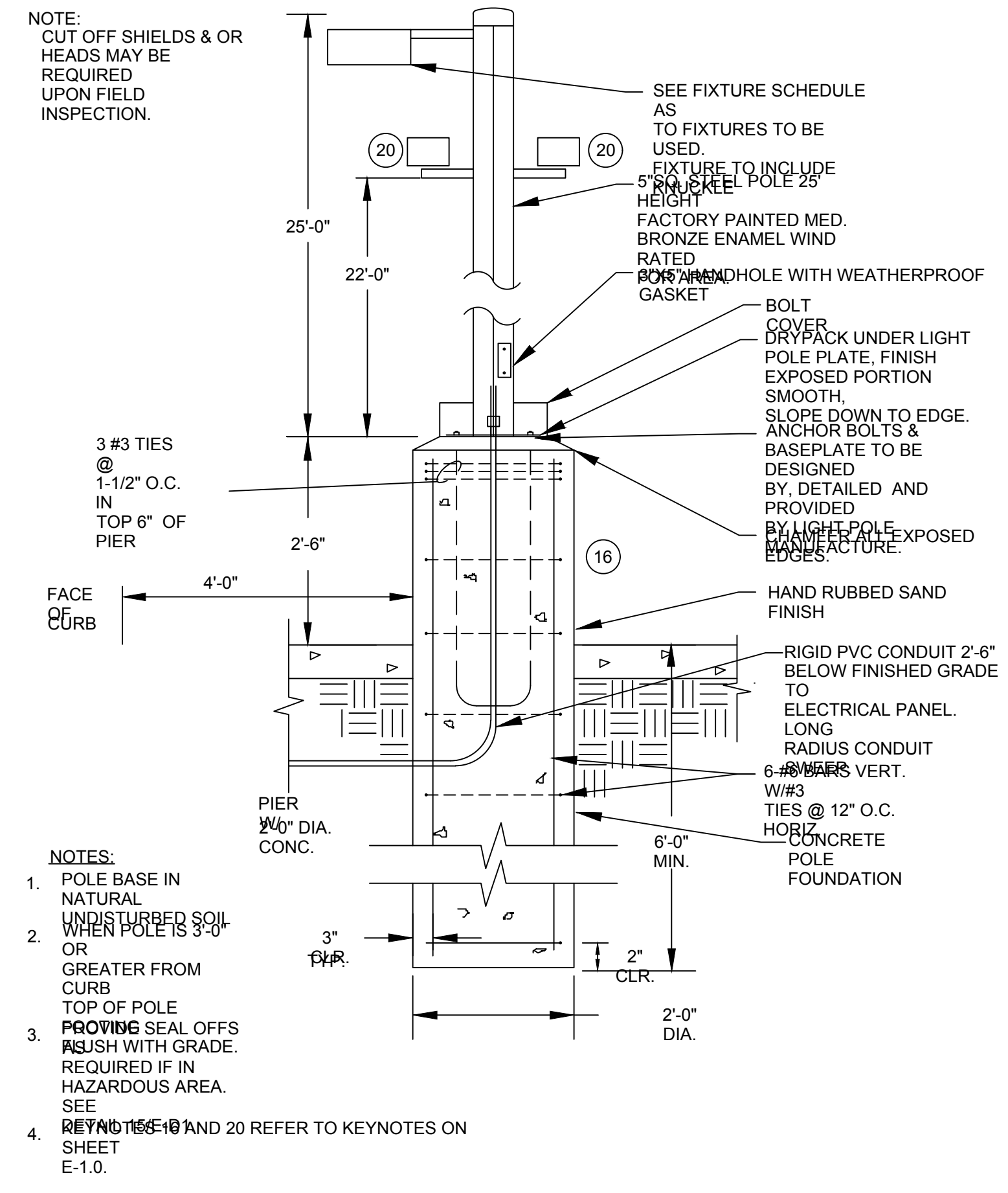


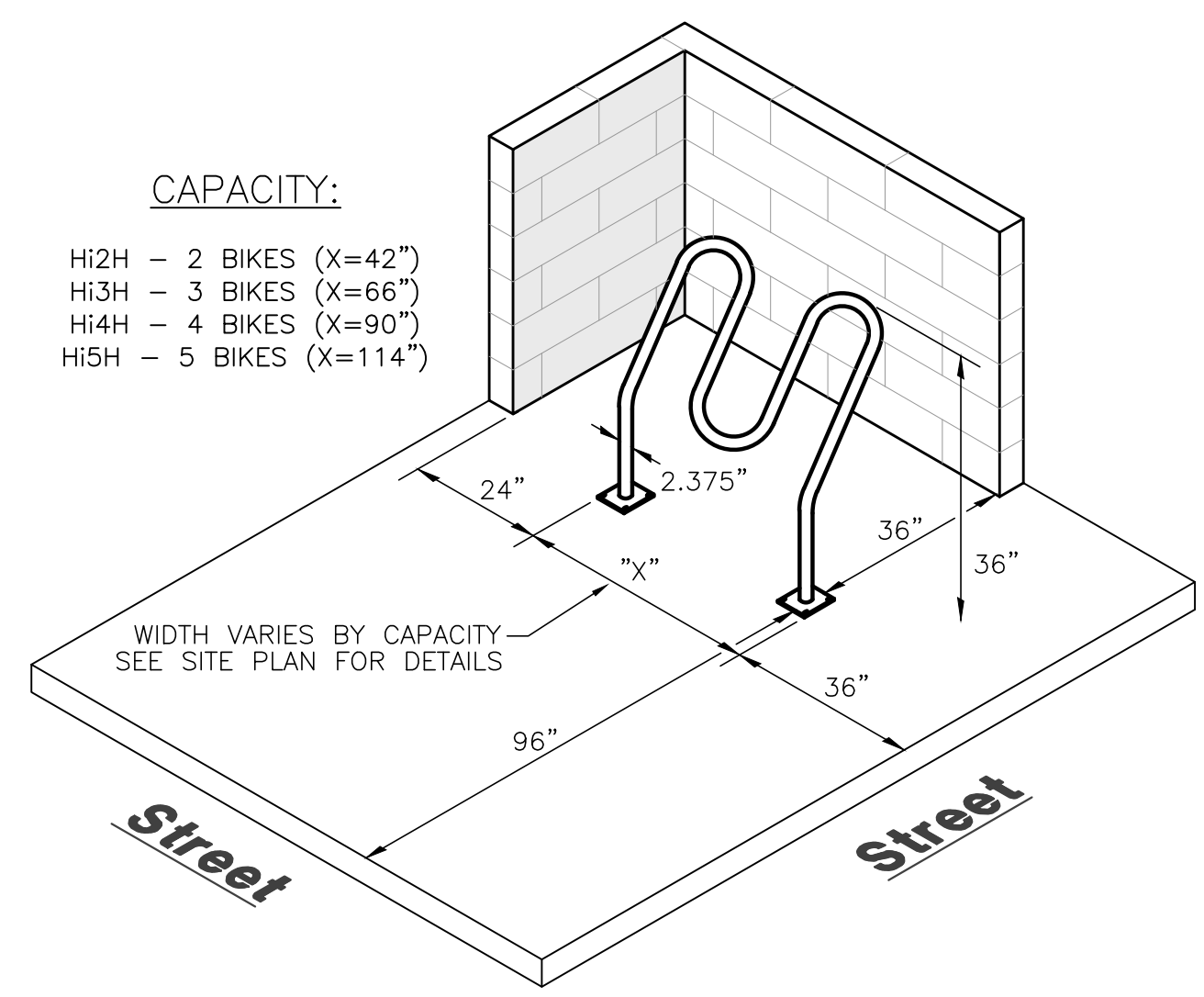
1 Picnic Table
SCALE: NONE

2 Not Used
SCALE: NONE

3 Not Used
SCALE: NONE



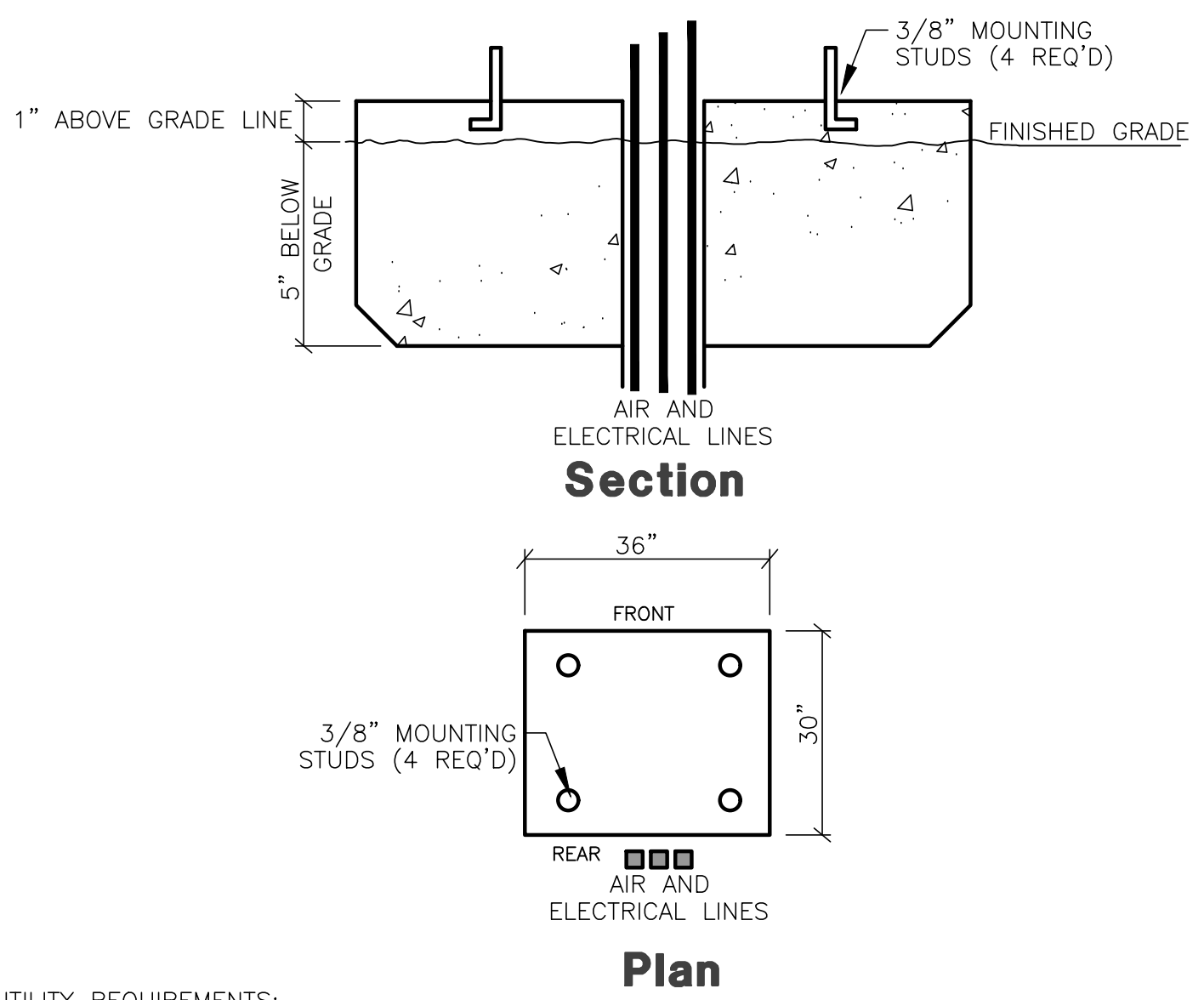
4 Typical Light Pole & Base
SCALE: NONE



5 'Hi-Roller' Bike Rack Detail
SCALE: NONE

6 Not Used
SCALE: NONE

7 Not Used
SCALE: NONE



8 XactAir Air Station Foundation
SCALE: NONE

9 Not Used
SCALE: NONE

11 Not Used
SCALE: NONE

PROJECT NUMBER

ISSUE DATE:
APR. 13, 2018
REVISIONS:

No.	Date	Description

NOTE:
Bid documents should not be separated or issued as partial sets to subcontractors. Bidders are responsible for all portions of the documents that pertain to work covered by sub-bids. Bidder assumes full responsibility for error or misinterpretations resulting from partial sets of Bidding Documents by itself or any sub-bidder.

Conflicting information or errors found in the construction documents should be brought to the attention of the architect immediately. In the event of a conflict in the drawings, bidder should not assume the least expensive option will meet the project requirements.



MAVERIK, INC. STORE #250
5100 EAST & 2500 NORTH
EDEN, UTAH

SHEET TITLE
CIVIL DETAILS

C9.2

10 Not Used
SCALE: NONE

RA Reeve & Associates, Inc.

5160 SOUTH 1500 WEST
RIVERDALE, UTAH 84405
TEL: (801) 621-3100
FAX: (801) 621-2666
www.reeve-assoc.com

LAND PLANNERS * CIVIL ENGINEERS
LAND SURVEYORS * TRAFFIC ENGINEERS
STRUCTURAL ENGINEERS * LANDSCAPE ARCHITECTS

PROJECT NUMBER: 5799-230
DRAWN BY: RWH
ENGINEER: JNR

