

Irrigation Schedule

SYMBOL	MANUFACTURER	CATALOG NUMBER	DESCRIPTION
●●●●●	RAINBIRD	5004-PL-SAM-MPR-25	BODY AND RAIN CURTAIN ROTOR NOZZLE UNIT, 25'R USE EXISTING SPRINKLERS IN TURF AREA, IF POSSIBLE.
▲	RAINBIRD	RWS-B-C-1401	ROOT WATERING SERIES, 0.25 GPM, 2 EMITTERS/TREE
●	RAINBIRD	XB-T-20-PC	XERIBUG THREADED DRIP EMITTERS, 2 GAL/HOUR 1 EMITTER/1 GAL. PLANT, 2 EMITTERS/5 GAL. PLANT.
■	RAINBIRD	XCZ-100-PRB-COM	COMMERCIAL CONTROL ZONE KIT DRIP VALVE
●	RAINBIRD	PEB SERIES	PRESSURE REGULATING PLASTIC VALVE
VALVE NO & CONTROLLER			VALVE ID BOX
SIZE			1-1/2" MAINLINE - SCHEDULE 40 PVC
→			DRIP LATERAL LINE - POLY PIPE MAY BE USED TURF LATERAL LINE - CLASS 200 PVC, SIZED AS FOLLOWS 3/4" (0-10 gpm), 1" (10-16 gpm), 1 1/4" (16-26 gpm), 1 1/2" (26-35 gpm), 2" (35-55 gpm)
△	RAINBIRD	ESP 12 LXME:120 VAC	INDOOR/OUTDOOR MOUNT BASE CONTROLLER.
---			SLEEVING - SCHEDULE 40 PVC, 2 SIZES GREATER THAN INTERIOR PIPE SLEEVING USED WHENEVER IRRIGATION IS PLACED UNDER PAVED AREAS.
I			GATE VALVE - SIZE PER PIPE - PLACE SLEEVE OVER VALVE
Z	WILKENS	MODEL 375 OR EQUAL	BACKFLOW PREVENTION, SIZE AS PER CITY/COUNTY REGULATIONS.
●	RAINBIRD	MODEL 44RC	1" QUICK COUPLING VALVE
---			IRRIGATION ZONES

NOTE: USE EXISTING SPRINKLERS IN TURF AREA, IF POSSIBLE, OTHERWISE USE NEW DESIGN.
NOTE: USE STRONG BOX SBBC 30 AL ALUMINUM BOX TO ENCLOSE BACKFLOW PREVENTER.
NOTE: USE WR2-RC WIRELESS RAIN/FREEZE SENSOR.

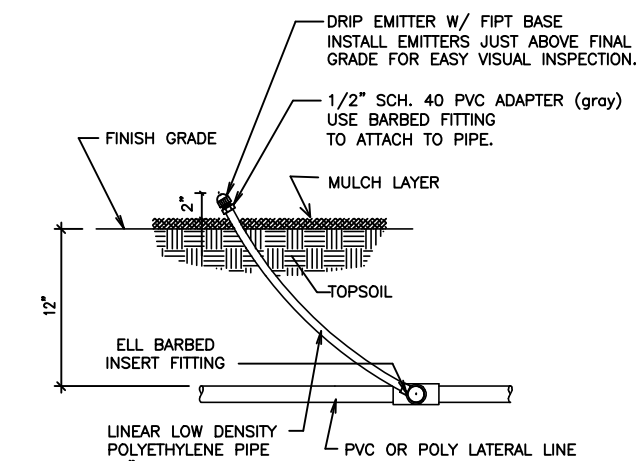
SPRINKLER NOTE

All Plant Material shown on the drawing shall be serviced by an Automatic Underground Irrigation System. The Contractor is to have a qualified Irrigation System specialist prepare a design for an Automatic Underground Irrigation System and submit drawings to the Engineer for approval at least 30 days prior to the system installation. Underground Irrigation System Drawings shall be prepared on 24"x36" sheet, neatly drawn and very legible. Drawings are to include head spacing, types of heads, piping with sizes, valves, fittings and all other items required for proper installation of the system.

The Landscape Contractor shall be responsible for the installation of all irrigation sleeves prior to placement of hard improvements. Coordinate with the General Contractor.

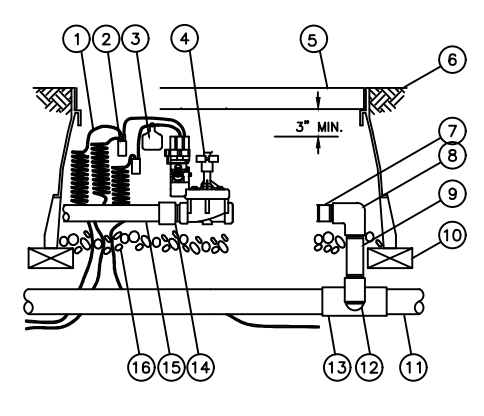
The Landscape Contractor is to provide an Irrigation System connection (meter and backflow preventer assembly) to the waterline, as applicable, within State and Local jurisdictional codes. The Irrigation Contractor is responsible to coordinate this item with the Utility Contractor.

The Irrigation Control Box shall be located at the direction of the Project Manager.

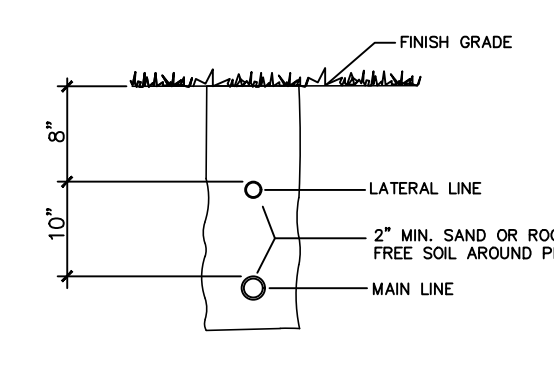


DRIP EMITTER
N.T.S.

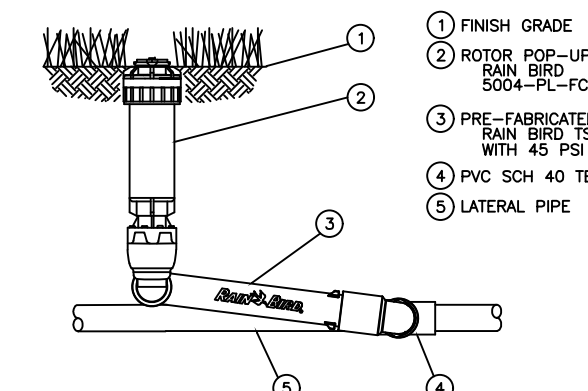
- ① 30-INCH LINEAR LENGTH OF WIRE COILED
- ② WATERPROOF CONNECTION: RAIN BIRD SPICE-1 (1 OF 2)
- ③ ② TAG: RAIN BIRD VID SERIES
- ④ REMOTE CONTROL VALVE: RAIN BIRD VB-GRND WITH NO-HAN
- ⑤ VALVE BOX WITH COVER: RAIN BIRD VB-STD
- ⑥ FINISH GRADE/TOP OF MULCH
- ⑦ PVC SCH 80 NIPPLE (CLOSE)
- ⑧ PVC SCH 40 ELL
- ⑨ PVC SCH 80 NIPPLE (LENGTH AS REQUIRED)
- ⑩ BRICK (1 OF 4)
- ⑪ PVC MANLINE PIPE
- ⑫ SCH 80 NIPPLE (2-INCH LENGTH HIDDEN) AND SCH 40 ELL
- ⑬ PVC SCH 40 TEE OR ELL
- ⑭ PVC SCH 40 MALE ADAPTER
- ⑮ PVC LATERAL PIPE
- ⑯ 3/4-INCH MINIMUM DEPTH OF 3/4-INCH WASHED GRAVEL



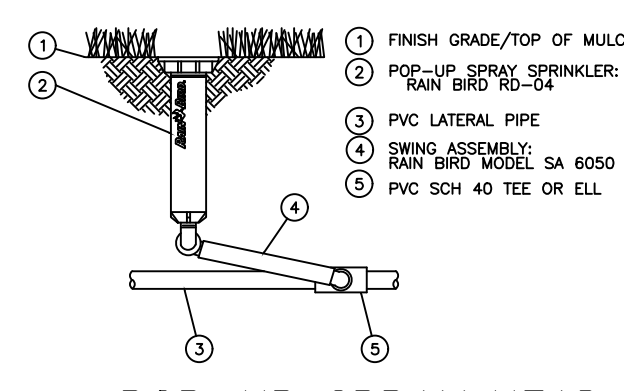
ELECTRIC REMOTE CONTROL VALVE
N.T.S. PEB OR PEB SERIES



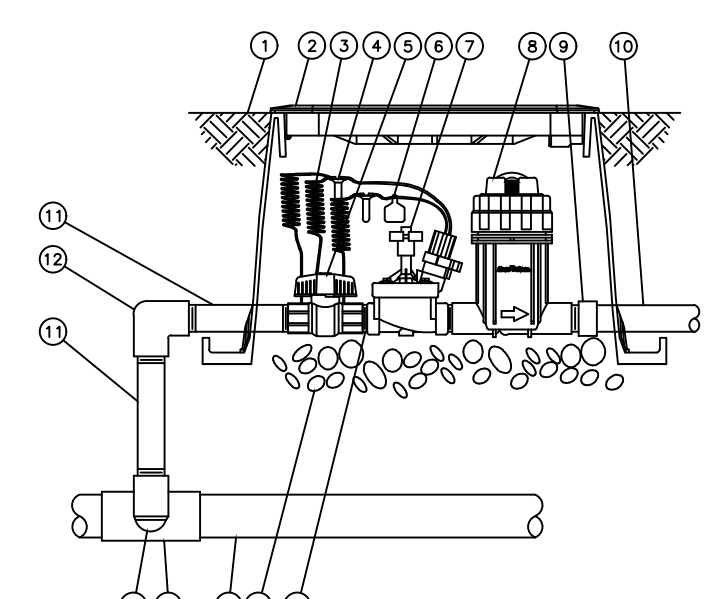
TRENCH SECTION
N.T.S.



ROTOR POP-UP HEAD
N.T.S. 5004 PLUS

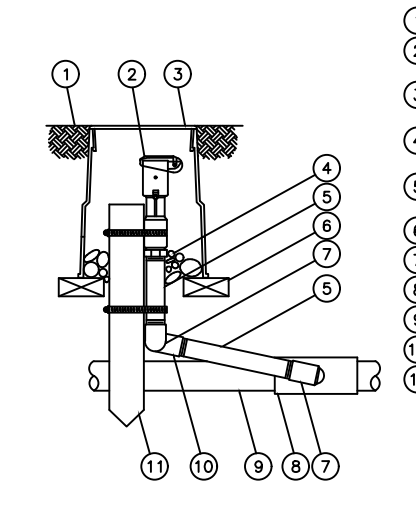


POP-UP SPRAY HEAD
N.T.S. RD-04 WITH SWING PIPE

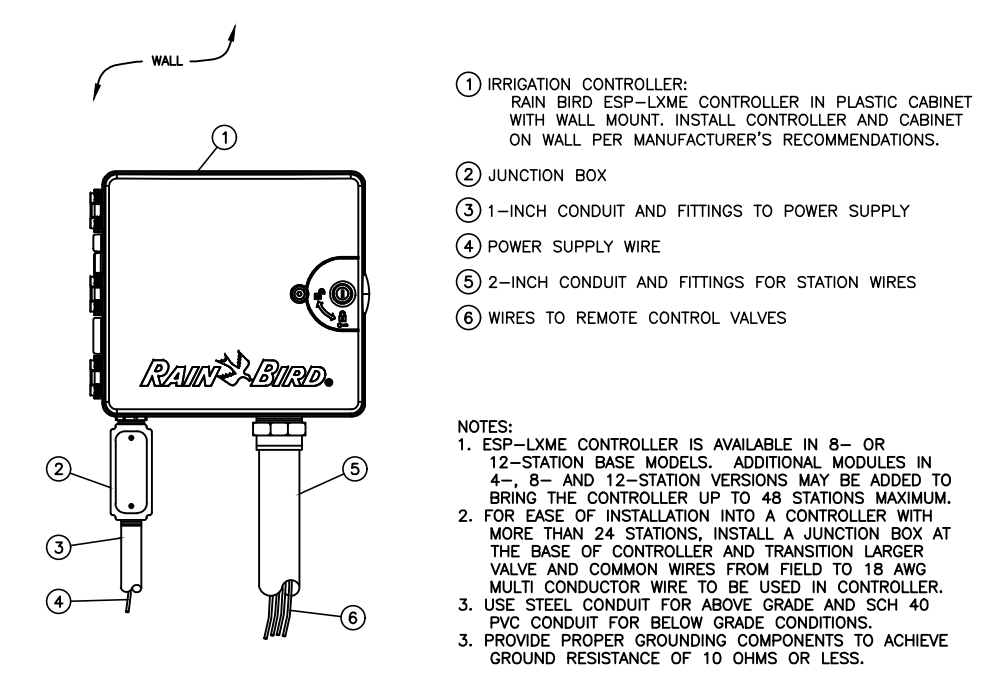


CONTROL ZONE KIT DRIP VALVE
N.T.S. XCZ-PRB100-COM

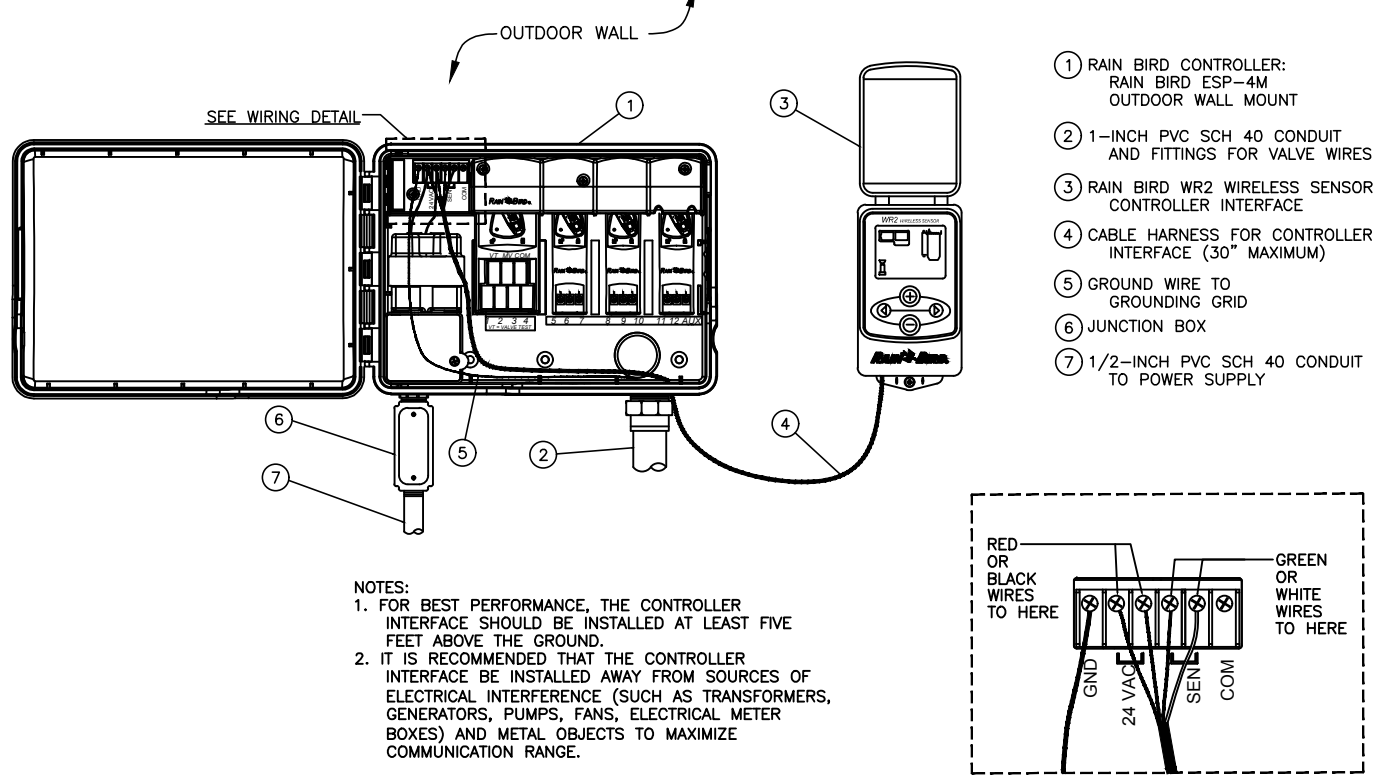
- ① FINISH GRADE/TOP OF MULCH
- ② VALVE BOX WITH COVER: RAIN BIRD VB-STD
- ③ 30-INCH LINEAR LENGTH OF WIRE COILED
- ④ WATERPROOF CONNECTION: RAIN BIRD VB-GRND WITH NO-HAN
- ⑤ ② TAG
- ⑥ REMOTE CONTROL VALVE: RAIN BIRD VB-STD (INCLUDED IN XCZ-PRB-100-COM KIT)
- ⑦ PRESSURE REGULATING QUICK CHECK BASKET FILTER: RAIN BIRD PRB-QCHK-100 (INCLUDED IN XCZ-PRB-100-COM KIT)
- ⑧ PVC SCH 40 FEMALE ADAPTER
- ⑨ LATERAL PIPE
- ⑩ PVC SCH 80 NIPPLE (LENGTH AS REQUIRED)
- ⑪ PVC SCH 40 ELL
- ⑫ PVC SCH 80 NIPPLE (2-INCH LENGTH HIDDEN) AND PVC SCH 40 ELL
- ⑬ PVC SCH 40 TEE OR ELL
- ⑭ MANLINE PIPE
- ⑮ 3-INCH MINIMUM DEPTH OF 3/4-INCH WASHED GRAVEL (INCLUDED IN XCZ-PRB-100-COM KIT)



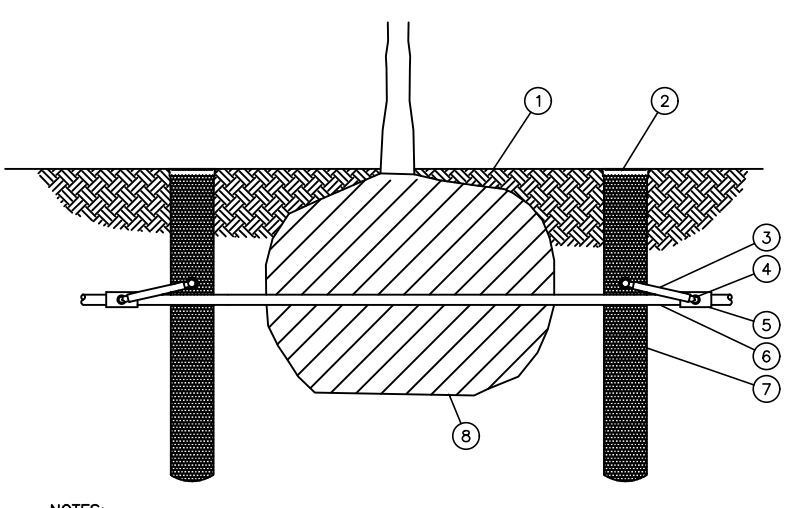
QUICK COUPLING VALVE
N.T.S. MODEL 44RC SERIES



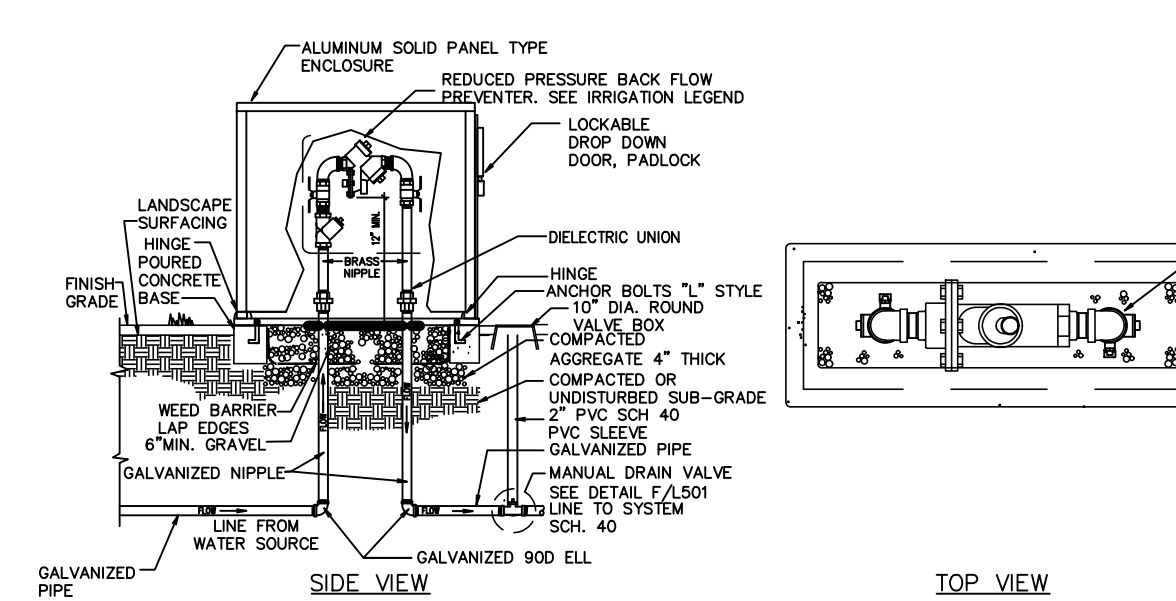
ESP-LXME CONTROLLER
N.T.S. IN PLASTIC CABINET FOR OUTSIDE MOUNT



WIRELESS RAIN SENSOR-OUTDOOR
N.T.S. WR2 SERIES CONTROLLER INTERFACE



RWS ROOT WATERING SYSTEM
N.T.S. INSTALLATION FOR TREES



BACKFLOW PREVENTER WITH ALUMINUM ENCLOSURE
N.T.S.

RA Reeve & Associates, Inc.
5160 SOUTH 1500 WEST
RIVERDALE, UTAH 84405
TEL: (801) 621-3100
FAX: (801) 621-2666
www.reeve-assoc.com

LAND PLANNERS * CIVIL ENGINEERS
LAND SURVEYORS * TRAFFIC ENGINEERS
STRUCTURAL ENGINEERS * LANDSCAPE ARCHITECTS

PROJECT NUMBER: 5799-230
DRAWN BY: RWH
ENGINEER: JNR

PROJECT NUMBER

ISSUE DATE:
APR. 13, 2018
REVISIONS:

No.	Date	Description

NOTE:
Bid documents should not be separated or issued as partial sets to subcontractors. Bidders are responsible for all portions of the documents that pertain to work covered by sub-bids. Bidder assumes full responsibility for error or misinterpretations resulting from partial sets of Bidding Documents by itself or any sub-bidder.

Conflicting information or errors found in the drawings, bidder should not assume the most expensive option will meet the project requirements.



MAVERIK, INC. STORE #250
5100 EAST & 2500 NORTH
EDEN, UTAH

SHEET TITLE
IRRIGATION DETAILS

L4

