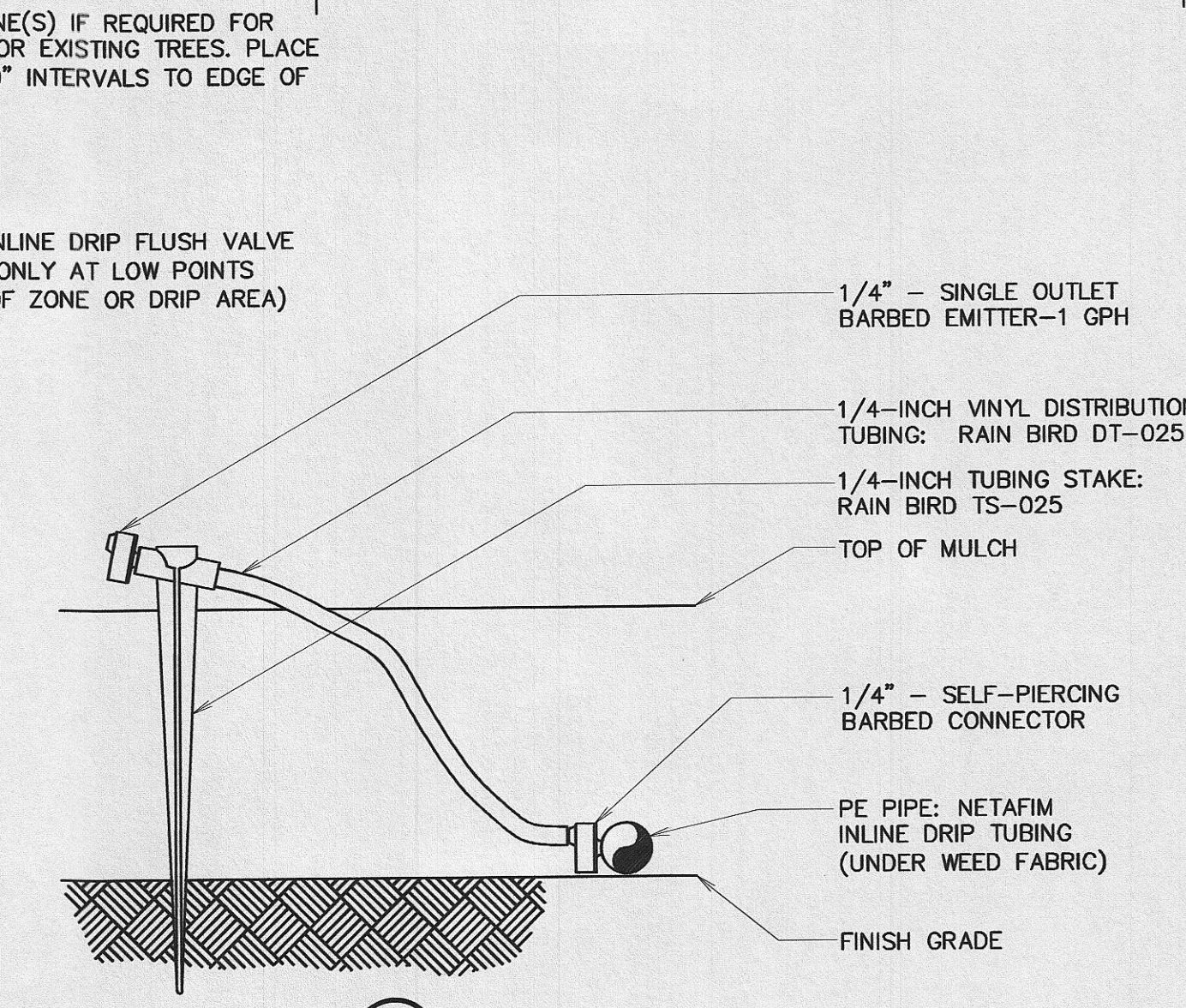


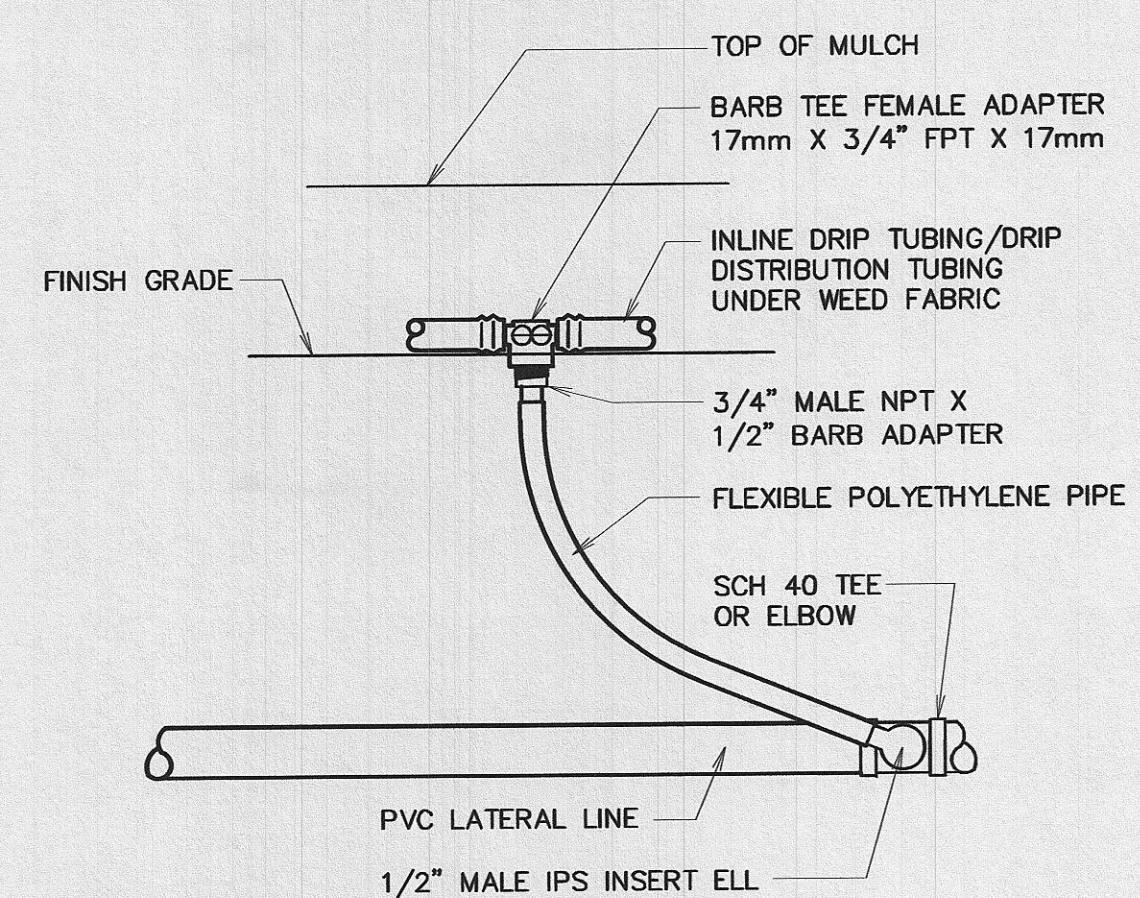
A TREE DRIP-PLAN VIEW
NO SCALE

NOTE: ALL FITTINGS TO INLINE DRIP TUBING TO BE COMPRESSION FITTINGS. IF MALE INSERTS ARE NEEDED, INSTALL WITH OETICKER CLAMPS.



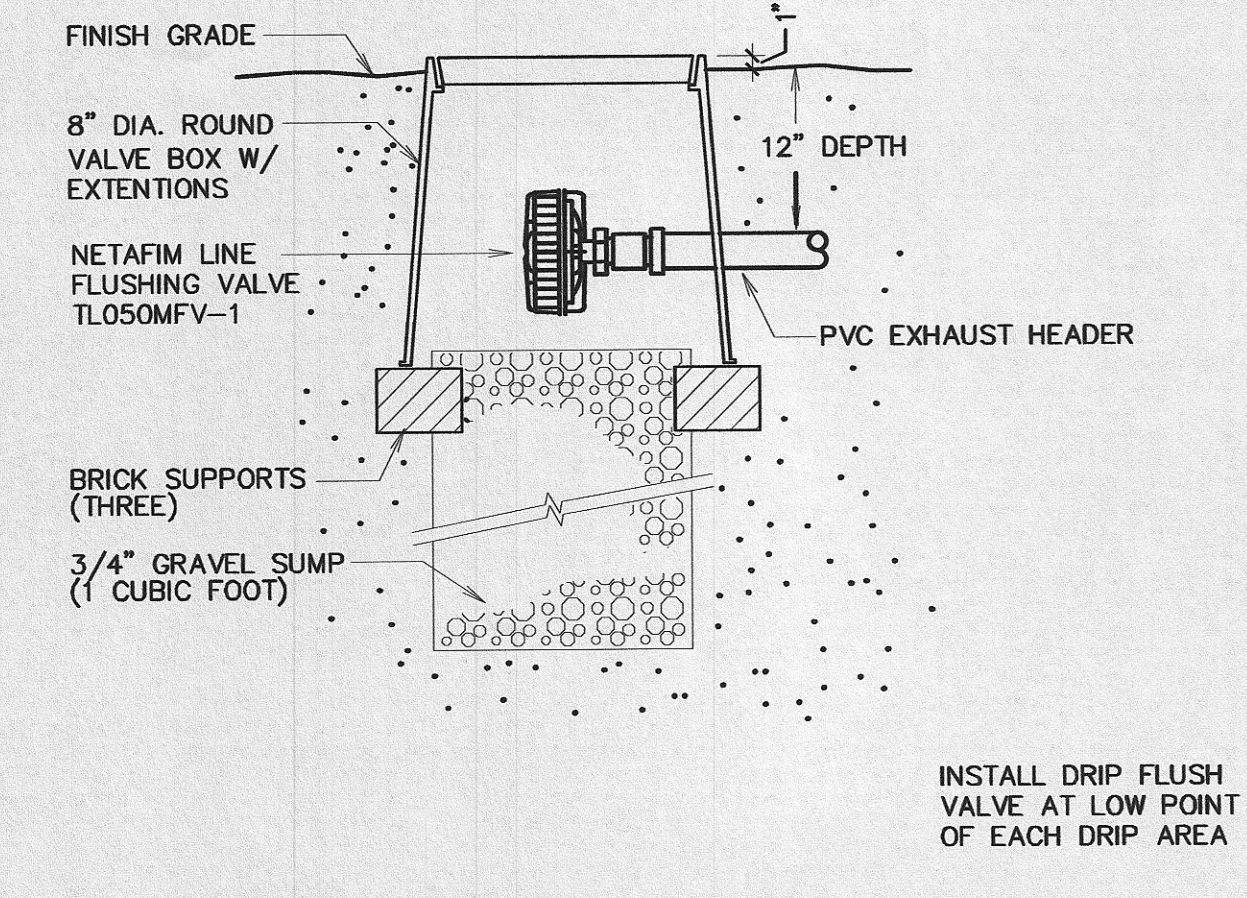
B EMITTER AT BASE OF TREE
NO SCALE

NOTE:
1. USE RAIN BIRD BUG GUN MODEL EMA-BG TO INSERT EMITTER DIRECTLY INTO INLINE DRIP TUBING.
2. THIS IS AN INDICATOR ONLY EMITTER TO BE USED AT TREE RINGS ONLY.



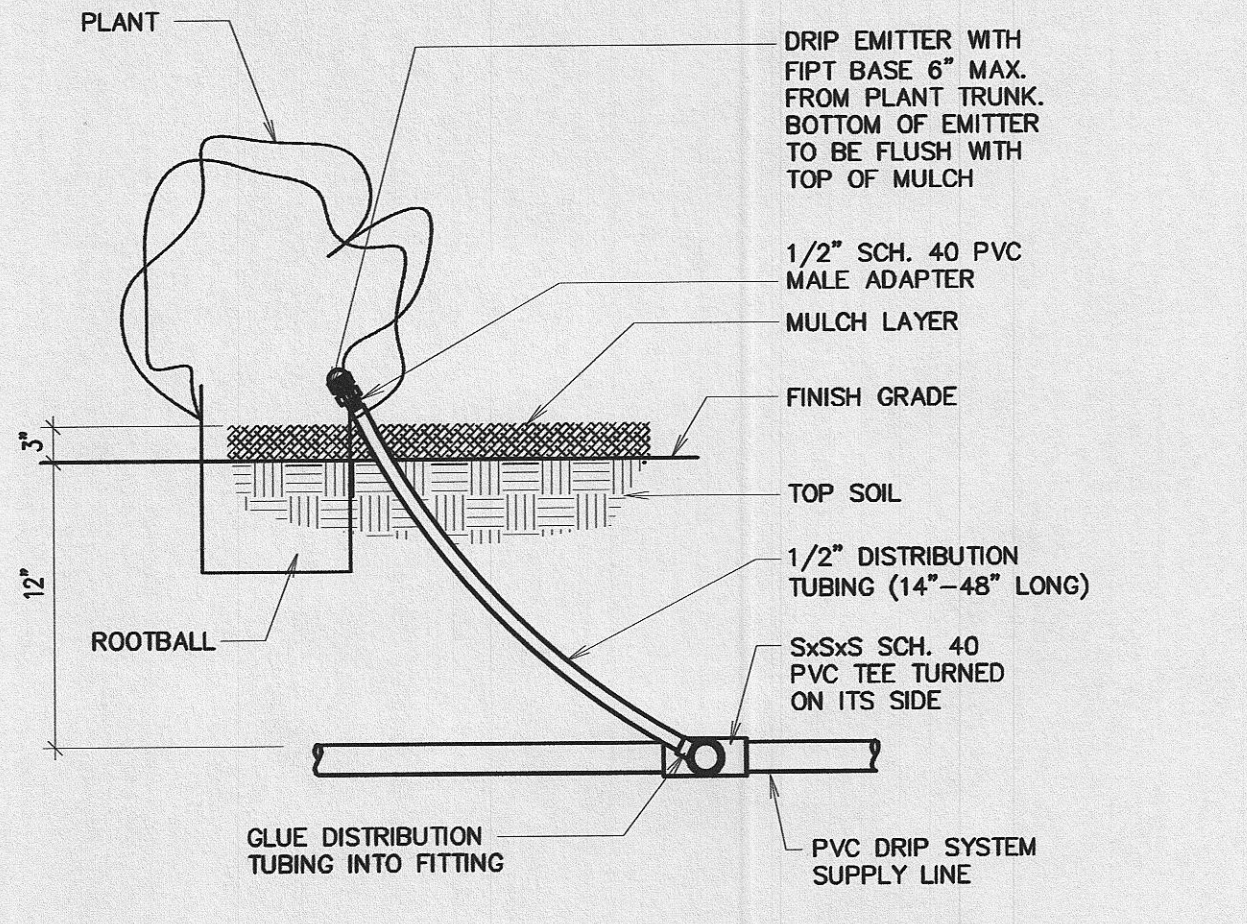
C PVC TO PE PIPE CONNECTION
NO SCALE

NOTE:
1. USE AT TREE RINGS ONLY.



D INLINE DRIP FLUSH VALVE
NO SCALE

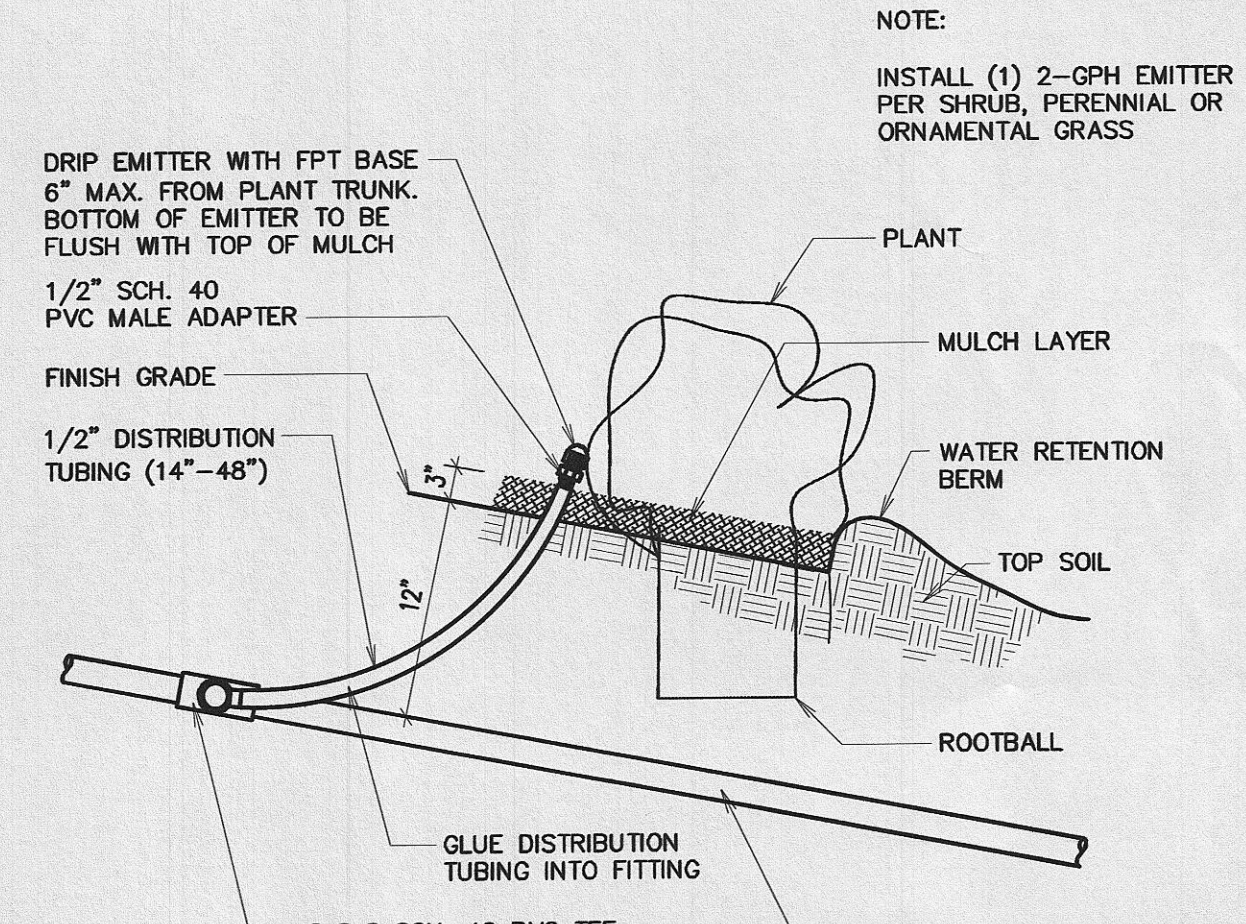
INSTALL DRIP FLUSH VALVE AT LOW POINT OF EACH DRIP AREA



E DRIP EMITTER
NO SCALE

NOTE:
INSTALL (1) 2-GPH EMITTER PER SHRUB, PERENNIAL OR ORNAMENTAL GRASS

NOTE: LOCATE EMITTER ON BLDG OR FENCE SIDE OF PLANT.

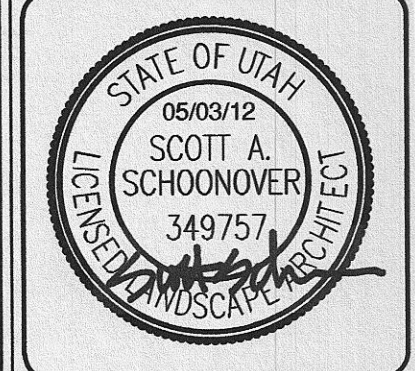


F DRIP EMITTER
NO SCALE

NOTE:
INSTALL (1) 2-GPH EMITTER PER SHRUB, PERENNIAL OR ORNAMENTAL GRASS

NOTE: ON SLOPES, LOCATE EMITTER ON THE UPHILL SIDE OF PLANT OR TREE.

McNEIL GROUP
Designing for the Future Since 1983
8610 So. Sandy Parkway, Suite 200 Sandy, Utah 84070
TEL. (801) 255-7000 FAX. (801) 255-8071
E-MAIL: info@mcneileng.com WEB SITE: AT WWW.MCNEIL-GRP.COM



WEST WEBER 1, 2
The Church of Jesus Christ of Latter-Day Saints
4080 WEST 900 SOUTH
WEST WEBER, UTAH

REV	DATE	DESCRIPTION

PROJECT NO:	11358
CAD DWG. FILE:	11358-0ETLS.dwg
DRAWN BY:	NMD
PROPERTY NO:	502-2681
DESIGNED BY:	BE
FIELD CREW:	NMD
CHECKED BY:	SS
DATE:	MAY 2012

SHEET TITLE
IRRIGATION DETAILS

L5.03
SHEET 17 OF 17