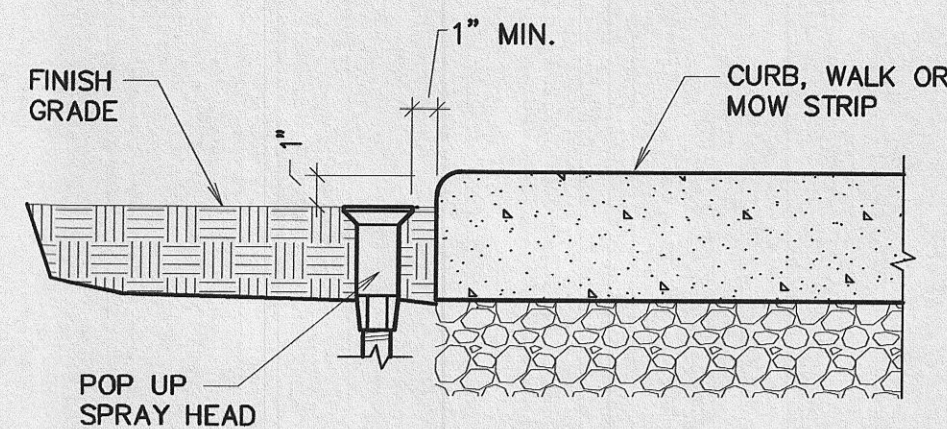
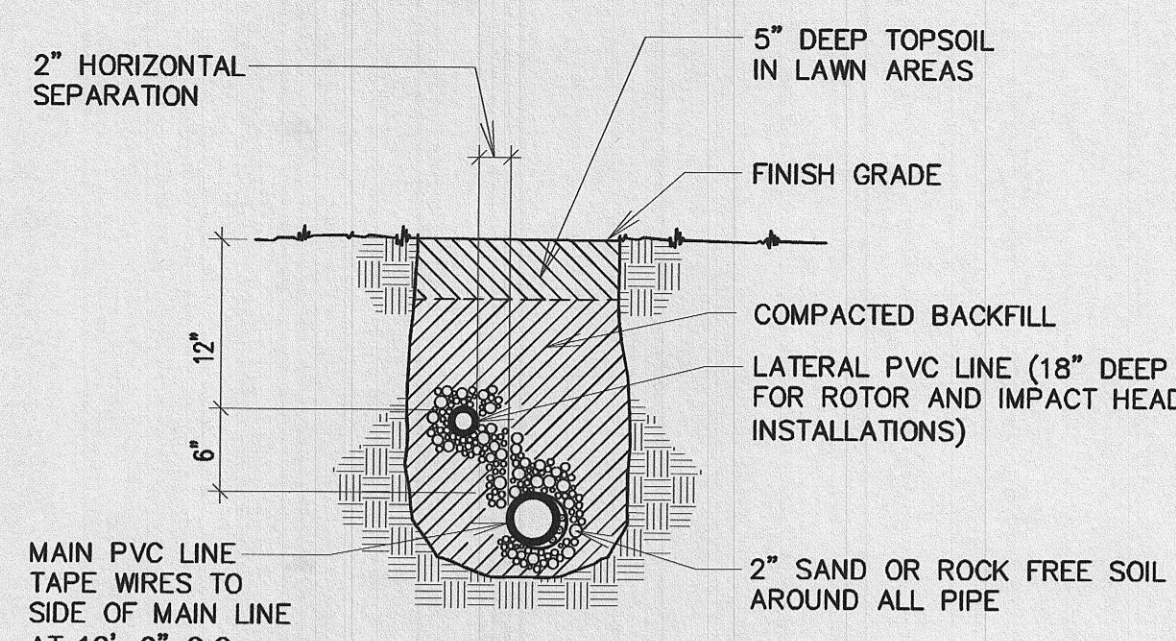


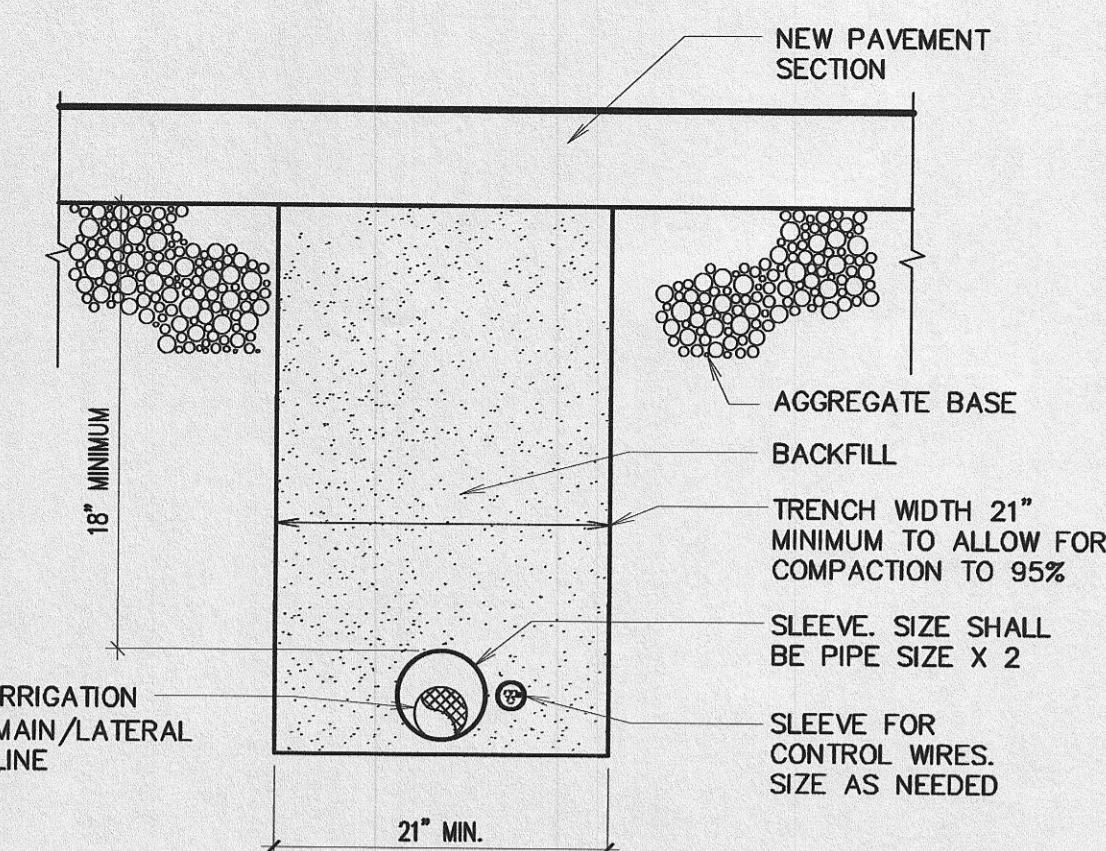
A SPRAY HEAD ASSEMBLY
NO SCALE



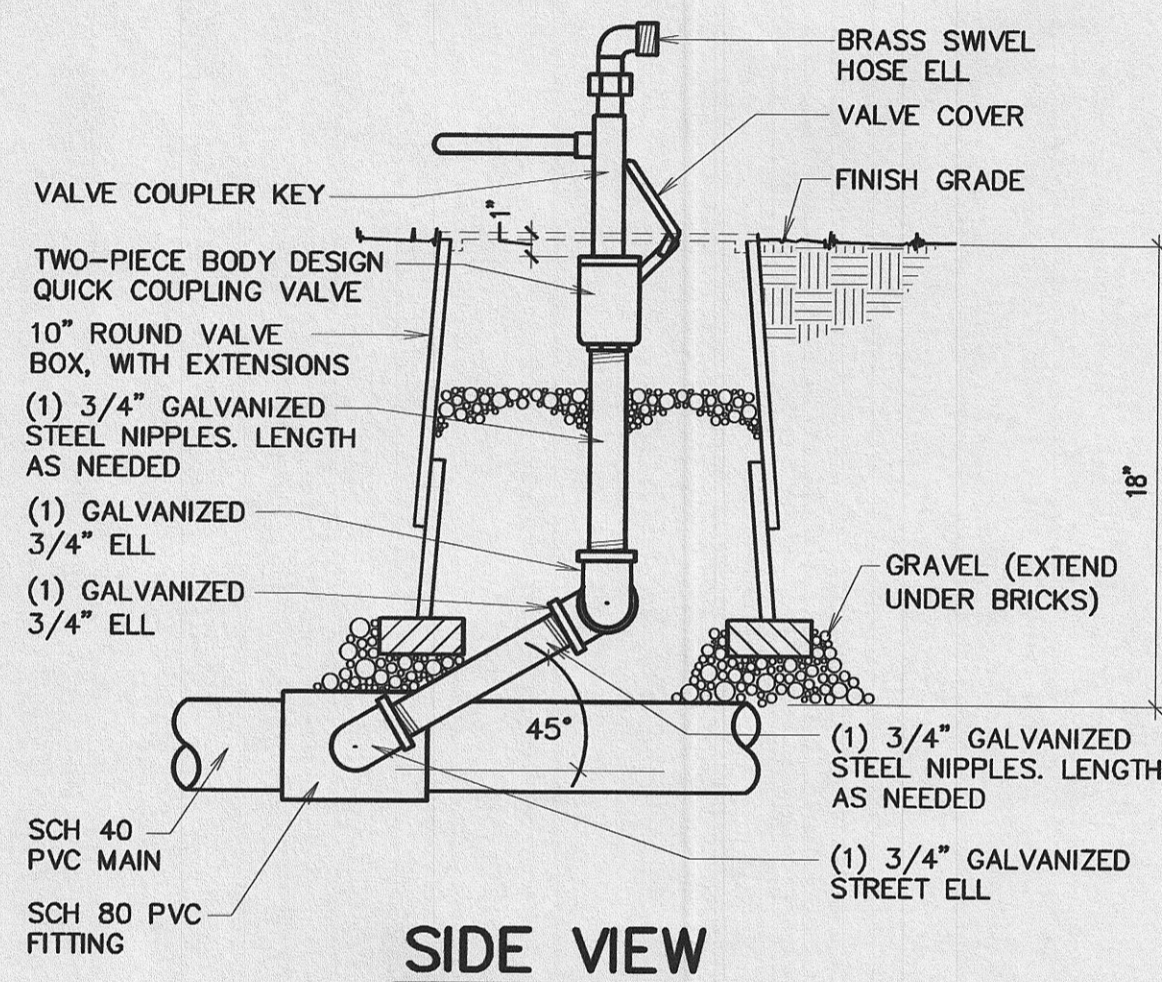
B SPRINKLER HEAD
NEXT TO CURB OR WALK
NO SCALE



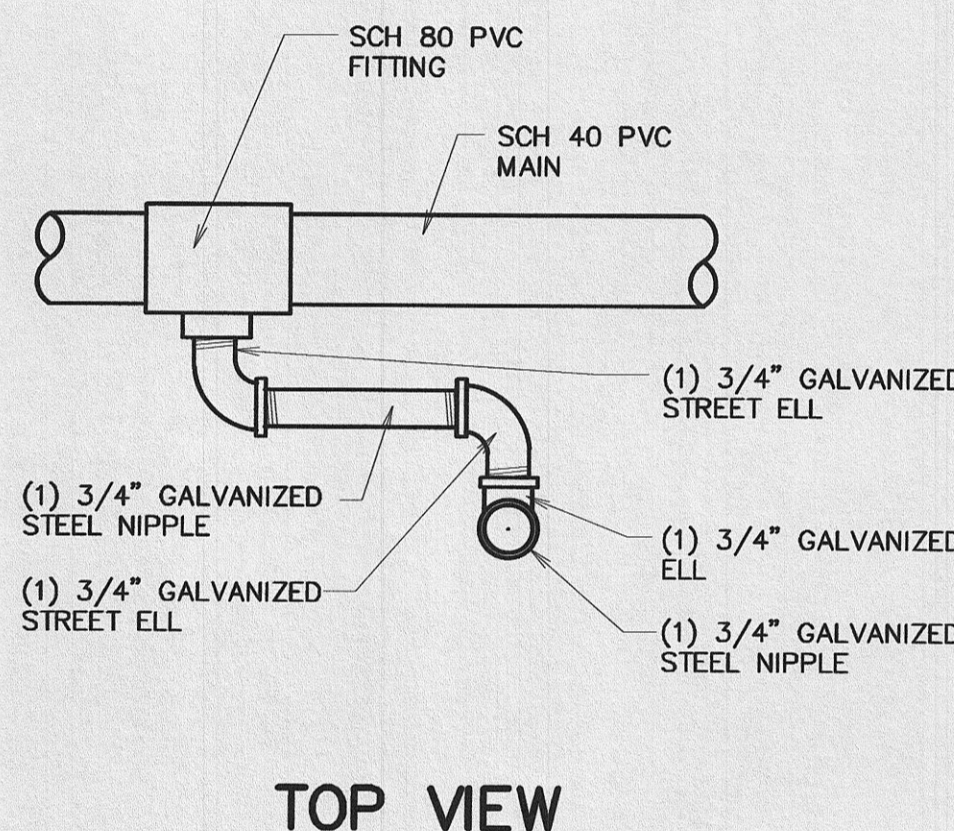
C TRENCH SECTION
NO SCALE



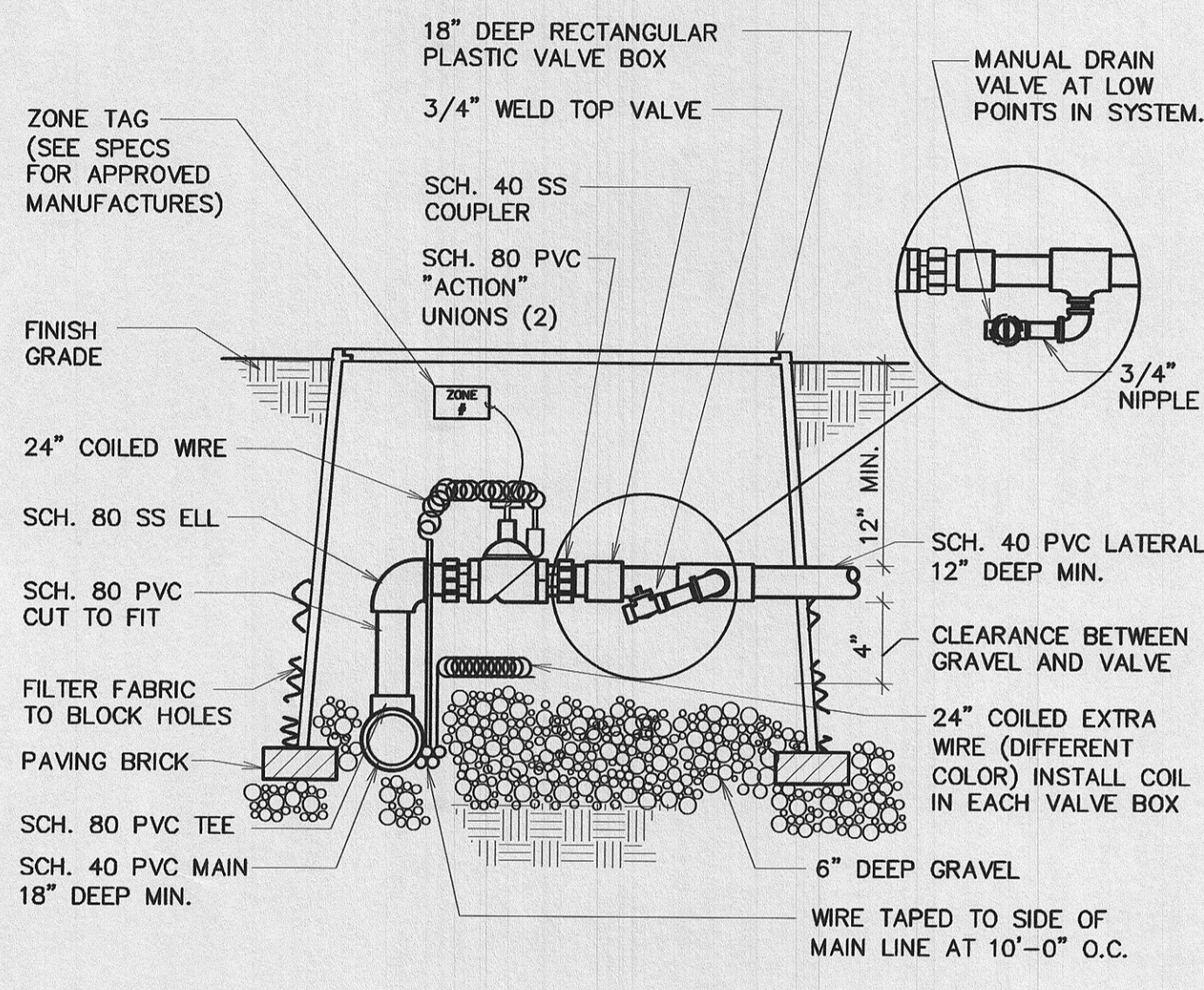
D PIPE TRENCH DETAIL
UNDER PAVEMENT AREAS
NO SCALE



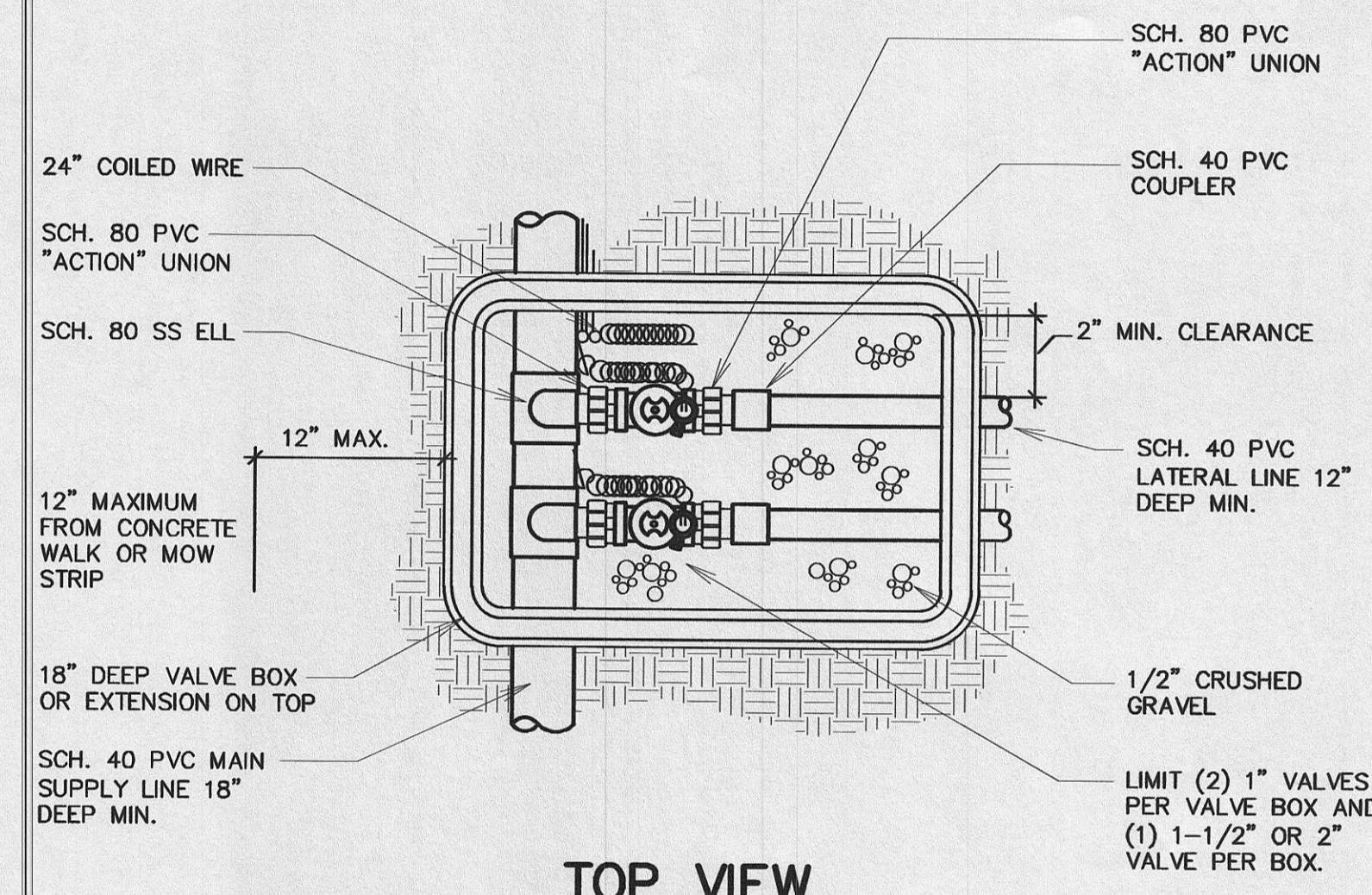
E QUICK COUPLING VALVE
NO SCALE



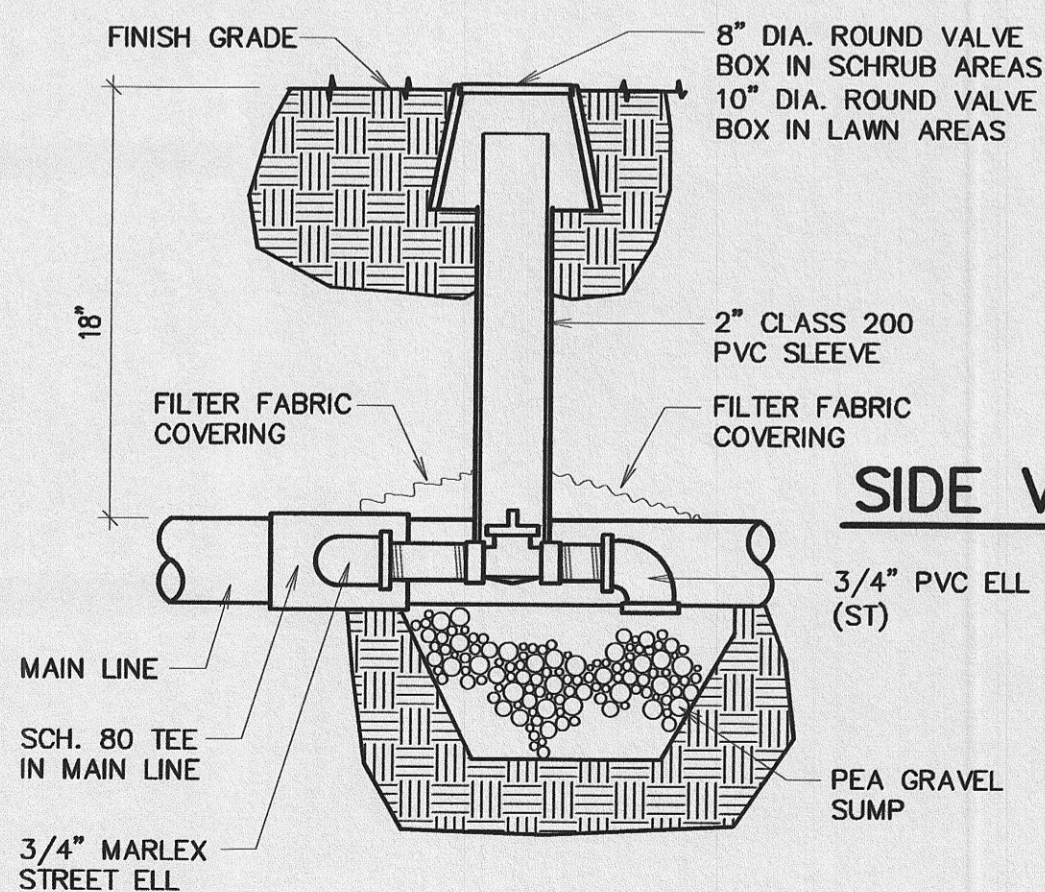
F AUTOMATIC VALVE WITH DRAIN
NO SCALE



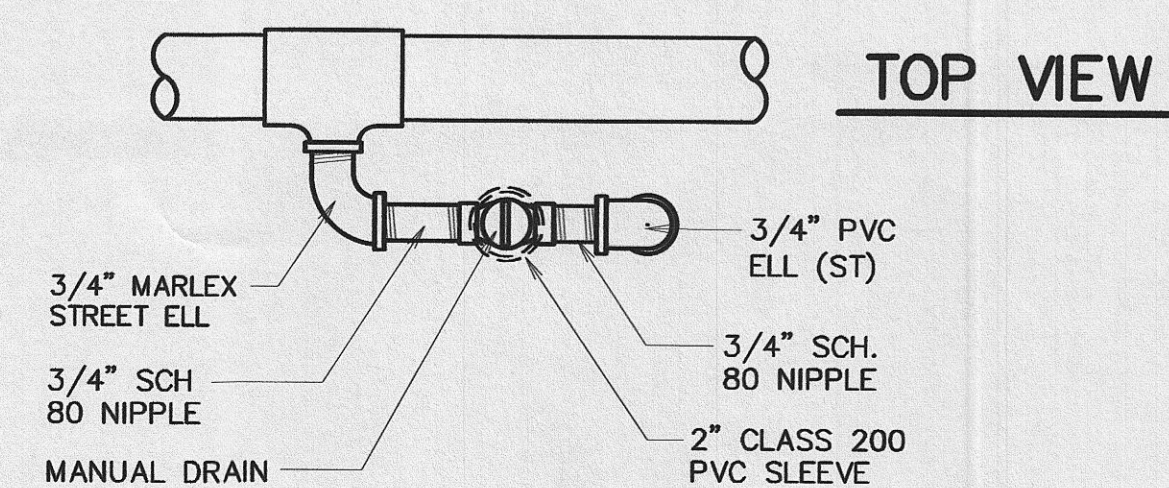
G MAINLINE MANUAL DRAIN VALVE
NO SCALE



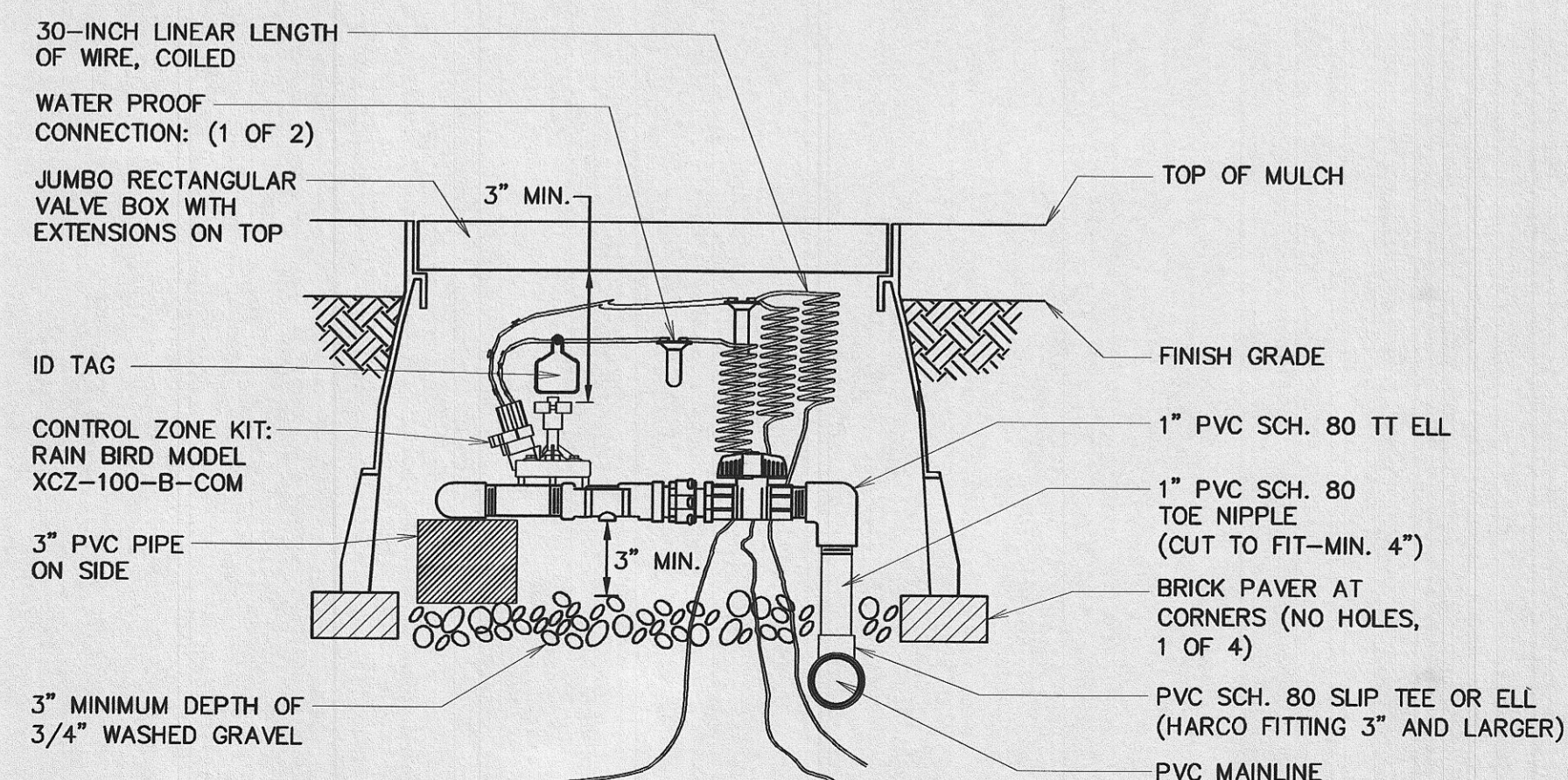
H DRIP CONTROL ZONE KIT
NO SCALE



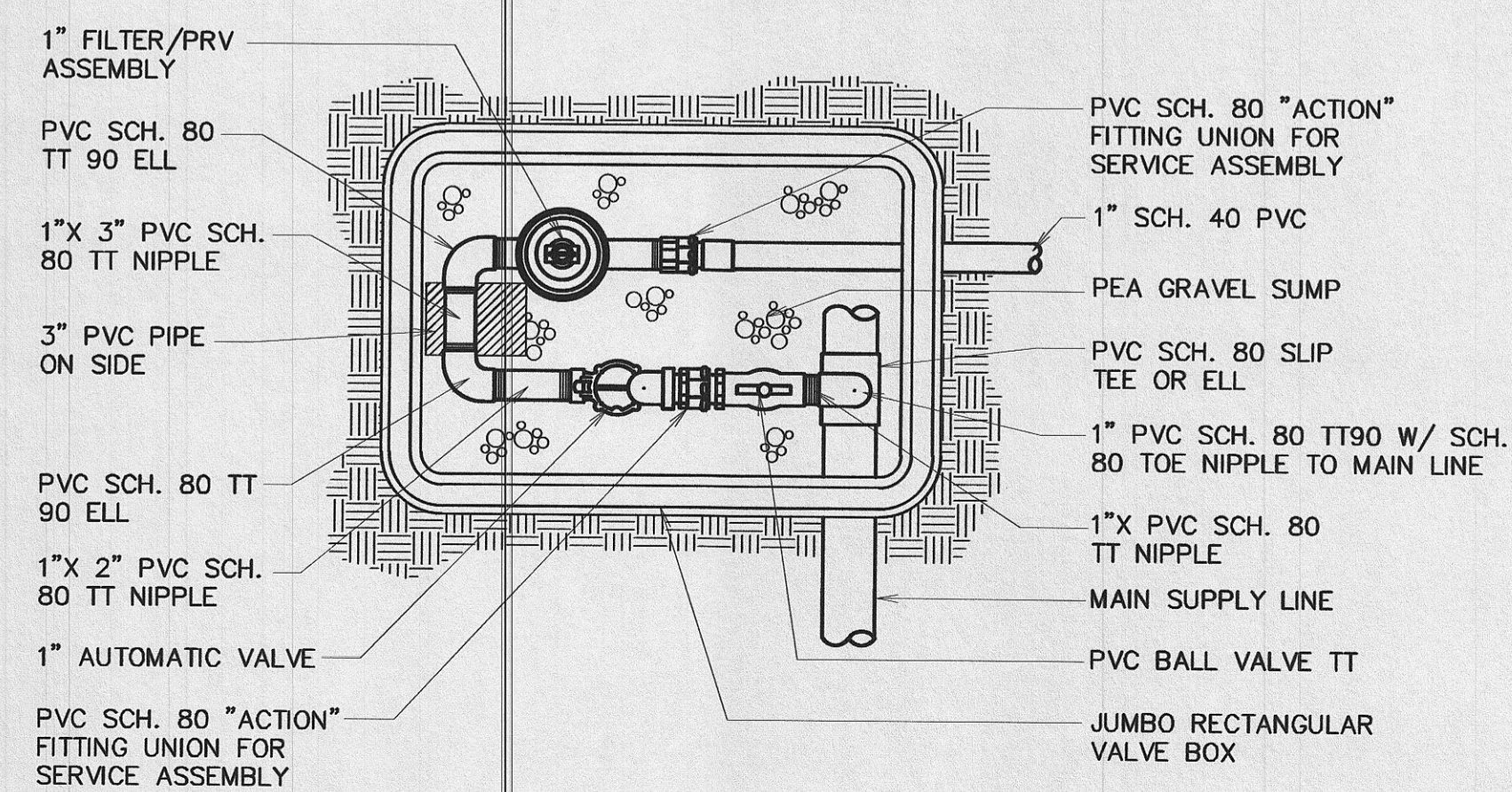
I MAINLINE MANUAL DRAIN VALVE
NO SCALE



J MAINLINE MANUAL DRAIN VALVE
NO SCALE



K DRIP CONTROL ZONE KIT
NO SCALE



L DRIP CONTROL ZONE KIT
NO SCALE

McNEIL GROUP
 Designing for the Future Since 1983™
 8610 So. Sandy Parkway, Suite 200 Sandy, Utah 84070
 TEL: (801) 255-7700 FAX: (801) 255-8071
 E-MAIL: info@mcneileng.com WEB SITE: AT WWW.MCNEIL-GRP.COM

STATE OF UTAH
 05/03/12
 SCOTT A. SCHOONOVER
 349757
 ARCHITECT

WEST WEBER 1, 2
 The Church of Jesus Christ of Latter-Day Saints
 4080 WEST 900 SOUTH
 WEST WEBER, UTAH

REVISIONS	DESCRIPTION
REV	DATE

PROJECT NO: 11358
 CAD DWG FILE: 11358-DETL5.dwg
 DRAWN BY: NMD
 PROPERTY NO: 502-2681
 DESIGNED BY: BE
 FIELD CREW: NMD
 CHECKED BY: SS
 DATE: MAY 2012

SHEET TITLE
IRRIGATION DETAILS

L5.02
 SHEET 16 OF 17

S:\2011Files\11358\Irrigation\Prod DWG\11358-DETL5.dwg May 03, 2012 - 4:53pm
 MCNEIL ENGINEERING - SURVEYING, L.C.
 MCNEIL ENGINEERING STRUCTURAL, L.C.
 MCNEIL ASPEN CONSULTANTS, L.C.
 MCNEIL ENGINEERING - CIVIL, L.C.