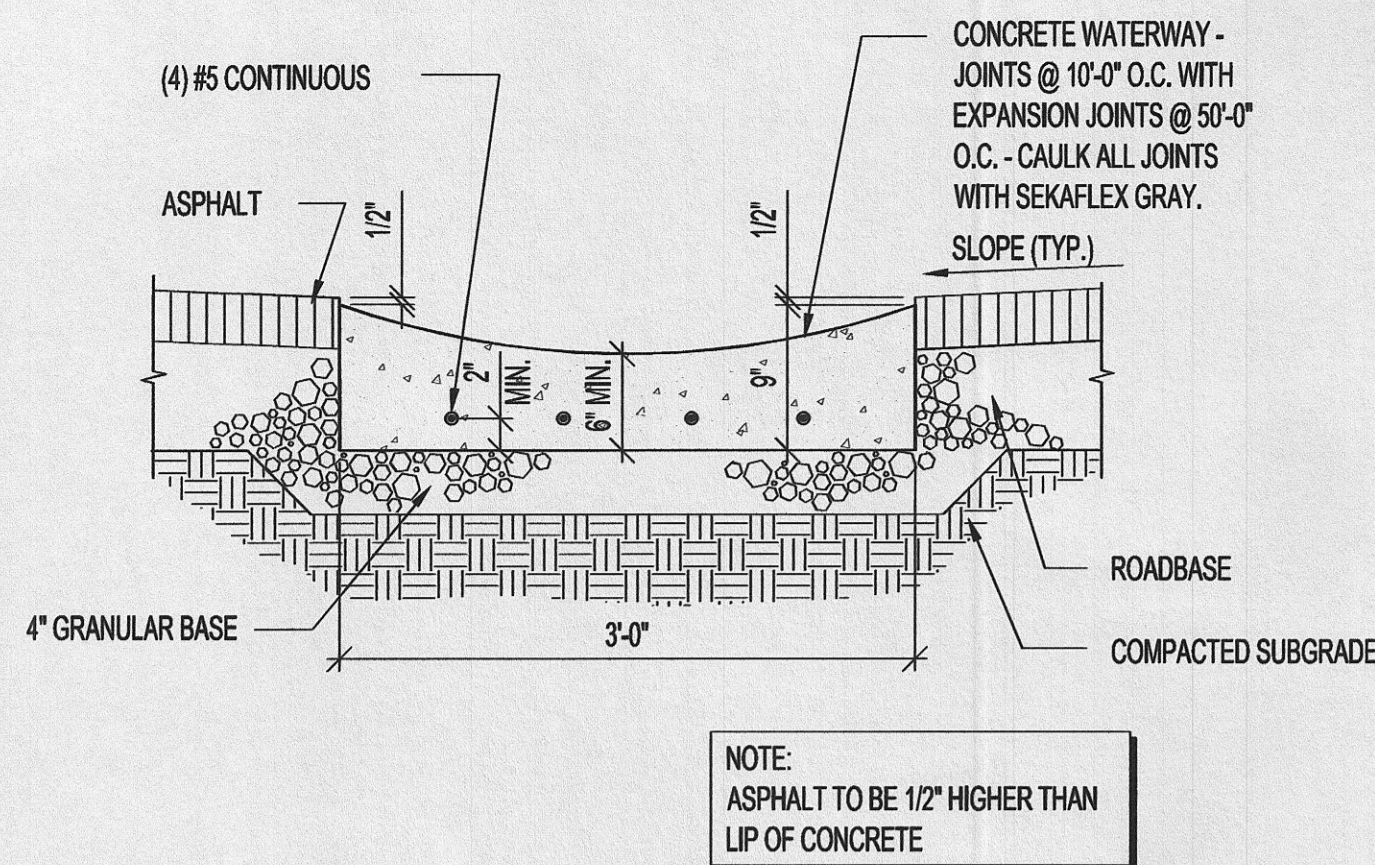


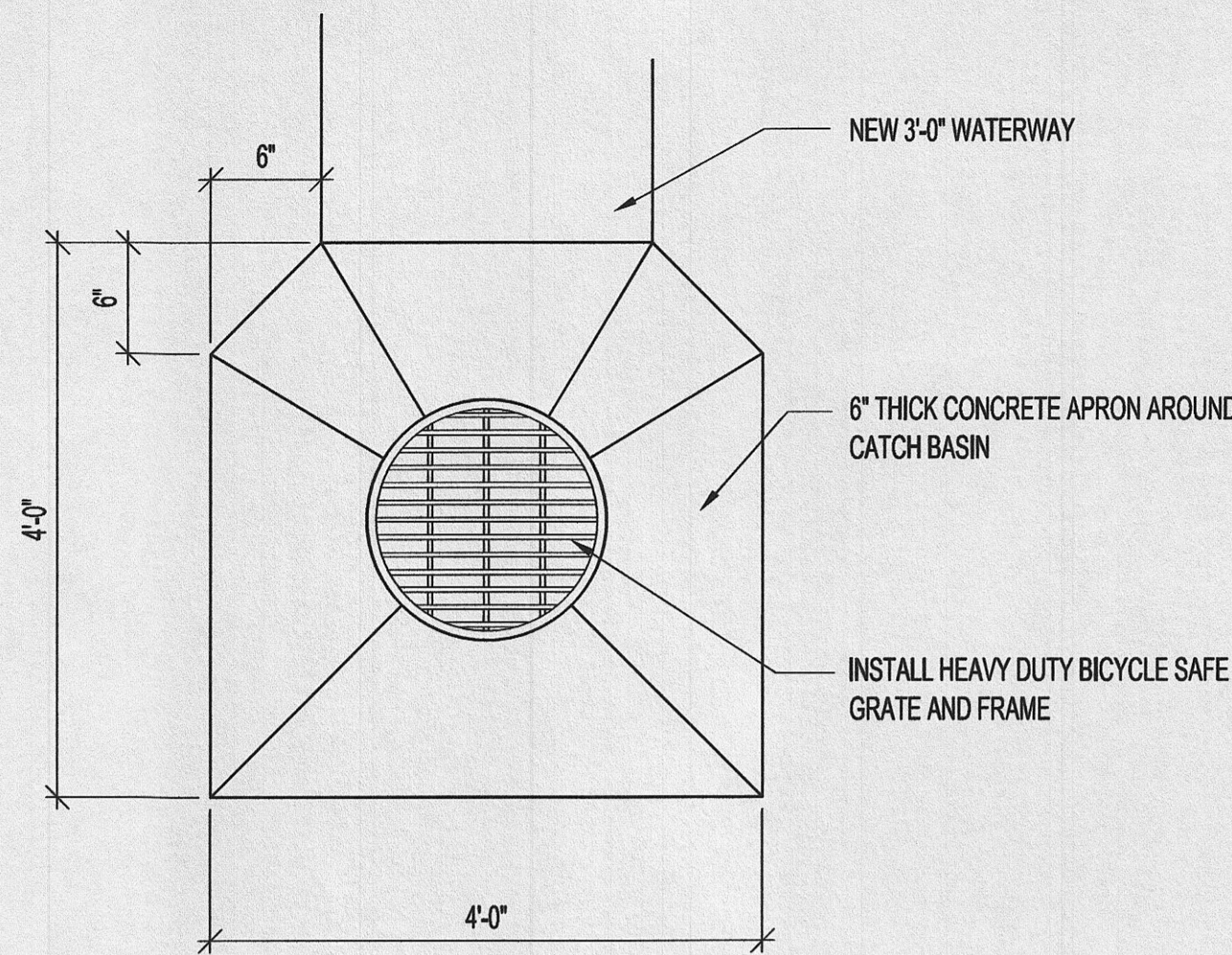
MCNEIL ENGINEERING - CIVIL, L.C. MCNEIL ASPEN CONSULTANTS, L.C. MCNEIL ENGINEERING STRUCTURAL, L.C. MCNEIL ENGINEERING - SURVEYING, L.C.



CONCRETE WATERWAY

SCALE: 1" = 1'-0"

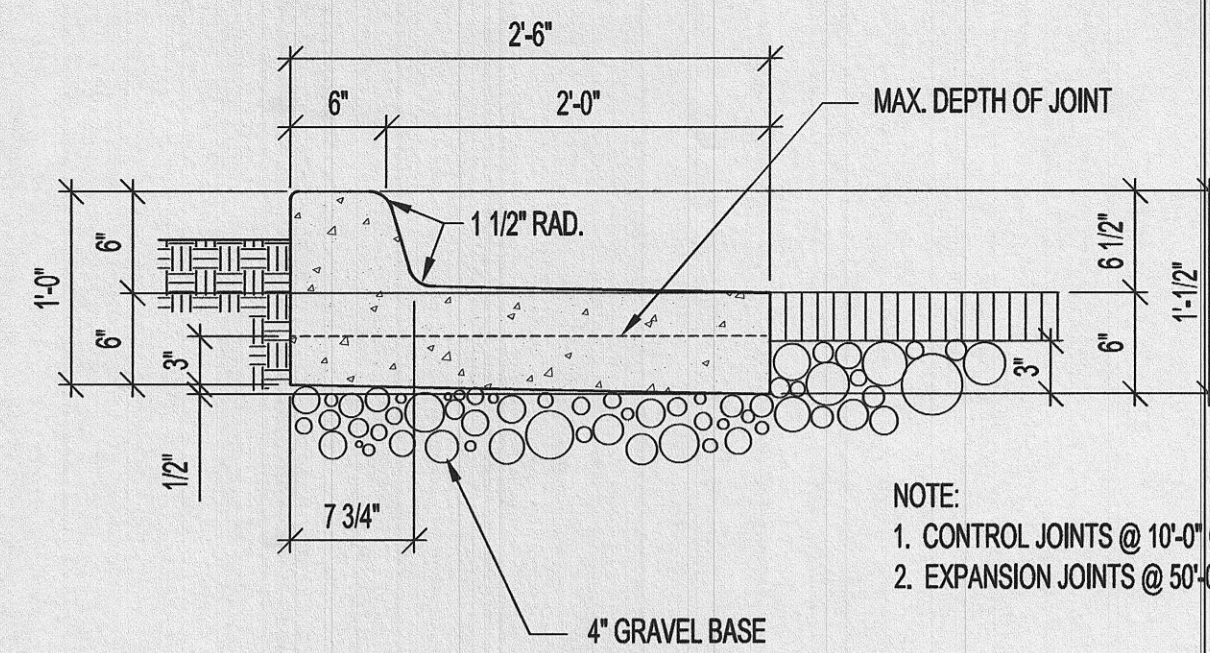
A



CATCH BASIN APRON - AT WATERWAY

SCALE: 3/4" = 1'-0"

B



RELEASE CURB & GUTTER

SCALE: 1" = 1'-0"

C



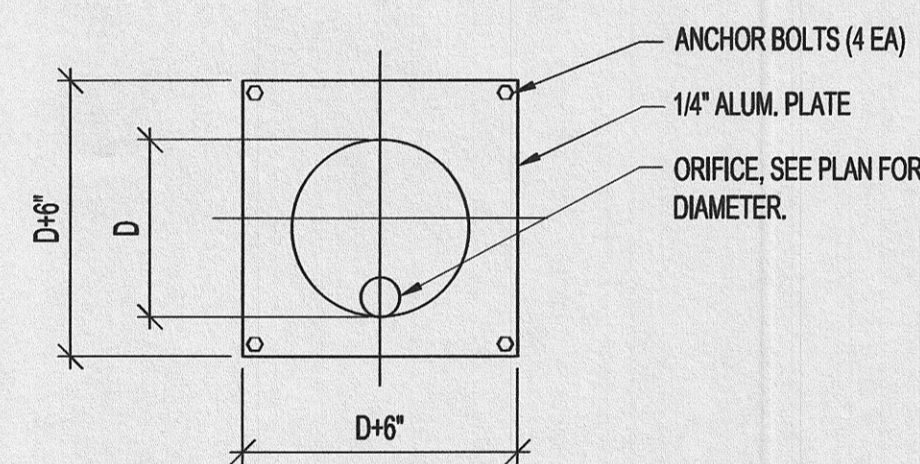
ADA STRIPING SYMBOL

SCALE: N.T.S

D

PAINTED EMBLEM ON ASPHALT PAVING TYP. AT ALL ADA PARKING STALLS PER CITY REQUIREMENTS. (2 COATS)

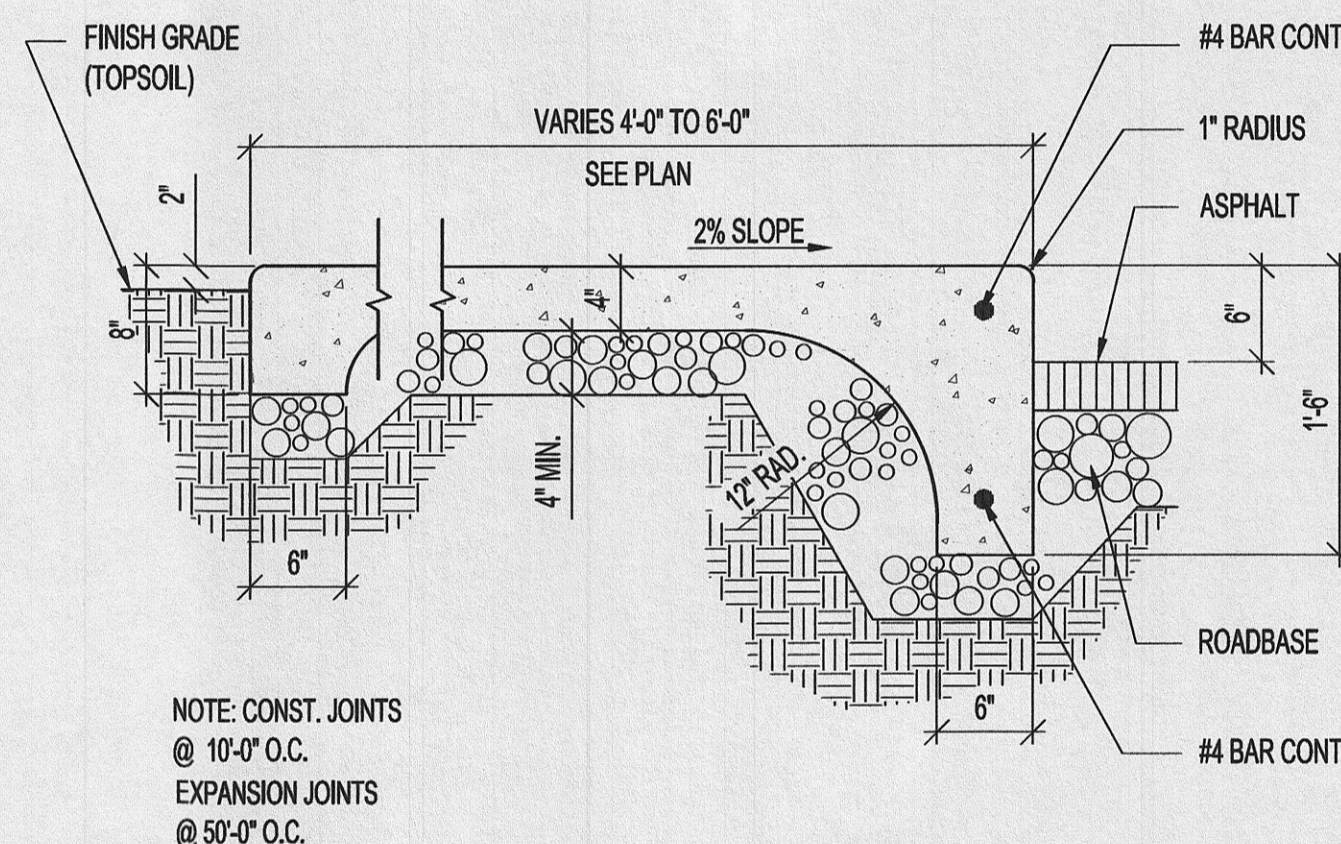
NOTE: SEE SPECIFICATION FOR PAINT TYPE AND COLOR. (2 COATS)



ORFICE RESTRICTOR

SCALE: N.T.S.

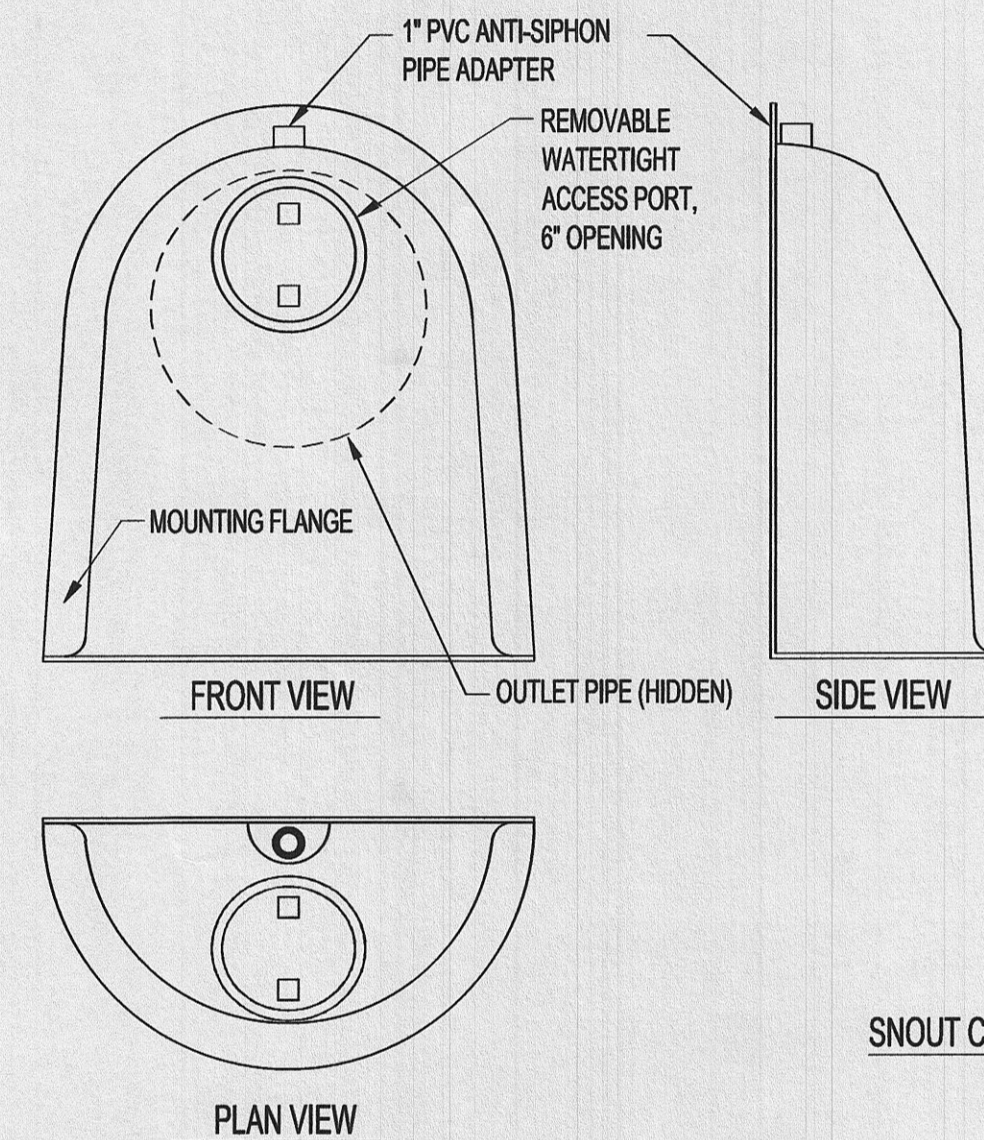
E



INTEGRAL WALK & CURB

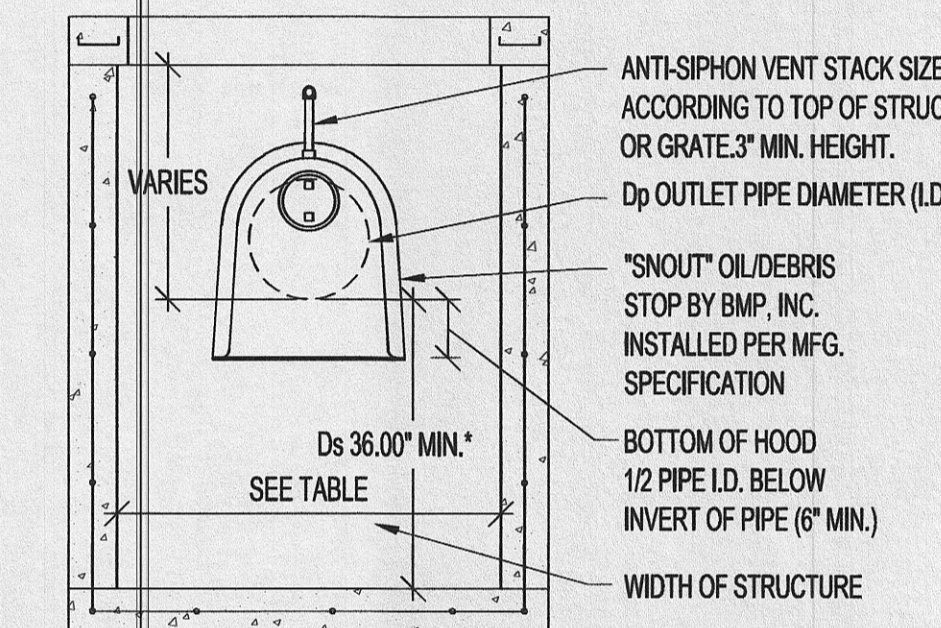
SCALE: 1" = 1'-0"

F



SNOUT OIL-WATER-DEBRIS SEPARATOR

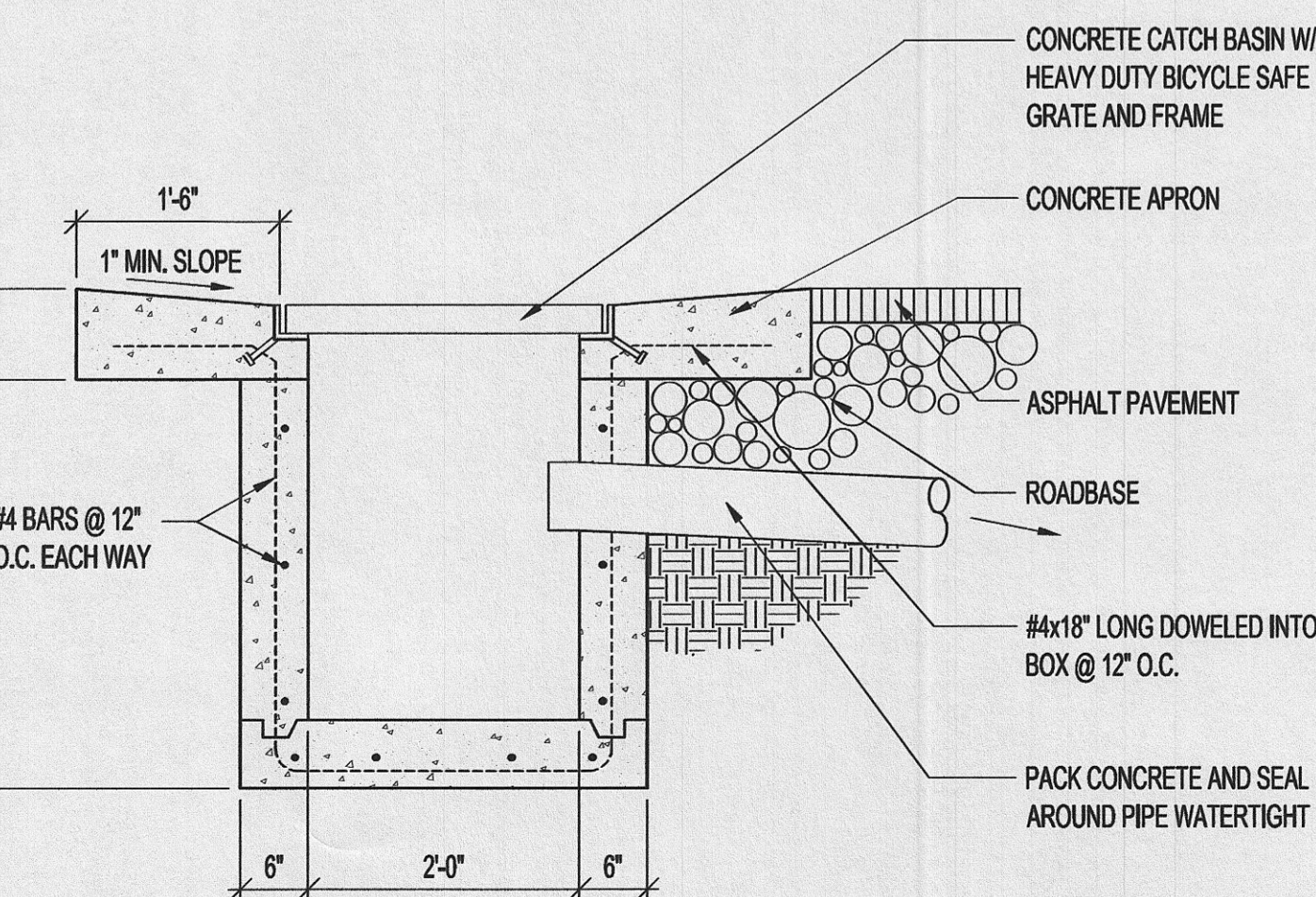
SCALE: N.T.S.



SIZING EXAMPLES:

OUTLET HOLE SIZE	SNOUT SIZE	STRUCTURE SIZE
11.9" O.D. OR LESS	12 F or R	R FITS 36"-48" DIAM STRUCTURE
12.0"-17.9" O.D.	18 F or R	R FITS 48"-60" DIAM STRUCTURE
18.0"-23.9" O.D.	24 F or R	R FITS 48"-60" DIAM STRUCTURE
24.0"-29.9" O.D.	30 F or R	R FITS 60"-72" DIAM STRUCTURE
30.0"-47.9" O.D.	48 F	
30.0"-53.9" O.D.	54R/72	FITS 72" DIAM STRUCTURE ONLY
48.0"-95.9" O.D.	96 F	

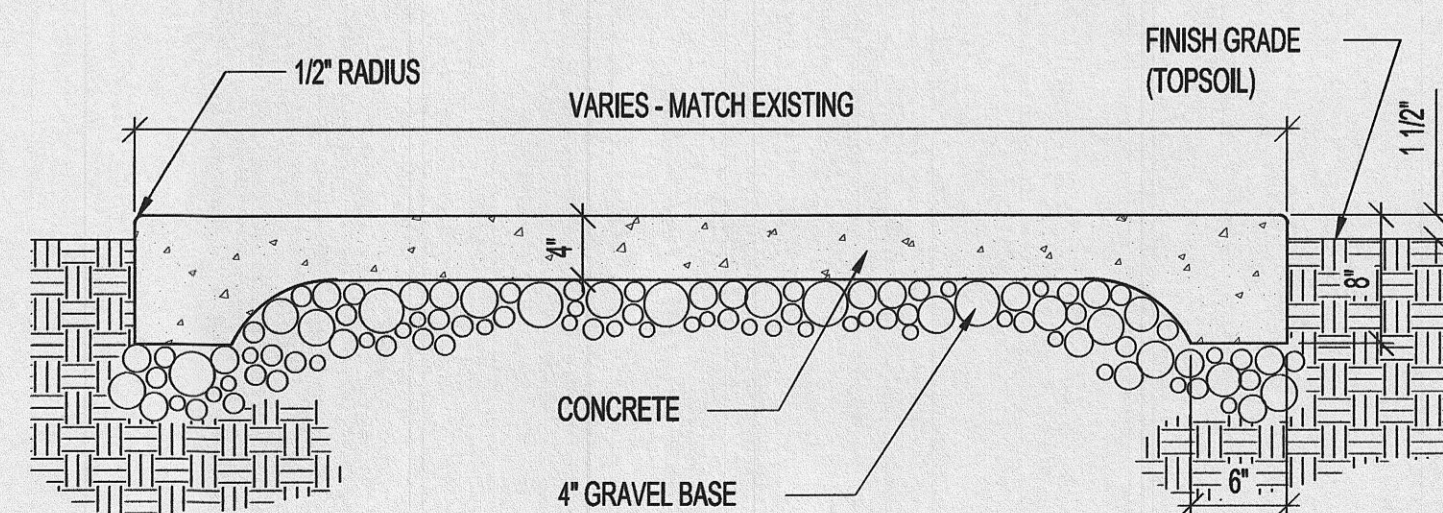
NOTE: USE ONLY "F" SERIES SNOUTS FOR RECTANGULAR OR SQUARE STRUCTURES, AVAILABLE IN 12", 18", 24", 30", 48", AND 96" SIZES. USE ONLY "R" SERIES SNOUTS FOR ROUND STRUCTURES, AVAILABLE IN 12", 18", 24", 30", AND 54" SIZES.



CATCH BASIN DETAIL

SCALE: 3/4" = 1'-0"

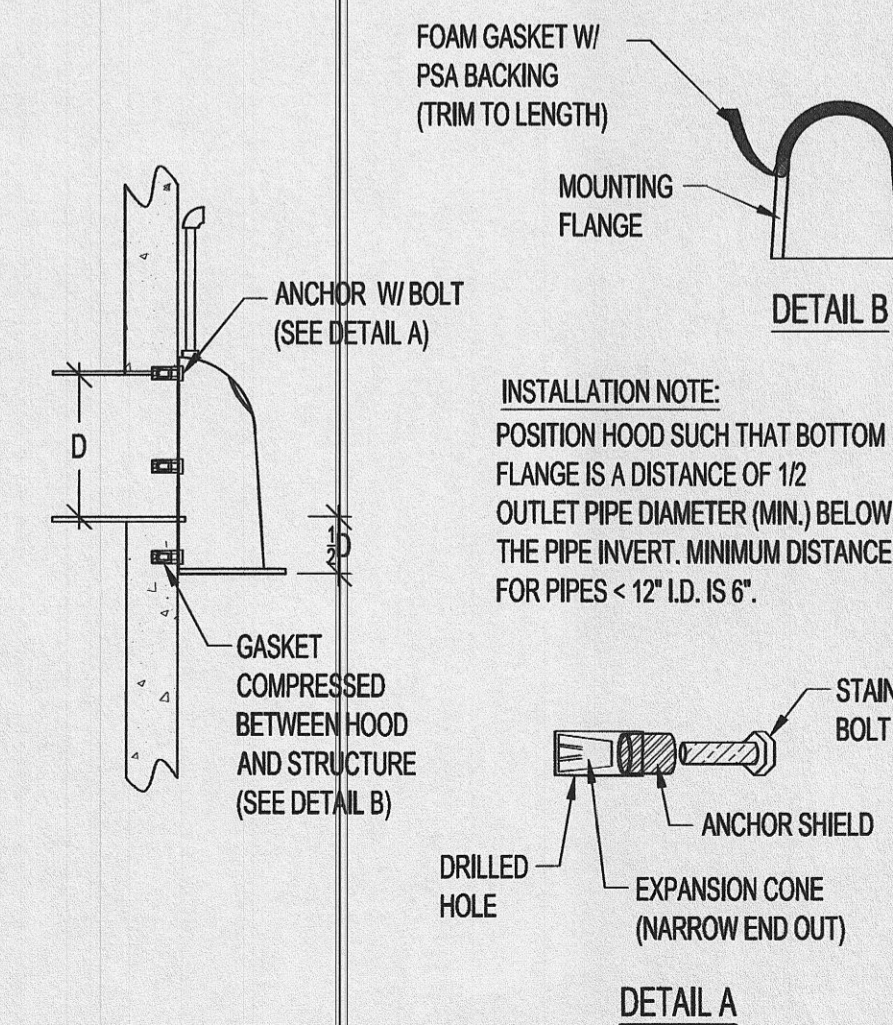
G



SIDEWALK DETAIL

SCALE: 1" = 1'-0"

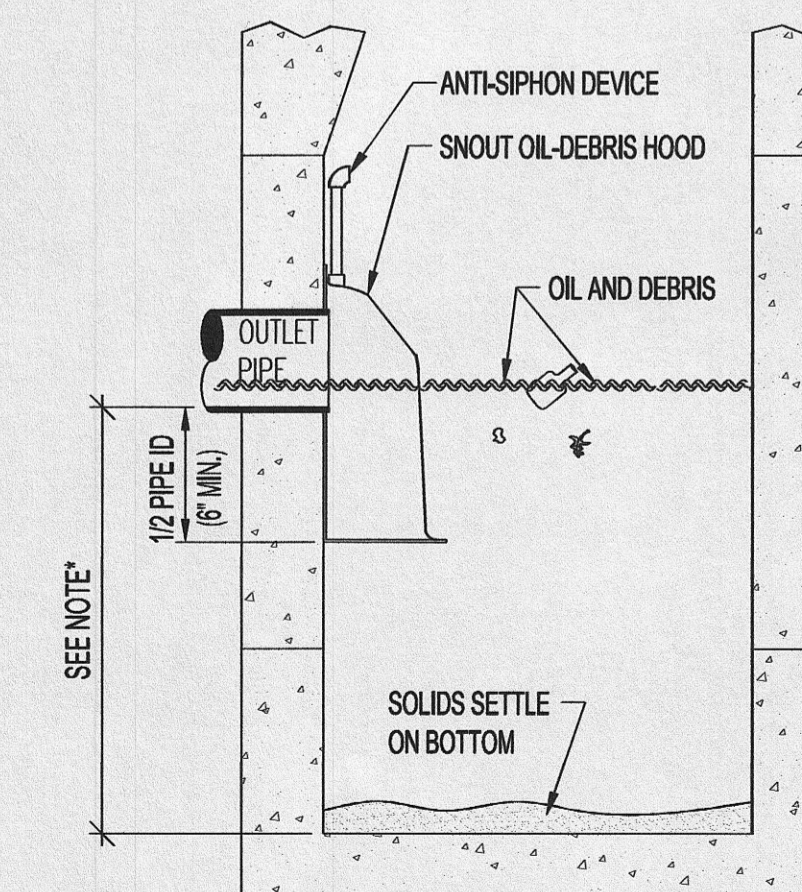
H



SNOUT OIL-WATER-DEBRIS SEPARATOR

SCALE: N.T.S.

J

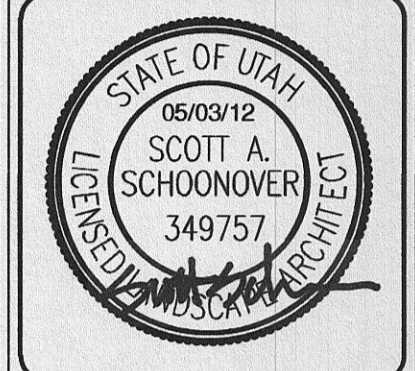


NOTE: SUMP DEPTH OF 36" MIN. FOR < OR = 12" DIA. OUTLET. FOR OUTLETS > OR = 15", DEPTH = 2.5 TO 3 X'S DIAM.

TYPICAL INSTALLATION

HOOD SPECIFICATION FOR CATCH BASINS AND WATER QUALITY STRUCTURES		
DESCRIPTION	DATE	SCALE
OIL-DEBRIS HOOD SPECIFICATION AND INSTALLATION (TYPICAL)	09/08/00	NONE
	DRAWING NUMBER	SP-SN

McNEIL GROUP
 Designing for the Future Since 1983™
 8610 So. Sandy Parkway, Suite 200 Sandy, Utah 84070
 TEL. (801) 255-7700 FAX. (801) 255-8071
 E-MAIL: info@mcneileng.com WEB SITE: AT www.mcneil-group.com



WEST WEBER 1, 2, 3, & OGDEN UTAH WEBER NORTH STAKE
 4080 WEST 900 SOUTH
 WEST WEBER, UTAH

The Church of Jesus Christ of Latter-Day Saints

REVISIONS	DESCRIPTION	KEY	DATE

PROJECT NO: 11358
 CAD DWG FILE: 11358-std.dwg
 DRAWN BY: NMD/MGS
 PROPERTY NO: 502-2681
 DESIGNED BY: NMD
 FIELD CREW: NMD/MGS
 CHECKED BY: RJD
 DATE: MAY 2012

SHEET TITLE
DETAIL SHEET
C5.01
 SHEET 11 OF 17