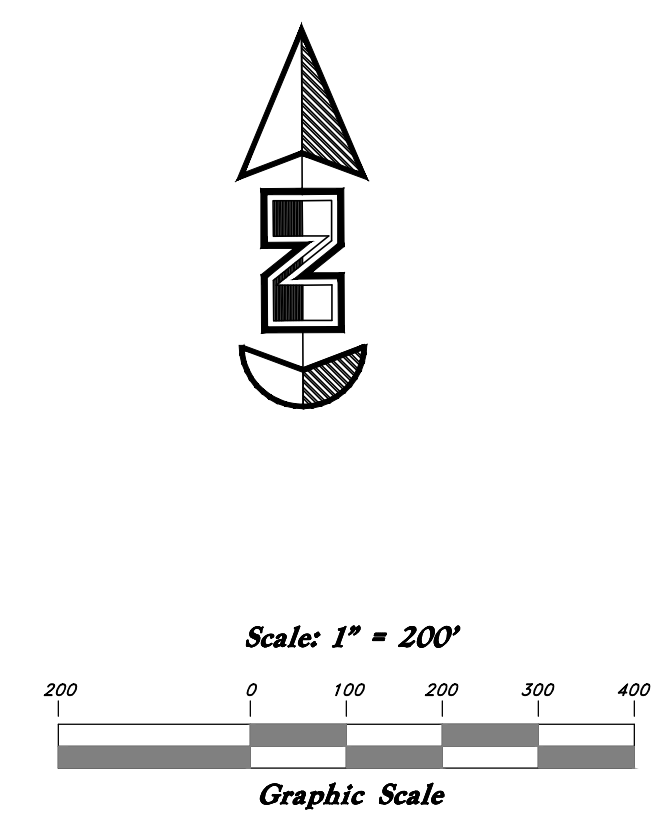


Sheet 3



Legend

- (Note: All items may not appear on drawing)
- San. Sewer Manhole
 - Water Manhole
 - Storm Drain Manhole
 - Electrical Manhole
 - Catch Basins
 - Exist. Fire Hydrant
 - Fire Hydrant
 - Exist. Water Valve
 - Water Valve
 - Sanitary Sewer
 - Culinary Water
 - Gas Line
 - Irrigation Line
 - Storm Drain
 - Telephone Line
 - Secondary Waterline
 - Power Line
 - Fire Line
 - Land Drain
 - Power pole
 - Power pole w/guy
 - Light Pole
 - Fence
 - Flowline of ditch
 - Overhead Power line
 - Corrugated Metal Pipe
 - Concrete Pipe
 - Reinforced Concrete Pipe
 - Ductile Iron
 - Polyvinyl Chloride
 - Top of Asphalt
 - Edge of Asphalt
 - Centerline
 - Flowline
 - Finish Floor
 - Top of Curb
 - Top of Wall
 - Top of Walk
 - Top of Concrete
 - Natural Ground
 - Finish Contour
 - Exist. Contour
 - Finish Grade
 - Exist. Grade
 - Ridge Line
 - Direction of Flow
 - Existing Asphalt
 - New Asphalt
 - Heavy Duty Asphalt
 - Concrete
 - Open Face
 - Curb & Gutter

REV	DATE	DESCRIPTION

GREAT BASIN ENGINEERING

5746 SOUTH 1475 EAST, SUITE 200, SALT LAKE CITY, UTAH 84143
 WWW.GREATBASINENGINEERING.COM

Key Map

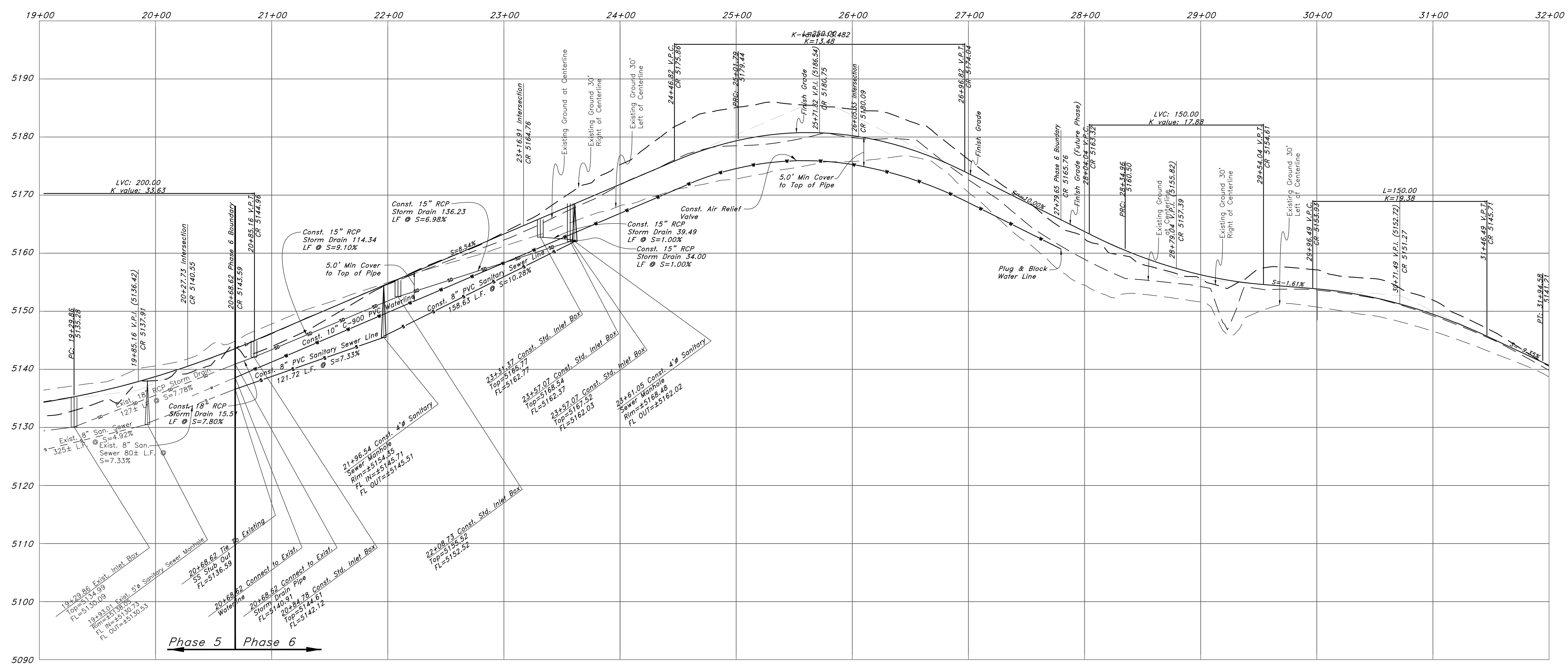
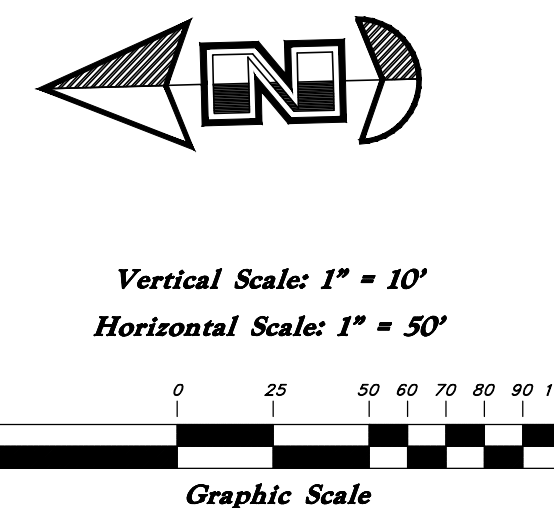
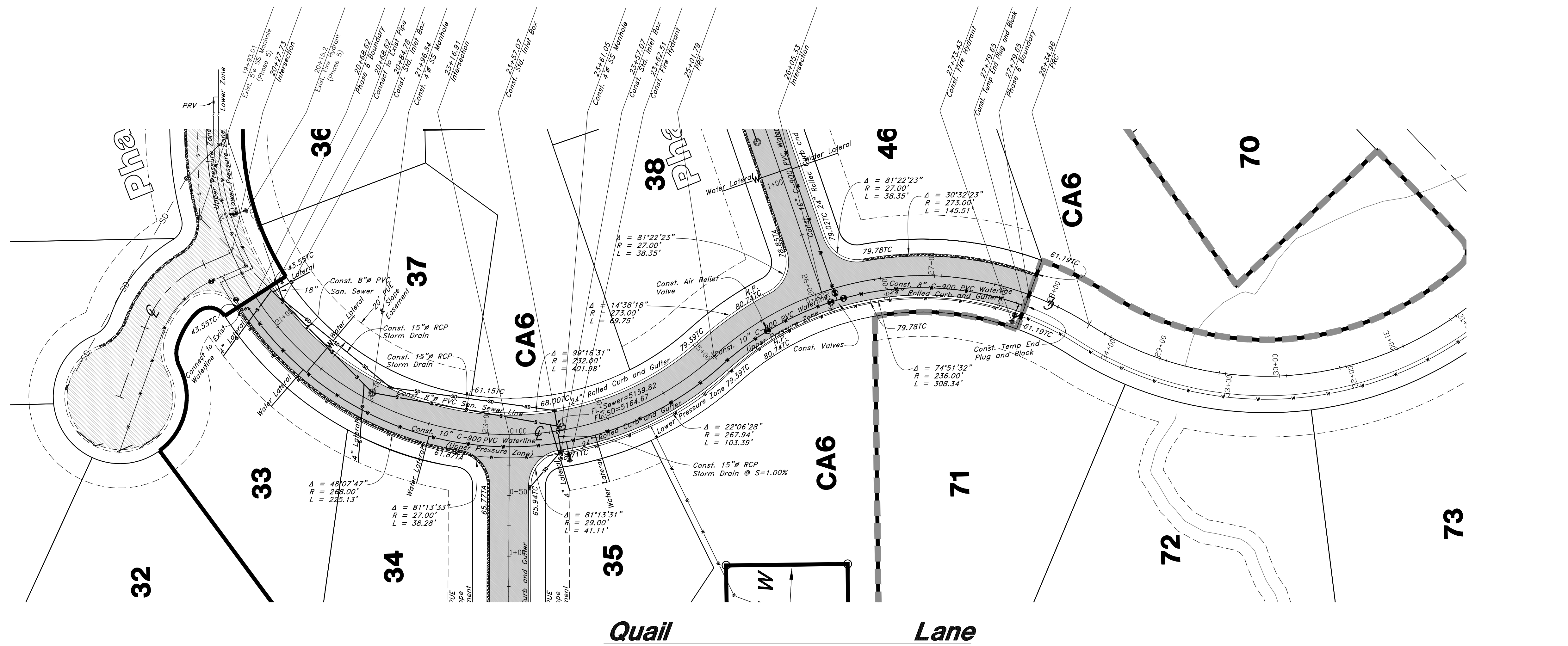
The Chalets at Ski Lake No. 6
 A part of the Southwest 1/4 of Section 13, a part of the Northeast 1/4 of Section 23, and a part of the Northwest 1/4 of Section 24, 1/4 of Section 23, T6N, R1E, SLB&M, U.S. Survey

Jan, 2012

SHEET NO.

KM

96N120 Waterline



Legend
(Note: All items may not appear on drawing)

San. Sewer Manhole	
Water Manhole	
Storm Drain Manhole	
Electrical Manhole	
Catch Basins	
Exist. Fire Hydrant	
Fire Hydrant	
Exist. Water Valve	
Water Valve	
Sanitary Sewer	
Culinary Water	
Gas Line	
Irrigation Line	
Storm Drain	
Telephone Line	
Secondary Waterline	
Power Line	
Fire Line	
Land Drain	
Power pole	
Power pole w/guy	
Light Pole	
Fence	
Flowline of ditch	
Overhead Power line	
Corrugated Metal Pipe	
CP	
Concrete Pipe	
Reinforced Concrete Pipe	
Ductile Iron	
PVC	
TA	
CA	
FC	
FF	
TC	
TWL	
NG	
90	
95.337A	
95.727A	
R	
Asphalt	
Direction of Flow	
Existing Asphalt	
New Asphalt	
Heavy Duty Asphalt	
Concrete	
Open Face	
Curb & Gutter	

REV	DATE	DESCRIPTION

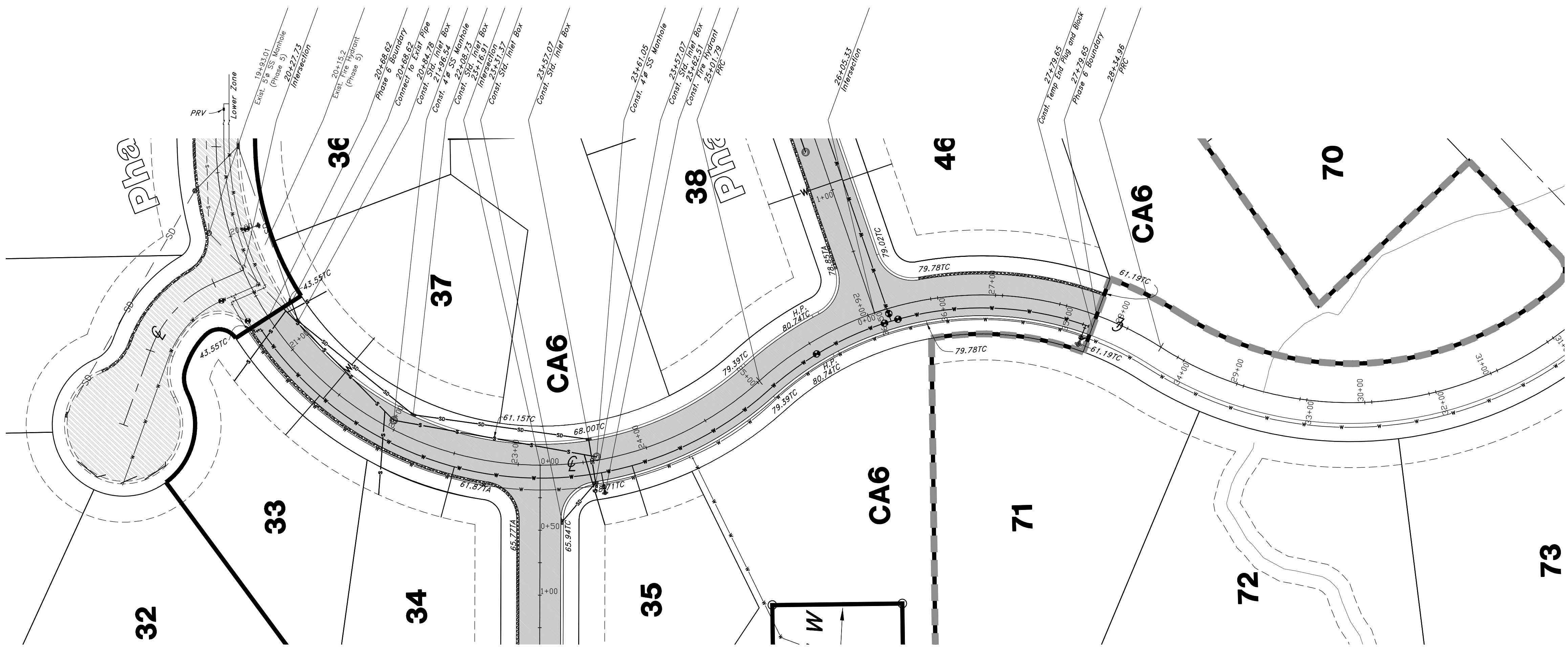
GREAT BASIN ENGINEERING

5746 SOUTH 1475 EAST, OGDEN, UTAH 84403
 4000 WEST 1500 SOUTH, SALT LAKE CITY, UTAH 84119
 WWW.GREATBASINENGINEERING.COM

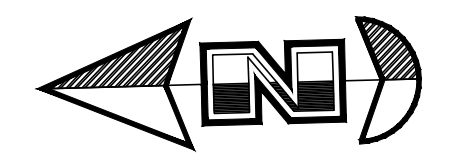
Plan / Profile (Utility)

The Chalets at Ski Lake No. 6
 A part of the Southwest 1/4 of Section 13, a part of the Northeast 1/4 of Section 23, and a part of the Northwest 1/4 of Section 24, T6N, R1E, S18&M, U.S. Survey

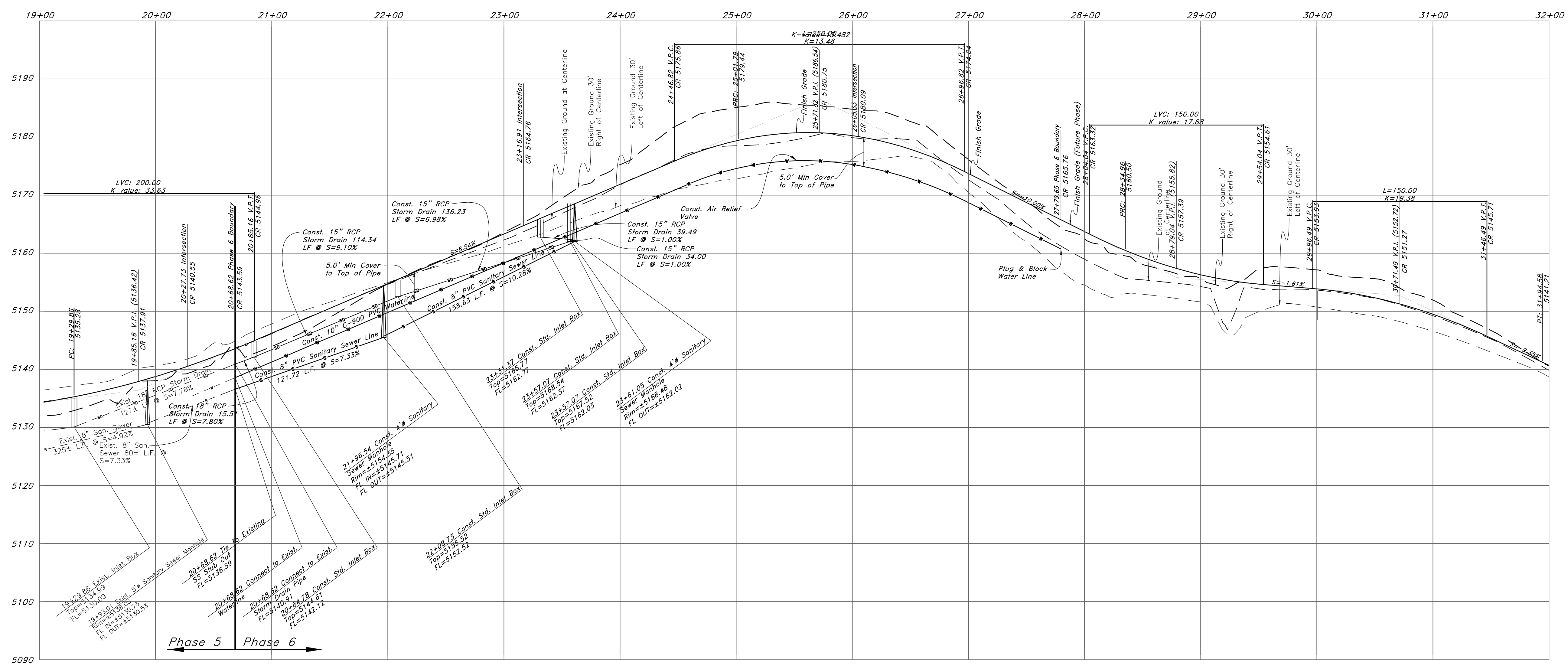
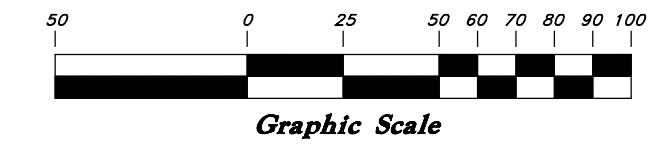
W:\96n120 - Chalets\dwg\Phase 6\96n120 ph6 PP1-11.dwg, 11/21/2012 8:38:55 AM, ryanb, 1:1



Benchmark: Monument at
Intersection of Quail Lane and
Meadow Lark Lane
Elevation: 5022.34



Vertical Scale: 1" = 10'
Horizontal Scale: 1" = 50'



Legend

(Note: All items may not appear on drawing)

- San. Sewer Manhole
- Water Manhole
- Storm Drain Manhole
- Electrical Manhole
- Catch Basins
- Exist. Fire Hydrant
- Fire Hydrant
- Exist. Water Valve
- Water Valve
- Sanitary Sewer
- Culinary Water
- Gas Line
- Irrigation Line
- Storm Drain
- Telephone Line
- Secondary Waterline
- Power Line
- Fire Line
- Land Drain
- Power pole
- Power pole w/guy
- Light Pole
- Fence
- Flowline of ditch
- Overhead Power line
- Corrugated Metal Pipe
- Concrete Pipe
- Reinforced Concrete Pipe
- Ductile Iron
- Polyvinyl Chloride
- Top of Asphalt
- Edge of Asphalt
- Centerline
- Flowline
- Finish Floor
- Top of Curb
- Top of Wall
- Top of Walk
- Top of Concrete
- Natural Ground
- Finish Contour
- Exist. Contour
- Finish Grade
- Exist. Grade
- Ridge Line
- Direction of Flow
- Existing Asphalt
- New Asphalt
- Heavy Duty Asphalt
- Concrete
- Open Face
- Curb & Gutter

REV	DATE	DESCRIPTION

GREAT BASIN ENGINEERING

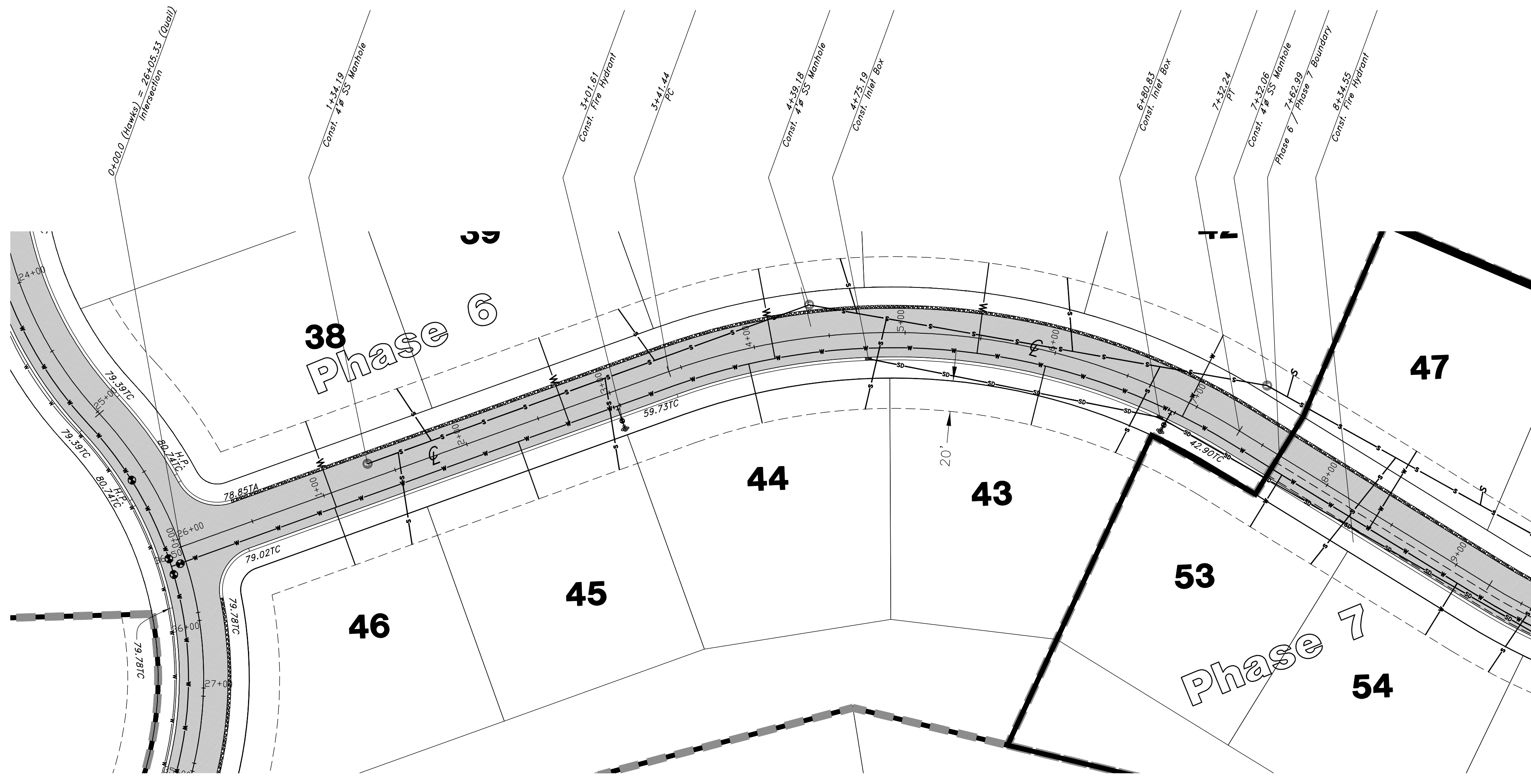
5746 SOUTH 1475 EAST, SDBEN, UTAH 84403
 4344 S. 1475 EAST, SDBEN, UTAH 84403
 WWW.GREATBASINENGINEERING.COM

Plan / Profile (Grading)

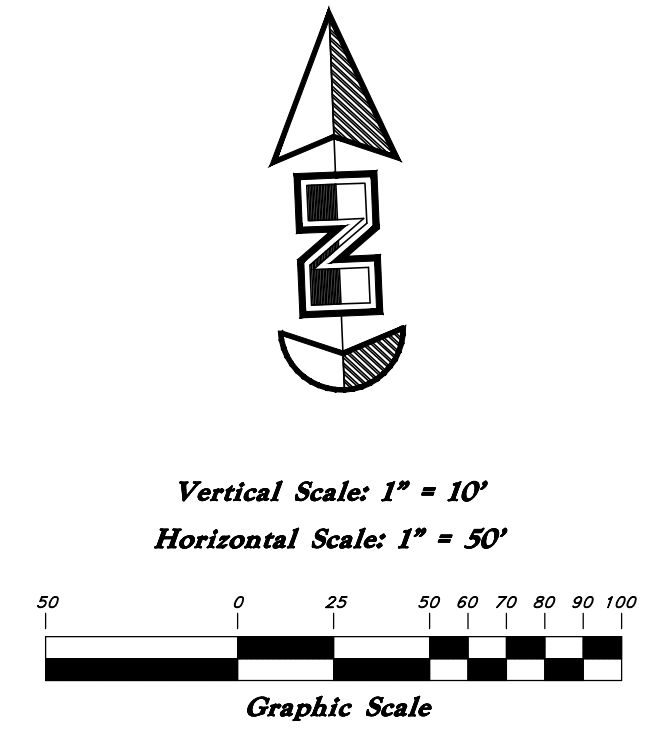
The Chalets at Ski Lake No. 6

A part of the Southwest 1/4 of Section 13, a part of the Northeast 1/4 of Section 23, and a part of the Northwest 1/4 of Section 24, T6N, R1E, S18&M, U.S. Survey

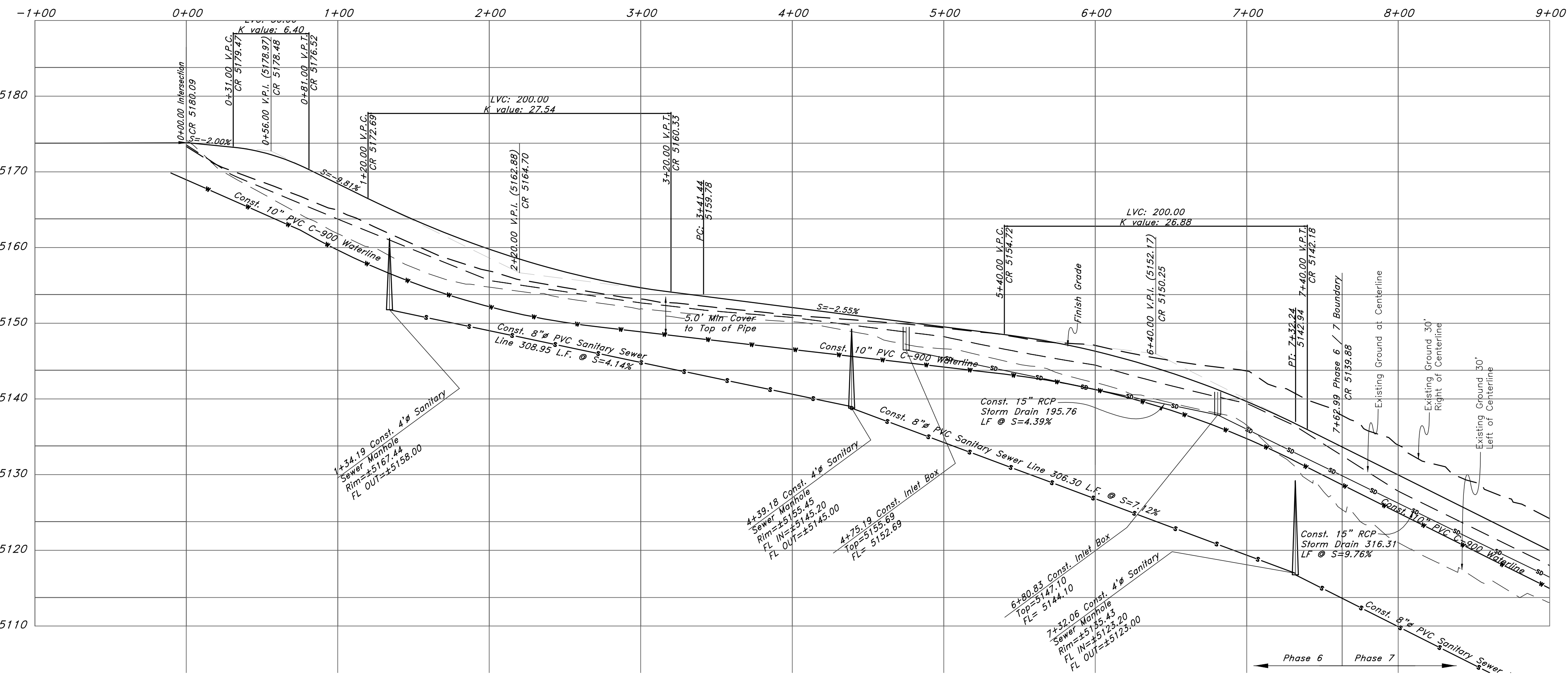
W:\96n120 - Chalets\dwg\Phase 6\96n120 ph6 PP1-11.dwg, 11/21/2012 8:39:10 AM, ryanb, 1:1



NOTE: TO PREVENT SOIL EROSION, PROTECT STEEP SLOPES WITH HYDROSEEDING OR EROSION CONTROL BLANKETS.



Hawks Lane



Legend

- (Note: All items may not appear on drawing)
- San. Sewer Manhole
 - Catch Basins
 - Water Manhole
 - Storm Drain Manhole
 - Electrical Manhole
 - Exist. Fire Hydrant
 - Fire Hydrant
 - Exist. Water Valve
 - Water Valve
 - Sanitary Sewer
 - Culinary Water
 - Gas Line
 - Irrigation Line
 - Storm Drain
 - Telephone Line
 - Secondary Waterline
 - Power Line
 - Fire Line
 - Land Drain
 - Power pole w/guy
 - Light Pole
 - Fence
 - Flowline of ditch
 - Overhead Power line
 - Corrugated Metal Pipe
 - Concrete Pipe
 - Reinforced Concrete Pipe
 - Ductile Iron
 - Polyvinyl Chloride
 - Top of Asphalt
 - Edge of Asphalt
 - Centerline
 - Finish Floor
 - Top of Curb
 - Top of Wall
 - Top of Walk
 - Top of Concrete
 - Natural Ground
 - Finish Contour
 - Exist. Contour
 - Finish Grade
 - Exist. Grade
 - Ridge Line
 - Direction of Flow
 - Existing Asphalt
 - New Asphalt
 - Heavy Duty Asphalt
 - Concrete
 - Open Face Curb & Gutter

REV	DATE	DESCRIPTION

GREAT BASIN ENGINEERING

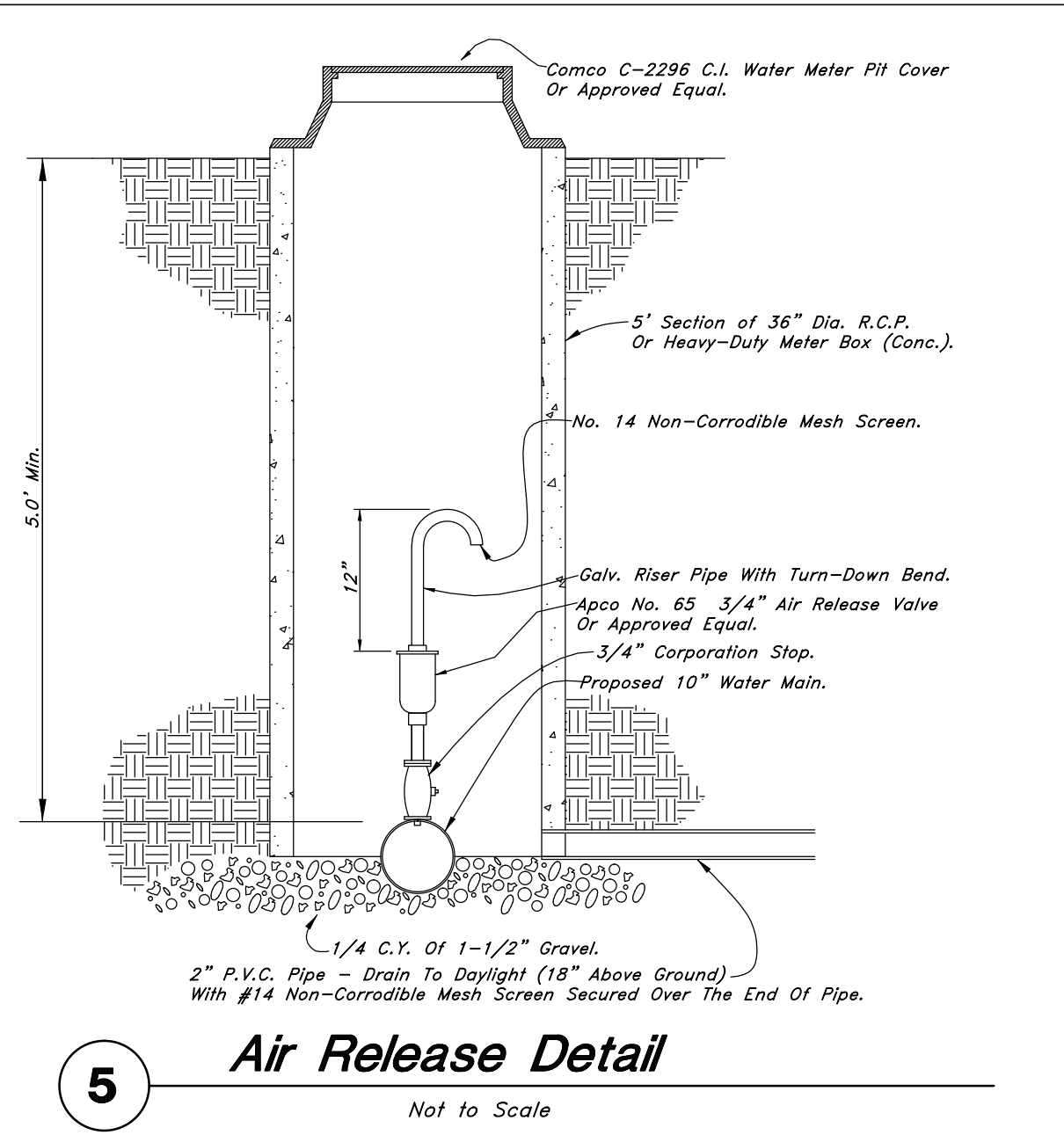
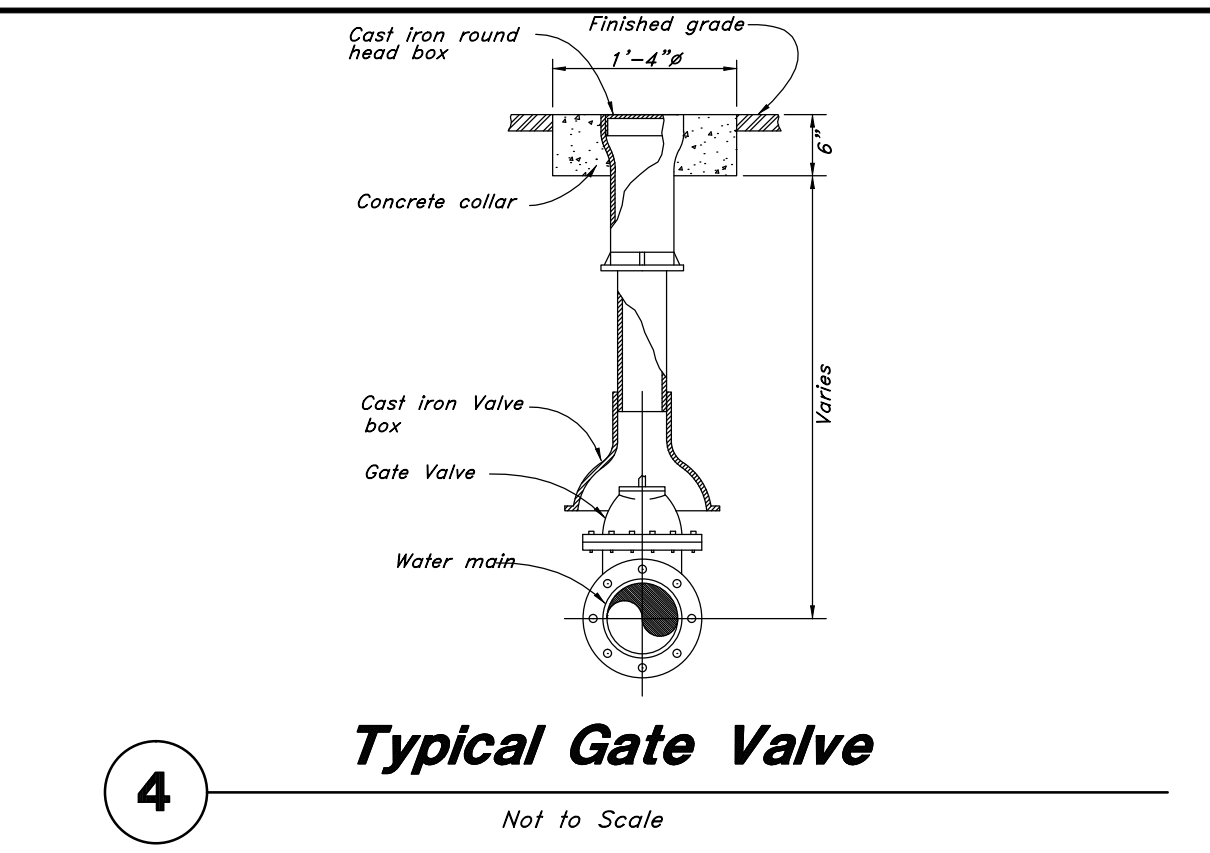
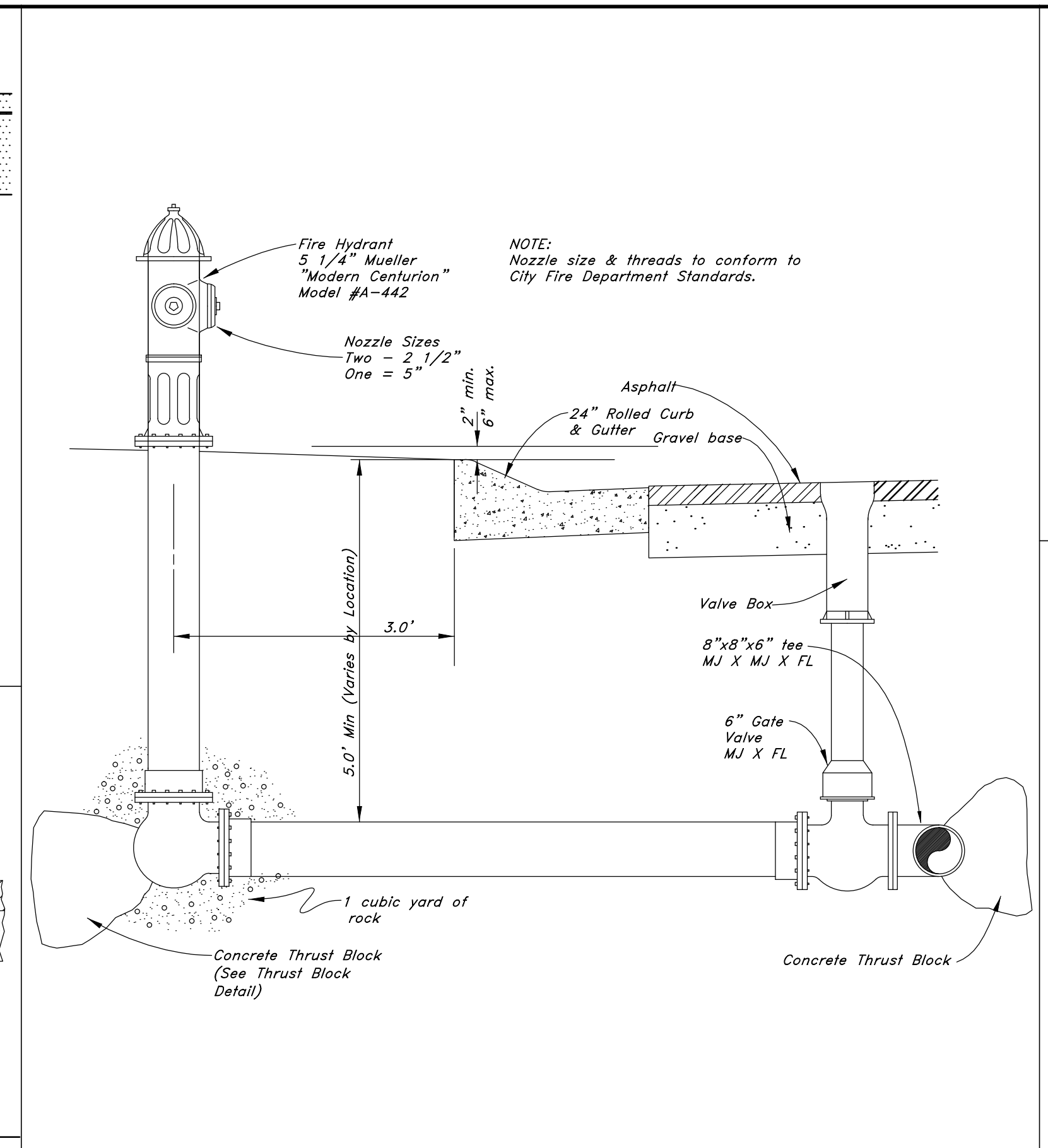
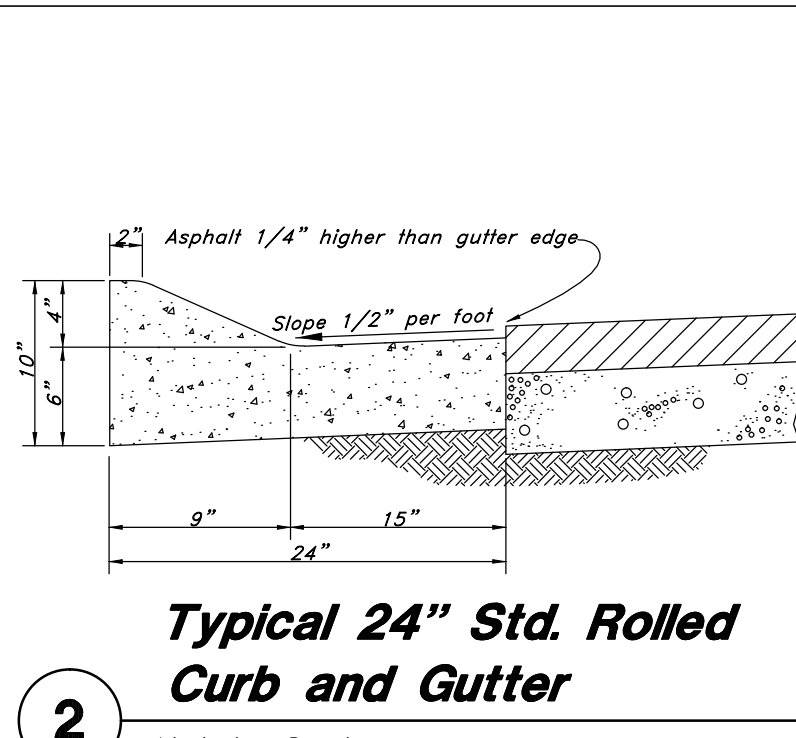
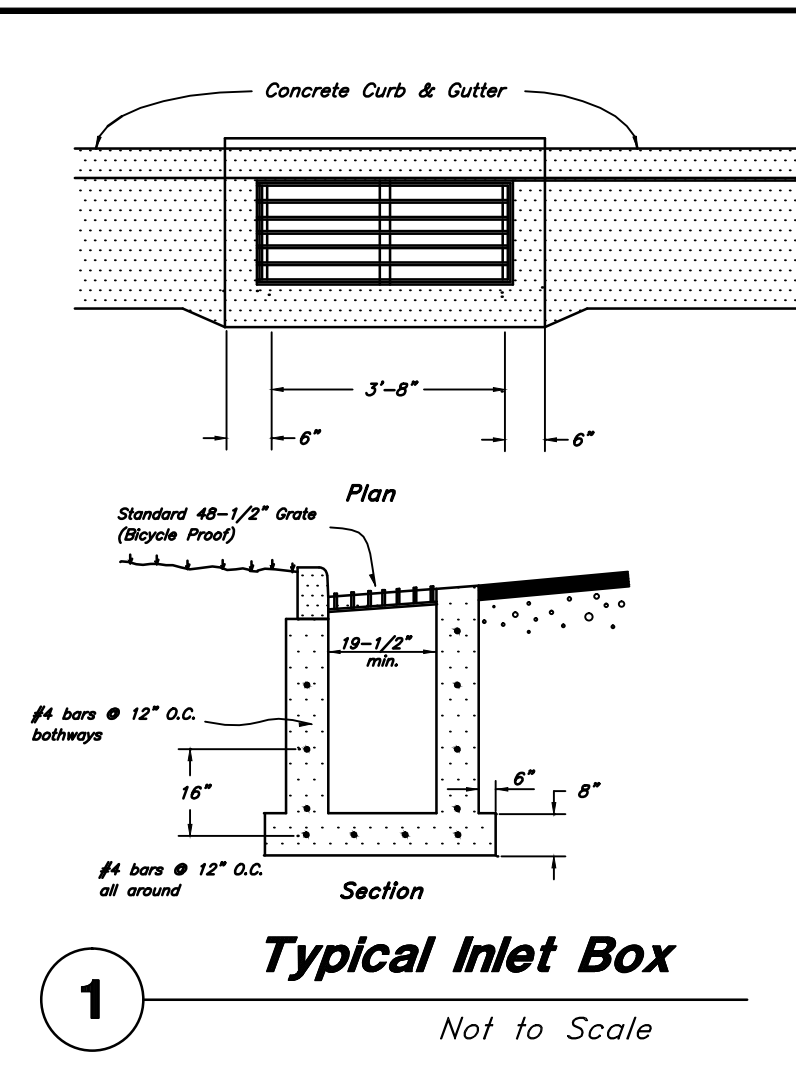
5746 SOUTH 1475 - EAST OGDEN, UTAH 84403
 800 444-5454 • 801 232-0322 FAX 801 232-7444
 WWW.GREATBASINENGINEERING.COM

Plan / Profile (Grading)

The Chalets at Ski Lake No. 6

A part of the Southwest 1/4 of Section 13, a part of the Northeast 1/4 of Section 23, and a part of the Northwest 1/4 of Section 24, 1/4 of Section 23, T6N, R1E, SLB&M, U.S. Survey

W:\96n120 - Chalets\dwg\Phase 6\96n120 ph6 PP1-11.dwg, 11/21/2012 8:39:40 AM, ryanb, 1:1

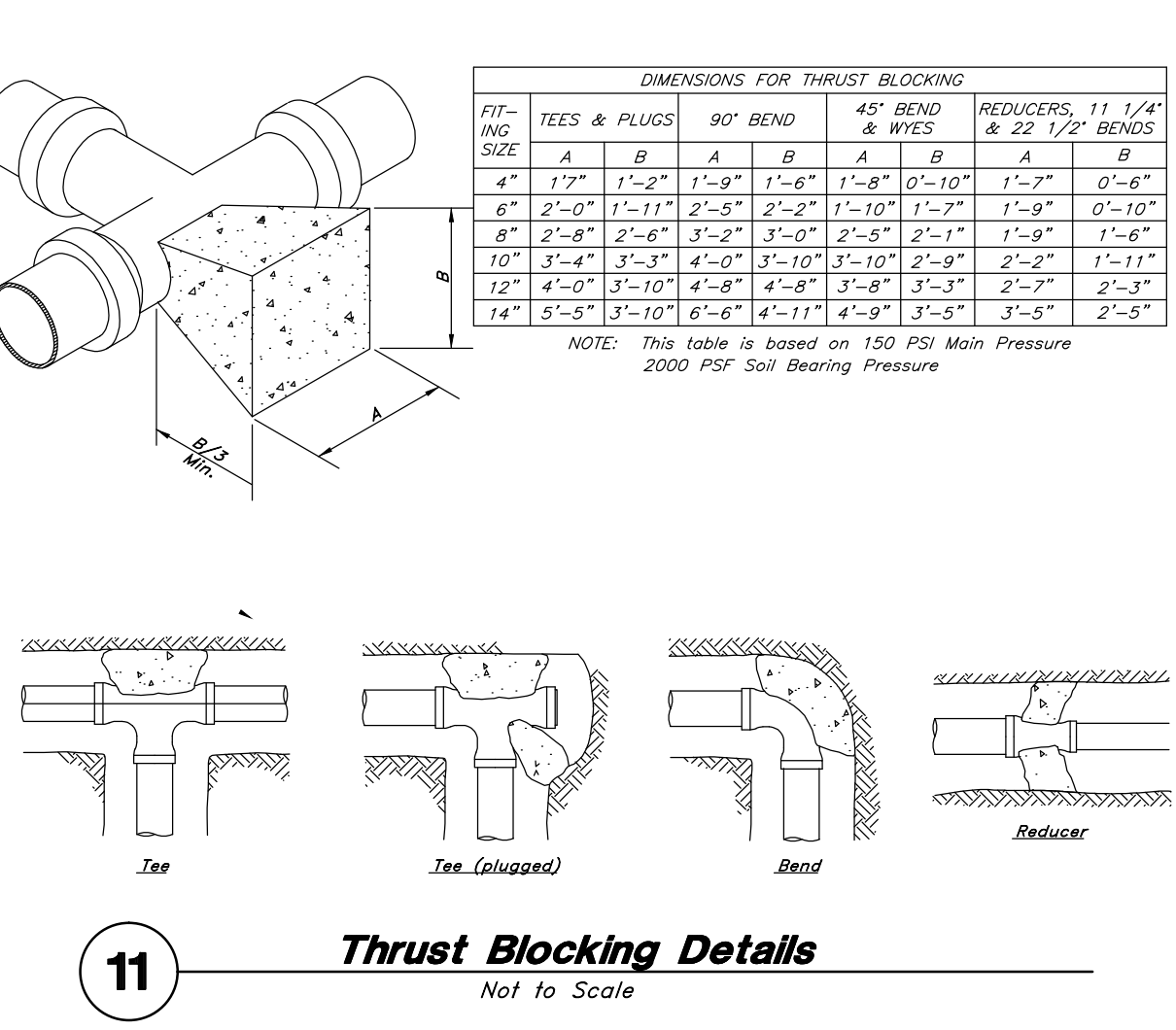
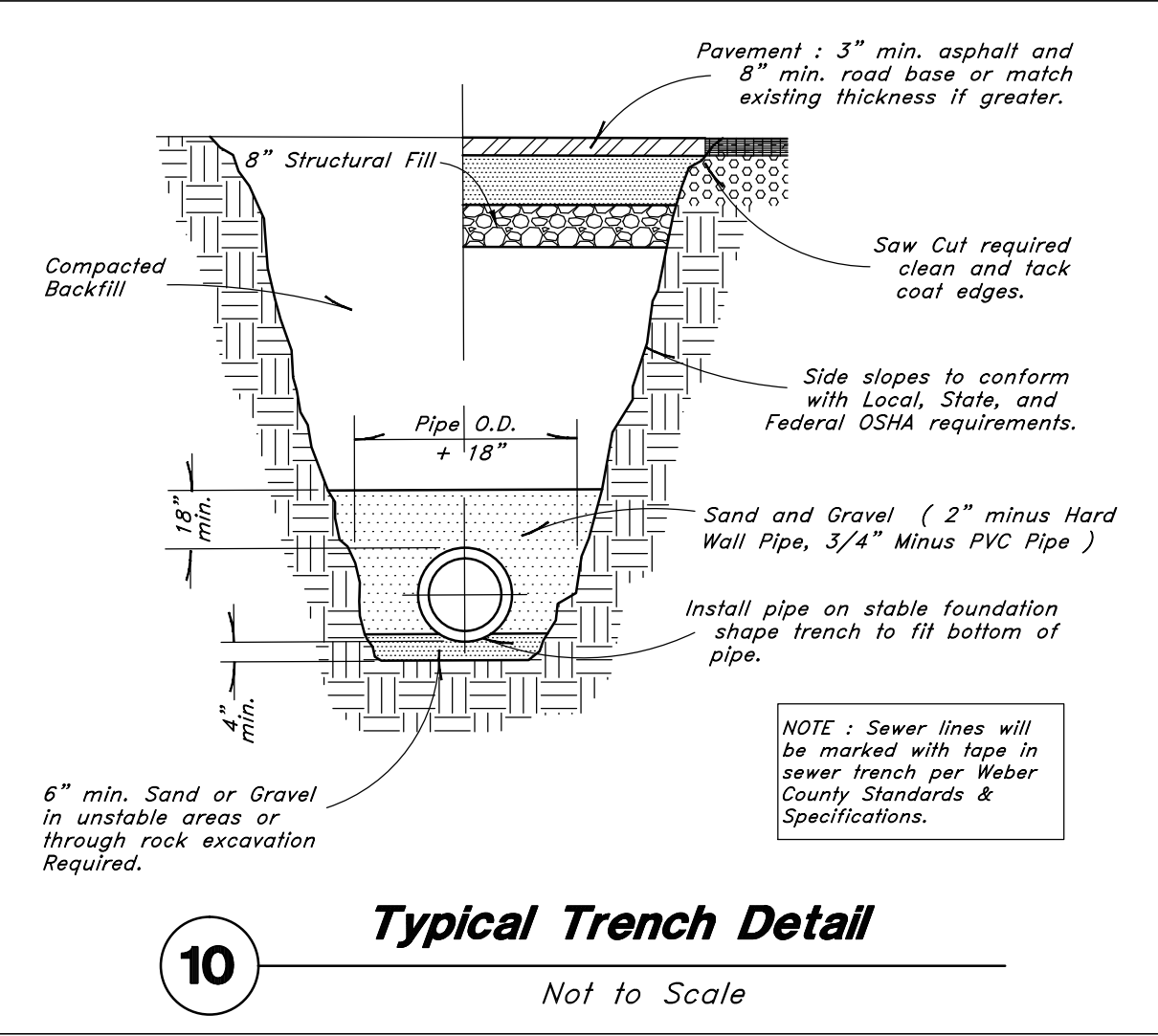
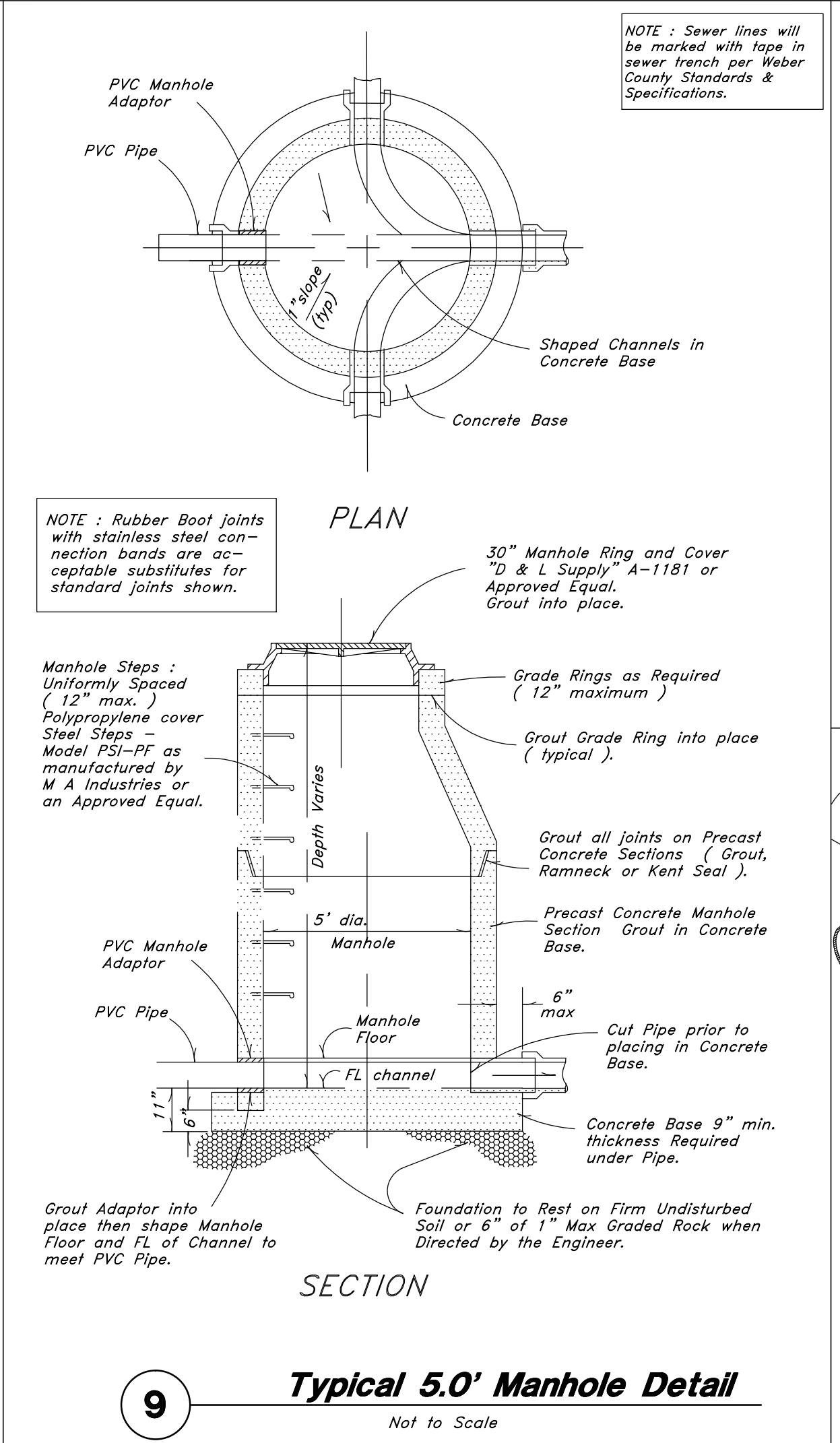
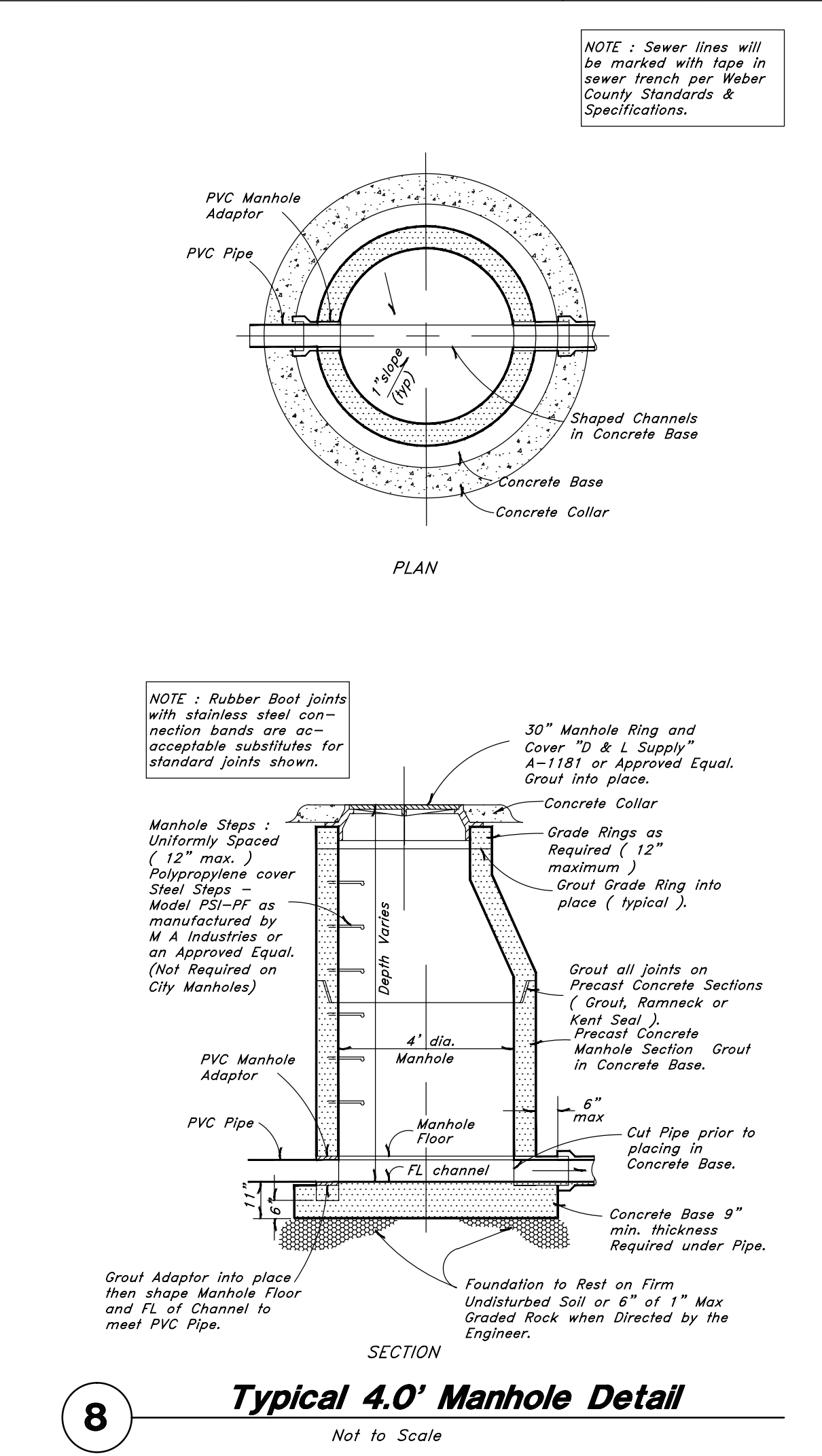


1 Typical Inlet Box
Not to Scale

3 Typical Fire Hydrant & Valve Connection
Not to Scale

4 Typical Gate Valve
Not to Scale

5 Air Release Detail
Not to Scale



8 Typical 4.0' Manhole Detail
Not to Scale

9 Typical 5.0' Manhole Detail
Not to Scale

11 Thrust Blocking Details
Not to Scale

GREAT BASIN ENGINEERING

5746 SOUTH 1475 - EAST OGDEN, UTAH 84403
 801-464-1515 FAX 801-464-1515
 WWW.GREATBASINENGINEERING.COM

Details

The Chalets at Ski Lake No. 6

A part of the Southwest 1/4 of Section 13, a part of the Northeast 1/4 of Section 23, and a part of the Northwest 1/4 of Section 24, 1/4 of Section 23, and a part of the Northeast 1/4 of Section 24, R1E, S16&M, U.S. Survey

