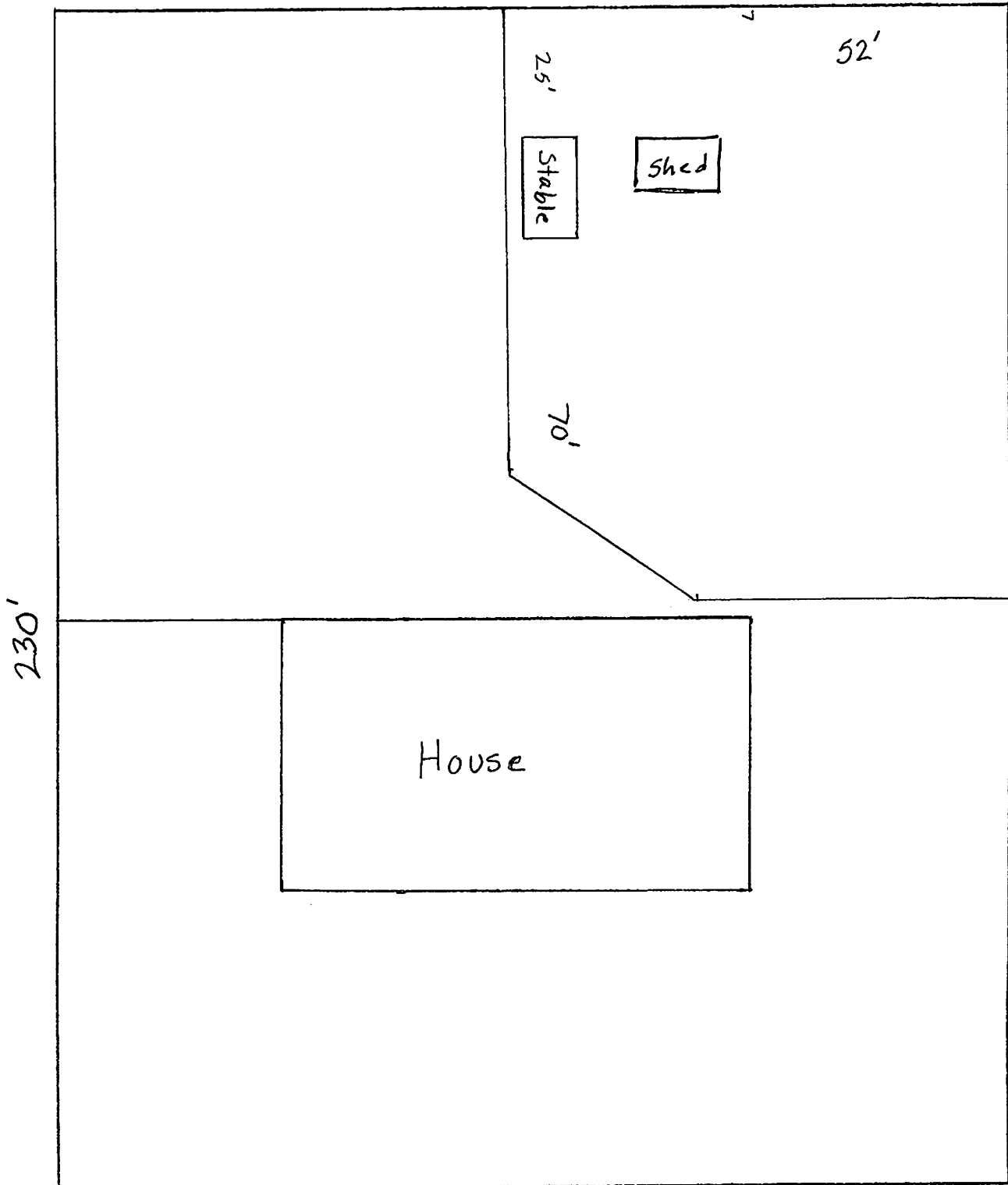
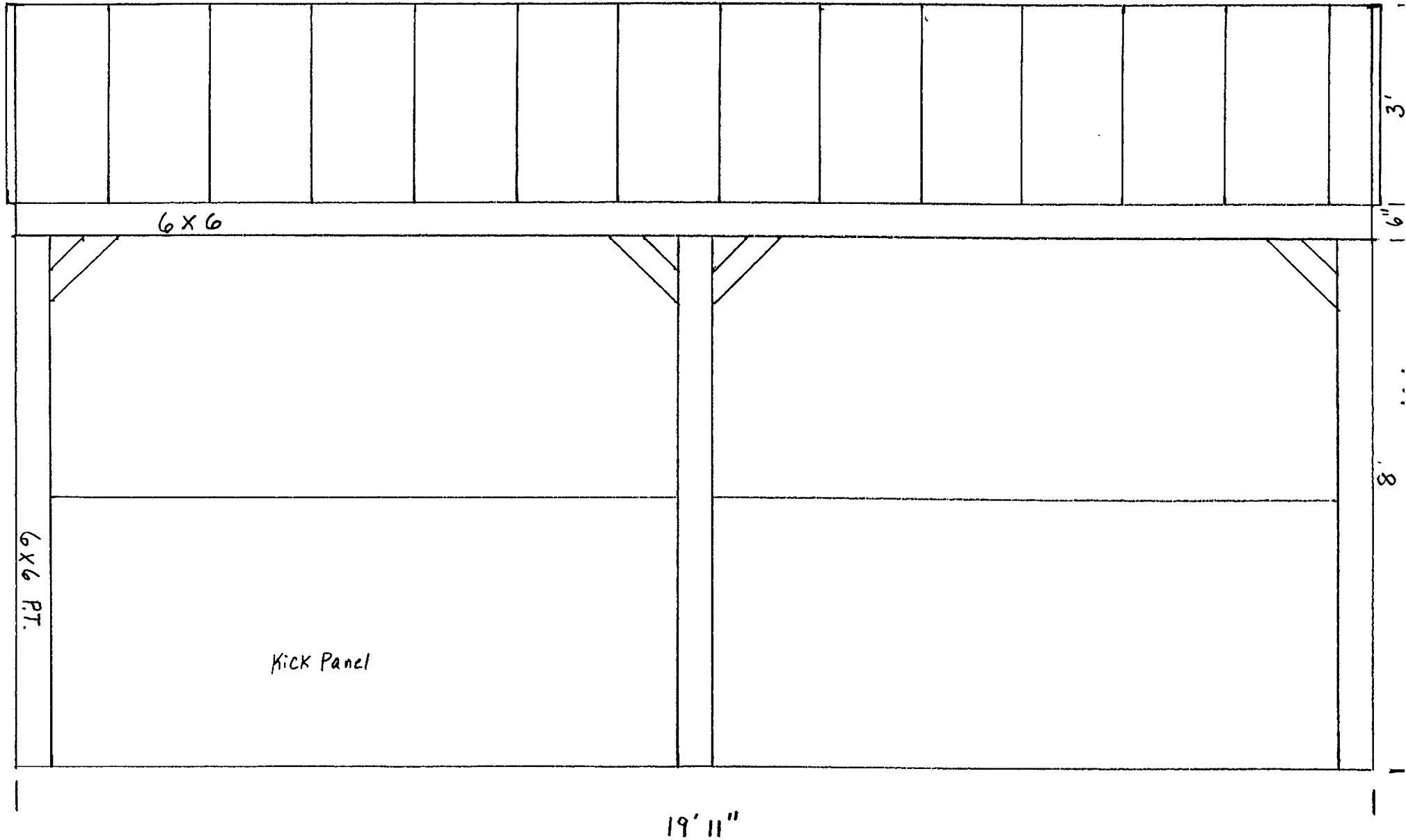


LOT
3027 W. 3000 S. Taylor

187'

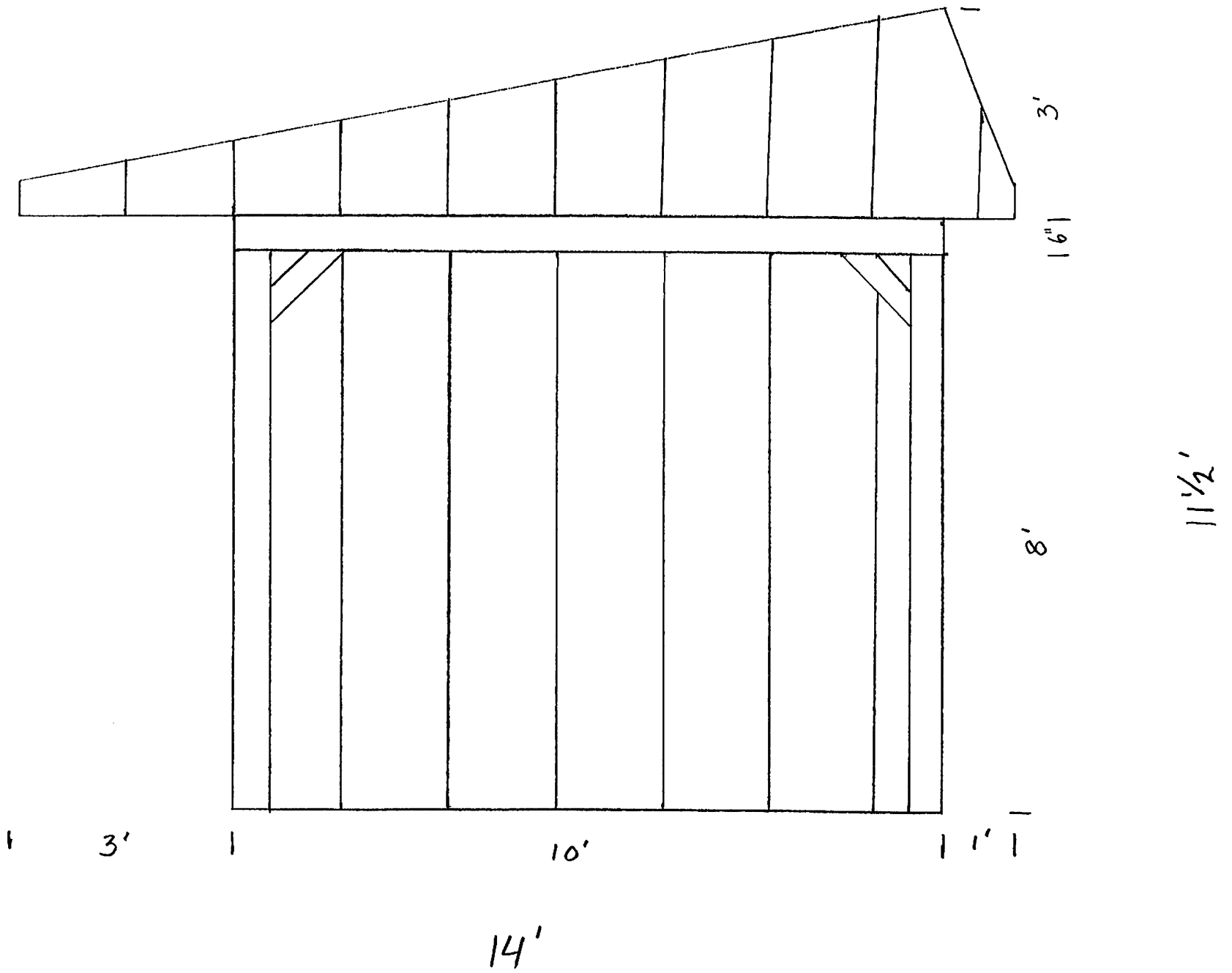


Front Stable

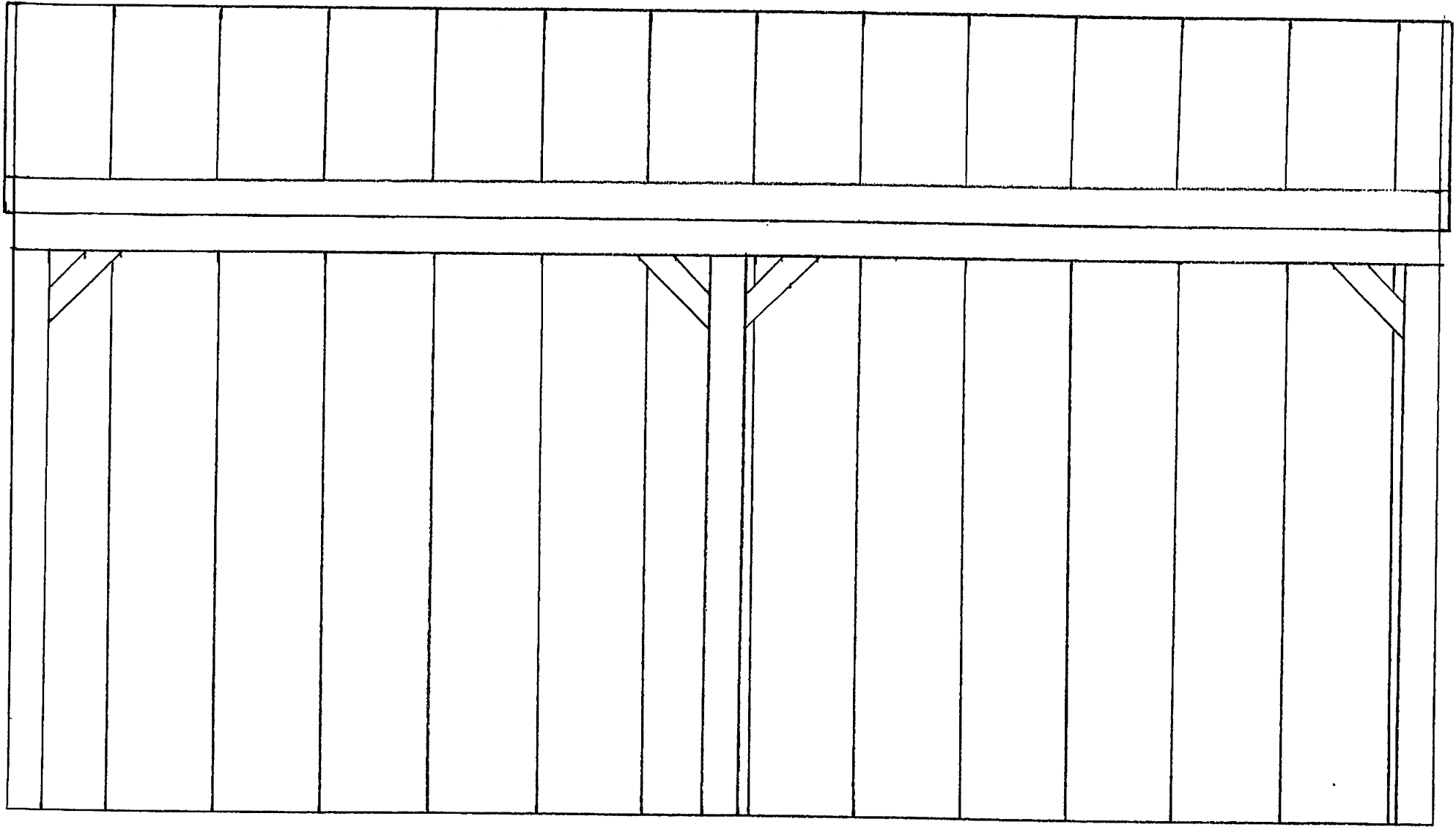


$\frac{1}{2}'' = 1'$

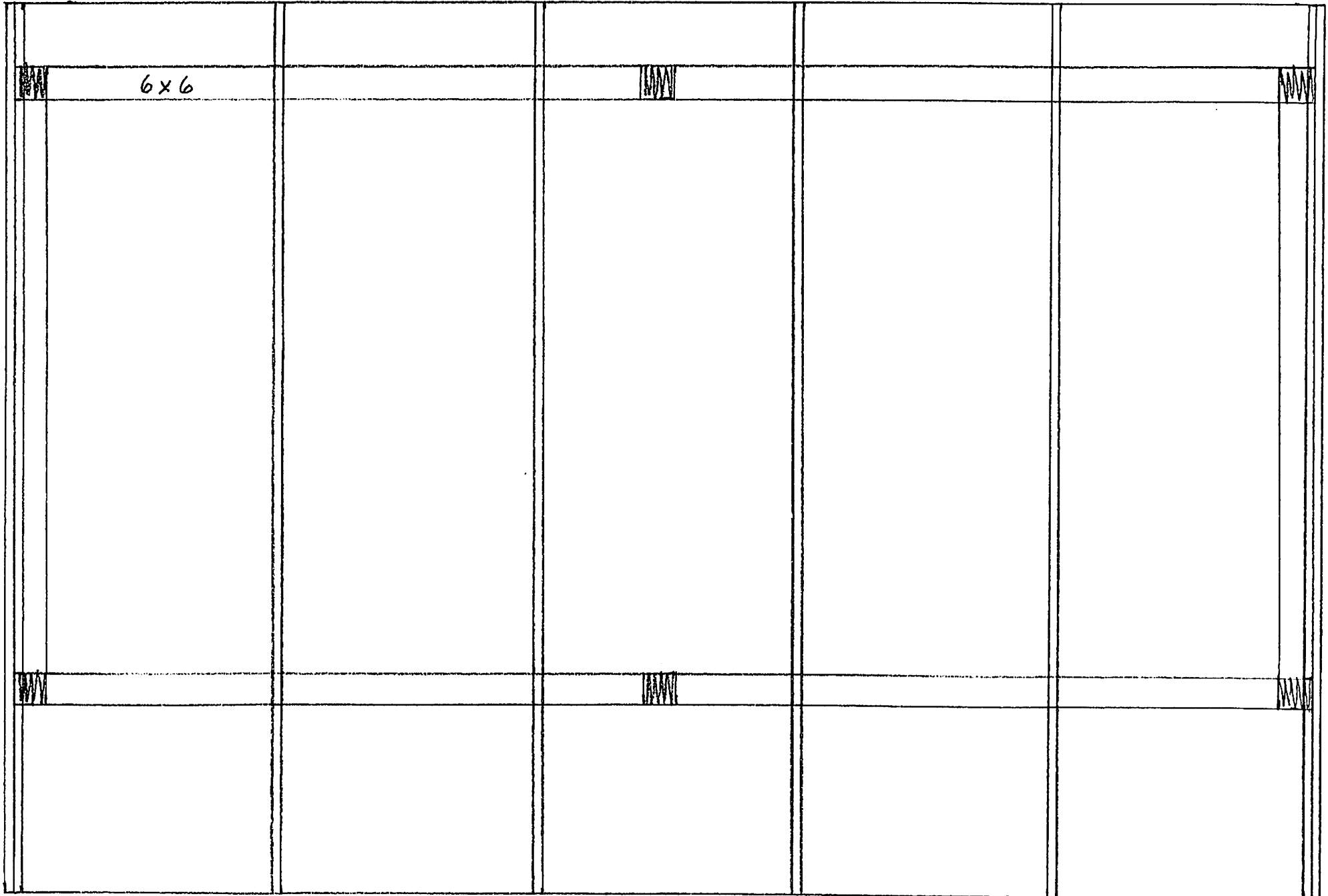
Side



Back
Stable



TOP
Stable

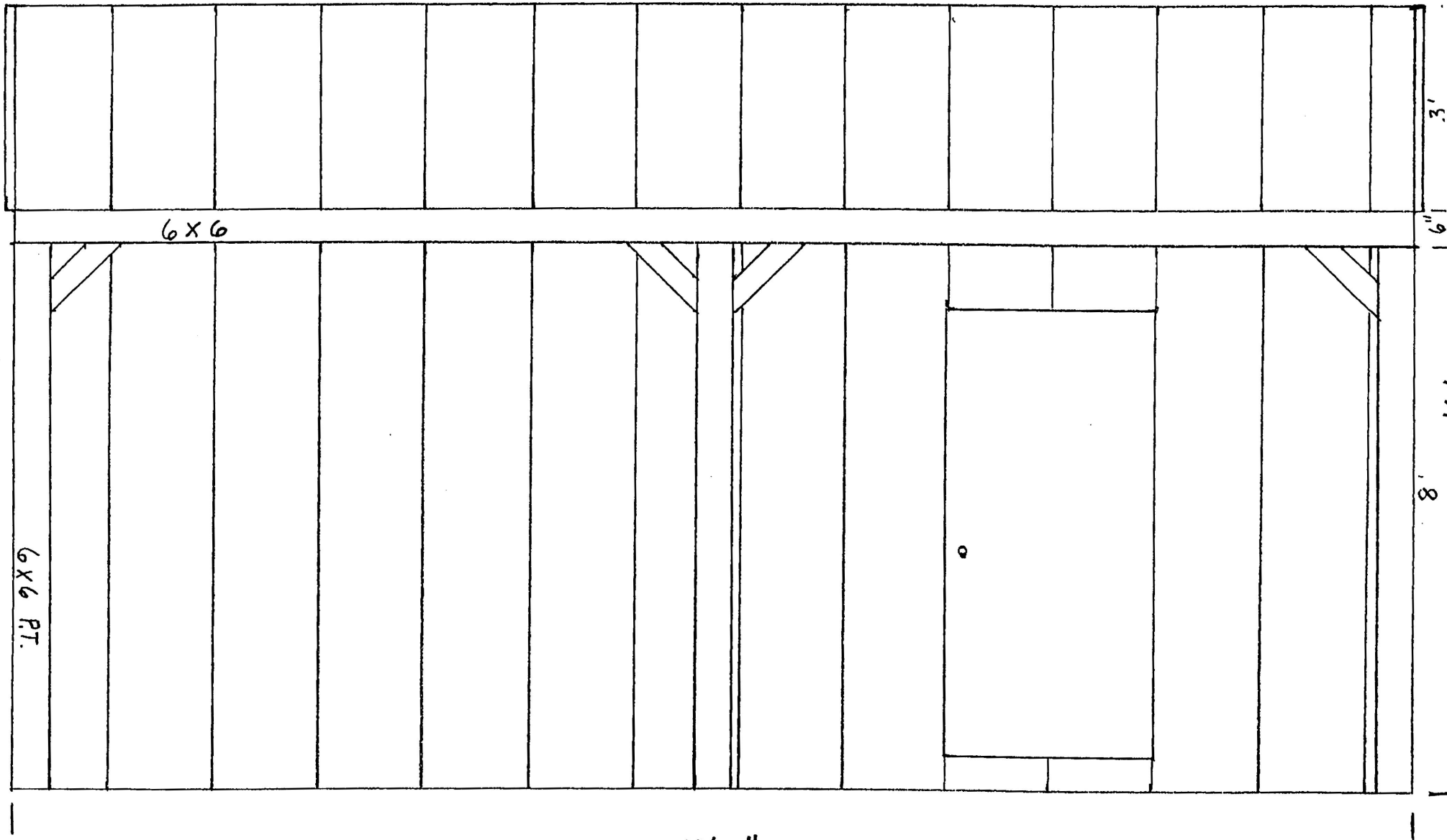


6x6

19' 11"

14'

Front
Shed



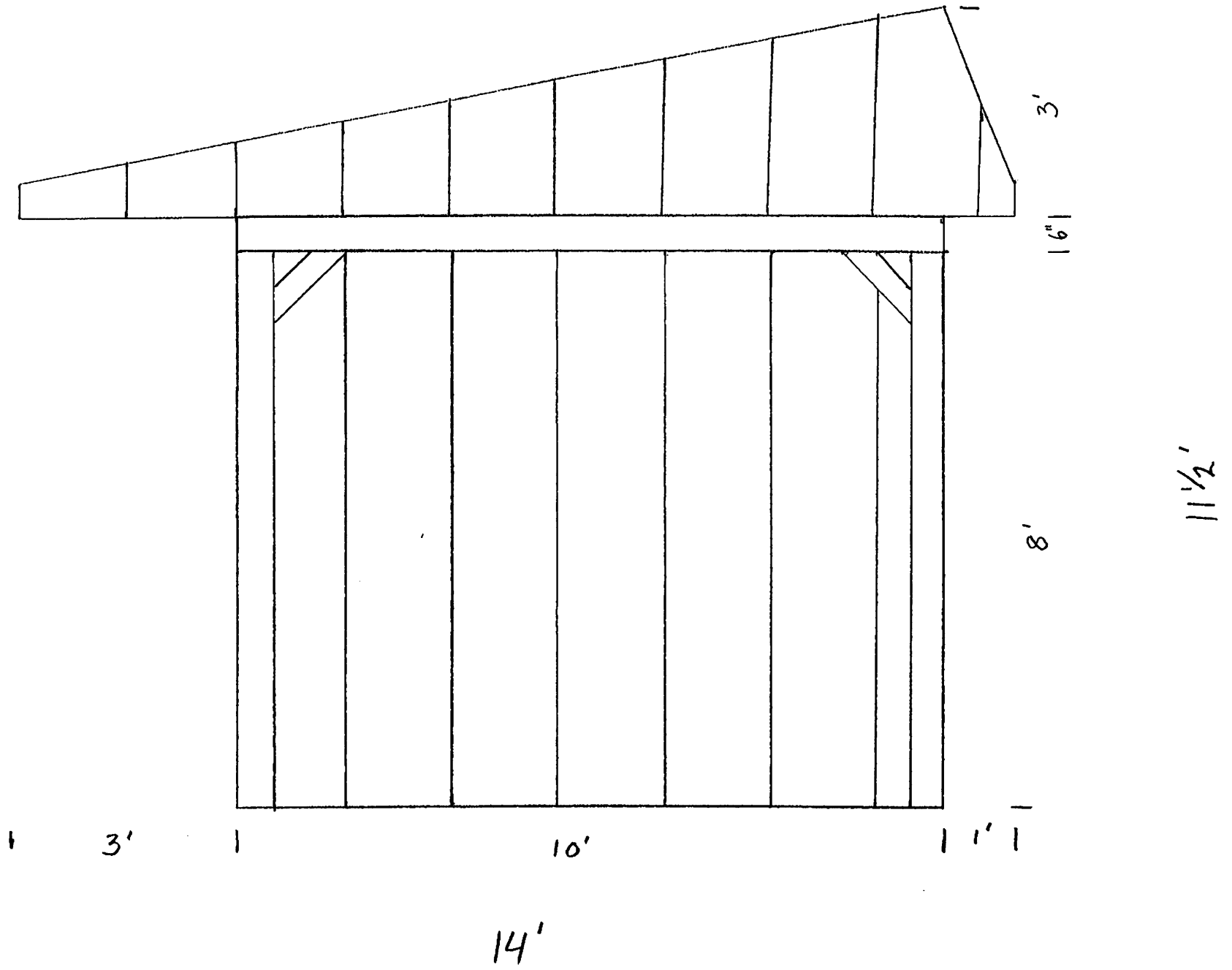
6x6 PT.

6x6

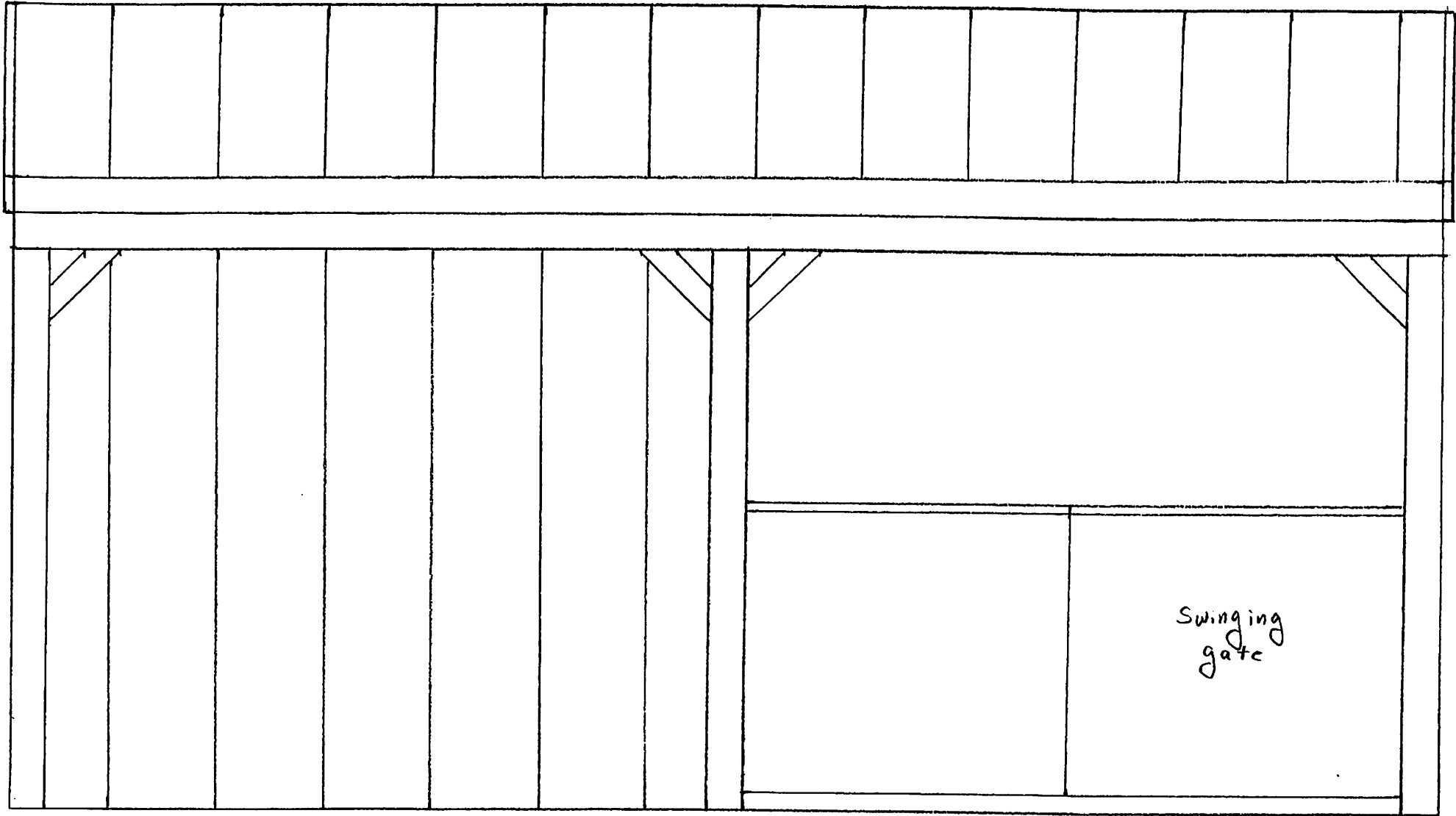
19' 11"

1/2" = 1'

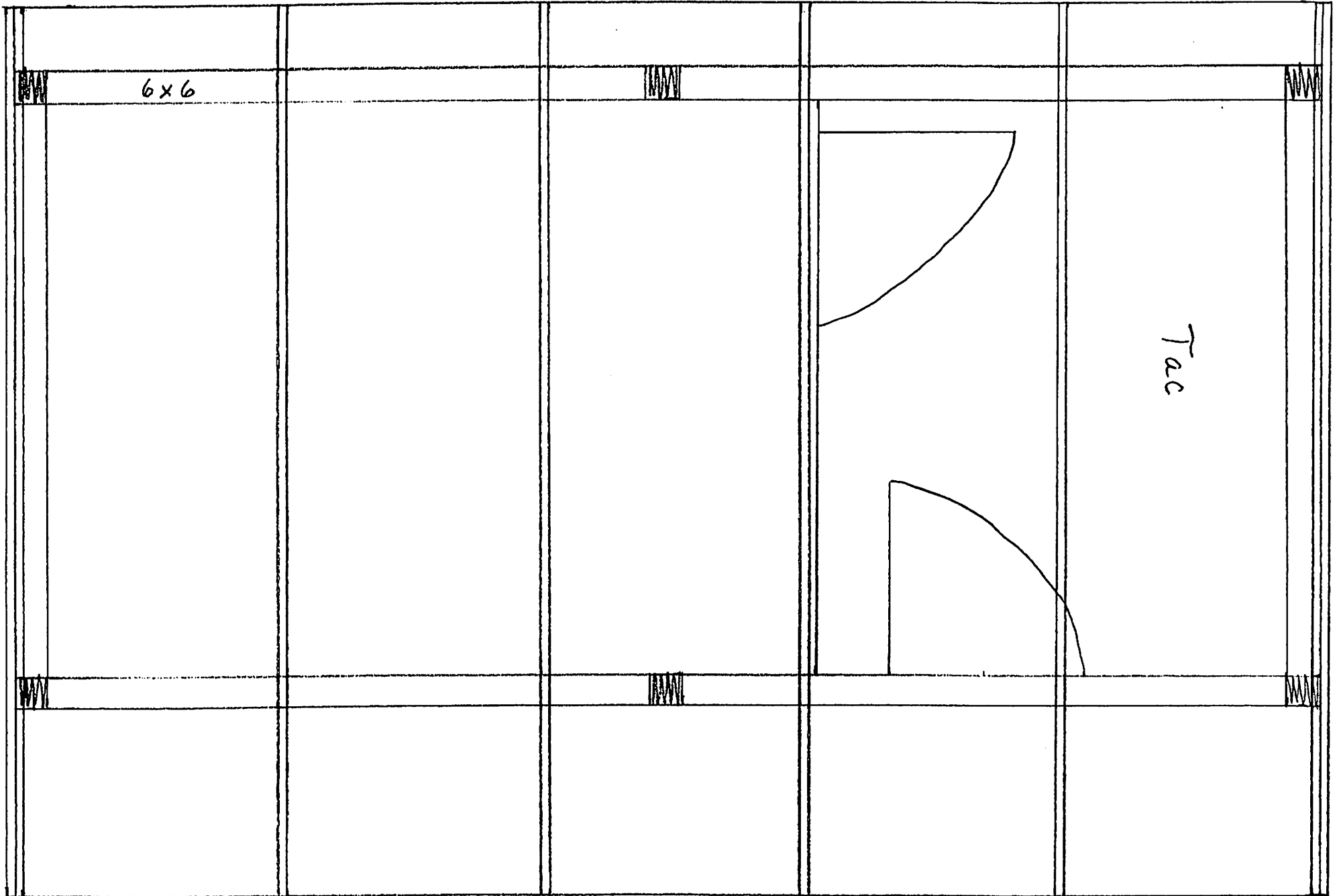
Side



Back
Shed



TOP
Shed



6x6

Tac

19' 11"

14'