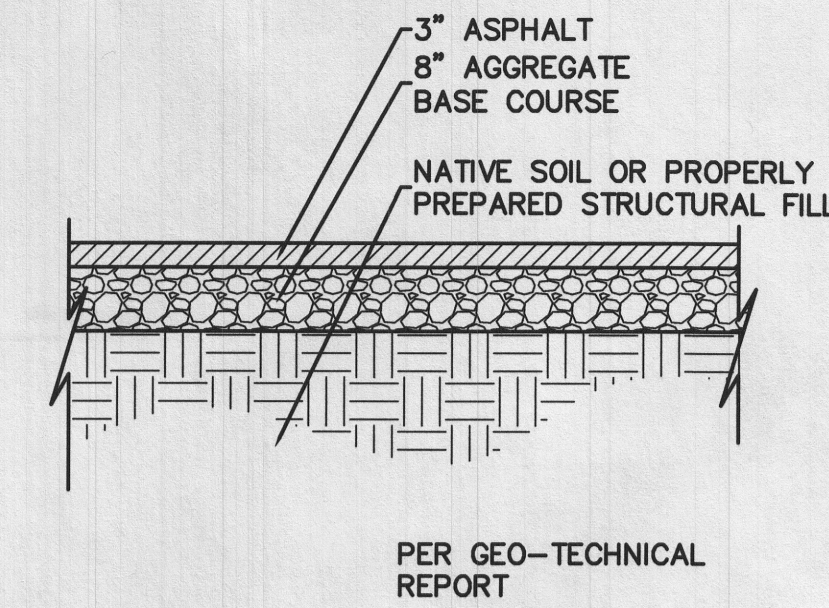


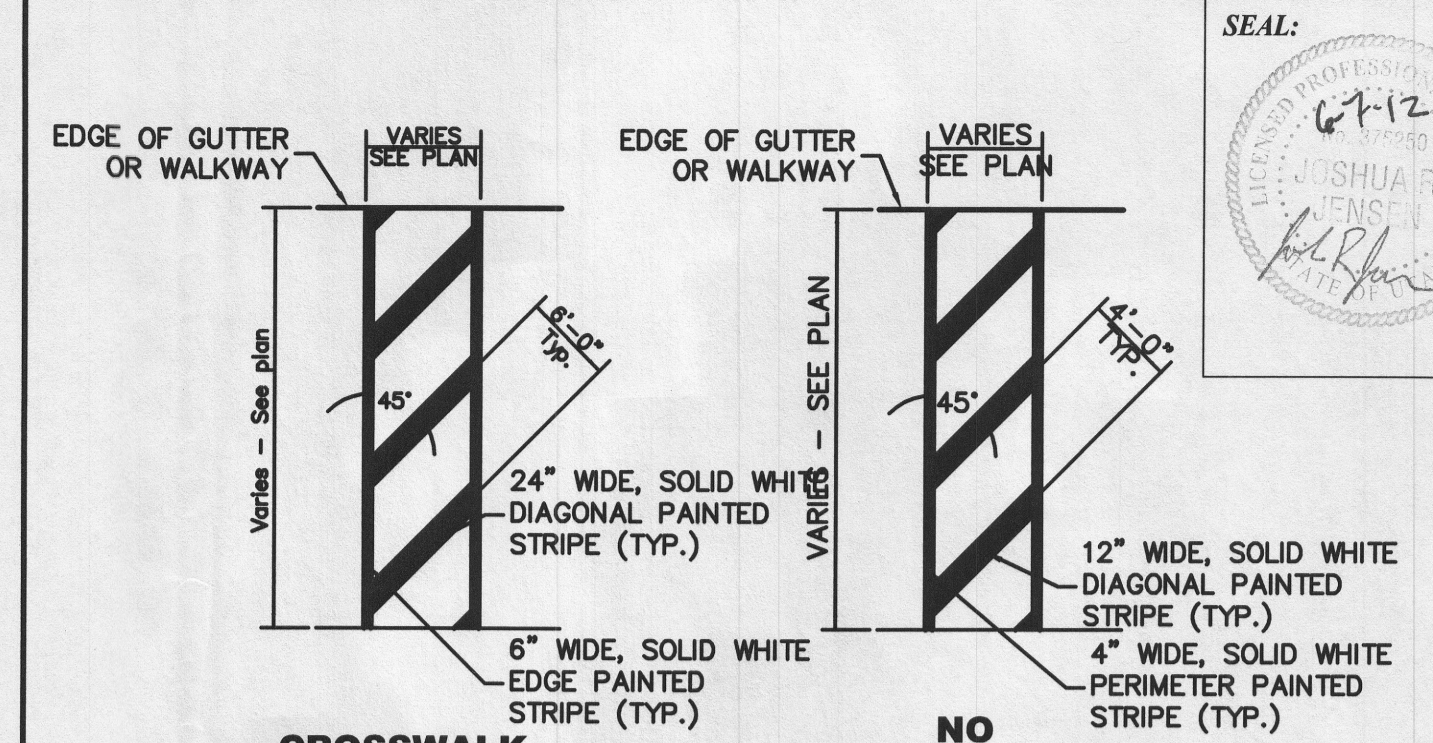
NOT USED
NOT TO SCALE

1
C2



TYPICAL PARKING X-SECTION
NOT TO SCALE

2
C2



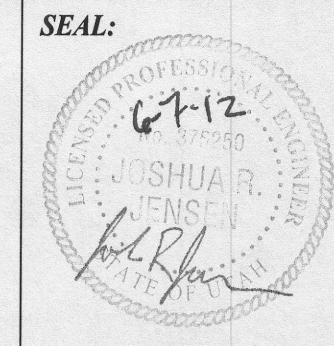
CROSSWALK

NO PARKING

STRIPEING DETAILS

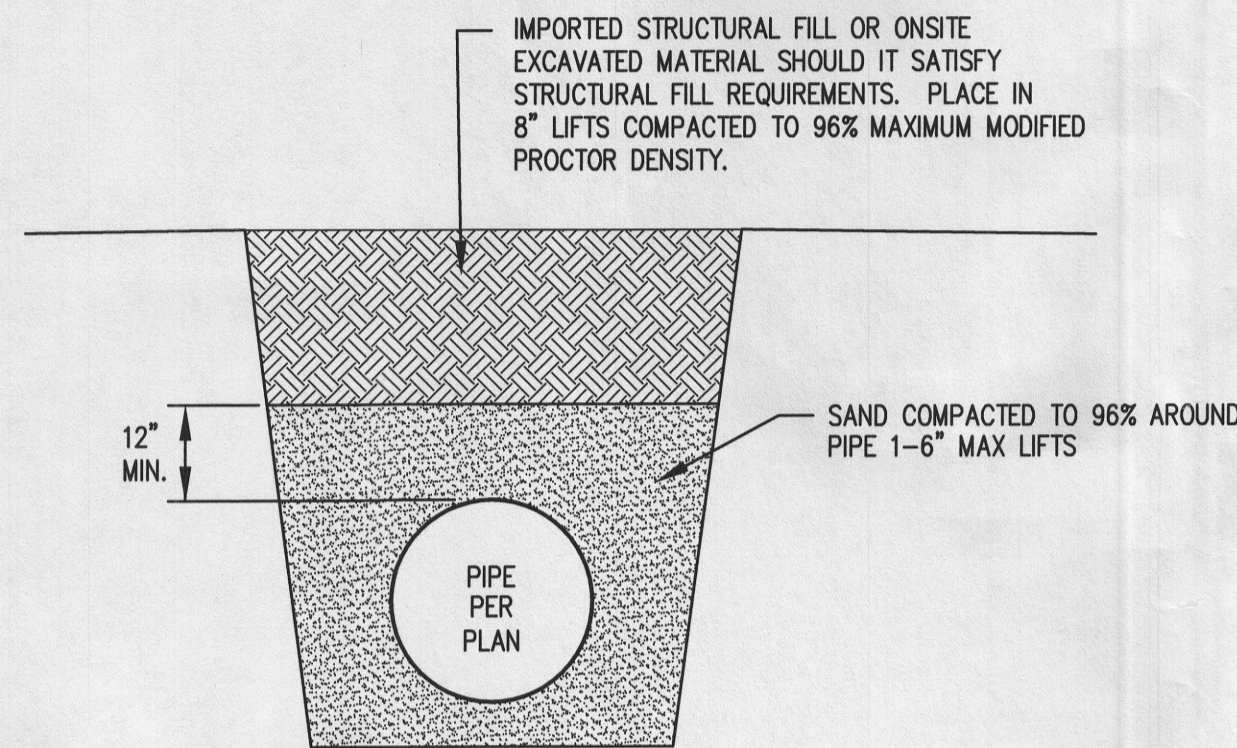
NOT TO SCALE

3
C2



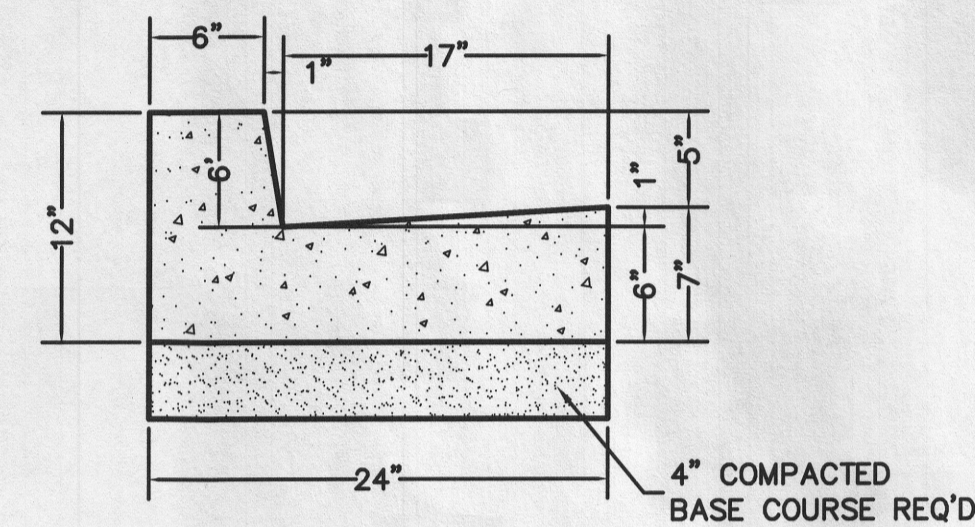
REVISIONS:
DATE: 12-031
PROJECT: 12-031
DRAWN BY: C.D.
PLT: 06-07-2012

DRAWING DESCRIPTION:
DETAILS



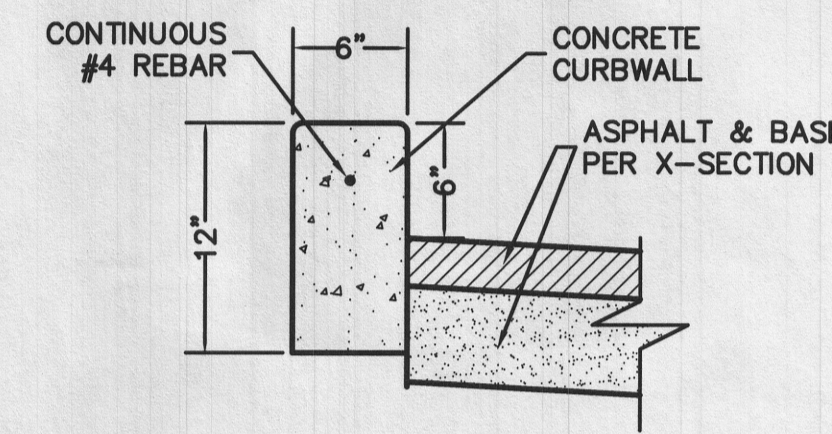
TYPICAL TRENCH
CROSS SECTION
NOT TO SCALE

4
C2



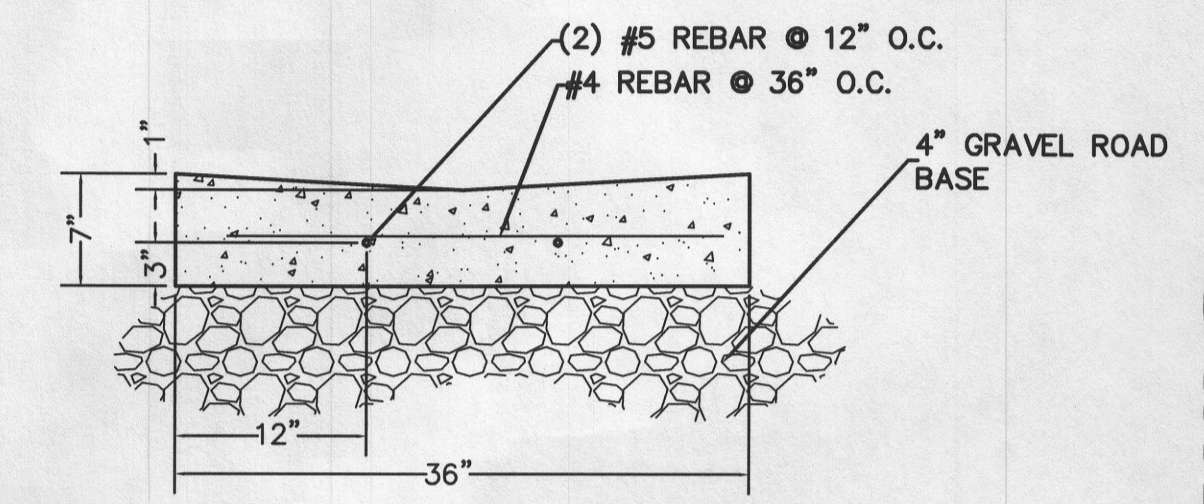
24" HIGH BACK CURB DETAIL
NOT TO SCALE

5
C2



6" CURB WALL
NOT TO SCALE

6
C2



3' WATER WAY
NOT TO SCALE

7
C2

177 E. ANTELOPE DR. #B
LAYTON, UT 84041
PHONE: (801) 499-5054
FAX: (801) 499-5065

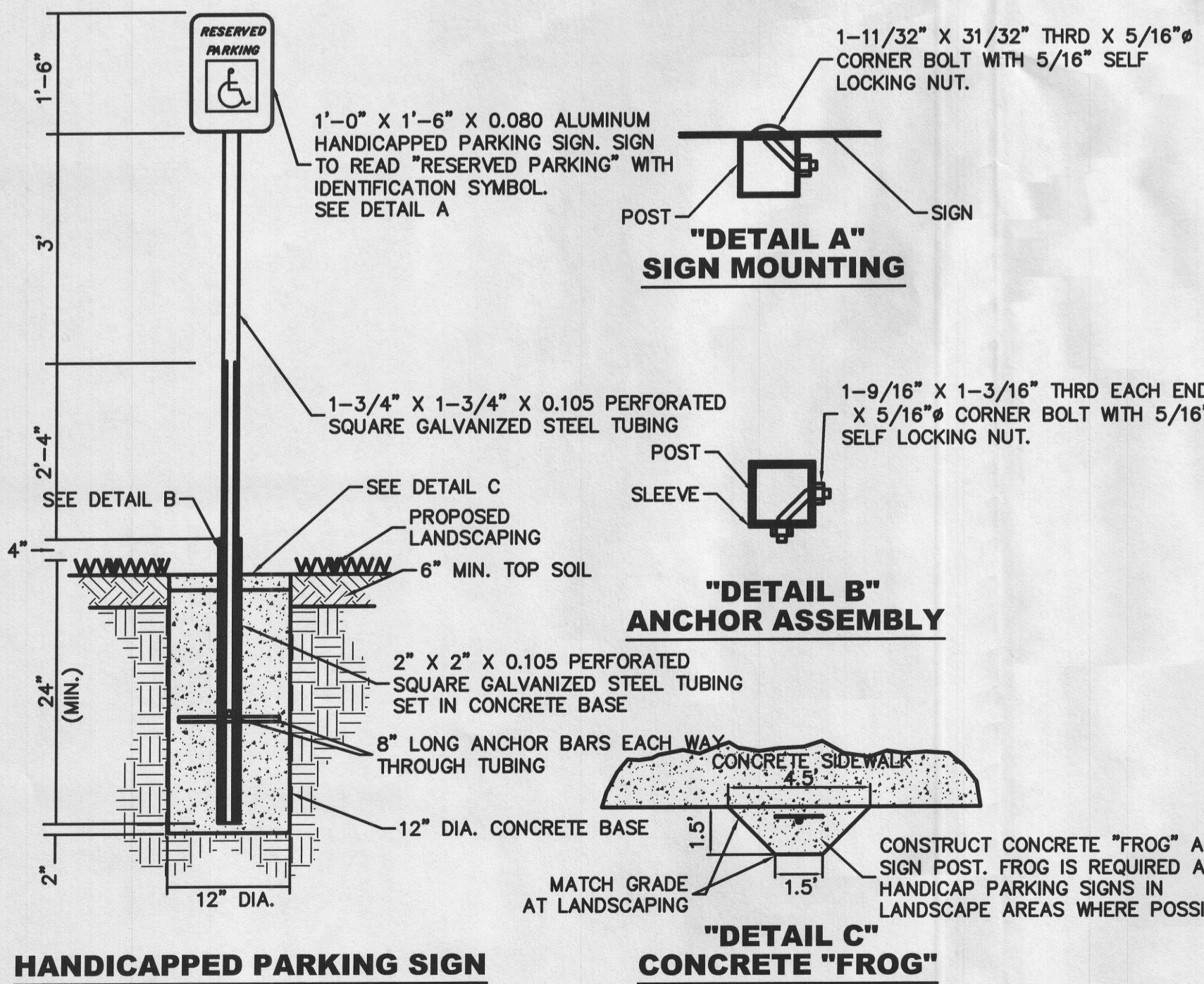


BAUR STORAGE BUILDING
LOT 1B, WEBER INDUSTRIAL PARK
WEBER COUNTY, UTAH

SHEET NUMBER:

C2

DETAILS



HANDICAP PARKING SIGN
DETAILS
NOT TO SCALE

8
C2

