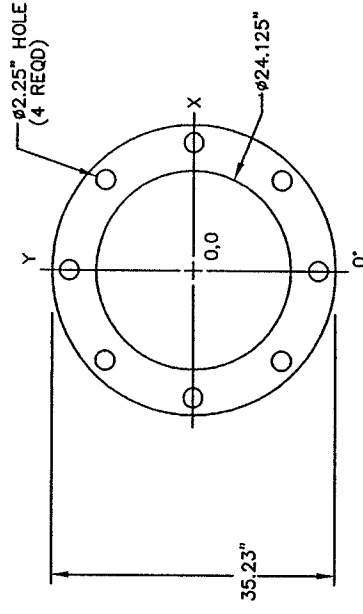


ITEM ID	NO. REQD	FEATURES	UNIT WEIGHT(LBS)	WEIGHT (LBS)
1	1	SECTION A - PIPE 24" OD x 0.375" WALL (A53 GR. B)	3,787	3,787
2	1	SECTION B - PIPE 18" OD x 0.250" WALL (A53 GR. B)	1,897	1,897
3	1	SECTION C - 12.75" OD x 0.375" WALL (A53 GR. B)	992	992
4	1	BOTTOM CAGE PLATE	64	64
5	8	2.00" ANCHOR BOLT, LENGTH=5.00' F1554 GR55	62	496
6	1	BASE PLATE 2.00" THK (A572 GR50)	551	551
7	1	6" SOLID DISH		
	1	TOP CAGE PLATE (REMOVE BEFORE SETTING POLE)	84	84
	1	SAFETY CLIMBING CABLE (LENGTH = 90.00')	84	84
	2	GROUNDING LUG	2	4
		GALVANIZING	145	145
	80	STEP AND CLIP (VALMONT STANDARD)	1	80
8	2	HAND HOLE UR (5" x 8") @ 0', 180'		
9	2	HAND HOLE UR (5" x 8") @ 0', 180'		
	1	POLE CAP	14	14
10	2	FLANGE PL 1.50" THK (A572 GR50) W/(12) 7/8" A325 BOLTS	192	384
11	2	FLANGE PL 1.00" THK (A572 GR50) W/(8) 3/4" A325 BOLTS	72	144

HOLE COORDS (INCHES)	
X-COORD	Y-COORD
10.94	10.94



- NOTES:
1. BASE PLATE THICKNESS = 2.00"
  2. BASE PLATE ALLOWABLE STRESS (KSI) = 50
  3. VENT AND DRAIN HOLES PROVIDED
  4. MAXIMUM BOLT CIRCLE DIAMETER = 30.95"
  5. MAXIMUM CAGE TEMPLATE DIAMETER = 36.96"

**BASE PLATE / ANCHORAGE CHARACTERISTICS**

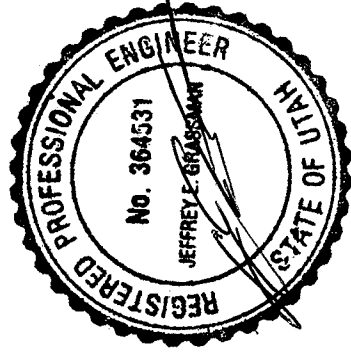
**NOTES:**

1. FACTORED REACTIONS FOR FOUNDATION DESIGN.  
 MOMENT = 4,484 IN-KIPS  
 SHEAR = 5,484 #  
 VERTICAL = 8,724 #
2. GALVANIZED PER ASTM A-123.
3. DESIGN CRITERIA: ANSI/TIA 222-G APPENDUM 2
4. THIS STRUCTURE HAS BEEN DESIGNED FOR THE FOLLOWING LOADING:  
 EXPOSURE CATEGORY = C  
 STRUCTURE CLASSIFICATION = 2  
 TOPOGRAPHY CATEGORY = 1  
 EARTHQUAKE SPECTRAL RESPONSE ACCELERATION AT SHORT PERIODS  $S_s = 1.78$   
 EARTHQUAKE SPECTRAL RESPONSE ACCELERATION AT ONE SECOND  $S_1 = 0.76$   
 EARTHQUAKE SITE CLASS = D  
 WIND LOAD CASES ARE BASED ON 3 SECOND GUST AND 50 YEAR WIND RETURN PERIOD  
 A. CASE 1: WIND = 90 MPH WIND SPEED  
 B. CASE 2: WIND = 50 MPH ICE AND WIND SPEED  
 DESIGN ICE THICKNESS = 0.25 INCH  
 C. CASE 3: WIND = 60 MPH WIND SPEED  
 D. EQUIPMENT

DESCRIPTION	MTG HT. (FT)	CENTROID EPA WT (FT**2)	WITHOUT ICE EPA WT (LBS)	WITH ICE EPA WT (LBS)
1-6" SOLID DISH	99.00	45.73	187	47.41
			352	

5. FEEDLINES ARE PLACED INTERIOR TO POLE SHAFT (UNLESS NOTED OTHERWISE).

SECTION INFORMATION				
ITEM ID	LENGTH	BASE OD	TOP OD	MATL
1	40' - 0.00"	24.00"	24.00"	A53 GR. B
2	40' - 0.00"	18.00"	18.00"	A53 GR. B
3	20' - 0.00"	12.75"	12.75"	A53 GR. B



APR 18 2012

ORDER	PROJECT	FILE ID	SCALE	DATE	ENGR
		173392R2	NONE	02/13/12	AHT12/MF

CENTURYLINK 100' POLE, SITE: WESTINGHOUSE-OGDEN NORTH, UT

