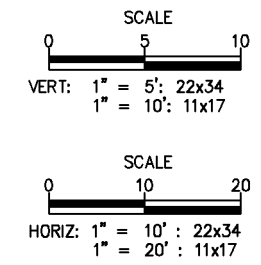
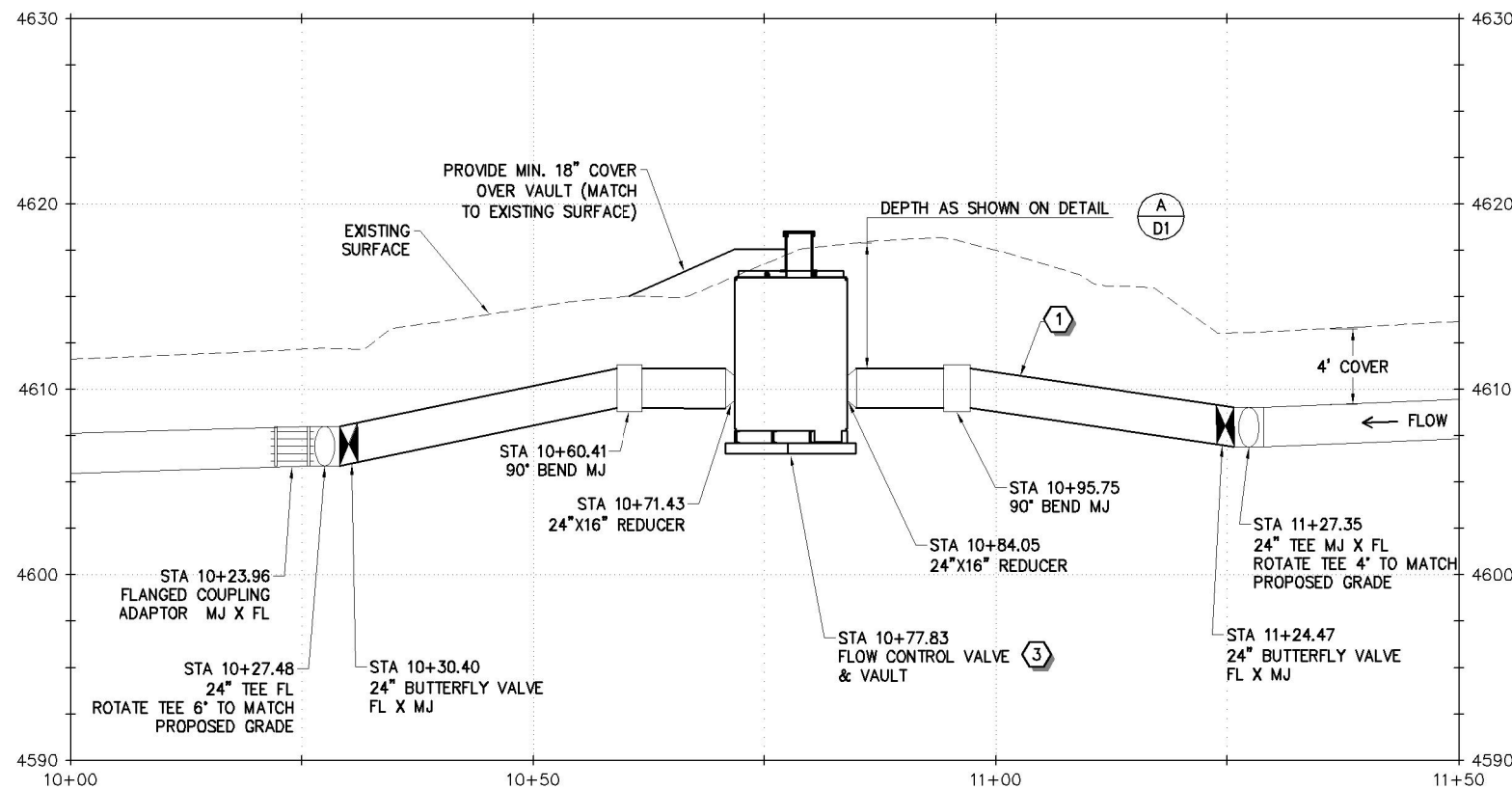




CONSTRUCTION NOTES

- ① 24" DUCTILE IRON PIPE (PRESSURE CLASS 350)
- ② 24" BUTTERFLY VALVE
- ③ FLOW CONTROL VALVE AND VAULT



REV. NO.	COMMENT	DATE

CLIFTON G. LINFORD
No. 631187

SUNRISE ENGINEERING

2036 LINCOLN AVE., SUITE 104
OGDEN, UTAH 84401
TEL 801.656.8109 · FAX 801.523.0990
www.sunrise-eng.com

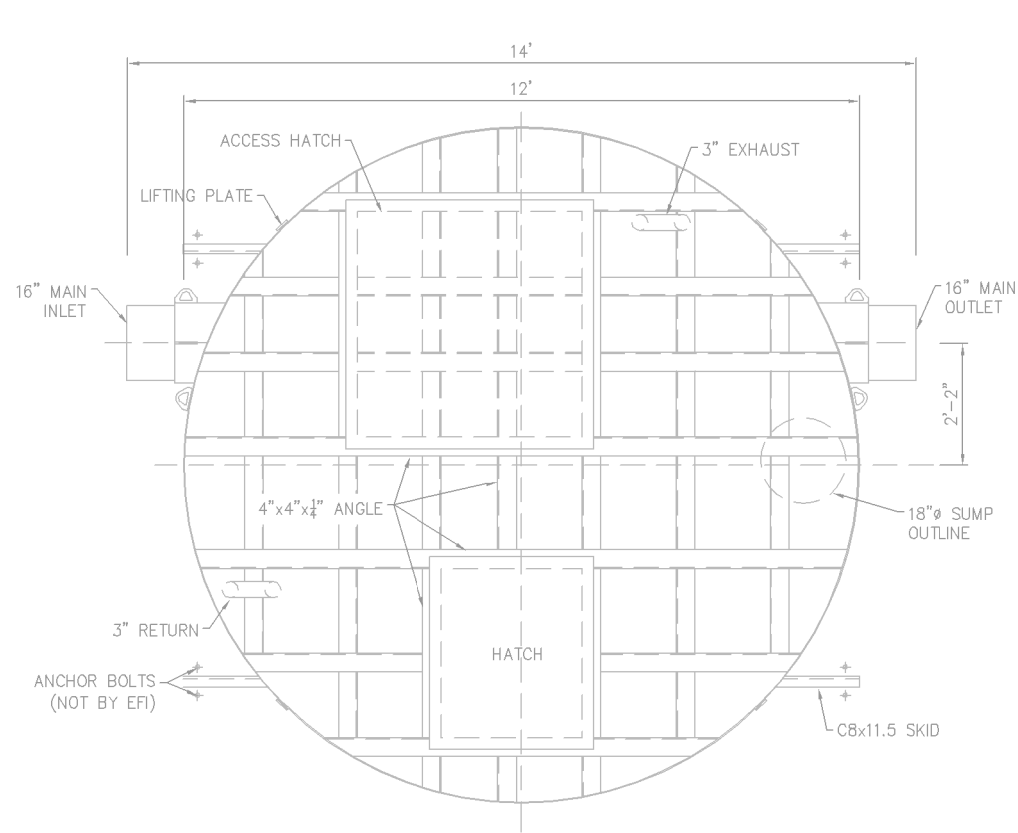
OGDEN CITY

OGDEN CANYON HYDRAULICS

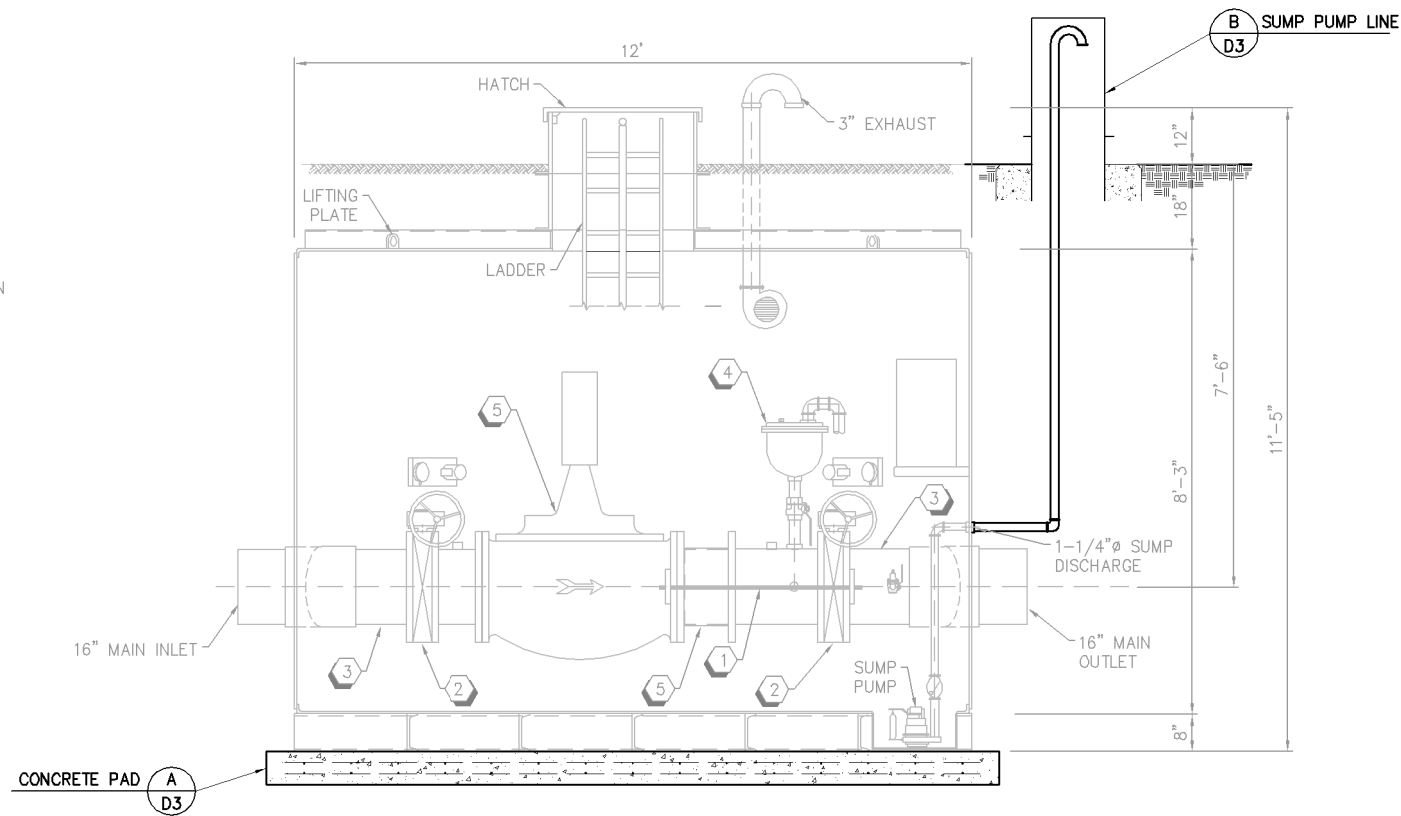
COLDWATER TRAILHEAD FLOW CONTROL

SEI NO. 04310	DESIGNED CL	DRAWN NC	CHECKED CL	SHEET NO. 9 of 18	PP3
------------------	----------------	-------------	---------------	----------------------	-----

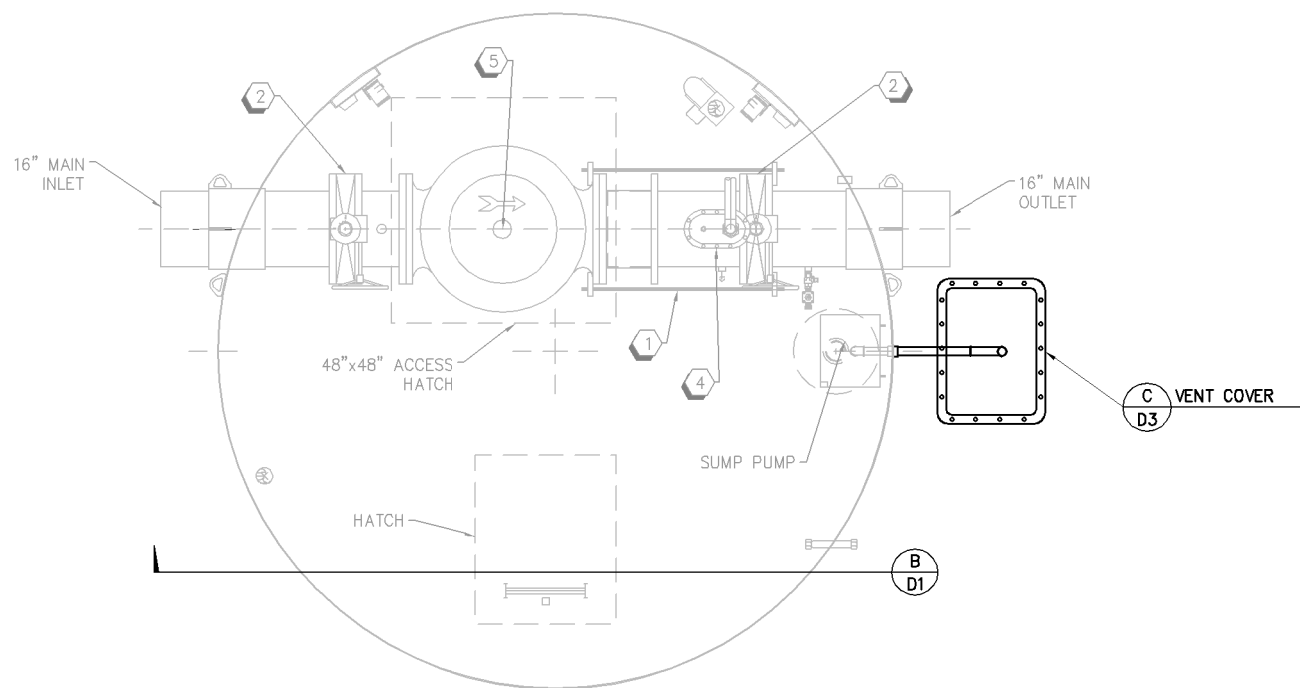
P:\ogden city\04310 ogden treatment plant\Design\3D\Sheets\Ogden Canyon Hydraulics\OCH-PP.dwg Dec. 02, 2013 10:59am ndrhistensen



A **DETAIL - PRE-PACKAGED FCV STATION EXTERIOR PLAN**
PP3 NTS



B **SECTION - PRE-PACKAGED FCV STATION**
D1 NTS



C **DETAIL - PRE-PACKAGED FCV STATION INTERIOR PLAN**
D1 NTS

EFI PRE-PACKAGED FLOW CONTROL STATION EQUIPMENT SCHEDULE

NO.	DESCRIPTION	SIZE	QTY.
1	F.C.A.	16"	1
2	BUTTERFLY VALVE	16"	1
3	FL x PE SPOOL	16"	1
4	AIR VAC	2"	1
5	FLOW CONTROL VALVE	16"	1

GENERAL NOTES:

ALL PIPING AND EQUIPMENT WILL BE ADEQUATELY SUPPORTED AND BRACED.

PLATE & STRUCTURAL STEEL:
ASTM A-36.

STRUCTURAL TUBING: A500, GRADE B

FCA = FLANGED COUPLING ADAPTER
PRV = PRESSURE RELIEF VALVE
FCV = FLOW CONTROL VALVE

CONTRACTOR SHALL BE RESPONSIBLE FOR OFFLOADING VAULT, INSTALLATION OF VAULT BACKFILL, EXCAVATION, EQUIPMENT PAD, AND ALL CONNECTIONS TO THE OUTSIDE OF THE PRE-PACKAGED EFI VAULT

CONTRACTOR NOTES:

DO NOT SHIM STATION. IT IS INTENDED THAT THE MAIN FLOOR MEMBERS BE IN CONTINUOUS CONTACT WITH THE CONCRETE PAD.

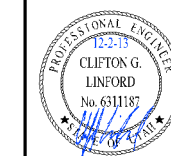
PLEASE NOTE THE ORIENTATION ON THE INLET AND OUTLET PIPE AND ELECTRICAL CONDUIT LOCATIONS IN REFERENCE TO THE JOBSITE LAYOUT.

EFI CANNOT BE HELD RESPONSIBLE UNLESS CONFIRMATION OF THESE ORIENTATIONS IS RECEIVED THROUGH THE APPROVED SUBMITTALS.

THE STATION IS NOT DESIGNED TO ACCEPT PIPELINE FORCES. THRUST BLOCKING MUST BE PROVIDED EXTERNAL TO THE STATION.

INLET PRESSURE: 70-100 PSI
OUTLET PRESSURE: 50 PSI

REV. NO.	COMMENT	DATE



2036 LINCOLN AVE., SUITE 104
OGDEN, UTAH 84401
TEL 801.656.8109 · FAX 801.523.0990
www.sunrise-eng.com

OGDEN CITY

OGDEN CANYON HYDRAULICS
COLDWATER TRAILHEAD
FLOW CONTROL STATION DETAIL

SEI NO.	DESIGNED	DRAWN	CHECKED	SHEET NO.	D1
04310	CL	NC	CL	10 of 18	

P:\ogden city\04310 ogden treatment plant\Design3D\Sheets\ogden Canyon Hydraulics\OCH-D.dwg Dec. 02, 2013 10:59am ndrhistansen