

Isolated Ground Bus: NO		PANEL SCHEDULE "PC1"				Status: NEW
Cabinet: NEMA 1		(TYPICAL UNIT)				
Type: BOLT-ON	Mounting: SURFACE	Voltage: 120/240V.-1Ph.-3W.	Bracing: S.R. 42/10	Mains: 200A. MLO		
Use and/or Area Served	C/B	Cir. No.	Volt-Amperes		Cir. No.	Use and/or Area Served
			Phase A	Phase B		
A LTG & RECEPTS.	20/1	1			2	RECEPTS - SMALL APPLIANCE
A LTG & RECEPTS.	20/1	3			4	RECEPTS - SMALL APPLIANCE
A LTG & RECEPTS.	20/1	5			6	RECEPTS - REFRIGERATOR
A LTG & RECEPTS.	20/1	7			8	RECEPTS - MICROWAVE
A LTG & RECEPTS.	20/1	9			10	RECEPTS - DISPOSAL/DISH WASHER
A LTG & RECEPTS.	20/1	11			12	COOKTOP
A SPARE	20/1	13			14	
A SPARE	20/1	15			16	OVEN
A SMOKE/C.O. DETECTORS	20/1	17			18	
G RECEPTS - BATH	20/1	19			20	SPACE
G RECEPTS - BATH	20/1	21			22	SPACE
G RECEPTS - BATH	20/1	23			24	LAUNDRY
G RECEPTS - GARAGE	20/1	25			26	DRYER
G RECEPTS - EXTERIOR	20/1	27			28	
G RADON FAN	20/1	29			30	HOT TUB
G HEAT TRACE	20/1	31			32	
MAU (5KW)	30/2	33			34	WATER HEATER (5.5KW)
		35			36	
BOILER (10KW)	60/2	37			38	SNOWMELT (10KW)
		39			40	

A - CIRCUIT AFCI PROTECTED  
G - CIRCUIT GFCI PROTECTED

REFER TO LOAD CALCULATIONS

Isolated Ground Bus: NO		PANEL SCHEDULE "PC2"				Status: NEW
Cabinet: NEMA 1		(LOT 124)				
Type: BOLT-ON	Mounting: SURFACE	Voltage: 120/240V.-1Ph.-3W.	Bracing: S.R. 42/10	Mains: 200A. MLO		
Use and/or Area Served	C/B	Cir. No.	Volt-Amperes		Cir. No.	Use and/or Area Served
			Phase A	Phase B		
G A LTG & RECEPTS.	20/1	1			2	RECEPTS - SMALL APPLIANCE
G A LTG & RECEPTS.	20/1	3			4	RECEPTS - SMALL APPLIANCE
G A LTG & RECEPTS.	20/1	5			6	RECEPTS - REFRIGERATOR
G A LTG & RECEPTS.	20/1	7			8	RECEPTS - MICROWAVE
G A LTG & RECEPTS.	20/1	9			10	RECEPTS - DISPOSAL/DISH WASHER
A LTG & RECEPTS.	20/1	11			12	COOKTOP
A LTG & RECEPTS.	20/1	13			14	
A LTG & RECEPTS.	20/1	15			16	OVEN
A SMOKE/C.O. DETECTORS	20/1	17			18	
G RECEPTS - BATH	20/1	19			20	SPACE
G RECEPTS - BATH	20/1	21			22	SPACE
G RECEPTS - BATH	20/1	23			24	LAUNDRY
G RECEPTS - GARAGE	20/1	25			26	DRYER
G RECEPTS - EXTERIOR	20/1	27			28	
G RADON FAN	20/1	29			30	HOT TUB
G HEAT TRACE	20/1	31			32	
MAU (5KW)	30/2	33			34	WATER HEATER (5.5KW)
		35			36	
BOILER (15KW)	80/2	37			38	SNOWMELT (10KW)
		39			40	

A - CIRCUIT AFCI PROTECTED  
G - CIRCUIT GFCI PROTECTED

REFER TO LOAD CALCULATIONS

ELECTRICAL LOAD SUMMARY "PC1"	
TYPICAL UNIT (1,545 S.F. LIVABLE)	
GEN. LTG. @ 3 VA/SQ. FT.	= 4,635 VA
SMALL APPLIANCE (2)	= 3,000 VA
REFRIGERATOR	= 1,500 VA
MICROWAVE/ VENT	= 1,550 VA
DISPOSAL/ DISHWASHER	= 1,500 VA
COOKTOP/ OVEN	= 11,000 VA
LAUNDRY CIRCUIT	= 1,500 VA
DRYER	= 5,000 VA
WATER HEATER	= 5,500 VA
SNOW MELT	= 10,000 VA
HOT TUB	= 5,500 VA
	<b>= 50,685 VA</b>
FIRST 10,000	= 10,000 VA
REMAINDER @ 40%	= 16,274 VA
BOILER	= 10,000 VA
MAU	= 5,000 VA
	<b>= 41,274 VA</b>
41,274 VA/ 240V.	<b>= 172 AMPS</b>

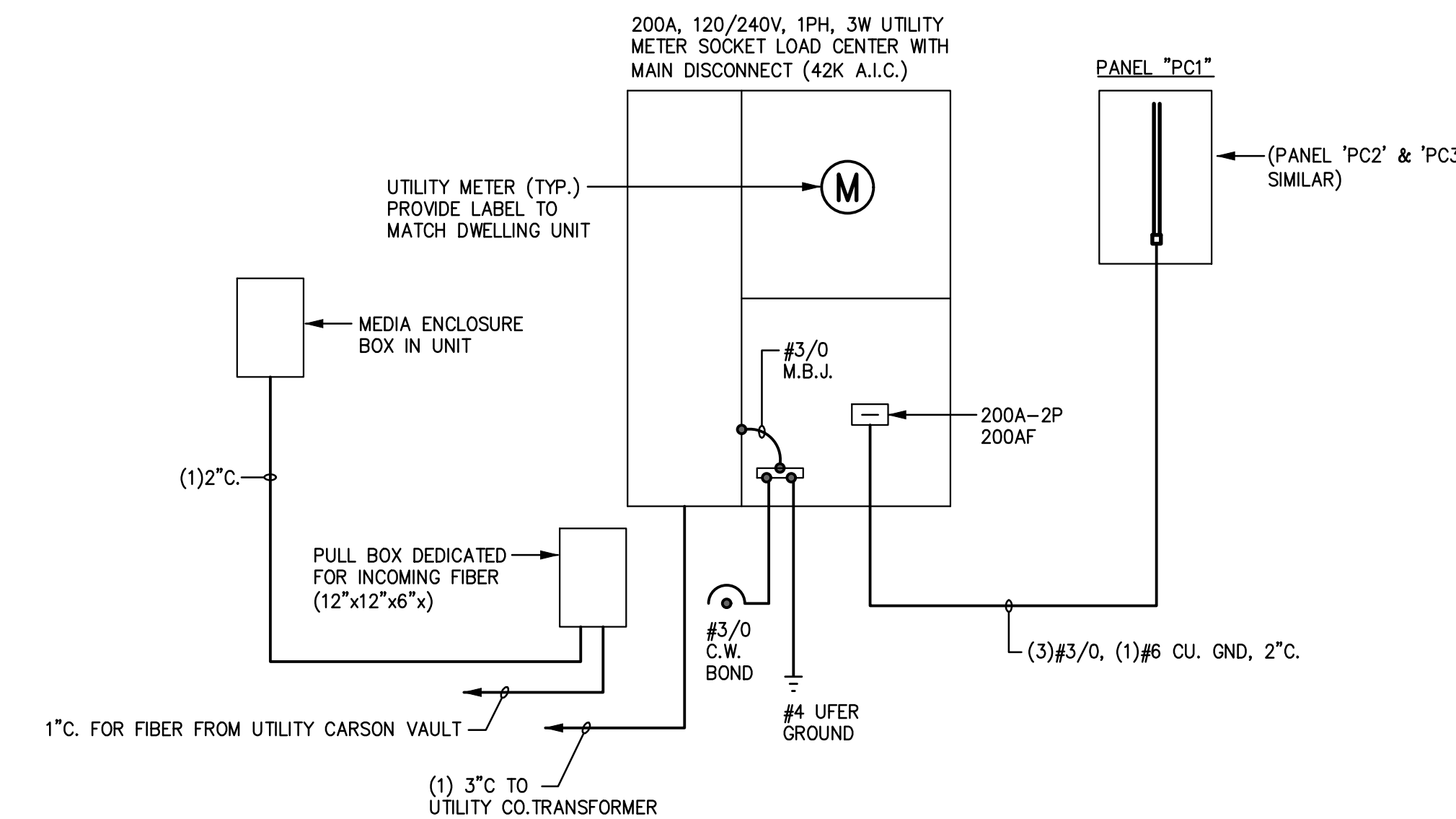
ELECTRICAL LOAD SUMMARY "PC2"	
LOT 124 (2,128 S.F. LIVABLE)	
GEN. LTG. @ 3 VA/SQ. FT.	= 6,384 VA
SMALL APPLIANCE (2)	= 3,000 VA
REFRIGERATOR	= 1,500 VA
MICROWAVE/ VENT	= 1,550 VA
DISPOSAL/ DISHWASHER	= 1,500 VA
COOKTOP/ OVEN	= 11,000 VA
LAUNDRY CIRCUIT	= 1,500 VA
DRYER	= 5,000 VA
WATER HEATER	= 5,500 VA
SNOW MELT	= 10,000 VA
HOT TUB	= 5,500 VA
	<b>= 52,434 VA</b>
FIRST 10,000	= 10,000 VA
REMAINDER @ 40%	= 16,974 VA
BOILER	= 15,000 VA
MAU	= 5,000 VA
	<b>= 46,974 VA</b>
46,974 VA/ 240V.	<b>= 196 AMPS</b>

ELECTRICAL LOAD SUMMARY "PC3"	
LOT 133 (1,803 S.F. LIVABLE)	
GEN. LTG. @ 3 VA/SQ. FT.	= 5,409 VA
SMALL APPLIANCE (2)	= 3,000 VA
REFRIGERATOR	= 1,500 VA
MICROWAVE/ VENT	= 1,550 VA
DISPOSAL/ DISHWASHER	= 1,500 VA
COOKTOP/ OVEN	= 11,000 VA
LAUNDRY CIRCUIT	= 1,500 VA
DRYER	= 5,000 VA
WATER HEATER	= 5,500 VA
SNOW MELT	= 10,000 VA
HOT TUB	= 5,500 VA
	<b>= 51,459 VA</b>
FIRST 10,000	= 10,000 VA
REMAINDER @ 40%	= 16,584 VA
BOILER	= 15,000 VA
MAU	= 5,000 VA
	<b>= 46,584 VA</b>
46,584 VA/ 240V.	<b>= 194 AMPS</b>

Isolated Ground Bus: NO		PANEL SCHEDULE "PC3"				Status: NEW
Cabinet: NEMA 1		(LOT 133)				
Type: BOLT-ON	Mounting: SURFACE	Voltage: 120/240V.-1Ph.-3W.	Bracing: S.R. 42/10	Mains: 200A. MLO		
Use and/or Area Served	C/B	Cir. No.	Volt-Amperes		Cir. No.	Use and/or Area Served
			Phase A	Phase B		
A LTG & RECEPTS.	20/1	1			2	RECEPTS - SMALL APPLIANCE
A LTG & RECEPTS.	20/1	3			4	RECEPTS - SMALL APPLIANCE
A LTG & RECEPTS.	20/1	5			6	RECEPTS - REFRIGERATOR
A LTG & RECEPTS.	20/1	7			8	RECEPTS - MICROWAVE
A LTG & RECEPTS.	20/1	9			10	RECEPTS - DISPOSAL/DISH WASHER
A LTG & RECEPTS.	20/1	11			12	COOKTOP
A LTG & RECEPTS.	20/1	13			14	
A SPARE	20/1	15			16	OVEN
A SMOKE/C.O. DETECTORS	20/1	17			18	
G RECEPTS - BATH	20/1	19			20	SPACE
G RECEPTS - BATH	20/1	21			22	SPACE
G RECEPTS - BATH	20/1	23			24	LAUNDRY
SPACE		25			26	DRYER
SPACE		27			28	
G RADON FAN	20/1	29			30	HOT TUB
G HEAT TRACE	20/1	31			32	
MAU (5KW)	30/2	33			34	WATER HEATER (5.5KW)
		35			36	
BOILER (15KW)	80/2	37			38	SNOWMELT (10KW)
		39			40	

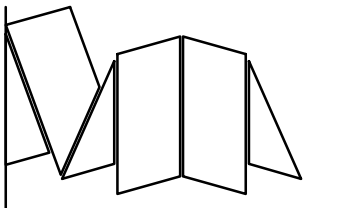
A - CIRCUIT AFCI PROTECTED  
G - CIRCUIT GFCI PROTECTED

REFER TO LOAD CALCULATIONS



**ELECTRICAL ONE-LINE DIAGRAM**

N.T.S.



architect  
STUDIO MA  
130 N Central Avenue No.300  
Phoenix, Arizona 85004  
T 602 251 3800

sma project no.  
16-101

sma project name  
POWDERCAT

COPYRIGHT 2017 STUDIO MA  
This document is an instrument of service and shall remain the property of the Architect, who shall retain all common law, statutory and other reserved rights, including the copyright thereto.

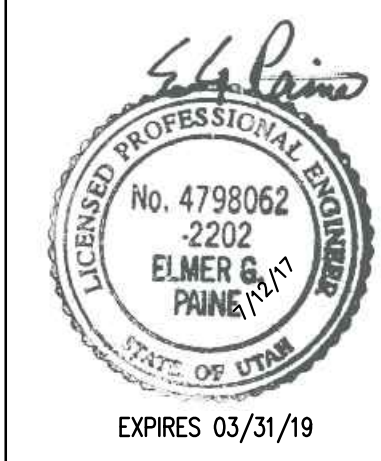
OWNER  
prr powdercat th development, llc  
11180 sunrise valley drive, ste 300  
reston, va 20191  
t (703) 289-2125

CIVIL  
talisman civil consultants  
5217 south state st, ste 200  
murray, ut 84107  
t (801) 743-1308

STRUCTURAL  
rudow+berry, inc.  
4032 n miller rd. a100  
scottsdale, az 85251  
t (480) 946-8171

MECH/PLBG/ELEC  
peterson associates consulting engineers, inc.  
7201 n dreamy draw dr, ste 200  
phoenix, az 85020  
t (602) 388-1732

LANDSCAPE  
langyardt design group  
328 W 200 S  
salt lake city, ut 84101  
t (801) 583-1295



**E3.0**  
ONE-LINE DIAGRAM

N.T.S.  
Scale

CITY COMMENTS  
7/12/2017

PERMIT SET  
phase / rev

2017.06.01  
date

7201 N. Dreamy Draw Drive  
Suite 200  
Phoenix, Arizona 85020  
(602) 943-4116  
Facsimile (602) 943-2507  
www.mpaconsult.com  
Job No. 175170

**PETERSON ASSOCIATES**  
CONSULTING ENGINEERS INC.

ALL CONCEPTS, DESIGNS, AND DATA INDICATED ON THESE DOCUMENTS ARE THE SOLE PROPERTY OF THE PETERSON ASSOC. ENGINEERS, INC. AND SHALL NOT BE USED FOR ANY OTHER PURPOSE THAN ORIGINALLY INTENDED WITHOUT THE WRITTEN PERMISSION OF THE ENGINEER.