

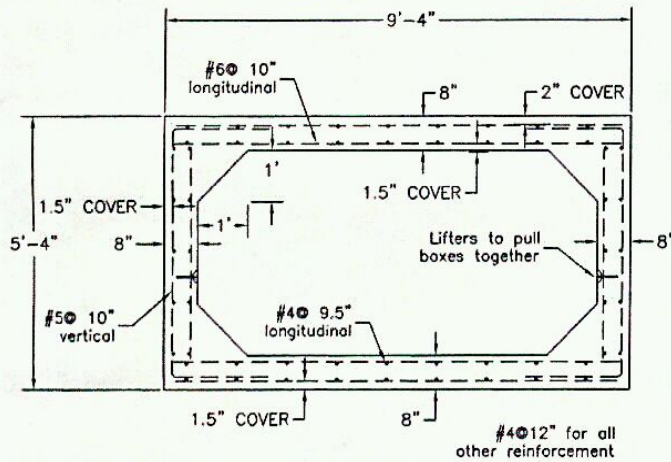
**Robertson Mfg.
INCORPORATED**

SPECIFICATIONS

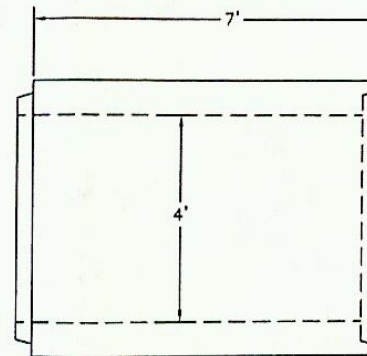
Concrete: class A 5,000 psi minimum
(28 day)-vibrated or well-rodde
ASTM C-1577

Reinforcing: All reinforcing steel shall be
of new stock deformed bars, black bar.

Load Rating: HS20



SECTION VIEW



SIDE VIEW



Manufactured by:
Robertson Manufacturing
207 W Hyde Park Lane
Hyde Park, Utah 84318

General Notes:
All vertical measurements are accurate within ± 1 inch.
Bars splices shall overlap per ACI.

EDEN BOX CULVERT
12-2011
Drawn By: Adam Mackelprang
Scale: 3/8"=1'