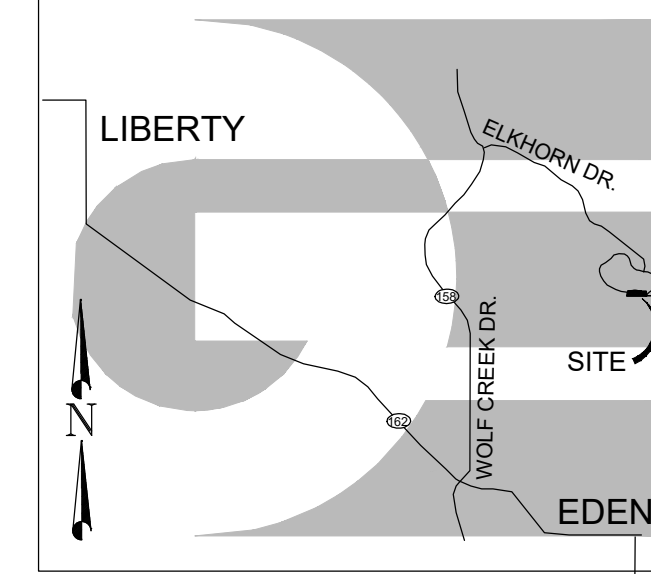


# TRAPPERS RIDGE AT WOLF CREEK P.R.U.D. PHASE 7A

LOCATED IN THE NORTHWEST QUARTER OF SECTION 26,  
TOWNSHIP 7 NORTH, RANGE 1 EAST, SALT LAKE BASE AND MERIDIAN,  
WEBER COUNTY, UTAH  
MARCH 2017

VICINITY MAP  
NOT TO SCALE



BOUNDARY DESCRIPTION

A PART OF THE NORTHWEST QUARTER OF SECTION 26, TOWNSHIP 7 NORTH, RANGE 1 EAST OF THE SALT LAKE BASE AND MERIDIAN, MORE PARTICULARLY DESCRIBED AS FOLLOWS: BEGINNING AT A POINT ON THE NORTHERLY RIGHT-OF-WAY LINE OF BIGHORN PARKWAY, SAID POINT ALSO BEING ON THE EASTERLY LINE OF TRAPPERS RIDGE AT WOLF CREEK P.R.U.D. PHASE 6, BEING LOCATED SOUTH 0°27'53" WEST 1141.15 FEET AND NORTH 90°00'00" EAST 1519.20 FEET FROM THE NORTHWEST CORNER OF SAID SECTION; RUNNING THENCE ALONG THE ARC OF A CURVE TO THE LEFT 64.15 FEET, HAVING A RADIUS OF 270.00 FEET, A CENTRAL ANGLE OF 13°36'49", AND WHICH CHORD BEARS NORTH 87°38'45" EAST 64.00 FEET; THENCE NORTH 80°50'21" EAST 40.13 FEET; THENCE ALONG THE ARC OF A CURVE TO THE RIGHT 354.04 FEET, HAVING A RADIUS OF 930.00 FEET, A CENTRAL ANGLE OF 21°48'42", AND WHICH CHORD BEARS SOUTH 88°15'19" EAST 351.90 FEET; THENCE SOUTH 77°20'58" EAST 30.68 FEET; THENCE ALONG THE ARC OF A CURVE TO THE LEFT 59.61 FEET, HAVING A RADIUS OF 270.00 FEET, A CENTRAL ANGLE OF 12°39'02", AND WHICH CHORD BEARS SOUTH 83°40'29" EAST 59.49 FEET; THENCE NORTH 90°00'00" EAST 85.56 FEET; THENCE ALONG THE ARC OF A CURVE TO THE LEFT 49.75 FEET, HAVING A RADIUS OF 170.00 FEET, A CENTRAL ANGLE OF 16°46'08", AND WHICH CHORD BEARS NORTH 81°36'59" EAST 49.58 FEET TO THE BOUNDARY OF TRAPPERS RIDGE AT WOLF CREEK P.R.U.D. PHASE 3; THENCE ALONG SAID BOUNDARY SOUTH 4°37'00" EAST 173.34 FEET; THENCE CONTINUING ALONG SAID BOUNDARY SOUTH 89°48'08" EAST 432.86 FEET; THENCE SOUTH 0°21'52" WEST 12.00 FEET; THENCE NORTH 89°48'08" WEST 1178.49 FEET TO THE BOUNDARY OF TRAPPERS RIDGE AT WOLF CREEK P.R.U.D. PHASE 6; THENCE ALONG SAID BOUNDARY NORTH 8°28'58" EAST 135.02 FEET; THENCE CONTINUING ALONG SAID BOUNDARY NORTH 30°13'30" EAST 65.27 FEET TO THE POINT OF BEGINNING. CONTAINING 145,780 SQ. FT. OR 3.35 ACRES, MORE OR LESS.

SURVEYOR'S CERTIFICATE

I, KLINT H. WHITNEY, DO HEREBY CERTIFY THAT I AM A LICENSED PROFESSIONAL LAND SURVEYOR IN THE STATE OF UTAH AND THAT I HOLD CERTIFICATE NO. 8227228 IN ACCORDANCE WITH TITLE 58, CHAPTER 22, OF THE PROFESSIONAL ENGINEERS AND LAND SURVEYORS ACT; I FURTHER CERTIFY THAT BY AUTHORITY OF THE OWNERS I HAVE COMPLETED A SURVEY OF THE PROPERTY AS SHOWN AND DESCRIBED ON THIS PLAT, AND HAVE SUBDIVIDED SAID PROPERTY INTO LOTS AND STREETS, TOGETHER WITH EASEMENTS, HEREAFTER TO BE KNOWN AS TRAPPERS RIDGE AT WOLF CREEK P.R.U.D. PHASE 7A IN ACCORDANCE WITH SECTION 17-23-17 AND HAVE VERIFIED ALL MEASUREMENTS; THAT THE REFERENCE MONUMENTS SHOWN HEREON ARE LOCATED AS INDICATED AND ARE SUFFICIENT TO RETRACE OR REESTABLISH THIS SURVEY; THAT ALL LOTS MEET THE REQUIREMENTS OF THE LAND USE CODE; AND THAT THE INFORMATION SHOWN HEREIN IS SUFFICIENT TO ACCURATELY ESTABLISH THE LATERAL BOUNDARIES OF THE HEREIN DESCRIBED TRACT OF REAL PROPERTY.

SIGNED THIS \_\_\_\_\_ DAY OF \_\_\_\_\_, 2017.



KLINT H. WHITNEY, PLS NO. 8227228

OWNER'S DEDICATION

I, THE UNDERSIGNED OWNER OF THE HEREON DESCRIBED TRACT OF LAND, HEREBY SET APART AND SUBDIVIDE THE SAME INTO LOTS, PARCELS AND STREETS AS SHOWN ON THIS PLAT AND NAME SAID TRACT:

TRAPPERS RIDGE AT WOLF CREEK P.R.U.D. PHASE 7A

AND HEREBY DEDICATE, GRANT AND CONVEY TO WEBER COUNTY, UTAH ALL THOSE PARTS OR PORTIONS OF SAID TRACT OF LAND DESIGNATED AS STREETS, THE SAME TO BE USED AS PUBLIC THOROUGHFARES FOREVER, AND ALSO GRANT AND DEDICATE A PERPETUAL EASEMENT OVER, UPON AND UNDER THE LANDS DESIGNATED ON THE PLAT AS PUBLIC UTILITY, THE SAME TO BE USED FOR THE INSTALLATION, MAINTENANCE AND OPERATION OF PUBLIC UTILITY SERVICE LINES, STORM DRAINAGE FACILITIES OR FOR THE PERPETUAL PRESERVATION OF WATER DRAINAGE CHANNELS IN THEIR NATURAL STATE WHOEVER IS APPLICABLE AS MAY BE AUTHORIZED BY WEBER COUNTY, UTAH, WITH NO BUILDINGS OR STRUCTURES BEING ERECTED WITHIN SUCH EASEMENTS, AND ALSO GRANT AND CONVEY TO THE SUBDIVISION LOT (UNIT) OWNER'S ASSOCIATION, ALL THOSE PARTS OR PORTIONS OF SAID TRACT OF LAND DESIGNATED AS COMMON AREAS TO BE USED FOR RECREATIONAL AND OPEN SPACE PURPOSES FOR THE BENEFIT OF EACH LOT (UNIT) OWNER ASSOCIATION MEMBER IN COMMON WITH ALL OTHERS IN THE SUBDIVISION AND GRANT TO WEBER COUNTY A PERPETUAL OPEN SPACE RIGHT AND EASEMENT ON AND OVER THE COMMON AREAS TO GUARANTEE TO WEBER COUNTY THAT THE COMMON AREAS REMAIN OPEN AND UNDEVELOPED EXCEPT FOR APPROVED RECREATIONAL, PARKING AND OPEN SPACE PURPOSES.

SIGNED THIS \_\_\_\_\_ DAY OF \_\_\_\_\_, 2017.

EDEN VILLAGE LLC

BY: RUSS WATTS - MEMBER

ACKNOWLEDGEMENT

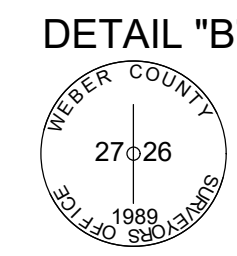
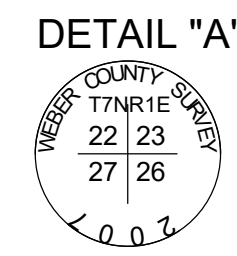
STATE OF UTAH )  
COUNTY OF WEBER )

On this \_\_\_\_\_ day of \_\_\_\_\_, 2017, personally appeared before me RUSS WATTS, whose identity is personally known to me (or proven on the basis of satisfactory evidence) and who by me duly sworn/affirmed, did say that he/she is the MEMBER of EDEN VILLAGE, LLC, and that said document was signed by him/her in behalf of said Corporation by Authority of its Bylaws, or (Resolution of its Board of Directors), and said RUSS WATTS acknowledged to me that said Corporation executed the same.

STAMP

NOTARY PUBLIC

ADDRESS TABLE		
LOT NUMBER	STREET NUMBER	BIG HORN PARKWAY
130	5982 EAST	BIG HORN PARKWAY
131	5988 EAST	BIG HORN PARKWAY
132	5992 EAST	BIG HORN PARKWAY
133	5998 EAST	BIG HORN PARKWAY
134	3315 NORTH	TELLURIDE ROAD
134	3314 NORTH	TELLURIDE ROAD
134	6010 EAST	BIG HORN PARKWAY
135	6014 EAST	BIG HORN PARKWAY
136	6020 EAST	BIG HORN PARKWAY
137	6026 EAST	BIG HORN PARKWAY
138	6032 EAST	BIG HORN PARKWAY
139	6036 EAST	BIG HORN PARKWAY



NOTES

- SUBJECT PROPERTY FALLS WITHIN FEMA FLOOD ZONE "X" - AREAS DETERMINED TO BE OUTSIDE THE 0.2% ANNUAL CHANCE FLOODPLAIN, PER FEMA MAP NO. 49057C0233F WITH A REVISED DATE OF JUNE 2, 2015.

CURVE TABLE					
CURVE #	LENGTH	RADIUS	DELTA	CHORD BEARING	CHORD LENGTH
C1	85.61	300.00	16°20'58"	N89° 00' 50"E	85.32
C2	342.62	900.00	21°48'42"	S88° 15' 19"E	340.55
C3	66.24	300.00	12°39'02"	S83° 40' 29"E	66.10
C4	52.10	200.00	14°55'28"	N82° 32' 19"E	51.95
C5	157.09	900.00	10°00'02"	N85° 50' 21"E	156.89
C6	185.53	900.00	11°48'40"	S83° 15' 18"E	185.20
C7	106.82	330.00	18°32'49"	S89° 53' 15"E	106.36
C8	121.85	870.00	8°01'29"	N84° 51' 05"E	121.75
C9	149.33	870.00	9°50'04"	S82° 16' 00"E	149.15
C10	72.86	330.00	12°39'02"	S83° 40' 29"E	72.71
C11	54.47	230.00	13°34'05"	N83° 13' 00"E	54.34

NARRATIVE

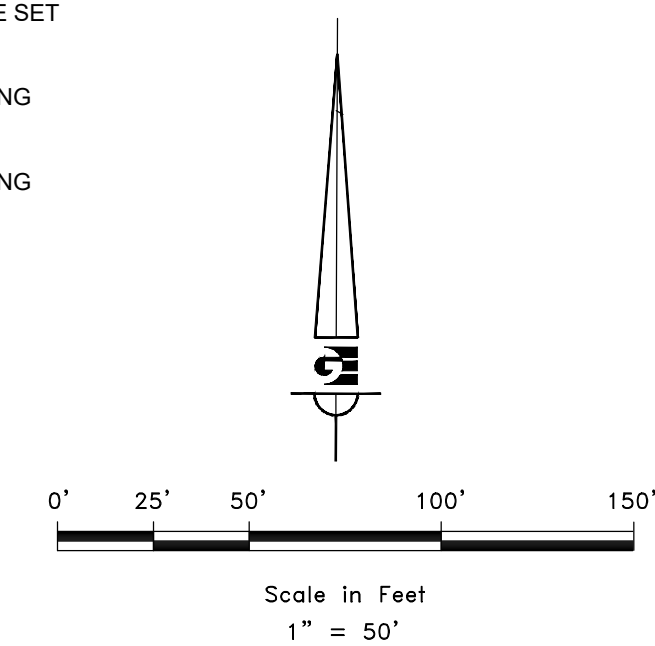
THE PURPOSE OF THIS SURVEY WAS TO CREATE A P.R.U.D. ON PROPERTY NO. 220200027 AND 220200029 AS SHOWN AND DESCRIBED HEREON. THE SURVEY WAS ORDERED BY EDEN VILLAGE LLC. THE CONTROL USED TO ESTABLISH THE BOUNDARY WAS THE EXISTING WEBER COUNTY SURVEY MONUMENTATION AS SHOWN AND NOTED HEREON AND THE EXISTING MONUMENTATION FROM PREVIOUS PHASES OF THE TRAPPERS RIDGE DEVELOPMENT AS SHOWN AND NOTED HEREON. WARRANTY DEED RECORDED AS ENTRY NUMBER 2107754 AND DEDICATED PLATS OF PREVIOUS PHASES OF TRAPPERS RIDGE ALONG WITH OTHER DOCUMENT WE USED TO DETERMINE THE BOUNDARY. THE BASIS OF BEARING IS THE WEST LINE OF THE NORTHWEST QUARTER OF SECTION 26, TOWNSHIP 7 NORTH, RANGE 1 EAST, OF THE SALT LAKE BASE AND MERIDIAN WHICH BEARS SOUTH 0°27'53" WEST WEBER COUNTY, UTAH NORTH, NAD 83 STATE PLANE GRID BEARING.

FOUND NORTHWEST COR SEC 26, T7N, R1E, SLB&M (3" W.C. BRASS CAP, 2007, GOOD COND. FLUSH WITH GROUND) DETAIL "A"

FOUND WEST QUARTER COR SEC 26, T7N, R1E, SLB&M (W.C. 3" BRASS CAP, 1989, GOOD COND. ABOVE GROUND SURFACE) DETAIL "B"

LEGEND

- WEBER COUNTY MONUMENT AS NOTED
- CENTERLINE MONUMENT TO BE SET
- SET 2" REBAR AND CAP MARKED GARDNER ENGINEERING
- FOUND REBAR AND CAP MARKED GARDNER ENGINEERING
- SUBDIVISION BOUNDARY
- LOT (UNIT) LINE
- ADJACENT PARCEL
- SECTION LINE
- EASEMENT
- EXISTING FENCE LINE



WEBER COUNTY SURVEYOR  
I HEREBY CERTIFY THAT THE WEBER COUNTY SURVEYOR'S OFFICE HAS REVIEWED THIS PLAT FOR MATHEMATICAL CORRECTNESS, SECTION CORNER DATA, AND FOR HARMONY WITH LINES AND MONUMENTS ON RECORD IN COUNTY OFFICES. THE APPROVAL OF THIS PLAT BY THE WEBER COUNTY SURVEYOR DOES NOT RELIEVE THE LICENSED LAND SURVEYOR WHO EXECUTED THIS PLAT FROM THE RESPONSIBILITIES AND/OR LIABILITIES ASSOCIATED THEREWITH.  
SIGNED THIS \_\_\_\_\_ DAY OF \_\_\_\_\_, 2017.

WEBER COUNTY ATTORNEY  
I HAVE EXAMINED THE FINANCIAL GUARANTEE AND OTHER DOCUMENTS ASSOCIATED WITH THIS SUBDIVISION PLAT AND IN MY OPINION THEY CONFORM WITH THE COUNTY ORDINANCE APPLICABLE THERETO AND NOW IN FORCE AND EFFECT.  
SIGNED THIS \_\_\_\_\_ DAY OF \_\_\_\_\_, 2017.

WEBER COUNTY ENGINEER  
I HEREBY CERTIFY THAT THE REQUIRED PUBLIC IMPROVEMENT STANDARDS AND DRAWINGS FOR THIS SUBDIVISION CONFORM WITH COUNTY STANDARDS AND THE AMOUNT OF THE FINANCIAL GUARANTEE IS SUFFICIENT FOR THE INSTALLATION OF THESE IMPROVEMENTS.  
SIGNED THIS \_\_\_\_\_ DAY OF \_\_\_\_\_, 2017.

WEBER COUNTY COMMISSION ACCEPTANCE  
THIS IS TO CERTIFY THAT THIS SUBDIVISION PLAT, THE DEDICATION OF STREETS AND OTHER PUBLIC WAYS AND FINANCIAL GUARANTEE OF PUBLIC IMPROVEMENTS ASSOCIATED WITH THIS SUBDIVISION THEREON ARE HEREBY APPROVED AND ACCEPTED BY THE COMMISSIONERS OF WEBER COUNTY, UTAH.  
SIGNED THIS \_\_\_\_\_ DAY OF \_\_\_\_\_, 2017.

WEBER COUNTY PLANNING COMMISSION APPROVAL  
THIS IS TO CERTIFY THAT THIS SUBDIVISION WAS DULY APPROVED BY THE WEBER COUNTY PLANNING COMMISSION.  
SIGNED THIS \_\_\_\_\_ DAY OF \_\_\_\_\_, 2017.

WEBER - MORGAN HEALTH DEPARTMENT  
I DO HEREBY CERTIFY THAT THE SOILS, PERCOLATION RATES, AND SITE CONDITION FOR THIS SUBDIVISION HAVE BEEN INVESTIGATED BY THIS OFFICE AND ARE APPROVED FOR ON-SITE WASTEWATER DISPOSAL SYSTEMS.  
SIGNED THIS \_\_\_\_\_ DAY OF \_\_\_\_\_, 2017.

COUNTY SURVEYOR

COUNTY ATTORNEY

COUNTY ENGINEER

CHAIRMAN, WEBER COUNTY COMMISSION

CHAIRMAN, WEBER COUNTY PLANNING COMMISSION

DIRECTOR WEBER-MORGAN HEALTH DEPT.

DEVELOPER: EDEN VILLAGE LLC 5200 SOUTH HIGHLAND DRIVE SALT LAKE CITY, UTAH	S1 1	COUNTY RECORDER
 CIVIL-LAND PLANNING MUNICIPAL-LAND SURVEYING 5150 SOUTH 575 EAST EDEN, UT OFFICE: 801.476.0202 FAX: 801.476.0066		COUNTY RECORDER