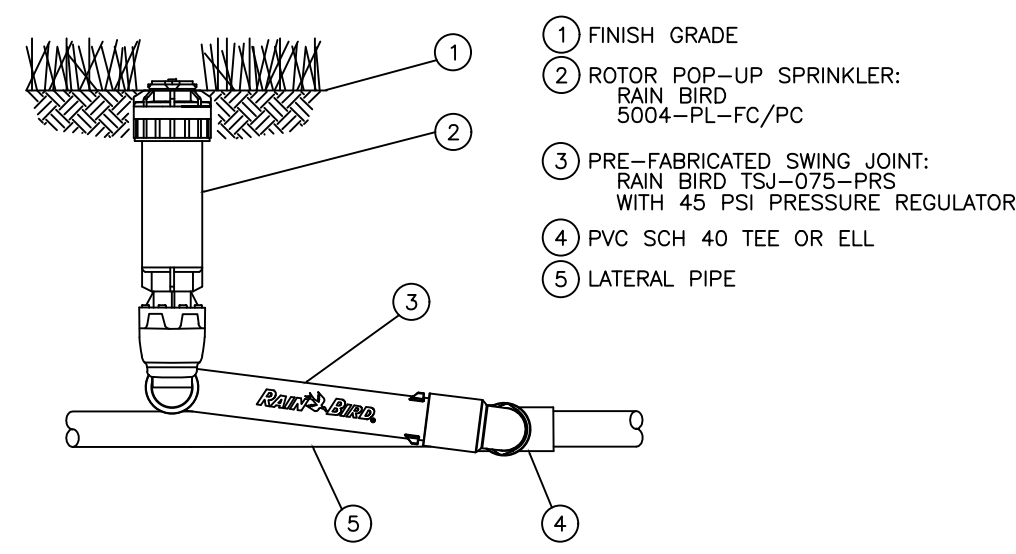


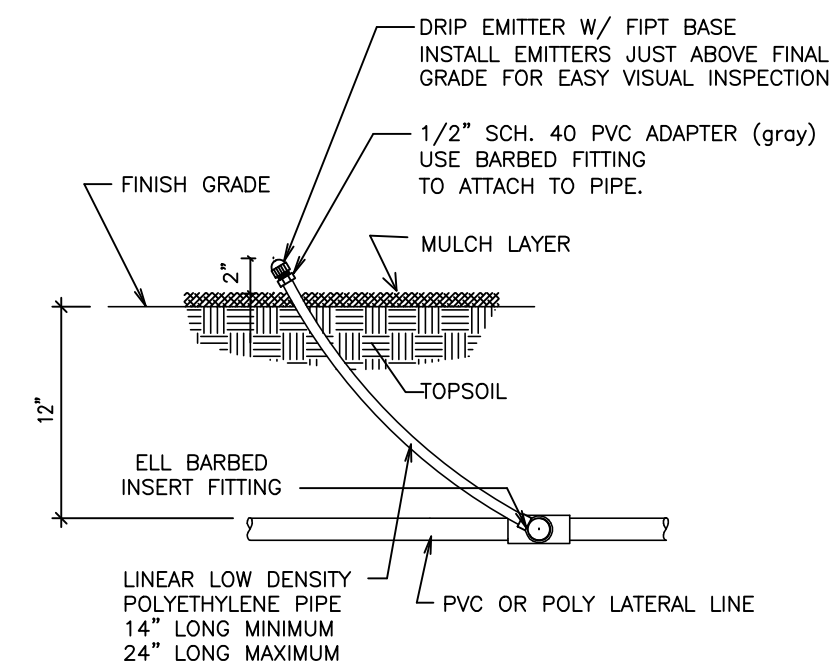
TRENCH SECTION

N.T.S.



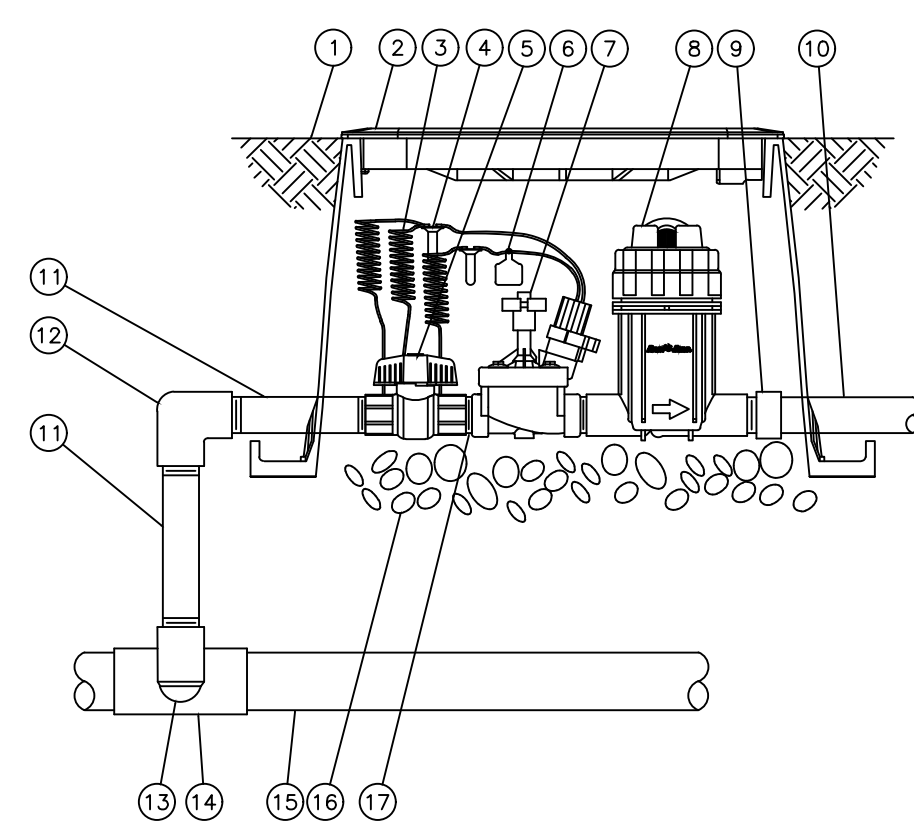
ROTOR POP-UP HEAD

N.T.S. 5004 PLUS



DRIP EMITTER

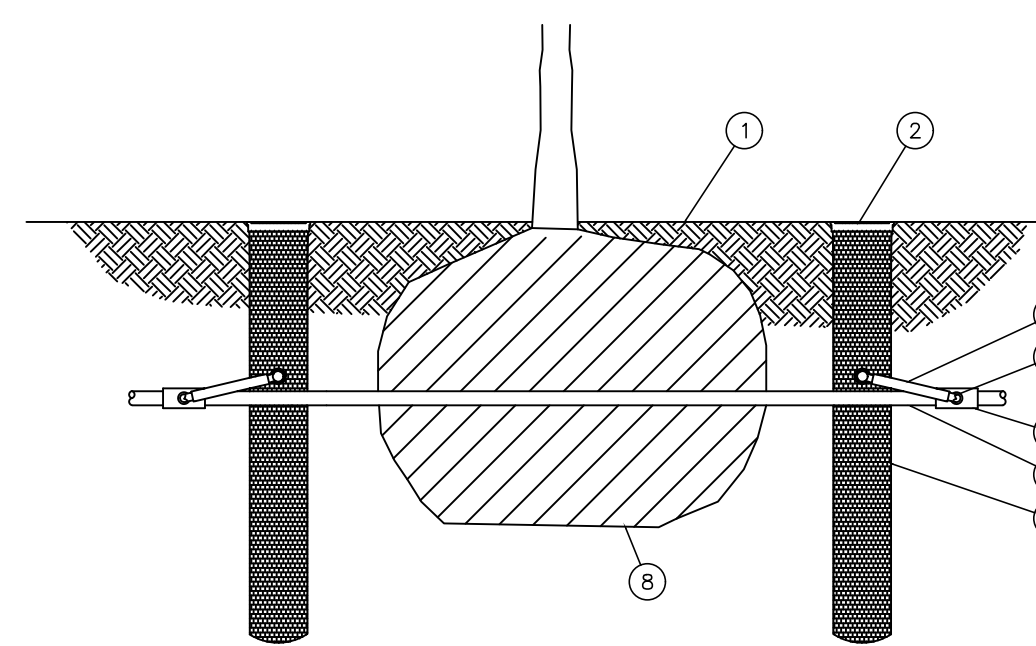
N.T.S.



CONTROL ZONE KIT DRIP VALVE

N.T.S. XCZ-PRB100-COM

- 1 FINISH GRADE/TOP OF MULCH
- 2 VALVE BOX WITH COVER: RAIN BIRD VB-STD
- 3 30-INCH LINEAR LENGTH OF WIRE, COILED
- 4 WATERPROOF CONNECTION: RAIN BIRD DS SERIES
- 5 1-INCH BALL VALVE (INCLUDED IN XCZ-PRB-100-COM KIT)
- 6 ID TAG
- 7 REMOTE CONTROL VALVE: RAIN BIRD PESB (INCLUDED IN XCZ-PRB-100-COM KIT)
- 8 PRESSURE REGULATING QUICK CHECK BASKET FILTER: RAIN BIRD PRB-QCKBK-100 (INCLUDED IN XCZ-PRB-100-COM KIT)
- 9 PVC SCH 40 FEMALE ADAPTOR
- 10 LATERAL PIPE
- 11 PVC SCH 80 NIPPLE (LENGTH AS REQUIRED)
- 12 PVC SCH 40 ELL
- 13 PVC SCH 80 NIPPLE (2-INCH LENGTH, HIDDEN) AND PVC SCH 40 ELL
- 14 PVC SCH 40 TEE OR ELL
- 15 MAINLINE PIPE
- 16 3-INCH MINIMUM DEPTH OF 3/4-INCH WASHED GRAVEL
- 17 PVC SCH 80 NIPPLE, CLOSE (INCLUDED IN XCZ-PRB-100-COM KIT)

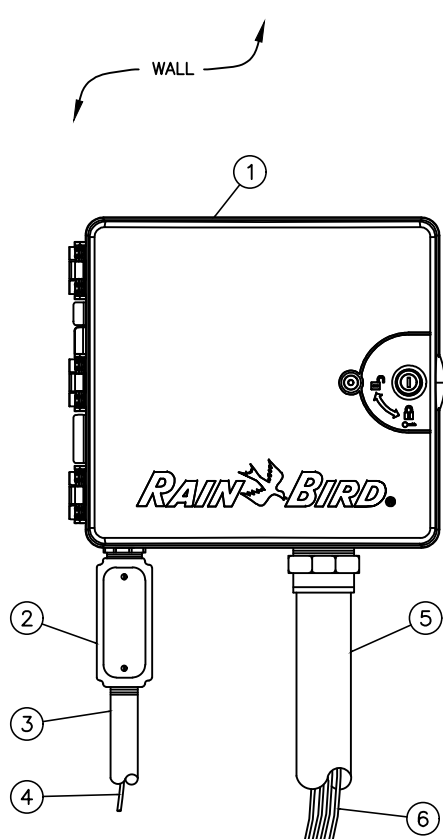


- 1 FINISH GRADE/TOP OF MULCH
- 2 ROOT WATERING SERIES: RAIN BIRD RWS SERIES (1 OF 2 SHOWN, MORE POSSIBLE)
- 3 SWING ASSEMBLY (INCLUDED) (1 OF 2 SHOWN, MORE POSSIBLE)
- 4 1/2-INCH MALE NPT INLET (INCLUDED) (1 OF 2 SHOWN, MORE POSSIBLE)
- 5 PVC SCH 40 TEE OR ELL (1 OF 2 SHOWN, MORE POSSIBLE)
- 6 PVC OR POLYETHYLENE LATERAL PIPE
- 7 OPTIONAL RWS SAND SOCK (RWS-SOCK) FOR SANDY SOILS (1 OF 2 SHOWN, MORE POSSIBLE)
- 8 PLANT ROOT BALL

NOTES:
 1. POSITION 2-3 UNITS (OR MORE) EVENLY SPACED AROUND PLANT. FOR NEW TREES PLACE NEAR ROOT BALL. FOR EXISTING TREES PLACE HALF THE DISTANCE BETWEEN CANOPY EDGE AND TREE TRUNK.
 2. INSTALL PRODUCT WITH TOP EVEN WITH GROUND SURFACE.
 3. RWS SERIES AVAILABLE IN THE FOLLOWING MODELS:
 RWS (NO BUBBLER/EMITTER INCLUDED)
 RWS-B-1401 (0.25 GPM)
 RWS-B-C-1401 (0.25 GPM, CHECK VALVE)
 RWS-B-1402 (0.5 GPM)
 RWS-B-C-1402 (0.5 GPM, CHECK VALVE)
 RWS-B-C-1404 (1.0 GPM, CHECK VALVE)
 4. WHEN INSTALLING IN EXTREMELY HARD OR CLAY SOILS, ADD 1/2" GRAVEL UNDER AND AROUND THE UNIT TO ALLOW FASTER WATER INFILTRATION AND ROOT PENETRATION.
 5. ONCE RWS HAS BEEN INSTALLED FILL THE BASKET WITH PEA GRAVEL BEFORE LOCKING LID.

RWS ROOT WATERING SYSTEM

N.T.S. INSTALLATION FOR TREES

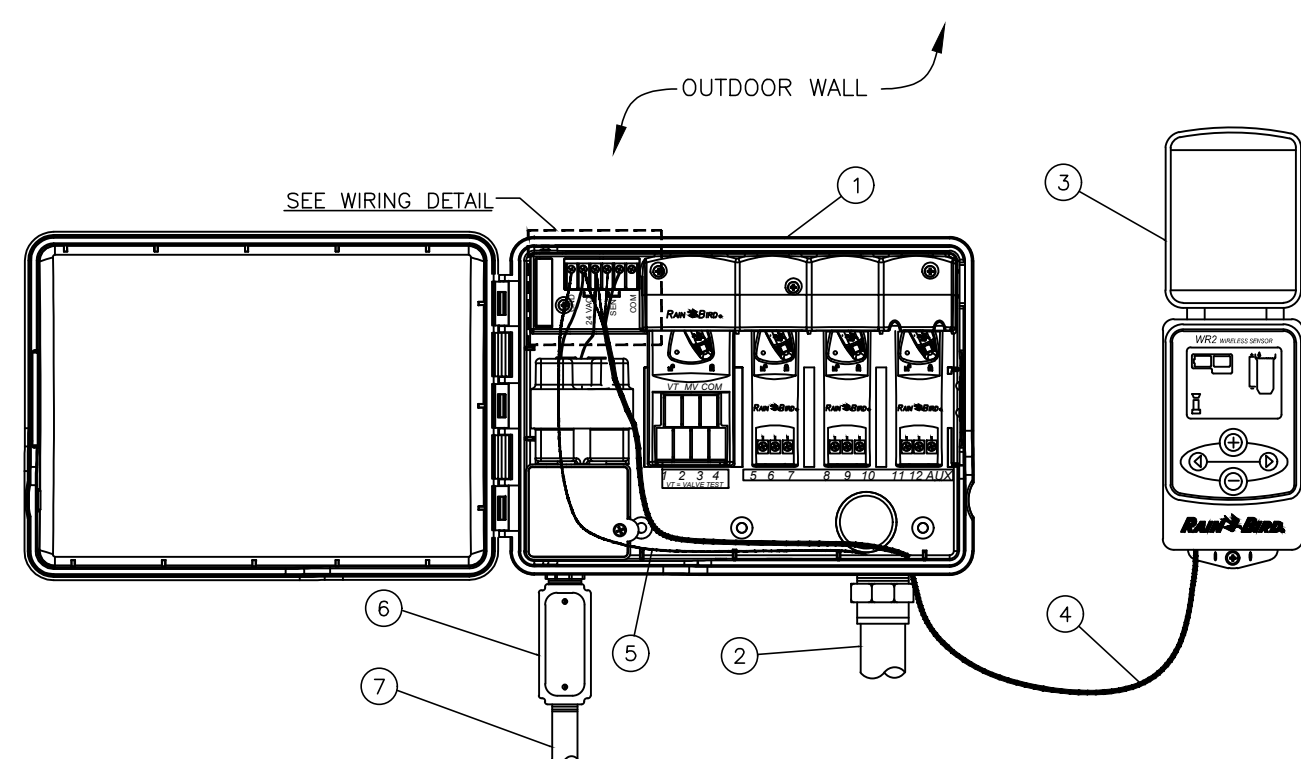


ESP-LXME CONTROLLER

N.T.S. IN PLASTIC CABINET FOR OUTSIDE MOUNT

- 1 IRRIGATION CONTROLLER: RAIN BIRD ESP-LXME CONTROLLER IN PLASTIC CABINET WITH WALL MOUNT. INSTALL CONTROLLER AND CABINET ON WALL PER MANUFACTURER'S RECOMMENDATIONS.
- 2 JUNCTION BOX
- 3 1-INCH CONDUIT AND FITTINGS TO POWER SUPPLY
- 4 POWER SUPPLY WIRE
- 5 2-INCH CONDUIT AND FITTINGS FOR STATION WIRES
- 6 WIRES TO REMOTE CONTROL VALVES

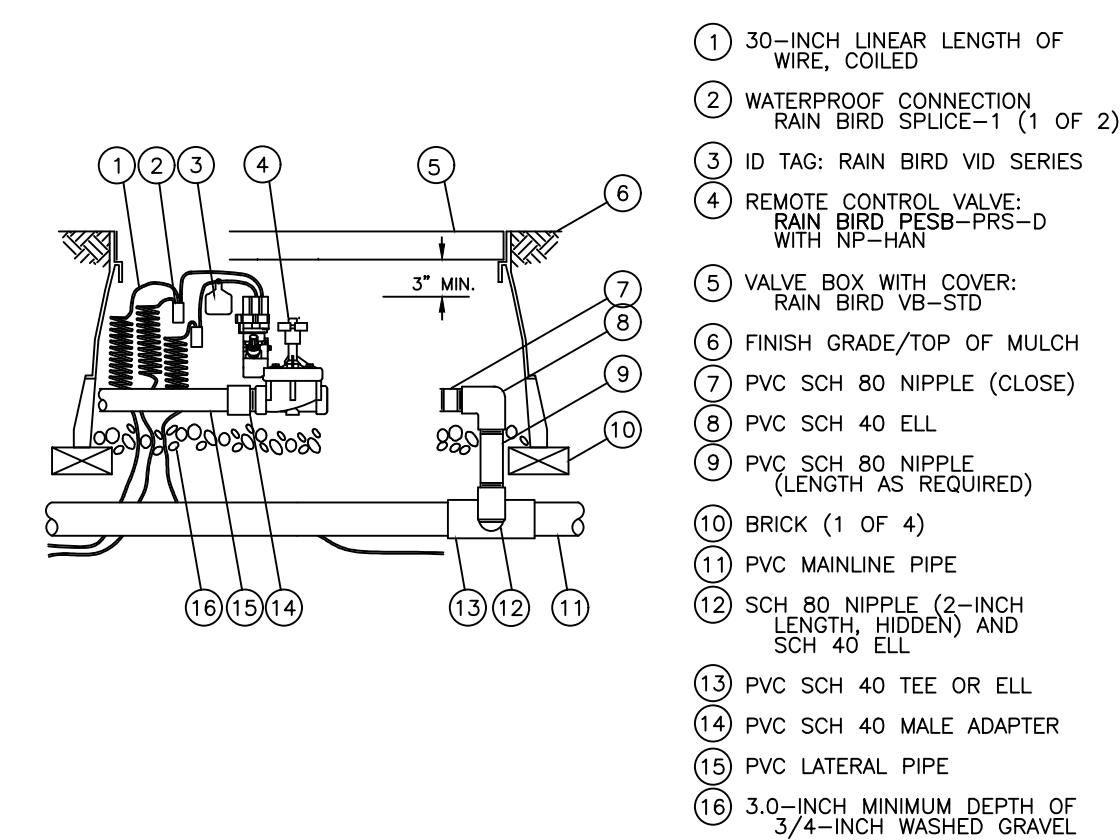
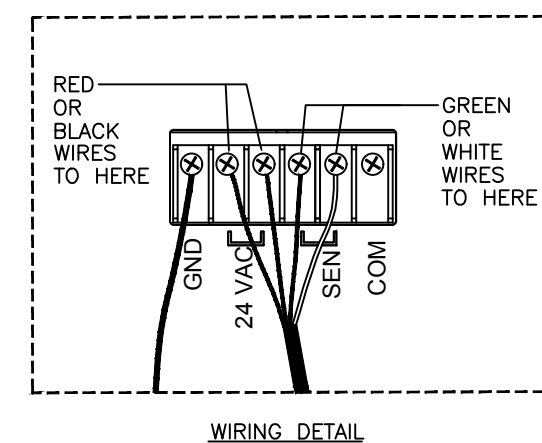
NOTES:
 1. ESP-LXME CONTROLLER IS AVAILABLE IN 8- OR 12-STATION BASE MODELS. ADDITIONAL MODULES IN 4-, 8- AND 12-STATION VERSIONS MAY BE ADDED TO BRING THE CONTROLLER UP TO 48 STATIONS MAXIMUM.
 2. FOR EASE OF INSTALLATION INTO A CONTROLLER WITH MORE THAN 24 STATIONS, INSTALL A JUNCTION BOX AT THE BASE OF CONTROLLER AND TRANSITION LARGER VALVE AND COMMON WIRES FROM FIELD TO 18 AWG MULTI CONDUCTOR WIRE TO BE USED IN CONTROLLER.
 3. USE STEEL CONDUIT FOR ABOVE GRADE AND SCH 40 PVC CONDUIT FOR BELOW GRADE CONDITIONS.
 4. PROVIDE PROPER GROUNDING COMPONENTS TO ACHIEVE GROUND RESISTANCE OF 10 OHMS OR LESS.



WIRELESS RAIN SENSOR-OUTDOOR

N.T.S. WR2 SERIES CONTROLLER INTERFACE

NOTES:
 1. FOR BEST PERFORMANCE, THE CONTROLLER INTERFACE SHOULD BE INSTALLED AT LEAST FIVE FEET ABOVE THE GROUND.
 2. IT IS RECOMMENDED THAT THE CONTROLLER INTERFACE BE INSTALLED AWAY FROM SOURCES OF ELECTRICAL INTERFERENCE (SUCH AS TRANSFORMERS, GENERATORS, PUMPS, FANS, ELECTRICAL METER BOXES) AND METAL OBJECTS TO MAXIMIZE COMMUNICATION RANGE.



ELECTRIC REMOTE CONTROL VALVE

N.T.S. PEB OR PEB SERIES

Reeve & Associates, Inc.
 920 CHAMBERS STREET, SUITE 14, OGDEN, UTAH 84403
 TEL: (801) 821-3100 FAX: (801) 821-2666 WWW.REEVE-ASSOC.COM
 LAND PLANNERS • CIVIL ENGINEERS • LAND SURVEYORS
 ARCHITECTS • STRUCTURAL ENGINEERS • LANDSCAPE ARCHITECTS

REVISIONS	DATE	DESCRIPTION
	9-17-15	E.R. LAYOUT UPDATES
	1-20-17	C.C. LAYOUT UPDATES
	2-09-17	C.C. LAYOUT UPDATES

Wangsgard Property
 PART OF THE SE 1/4 OF SECTION 18, T.6N., R. 2E., S.1.B. & M., U.S. SURVEY
 HUNTSVILLE, WEBER COUNTY, UTAH

Irrigation Details

Project Info.
 Engineer: N. Reeve
 Designer: C. Cave
 Begin Date: Sept. 17, 2013
 Name: WANGSGARD PROPERTY
 Number: 6260-01

Sheet **3**
 L3 Sheets

Wangsgard Property

Huntsville City, Weber County, Utah

DEVELOPER:

Kerry Wangsgard
 1322 E 2400 N
 North Ogden, UT 84414
 (801) 388-3114

Revised: 3-10-17