

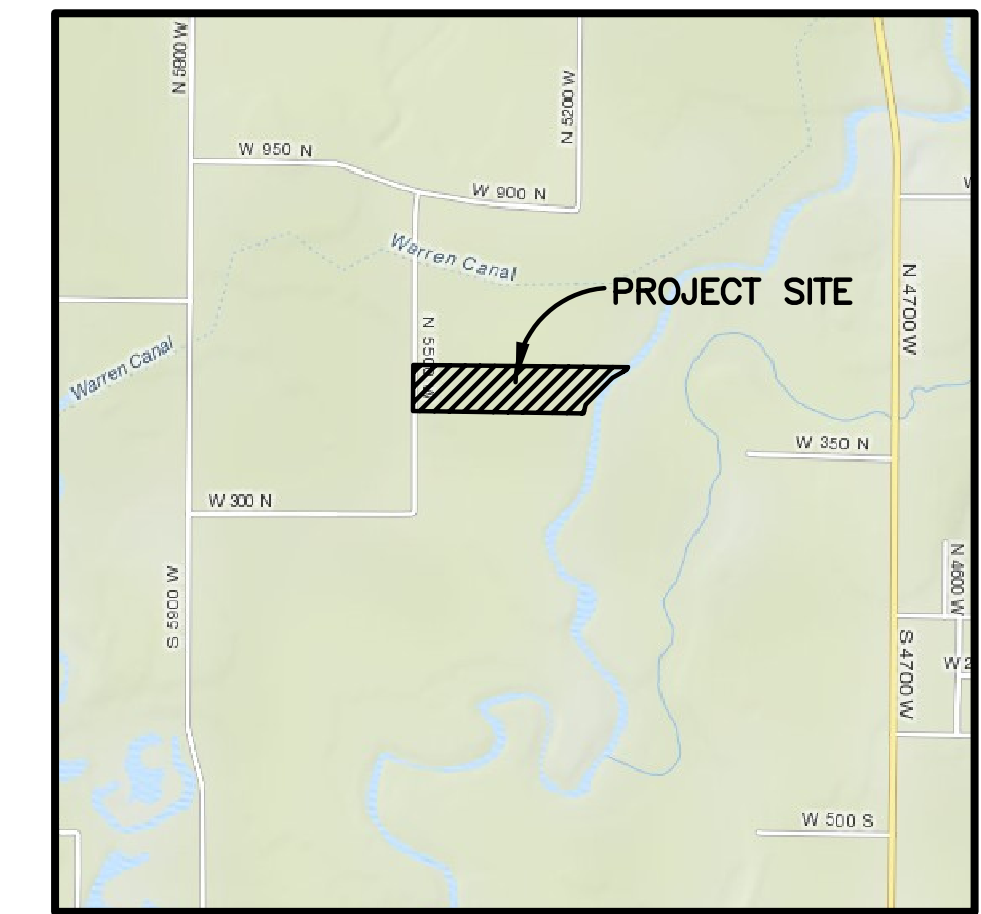
Project Narrative/Notes/Revisions

- 1) 4/1/11 RH - PREPARED PLANS FOR CLIENT.
- 2) 4/14/11 RH - REVISED PLANS PER COUNTY COMMENTS.
- 3) 6/15/11 RH - REVISED PLANS PER COUNTY COMMENTS.

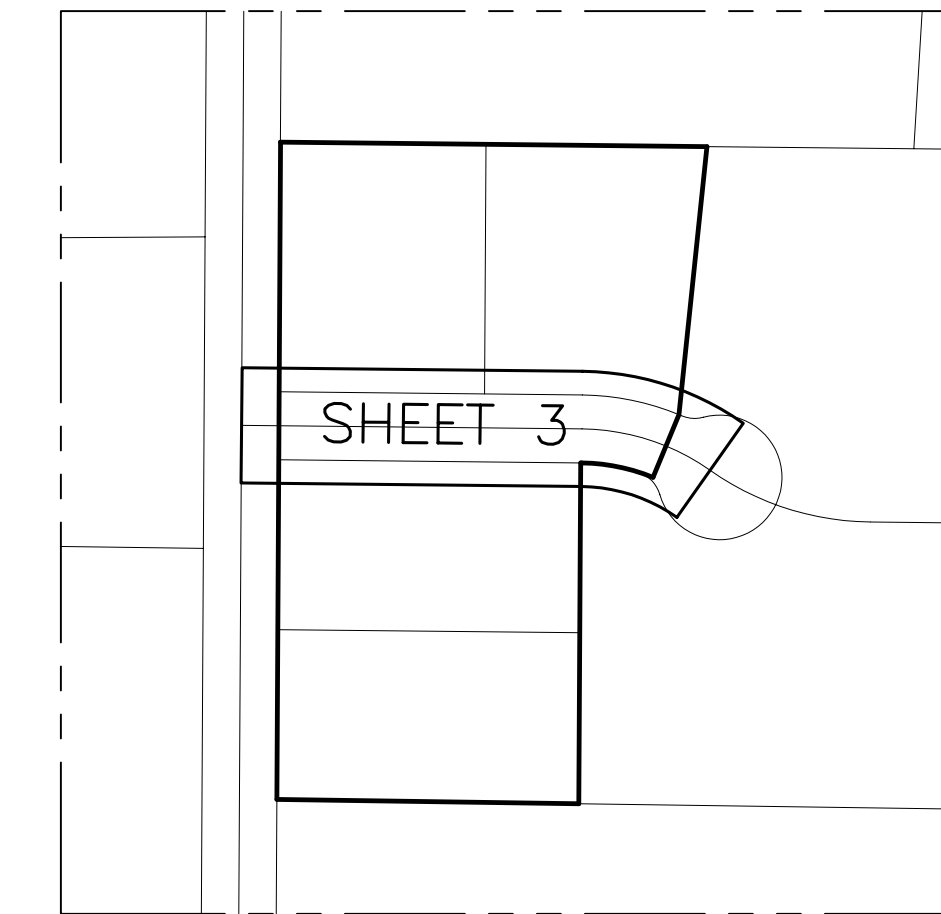
FENSTER FARM SUBDIVISION

Phase-1 Improvement Plans

WARREN, WEBER COUNTY, UTAH
MARCH, 2011



Vicinity Map
NOT TO SCALE

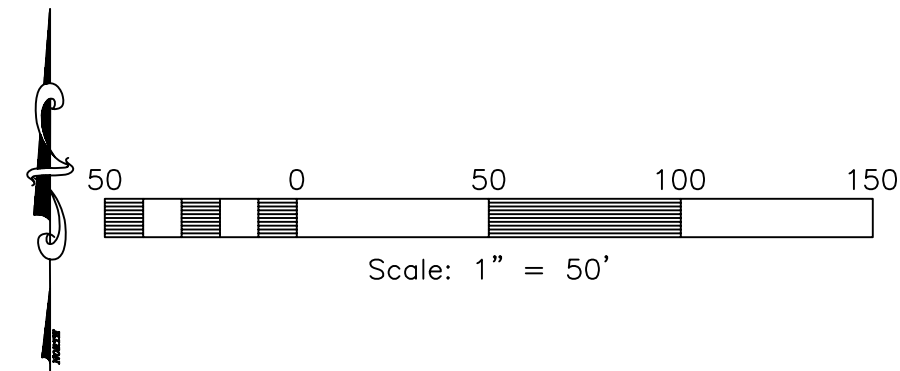
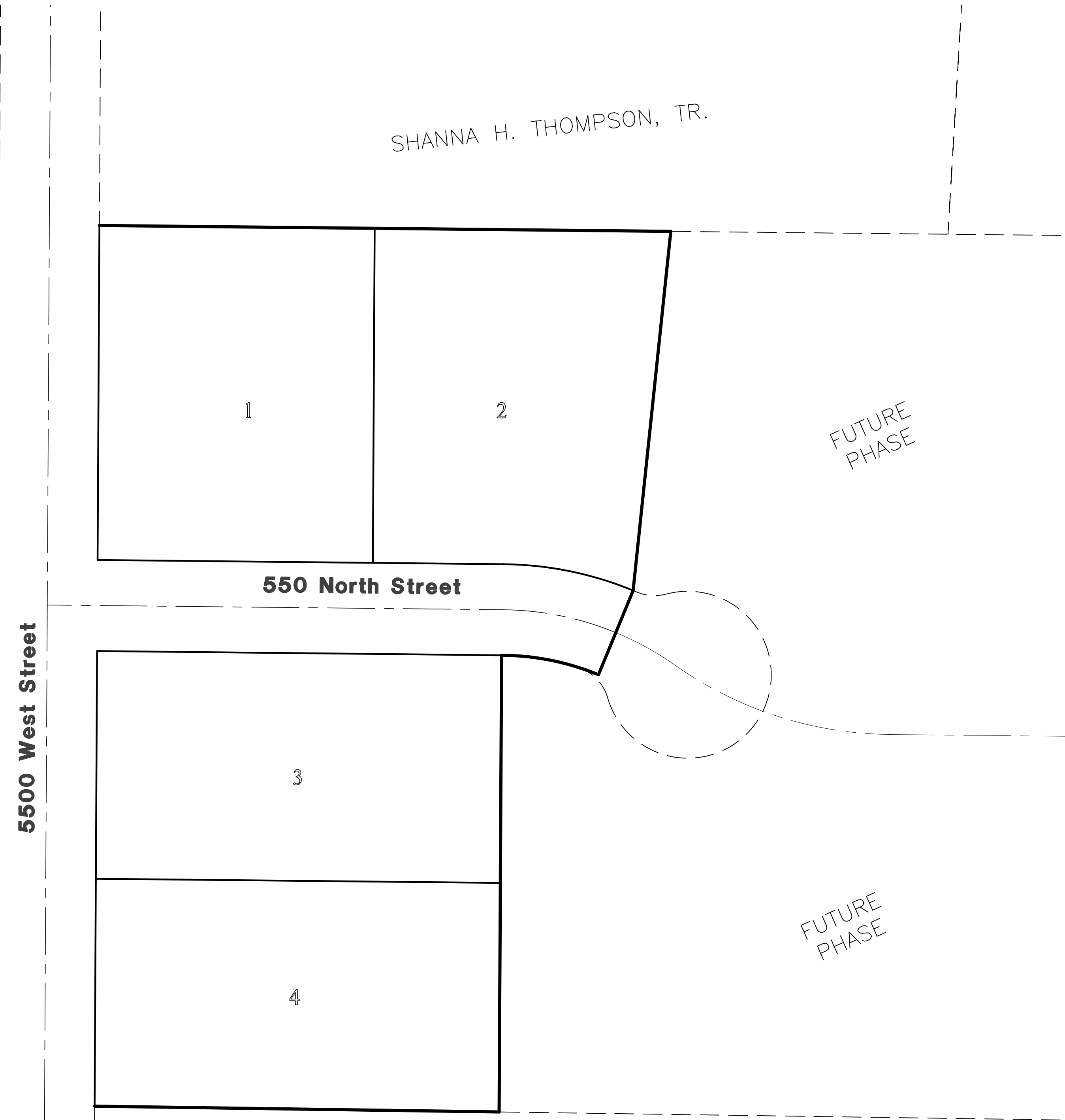


Sheet Index Key Map
NOT TO SCALE

Sheet Index

- Sheet 1 - Cover/Index Sheet
- Sheet 2 - Street Cross-Sections/Legend/Notes
- Sheet 3 - 550 North Street 10+00.00 - 15+50.00
- Sheet 4 - Overall Secondary Water Plan & 5500 West Ditch Piping Plan
- Sheet 5 - Storm Water Pollution Prevention Plan
- Sheet 6 - Storm Water Pollution Prevention Plan

FEMA NOTE:
FINISHED FLOOR ELEVATIONS WILL NEED TO BE 1' ABOVE THE FLOOD PLAIN THAT WILL BE DETERMINED BY THE FEMA STUDY CURRENTLY BEING DONE.



General Notes

1. CONSTRUCTION STAKING TO BE PROVIDED BY REEVE & ASSOCIATES, INC.
2. ANY MODIFICATION TO THIS CONSTRUCTION PACKAGE OR TO THE CONSTRUCTION SCHEDULE SHALL BE APPROVED BY THE ENGINEER. PRIOR TO SAID APPROVAL, ALL IMPROVEMENT DRAWINGS SHALL BE RESUBMITTED AND APPROVED BY THE ARCHITECT.
3. THE CONTRACTOR SHALL LOCATE, RETAIN AND PROTECT ALL EXISTING UTILITIES UNLESS OTHERWISE DIRECTED BY THE OWNER OR OWNER'S REPRESENTATIVE.
4. THE CONTRACTOR SHALL MAINTAIN 10 FOOT HORIZONTAL AND 18 INCH VERTICAL SEPARATION, CULINARY WATER LINES, SANITARY SEWER, AND STORM DRAIN LINES.
5. THE CONTRACTOR SHALL INSTALL ALL SANITARY SEWER MAINS, SERVICE LINES AND STORM DRAIN LINES PRIOR TO INSTALLING ANY WATER SYSTEM IMPROVEMENTS. ADJUST WATER MAINS FROM 4'-6" TO 6'-6" OF COVER AS REQUIRED TO AVOID SANITARY SEWER SERVICE LINES.
6. SIDEWALKS SHALL BE FOUR INCHES THICK, UNLESS FRONTING DRIVEWAY, THEN SIX INCHES THICK.
7. CONTRACTOR SHALL NOTIFY ENGINEER OF ALL UTILITY CONFLICTS UPON DISCOVERY.
8. CONTRACTOR SHALL COORDINATE CONSTRUCTION AND INSTALLATION OF ELECTRICAL, TELEPHONE, NATURAL GAS AND CABLE TV SERVICES WITH THE RESPECTIVE UTILITY COMPANY. OWNER SHALL PAY ALL ASSOCIATED UTILITY COMPANY FEES.
9. CONTRACTOR SHALL BE RESPONSIBLE FOR PROPER SLOPE AND CONSTRUCTION OF CONNECTING SEWER PIPING.
10. CONTRACTOR SHALL BE RESPONSIBLE OF PROPER BACKFILLING, COMPACTING, AND PAVEMENT RESTORATION.
11. CONTRACTOR TO OBTAIN ALL NECESSARY PERMIT(S) AND COMPLY WITH ALL PERMITTING REQUIREMENTS.
12. ALL THRUST BLOCKS SHALL BE POURED IN PLACE AGAINST UNDISTURBED SOIL. ALL VALVES, FITTINGS, AND APPURTENANCES TO BE BLOCKED.
13. ALL EXPOSED NUTS AND BOLTS WILL BE COATED WITH A NON-OXIDE WASH AND WRAPPED IN 8-MIL POLYETHYLENE.
14. CONTRACTOR SHALL BE RESPONSIBLE FOR DUST CONTROL ACCORDING TO GOVERNING AGENTS STANDARDS. WET DOWN DRY MATERIALS AND RUBBISH TO PREVENT BLOWING.
15. CONTRACTOR SHALL BE RESPONSIBLE FOR ANY DAMAGE TO ADJACENT SURFACE IMPROVEMENTS DURING CONSTRUCTION.
16. CONTRACTOR SHALL BE RESPONSIBLE FOR CORRECTING ANY SETTLEMENT OF OR DAMAGE TO EXISTING UTILITIES.
17. ALL EXISTING ASPHALT SHALL BE SAW CUT IN NEAT STRAIGHT LINES BY THE CONTRACTOR PRIOR TO EXCAVATION.
18. CONTRACTOR TO INSTALL MAGNETIC LOCATING TAPE CONTINUOUSLY OVER ALL PVC PIPING.
19. THE CONTRACTOR IS RESPONSIBLE TO FURNISH ALL MATERIALS TO COMPLETE PROJECT.
20. TRAFFIC CONTROL IS TO CONFORM TO THE CURRENT CITY AND/OR STATE TRANSPORTATION ENGINEERS' MANUAL.
21. A UPDES GENERAL CONSTRUCTION STORM WATER PERMIT MUST BE OBTAINED PRIOR TO COMMENCING CONSTRUCTION.
22. ALL WORK SHALL CONFORM TO THE CURRENT EDITION OF THE APWA AND CITY SPECIFICATIONS AND DRAWINGS.

Engineer's Notice To Contractors

THE EXISTENCE AND LOCATION OF ANY UNDERGROUND UTILITY PIPES OR STRUCTURES SHOWN ON THESE PLANS WERE OBTAINED FROM AVAILABLE INFORMATION PROVIDED BY OTHERS. THE LOCATIONS SHOWN ARE APPROXIMATE AND SHALL BE CONFIRMED IN THE FIELD BY THE CONTRACTOR, SO THAT ANY NECESSARY ADJUSTMENT CAN BE MADE IN ALIGNMENT AND/OR GRADE OF THE PROPOSED IMPROVEMENT. THE CONTRACTOR IS REQUIRED TO CONTACT THE UTILITY COMPANIES AND TAKE DUE PRECAUTIONARY MEASURE TO PROTECT ANY UTILITY LINES SHOWN, AND ANY OTHER LINES OBTAINED BY THE CONTRACTOR'S RESEARCH, AND OTHERS NOT OF RECORD OR NOT SHOWN ON THESE PLANS.

Contact:
Allan Karras
Century 21
2609 N. Main
Sunset, Utah 84015
PH: (801) 564-0909

Blue Stakes Location Center
Call: Toll Free 1-800-662-4111
Two Working Days Before You Dig

Reeve & Associates, Inc.
4155 S. HARRISON BLVD., SUITE 310, OGDEN, UTAH 84403
TEL: (801) 627-3100 FAX: (801) 627-2668 www.reeve-assoc.com
RURAL ENGINEERS • STRUCTURAL ENGINEERS • LANDSCAPE ARCHITECTS

DATE	DESCRIPTION
4-14-11	RH County Comments
6-15-11	RH County Comments

Reeve & Associates, Inc. - Solutions You Can Build On

Fenster Farm Subdivision Phase-1
WARREN, WEBER COUNTY, UTAH

Cover/Index Sheet

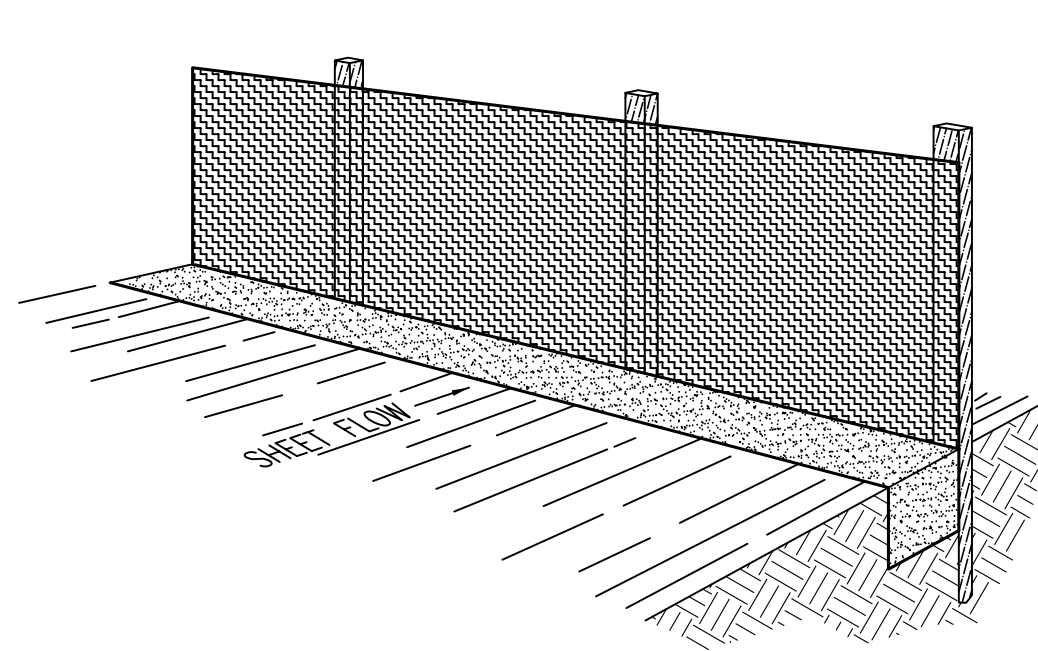
Project Info.

Engineer: J. NATE REEVE, P.E.
 Drafter: R. HANSEN
 Begin Date: MARCH 16, 2011
 Name: FENSTER FARM SUBDIVISION
 PHASE-1
 Number: 1714-26

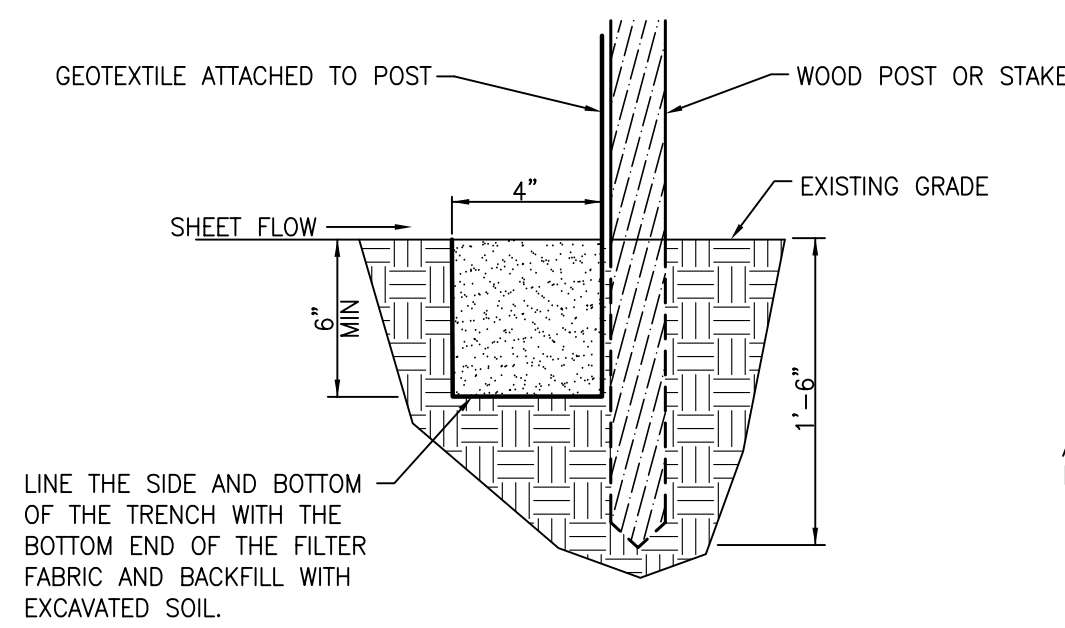
Sheet	6
1	Sheets

Notes:

- Describe all BMP's to protect storm water inlets:
All storm water inlets to be protected by straw wattle barriers, or gravel bags (see detail).
- Describe BMP's to eliminate/reduce contamination of storm water from:
 - Equipment / building / concrete wash areas:
To be performed in designated areas only and surrounded with silt fence barriers.
 - Soil contaminated by soil amendments:
If any contaminants are found or generated, contact environmental engineer and contacts listed.
 - Areas of contaminated soil:
If any contaminants are found or generated, contact environmental engineer and contacts listed.
 - Fueling area:
To be performed in designated areas only and surrounded with silt fence.
 - Vehicle maintenance areas:
To be performed in designated areas only and surrounded with silt fence.
 - Vehicle parking areas:
To be performed in designated areas only and surrounded with silt fence.
 - Equipment storage areas:
To be performed in designated areas only and surrounded with silt fence.
 - Materials storage areas:
To be performed in designated areas only and surrounded with silt fence.
 - Waste containment areas:
To be performed in designated areas only and surrounded with silt fence.
 - Service areas:
To be performed in designated areas only and surrounded with silt fence.
- BMP's for wind erosion:
Stockpiles and site as needed to be watered regularly to eliminate / control wind erosion
- Construction Vehicles and Equipment:
 - Maintenance
 - Maintain all construction equipment to prevent oil or other fluid leaks.
 - Keep vehicles and equipment clean, prevent excessive build-up of oil and grease.
 - Regularly inspect on-site vehicles and equipment for leaks, and repair immediately.
 - Check incoming vehicles and equipment (including delivery trucks, and employee and subcontractor vehicles) for leaking oil and fluids. Do not allow leaking vehicles or equipment on-site.
 - Segregate and recycle wastes, such as greases, used oil or oil filters, antifreeze, cleaning solutions, automotive batteries, hydraulic, and transmission fluids.
 - Fueling
 - If fueling must occur on-site, use designated areas away from drainage.
 - Locate on-site fuel storage tanks within a bermed area designed to hold the tank volume.
 - Cover retention area with an impervious material and install in a manner to ensure that any spills will be contained in the retention area. To catch spills or leaks when removing or changing fluids.
 - Use drip pans for any oil or fluid changes.
 - Washing
 - Use as little water as possible to avoid installing erosion and sediment controls for the wash area.
 - If washing must occur on-site, use designated, bermed wash areas to prevent waste water discharge into storm water, creeks, rivers, and other water bodies.
 - Use phosphate-free, biodegradable soaps.
 - Do not permit steam cleaning on-site.
- Spill Prevention and Control
 - Minor Spills:
Minor spills are those which are likely to be controlled by on-site personnel. After contacting local emergency response agencies, the following actions should occur upon discovery of a minor spill:
 - Contain the spread of the spill.
 - If the spill occurs on paved or impermeable surfaces, clean up using "dry" methods (i.e. absorbent materials, cat litter, and / or rags).
 - If the spill occurs in dirt areas, immediately contain the spill by constructing an earth dike. Dig up properly dispose of contaminated soil.
 - If the spill occurs during rain, cover the impacted area to avoid runoff.
 - Record all steps taken to report and contain spill.
 - Major Spills:
On-site personnel should not attempt to control major spills until the appropriate and qualified emergency response staff have arrived at the site. For spills of federal reportable quantities, also notify the National Response Center at (800) 424-8802. A written report should be sent to all notified authorities. Failure to report major spills can result in significant fines and penalties.
- Post Roadway / Utility Construction
 - Maintain good housekeeping practices.
 - Enclose or cover building material storage areas.
 - Properly store materials such as paints and solvents.
 - Store dry and wet materials under cover, away from drainage areas.
 - Avoid mixing excess amounts of fresh concrete or cement on-site.
 - Perform washout of concrete trucks offsite or in designated areas only.
 - Do not wash out concrete trucks into storm drains, open ditches, streets or streams.
 - Do not place material or debris into streams, gutters or catch basins that stop or reduce the flow of runoff water.
 - All public streets and storm drain facilities shall be maintained free of building materials, mud and debris caused by grading or construction operations. Roads will be swept within 1000' of construction entrance daily, if necessary.
 - Install straw wattle around all inlets contained within the development and all others that receive runoff from the development.
- Erosion Control Plan Notes
 - The contractor will designate an emergency contact that can be reached 24 hours a day 7 days a week.
 - A stand-by crew for emergency work shall be available at all times during potential rain or snow runoff events. Necessary materials shall be available on site and stockpiled at convenient locations to facilitate rapid construction of emergency devices when rain or runoff is eminent.
 - Erosion control devices shown on the plans and approved for the project may not be removed without approval of the engineer of record. If devices are removed, no work may continue that have the potential of erosion without consulting the engineer of record. If deemed necessary erosion control should be reestablished before this work begins.
 - Graded areas adjacent to fill slopes located at the site perimeter must drain away from the top of the slope at the conclusion of each working day. This should be confirmed by survey or other means acceptable to the engineer of record.
 - All silt and debris shall be removed from all devices within 24 hours after each rain or runoff event.
 - Except as otherwise approved by the inspector, all removable protective devices shown shall be in place at the end of each working day and through weekends until removal of the system is approved.
 - All loose soil and debris, which may create a potential hazard to offsite property, shall be removed from the site as directed by the Engineer of record of the governing agency.
 - The placement of additional devices to reduce erosion damage within the site is left to the discretion of the Engineer of record.
 - Desilting basins may not be removed or made inoperable without the approval of the engineer of record and the governing agency.
 - Erosion control devices will be modified as need as the project progresses, and plans of these changes submitted for approval by the engineer of record and the governing agency.
- Conduct a minimum of one inspection of the erosion and sediment controls every two weeks. Maintain documentation on site.
 - Part III.D.4 of general permit UTR300000 identifies the minimum inspection requirements.
 - Part II.D.4.C identifies the minimum inspection report requirements.
 - Failure to complete and/or document storm water inspections is a violation of part III.D.4 of Utah General Permit UTR 300000.



Perspective View



Section

INSTALLATION

The silt fence should be installed prior to major soil disturbances in the drainage area. The fence should be placed across the slope along a line of uniform elevation wherever flow of sediment is anticipated. Table 1 shows generally-recommended maximum slope lengths (slope spacing between fences) at various site grades for most silt fence applications.

Slope Steepness (%)	Max. Slope Length (m (ft))
<2%	30.5m (100ft)
2-5%	22.9m (75ft)
5-10%	15.2m (50ft)
10-20%	7.6m (25ft)
>20%	4.5m (15ft)

PREFABRICATED SILT FENCE ROLLS

*Excavate a minimum 15.2cm x 15.2cm (6"x6") trench at the desired location.
*Unroll the silt fence, positioning the post against the downstream wall of the trench.
*Adjacent rolls of silt fence should be joined by nesting the end post of one fence into the other. Before nesting the end posts, rotate each post until the geotextile is wrapped completely around the post, then abut the end posts to create a tight seal as shown in Figure 1.
*Drive posts into the ground until the required fence height and/or anchorage depth is obtained.
*Bury the loose geotextile at the bottom of the trench in the upstream trench and backfill with natural soil, tamping the backfill to provide good compaction and anchorage. Figure 2 illustrates a typical silt fence installation and anchor trench placement.

should generally be less than three (3) times the height of the fence.
*If a steel or plastic mesh is required to reinforce the geotextile, it shall have a minimum mesh opening of 15.2cm (6").
*Fasten the mesh to the upslope side of the posts using heavy duty wire staples, tie wires or hog strings. Extend the mesh into the bottom of the trench.
*The geotextile shall then be stapled or wired to the posts. An extra 20-50cm (8-20") of geotextile shall extend into the trench.

INSPECTION

*Inspect the silt fence daily during periods of rainfall, immediately after significant rainfall event and weekly during periods of no rainfall. Make any repairs immediately.
*When sediment deposits behind the silt fence are one-third of the fence height, remove and properly dispose of the silt accumulations. Avoid damage to the fabric during cleanout.

REMOVAL

*Silt fence should not be removed until construction ceases and the upslope area has been properly stabilized and/or revegetated.

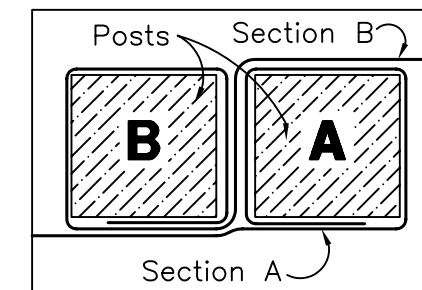


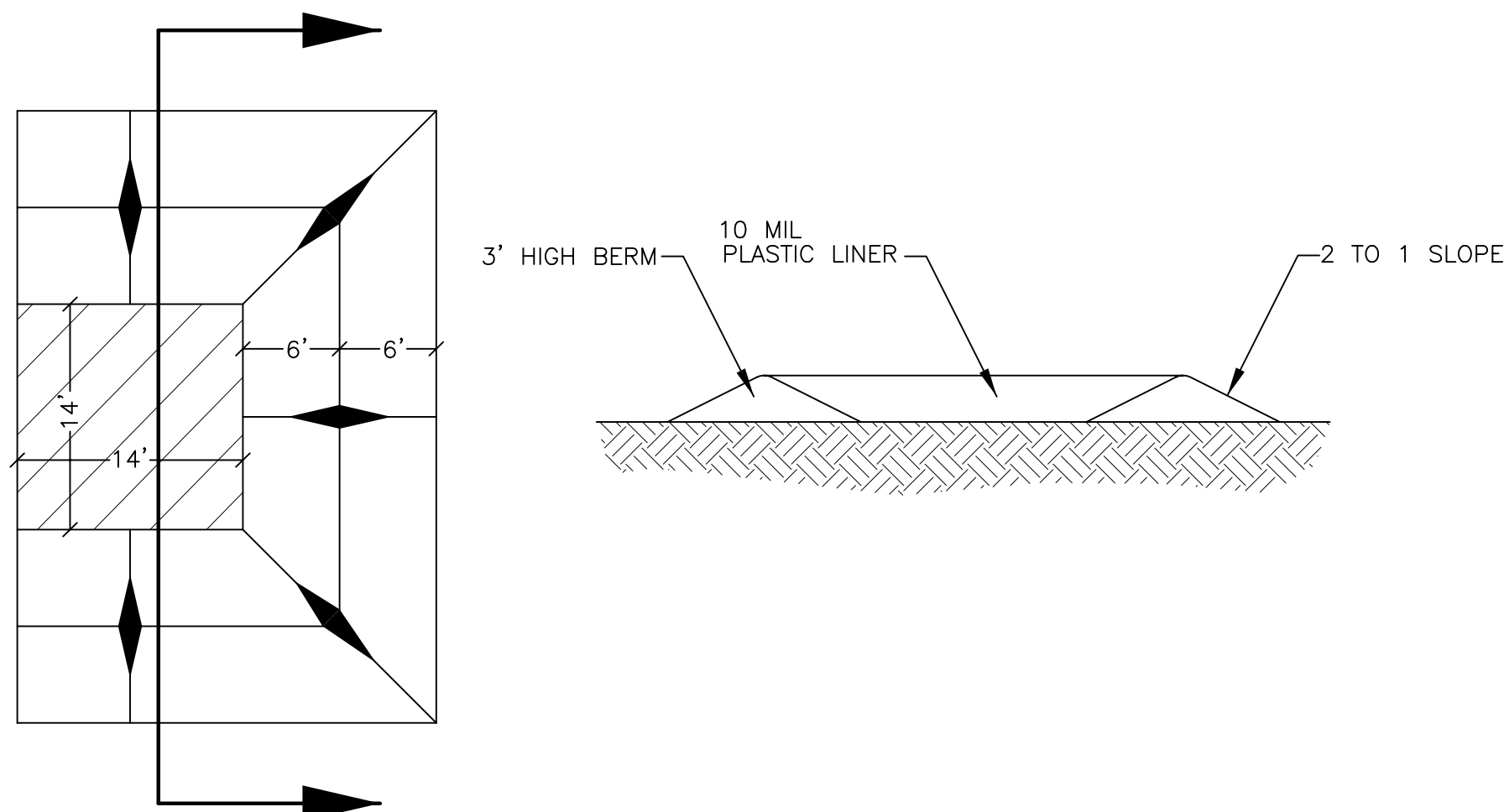
Figure 1:
Top View of Roll-to-Roll Connection

FIELD ASSEMBLY:

*Excavate a minimum 15.2cm x 15.2cm (6"x6") trench at the desired location.
*Drive wooden posts, or steel posts with fastening projections, against the downstream wall of the trench. Maximum post spacing should be 2.4-3.0m (8-10ft). Post spacing

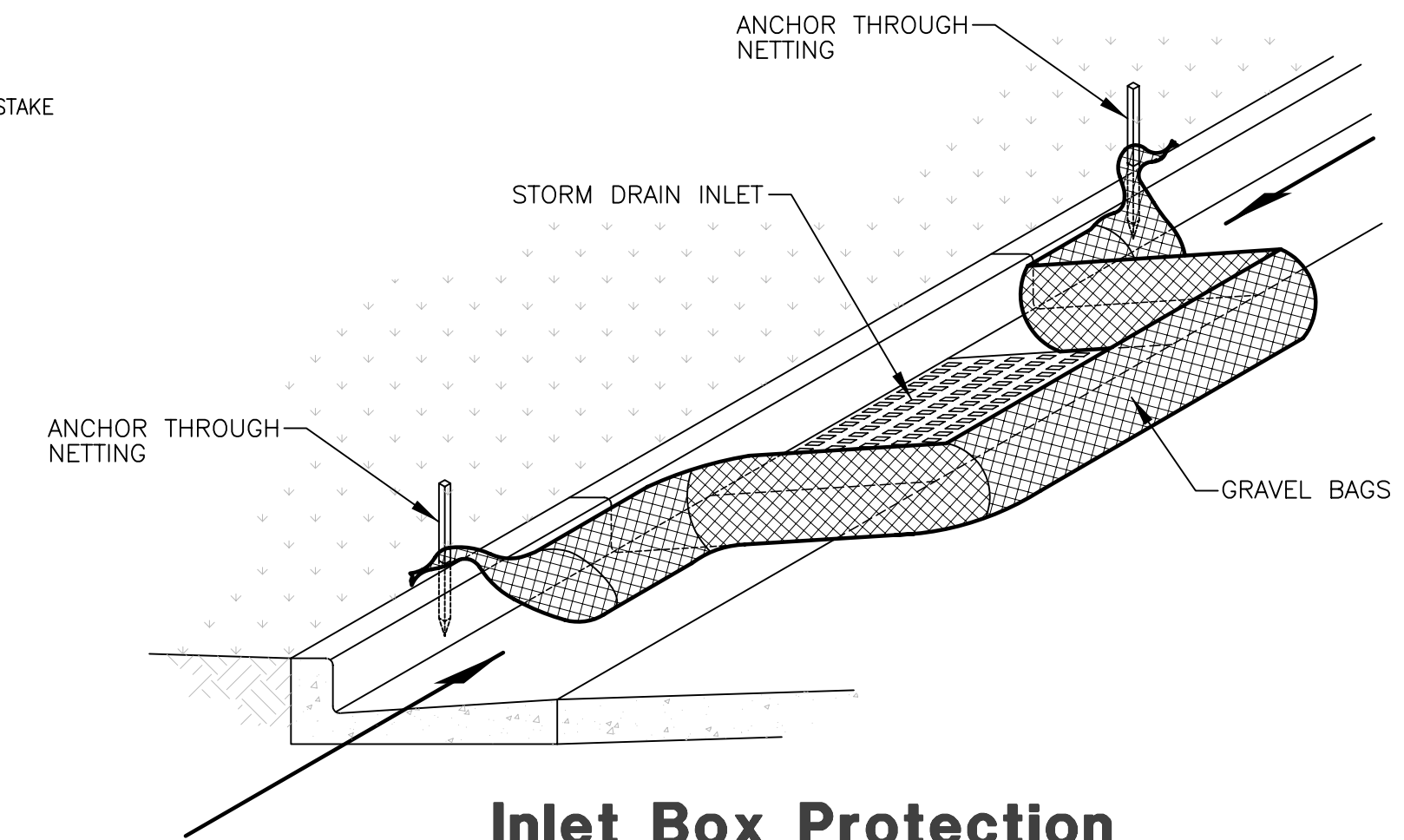
Silt Fence Detail

SCALE: NONE

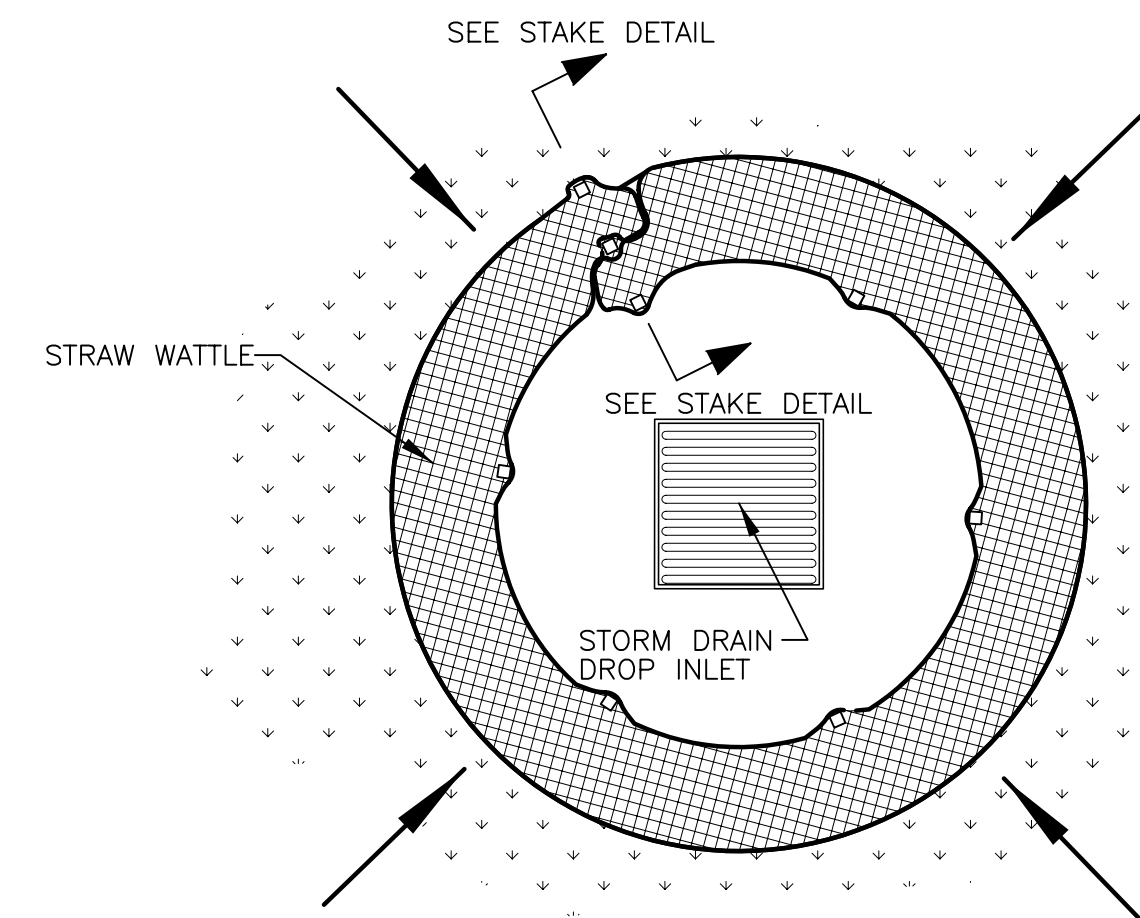


Concrete Washout Area w/ 10 mil Plastic Liner

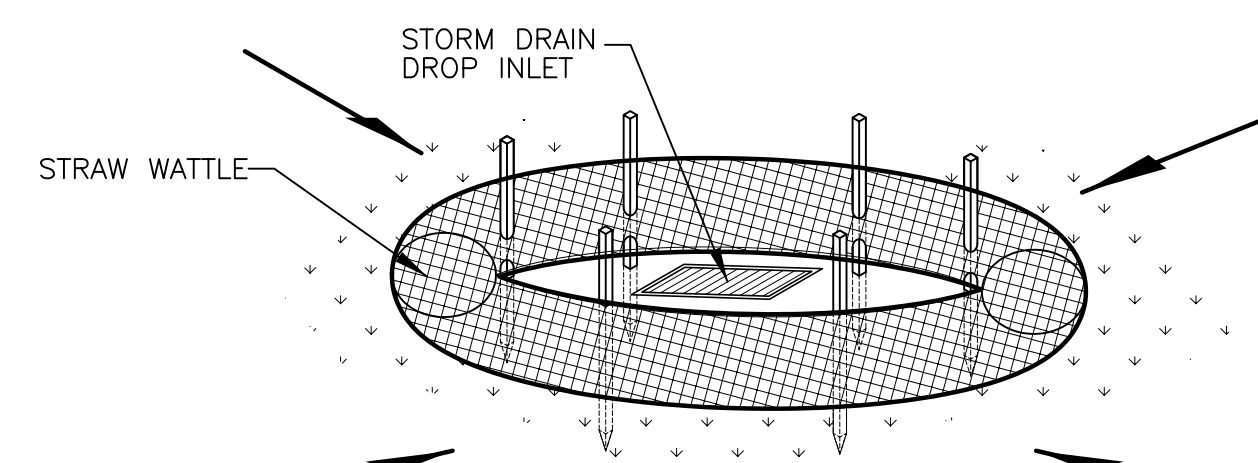
SCALE: NONE



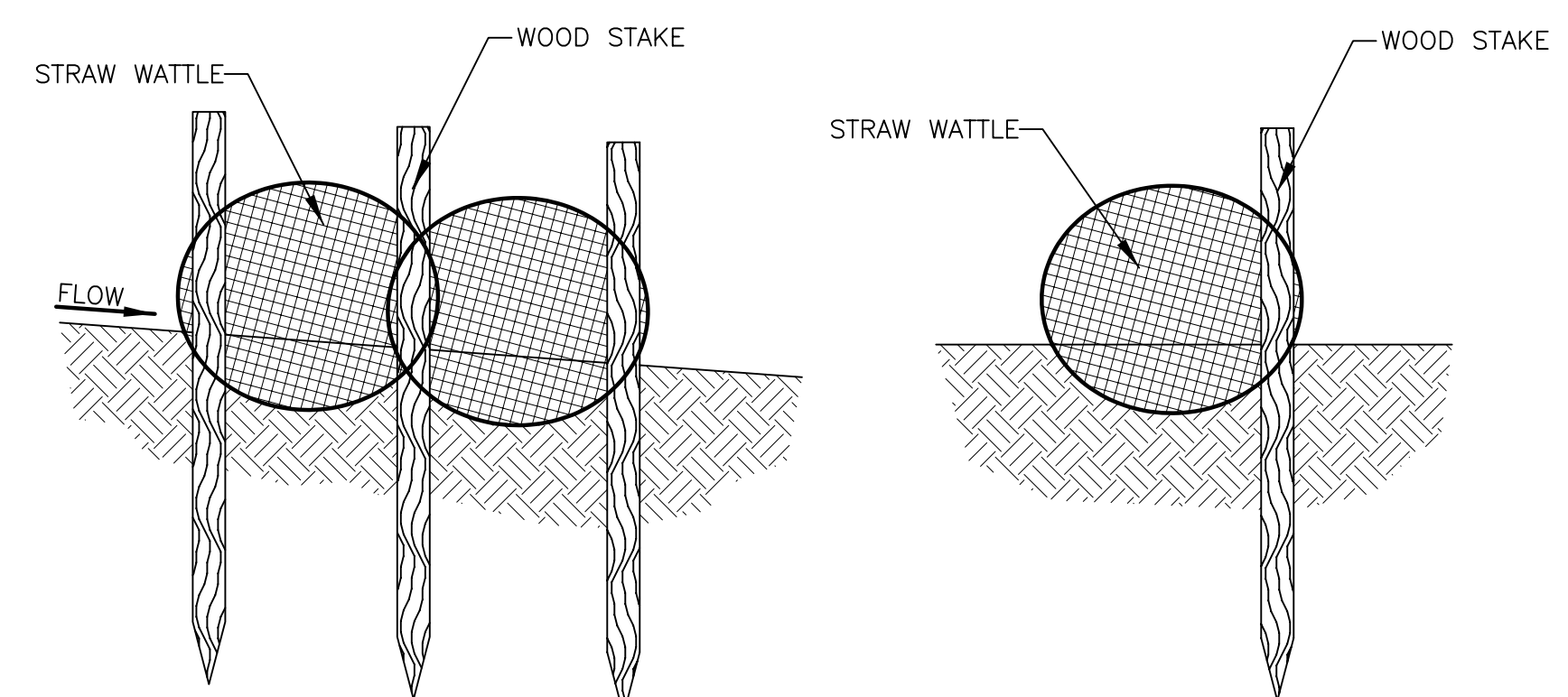
Inlet Box Protection



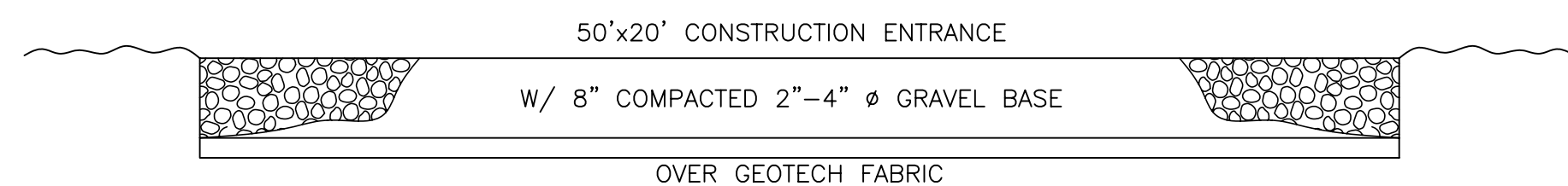
Plan View



Drop Inlet Protection



Stake Detail



Cross Section 50' x 20' Construction Entrance



REVISIONS	DATE	DESCRIPTION
	4-14-11	RH County Comments
	6-15-11	RH County Comments

Fenster Farm Subdivision Phase-1
WARREN, WEBER COUNTY, UTAH
Storm Water Pollution Prevention Plan Exhibit

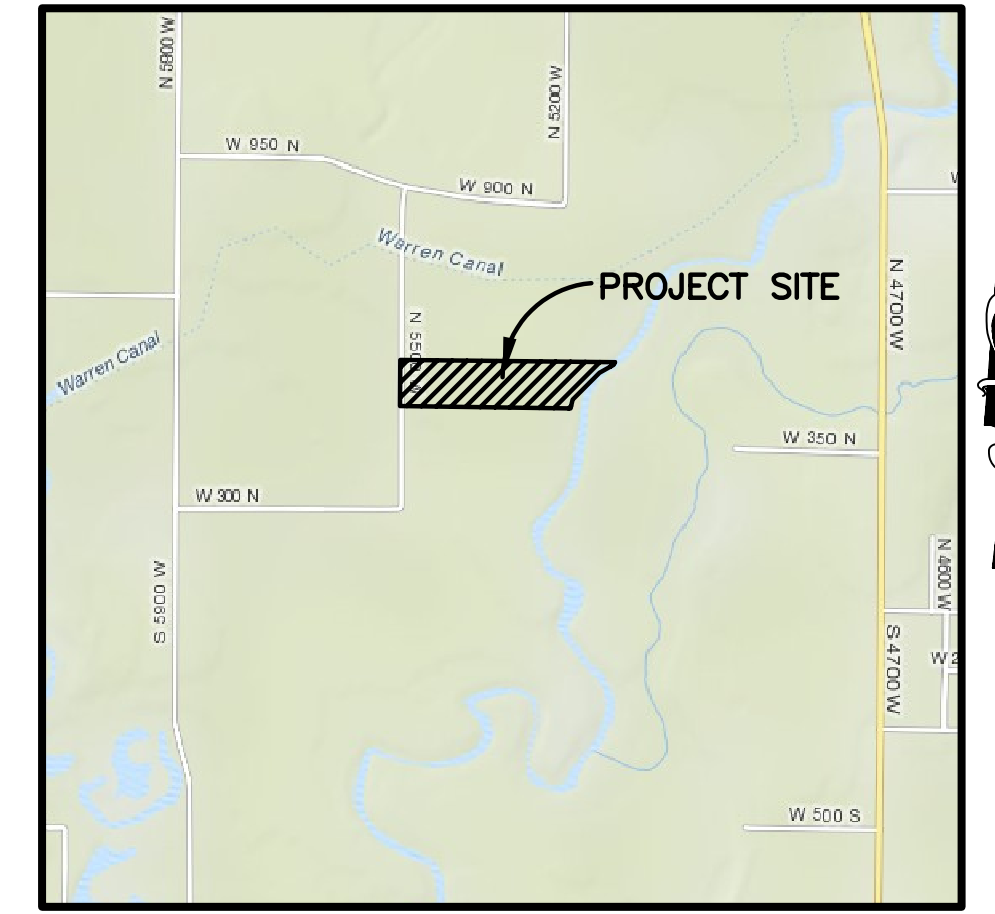


Project Info.
Engineer: J. NATE REEVE, P.E.
Drafter: R. HANSEN
Begin Date: MARCH 16, 2011
Name: FENSTER FARM SUBDIVISION PHASE-1
Number: 1714-26

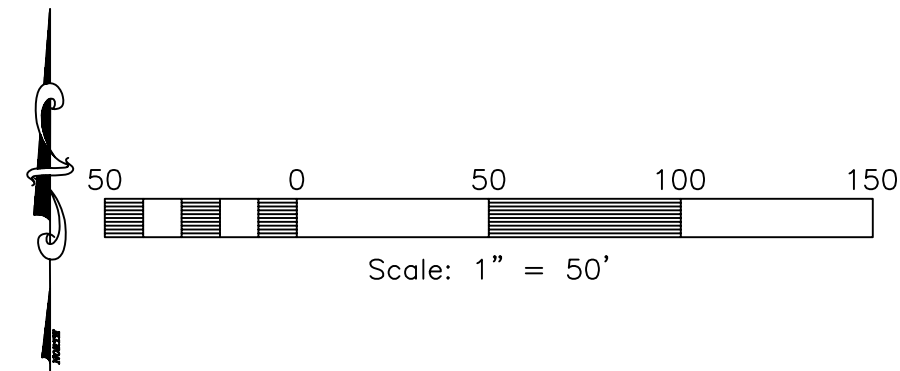
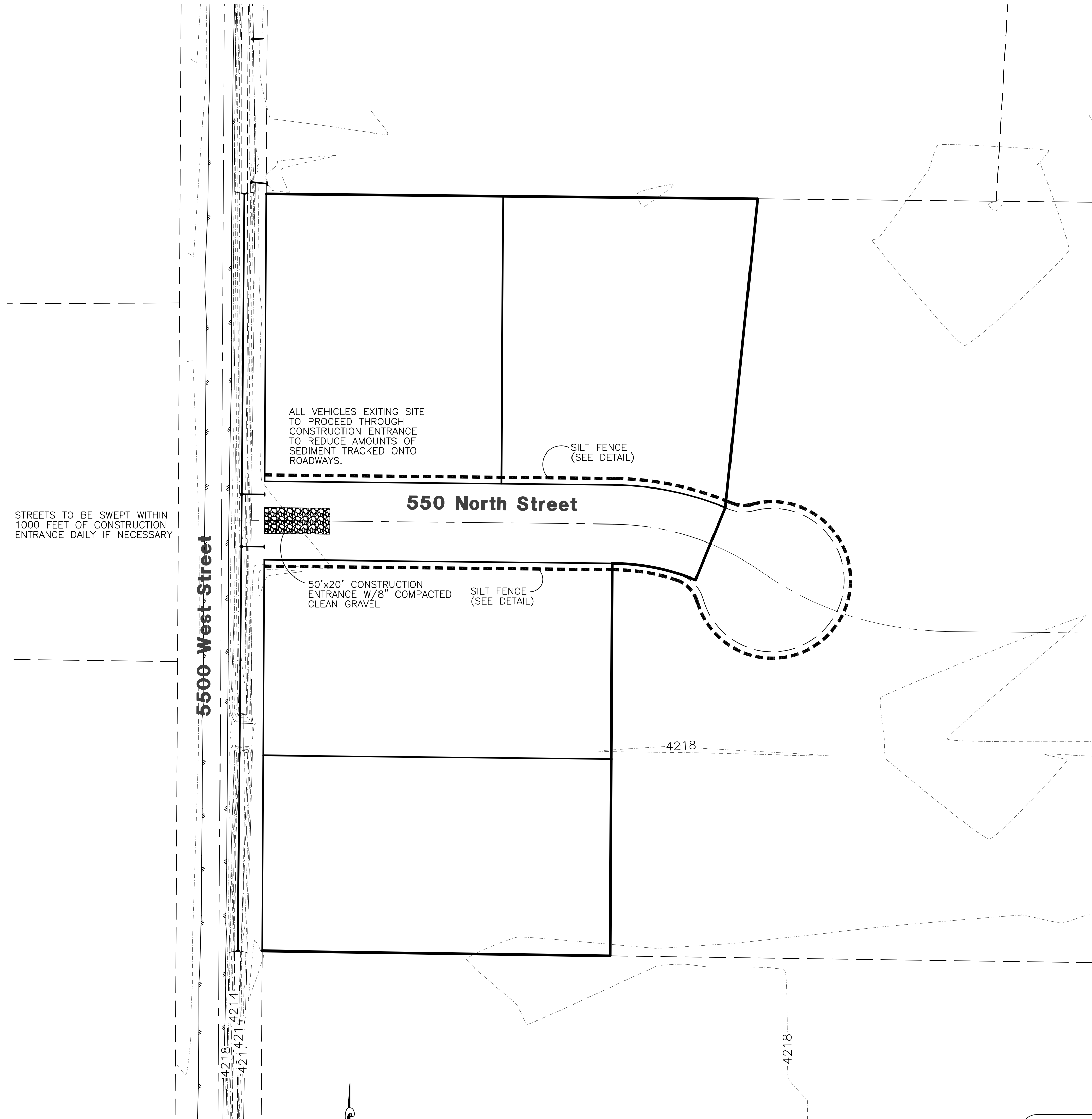
Sheet **6** of 6 Sheets

FENSTER FARM SUBDIVISION Phase-1 Storm Water Pollution Prevention Plan Exhibit

WARREN, WEBER COUNTY, UTAH
MARCH, 2011



Vicinity Map
NOT TO SCALE



Construction Activity Schedule	
- PROJECT LOCATION.....	WARREN, WEBER COUNTY, UTAH
- PROJECT BEGINNING DATE.....	MARCH 2011
- BMP'S DEPLOYMENT DATE.....	MARCH 2011
- STORM WATER MANAGEMENT CONTACT / INSPECTOR.....	ALLAN KARRAS (801) 564-0909
- SPECIFIC CONSTRUCTION SCHEDULE INCLUDING BMP CONSTRUCTION SCHEDULE TO BE INCLUDED WITH SWPPP BY OWNER/DEVELOPER	

Reeve & Associates, Inc.
4155 S. HARRISON BLVD., SUITE 310, OGDEN, UTAH 84403
TEL: (801) 621-3100 FAX: (801) 621-3668 www.reeve-assoc.com
TRAFFIC ENGINEERS • STRUCTURAL ENGINEERS • LANDSCAPE ARCHITECTS

REVISIONS	DATE	DESCRIPTION
4-14-11	RH	County Comments
6-15-11	RH	County Comments

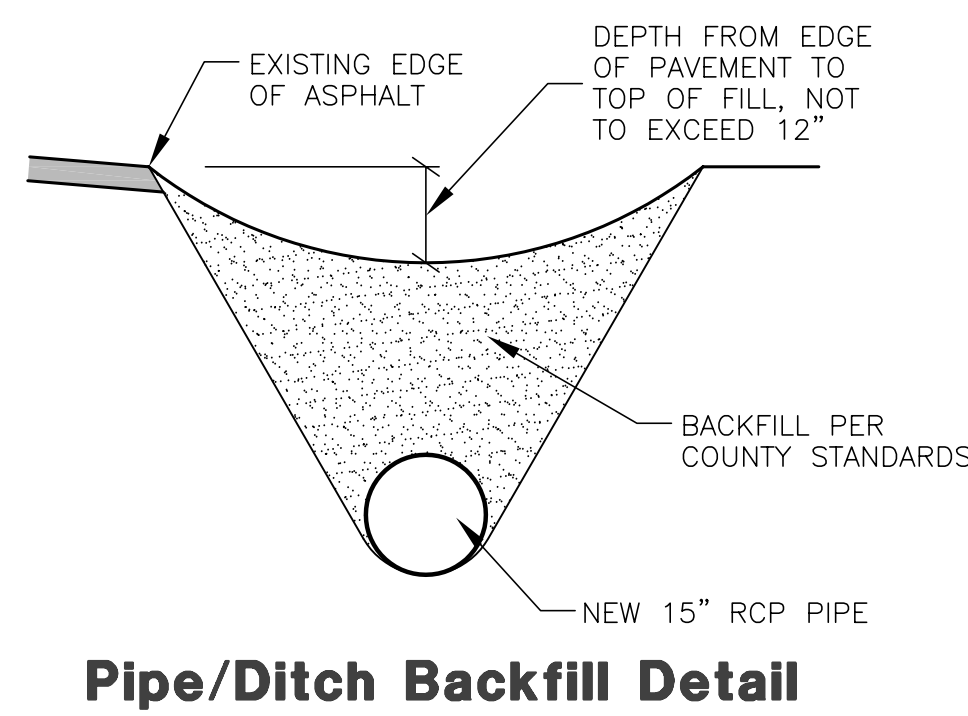
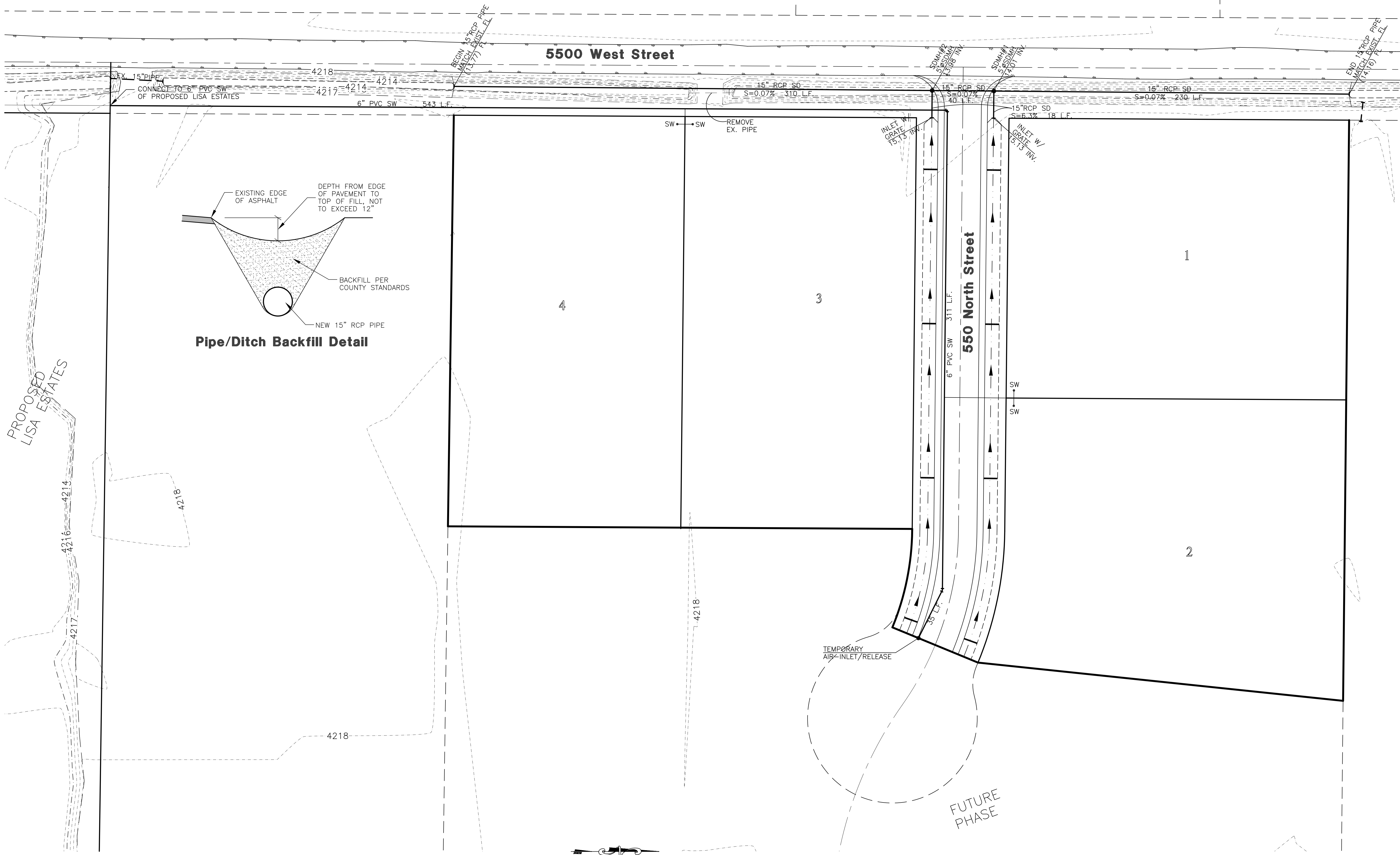
**Fenster Farm Subdivision
Phase-1**
WARREN, WEBER COUNTY, UTAH

**Storm Water Pollution
Prevention Plan Exhibit**



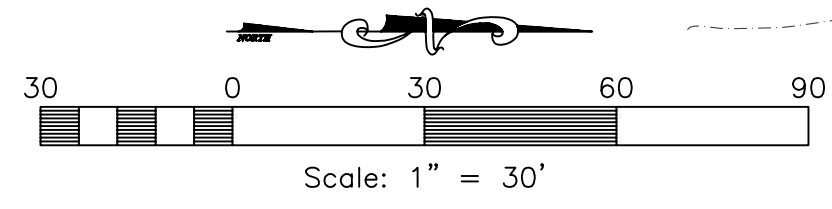
Project Info.	
Engineer:	J. NATE REEVE, P.E.
Drafter:	R. HANSEN
Begin Date:	MARCH 16, 2011
Name:	FENSTER FARM SUBDIVISION PHASE-1
Number:	1714-26

Sheet	6
5	Sheets



PROPOSED LISA ESTATES

FUTURE PHASE

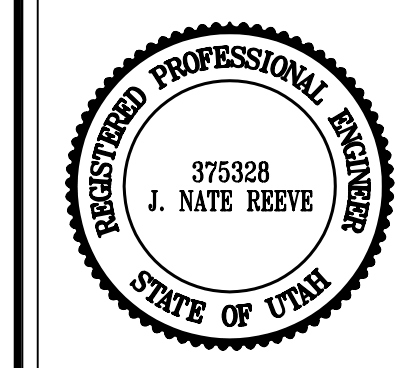


Reeve & Associates, Inc.
 4155 S. HARRISON BLVD., SUITE 310, OGDEN, UTAH 84403
 TEL: (801) 621-3100 FAX: (801) 621-2668 www.reeve-assoc.com
 RPTG. ENGINEERS • STRUCTURAL ENGINEERS • LANDSCAPE ARCHITECTS

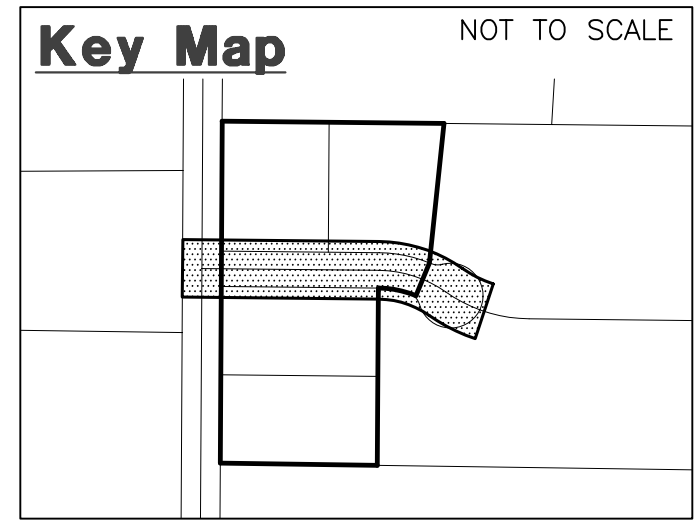
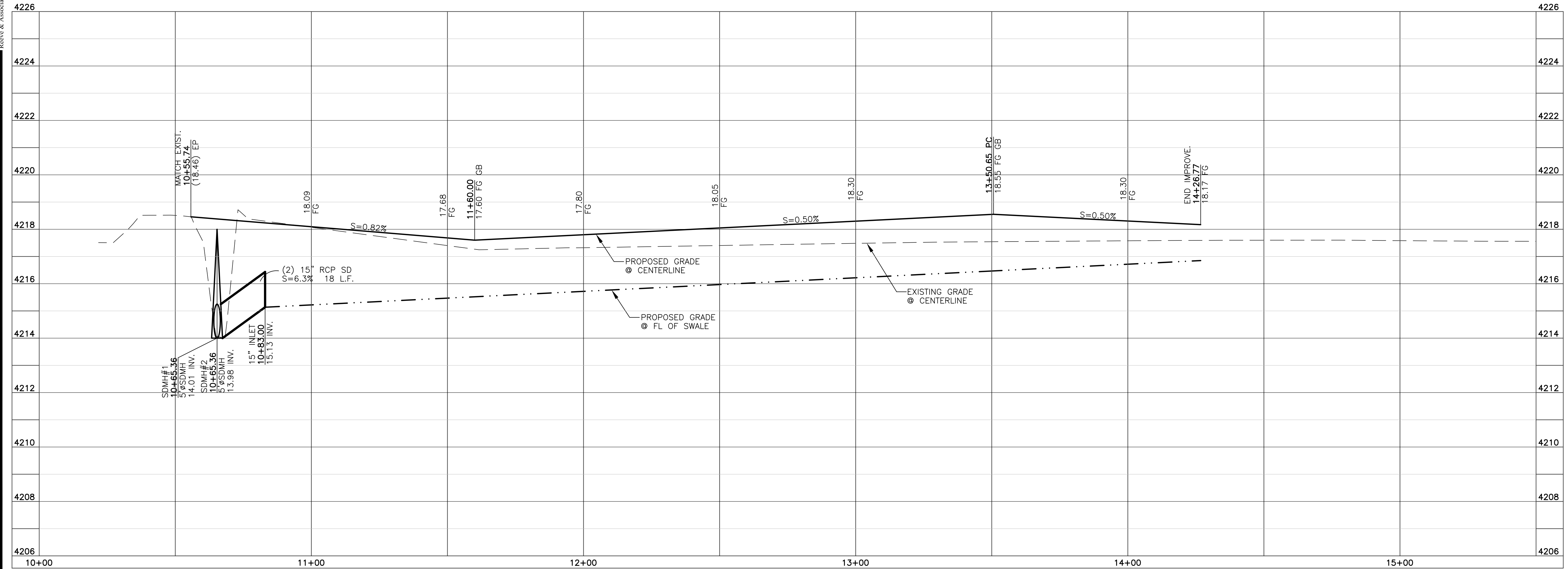
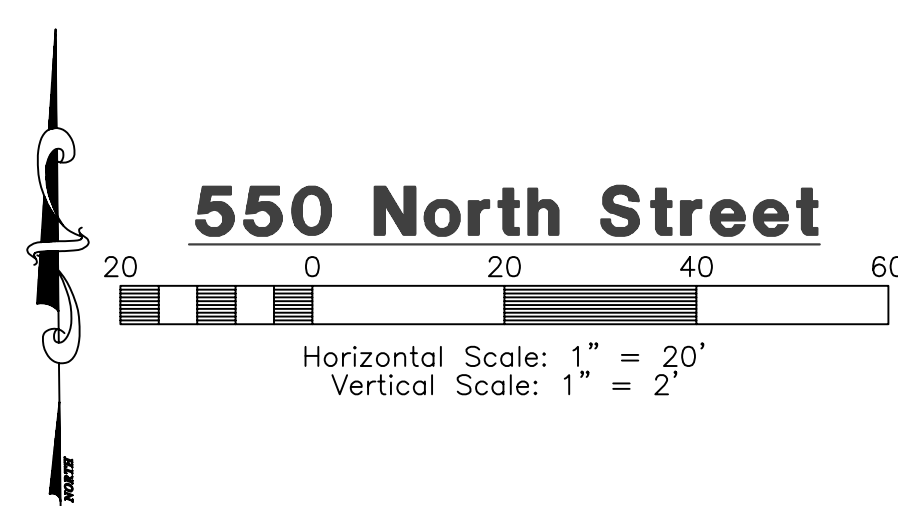
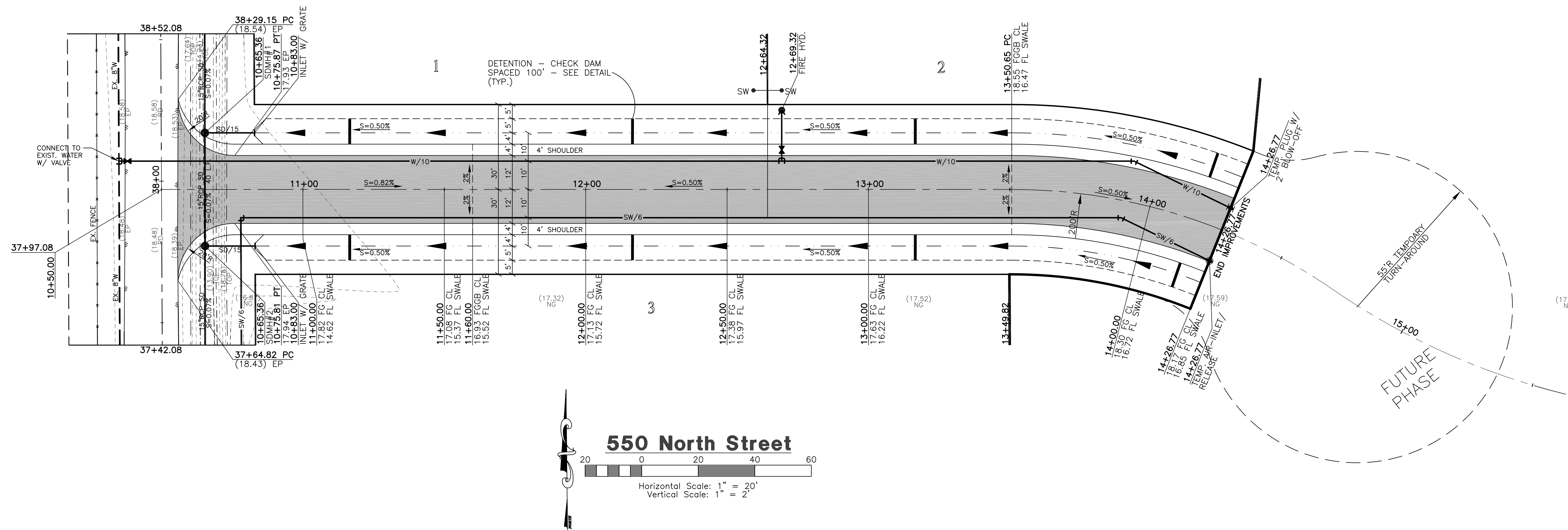
DATE	REVISIONS	DESCRIPTION
4-14-11	RH	County Comments
6-15-11	RH	County Comments

Fenster Farm Subdivision Phase-1
 WARREN, WEBER COUNTY, UTAH

Overall Secondary Water Plan & 5500 West Ditch Piping Plan



Project Info.
 Engineer: J. NATE REEVE, P.E.
 Drafter: R. HANSEN
 Begin Date: MARCH 16, 2011
 Name: FENSTER FARM SUBDIVISION PHASE-1
 Number: 1714-26



- Construction Notes:**
- 1) ALL CONSTRUCTION IS TO CONFORM TO THE STANDARD DRAWINGS AND SPECIFICATIONS OF WEBER COUNTY.
- CULINARY WATER**
W/10 - 10" PVC C-900 CLASS 200 WATER
- STORM DRAIN**
SD/15 - 15" RCP STORM DRAIN
- SECONDARY WATER**
SW/6 - 6" PVC C-900 SECONDARY WATER LINE

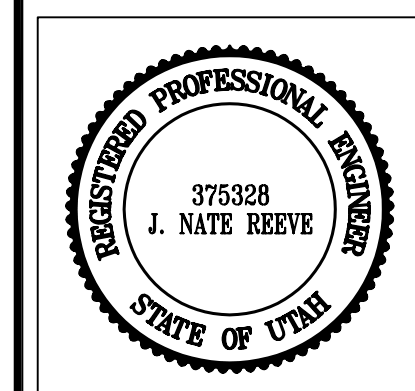
Reeve & Associates, Inc.
4155 S. HARRISON BLVD., SUITE 310, OGDEN, UTAH 84403
TEL: (801) 621-3100 FAX: (801) 621-2668 www.reeve-assoc.com

RA

REVISIONS	DATE	DESCRIPTION
4-14-11	RH	County Comments
6-15-11	RH	County Comments

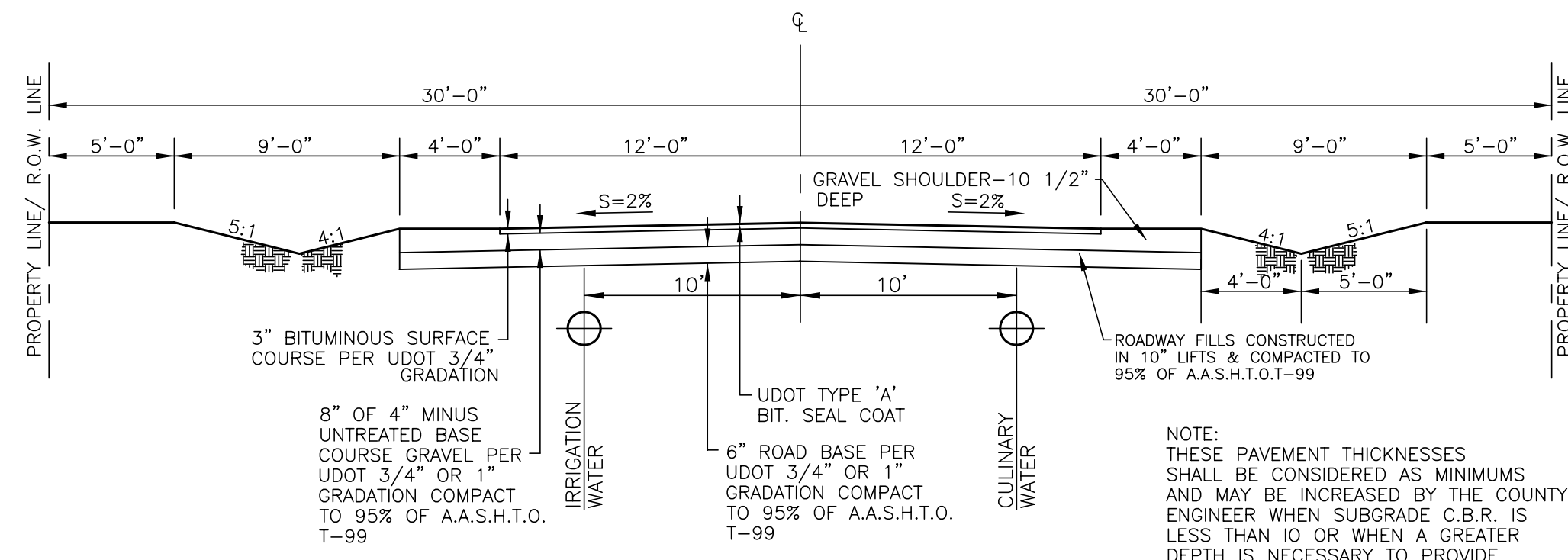
Fenster Farm Subdivision Phase-1
WARREN, WEBER COUNTY, UTAH

550 North Street
10+00.00 - 15+50.00



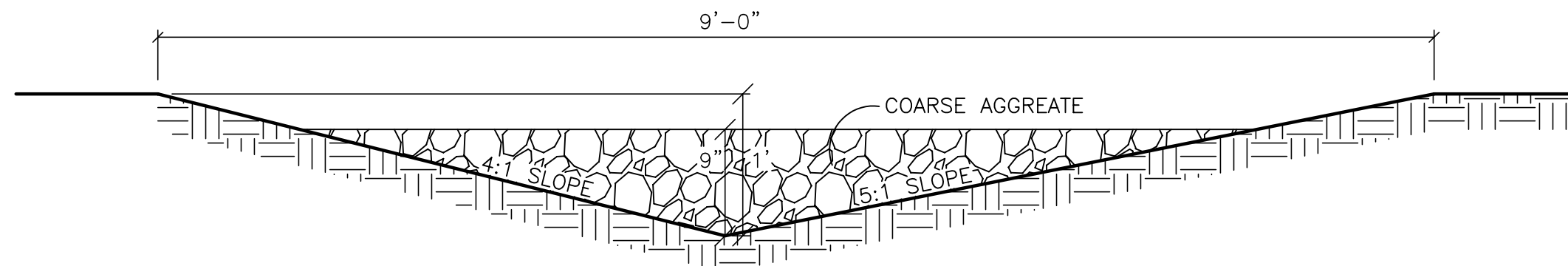
Project Info.
Engineer: J. NATE REEVE, P.E.
Drafter: R. HANSEN
Begin Date: MARCH 16, 2011
Name: FENSTER FARM SUBDIVISION PHASE-1
Number: 1714-26

Blue Stakes Location Center
Call: Toll Free 1-800-662-4111
Two Working Days Before You Dig

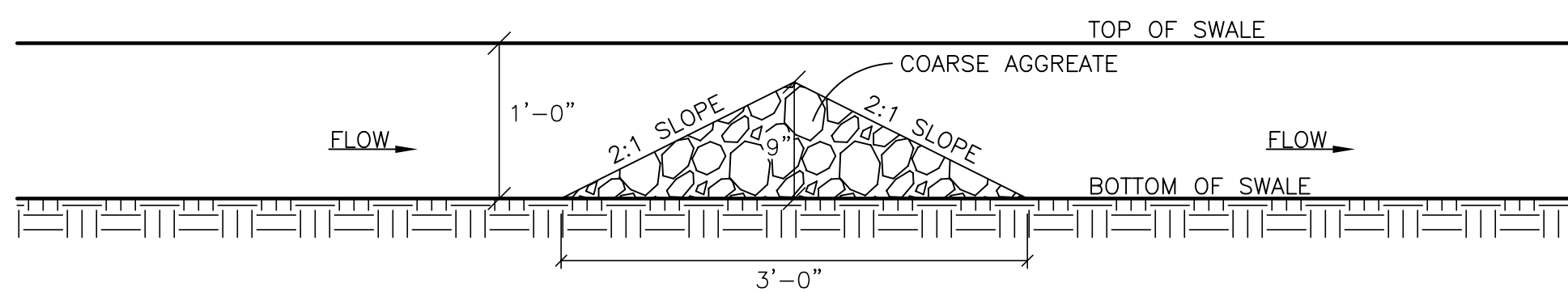


Street Section (60' R.O.W.)
SCALE: NONE

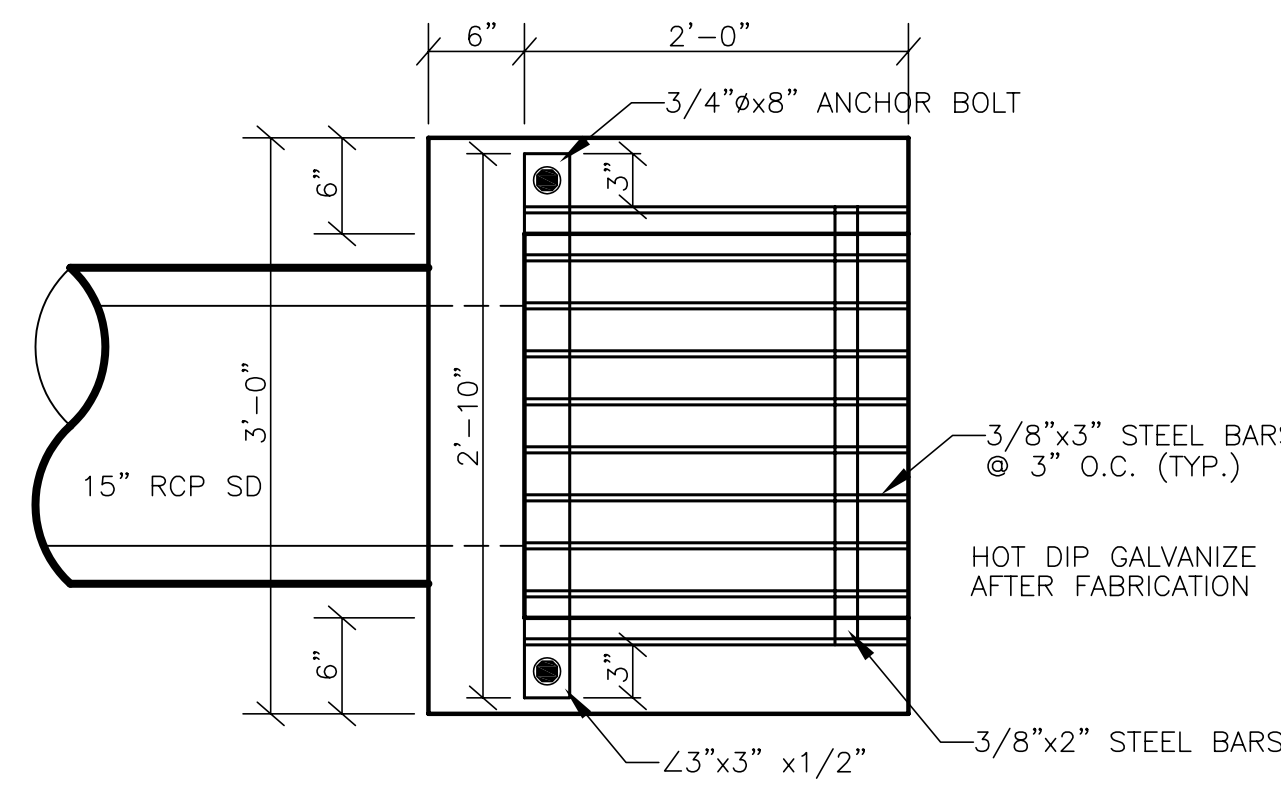
NOTE:
THESE PAVEMENT THICKNESSES SHALL BE CONSIDERED AS MINIMUMS AND MAY BE INCREASED BY THE COUNTY ENGINEER WHEN SUBGRADE C.B.R. IS LESS THAN 10 OR WHEN A GREATER DEPTH IS NECESSARY TO PROVIDE SUFFICIENT STABILITY. DESIGNER MAY SUBMIT AN ALTERNATIVE PAVEMENT DESIGN BASED ON A DETAILED SOILS ANALYSIS FOR



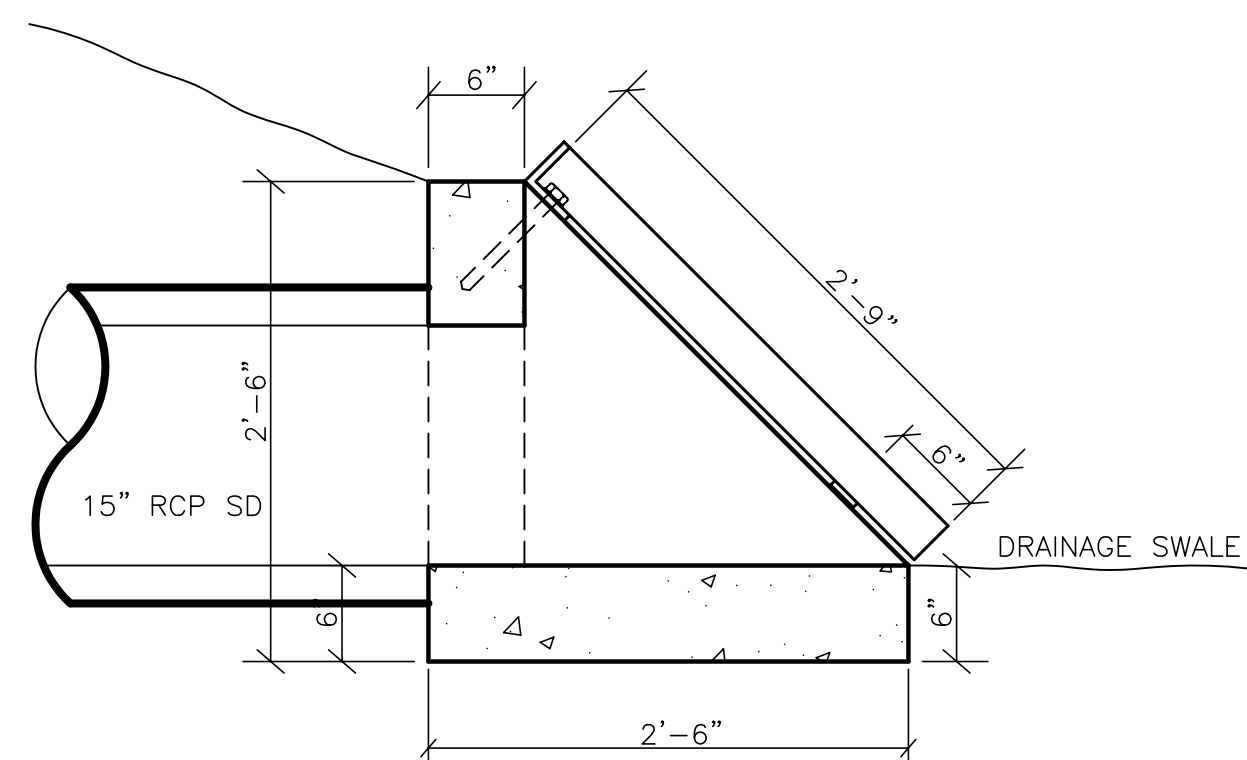
Swale Detail W/ Coarse Aggregate
SCALE: NONE



Swale Detail W/ Rock Check Dam
SCALE: NONE



15' Inlet w/Grate
SCALE: 1"=1'



Legend

—W— = PROPOSED CULINARY WATER LINE	□ = EXISTING CATCH BASIN	L.F. = LINEAR FEET
---EX.W--- = EXISTING CULINARY WATER LINE	⊙ = EXISTING SPRINKLER	NG = NATURAL GRADE
—SS— = PROPOSED SANITARY SEWER LINE	⊕ = PLUG W/ 2" BLOW-OFF	O.C. = ON CENTER
---EX.SS--- = EXISTING SANITARY SEWER LINE	⊙ = AIR-VAC ASSEMBLY	PC = POINT OF CURVE
—SD— = PROPOSED STORM DRAIN LINE	▼ = PROPOSED REDUCER	PRC = POINT OF REVERSE CURVE
---EX.SD--- = EXISTING STORM DRAIN LINE	⊕ = PLUG & BLOCK	PRVC = POINT OF REVERSE VERTICAL CURVE
—LD— = PROPOSED LAND DRAIN LINE	⊙ = STREET LIGHT	PT = POINT OF TANGENT
---EX.LD--- = EXISTING LAND DRAIN LINE	⊕ = SIGN	PP = POWER/UTILITY POLE
—SW— = PROPOSED SECONDARY WATER LINE	BLDG = BUILDING	P.U.E. = PUBLIC UTILITY EASEMENT
---EX.SW--- = EXISTING SECONDARY WATER LINE	BVC = BEGIN VERTICAL CURVE	R/C = REBAR & CAP
—IRR— = PROPOSED IRRIGATION LINE	C&G = CURB & GUTTER	RCB = REINFORCED CONCRETE BOX
---EX.IRR--- = EXISTING IRRIGATION LINE	CB = CATCH BASIN	RCP = REINFORCED CONCRETE PIPE
---OHP--- = EXISTING OVERHEAD POWER LINE	C.F. = CUBIC FEET	RIM = RIM OF MANHOLE
---TEL--- = EXISTING TELEPHONE LINE	C.F.S. = CUBIC FEET PER SECOND	R.O.W. = RIGHT-OF-WAY
---GAS--- = EXISTING NATURAL GAS LINE	CL = CENTERLINE	SD = STORM DRAIN
---EOP--- = EXISTING EDGE OF PAVEMENT	DI = DUCTILE IRON	SS = SANITARY SEWER
⊗ ⊗ ⊗ = FENCE LINE	EP = EDGE OF PAVEMENT	SW = SECONDARY WATER
—■— = MASONRY BLOCK/RETAINING WALL	EVC = END VERTICAL CURVE	TBC = TOP BACK OF CURB
— — = DITCH/SWALE FLOWLINE	FC = FENCE CORNER	TOE = TOE OF SLOPE
⊙ = PROPOSED FIRE HYDRANT	FF = FINISH FLOOR	TOP = TOP OF SLOPE
⊙ = EXISTING FIRE HYDRANT	FFE = FINISH FLOOR ELEVATION	TOW = TOP OF WALL
⊙ = PROPOSED MANHOLE	FG = FINISHED GRADE	TSW = TOP OF SIDEWALK
⊙ = EXISTING MANHOLE	FH = FIRE HYDRANT	VPI = VERTICAL POINT OF INTERSECT.
⊙ = PROPOSED SEWER CLEAN-OUT	FL = FLOW LINE	W = CULINARY WATER
⊗ = PROPOSED GATE VALVE	GB = GRADE BREAK	WM = WATER METER
⊗ = EXISTING GATE VALVE	HDPE = HIGH DENSITY POLYETHYLENE PIPE	■ = NEW PAVEMENT
⊕ = PROPOSED WATER METER	INV = INVERT	■ = NEW CONCRETE
⊕ = EXISTING WATER METER	IRR = IRRIGATION	
■ = PROPOSED CATCH BASIN	LD = LAND DRAIN	

General Notes

- ALL CONSTRUCTION ON THIS PROJECT SHALL CONFORM TO THE DEVELOPMENT STANDARDS OF WEBER COUNTY AND THE STANDARD DRAWINGS CONTAINED THEREIN. WEBER COUNTY PUBLIC WORKS REQUIREMENTS SHALL BE MET.
- THE LOCATION OF EXISTING UTILITIES SHOWN ARE APPROXIMATE ONLY AND THE CONTRACTOR SHALL VERIFY THE LOCATION AND ELEVATION OF ALL UTILITIES SHOWN OR NOT SHOWN ON THESE PLANS.
- THE STREET STRUCTURAL CROSS SECTION IS PER WEBER COUNTY DETAILS CONTAINED WITHIN THESE PLANS.
- WATER LINE PIPE SHALL BE PVC C-900 CLASS 200. WASHOUT ASSEMBLIES SHALL CONSIST OF A KUPFERLE FOUNDRY CO. 2" BLOW-OFF HYDRANT (OR COUNTY-APPROVED EQUIV.).
- SECONDARY WATER LINE SHALL BE PVC C-900 CLASS 200. ALL SECONDARY WATER VALVE LIDS SHALL BE STAMPED "IRRIGATION".

Reeve & Associates, Inc. - Solutions You Can Build On

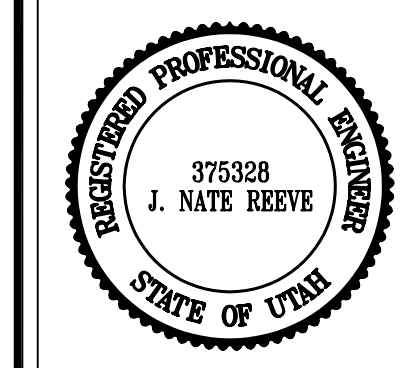
Reeve & Associates, Inc.
4155 S. HARRISON BLVD., SUITE 310, OGDEN, UTAH 84403
TEL: (801) 621-3100 FAX: (801) 621-2668 www.reeve-assoc.com
RAMP, BRIDGE & STRUCTURAL ENGINEERS • LANDSCAPE ARCHITECTS

REVISIONS	DATE	DESCRIPTION
	4-14-11	RH County Comments
	6-15-11	RH County Comments

Reeve & Associates, Inc. - Solutions You Can Build On

Fenster Farm Subdivision Phase-1
WARREN, WEBER COUNTY, UTAH

Street Cross-Sections/ Master Legend/Notes



Project Info.
Engineer: J. NATE REEVE, P.E.
Drafter: R. HANSEN
Begin Date: MARCH 16, 2011
Name: FENSTER FARM SUBDIVISION PHASE-1
Number: 1714-26

Revised 6-15-11