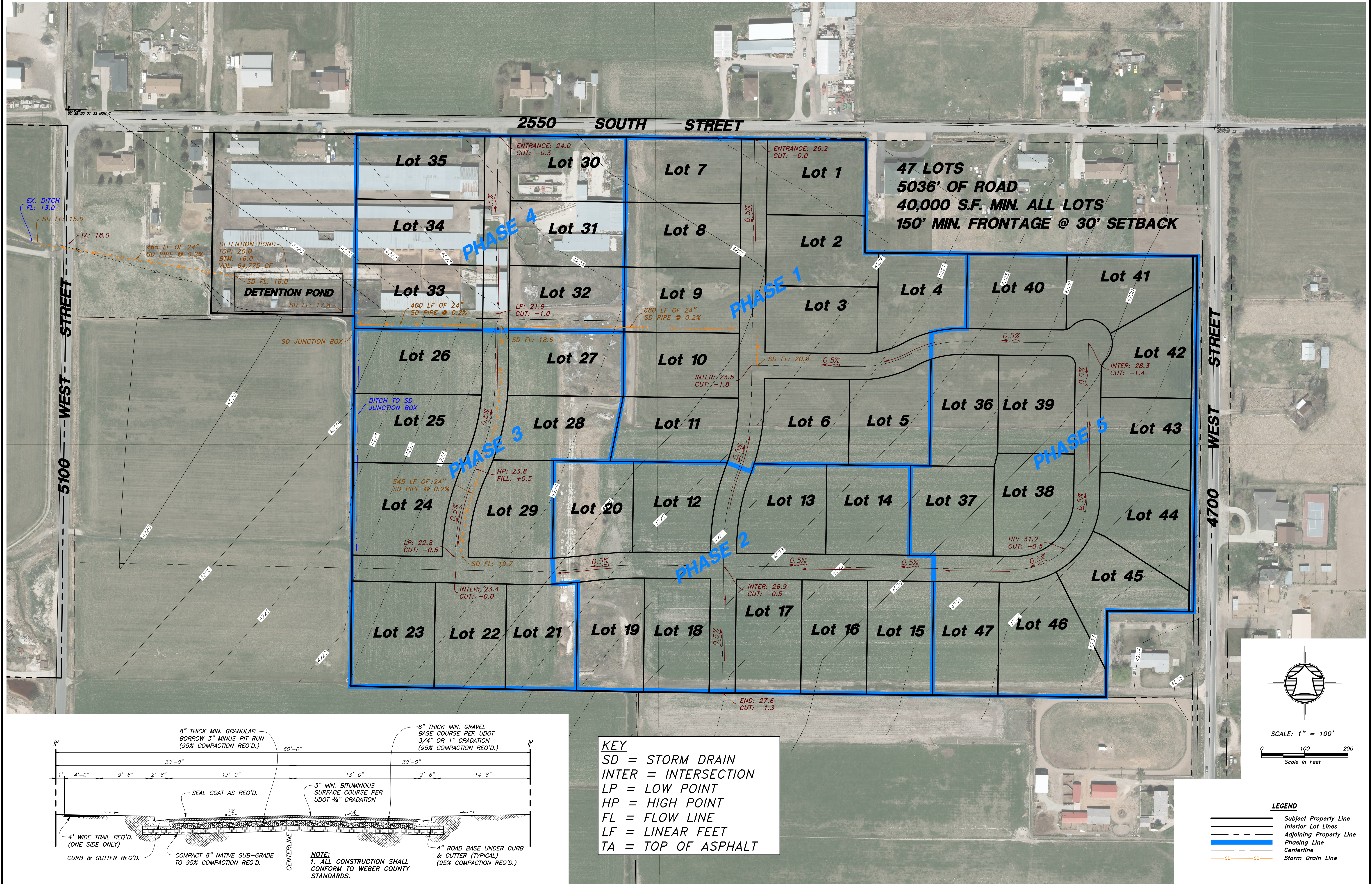


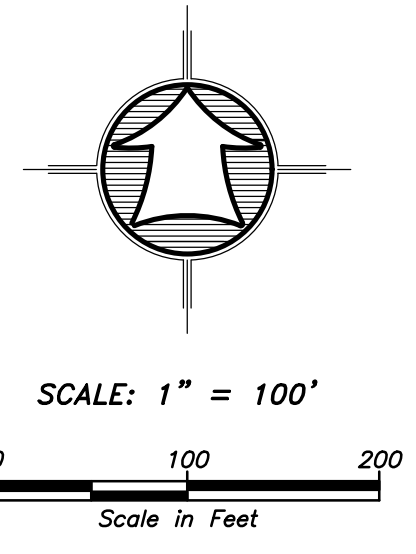
SUN CREST MEADOWS

ON-SITE DRAINAGE PLAN

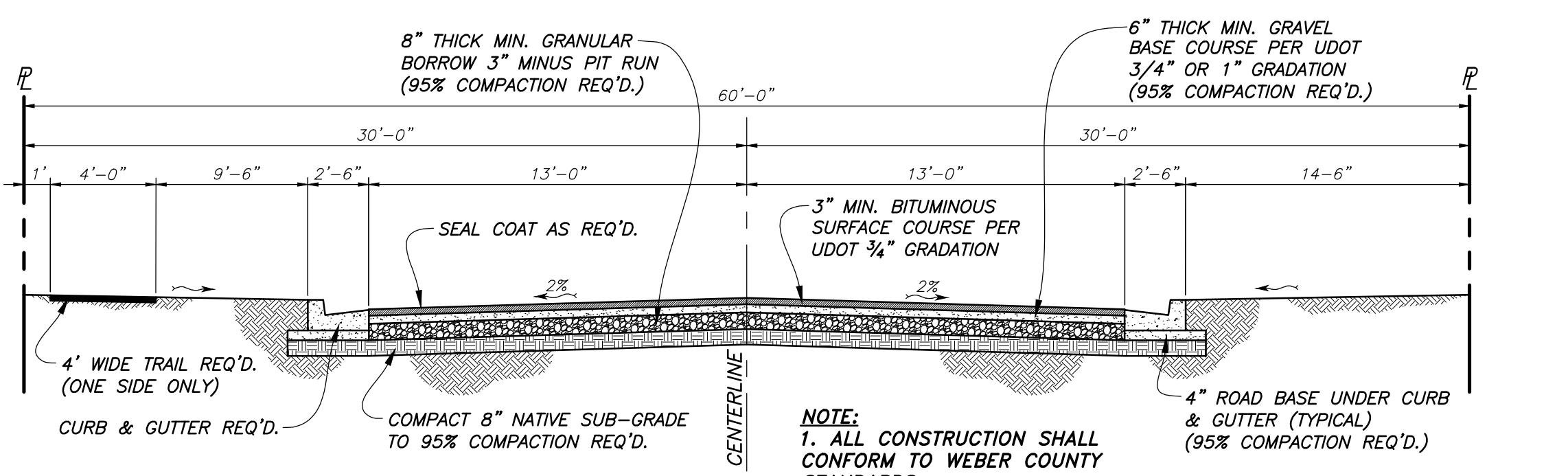


**47 LOTS
5036' OF ROAD
40,000 S.F. MIN. ALL LOTS
150' MIN. FRONTAGE @ 30' SETBACK**

KEY
 SD = STORM DRAIN
 INTER = INTERSECTION
 LP = LOW POINT
 HP = HIGH POINT
 FL = FLOW LINE
 LF = LINEAR FEET
 TA = TOP OF ASPHALT



LEGEND
 ——— Subject Property Line
 - - - Interior Lot Lines
 - - - Adjoining Property Line
 ——— Phasing Line
 ——— Centerline
 ——— Storm Drain Line



TYPICAL ROAD SECTION
NOT TO SCALE

HANSEN & ASSOCIATES, INC. Consulting Engineers and Land Surveyors 538 North Main Street, Brigham, Utah 84302 Visit us at www.hansen.net Brigham City, Ogden (435) 723-3491 (801) 399-4905 (435) 752-8272			
Drawn By: MTH	Date: 01/26/17		
Designed By:			
Checked By:			
Approved By:			
Scale: 1" = 100'			
Drawing File: 16-105 OPT 10a.DWG			
JOB NUMBER: 16-105			
SUN CREST MEADOWS			
ON-SITE DRAINAGE PLAN FOR 2550 NORTH 4900 WEST TAYLOR, UT 84401			
Sheet	2		
of	4		
Sheets			
No.	Date	By	Revision